

# Surge Protection Made Simple™ for IEC Applications

## IEC Class II Surge Arrester for 120/240 and 230/400 Volt, 3-Pole TNC Systems



### Description

The Cooper Bussmann® IEC Class II 120/240 volt and 230/400 volt, three-pole, modular surge arresters feature local, *easyID*™ visual indication and optional remote contact signaling. The unique module locking system fixes the protection module to the base part. Modules can be easily replaced without tools by simply depressing the release buttons. Integrated mechanical coding between the base and protection module ensures against installing an incorrect replacement module.

120 Volt models are offered with a MCOV rating of 150 volts.

230 Volt models are offered with a MCOV rating of 275 or 385 volts.

### TNC System Arresters

The features of these three-pole devices are for use in TN-C 120/240 volt or 230/400 volt systems ("3-0" circuit) against surges.

### Remote Signaling Contact

The three-pole terminal remote signaling contact versions have a floating changeover contact for use as a break or make contact, according to circuit concept.



**BSPM3150TNC(R)**  
**BSPM3275TNC(R)**  
**BSPM3385TNC(R)**



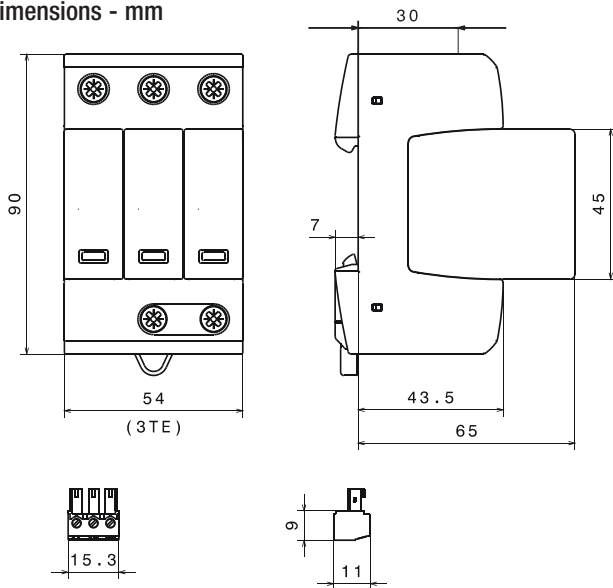
*easyID*™  
Visual Status Indication



Remote Signal Contact Available

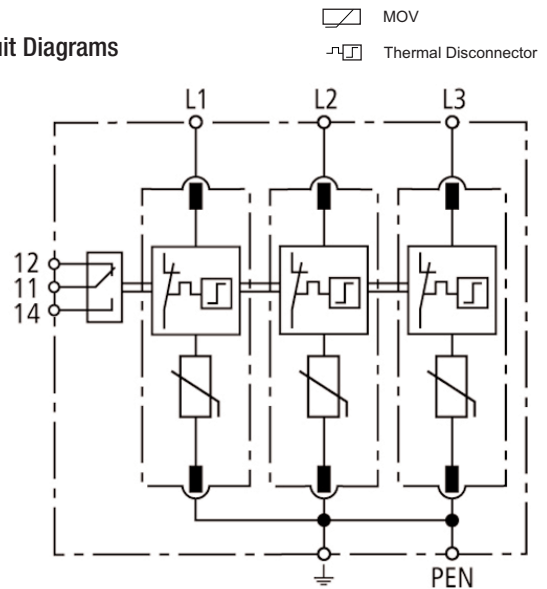


### Dimensions - mm



Shown with optional remote contact signaling

### Circuit Diagrams



**BSPM3150TNC(R), BSPM3275TNC(R), BSPM3385TNC(R)**

Shown with optional remote contact signaling

ORDERING INFORMATION			
System Voltage/Poles		120V/3	230V/3
Max. Continuous operating AC voltage (MCOV) [U <sub>C</sub> ]		150V	275V
Catalog Numbers:	Without Remote Signaling	BSPM3150TNC	BSPM3275TNC
	With Remote Signaling	BSPM3150TNCR	BSPM3275TNCR
Replacement Module	MOV technology	BPM150IEC	BPM275IEC
			BPM385IEC
SPECIFICATIONS			
Nominal AC voltage [U <sub>N</sub> ]		120/240V	230/400V
Voltage protection level [U <sub>p</sub> ]		≤ 0.7kV	≤ 1.25kV
Voltage protection level at 5kA [U <sub>p</sub> ]		≤ 0.55kV	≤ 1kV
Short-circuit withstand capability for max. mains-side overcurrent protection		50kA <sub>rms</sub>	50kA <sub>rms</sub>
Temporary overvoltage (TOV) [U <sub>T</sub> ]		175V/5 sec	335V/5 sec.
Standards Information		- -	KEMA
Nominal discharge current (8/20 μs) [I <sub>n</sub> ]		15kA	20kA
Max. Discharge current (8/20 μs) [I <sub>max</sub> ]			40kA
SPD according to EN 61643-11			Type 2
SPD according to IEC 61643-1			Class II
Response time [t <sub>A</sub> ]			≤ 25 ns
Max. mains-side overcurrent protection			125A gL/gG
TOV characteristics			withstand
Operating temperature range [T <sub>U</sub> ]			-40°C to +80°C
Operating state/fault indication			Green (good)/Red (replace)
Number of ports			1
Cross-sectional area (min.)			1.5mm <sup>2</sup> /14AWG solid/flexible
Cross-sectional area (max.)			35mm <sup>2</sup> /2AWG stranded-25mm <sup>2</sup> /4AWG flexible
Mounting			35mm DIN rail per EN 60715
Enclosure material			Thermoplastic, UL 94V0
Location category			Indoor
Degree of protection			IP20
Capacity			3 mods., DIN 43880
Product Warranty			Five Years*
REMOTE CONTACT SIGNALING			
Remote Contact Signaling Type			Changeover Contact
AC Switching Capacity (Volts/Amps)			250V/0.1A
DC Switching Capacity (Volts/Amps)			250V/0.1A; 125V/0.2A; 75V/0.5A
Conductor Ratings and Cross-Sectional Area for Remote Contact Signal Terminals			60/75°C Max. 1.5mm <sup>2</sup> /14AWG Solid/Flexible
Ordering Information			Order from Catalog Numbers Above

\* See Cooper Bussmann SPD Limited Warranty Statement (3A1502) for details at [www.cooperbussmann.com/surge](http://www.cooperbussmann.com/surge).

Recommended Cooper Bussmann Back Up Fuses	
DIN Fuse Size	NH Fuse Part Number
00	125NHG00B
0	125NHG0B
01	125NHG01B
02	125NHG02B

The only controlled copy of this Data Sheet is the electronic read-only version located on the Cooper Bussmann Network Drive. All other copies of this document are by definition uncontrolled. This bulletin is intended to clearly present comprehensive product data and provide technical information that will help the end user with design applications. Cooper Bussmann reserves the right, without notice, to change design or construction of any products and to discontinue or limit distribution of any products. Cooper Bussmann also reserves the right to change or update, without notice, any technical information contained in this bulletin. Once a product has been selected, it should be tested by the user in all possible applications.



Компания «ЭлектроПласт» предлагает заключение долгосрочных отношений при поставках импортных электронных компонентов на взаимовыгодных условиях!

Наши преимущества:

- Оперативные поставки широкого спектра электронных компонентов отечественного и импортного производства напрямую от производителей и с крупнейших мировых складов;
- Поставка более 17-ти миллионов наименований электронных компонентов;
- Поставка сложных, дефицитных, либо снятых с производства позиций;
- Оперативные сроки поставки под заказ (от 5 рабочих дней);
- Экспресс доставка в любую точку России;
- Техническая поддержка проекта, помощь в подборе аналогов, поставка прототипов;
- Система менеджмента качества сертифицирована по Международному стандарту ISO 9001;
- Лицензия ФСБ на осуществление работ с использованием сведений, составляющих государственную тайну;
- Поставка специализированных компонентов (Xilinx, Altera, Analog Devices, Intersil, Interpoint, Microsemi, Aeroflex, Peregrine, Syfer, Eurofarad, Texas Instrument, Miteq, Cobham, E2V, MA-COM, Hittite, Mini-Circuits, General Dynamics и др.);

Помимо этого, одним из направлений компании «ЭлектроПласт» является направление «Источники питания». Мы предлагаем Вам помощь Конструкторского отдела:

- Подбор оптимального решения, техническое обоснование при выборе компонента;
- Подбор аналогов;
- Консультации по применению компонента;
- Поставка образцов и прототипов;
- Техническая поддержка проекта;
- Защита от снятия компонента с производства.



#### Как с нами связаться

**Телефон:** 8 (812) 309 58 32 (многоканальный)

**Факс:** 8 (812) 320-02-42

**Электронная почта:** [org@eplast1.ru](mailto:org@eplast1.ru)

**Адрес:** 198099, г. Санкт-Петербург, ул. Калинина, дом 2, корпус 4, литера А.