



# Stratix II Device Handbook, Volume 1

---



101 Innovation Drive  
San Jose, CA 95134  
[www.altera.com](http://www.altera.com)

Copyright © 2011 Altera Corporation. All rights reserved. Altera, The Programmable Solutions Company, the stylized Altera logo, specific device designations, and all other words and logos that are identified as trademarks and/or service marks are, unless noted otherwise, the trademarks and service marks of Altera Corporation in the U.S. and other countries. All other product or service names are the property of their respective holders. Altera products are protected under numerous U.S. and foreign patents and pending applications, maskwork rights, and copyrights. Altera warrants performance of its semiconductor products to current specifications in accordance with Altera's standard warranty, but reserves the right to make changes to any products and services at any time without notice. Altera assumes no responsibility or liability arising out of the application or use of any information, product, or service described herein except as expressly agreed to in writing by Altera Corporation. Altera customers are advised to obtain the latest version of device specifications before relying on any published information and before placing orders for products or services.





**Chapter Revision Dates** ..... vii

**About this Handbook** ..... i  
    How to Contact Altera ..... i  
    Typographic Conventions ..... i

## **Section I. Stratix II Device Family Data Sheet**

Revision History ..... Section I-1

### **Chapter 1. Introduction**

Introduction ..... 1-1  
Features ..... 1-1  
Document Revision History ..... 1-6

### **Chapter 2. Stratix II Architecture**

Functional Description ..... 2-1  
Logic Array Blocks ..... 2-3  
    LAB Interconnects ..... 2-4  
    LAB Control Signals ..... 2-5  
Adaptive Logic Modules ..... 2-6  
    ALM Operating Modes ..... 2-9  
    Register Chain ..... 2-20  
    Clear & Preset Logic Control ..... 2-22  
MultiTrack Interconnect ..... 2-22  
TriMatrix Memory ..... 2-28  
    Memory Block Size ..... 2-29  
Digital Signal Processing Block ..... 2-40  
    Modes of Operation ..... 2-44  
    DSP Block Interface ..... 2-44  
PLLs & Clock Networks ..... 2-48  
    Global & Hierarchical Clocking ..... 2-48  
    Enhanced & Fast PLLs ..... 2-57  
    Enhanced PLLs ..... 2-68  
    Fast PLLs ..... 2-69  
I/O Structure ..... 2-69  
    Double Data Rate I/O Pins ..... 2-77  
    External RAM Interfacing ..... 2-81  
    Programmable Drive Strength ..... 2-83

|  |       |
|--|-------|
| Open-Drain Output .....  | 2-84  |
| Bus Hold .....   | 2-84  |
| Programmable Pull-Up Resistor .....  | 2-85  |
| Advanced I/O Standard Support .....  | 2-85  |
| On-Chip Termination .....  | 2-89  |
| MultiVolt I/O Interface .....  | 2-93  |
| High-Speed Differential I/O with DPA Support .....                                       | 2-96  |
| Dedicated Circuitry with DPA Support .....   | 2-100 |
| Fast PLL & Channel Layout .....  | 2-102 |
| Document Revision History .....  | 2-104 |
| <br>   |       |
| <b>Chapter 3. Configuration &amp; Testing</b>  |       |
| IEEE Std. 1149.1 JTAG Boundary-Scan Support .....  | 3-1   |
| SignalTap II Embedded Logic Analyzer .....   | 3-4   |
| Configuration .....  | 3-4   |
| Operating Modes .....  | 3-5   |
| Configuration Schemes .....  | 3-7   |
| Configuring Stratix II FPGAs with JRunner .....  | 3-10  |
| Programming Serial Configuration Devices with SRunner .....                              | 3-10  |
| Configuring Stratix II FPGAs with the MicroBlaster Driver .....                          | 3-11  |
| PLL Reconfiguration .....  | 3-11  |
| Temperature Sensing Diode (TSD) .....  | 3-11  |
| Automated Single Event Upset (SEU) Detection .....                                       | 3-13  |
| Custom-Built Circuitry .....   | 3-14  |
| Software Interface .....   | 3-14  |
| Document Revision History .....  | 3-14  |
| <br>   |       |
| <b>Chapter 4. Hot Socketing &amp; Power-On Reset</b>                                     |       |
| Stratix II   |       |
| Hot-Socketing Specifications .....   | 4-1   |
| Devices Can Be Driven Before Power-Up .....  | 4-2   |
| I/O Pins Remain Tri-States During Power-Up .....   | 4-2   |
| Signal Pins Do Not Drive the $V_{CCIO}$ , $V_{CCINT}$ or $V_{CCPD}$ Power Supplies ..... | 4-2   |
| Hot Socketing Feature Implementation in Stratix II Devices .....                         | 4-3   |
| Power-On Reset Circuitry .....   | 4-5   |
| Document Revision History .....  | 4-6   |
| <br>   |       |
| <b>Chapter 5. DC &amp; Switching Characteristics</b>                                     |       |
| Operating Conditions .....   | 5-1   |
| Absolute Maximum Ratings .....   | 5-1   |
| Recommended Operating Conditions .....   | 5-2   |
| DC Electrical Characteristics .....  | 5-3   |
| I/O Standard Specifications .....  | 5-4   |
| Bus Hold Specifications .....  | 5-17  |
| On-Chip Termination Specifications .....   | 5-17  |
| Pin Capacitance .....  | 5-19  |
| Power Consumption .....  | 5-20  |

|   |      |
|---|------|
| Timing Model .....  | 5-20 |
| Preliminary & Final Timing .....                            | 5-20 |
| I/O Timing Measurement Methodology .....                    | 5-21 |
| Performance .....   | 5-27 |
| Internal Timing Parameters .....                            | 5-34 |
| Stratix II Clock Timing Parameters .....                    | 5-41 |
| Clock Network Skew Adders .....                             | 5-50 |
| IOE Programmable Delay .....                                | 5-51 |
| Default Capacitive Loading of Different I/O Standards ..... | 5-52 |
| I/O Delays .....  | 5-54 |
| Maximum Input & Output Clock Toggle Rate .....              | 5-66 |
| Duty Cycle Distortion .....                                 | 5-77 |
| DCD Measurement Techniques .....                            | 5-78 |
| High-Speed I/O Specifications .....                         | 5-87 |
| PLL Timing Specifications .....                             | 5-91 |
| External Memory Interface Specifications .....              | 5-94 |
| JTAG Timing Specifications .....                            | 5-96 |
| Document Revision History .....                             | 5-97 |

**Chapter 6. Reference & Ordering Information**

|                                 |     |
|---------------------------------|-----|
| Software .....                  | 6-1 |
| Device Pin-Outs .....           | 6-1 |
| Ordering Information .....      | 6-1 |
| Document Revision History ..... | 6-2 |





# Chapter Revision Dates

The chapters in this book, *Stratix II Device Handbook, Volume 1*, were revised on the following dates. Where chapters or groups of chapters are available separately, part numbers are listed.

- Chapter 1. Introduction
  - Revised: *May 2007*
  - Part number: *SII51001-4.2*
  
- Chapter 2. Stratix II Architecture
  - Revised: *May 2007*
  - Part number: *SII51002-4.3*
  
- Chapter 3. Configuration & Testing
  - Revised: *May 2007*
  - Part number: *SII51003-4.2*
  
- Chapter 4. Hot Socketing & Power-On Reset
  - Revised: *May 2007*
  - Part number: *SII51004-3.2*
  
- Chapter 5. DC & Switching Characteristics
  - Revised: *April 2011*
  - Part number: *SII51005-4.5*
  
- Chapter 6. Reference & Ordering Information
  - Revised: *April 2011*
  - Part number: *SII51006-2.2*







# About this Handbook

This handbook provides comprehensive information about the Altera® Stratix® II family of devices.

## How to Contact Altera

For the most up-to-date information about Altera products, refer to the following table.

| Contact (1)   | Contact Method | Address  |
|---|----------------|--|
| Technical support                                       | Website        | <a href="http://www.altera.com/support">www.altera.com/support</a>       |
| Technical training                                      | Website        | <a href="http://www.altera.com/training">www.altera.com/training</a>     |
|   | Email          | <a href="mailto:custrain@altera.com">custrain@altera.com</a>             |
| Product literature                                      | Email          | <a href="http://www.altera.com/literature">www.altera.com/literature</a> |
| Altera literature services                              | Website        | <a href="mailto:literature@altera.com">literature@altera.com</a>         |
| Non-technical support (General)<br>(Software Licensing) | Email          | <a href="mailto:nacomp@altera.com">nacomp@altera.com</a>                 |
|   | Email          | <a href="mailto:authorization@altera.com">authorization@altera.com</a>   |

*Note to table:*

(1) You can also contact your local Altera sales office or sales representative.

## Typographic Conventions

This document uses the typographic conventions shown below.

| Visual Cue                                      | Meaning  |
|---|--|
| <b>Bold Type with Initial Capital Letters</b>   | Command names, dialog box titles, checkbox options, and dialog box options are shown in bold, initial capital letters. Example: <b>Save As</b> dialog box.   |
| <b>bold type</b>                                | External timing parameters, directory names, project names, disk drive names, filenames, filename extensions, and software utility names are shown in bold type. Examples: <b>f<sub>MAX</sub></b> , <b>lqdesigns</b> directory, <b>d:</b> drive, <b>chiptrip.gdf</b> file. |
| <i>Italic Type with Initial Capital Letters</i> | Document titles are shown in italic type with initial capital letters. Example: <i>AN 75: High-Speed Board Design</i> .  |

| Visual Cue  | Meaning   |
|---|---|
| <i>Italic type</i>  | <p>Internal timing parameters and variables are shown in italic type. Examples: <math>t_{PIA}</math>, <math>n + 1</math>.</p> <p>Variable names are enclosed in angle brackets (&lt; &gt;) and shown in italic type. Example: &lt;file name&gt;, &lt;project name&gt;.pdf file.</p>   |
| Initial Capital Letters   | Keyboard keys and menu names are shown with initial capital letters. Examples: Delete key, the Options menu.  |
| “Subheading Title”  | References to sections within a document and titles of on-line help topics are shown in quotation marks. Example: “Typographic Conventions.”  |
| Courier type  | <p>Signal and port names are shown in lowercase Courier type. Examples: data1, tdi, input. Active-low signals are denoted by suffix n, e.g., resetn.</p> <p>Anything that must be typed exactly as it appears is shown in Courier type. For example: c:\qdesigns\tutorial\chiptrip.gdf. Also, sections of an actual file, such as a Report File, references to parts of files (e.g., the AHDL keyword SUBDESIGN), as well as logic function names (e.g., TRI) are shown in Courier.</p> |
| 1., 2., 3., and a., b., c., etc.  | Numbered steps are used in a list of items when the sequence of the items is important, such as the steps listed in a procedure.  |
|    | Bullets are used in a list of items when the sequence of the items is not important.  |
|    | The checkmark indicates a procedure that consists of one step only.   |
|    | The hand points to information that requires special attention.   |
|    | The caution indicates required information that needs special consideration and understanding and should be read prior to starting or continuing with the procedure or process.   |
|   | The warning indicates information that should be read prior to starting or continuing the procedure or processes  |
|  | The angled arrow indicates you should press the Enter key.  |
|  | The feet direct you to more information on a particular topic.  |



# Section I. Stratix II Device Family Data Sheet

This section provides the data sheet specifications for Stratix® II devices. This section contains feature definitions of the internal architecture, configuration and JTAG boundary-scan testing information, DC operating conditions, AC timing parameters, a reference to power consumption, and ordering information for Stratix II devices.

This section contains the following chapters:

- [Chapter 1, Introduction](#)
- [Chapter 2, Stratix II Architecture](#)
- [Chapter 3, Configuration & Testing](#)
- [Chapter 4, Hot Socketing & Power-On Reset](#)
- [Chapter 5, DC & Switching Characteristics](#)
- [Chapter 6, Reference & Ordering Information](#)

## Revision History

Refer to each chapter for its own specific revision history. For information on when each chapter was updated, refer to the Chapter Revision Dates section, which appears in the full handbook.



## Introduction

The Stratix® II FPGA family is based on a 1.2-V, 90-nm, all-layer copper SRAM process and features a new logic structure that maximizes performance, and enables device densities approaching 180,000 equivalent logic elements (LEs). Stratix II devices offer up to 9 Mbits of on-chip, TriMatrix™ memory for demanding, memory intensive applications and has up to 96 DSP blocks with up to 384 (18-bit × 18-bit) multipliers for efficient implementation of high performance filters and other DSP functions. Various high-speed external memory interfaces are supported, including double data rate (DDR) SDRAM and DDR2 SDRAM, RLDRAM II, quad data rate (QDR) II SRAM, and single data rate (SDR) SDRAM. Stratix II devices support various I/O standards along with support for 1-gigabit per second (Gbps) source synchronous signaling with DPA circuitry. Stratix II devices offer a complete clock management solution with internal clock frequency of up to 550 MHz and up to 12 phase-locked loops (PLLs). Stratix II devices are also the industry's first FPGAs with the ability to decrypt a configuration bitstream using the Advanced Encryption Standard (AES) algorithm to protect designs.

## Features

The Stratix II family offers the following features:

- 15,600 to 179,400 equivalent LEs; see [Table 1-1](#)
- New and innovative adaptive logic module (ALM), the basic building block of the Stratix II architecture, maximizes performance and resource usage efficiency
- Up to 9,383,040 RAM bits (1,172,880 bytes) available without reducing logic resources
- TriMatrix memory consisting of three RAM block sizes to implement true dual-port memory and first-in first-out (FIFO) buffers
- High-speed DSP blocks provide dedicated implementation of multipliers (at up to 450 MHz), multiply-accumulate functions, and finite impulse response (FIR) filters
- Up to 16 global clocks with 24 clocking resources per device region
- Clock control blocks support dynamic clock network enable/disable, which allows clock networks to power down to reduce power consumption in user mode
- Up to 12 PLLs (four enhanced PLLs and eight fast PLLs) per device provide spread spectrum, programmable bandwidth, clock switch-over, real-time PLL reconfiguration, and advanced multiplication and phase shifting

- Support for numerous single-ended and differential I/O standards
- High-speed differential I/O support with DPA circuitry for 1-Gbps performance
- Support for high-speed networking and communications bus standards including Parallel RapidIO, SPI-4 Phase 2 (POS-PHY Level 4), HyperTransport™ technology, and SFI-4
- Support for high-speed external memory, including DDR and DDR2 SDRAM, RLDRAM II, QDR II SRAM, and SDR SDRAM
- Support for multiple intellectual property megafunctions from Altera MegaCore® functions and Altera Megafunction Partners Program (AMPP<sup>SM</sup>) megafunctions
- Support for design security using configuration bitstream encryption
- Support for remote configuration updates

**Table 1–1. Stratix II FPGA Family Features**

| Feature                             | EP2S15  | EP2S30    | EP2S60    | EP2S90    | EP2S130   | EP2S180   |
|-------------------------------------|---------|-----------|-----------|-----------|-----------|-----------|
| ALMs                                | 6,240   | 13,552    | 24,176    | 36,384    | 53,016    | 71,760    |
| Adaptive look-up tables (ALUTs) (1) | 12,480  | 27,104    | 48,352    | 72,768    | 106,032   | 143,520   |
| Equivalent LEs (2)                  | 15,600  | 33,880    | 60,440    | 90,960    | 132,540   | 179,400   |
| M512 RAM blocks                     | 104     | 202       | 329       | 488       | 699       | 930       |
| M4K RAM blocks                      | 78      | 144       | 255       | 408       | 609       | 768       |
| M-RAM blocks                        | 0       | 1         | 2         | 4         | 6         | 9         |
| Total RAM bits                      | 419,328 | 1,369,728 | 2,544,192 | 4,520,488 | 6,747,840 | 9,383,040 |
| DSP blocks                          | 12      | 16        | 36        | 48        | 63        | 96        |
| 18-bit × 18-bit multipliers (3)     | 48      | 64        | 144       | 192       | 252       | 384       |
| Enhanced PLLs                       | 2       | 2         | 4         | 4         | 4         | 4         |
| Fast PLLs                           | 4       | 4         | 8         | 8         | 8         | 8         |
| Maximum user I/O pins               | 366     | 500       | 718       | 902       | 1,126     | 1,170     |

**Notes to Table 1–1:**

- (1) One ALM contains two ALUTs. The ALUT is the cell used in the Quartus® II software for logic synthesis.
- (2) This is the equivalent number of LEs in a Stratix device (four-input LUT-based architecture).
- (3) These multipliers are implemented using the DSP blocks.

Stratix II devices are available in space-saving FineLine BGA® packages (see [Tables 1–2](#) and [1–3](#)).

**Table 1–2. Stratix II Package Options & I/O Pin Counts** *Notes (1), (2)*

| Device      | 484-Pin FineLine BGA | 484-Pin Hybrid FineLine BGA | 672-Pin FineLine BGA | 780-Pin FineLine BGA | 1,020-Pin FineLine BGA | 1,508-Pin FineLine BGA |
|-------------|----------------------|-----------------------------|----------------------|----------------------|------------------------|------------------------|
| EP2S15      | 342                  |                             | 366                  |                      |                        |                        |
| EP2S30      | 342                  |                             | 500                  |                      |                        |                        |
| EP2S60 (3)  | 334                  |                             | 492                  |                      | 718                    |                        |
| EP2S90 (3)  |                      | 308                         |                      | 534                  | 758                    | 902                    |
| EP2S130 (3) |                      |                             |                      | 534                  | 742                    | 1,126                  |
| EP2S180 (3) |                      |                             |                      |                      | 742                    | 1,170                  |

**Notes to Table 1–2:**

- (1) All I/O pin counts include eight dedicated clock input pins (clk1p, clk1n, clk3p, clk3n, clk9p, clk9n, clk11p, and clk11n) that can be used for data inputs.
- (2) The Quartus II software I/O pin counts include one additional pin, PLL\_ENA, which is not available as general-purpose I/O pins. The PLL\_ENA pin can only be used to enable the PLLs within the device.
- (3) The I/O pin counts for the EP2S60, EP2S90, EP2S130, and EP2S180 devices in the 1020-pin and 1508-pin packages include eight dedicated fast PLL clock inputs (FPLL7CLKp/n, FPLL8CLKp/n, FPLL9CLKp/n, and FPLL10CLKp/n) that can be used for data inputs.

**Table 1–3. Stratix II FineLine BGA Package Sizes**

| Dimension                | 484 Pin | 484-Pin Hybrid | 672 Pin | 780 Pin | 1,020 Pin | 1,508 Pin |
|--------------------------|---------|----------------|---------|---------|-----------|-----------|
| Pitch (mm)               | 1.00    | 1.00           | 1.00    | 1.00    | 1.00      | 1.00      |
| Area (mm <sup>2</sup> )  | 529     | 729            | 729     | 841     | 1,089     | 1,600     |
| Length × width (mm × mm) | 23 × 23 | 27 × 27        | 27 × 27 | 29 × 29 | 33 × 33   | 40 × 40   |

All Stratix II devices support vertical migration within the same package (for example, you can migrate between the EP2S15, EP2S30, and EP2S60 devices in the 672-pin FineLine BGA package). Vertical migration means that you can migrate to devices whose dedicated pins, configuration pins, and power pins are the same for a given package across device densities.

To ensure that a board layout supports migratable densities within one package offering, enable the applicable vertical migration path within the Quartus II software (Assignments menu > Device > Migration Devices).

After compilation, check the information messages for a full list of I/O, DQ, LVDS, and other pins that are not available because of the selected migration path.

Table 1–4 lists the Stratix II device package offerings and shows the total number of non-migratable user I/O pins when migrating from one density device to a larger density device. Additional I/O pins may not be migratable if migrating from the larger device to the smaller density device.



When moving from one density to a larger density, the larger density device may have fewer user I/O pins. The larger device requires more power and ground pins to support the additional logic within the device. Use the Quartus II Pin Planner to determine which user I/O pins are migratable between the two devices.

| Vertical Migration Path | 484-Pin FineLine BGA | 672-Pin FineLine BGA | 780-Pin FineLine BGA | 1020-Pin FineLine BGA | 1508-Pin FineLine BGA |
|-------------------------|----------------------|----------------------|----------------------|-----------------------|-----------------------|
| EP2S15 to EP2S30        | 0 (1)                | 0                    |                      |                       |                       |
| EP2S15 to EP2S60        | 8 (1)                | 0                    |                      |                       |                       |
| EP2S30 to EP2S60        | 8 (1)                | 8                    |                      |                       |                       |
| EP2S60 to EP2S90        |                      |                      |                      | 0                     |                       |
| EP2S60 to EP2S130       |                      |                      |                      | 0                     |                       |
| EP2S60 to EP2S180       |                      |                      |                      | 0                     |                       |
| EP2S90 to EP2S130       |                      |                      | 0 (1)                | 16                    | 17                    |
| EP2S90 to EP2S180       |                      |                      |                      | 16                    | 0                     |
| EP2S130 to EP2S180      |                      |                      |                      | 0                     | 0                     |

**Note to Table 1–4:**

- (1) Some of the DQ/DQS pins are not migratable. Refer to the Quartus II software information messages for more detailed information.



To determine if your user I/O assignments are correct, run the I/O Assignment Analysis command in the Quartus II software (Processing > Start > Start I/O Assignment Analysis).



Refer to the *I/O Management* chapter in volume 2 of the *Quartus II Handbook* for more information on pin migration.



Stratix II devices are available in up to three speed grades, -3, -4, and -5, with -3 being the fastest. Table 1-5 shows Stratix II device speed-grade offerings.

**Table 1-5. Stratix II Device Speed Grades**

| Device  | Temperature Grade | 484-Pin FineLine BGA | 484-Pin Hybrid FineLine BGA | 672-Pin FineLine BGA | 780-Pin FineLine BGA | 1,020-Pin FineLine BGA | 1,508-Pin FineLine BGA |
|---------|-------------------|----------------------|-----------------------------|----------------------|----------------------|------------------------|------------------------|
| EP2S15  | Commercial        | -3, -4, -5           |                             | -3, -4, -5           |                      |                        |                        |
|         | Industrial        | -4                   |                             | -4                   |                      |                        |                        |
| EP2S30  | Commercial        | -3, -4, -5           |                             | -3, -4, -5           |                      |                        |                        |
|         | Industrial        | -4                   |                             | -4                   |                      |                        |                        |
| EP2S60  | Commercial        | -3, -4, -5           |                             | -3, -4, -5           |                      | -3, -4, -5             |                        |
|         | Industrial        | -4                   |                             | -4                   |                      | -4                     |                        |
| EP2S90  | Commercial        |                      | -4, -5                      |                      | -4, -5               | -3, -4, -5             | -3, -4, -5             |
|         | Industrial        |                      |                             |                      |                      | -4                     | -4                     |
| EP2S130 | Commercial        |                      |                             |                      | -4, -5               | -3, -4, -5             | -3, -4, -5             |
|         | Industrial        |                      |                             |                      |                      | -4                     | -4                     |
| EP2S180 | Commercial        |                      |                             |                      |                      | -3, -4, -5             | -3, -4, -5             |
|         | Industrial        |                      |                             |                      |                      | -4                     | -4                     |

## Document Revision History

Table 1–6 shows the revision history for this chapter.

| <b>Date and Document Version</b> | <b>Changes Made</b>   | <b>Summary of Changes</b> |
|----------------------------------|---|---------------------------|
| May 2007, v4.2                   | Moved Document Revision History to the end of the chapter.  | —                         |
| April 2006, v4.1                 | <ul style="list-style-type: none"> <li>● Updated “Features” section.</li> <li>● Removed Note 4 from Table 1–2.</li> <li>● Updated Table 1–4.</li> </ul> | —                         |
| December 2005, v4.0              | <ul style="list-style-type: none"> <li>● Updated Tables 1–2, 1–4, and 1–5.</li> <li>● Updated Figure 2–43.</li> </ul>                                   | —                         |
| July 2005, v3.1                  | <ul style="list-style-type: none"> <li>● Added vertical migration information, including Table 1–4.</li> <li>● Updated Table 1–5.</li> </ul>            | —                         |
| May 2005, v3.0                   | <ul style="list-style-type: none"> <li>● Updated “Features” section.</li> <li>● Updated Table 1–2.</li> </ul>   | —                         |
| March 2005, v2.1                 | Updated “Introduction” and “Features” sections.   | —                         |
| January 2005, v2.0               | Added note to Table 1–2.  | —                         |
| October 2004, v1.2               | Updated Tables 1–2, 1–3, and 1–5.   | —                         |
| July 2004, v1.1                  | <ul style="list-style-type: none"> <li>● Updated Tables 1–1 and 1–2.</li> <li>● Updated “Features” section.</li> </ul>                                  | —                         |
| February 2004, v1.0              | Added document to the Stratix II Device Handbook.   | —                         |

### Functional Description

Stratix<sup>®</sup> II devices contain a two-dimensional row- and column-based architecture to implement custom logic. A series of column and row interconnects of varying length and speed provides signal interconnects between logic array blocks (LABs), memory block structures (M512 RAM, M4K RAM, and M-RAM blocks), and digital signal processing (DSP) blocks.

Each LAB consists of eight adaptive logic modules (ALMs). An ALM is the Stratix II device family's basic building block of logic providing efficient implementation of user logic functions. LABs are grouped into rows and columns across the device.

M512 RAM blocks are simple dual-port memory blocks with 512 bits plus parity (576 bits). These blocks provide dedicated simple dual-port or single-port memory up to 18-bits wide at up to 500 MHz. M512 blocks are grouped into columns across the device in between certain LABs.

M4K RAM blocks are true dual-port memory blocks with 4K bits plus parity (4,608 bits). These blocks provide dedicated true dual-port, simple dual-port, or single-port memory up to 36-bits wide at up to 550 MHz. These blocks are grouped into columns across the device in between certain LABs.

M-RAM blocks are true dual-port memory blocks with 512K bits plus parity (589,824 bits). These blocks provide dedicated true dual-port, simple dual-port, or single-port memory up to 144-bits wide at up to 420 MHz. Several M-RAM blocks are located individually in the device's logic array.

DSP blocks can implement up to either eight full-precision  $9 \times 9$ -bit multipliers, four full-precision  $18 \times 18$ -bit multipliers, or one full-precision  $36 \times 36$ -bit multiplier with add or subtract features. The DSP blocks support Q1.15 format rounding and saturation in the multiplier and accumulator stages. These blocks also contain shift registers for digital signal processing applications, including finite impulse response (FIR) and infinite impulse response (IIR) filters. DSP blocks are grouped into columns across the device and operate at up to 450 MHz.

Each Stratix II device I/O pin is fed by an I/O element (IOE) located at the end of LAB rows and columns around the periphery of the device. I/O pins support numerous single-ended and differential I/O standards. Each IOE contains a bidirectional I/O buffer and six registers for registering input, output, and output-enable signals. When used with dedicated clocks, these registers provide exceptional performance and interface support with external memory devices such as DDR and DDR2 SDRAM, RLDRAM II, and QDR II SRAM devices. High-speed serial interface channels with dynamic phase alignment (DPA) support data transfer at up to 1 Gbps using LVDS or HyperTransport™ technology I/O standards.

Figure 2-1 shows an overview of the Stratix II device.

Figure 2-1. Stratix II Block Diagram



The number of M512 RAM, M4K RAM, and DSP blocks varies by device along with row and column numbers and M-RAM blocks. [Table 2-1](#) lists the resources available in Stratix II devices.

**Table 2-1. Stratix II Device Resources**

| Device  | M512 RAM<br>Columns/Blocks | M4K RAM<br>Columns/Blocks | M-RAM<br>Blocks | DSP Block<br>Columns/Blocks | LAB<br>Columns | LAB Rows |
|---------|----------------------------|---------------------------|-----------------|-----------------------------|----------------|----------|
| EP2S15  | 4 / 104                    | 3 / 78                    | 0               | 2 / 12                      | 30             | 26       |
| EP2S30  | 6 / 202                    | 4 / 144                   | 1               | 2 / 16                      | 49             | 36       |
| EP2S60  | 7 / 329                    | 5 / 255                   | 2               | 3 / 36                      | 62             | 51       |
| EP2S90  | 8 / 488                    | 6 / 408                   | 4               | 3 / 48                      | 71             | 68       |
| EP2S130 | 9 / 699                    | 7 / 609                   | 6               | 3 / 63                      | 81             | 87       |
| EP2S180 | 11 / 930                   | 8 / 768                   | 9               | 4 / 96                      | 100            | 96       |

## Logic Array Blocks

Each LAB consists of eight ALMs, carry chains, shared arithmetic chains, LAB control signals, local interconnect, and register chain connection lines. The local interconnect transfers signals between ALMs in the same LAB. Register chain connections transfer the output of an ALM register to the adjacent ALM register in an LAB. The Quartus® II Compiler places associated logic in an LAB or adjacent LABs, allowing the use of local, shared arithmetic chain, and register chain connections for performance and area efficiency. [Figure 2-2](#) shows the Stratix II LAB structure.

**Figure 2–2. Stratix II LAB Structure**



## LAB Interconnects

The LAB local interconnect can drive ALMs in the same LAB. It is driven by column and row interconnects and ALM outputs in the same LAB. Neighboring LABs, M512 RAM blocks, M4K RAM blocks, M-RAM blocks, or DSP blocks from the left and right can also drive an LAB's local interconnect through the direct link connection. The direct link connection feature minimizes the use of row and column interconnects, providing higher performance and flexibility. Each ALM can drive 24 ALMs through fast local and direct link interconnects. [Figure 2–3](#) shows the direct link connection.

**Figure 2–3. Direct Link Connection**

## LAB Control Signals

Each LAB contains dedicated logic for driving control signals to its ALMs. The control signals include three clocks, three clock enables, two asynchronous clears, synchronous clear, asynchronous preset/load, and synchronous load control signals. This gives a maximum of 11 control signals at a time. Although synchronous load and clear signals are generally used when implementing counters, they can also be used with other functions.

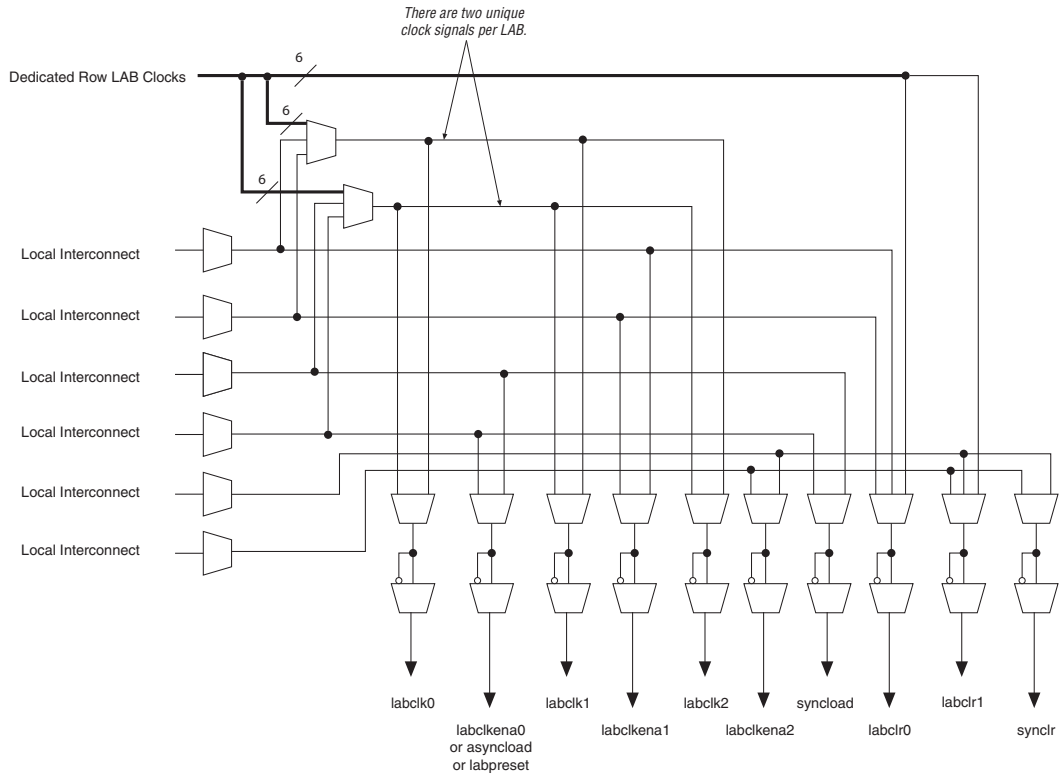
Each LAB can use three clocks and three clock enable signals. However, there can only be up to two unique clocks per LAB, as shown in the LAB control signal generation circuit in [Figure 2–4](#). Each LAB's clock and clock enable signals are linked. For example, any ALM in a particular LAB using the `labclk1` signal also uses `labckena1`. If the LAB uses both the rising and falling edges of a clock, it also uses two LAB-wide clock signals. De-asserting the clock enable signal turns off the corresponding LAB-wide clock.

Each LAB can use two asynchronous clear signals and an asynchronous load/preset signal. By default, the Quartus II software uses a NOT gate push-back technique to achieve preset. If you disable the NOT gate push-up option or assign a given register to power up high using the Quartus II software, the preset is achieved using the asynchronous load

signal with asynchronous load data input tied high. When the asynchronous load/preset signal is used, the `labclk0` signal is no longer available.

The LAB row clocks [5..0] and LAB local interconnect generate the LAB-wide control signals. The MultiTrack™ interconnect's inherent low skew allows clock and control signal distribution in addition to data. [Figure 2-4](#) shows the LAB control signal generation circuit.

**Figure 2-4. LAB-Wide Control Signals**



## Adaptive Logic Modules

The basic building block of logic in the Stratix II architecture, the adaptive logic module (ALM), provides advanced features with efficient logic utilization. Each ALM contains a variety of look-up table (LUT)-based resources that can be divided between two adaptive LUTs (ALUTs). With up to eight inputs to the two ALUTs, one ALM can implement various combinations of two functions. This adaptability allows the ALM to be



completely backward-compatible with four-input LUT architectures. One ALM can also implement any function of up to six inputs and certain seven-input functions.

In addition to the adaptive LUT-based resources, each ALM contains two programmable registers, two dedicated full adders, a carry chain, a shared arithmetic chain, and a register chain. Through these dedicated resources, the ALM can efficiently implement various arithmetic functions and shift registers. Each ALM drives all types of interconnects: local, row, column, carry chain, shared arithmetic chain, register chain, and direct link interconnects. Figure 2-5 shows a high-level block diagram of the Stratix II ALM while Figure 2-6 shows a detailed view of all the connections in the ALM.

**Figure 2-5. High-Level Block Diagram of the Stratix II ALM**

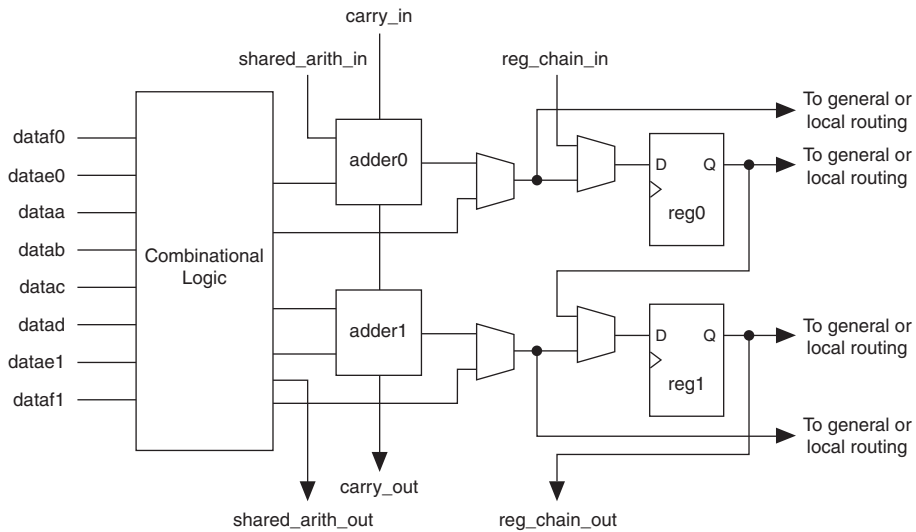
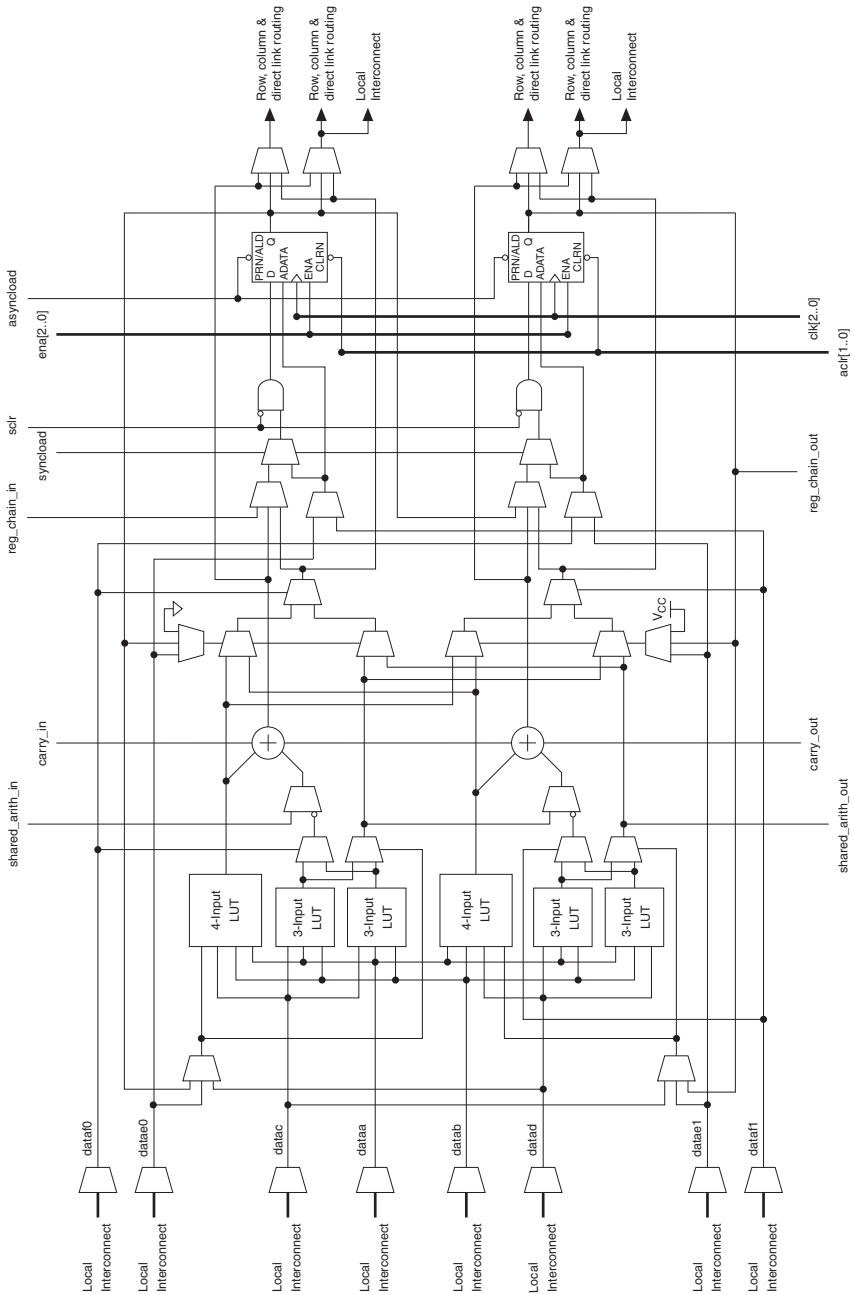


Figure 2–6. Stratix II ALM Details



One ALM contains two programmable registers. Each register has data, clock, clock enable, synchronous and asynchronous clear, asynchronous load data, and synchronous and asynchronous load/preset inputs. Global signals, general-purpose I/O pins, or any internal logic can drive the register's clock and clear control signals. Either general-purpose I/O pins or internal logic can drive the clock enable, preset, asynchronous load, and asynchronous load data. The asynchronous load data input comes from the `datae` or `dataf` input of the ALM, which are the same inputs that can be used for register packing. For combinational functions, the register is bypassed and the output of the LUT drives directly to the outputs of the ALM.

Each ALM has two sets of outputs that drive the local, row, and column routing resources. The LUT, adder, or register output can drive these output drivers independently (see [Figure 2-6](#)). For each set of output drivers, two ALM outputs can drive column, row, or direct link routing connections, and one of these ALM outputs can also drive local interconnect resources. This allows the LUT or adder to drive one output while the register drives another output. This feature, called register packing, improves device utilization because the device can use the register and the combinational logic for unrelated functions. Another special packing mode allows the register output to feed back into the LUT of the same ALM so that the register is packed with its own fan-out LUT. This provides another mechanism for improved fitting. The ALM can also drive out registered and unregistered versions of the LUT or adder output.



See the *Performance & Logic Efficiency Analysis of Stratix II Devices White Paper* for more information on the efficiencies of the Stratix II ALM and comparisons with previous architectures.

## ALM Operating Modes

The Stratix II ALM can operate in one of the following modes:

- Normal mode
- Extended LUT mode
- Arithmetic mode
- Shared arithmetic mode

Each mode uses ALM resources differently. In each mode, eleven available inputs to the ALM—the eight data inputs from the LAB local interconnect; `carry-in` from the previous ALM or LAB; the shared arithmetic chain connection from the previous ALM or LAB; and the register chain connection—are directed to different destinations to implement the desired logic function. LAB-wide signals provide clock, asynchronous clear, asynchronous preset/load, synchronous clear,

synchronous load, and clock enable control for the register. These LAB-wide signals are available in all ALM modes. See the “[LAB Control Signals](#)” section for more information on the LAB-wide control signals.

The Quartus II software and supported third-party synthesis tools, in conjunction with parameterized functions such as library of parameterized modules (LPM) functions, automatically choose the appropriate mode for common functions such as counters, adders, subtractors, and arithmetic functions. If required, you can also create special-purpose functions that specify which ALM operating mode to use for optimal performance.

### *Normal Mode*

The normal mode is suitable for general logic applications and combinational functions. In this mode, up to eight data inputs from the LAB local interconnect are inputs to the combinational logic. The normal mode allows two functions to be implemented in one Stratix II ALM, or an ALM to implement a single function of up to six inputs. The ALM can support certain combinations of completely independent functions and various combinations of functions which have common inputs.

[Figure 2-7](#) shows the supported LUT combinations in normal mode.

**Figure 2-7. ALM in Normal Mode** *Note (1)*



**Note to Figure 2-7:**

- (1) Combinations of functions with fewer inputs than those shown are also supported. For example, combinations of functions with the following number of inputs are supported: 4 and 3, 3 and 3, 3 and 2, 5 and 2, etc.

The normal mode provides complete backward compatibility with four-input LUT architectures. Two independent functions of four inputs or less can be implemented in one Stratix II ALM. In addition, a five-input function and an independent three-input function can be implemented without sharing inputs.

For the packing of two five-input functions into one ALM, the functions must have at least two common inputs. The common inputs are `dataaa` and `datab`. The combination of a four-input function with a five-input function requires one common input (either `dataaa` or `datab`).

In the case of implementing two six-input functions in one ALM, four inputs must be shared and the combinational function must be the same. For example, a  $4 \times 2$  crossbar switch (two 4-to-1 multiplexers with common inputs and unique select lines) can be implemented in one ALM, as shown in [Figure 2-8](#). The shared inputs are `dataaa`, `datab`, `datac`, and `datad`, while the unique select lines are `datae0` and `dataf0` for `function0`, and `datae1` and `dataf1` for `function1`. This crossbar switch consumes four LUTs in a four-input LUT-based architecture.

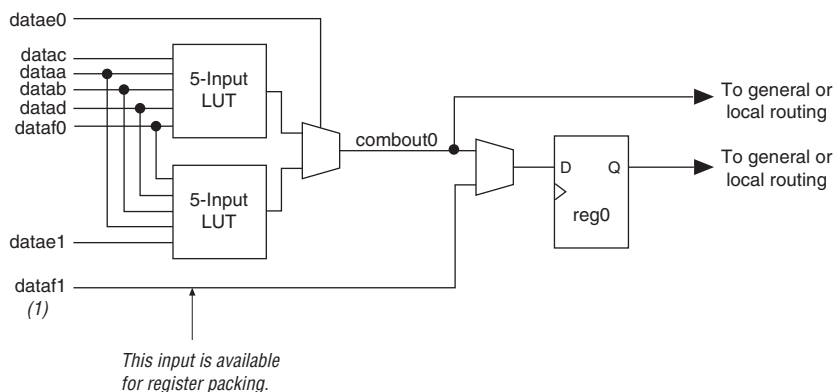
**Figure 2-8.  $4 \times 2$  Crossbar Switch Example**



In a sparsely used device, functions that could be placed into one ALM may be implemented in separate ALMs. The Quartus II Compiler spreads a design out to achieve the best possible performance. As a device begins to fill up, the Quartus II software automatically utilizes the full potential of the Stratix II ALM. The Quartus II Compiler automatically searches for functions of common inputs or completely independent functions to be placed into one ALM and to make efficient use of the device resources. In addition, you can manually control resource usage by setting location assignments.

Any six-input function can be implemented utilizing inputs `dataaa`, `datab`, `datac`, `datad`, and either `datae0` and `dataf0` or `datae1` and `dataf1`. If `datae0` and `dataf0` are utilized, the output is driven to `register0`, and/or `register0` is bypassed and the data drives out to the interconnect using the top set of output drivers (see [Figure 2-9](#)). If



**Figure 2–10. Template for Supported Seven-Input Functions in Extended LUT Mode****Note to Figure 2–10:**

- (1) If the seven-input function is unregistered, the unused eighth input is available for register packing. The second register, `reg1`, is not available.

### Arithmetic Mode

The arithmetic mode is ideal for implementing adders, counters, accumulators, wide parity functions, and comparators. An ALM in arithmetic mode uses two sets of two four-input LUTs along with two dedicated full adders. The dedicated adders allow the LUTs to be available to perform pre-adder logic; therefore, each adder can add the output of two four-input functions. The four LUTs share the `dataa` and `datab` inputs. As shown in Figure 2–11, the carry-in signal feeds to `adder0`, and the carry-out from `adder0` feeds to carry-in of `adder1`. The carry-out from `adder1` drives to `adder0` of the next ALM in the LAB. ALMs in arithmetic mode can drive out registered and/or unregistered versions of the adder outputs.



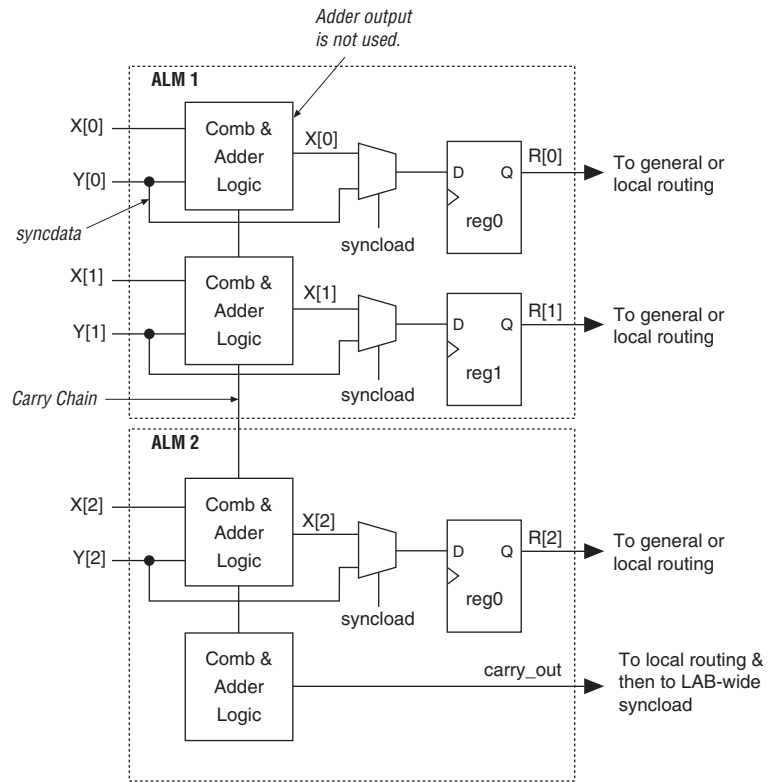
Figure 2-11. ALM in Arithmetic Mode



While operating in arithmetic mode, the ALM can support simultaneous use of the adder's carry output along with combinational logic outputs. In this operation, the adder output is ignored. This usage of the adder with the combinational logic output provides resource savings of up to 50% for functions that can use this ability. An example of such functionality is a conditional operation, such as the one shown in Figure 2-12. The equation for this example is:

$$R = (X < Y) ? Y : X$$

To implement this function, the adder is used to subtract 'Y' from 'X.' If 'X' is less than 'Y,' the *carry\_out* signal is '1.' The *carry\_out* signal is fed to an adder where it drives out to the LAB local interconnect. It then feeds to the LAB-wide *syncload* signal. When asserted, *syncload* selects the *syncdata* input. In this case, the data 'Y' drives the *syncdata* inputs to the registers. If 'X' is greater than or equal to 'Y,' the *syncload* signal is de-asserted and 'X' drives the data port of the registers.

**Figure 2–12. Conditional Operation Example**

The arithmetic mode also offers clock enable, counter enable, synchronous up/down control, add/subtract control, synchronous clear, synchronous load. The LAB local interconnect data inputs generate the clock enable, counter enable, synchronous up/down and add/subtract control signals. These control signals are good candidates for the inputs that are shared between the four LUTs in the ALM. The synchronous clear and synchronous load options are LAB-wide signals that affect all registers in the LAB. The Quartus II software automatically places any registers that are not used by the counter into other LABs.

### Carry Chain

The carry chain provides a fast carry function between the dedicated adders in arithmetic or shared arithmetic mode. Carry chains can begin in either the first ALM or the fifth ALM in an LAB. The final carry-out signal is routed to an ALM, where it is fed to local, row, or column interconnects.

The Quartus II Compiler automatically creates carry chain logic during design processing, or you can create it manually during design entry. Parameterized functions such as LPM functions automatically take advantage of carry chains for the appropriate functions.

The Quartus II Compiler creates carry chains longer than 16 (8 ALMs in arithmetic or shared arithmetic mode) by linking LABs together automatically. For enhanced fitting, a long carry chain runs vertically allowing fast horizontal connections to TriMatrix memory and DSP blocks. A carry chain can continue as far as a full column.

To avoid routing congestion in one small area of the device when a high fan-in arithmetic function is implemented, the LAB can support carry chains that only utilize either the top half or the bottom half of the LAB before connecting to the next LAB. This leaves the other half of the ALMs in the LAB available for implementing narrower fan-in functions in normal mode. Carry chains that use the top four ALMs in the first LAB carry into the top half of the ALMs in the next LAB within the column. Carry chains that use the bottom four ALMs in the first LAB carry into the bottom half of the ALMs in the next LAB within the column. Every other column of LABs is top-half bypassable, while the other LAB columns are bottom-half bypassable.

See the “MultiTrack Interconnect” on page 2–22 section for more information on carry chain interconnect.

### *Shared Arithmetic Mode*

In shared arithmetic mode, the ALM can implement a three-input add. In this mode, the ALM is configured with four 4-input LUTs. Each LUT either computes the sum of three inputs or the carry of three inputs. The output of the carry computation is fed to the next adder (either to `adder1` in the same ALM or to `adder0` of the next ALM in the LAB) via a dedicated connection called the shared arithmetic chain. This shared arithmetic chain can significantly improve the performance of an adder tree by reducing the number of summation stages required to implement an adder tree. Figure 2–13 shows the ALM in shared arithmetic mode.

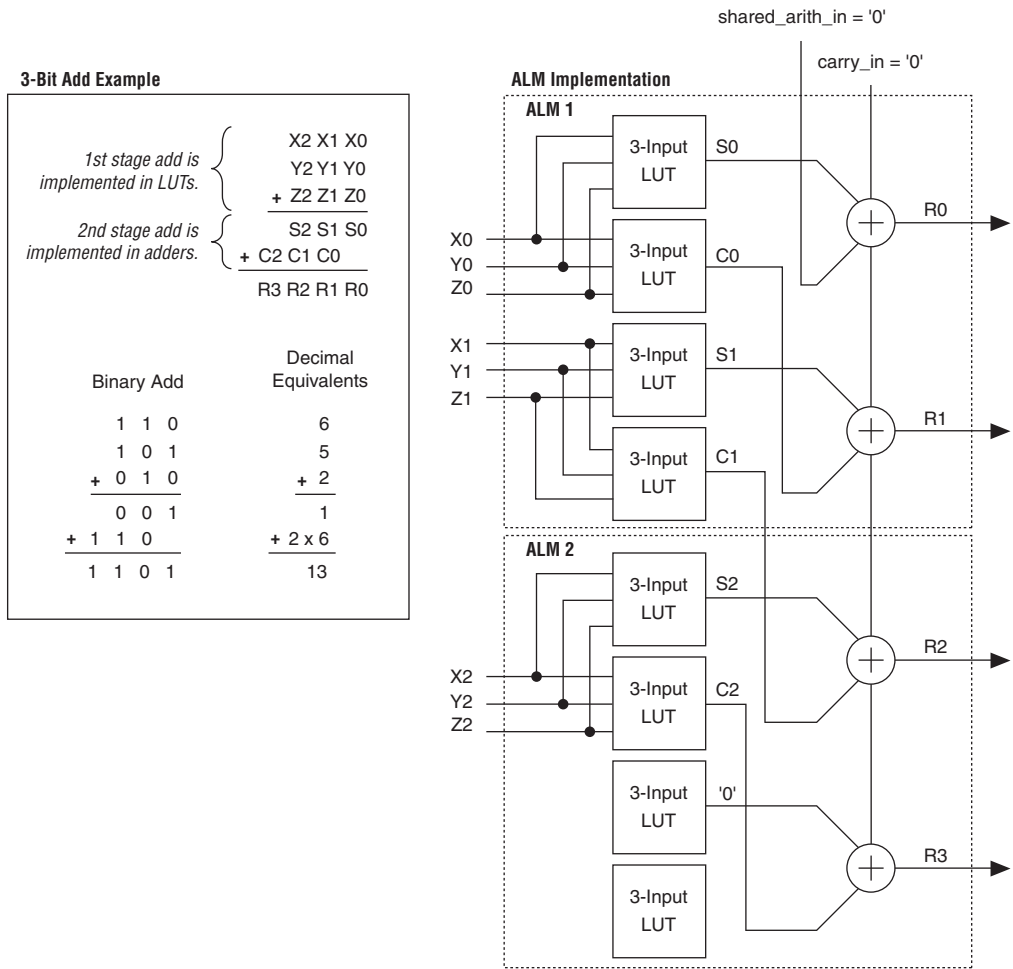
**Figure 2–13. ALM in Shared Arithmetic Mode****Note to Figure 2–13:**

- (1) Inputs dataa0 and dataa1 are available for register packing in shared arithmetic mode.

Adder trees can be found in many different applications. For example, the summation of the partial products in a logic-based multiplier can be implemented in a tree structure. Another example is a correlator function that can use a large adder tree to sum filtered data samples in a given time frame to recover or to de-spread data which was transmitted utilizing spread spectrum technology.

An example of a three-bit add operation utilizing the shared arithmetic mode is shown in Figure 2–14. The partial sum ( $S[2..0]$ ) and the partial carry ( $C[2..0]$ ) is obtained using the LUTs, while the result ( $R[2..0]$ ) is computed using the dedicated adders.

Figure 2–14. Example of a 3-bit Add Utilizing Shared Arithmetic Mode



**Shared Arithmetic Chain**

In addition to the dedicated carry chain routing, the shared arithmetic chain available in shared arithmetic mode allows the ALM to implement a three-input add. This significantly reduces the resources necessary to implement large adder trees or correlator functions.

The shared arithmetic chains can begin in either the first or fifth ALM in an LAB. The Quartus II Compiler creates shared arithmetic chains longer than 16 (8 ALMs in arithmetic or shared arithmetic mode) by linking LABs together automatically. For enhanced fitting, a long shared

arithmetic chain runs vertically allowing fast horizontal connections to TriMatrix memory and DSP blocks. A shared arithmetic chain can continue as far as a full column.

Similar to the carry chains, the shared arithmetic chains are also top- or bottom-half bypassable. This capability allows the shared arithmetic chain to cascade through half of the ALMs in a LAB while leaving the other half available for narrower fan-in functionality. Every other LAB column is top-half bypassable, while the other LAB columns are bottom-half bypassable.

See the “MultiTrack Interconnect” on page 2–22 section for more information on shared arithmetic chain interconnect.

### Register Chain

In addition to the general routing outputs, the ALMs in an LAB have register chain outputs. The register chain routing allows registers in the same LAB to be cascaded together. The register chain interconnect allows an LAB to use LUTs for a single combinational function and the registers to be used for an unrelated shift register implementation. These resources speed up connections between ALMs while saving local interconnect resources (see Figure 2–15). The Quartus II Compiler automatically takes advantage of these resources to improve utilization and performance.

**Figure 2–15. Register Chain within an LAB** *Note (1)*



**Note to Figure 2–15:**

(1) The combinational or adder logic can be utilized to implement an unrelated, un-registered function.

See the “MultiTrack Interconnect” on page 2–22 section for more information on register chain interconnect.

## Clear & Preset Logic Control

LAB-wide signals control the logic for the register's clear and load/preset signals. The ALM directly supports an asynchronous clear and preset function. The register preset is achieved through the asynchronous load of a logic high. The direct asynchronous preset does not require a NOT-gate push-back technique. Stratix II devices support simultaneous asynchronous load/preset, and clear signals. An asynchronous clear signal takes precedence if both signals are asserted simultaneously. Each LAB supports up to two clears and one load/preset signal.

In addition to the clear and load/preset ports, Stratix II devices provide a device-wide reset pin (`DEV_CLRn`) that resets all registers in the device. An option set before compilation in the Quartus II software controls this pin. This device-wide reset overrides all other control signals.

## MultiTrack Interconnect

In the Stratix II architecture, connections between ALMs, TriMatrix memory, DSP blocks, and device I/O pins are provided by the MultiTrack interconnect structure with DirectDrive™ technology. The MultiTrack interconnect consists of continuous, performance-optimized routing lines of different lengths and speeds used for inter- and intra-design block connectivity. The Quartus II Compiler automatically places critical design paths on faster interconnects to improve design performance.

DirectDrive technology is a deterministic routing technology that ensures identical routing resource usage for any function regardless of placement in the device. The MultiTrack interconnect and DirectDrive technology simplify the integration stage of block-based designing by eliminating the re-optimization cycles that typically follow design changes and additions.

The MultiTrack interconnect consists of row and column interconnects that span fixed distances. A routing structure with fixed length resources for all devices allows predictable and repeatable performance when migrating through different device densities. Dedicated row interconnects route signals to and from LABs, DSP blocks, and TriMatrix memory in the same row. These row resources include:

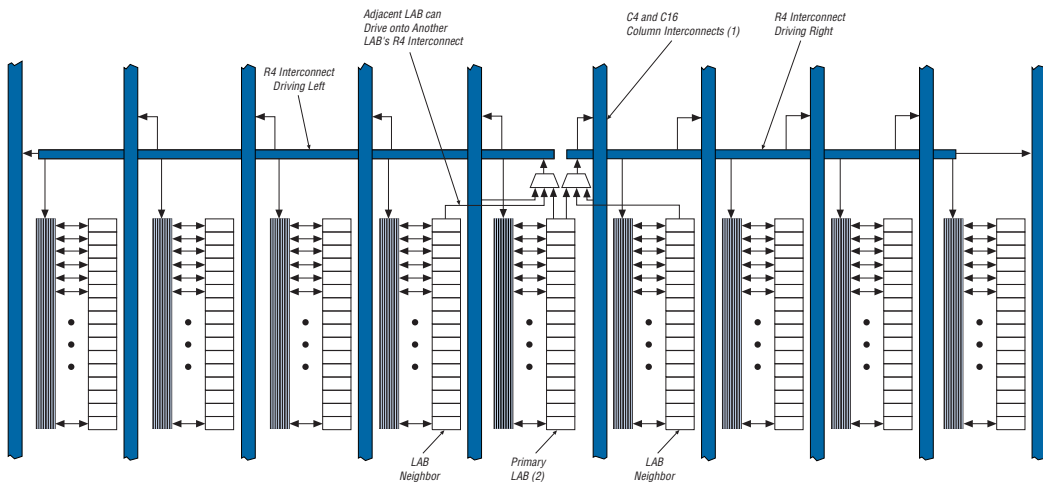
- Direct link interconnects between LABs and adjacent blocks
- R4 interconnects traversing four blocks to the right or left
- R24 row interconnects for high-speed access across the length of the device



The direct link interconnect allows an LAB, DSP block, or TriMatrix memory block to drive into the local interconnect of its left and right neighbors and then back into itself. This provides fast communication between adjacent LABs and/or blocks without using row interconnect resources.

The R4 interconnects span four LABs, three LABs and one M512 RAM block, two LABs and one M4K RAM block, or two LABs and one DSP block to the right or left of a source LAB. These resources are used for fast row connections in a four-LAB region. Every LAB has its own set of R4 interconnects to drive either left or right. [Figure 2–16](#) shows R4 interconnect connections from an LAB. R4 interconnects can drive and be driven by DSP blocks and RAM blocks and row IOEs. For LAB interfacing, a primary LAB or LAB neighbor can drive a given R4 interconnect. For R4 interconnects that drive to the right, the primary LAB and right neighbor can drive on to the interconnect. For R4 interconnects that drive to the left, the primary LAB and its left neighbor can drive on to the interconnect. R4 interconnects can drive other R4 interconnects to extend the range of LABs they can drive. R4 interconnects can also drive C4 and C16 interconnects for connections from one row to another. Additionally, R4 interconnects can drive R24 interconnects.

**Figure 2–16. R4 Interconnect Connections** Notes (1), (2), (3)



**Notes to Figure 2–16:**

- (1) C4 and C16 interconnects can drive R4 interconnects.
- (2) This pattern is repeated for every LAB in the LAB row.
- (3) The LABs in [Figure 2–16](#) show the 16 possible logical outputs per LAB.

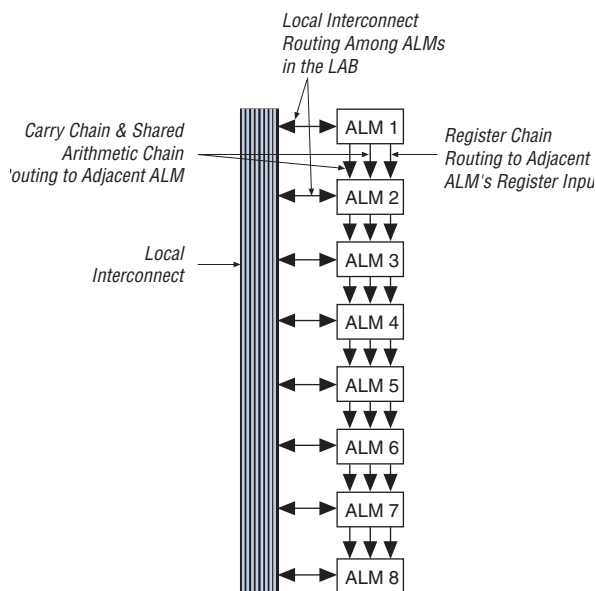
R24 row interconnects span 24 LABs and provide the fastest resource for long row connections between LABs, TriMatrix memory, DSP blocks, and Row IOEs. The R24 row interconnects can cross M-RAM blocks. R24 row interconnects drive to other row or column interconnects at every fourth LAB and do not drive directly to LAB local interconnects. R24 row interconnects drive LAB local interconnects via R4 and C4 interconnects. R24 interconnects can drive R24, R4, C16, and C4 interconnects.

The column interconnect operates similarly to the row interconnect and vertically routes signals to and from LABs, TriMatrix memory, DSP blocks, and IOEs. Each column of LABs is served by a dedicated column interconnect. These column resources include:

- Shared arithmetic chain interconnects in an LAB
- Carry chain interconnects in an LAB and from LAB to LAB
- Register chain interconnects in an LAB
- C4 interconnects traversing a distance of four blocks in up and down direction
- C16 column interconnects for high-speed vertical routing through the device

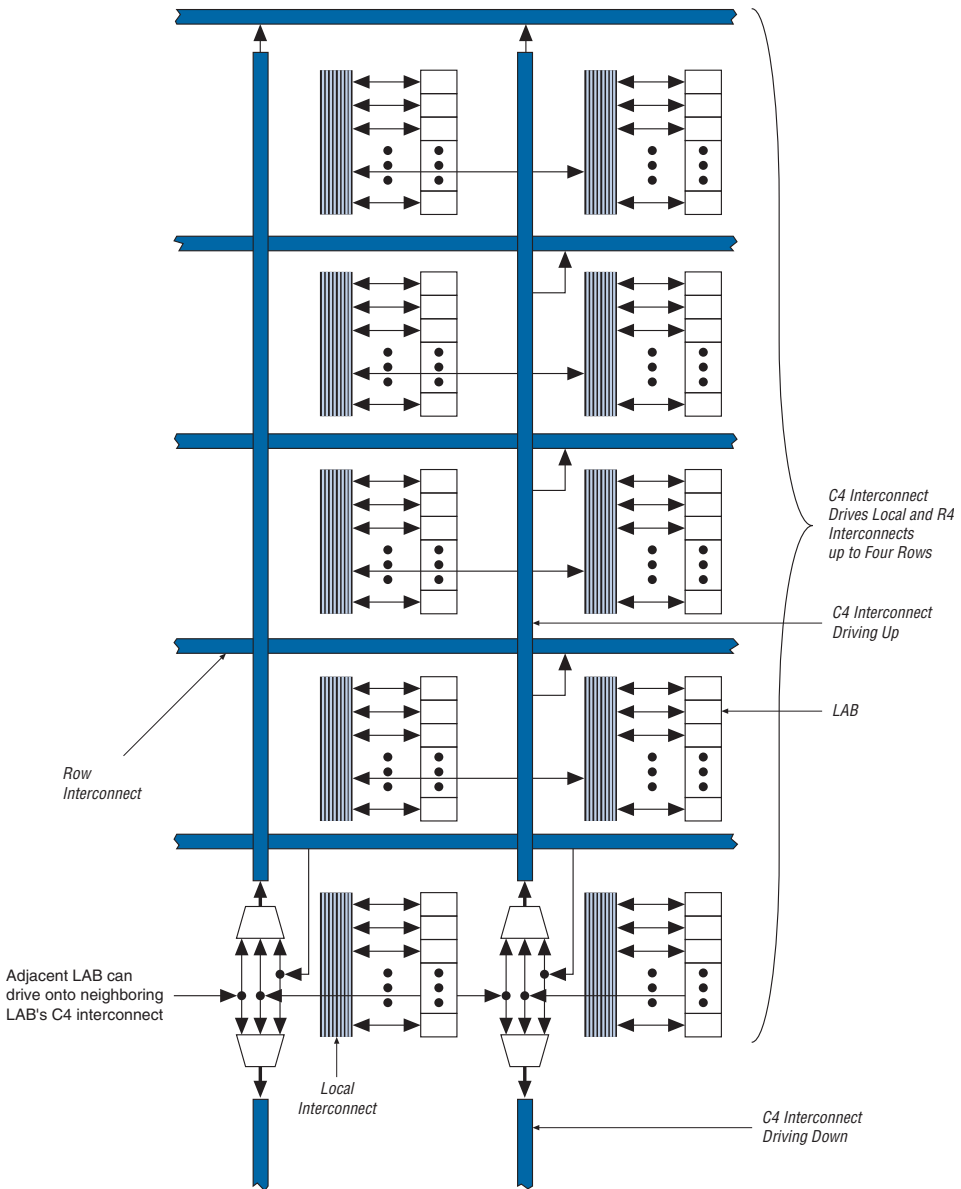
Stratix II devices include an enhanced interconnect structure in LABs for routing shared arithmetic chains and carry chains for efficient arithmetic functions. The register chain connection allows the register output of one ALM to connect directly to the register input of the next ALM in the LAB for fast shift registers. These ALM to ALM connections bypass the local interconnect. The Quartus II Compiler automatically takes advantage of these resources to improve utilization and performance. [Figure 2-17](#) shows the shared arithmetic chain, carry chain and register chain interconnects.

**Figure 2–17. Shared Arithmetic Chain, Carry Chain & Register Chain Interconnects**



The C4 interconnects span four LABs, M512, or M4K blocks up or down from a source LAB. Every LAB has its own set of C4 interconnects to drive either up or down. [Figure 2–18](#) shows the C4 interconnect connections from an LAB in a column. The C4 interconnects can drive and be driven by all types of architecture blocks, including DSP blocks, TriMatrix memory blocks, and column and row IOEs. For LAB interconnection, a primary LAB or its LAB neighbor can drive a given C4 interconnect. C4 interconnects can drive each other to extend their range as well as drive row interconnects for column-to-column connections.

Figure 2-18. C4 Interconnect Connections Note (1)



Note to Figure 2-18:

(1) Each C4 interconnect can drive either up or down four rows.

C16 column interconnects span a length of 16 LABs and provide the fastest resource for long column connections between LABs, TriMatrix memory blocks, DSP blocks, and IOEs. C16 interconnects can cross M-RAM blocks and also drive to row and column interconnects at every fourth LAB. C16 interconnects drive LAB local interconnects via C4 and R4 interconnects and do not drive LAB local interconnects directly.

All embedded blocks communicate with the logic array similar to LAB-to-LAB interfaces. Each block (that is, TriMatrix memory and DSP blocks) connects to row and column interconnects and has local interconnect regions driven by row and column interconnects. These blocks also have direct link interconnects for fast connections to and from a neighboring LAB. All blocks are fed by the row LAB clocks, `labclk[5..0]`.

Table 2–2 shows the Stratix II device’s routing scheme.

**Table 2–2. Stratix II Device Routing Scheme (Part 1 of 2)**

| Source                   | Destination             |             |                |                    |                          |                 |                  |                 |                  |     |                |               |             |            |            |         |
|--------------------------|-------------------------|-------------|----------------|--------------------|--------------------------|-----------------|------------------|-----------------|------------------|-----|----------------|---------------|-------------|------------|------------|---------|
|                          | Shared Arithmetic Chain | Carry Chain | Register Chain | Local Interconnect | Direct Link Interconnect | R4 Interconnect | R24 Interconnect | C4 Interconnect | C16 Interconnect | ALM | M512 RAM Block | M4K RAM Block | M-RAM Block | DSP Blocks | Column IOE | Row IOE |
| Shared arithmetic chain  |                         |             |                |                    |                          |                 |                  |                 |                  | ✓   |                |               |             |            |            |         |
| Carry chain              |                         |             |                |                    |                          |                 |                  |                 |                  | ✓   |                |               |             |            |            |         |
| Register chain           |                         |             |                |                    |                          |                 |                  |                 |                  | ✓   |                |               |             |            |            |         |
| Local interconnect       |                         |             |                |                    |                          |                 |                  |                 |                  | ✓   | ✓              | ✓             | ✓           | ✓          | ✓          | ✓       |
| Direct link interconnect |                         |             |                | ✓                  |                          |                 |                  |                 |                  |     |                |               |             |            |            |         |
| R4 interconnect          |                         |             |                | ✓                  |                          | ✓               | ✓                | ✓               | ✓                |     |                |               |             |            |            |         |
| R24 interconnect         |                         |             |                |                    |                          | ✓               | ✓                | ✓               | ✓                |     |                |               |             |            |            |         |
| C4 interconnect          |                         |             |                | ✓                  |                          | ✓               |                  | ✓               |                  |     |                |               |             |            |            |         |
| C16 interconnect         |                         |             |                |                    |                          | ✓               | ✓                | ✓               | ✓                |     |                |               |             |            |            |         |
| ALM                      | ✓                       | ✓           | ✓              | ✓                  | ✓                        | ✓               |                  | ✓               |                  |     |                |               |             |            |            |         |
| M512 RAM block           |                         |             |                | ✓                  | ✓                        | ✓               |                  | ✓               |                  |     |                |               |             |            |            |         |
| M4K RAM block            |                         |             |                | ✓                  | ✓                        | ✓               |                  | ✓               |                  |     |                |               |             |            |            |         |
| M-RAM block              |                         |             |                |                    | ✓                        | ✓               | ✓                | ✓               |                  |     |                |               |             |            |            |         |
| DSP blocks               |                         |             |                |                    | ✓                        | ✓               |                  | ✓               |                  |     |                |               |             |            |            |         |

Table 2–2. Stratix II Device Routing Scheme (Part 2 of 2)

| Source     | Destination             |             |                |                    |                          |                 |                  |                 |                  |     |                |               |             |            |            |         |
|------------|-------------------------|-------------|----------------|--------------------|--------------------------|-----------------|------------------|-----------------|------------------|-----|----------------|---------------|-------------|------------|------------|---------|
|            | Shared Arithmetic Chain | Carry Chain | Register Chain | Local Interconnect | Direct Link Interconnect | R4 Interconnect | R24 Interconnect | C4 Interconnect | C16 Interconnect | ALM | M512 RAM Block | M4K RAM Block | M-RAM Block | DSP Blocks | Column IOE | Row IOE |
| Column IOE |                         |             |                |                    | ✓                        |                 |                  | ✓               | ✓                |     |                |               |             |            |            |         |
| Row IOE    |                         |             |                |                    | ✓                        | ✓               | ✓                | ✓               |                  |     |                |               |             |            |            |         |

## TriMatrix Memory

TriMatrix memory consists of three types of RAM blocks: M512, M4K, and M-RAM. Although these memory blocks are different, they can all implement various types of memory with or without parity, including true dual-port, simple dual-port, and single-port RAM, ROM, and FIFO buffers. Table 2–3 shows the size and features of the different RAM blocks.

Table 2–3. TriMatrix Memory Features (Part 1 of 2)

| Memory Feature               | M512 RAM Block<br>(32 × 18 Bits) | M4K RAM Block<br>(128 × 36 Bits) | M-RAM Block<br>(4K × 144 Bits) |
|------------------------------|----------------------------------|----------------------------------|--------------------------------|
| Maximum performance          | 500 MHz                          | 550 MHz                          | 420 MHz                        |
| True dual-port memory        |                                  | ✓                                | ✓                              |
| Simple dual-port memory      | ✓                                | ✓                                | ✓                              |
| Single-port memory           | ✓                                | ✓                                | ✓                              |
| Shift register               | ✓                                | ✓                                |                                |
| ROM                          | ✓                                | ✓                                | (1)                            |
| FIFO buffer                  | ✓                                | ✓                                | ✓                              |
| Pack mode                    |                                  | ✓                                | ✓                              |
| Byte enable                  | ✓                                | ✓                                | ✓                              |
| Address clock enable         |                                  | ✓                                | ✓                              |
| Parity bits                  | ✓                                | ✓                                | ✓                              |
| Mixed clock mode             | ✓                                | ✓                                | ✓                              |
| Memory initialization (.mif) | ✓                                | ✓                                |                                |

**Table 2–3. TriMatrix Memory Features (Part 2 of 2)**

| Memory Feature                                 | M512 RAM Block<br>(32 × 18 Bits)  | M4K RAM Block<br>(128 × 36 Bits)   | M-RAM Block<br>(4K × 144 Bits)   |
|--|---|--|--|
| Simple dual-port memory<br>mixed width support | ✓   | ✓  | ✓  |
| True dual-port memory<br>mixed width support   |   | ✓  | ✓  |
| Power-up conditions                            | Outputs cleared   | Outputs cleared  | Outputs unknown  |
| Register clears                                | Output registers  | Output registers   | Output registers   |
| Mixed-port read-during-write                   | Unknown output/old data   | Unknown output/old data  | Unknown output   |
| Configurations                                 | 512 × 1<br>256 × 2<br>128 × 4<br>64 × 8<br>64 × 9<br>32 × 16<br>32 × 18 | 4K × 1<br>2K × 2<br>1K × 4<br>512 × 8<br>512 × 9<br>256 × 16<br>256 × 18<br>128 × 32<br>128 × 36 | 64K × 8<br>64K × 9<br>32K × 16<br>32K × 18<br>16K × 32<br>16K × 36<br>8K × 64<br>8K × 72<br>4K × 128<br>4K × 144 |

**Notes to Table 2–3:**

- (1) The M-RAM block does not support memory initializations. However, the M-RAM block can emulate a ROM function using a dual-port RAM block. The Stratix II device must write to the dual-port memory once and then disable the write-enable ports afterwards.

## Memory Block Size

TriMatrix memory provides three different memory sizes for efficient application support. The Quartus II software automatically partitions the user-defined memory into the embedded memory blocks using the most efficient size combinations. You can also manually assign the memory to a specific block size or a mixture of block sizes.

When applied to input registers, the asynchronous clear signal for the TriMatrix embedded memory immediately clears the input registers. However, the output of the memory block does not show the effects until the next clock edge. When applied to output registers, the asynchronous clear signal clears the output registers and the effects are seen immediately.

### M512 RAM Block

The M512 RAM block is a simple dual-port memory block and is useful for implementing small FIFO buffers, DSP, and clock domain transfer applications. Each block contains 576 RAM bits (including parity bits). M512 RAM blocks can be configured in the following modes:

- Simple dual-port RAM
- Single-port RAM
- FIFO
- ROM
- Shift register



Violating the setup or hold time on the memory block address registers could corrupt memory contents. This applies to both read and write operations.

When configured as RAM or ROM, you can use an initialization file to pre-load the memory contents.

M512 RAM blocks can have different clocks on its inputs and outputs. The `wren`, `datain`, and write address registers are all clocked together from one of the two clocks feeding the block. The read address, `rden`, and output registers can be clocked by either of the two clocks driving the block. This allows the RAM block to operate in read/write or input/output clock modes. Only the output register can be bypassed. The six `labclk` signals or local interconnect can drive the `inclk`, `outclock`, `wren`, `rden`, and `outclr` signals. Because of the advanced interconnect between the LAB and M512 RAM blocks, ALMs can also control the `wren` and `rden` signals and the RAM clock, clock enable, and asynchronous clear signals. [Figure 2-19](#) shows the M512 RAM block control signal generation logic.

The RAM blocks in Stratix II devices have local interconnects to allow ALMs and interconnects to drive into RAM blocks. The M512 RAM block local interconnect is driven by the R4, C4, and direct link interconnects from adjacent LABs. The M512 RAM blocks can communicate with LABs on either the left or right side through these row interconnects or with LAB columns on the left or right side with the column interconnects. The M512 RAM block has up to 16 direct link input connections from the left adjacent LABs and another 16 from the right adjacent LAB. M512 RAM outputs can also connect to left and right LABs through direct link interconnect. The M512 RAM block has equal opportunity for access and performance to and from LABs on either its left or right side. [Figure 2-20](#) shows the M512 RAM block to logic array interface.



**Figure 2-19. M512 RAM Block Control Signals**



Figure 2–20. M512 RAM Block LAB Row Interface



### M4K RAM Blocks

The M4K RAM block includes support for true dual-port RAM. The M4K RAM block is used to implement buffers for a wide variety of applications such as storing processor code, implementing lookup schemes, and implementing larger memory applications. Each block contains 4,608 RAM bits (including parity bits). M4K RAM blocks can be configured in the following modes:

- True dual-port RAM
- Simple dual-port RAM
- Single-port RAM
- FIFO
- ROM
- Shift register

When configured as RAM or ROM, you can use an initialization file to pre-load the memory contents.

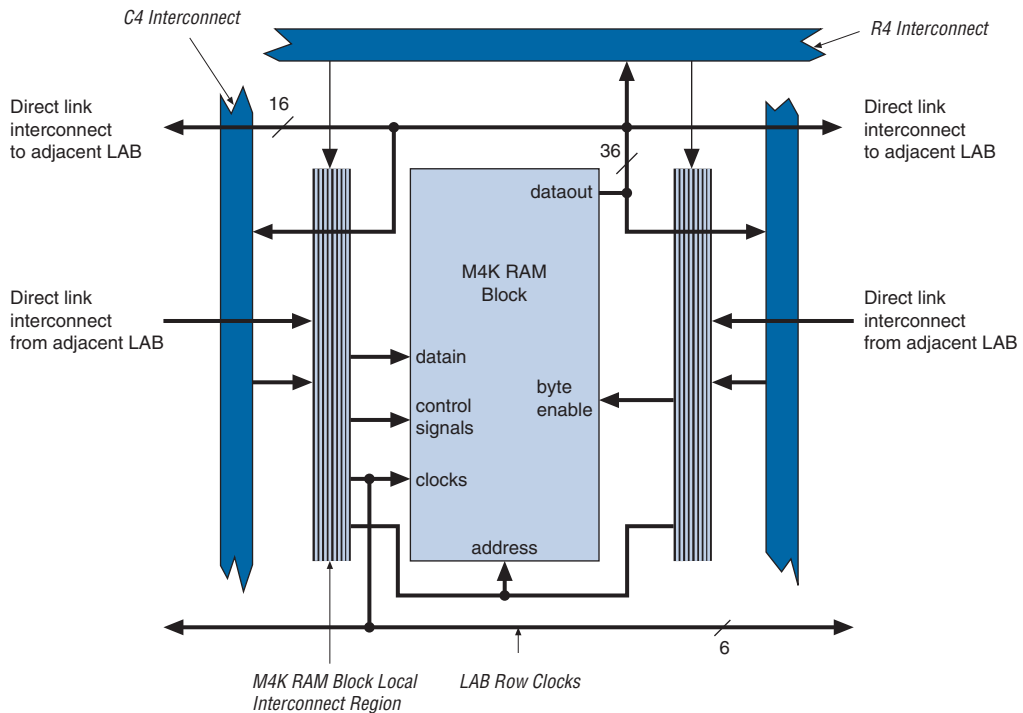
The M4K RAM blocks allow for different clocks on their inputs and outputs. Either of the two clocks feeding the block can clock M4K RAM block registers (renwe, address, byte enable, datain, and output registers). Only the output register can be bypassed. The six `labclk` signals or local interconnects can drive the control signals for the A and B ports of the M4K RAM block. ALMs can also control the `clock_a`, `clock_b`, `renwe_a`, `renwe_b`, `clr_a`, `clr_b`, `clocken_a`, and `clocken_b` signals, as shown in Figure 2-21.

The R4, C4, and direct link interconnects from adjacent LABs drive the M4K RAM block local interconnect. The M4K RAM blocks can communicate with LABs on either the left or right side through these row resources or with LAB columns on either the right or left with the column resources. Up to 16 direct link input connections to the M4K RAM Block are possible from the left adjacent LABs and another 16 possible from the right adjacent LAB. M4K RAM block outputs can also connect to left and right LABs through direct link interconnect. Figure 2-22 shows the M4K RAM block to logic array interface.

**Figure 2-21. M4K RAM Block Control Signals**



Figure 2–22. M4K RAM Block LAB Row Interface



### M-RAM Block

The largest TriMatrix memory block, the M-RAM block, is useful for applications where a large volume of data must be stored on-chip. Each block contains 589,824 RAM bits (including parity bits). The M-RAM block can be configured in the following modes:

- True dual-port RAM
- Simple dual-port RAM
- Single-port RAM
- FIFO

You cannot use an initialization file to initialize the contents of an M-RAM block. All M-RAM block contents power up to an undefined value. Only synchronous operation is supported in the M-RAM block, so all inputs are registered. Output registers can be bypassed.

Similar to all RAM blocks, M-RAM blocks can have different clocks on their inputs and outputs. Either of the two clocks feeding the block can clock M-RAM block registers (renwe, address, byte enable, datain, and output registers). The output register can be bypassed. The six labclk signals or local interconnect can drive the control signals for the A and B ports of the M-RAM block. ALMs can also control the clock\_a, clock\_b, renwe\_a, renwe\_b, clr\_a, clr\_b, clocken\_a, and clocken\_b signals as shown in Figure 2-23.

**Figure 2-23. M-RAM Block Control Signals**



The R4, R24, C4, and direct link interconnects from adjacent LABs on either the right or left side drive the M-RAM block local interconnect. Up to 16 direct link input connections to the M-RAM block are possible from the left adjacent LABs and another 16 possible from the right adjacent LAB. M-RAM block outputs can also connect to left and right LABs through direct link interconnect. Figure 2-24 shows an example floorplan for the EP2S130 device and the location of the M-RAM interfaces. Figures 2-25 and 2-26 show the interface between the M-RAM block and the logic array.

**Figure 2–24. EP2S130 Device with M-RAM Interface Locations** *Note (1)*



**Note to Figure 2–24:**

(1) The device shown is an EP2S130 device. The number and position of M-RAM blocks varies in other devices.

**Figure 2–25. M-RAM Block LAB Row Interface** *Note (1)***Note to Figure 2–25:**

(1) Only R24 and C16 interconnects cross the M-RAM block boundaries.

**Figure 2–26. M-RAM Row Unit Interface to Interconnect**



Table 2–4 shows the input and output data signal connections along with the address and control signal input connections to the row unit interfaces (L0 to L5 and R0 to R5).



**Table 2–4. M-RAM Row Interface Unit Signals**

| Unit Interface Block | Input Signals   | Output Signals    |
|----------------------|---|-------------------|
| L0                   | datain_a[14..0]<br>byteena_a[1..0]  | dataout_a[11..0]  |
| L1                   | datain_a[29..15]<br>byteena_a[3..2]   | dataout_a[23..12] |
| L2                   | datain_a[35..30]<br>addressa[4..0]<br>addr_ena_a<br>clock_a<br>clocken_a<br>renwe_a<br>aclr_a | dataout_a[35..24] |
| L3                   | addressa[15..5]<br>datain_a[41..36]   | dataout_a[47..36] |
| L4                   | datain_a[56..42]<br>byteena_a[5..4]   | dataout_a[59..48] |
| L5                   | datain_a[71..57]<br>byteena_a[7..6]   | dataout_a[71..60] |
| R0                   | datain_b[14..0]<br>byteena_b[1..0]  | dataout_b[11..0]  |
| R1                   | datain_b[29..15]<br>byteena_b[3..2]   | dataout_b[23..12] |
| R2                   | datain_b[35..30]<br>addressb[4..0]<br>addr_ena_b<br>clock_b<br>clocken_b<br>renwe_b<br>aclr_b | dataout_b[35..24] |
| R3                   | addressb[15..5]<br>datain_b[41..36]   | dataout_b[47..36] |
| R4                   | datain_b[56..42]<br>byteena_b[5..4]   | dataout_b[59..48] |
| R5                   | datain_b[71..57]<br>byteena_b[7..6]   | dataout_b[71..60] |



See the *TriMatrix Embedded Memory Blocks in Stratix II & Stratix II GX Devices* chapter in volume 2 of the *Stratix II Device Handbook* or the *Stratix II GX Device Handbook* for more information on TriMatrix memory.

## Digital Signal Processing Block

The most commonly used DSP functions are FIR filters, complex FIR filters, IIR filters, fast Fourier transform (FFT) functions, direct cosine transform (DCT) functions, and correlators. All of these use the multiplier as the fundamental building block. Additionally, some applications need specialized operations such as multiply-add and multiply-accumulate operations. Stratix II devices provide DSP blocks to meet the arithmetic requirements of these functions.

Each Stratix II device has from two to four columns of DSP blocks to efficiently implement DSP functions faster than ALM-based implementations. Stratix II devices have up to 24 DSP blocks per column (see [Table 2-5](#)). Each DSP block can be configured to support up to:

- Eight  $9 \times 9$ -bit multipliers
- Four  $18 \times 18$ -bit multipliers
- One  $36 \times 36$ -bit multiplier

As indicated, the Stratix II DSP block can support one  $36 \times 36$ -bit multiplier in a single DSP block. This is true for any combination of signed, unsigned, or mixed sign multiplications.



This list only shows functions that can fit into a single DSP block. Multiple DSP blocks can support larger multiplication functions.

Figure 2–27 shows one of the columns with surrounding LAB rows.

**Figure 2–27. DSP Blocks Arranged in Columns**



Table 2–5 shows the number of DSP blocks in each Stratix II device.

| <i>Table 2–5. DSP Blocks in Stratix II Devices Note (1)</i> |            |                         |                           |                           |
|---|------------|-------------------------|---------------------------|---------------------------|
| Device  | DSP Blocks | Total 9 × 9 Multipliers | Total 18 × 18 Multipliers | Total 36 × 36 Multipliers |
| EP2S15  | 12         | 96                      | 48                        | 12                        |
| EP2S30  | 16         | 128                     | 64                        | 16                        |
| EP2S60  | 36         | 288                     | 144                       | 36                        |
| EP2S90  | 48         | 384                     | 192                       | 48                        |
| EP2S130   | 63         | 504                     | 252                       | 63                        |
| EP2S180   | 96         | 768                     | 384                       | 96                        |

**Note to Table 2–5:**

- (1) Each device has either the numbers of 9 × 9-, 18 × 18-, or 36 × 36-bit multipliers shown. The total number of multipliers for each device is not the sum of all the multipliers.

DSP block multipliers can optionally feed an adder/subtractor or accumulator in the block depending on the configuration. This makes routing to ALMs easier, saves ALM routing resources, and increases performance, because all connections and blocks are in the DSP block. Additionally, the DSP block input registers can efficiently implement shift registers for FIR filter applications, and DSP blocks support Q1.15 format rounding and saturation.

Figure 2–28 shows the top-level diagram of the DSP block configured for 18 × 18-bit multiplier mode.

**Figure 2–28. DSP Block Diagram for 18 × 18-Bit Configuration**



## Modes of Operation

The adder, subtractor, and accumulate functions of a DSP block have four modes of operation:

- Simple multiplier
- Multiply-accumulator
- Two-multipliers adder
- Four-multipliers adder

Table 2–6 shows the different number of multipliers possible in each DSP block mode according to size. These modes allow the DSP blocks to implement numerous applications for DSP including FFTs, complex FIR, FIR, and 2D FIR filters, equalizers, IIR, correlators, matrix multiplication and many other functions. The DSP blocks also support mixed modes and mixed multiplier sizes in the same block. For example, half of one DSP block can implement one  $18 \times 18$ -bit multiplier in multiply-accumulator mode, while the other half of the DSP block implements four  $9 \times 9$ -bit multipliers in simple multiplier mode.

| DSP Block Mode         | $9 \times 9$  | $18 \times 18$   | $36 \times 36$                         |
|------------------------|---|--|--|
| Multiplier             | Eight multipliers with eight product outputs                  | Four multipliers with four product outputs                     | One multiplier with one product output |
| Multiply-accumulator   | -   | Two 52-bit multiply-accumulate blocks                          | -                                      |
| Two-multipliers adder  | Four two-multiplier adder (two $9 \times 9$ complex multiply) | Two two-multiplier adder (one $18 \times 18$ complex multiply) | -                                      |
| Four-multipliers adder | Two four-multiplier adder                                     | One four-multiplier adder                                      | -                                      |

## DSP Block Interface

Stratix II device DSP block input registers can generate a shift register that can cascade down in the same DSP block column. Dedicated connections between DSP blocks provide fast connections between the shift register inputs to cascade the shift register chains. You can cascade registers within multiple DSP blocks for  $9 \times 9$ - or  $18 \times 18$ -bit FIR filters larger than four taps, with additional adder stages implemented in ALMs. If the DSP block is configured as  $36 \times 36$  bits, the adder, subtractor, or accumulator stages are implemented in ALMs. Each DSP block can route the shift register chain out of the block to cascade multiple columns of DSP blocks.

The DSP block is divided into four block units that interface with four LAB rows on the left and right. Each block unit can be considered one complete  $18 \times 18$ -bit multiplier with 36 inputs and 36 outputs. A local interconnect region is associated with each DSP block. Like an LAB, this interconnect region can be fed with 16 direct link interconnects from the LAB to the left or right of the DSP block in the same row. R4 and C4 routing resources can access the DSP block's local interconnect region. The outputs also work similarly to LAB outputs as well. Eighteen outputs from the DSP block can drive to the left LAB through direct link interconnects and eighteen can drive to the right LAB through direct link interconnects. All 36 outputs can drive to R4 and C4 routing interconnects. Outputs can drive right- or left-column routing. [Figures 2-29](#) and [2-30](#) show the DSP block interfaces to LAB rows.

**Figure 2-29. DSP Block Interconnect Interface**



**Figure 2–30. DSP Block Interface to Interconnect**



A bus of 44 control signals feeds the entire DSP block. These signals include clocks, asynchronous clears, clock enables, signed/unsigned control signals, addition and subtraction control signals, rounding and saturation control signals, and accumulator synchronous loads. The clock signals are routed from LAB row clocks and are generated from specific LAB rows at the DSP block interface.



The LAB row source for control signals, data inputs, and outputs is shown in [Table 2-7](#).

| <b>LAB Row at Interface</b> | <b>Control Signals Generated</b>  | <b>Data Inputs</b>     | <b>Data Outputs</b>    |
|-----------------------------|---|------------------------|------------------------|
| 0                           | clock0<br>aclr0<br>ena0<br>mult01_saturate<br>addnsub1_round/ accum_round<br>addnsub1<br>signa<br>sourcea<br>sourceb  | A1[17..0]<br>B1[17..0] | OA[17..0]<br>OB[17..0] |
| 1                           | clock1<br>aclr1<br>ena1<br>accum_saturate<br>mult01_round<br>accum_sload<br>sourcea<br>sourceb<br>mode0               | A2[17..0]<br>B2[17..0] | OC[17..0]<br>OD[17..0] |
| 2                           | clock2<br>aclr2<br>ena2<br>mult23_saturate<br>addnsub3_round/ accum_round<br>addnsub3<br>sign_b<br>sourcea<br>sourceb | A3[17..0]<br>B3[17..0] | OE[17..0]<br>OF[17..0] |
| 3                           | clock3<br>aclr3<br>ena3<br>accum_saturate<br>mult23_round<br>accum_sload<br>sourcea<br>sourceb<br>mode1               | A4[17..0]<br>B4[17..0] | OG[17..0]<br>OH[17..0] |



See the *DSP Blocks in Stratix II & Stratix II GX Devices* chapter in volume 2 of the *Stratix II Device Handbook* or the *Stratix II GX Device Handbook*, for more information on DSP blocks.

## PLLs & Clock Networks

Stratix II devices provide a hierarchical clock structure and multiple PLLs with advanced features. The large number of clocking resources in combination with the clock synthesis precision provided by enhanced and fast PLLs provides a complete clock management solution.

### Global & Hierarchical Clocking

Stratix II devices provide 16 dedicated global clock networks and 32 regional clock networks (eight per device quadrant). These clocks are organized into a hierarchical clock structure that allows for up to 24 clocks per device region with low skew and delay. This hierarchical clocking scheme provides up to 48 unique clock domains in Stratix II devices.

There are 16 dedicated clock pins ( $CLK[15..0]$ ) to drive either the global or regional clock networks. Four clock pins drive each side of the device, as shown in [Figures 2–31](#) and [2–32](#). Internal logic and enhanced and fast PLL outputs can also drive the global and regional clock networks. Each global and regional clock has a clock control block, which controls the selection of the clock source and dynamically enables/disables the clock to reduce power consumption. [Table 2–8](#) shows global and regional clock features.

| <b>Table 2–8. Global &amp; Regional Clock Features</b> |  |  |
|--|--|--|
| <b>Feature</b>   | <b>Global Clocks</b>                     | <b>Regional Clocks</b>                   |
| Number per device                                      | 16                                       | 32                                       |
| Number available per quadrant                          | 16                                       | 8  |
| Sources  | CLK pins, PLL outputs, or internal logic | CLK pins, PLL outputs, or internal logic |
| Dynamic clock source selection                         | ✓ (1)                                    |  |
| Dynamic enable/disable                                 | ✓  | ✓  |

**Note to Table 2–8:**

- (1) Dynamic source clock selection is supported for selecting between CLK<sub>p</sub> pins and PLL outputs only.

### Global Clock Network

These clocks drive throughout the entire device, feeding all device quadrants. The global clock networks can be used as clock sources for all resources in the device-IOEs, ALMs, DSP blocks, and all memory blocks. These resources can also be used for control signals, such as clock enables and synchronous or asynchronous clears fed from the external pin. The

global clock networks can also be driven by internal logic for internally generated global clocks and asynchronous clears, clock enables, or other control signals with large fanout. Figure 2–31 shows the 16 dedicated CLK pins driving global clock networks.

**Figure 2–31. Global Clocking**



### *Regional Clock Network*

There are eight regional clock networks  $RCLK [7 . . 0]$  in each quadrant of the Stratix II device that are driven by the dedicated  $CLK [15 . . 0]$  input pins, by PLL outputs, or by internal logic. The regional clock networks provide the lowest clock delay and skew for logic contained in a single quadrant. The CLK clock pins symmetrically drive the RCLK networks in a particular quadrant, as shown in Figure 2–32.

**Figure 2–32. Regional Clocks**



### Dual-Regional Clock Network

A single source (CLK pin or PLL output) can generate a dual-regional clock by driving two regional clock network lines in adjacent quadrants (one from each quadrant). This allows logic that spans multiple quadrants to utilize the same low skew clock. The routing of this clock signal on an entire side has approximately the same speed but slightly higher clock skew when compared with a clock signal that drives a single quadrant. Internal logic-array routing can also drive a dual-regional clock. Clock pins and enhanced PLL outputs on the top and bottom can drive horizontal dual-regional clocks. Clock pins and fast PLL outputs on the left and right can drive vertical dual-regional clocks, as shown in [Figure 2–33](#). Corner PLLs cannot drive dual-regional clocks.

**Figure 2–33. Dual-Regional Clocks**

### Combined Resources

Within each quadrant, there are 24 distinct dedicated clocking resources consisting of 16 global clock lines and eight regional clock lines. Multiplexers are used with these clocks to form busses to drive LAB row clocks, column IOE clocks, or row IOE clocks. Another multiplexer is used at the LAB level to select three of the six row clocks to feed the ALM registers in the LAB (see Figure 2–34).

**Figure 2–34. Hierarchical Clock Networks Per Quadrant**

IOE clocks have row and column block regions that are clocked by eight I/O clock signals chosen from the 24 quadrant clock resources. Figures 2-35 and 2-36 show the quadrant relationship to the I/O clock regions.

Figure 2-35. EP2S15 & EP2S30 Device I/O Clock Groups



**Figure 2–36. EP2S60, EP2S90, EP2S130 & EP2S180 Device I/O Clock Groups**

You can use the Quartus II software to control whether a clock input pin drives either a global, regional, or dual-regional clock network. The Quartus II software automatically selects the clocking resources if not specified.

### Clock Control Block

Each global clock, regional clock, and PLL external clock output has its own clock control block. The control block has two functions:

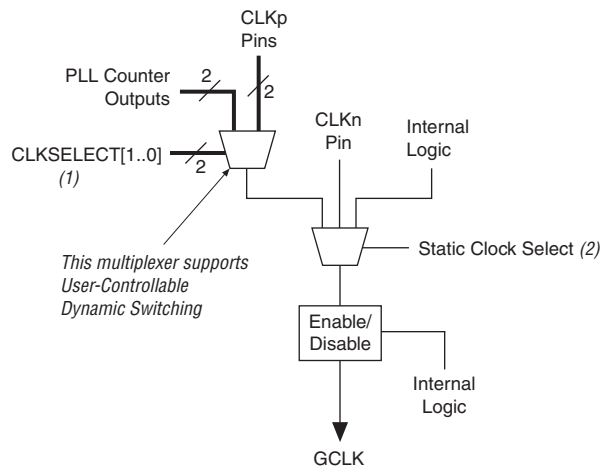
- Clock source selection (dynamic selection for global clocks)
- Clock power-down (dynamic clock enable/disable)



When using the global or regional clock control blocks in Stratix II devices to select between multiple clocks or to enable and disable clock networks, be aware of possible narrow pulses or glitches when switching from one clock signal to another. A glitch or runt pulse has a width that is less than the width of the highest frequency input clock signal. To prevent logic errors within the FPGA, Altera recommends that you build circuits that filter out glitches and runt pulses.

Figures 2–37 through 2–39 show the clock control block for the global clock, regional clock, and PLL external clock output, respectively.

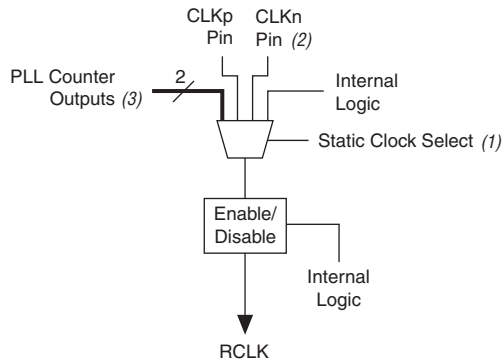
**Figure 2–37. Global Clock Control Blocks**



**Notes to Figure 2–37:**

- (1) These clock select signals can be dynamically controlled through internal logic when the device is operating in user mode.
- (2) These clock select signals can only be set through a configuration file (.sof or .pof) and cannot be dynamically controlled during user mode operation.



**Figure 2–38. Regional Clock Control Blocks****Notes to Figure 2–38:**

- (1) These clock select signals can only be set through a configuration file (.sof or .pof) and cannot be dynamically controlled during user mode operation.
- (2) Only the CLKn pins on the top and bottom of the device feed to regional clock select blocks. The clock outputs from corner PLLs cannot be dynamically selected through the global clock control block.
- (3) The clock outputs from corner PLLs cannot be dynamically selected through the global clock control block.

**Figure 2–39. External PLL Output Clock Control Blocks****Notes to Figure 2–39:**

- (1) These clock select signals can only be set through a configuration file (.sof or .pof) and cannot be dynamically controlled during user mode operation.
- (2) The clock control block feeds to a multiplexer within the PLL\_OUT pin's IOE. The PLL\_OUT pin is a dual-purpose pin. Therefore, this multiplexer selects either an internal signal or the output of the clock control block.

For the global clock control block, the clock source selection can be controlled either statically or dynamically. The user has the option of statically selecting the clock source by using the Quartus II software to set specific configuration bits in the configuration file (.sof or .pof) or the user can control the selection dynamically by using internal logic to drive the multiplexer select inputs. When selecting statically, the clock source can be set to any of the inputs to the select multiplexer. When selecting the clock source dynamically, you can either select between two PLL outputs (such as the C0 or C1 outputs from one PLL), between two PLLs (such as the C0/C1 clock output of one PLL or the C0/C1 clock output of the other PLL), between two clock pins (such as CLK0 or CLK1), or between a combination of clock pins or PLL outputs. The clock outputs from corner PLLs cannot be dynamically selected through the global control block.

For the regional and PLL\_OUT clock control block, the clock source selection can only be controlled statically using configuration bits. Any of the inputs to the clock select multiplexer can be set as the clock source.

The Stratix II clock networks can be disabled (powered down) by both static and dynamic approaches. When a clock net is powered down, all the logic fed by the clock net is in an off-state thereby reducing the overall power consumption of the device.

The global and regional clock networks can be powered down statically through a setting in the configuration (.sof or .pof) file. Clock networks that are not used are automatically powered down through configuration bit settings in the configuration file generated by the Quartus II software.

The dynamic clock enable/disable feature allows the internal logic to control power up/down synchronously on GCLK and RCLK nets and PLL\_OUT pins. This function is independent of the PLL and is applied directly on the clock network or PLL\_OUT pin, as shown in [Figures 2-37 through 2-39](#).



The following restrictions for the input clock pins apply:

- CLK0 pin -> inclk[0] of CLKCTRL
- CLK1 pin -> inclk[1] of CLKCTRL
- CLK2 pin -> inclk[0] of CLKCTRL
- CLK3 pin -> inclk[1] of CLKCTRL

In general, even CLK numbers connect to the inclk[0] port of CLKCTRL, and odd CLK numbers connect to the inclk[1] port of CLKCTRL.

Failure to comply with these restrictions will result in a no-fit error.

## Enhanced & Fast PLLs

Stratix II devices provide robust clock management and synthesis using up to four enhanced PLLs and eight fast PLLs. These PLLs increase performance and provide advanced clock interfacing and clock-frequency synthesis. With features such as clock switchover, spread-spectrum clocking, reconfigurable bandwidth, phase control, and reconfigurable phase shifting, the Stratix II device's enhanced PLLs provide you with complete control of clocks and system timing. The fast PLLs provide general purpose clocking with multiplication and phase shifting as well as high-speed outputs for high-speed differential I/O support. Enhanced and fast PLLs work together with the Stratix II high-speed I/O and advanced clock architecture to provide significant improvements in system performance and bandwidth.

The Quartus II software enables the PLLs and their features without requiring any external devices. Table 2-9 shows the PLLs available for each Stratix II device and their type.

**Table 2-9. Stratix II Device PLL Availability**

| Device      | Fast PLLs |   |   |   |   |   |   |    | Enhanced PLLs |   |    |    |
|-------------|-----------|---|---|---|---|---|---|----|---------------|---|----|----|
|             | 1         | 2 | 3 | 4 | 7 | 8 | 9 | 10 | 5             | 6 | 11 | 12 |
| EP2S15      | ✓         | ✓ | ✓ | ✓ |   |   |   |    | ✓             | ✓ |    |    |
| EP2S30      | ✓         | ✓ | ✓ | ✓ |   |   |   |    | ✓             | ✓ |    |    |
| EP2S60 (1)  | ✓         | ✓ | ✓ | ✓ | ✓ | ✓ | ✓ | ✓  | ✓             | ✓ | ✓  | ✓  |
| EP2S90 (2)  | ✓         | ✓ | ✓ | ✓ | ✓ | ✓ | ✓ | ✓  | ✓             | ✓ | ✓  | ✓  |
| EP2S130 (3) | ✓         | ✓ | ✓ | ✓ | ✓ | ✓ | ✓ | ✓  | ✓             | ✓ | ✓  | ✓  |
| EP2S180     | ✓         | ✓ | ✓ | ✓ | ✓ | ✓ | ✓ | ✓  | ✓             | ✓ | ✓  | ✓  |

**Notes to Table 2-9:**

- (1) EP2S60 devices in the 1020-pin package contain 12 PLLs. EP2S60 devices in the 484-pin and 672-pin packages contain fast PLLs 1-4 and enhanced PLLs 5 and 6.
- (2) EP2S90 devices in the 1020-pin and 1508-pin packages contain 12 PLLs. EP2S90 devices in the 484-pin and 780-pin packages contain fast PLLs 1-4 and enhanced PLLs 5 and 6.
- (3) EP2S130 devices in the 1020-pin and 1508-pin packages contain 12PLLs. The EP2S130 device in the 780-pin package contains fast PLLs 1-4 and enhanced PLLs 5 and 6.

Table 2–10 shows the enhanced PLL and fast PLL features in Stratix II devices.

| <b>Feature</b>                    | <b>Enhanced PLL</b>                          | <b>Fast PLL</b>                              |
|-----------------------------------|--|--|
| Clock multiplication and division | $m/(n \times \text{post-scale counter})$ (1) | $m/(n \times \text{post-scale counter})$ (2) |
| Phase shift                       | Down to 125-ps increments (3), (4)           | Down to 125-ps increments (3), (4)           |
| Clock switchover                  | ✓  | ✓ (5)  |
| PLL reconfiguration               | ✓  | ✓  |
| Reconfigurable bandwidth          | ✓  | ✓  |
| Spread spectrum clocking          | ✓  |  |
| Programmable duty cycle           | ✓  | ✓  |
| Number of internal clock outputs  | 6  | 4  |
| Number of external clock outputs  | Three differential/six single-ended          | (6)  |
| Number of feedback clock inputs   | One single-ended or differential<br>(7), (8) |  |

**Notes to Table 2–10:**

- (1) For enhanced PLLs,  $m$  ranges from 1 to 256, while  $n$  and post-scale counters range from 1 to 512 with 50% duty cycle.
- (2) For fast PLLs,  $m$ , and post-scale counters range from 1 to 32. The  $n$  counter ranges from 1 to 4.
- (3) The smallest phase shift is determined by the voltage controlled oscillator (VCO) period divided by 8.
- (4) For degree increments, Stratix II devices can shift all output frequencies in increments of at least 45. Smaller degree increments are possible depending on the frequency and divide parameters.
- (5) Stratix II fast PLLs only support manual clock switchover.
- (6) Fast PLLs can drive to any I/O pin as an external clock. For high-speed differential I/O pins, the device uses a data channel to generate txclkout.
- (7) If the feedback input is used, you lose one (or two, if FBIN is differential) external clock output pin.
- (8) Every Stratix II device has at least two enhanced PLLs with one single-ended or differential external feedback input per PLL.

Figure 2–40 shows a top-level diagram of the Stratix II device and PLL floorplan.

Figure 2–40. PLL Locations



Figures 2–41 and 2–42 shows the global and regional clocking from the fast PLL outputs and the side clock pins.

**Figure 2–41. Global & Regional Clock Connections from Center Clock Pins & Fast PLL Outputs** *Note (1)*



**Notes to Figure 2–41:**

- (1) EP2S15 and EP2S30 devices only have four fast PLLs (1, 2, 3, and 4), but the connectivity from these four fast PLLs to the global and regional clock networks remains the same as shown.
- (2) The global or regional clocks in a fast PLL's quadrant can drive the fast PLL input. The global or regional clock input can be driven by an output from another PLL, a pin-driven dedicated global or regional clock, or through a clock control block, provided the clock control block is fed by an output from another PLL or a pin-driven dedicated global or regional clock. An internally generated global signal cannot drive the PLL.

**Figure 2–42. Global & Regional Clock Connections from Corner Clock Pins & Fast PLL Outputs** *Note (1)*



**Note to Figure 2–42:**

- (1) The corner fast PLLs can also be driven through the global or regional clock networks. The global or regional clock input can be driven by an output from another PLL, a pin-driven dedicated global or regional clock, or through a clock control block, provided the clock control block is fed by an output from another PLL or a pin-driven dedicated global or regional clock. An internally generated global signal cannot drive the PLL.



Figure 2-43 shows the global and regional clocking from enhanced PLL outputs and top and bottom CLK pins. The connections to the global and regional clocks from the top clock pins and enhanced PLL outputs is shown in Table 2-11. The connections to the clocks from the bottom clock pins is shown in Table 2-12.

**Figure 2–43. Global & Regional Clock Connections from Top & Bottom Clock Pins & Enhanced PLL Outputs**  
*Notes (1), (2), and (3)*



**Notes to Figure 2–43:**

- (1) EP2S15 and EP2S30 devices only have two enhanced PLLs (5 and 6), but the connectivity from these two PLLs to the global and regional clock networks remains the same as shown.
- (2) If the design uses the feedback input, you lose one (or two, if FBIN is differential) external clock output pin.
- (3) The enhanced PLLs can also be driven through the global or regional clock networks. The global or regional clock input can be driven by an output from another PLL, a pin-driven dedicated global or regional clock, or through a clock control block provided the clock control block is fed by an output from another PLL or a pin-driven dedicated global or regional clock. An internally generated global signal cannot drive the PLL.

**Table 2–11. Global & Regional Clock Connections from Top Clock Pins & Enhanced PLL Outputs (Part 1 of 2)**

| Top Side Global & Regional Clock Network Connectivity | DLCLK | CLK12 | CLK13 | CLK14 | CLK15 | RCLK24 | RCLK25 | RCLK26 | RCLK27 | RCLK28 | RCLK29 | RCLK30 | RCLK31 |
|---|-------|-------|-------|-------|-------|--------|--------|--------|--------|--------|--------|--------|--------|
| Clock pins  |       |       |       |       |       |        |        |        |        |        |        |        |        |
| CLK12p  | ✓     | ✓     | ✓     |       |       | ✓      |        |        |        | ✓      |        |        |        |
| CLK13p  | ✓     | ✓     | ✓     |       |       |        | ✓      |        |        |        |        |        | ✓      |
| CLK14p  | ✓     |       |       | ✓     | ✓     |        |        | ✓      |        |        |        | ✓      |        |
| CLK15p  | ✓     |       |       | ✓     | ✓     |        |        |        | ✓      |        | ✓      |        |        |
| CLK12n  |       | ✓     |       |       |       | ✓      |        |        |        | ✓      |        |        |        |
| CLK13n  |       |       | ✓     |       |       |        | ✓      |        |        |        |        |        | ✓      |
| CLK14n  |       |       |       | ✓     |       |        |        | ✓      |        |        |        | ✓      |        |
| CLK15n  |       |       |       |       | ✓     |        |        |        | ✓      |        | ✓      |        |        |
| Drivers from internal logic                           |       |       |       |       |       |        |        |        |        |        |        |        |        |
| GCLKDRV0  |       | ✓     |       |       |       |        |        |        |        |        |        |        |        |
| GCLKDRV1  |       |       | ✓     |       |       |        |        |        |        |        |        |        |        |
| GCLKDRV2  |       |       |       | ✓     |       |        |        |        |        |        |        |        |        |
| GCLKDRV3  |       |       |       |       | ✓     |        |        |        |        |        |        |        |        |
| RCLKDRV0  |       |       |       |       |       | ✓      |        |        |        | ✓      |        |        |        |
| RCLKDRV1  |       |       |       |       |       |        | ✓      |        |        |        | ✓      |        |        |
| RCLKDRV2  |       |       |       |       |       |        |        | ✓      |        |        |        | ✓      |        |
| RCLKDRV3  |       |       |       |       |       |        |        |        | ✓      |        |        |        | ✓      |
| RCLKDRV4  |       |       |       |       |       | ✓      |        |        |        | ✓      |        |        |        |
| RCLKDRV5  |       |       |       |       |       |        | ✓      |        |        |        | ✓      |        |        |
| RCLKDRV6  |       |       |       |       |       |        |        | ✓      |        |        |        | ✓      |        |
| RCLKDRV7  |       |       |       |       |       |        |        |        | ✓      |        |        |        | ✓      |
| Enhanced PLL 5 outputs                                |       |       |       |       |       |        |        |        |        |        |        |        |        |
| c0  | ✓     | ✓     | ✓     |       |       | ✓      |        |        |        | ✓      |        |        |        |
| c1  | ✓     | ✓     | ✓     |       |       |        | ✓      |        |        |        | ✓      |        |        |
| c2  | ✓     |       |       | ✓     | ✓     |        |        | ✓      |        |        |        | ✓      |        |
| c3  | ✓     |       |       | ✓     | ✓     |        |        |        | ✓      |        |        |        | ✓      |

**Table 2–11. Global & Regional Clock Connections from Top Clock Pins & Enhanced PLL Outputs (Part 2 of 2)**

| Top Side Global & Regional Clock Network Connectivity | DLLCLK | CLK12 | CLK13 | CLK14 | CLK15 | RCLK24 | RCLK25 | RCLK26 | RCLK27 | RCLK28 | RCLK29 | RCLK30 | RCLK31 |
|---|--------|-------|-------|-------|-------|--------|--------|--------|--------|--------|--------|--------|--------|
| c4  | ✓      |       |       |       |       | ✓      |        | ✓      |        | ✓      |        | ✓      |        |
| c5  | ✓      |       |       |       |       |        | ✓      |        | ✓      |        | ✓      |        | ✓      |
| Enhanced PLL 11 outputs                               |        |       |       |       |       |        |        |        |        |        |        |        |        |
| c0  |        | ✓     | ✓     |       |       | ✓      |        |        |        | ✓      |        |        |        |
| c1  |        | ✓     | ✓     |       |       |        | ✓      |        |        |        | ✓      |        |        |
| c2  |        |       |       | ✓     | ✓     |        |        | ✓      |        |        |        | ✓      |        |
| c3  |        |       |       | ✓     | ✓     |        |        |        | ✓      |        |        |        | ✓      |
| c4  |        |       |       |       |       | ✓      |        | ✓      |        | ✓      |        | ✓      |        |
| c5  |        |       |       |       |       |        | ✓      |        | ✓      |        | ✓      |        | ✓      |

**Table 2–12. Global & Regional Clock Connections from Bottom Clock Pins & Enhanced PLL Outputs (Part 1 of 2)**

| Bottom Side Global & Regional Clock Network Connectivity | DLLCLK | CLK4 | CLK5 | CLK6 | CLK7 | RCLK8 | RCLK9 | RCLK10 | RCLK11 | RCLK12 | RCLK13 | RCLK14 | RCLK15 |
|--|--------|------|------|------|------|-------|-------|--------|--------|--------|--------|--------|--------|
| Clock pins   |        |      |      |      |      |       |       |        |        |        |        |        |        |
| CLK4p  | ✓      | ✓    | ✓    |      |      | ✓     |       |        |        | ✓      |        |        |        |
| CLK5p  | ✓      | ✓    | ✓    |      |      |       | ✓     |        |        |        | ✓      |        |        |
| CLK6p  | ✓      |      |      | ✓    | ✓    |       |       | ✓      |        |        |        | ✓      |        |
| CLK7p  | ✓      |      |      | ✓    | ✓    |       |       |        | ✓      |        |        |        | ✓      |
| CLK4n  |        | ✓    |      |      |      | ✓     |       |        |        | ✓      |        |        |        |
| CLK5n  |        |      | ✓    |      |      |       | ✓     |        |        |        | ✓      |        |        |
| CLK6n  |        |      |      | ✓    |      |       |       | ✓      |        |        |        | ✓      |        |
| CLK7n  |        |      |      |      | ✓    |       |       |        | ✓      |        |        |        | ✓      |
| Drivers from internal logic                              |        |      |      |      |      |       |       |        |        |        |        |        |        |
| GCLKDRV0   |        | ✓    |      |      |      |       |       |        |        |        |        |        |        |
| GCLKDRV1   |        |      | ✓    |      |      |       |       |        |        |        |        |        |        |
| GCLKDRV2   |        |      |      | ✓    |      |       |       |        |        |        |        |        |        |

**Table 2–12. Global & Regional Clock Connections from Bottom Clock Pins & Enhanced PLL Outputs (Part 2 of 2)**

| Bottom Side Global & Regional Clock Network Connectivity | DLLCLK | CLK4 | CLK5 | CLK6 | CLK7 | RCLK8 | RCLK9 | RCLK10 | RCLK11 | RCLK12 | RCLK13 | RCLK14 | RCLK15 |
|--|--------|------|------|------|------|-------|-------|--------|--------|--------|--------|--------|--------|
| GCLKDRV3   |        |      |      |      | ✓    |       |       |        |        |        |        |        |        |
| RCLKDRV0   |        |      |      |      |      | ✓     |       |        |        | ✓      |        |        |        |
| RCLKDRV1   |        |      |      |      |      |       | ✓     |        |        |        | ✓      |        |        |
| RCLKDRV2   |        |      |      |      |      |       |       | ✓      |        |        |        | ✓      |        |
| RCLKDRV3   |        |      |      |      |      |       |       |        | ✓      |        |        |        | ✓      |
| RCLKDRV4   |        |      |      |      |      | ✓     |       |        |        | ✓      |        |        |        |
| RCLKDRV5   |        |      |      |      |      |       | ✓     |        |        |        | ✓      |        |        |
| RCLKDRV6   |        |      |      |      |      |       |       | ✓      |        |        |        | ✓      |        |
| RCLKDRV7   |        |      |      |      |      |       |       |        | ✓      |        |        |        | ✓      |
| Enhanced PLL 6 outputs                                   |        |      |      |      |      |       |       |        |        |        |        |        |        |
| c0   | ✓      | ✓    | ✓    |      |      | ✓     |       |        |        | ✓      |        |        |        |
| c1   | ✓      | ✓    | ✓    |      |      |       | ✓     |        |        |        | ✓      |        |        |
| c2   | ✓      |      |      | ✓    | ✓    |       |       | ✓      |        |        |        | ✓      |        |
| c3   | ✓      |      |      | ✓    | ✓    |       |       |        | ✓      |        |        |        | ✓      |
| c4   | ✓      |      |      |      |      | ✓     |       | ✓      |        | ✓      |        | ✓      |        |
| c5   | ✓      |      |      |      |      |       | ✓     |        | ✓      |        | ✓      |        | ✓      |
| Enhanced PLL 12 outputs                                  |        |      |      |      |      |       |       |        |        |        |        |        |        |
| c0   |        | ✓    | ✓    |      |      | ✓     |       |        |        | ✓      |        |        |        |
| c1   |        | ✓    | ✓    |      |      |       | ✓     |        |        |        | ✓      |        |        |
| c2   |        |      |      | ✓    | ✓    |       |       | ✓      |        |        |        | ✓      |        |
| c3   |        |      |      | ✓    | ✓    |       |       |        | ✓      |        |        |        | ✓      |
| c4   |        |      |      |      |      | ✓     |       | ✓      |        | ✓      |        | ✓      |        |
| c5   |        |      |      |      |      |       | ✓     |        | ✓      |        | ✓      |        | ✓      |

## Enhanced PLLs

Stratix II devices contain up to four enhanced PLLs with advanced clock management features. Figure 2–44 shows a diagram of the enhanced PLL.

Figure 2–44. Stratix II Enhanced PLL Note (1)



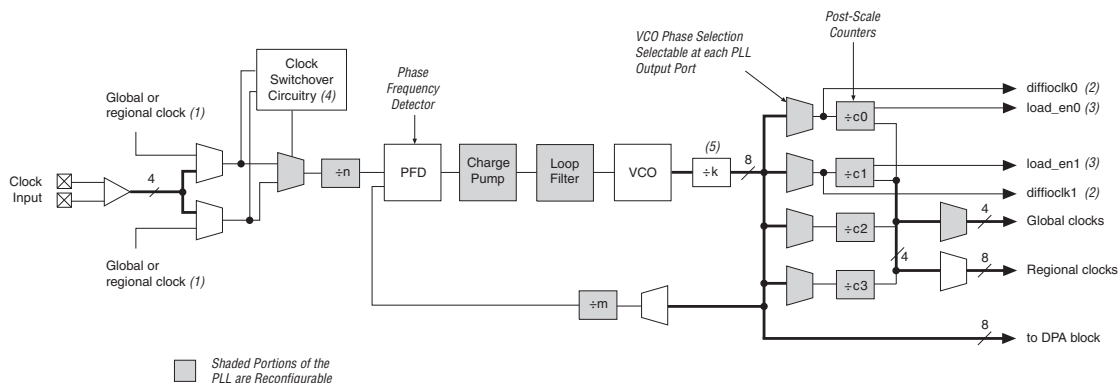
### Notes to Figure 2–44:

- (1) Each clock source can come from any of the four clock pins that are physically located on the same side of the device as the PLL.
- (2) If the feedback input is used, you lose one (or two, if FBIN is differential) external clock output pin.
- (3) Each enhanced PLL has three differential external clock outputs or six single-ended external clock outputs.
- (4) The global or regional clock input can be driven by an output from another PLL, a pin-driven dedicated global or regional clock, or through a clock control block, provided the clock control block is fed by an output from another PLL or a pin-driven dedicated global or regional clock. An internally generated global signal cannot drive the PLL.

## Fast PLLs

Stratix II devices contain up to eight fast PLLs with high-speed serial interfacing ability. Figure 2–45 shows a diagram of the fast PLL.

Figure 2–45. Stratix II Device Fast PLL Notes (1), (2), (3)



### Notes to Figure 2–45:

- (1) The global or regional clock input can be driven by an output from another PLL, a pin-driven dedicated global or regional clock, or through a clock control block, provided the clock control block is fed by an output from another PLL or a pin-driven dedicated global or regional clock. An internally generated global signal cannot drive the PLL.
- (2) In high-speed differential I/O support mode, this high-speed PLL clock feeds the SERDES circuitry. Stratix II devices only support one rate of data transfer per fast PLL in high-speed differential I/O support mode.
- (3) This signal is a differential I/O SERDES control signal.
- (4) Stratix II fast PLLs only support manual clock switchover.
- (5) If the design enables this  $\pm 2$  counter, then the device can use a VCO frequency range of 150 to 520 MHz.



See the *PLLs in Stratix II & Stratix II GX Devices* chapter in volume 2 of the *Stratix II Device Handbook* or the *Stratix II GX Device Handbook* for more information on enhanced and fast PLLs. See [“High-Speed Differential I/O with DPA Support”](#) on page 2–96 for more information on high-speed differential I/O support.

## I/O Structure

The Stratix II IOEs provide many features, including:

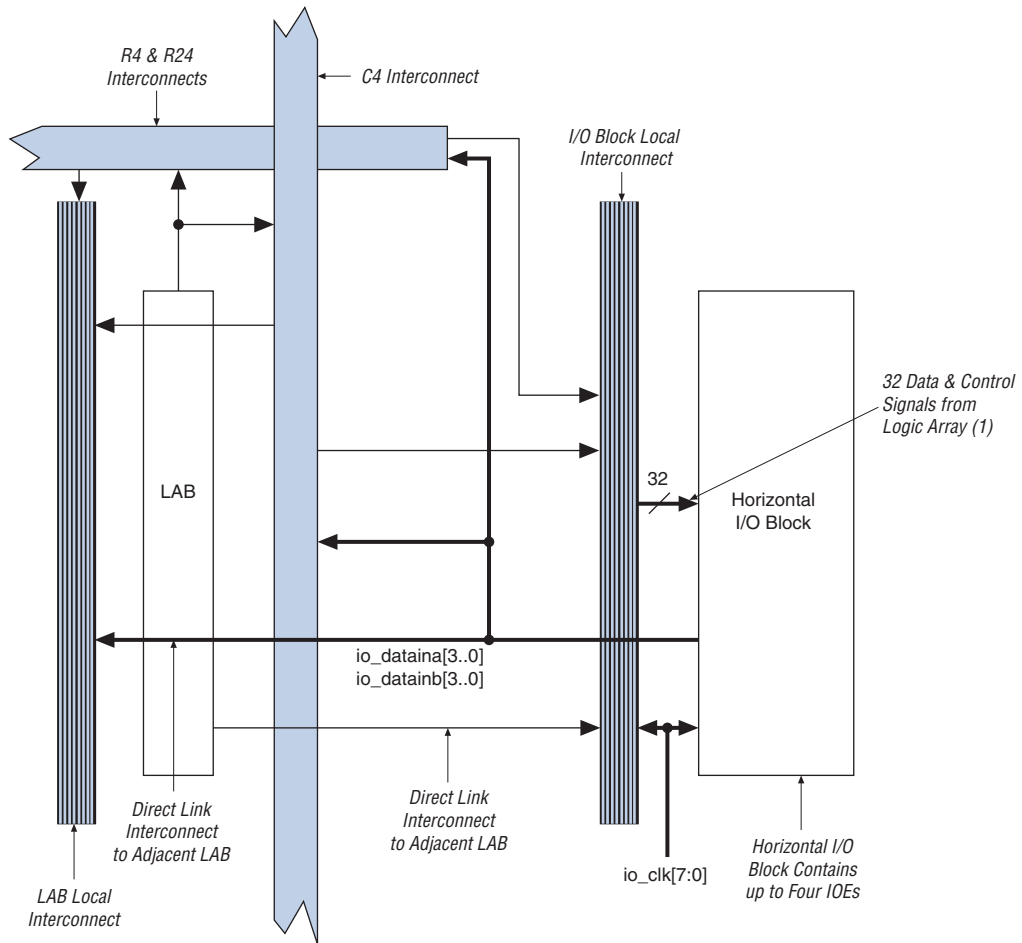
- Dedicated differential and single-ended I/O buffers
- 3.3-V, 64-bit, 66-MHz PCI compliance
- 3.3-V, 64-bit, 133-MHz PCI-X 1.0 compliance
- Joint Test Action Group (JTAG) boundary-scan test (BST) support
- On-chip driver series termination
- On-chip parallel termination
- On-chip termination for differential standards
- Programmable pull-up during configuration

- Output drive strength control
- Tri-state buffers
- Bus-hold circuitry
- Programmable pull-up resistors
- Programmable input and output delays
- Open-drain outputs
- DQ and DQS I/O pins
- Double data rate (DDR) registers

The IOE in Stratix II devices contains a bidirectional I/O buffer, six registers, and a latch for a complete embedded bidirectional single data rate or DDR transfer. [Figure 2-46](#) shows the Stratix II IOE structure. The IOE contains two input registers (plus a latch), two output registers, and two output enable registers. The design can use both input registers and the latch to capture DDR input and both output registers to drive DDR outputs. Additionally, the design can use the output enable (OE) register for fast clock-to-output enable timing. The negative edge-clocked OE register is used for DDR SDRAM interfacing. The Quartus II software automatically duplicates a single OE register that controls multiple output or bidirectional pins.





Figure 2–47. Row I/O Block Connection to the Interconnect *Note (1)***Note to Figure 2–47:**

- (1) The 32 data and control signals consist of eight data out lines: four lines each for DDR applications  $io\_dataouta[3..0]$  and  $io\_dataoutb[3..0]$ , four output enables  $io\_oe[3..0]$ , four input clock enables  $io\_ce\_in[3..0]$ , four output clock enables  $io\_ce\_out[3..0]$ , four clocks  $io\_clk[3..0]$ , four asynchronous clear and preset signals  $io\_aclr/apreset[3..0]$ , and four synchronous clear and preset signals  $io\_sclr/spreset[3..0]$ .

**Figure 2–48. Column I/O Block Connection to the Interconnect** *Note (1)*



**Note to Figure 2–48:**

- (1) The 32 data and control signals consist of eight data out lines: four lines each for DDR applications  $io\_dataouta[3..0]$  and  $io\_dataoutb[3..0]$ , four output enables  $io\_oe[3..0]$ , four input clock enables  $io\_ce\_in[3..0]$ , four output clock enables  $io\_ce\_out[3..0]$ , four clocks  $io\_clk[3..0]$ , four asynchronous clear and preset signals  $io\_aclr/apreset[3..0]$ , and four synchronous clear and preset signals  $io\_sclr/spreset[3..0]$ .

There are 32 control and data signals that feed each row or column I/O block. These control and data signals are driven from the logic array. The row or column IOE clocks, `io_clk[7..0]`, provide a dedicated routing resource for low-skew, high-speed clocks. I/O clocks are generated from global or regional clocks (see the “PLLs & Clock Networks” section).

Figure 2–49 illustrates the signal paths through the I/O block.

**Figure 2–49. Signal Path through the I/O Block**



Each IOE contains its own control signal selection for the following control signals: `oe`, `ce_in`, `ce_out`, `aclr/apreset`, `sclr/spreset`, `clk_in`, and `clk_out`. Figure 2–50 illustrates the control signal selection.

**Figure 2–50. Control Signal Selection per IOE****Notes to Figure 2–50:**

- (1) Control signals `ce_in`, `ce_out`, `aclr/apreset`, `sclr/spreset`, and `oe` can be global signals even though their control selection multiplexers are not directly fed by the `ioe_clk [7..0]` signals. The `ioe_clk` signals can drive the I/O local interconnect, which then drives the control selection multiplexers.

In normal bidirectional operation, the input register can be used for input data requiring fast setup times. The input register can have its own clock input and clock enable separate from the OE and output registers. The output register can be used for data requiring fast clock-to-output performance. The OE register can be used for fast clock-to-output enable timing. The OE and output register share the same clock source and the same clock enable source from local interconnect in the associated LAB, dedicated I/O clocks, and the column and row interconnects.

Figure 2–51 shows the IOE in bidirectional configuration.

**Figure 2–51. Stratix II IOE in Bidirectional I/O Configuration** Note (1)



**Notes to Figure 2–51:**

- (1) All input signals to the IOE can be inverted at the IOE.
- (2) The optional PCI clamp is only available on column I/O pins.

The Stratix II device IOE includes programmable delays that can be activated to ensure input IOE register-to-logic array register transfers, input pin-to-logic array register transfers, or output IOE register-to-pin transfers.

A path in which a pin directly drives a register may require the delay to ensure zero hold time, whereas a path in which a pin drives a register through combinational logic may not require the delay. Programmable delays exist for decreasing input-pin-to-logic-array and IOE input register delays. The Quartus II Compiler can program these delays to automatically minimize setup time while providing a zero hold time. Programmable delays can increase the register-to-pin delays for output and/or output enable registers. Programmable delays are no longer required to ensure zero hold times for logic array register-to-IOE register transfers. The Quartus II Compiler can create the zero hold time for these transfers. Table 2–13 shows the programmable delays for Stratix II devices.

| <b>Programmable Delays</b>            | <b>Quartus II Logic Option</b>           |
|---------------------------------------|--|
| Input pin to logic array delay        | Input delay from pin to internal cells   |
| Input pin to input register delay     | Input delay from pin to input register   |
| Output pin delay                      | Delay from output register to output pin |
| Output enable register $t_{CO}$ delay | Delay to output enable pin               |

The IOE registers in Stratix II devices share the same source for clear or preset. You can program preset or clear for each individual IOE. You can also program the registers to power up high or low after configuration is complete. If programmed to power up low, an asynchronous clear can control the registers. If programmed to power up high, an asynchronous preset can control the registers. This feature prevents the inadvertent activation of another device's active-low input upon power-up. If one register in an IOE uses a preset or clear signal then all registers in the IOE must use that same signal if they require preset or clear. Additionally, a synchronous reset signal is available for the IOE registers.

## Double Data Rate I/O Pins

Stratix II devices have six registers in the IOE, which support DDR interfacing by clocking data on both positive and negative clock edges. The IOEs in Stratix II devices support DDR inputs, DDR outputs, and bidirectional DDR modes.

When using the IOE for DDR inputs, the two input registers clock double rate input data on alternating edges. An input latch is also used in the IOE for DDR input acquisition. The latch holds the data that is present during the clock high times. This allows both bits of data to be synchronous with the same clock edge (either rising or falling). Figure 2–52 shows an IOE configured for DDR input. Figure 2–53 shows the DDR input timing diagram.

Figure 2–52. Stratix II IOE in DDR Input I/O Configuration Notes (1), (2), (3)



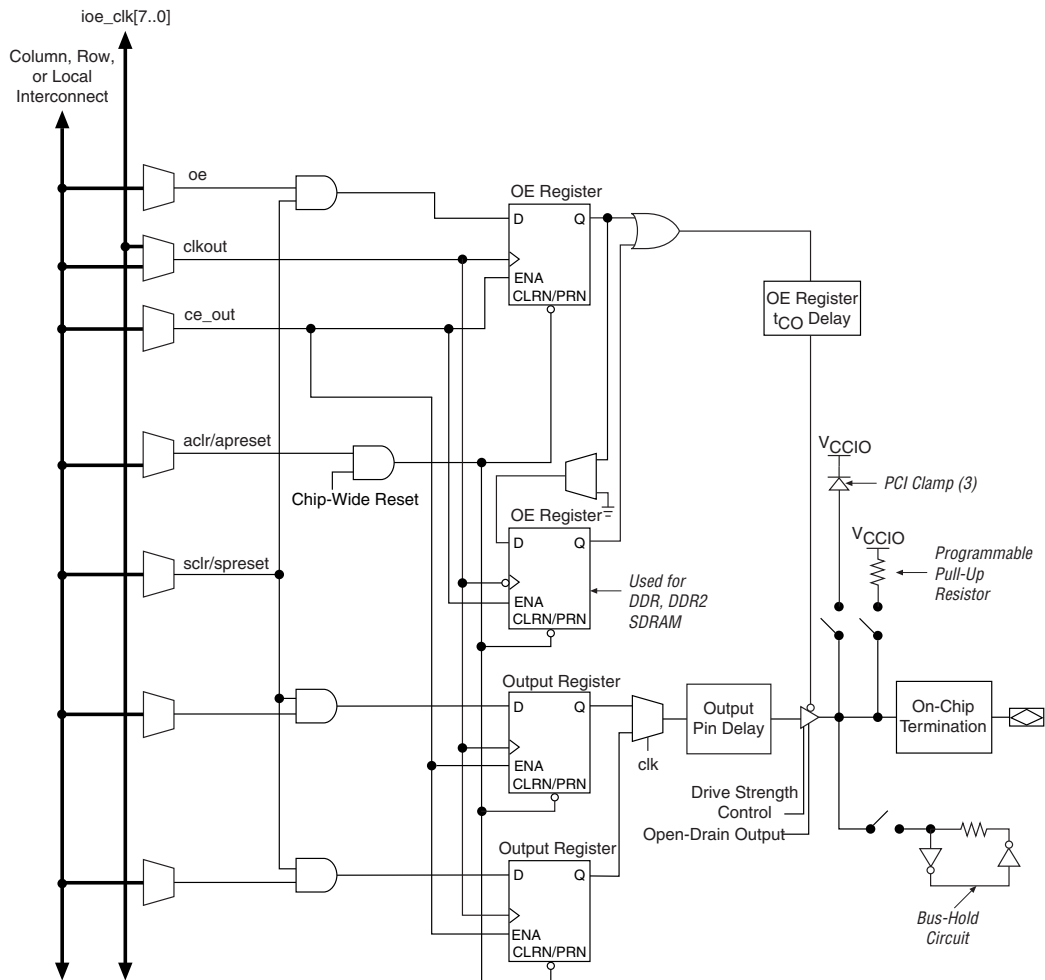
Notes to Figure 2–52:

- (1) All input signals to the IOE can be inverted at the IOE.
- (2) This signal connection is only allowed on dedicated DQ function pins.
- (3) This signal is for dedicated DQS function pins only.
- (4) The optional PCI clamp is only available on column I/O pins.



**Figure 2–53. Input Timing Diagram in DDR Mode**

When using the IOE for DDR outputs, the two output registers are configured to clock two data paths from ALMs on rising clock edges. These output registers are multiplexed by the clock to drive the output pin at a  $\times 2$  rate. One output register clocks the first bit out on the clock high time, while the other output register clocks the second bit out on the clock low time. [Figure 2–54](#) shows the IOE configured for DDR output. [Figure 2–55](#) shows the DDR output timing diagram.

**Figure 2–54. Stratix II IOE in DDR Output I/O Configuration** *Notes (1), (2)*

**Notes to Figure 2–54:**

- (1) All input signals to the IOE can be inverted at the IOE.
- (2) The tri-state buffer is active low. The DDIO megafunction represents the tri-state buffer as active-high with an inverter at the OE register data port. Similarly, the `aclr` and `apreset` signals are also active-high at the input ports of the DDIO megafunction.
- (3) The optional PCI clamp is only available on column I/O pins.

**Figure 2–55. Output Timing Diagram in DDR Mode**

The Stratix II IOE operates in bidirectional DDR mode by combining the DDR input and DDR output configurations. The negative-edge-clocked OE register holds the OE signal inactive until the falling edge of the clock. This is done to meet DDR SDRAM timing requirements.

### External RAM Interfacing

In addition to the six I/O registers in each IOE, Stratix II devices also have dedicated phase-shift circuitry for interfacing with external memory interfaces. Stratix II devices support DDR and DDR2 SDRAM, QDR II SRAM, RLDRAM II, and SDR SDRAM memory interfaces. In every Stratix II device, the I/O banks at the top (banks 3 and 4) and bottom (banks 7 and 8) of the device support DQ and DQS signals with DQ bus modes of  $\times 4$ ,  $\times 8/\times 9$ ,  $\times 16/\times 18$ , or  $\times 32/\times 36$ . Table 2–14 shows the number of DQ and DQS buses that are supported per device.

**Table 2–14. DQS & DQ Bus Mode Support (Part 1 of 2)** *Note (1)*

| Device | Package                | Number of $\times 4$ Groups | Number of $\times 8/\times 9$ Groups | Number of $\times 16/\times 18$ Groups | Number of $\times 32/\times 36$ Groups |
|--------|------------------------|-----------------------------|--------------------------------------|--|--|
| EP2S15 | 484-pin FineLine BGA   | 8                           | 4                                    | 0                                      | 0                                      |
|        | 672-pin FineLine BGA   | 18                          | 8                                    | 4                                      | 0                                      |
| EP2S30 | 484-pin FineLine BGA   | 8                           | 4                                    | 0                                      | 0                                      |
|        | 672-pin FineLine BGA   | 18                          | 8                                    | 4                                      | 0                                      |
| EP2S60 | 484-pin FineLine BGA   | 8                           | 4                                    | 0                                      | 0                                      |
|        | 672-pin FineLine BGA   | 18                          | 8                                    | 4                                      | 0                                      |
|        | 1,020-pin FineLine BGA | 36                          | 18                                   | 8                                      | 4                                      |

**Table 2–14. DQS & DQ Bus Mode Support (Part 2 of 2)** *Note (1)*

| Device  | Package                     | Number of<br>×4 Groups | Number of<br>×8/×9 Groups | Number of<br>×16/×18 Groups | Number of<br>×32/×36 Groups |
|---------|-----------------------------|------------------------|---------------------------|-----------------------------|-----------------------------|
| EP2S90  | 484-pin Hybrid FineLine BGA | 8                      | 4                         | 0                           | 0                           |
|         | 780-pin FineLine BGA        | 18                     | 8                         | 4                           | 0                           |
|         | 1,020-pin FineLine BGA      | 36                     | 18                        | 8                           | 4                           |
|         | 1,508-pin FineLine BGA      | 36                     | 18                        | 8                           | 4                           |
| EP2S130 | 780-pin FineLine BGA        | 18                     | 8                         | 4                           | 0                           |
|         | 1,020-pin FineLine BGA      | 36                     | 18                        | 8                           | 4                           |
|         | 1,508-pin FineLine BGA      | 36                     | 18                        | 8                           | 4                           |
| EP2S180 | 1,020-pin FineLine BGA      | 36                     | 18                        | 8                           | 4                           |
|         | 1,508-pin FineLine BGA      | 36                     | 18                        | 8                           | 4                           |

**Notes to Table 2–14:**

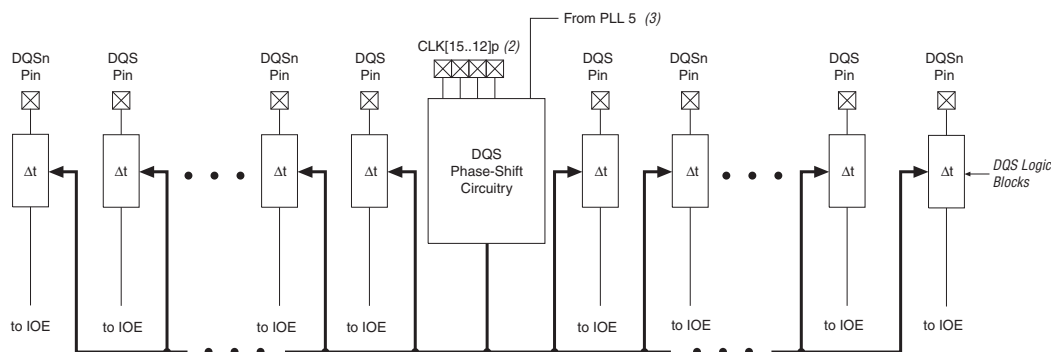
- (1) Check the pin table for each DQS/DQ group in the different modes.

A compensated delay element on each DQS pin automatically aligns input DQS synchronization signals with the data window of their corresponding DQ data signals. The DQS signals drive a local DQS bus in the top and bottom I/O banks. This DQS bus is an additional resource to the I/O clocks and is used to clock DQ input registers with the DQS signal.

The Stratix II device has two phase-shifting reference circuits, one on the top and one on the bottom of the device. The circuit on the top controls the compensated delay elements for all DQS pins on the top. The circuit on the bottom controls the compensated delay elements for all DQS pins on the bottom.

Each phase-shifting reference circuit is driven by a system reference clock, which must have the same frequency as the DQS signal. Clock pins CLK[15 . . 12] p feed the phase circuitry on the top of the device and clock pins CLK[7 . . 4] p feed the phase circuitry on the bottom of the device. In addition, PLL clock outputs can also feed the phase-shifting reference circuits.

Figure 2–56 illustrates the phase-shift reference circuit control of each DQS delay shift on the top of the device. This same circuit is duplicated on the bottom of the device.

**Figure 2–56. DQS Phase-Shift Circuitry** Notes (1), (2), (3), (4)**Notes to Figure 2–56:**

- (1) There are up to 18 pairs of DQS and DQSn pins available on the top or the bottom of the Stratix II device. There are up to 10 pairs on the right side and 8 pairs on the left side of the DQS phase-shift circuitry.
- (2) The  $\Delta t$  module represents the DQS logic block.
- (3) Clock pins  $CLK[15..12]_p$  feed the phase-shift circuitry on the top of the device and clock pins  $CLK[7..4]_p$  feed the phase circuitry on the bottom of the device. You can also use a PLL clock output as a reference clock to the phase-shift circuitry.
- (4) You can only use PLL 5 to feed the DQS phase-shift circuitry on the top of the device and PLL 6 to feed the DQS phase-shift circuitry on the bottom of the device.

These dedicated circuits combined with enhanced PLL clocking and phase-shift ability provide a complete hardware solution for interfacing to high-speed memory.



For more information on external memory interfaces, refer to the *External Memory Interfaces in Stratix II & Stratix II GX Devices* chapter in volume 2 of the *Stratix II Device Handbook* or the *Stratix II GX Device Handbook*.

## Programmable Drive Strength

The output buffer for each Stratix II device I/O pin has a programmable drive strength control for certain I/O standards. The LVTTTL, LVCMOS, SSTL, and HSTL standards have several levels of drive strength that the user can control. The default setting used in the Quartus II software is the maximum current strength setting that is used to achieve maximum I/O performance. For all I/O standards, the minimum setting is the lowest drive strength that guarantees the  $I_{OH}/I_{OL}$  of the standard. Using minimum settings provides signal slew rate control to reduce system noise and signal overshoot.

Table 2–15 shows the possible settings for the I/O standards with drive strength control.

| I/O Standard        | $I_{OH} / I_{OL}$ Current Strength Setting (mA) for Column I/O Pins | $I_{OH} / I_{OL}$ Current Strength Setting (mA) for Row I/O Pins |
|---------------------|---|--|
| 3.3-V LVTTTL        | 24, 20, 16, 12, 8, 4  | 12, 8, 4   |
| 3.3-V LVCMOS        | 24, 20, 16, 12, 8, 4  | 8, 4   |
| 2.5-V LVTTTL/LVCMOS | 16, 12, 8, 4  | 12, 8, 4   |
| 1.8-V LVTTTL/LVCMOS | 12, 10, 8, 6, 4, 2  | 8, 6, 4, 2   |
| 1.5-V LVCMOS        | 8, 6, 4, 2  | 4, 2   |
| SSTL-2 Class I      | 12, 8   | 12, 8  |
| SSTL-2 Class II     | 24, 20, 16  | 16   |
| SSTL-18 Class I     | 12, 10, 8, 6, 4   | 10, 8, 6, 4  |
| SSTL-18 Class II    | 20, 18, 16, 8   | -  |
| HSTL-18 Class I     | 12, 10, 8, 6, 4   | 12, 10, 8, 6, 4  |
| HSTL-18 Class II    | 20, 18, 16  | -  |
| HSTL-15 Class I     | 12, 10, 8, 6, 4   | 8, 6, 4  |
| HSTL-15 Class II    | 20, 18, 16  | -  |

*Note to Table 2–15:*

- (1) The Quartus II software default current setting is the maximum setting for each I/O standard.

## Open-Drain Output

Stratix II devices provide an optional open-drain (equivalent to an open-collector) output for each I/O pin. This open-drain output enables the device to provide system-level control signals (e.g., interrupt and write-enable signals) that can be asserted by any of several devices.

## Bus Hold

Each Stratix II device I/O pin provides an optional bus-hold feature. The bus-hold circuitry can weakly hold the signal on an I/O pin at its last-driven state. Since the bus-hold feature holds the last-driven state of the pin until the next input signal is present, you do not need an external pull-up or pull-down resistor to hold a signal level when the bus is tri-stated.

The bus-hold circuitry also pulls undriven pins away from the input threshold voltage where noise can cause unintended high-frequency switching. You can select this feature individually for each I/O pin. The bus-hold output drives no higher than  $V_{CCIO}$  to prevent overdriving signals. If the bus-hold feature is enabled, the programmable pull-up option cannot be used. Disable the bus-hold feature when the I/O pin has been configured for differential signals.

The bus-hold circuitry uses a resistor with a nominal resistance ( $R_{BH}$ ) of approximately 7 k $\Omega$  to weakly pull the signal level to the last-driven state. See the *DC & Switching Characteristics* chapter in the *Stratix II Device Handbook, Volume 1*, for the specific sustaining current driven through this resistor and overdrive current used to identify the next-driven input level. This information is provided for each  $V_{CCIO}$  voltage level.

The bus-hold circuitry is active only after configuration. When going into user mode, the bus-hold circuit captures the value on the pin present at the end of configuration.

## Programmable Pull-Up Resistor

Each Stratix II device I/O pin provides an optional programmable pull-up resistor during user mode. If you enable this feature for an I/O pin, the pull-up resistor (typically 25 k $\Omega$ ) weakly holds the output to the  $V_{CCIO}$  level of the output pin's bank.

Programmable pull-up resistors are only supported on user I/O pins, and are not supported on dedicated configuration pins, JTAG pins or dedicated clock pins.

## Advanced I/O Standard Support

Stratix II device IOEs support the following I/O standards:

- 3.3-V LVTTTL/LVCMOS
- 2.5-V LVTTTL/LVCMOS
- 1.8-V LVTTTL/LVCMOS
- 1.5-V LVCMOS
- 3.3-V PCI
- 3.3-V PCI-X mode 1
- LVDS
- LVPECL (on input and output clocks only)
- HyperTransport technology
- Differential 1.5-V HSTL Class I and II
- Differential 1.8-V HSTL Class I and II
- Differential SSTL-18 Class I and II
- Differential SSTL-2 Class I and II

- 1.5-V HSTL Class I and II
- 1.8-V HSTL Class I and II
- 1.2-V HSTL
- SSTL-2 Class I and II
- SSTL-18 Class I and II

Table 2–16 describes the I/O standards supported by Stratix II devices.

| <b>I/O Standard</b>                        | <b>Type</b>        | <b>Input Reference Voltage (<math>V_{REF}</math>) (V)</b> | <b>Output Supply Voltage (<math>V_{CCIO}</math>) (V)</b> | <b>Board Termination Voltage (<math>V_{TT}</math>) (V)</b> |
|--|--------------------|---|--|--|
| LVTTTL                                     | Single-ended       | -   | 3.3  | -  |
| LVC MOS                                    | Single-ended       | -   | 3.3  | -  |
| 2.5 V                                      | Single-ended       | -   | 2.5  | -  |
| 1.8 V                                      | Single-ended       | -   | 1.8  | -  |
| 1.5-V LVC MOS                              | Single-ended       | -   | 1.5  | -  |
| 3.3-V PCI                                  | Single-ended       | -   | 3.3  | -  |
| 3.3-V PCI-X mode 1                         | Single-ended       | -   | 3.3  | -  |
| LVDS                                       | Differential       | -   | 2.5 (3)  | -  |
| LVPECL (1)                                 | Differential       | -   | 3.3  | -  |
| HyperTransport technology                  | Differential       | -   | 2.5  | -  |
| Differential 1.5-V HSTL Class I and II (2) | Differential       | 0.75  | 1.5  | 0.75   |
| Differential 1.8-V HSTL Class I and II (2) | Differential       | 0.90  | 1.8  | 0.90   |
| Differential SSTL-18 Class I and II (2)    | Differential       | 0.90  | 1.8  | 0.90   |
| Differential SSTL-2 Class I and II (2)     | Differential       | 1.25  | 2.5  | 1.25   |
| 1.2-V HSTL (4)                             | Voltage-referenced | 0.6   | 1.2  | 0.6  |
| 1.5-V HSTL Class I and II                  | Voltage-referenced | 0.75  | 1.5  | 0.75   |
| 1.8-V HSTL Class I and II                  | Voltage-referenced | 0.9   | 1.8  | 0.9  |
| SSTL-18 Class I and II                     | Voltage-referenced | 0.90  | 1.8  | 0.90   |



**Table 2–16. Stratix II Supported I/O Standards (Part 2 of 2)**

| I/O Standard          | Type               | Input Reference Voltage ( $V_{REF}$ ) (V) | Output Supply Voltage ( $V_{CCIO}$ ) (V) | Board Termination Voltage ( $V_{TT}$ ) (V) |
|-----------------------|--------------------|---|--|--|
| SSTL-2 Class I and II | Voltage-referenced | 1.25                                      | 2.5                                      | 1.25                                       |

**Notes to Table 2–16:**

- (1) This I/O standard is only available on input and output column clock pins.
- (2) This I/O standard is only available on input clock pins and DQS pins in I/O banks 3, 4, 7, and 8, and output clock pins in I/O banks 9, 10, 11, and 12.
- (3)  $V_{CCIO}$  is 3.3 V when using this I/O standard in input and output column clock pins (in I/O banks 9, 10, 11, and 12). The clock input pins supporting LVDS on banks 3, 4, 7, and 8 use  $V_{CCINT}$  for LVDS input operations and have no dependency on the  $V_{CCIO}$  level of the bank.
- (4) 1.2-V HSTL is only supported in I/O banks 4, 7, and 8.



For more information on I/O standards supported by Stratix II I/O banks, refer to the *Selectable I/O Standards in Stratix II & Stratix II GX Devices* chapter in volume 2 of the *Stratix II Device Handbook* or the *Stratix II GX Device Handbook*.

Stratix II devices contain eight I/O banks and four enhanced PLL external clock output banks, as shown in [Figure 2–57](#). The four I/O banks on the right and left of the device contain circuitry to support high-speed differential I/O for LVDS and HyperTransport inputs and outputs. These banks support all Stratix II I/O standards except PCI or PCI-X I/O pins, and SSTL-18 Class II and HSTL outputs. The top and bottom I/O banks support all single-ended I/O standards. Additionally, enhanced PLL external clock output banks allow clock output capabilities such as differential support for SSTL and HSTL.

Figure 2–57. Stratix II I/O Banks Notes (1), (2), (3), (4)



Notes to Figure 2–57:

- (1) Figure 2–57 is a top view of the silicon die that corresponds to a reverse view for flip-chip packages. It is a graphical representation only.
- (2) Depending on the size of the device, different device members have different numbers of VREF groups. Refer to the pin list and the Quartus II software for exact locations.
- (3) Banks 9 through 12 are enhanced PLL external clock output banks. These PLL banks utilize the adjacent VREF group when voltage-referenced standards are implemented. For example, if an SSTL input is implemented in PLL bank 10, the voltage level at VREFB7 is the reference voltage level for the SSTL input.
- (4) Horizontal I/O banks feature SERDES and DPA circuitry for high speed differential I/O standards. See the *High Speed Differential I/O Interfaces in Stratix II & Stratix II GX Devices* chapter of the *Stratix II Device Handbook, Volume 2* or the *Stratix II GX Device Handbook, Volume 2* for more information on differential I/O standards.

Each I/O bank has its own  $V_{CCIO}$  pins. A single device can support 1.5-, 1.8-, 2.5-, and 3.3-V interfaces; each bank can support a different  $V_{CCIO}$  level independently. Each bank also has dedicated  $V_{REF}$  pins to support the voltage-referenced standards (such as SSTL-2). The PLL banks utilize the adjacent  $V_{REF}$  group when voltage-referenced standards are implemented. For example, if an SSTL input is implemented in PLL bank 10, the voltage level at  $V_{REFB7}$  is the reference voltage level for the SSTL input.

I/O pins that reside in PLL banks 9 through 12 are powered by the  $VCC\_PLL<5, 6, 11, \text{ or } 12>\_OUT$  pins, respectively. The EP2S60F484, EP2S60F780, EP2S90H484, EP2S90F780, and EP2S130F780 devices do not support PLLs 11 and 12. Therefore, any I/O pins that reside in bank 11 are powered by the  $V_{CCIO3}$  pin, and any I/O pins that reside in bank 12 are powered by the  $V_{CCIO8}$  pin.

Each I/O bank can support multiple standards with the same  $V_{CCIO}$  for input and output pins. Each bank can support one  $V_{REF}$  voltage level. For example, when  $V_{CCIO}$  is 3.3 V, a bank can support LVTTTL, LVCMOS, and 3.3-V PCI for inputs and outputs.

## On-Chip Termination

Stratix II devices provide differential (for the LVDS or HyperTransport technology I/O standard), series, and parallel on-chip termination to reduce reflections and maintain signal integrity. On-chip termination simplifies board design by minimizing the number of external termination resistors required. Termination can be placed inside the package, eliminating small stubs that can still lead to reflections.

Stratix II devices provide four types of termination:

- Differential termination ( $R_D$ )
- Series termination ( $R_S$ ) without calibration
- Series termination ( $R_S$ ) with calibration
- Parallel termination ( $R_T$ ) with calibration

Table 2–17 shows the Stratix II on-chip termination support per I/O bank.

| <b>On-Chip Termination Support</b>     | <b>I/O Standard Support</b> | <b>Top &amp; Bottom Banks</b> | <b>Left &amp; Right Banks</b> |
|--|-----------------------------|-------------------------------|-------------------------------|
| Series termination without calibration | 3.3-V LVTTTL                | ✓                             | ✓                             |
|  | 3.3-V LVCMOS                | ✓                             | ✓                             |
|  | 2.5-V LVTTTL                | ✓                             | ✓                             |
|  | 2.5-V LVCMOS                | ✓                             | ✓                             |
|  | 1.8-V LVTTTL                | ✓                             | ✓                             |
|  | 1.8-V LVCMOS                | ✓                             | ✓                             |
|  | 1.5-V LVTTTL                | ✓                             | ✓                             |
|  | 1.5-V LVCMOS                | ✓                             | ✓                             |
|  | SSTL-2 Class I and II       | ✓                             | ✓                             |
|  | SSTL-18 Class I             | ✓                             | ✓                             |
|  | SSTL-18 Class II            | ✓                             |                               |
|  | 1.8-V HSTL Class I          | ✓                             | ✓                             |
|  | 1.8-V HSTL Class II         | ✓                             |                               |
|  | 1.5-V HSTL Class I          | ✓                             | ✓                             |
|  | 1.2-V HSTL                  | ✓                             |                               |

**Table 2–17. On-Chip Termination Support by I/O Banks (Part 2 of 2)**

| On-Chip Termination Support           | I/O Standard Support      | Top & Bottom Banks | Left & Right Banks |
|---------------------------------------|---------------------------|--------------------|--------------------|
| Series termination with calibration   | 3.3-V LVTTTL              | ✓                  |                    |
|                                       | 3.3-V LVCMOS              | ✓                  |                    |
|                                       | 2.5-V LVTTTL              | ✓                  |                    |
|                                       | 2.5-V LVCMOS              | ✓                  |                    |
|                                       | 1.8-V LVTTTL              | ✓                  |                    |
|                                       | 1.8-V LVCMOS              | ✓                  |                    |
|                                       | 1.5-V LVTTTL              | ✓                  |                    |
|                                       | 1.5-V LVCMOS              | ✓                  |                    |
|                                       | SSTL-2 Class I and II     | ✓                  |                    |
|                                       | SSTL-18 Class I and II    | ✓                  |                    |
|                                       | 1.8-V HSTL Class I        | ✓                  |                    |
|                                       | 1.8-V HSTL Class II       | ✓                  |                    |
|                                       | 1.5-V HSTL Class I        | ✓                  |                    |
| 1.2-V HSTL                            | ✓                         |                    |                    |
| Parallel termination with calibration | SSTL-2 Class I and II     | ✓                  |                    |
|                                       | SSTL-18 Class I and II    | ✓                  |                    |
|                                       | 1.8-V HSTL Class I        | ✓                  |                    |
|                                       | 1.8-V HSTL Class II       | ✓                  |                    |
|                                       | 1.5-V HSTL Class I and II | ✓                  |                    |
|                                       | 1.2-V HSTL                | ✓                  |                    |
| Differential termination (1)          | LVDS                      |                    | ✓                  |
|                                       | HyperTransport technology |                    | ✓                  |

**Note to Table 2–17:**

- (1) Clock pins CLK1, CLK3, CLK9, CLK11, and pins FPLL[7..10] CLK do not support differential on-chip termination. Clock pins CLK0, CLK2, CLK8, and CLK10 do support differential on-chip termination. Clock pins in the top and bottom banks (CLK[4..7, 12..15]) do not support differential on-chip termination.

### *Differential On-Chip Termination*

Stratix II devices support internal differential termination with a nominal resistance value of 100  $\Omega$  for LVDS or HyperTransport technology input receiver buffers. LVPECL input signals (supported on clock pins only) require an external termination resistor. Differential on-chip termination is supported across the full range of supported differential data rates as shown in the *DC & Switching Characteristics* chapter in volume 1 of the *Stratix II Device Handbook*.



For more information on differential on-chip termination, refer to the *High-Speed Differential I/O Interfaces with DPA in Stratix II & Stratix II GX Devices* chapter in volume 2 of the *Stratix II Device Handbook* or the *Stratix II GX Device Handbook*.



For more information on tolerance specifications for differential on-chip termination, refer to the *DC & Switching Characteristics* chapter in volume 1 of the *Stratix II Device Handbook*.

### *On-Chip Series Termination Without Calibration*

Stratix II devices support driver impedance matching to provide the I/O driver with controlled output impedance that closely matches the impedance of the transmission line. As a result, reflections can be significantly reduced. Stratix II devices support on-chip series termination for single-ended I/O standards with typical  $R_S$  values of 25 and 50  $\Omega$ . Once matching impedance is selected, current drive strength is no longer selectable. [Table 2–17](#) shows the list of output standards that support on-chip series termination without calibration.

### *On-Chip Series Termination with Calibration*

Stratix II devices support on-chip series termination with calibration in column I/O pins in top and bottom banks. There is one calibration circuit for the top I/O banks and one circuit for the bottom I/O banks. Each on-chip series termination calibration circuit compares the total impedance of each I/O buffer to the external 25- or 50- $\Omega$  resistors connected to the RUP and RDN pins, and dynamically enables or disables the transistors until they match. Calibration occurs at the end of device configuration. Once the calibration circuit finds the correct impedance, it powers down and stops changing the characteristics of the drivers.



For more information on series on-chip termination supported by Stratix II devices, refer to the *Selectable I/O Standards in Stratix II & Stratix II GX Devices* chapter in volume 2 of the *Stratix II Device Handbook* or the *Stratix II GX Device Handbook*.



For more information on tolerance specifications for on-chip termination with calibration, refer to the *DC & Switching Characteristics* chapter in volume 1 of the *Stratix II Device Handbook*.

### *On-Chip Parallel Termination with Calibration*

Stratix II devices support on-chip parallel termination with calibration for column I/O pins only. There is one calibration circuit for the top I/O banks and one circuit for the bottom I/O banks. Each on-chip parallel termination calibration circuit compares the total impedance of each I/O buffer to the external 50- $\Omega$  resistors connected to the RUP and RDN pins and dynamically enables or disables the transistors until they match. Calibration occurs at the end of device configuration. Once the calibration circuit finds the correct impedance, it powers down and stops changing the characteristics of the drivers.



On-chip parallel termination with calibration is only supported for input pins.



For more information on on-chip termination supported by Stratix II devices, refer to the *Selectable I/O Standards in Stratix II & Stratix II GX Devices* chapter in volume 2 of the *Stratix II Device Handbook* or the *Stratix II GX Device Handbook*.



For more information on tolerance specifications for on-chip termination with calibration, refer to the *DC & Switching Characteristics* chapter in volume 1 of the *Stratix II Device Handbook*.

## MultiVolt I/O Interface

The Stratix II architecture supports the MultiVolt I/O interface feature that allows Stratix II devices in all packages to interface with systems of different supply voltages.

The Stratix II VCCINT pins must always be connected to a 1.2-V power supply. With a 1.2-V VCCINT level, input pins are 1.5-, 1.8-, 2.5-, and 3.3-V tolerant. The VCCIO pins can be connected to either a 1.5-, 1.8-, 2.5-, or 3.3-V power supply, depending on the output requirements. The output levels are compatible with systems of the same voltage as the power supply (for example, when VCCIO pins are connected to a 1.5-V power supply, the output levels are compatible with 1.5-V systems).

The Stratix II VCCPD power pins must be connected to a 3.3-V power supply. These power pins are used to supply the pre-driver power to the output buffers, which increases the performance of the output pins. The VCCPD pins also power configuration input pins and JTAG input pins.

Table 2–18 summarizes Stratix II MultiVolt I/O support.

| $V_{CCIO}$ (V) | Input Signal (V) |       |       |       |       | Output Signal (V) |       |       |       |     |     |
|----------------|------------------|-------|-------|-------|-------|-------------------|-------|-------|-------|-----|-----|
|                | 1.2              | 1.5   | 1.8   | 2.5   | 3.3   | 1.2               | 1.5   | 1.8   | 2.5   | 3.3 | 5.0 |
| 1.2            | (4)              | ✓ (2) | ✓ (2) | ✓ (2) | ✓ (2) | ✓ (4)             |       |       |       |     |     |
| 1.5            | (4)              | ✓     | ✓     | ✓ (2) | ✓ (2) | ✓ (3)             | ✓     |       |       |     |     |
| 1.8            | (4)              | ✓     | ✓     | ✓ (2) | ✓ (2) | ✓ (3)             | ✓ (3) | ✓     |       |     |     |
| 2.5            | (4)              |       |       | ✓     | ✓     | ✓ (3)             | ✓ (3) | ✓ (3) | ✓     |     |     |
| 3.3            | (4)              |       |       | ✓     | ✓     | ✓ (3)             | ✓ (3) | ✓ (3) | ✓ (3) | ✓   | ✓   |

**Notes to Table 2–18:**

- (1) To drive inputs higher than  $V_{CCIO}$  but less than 4.0 V, disable the PCI clamping diode and select the **Allow LVTTTL and LVC MOS input levels to overdrive input buffer** option in the Quartus II software.
- (2) The pin current may be slightly higher than the default value. You must verify that the driving device's  $V_{OL}$  maximum and  $V_{OH}$  minimum voltages do not violate the applicable Stratix II  $V_{IL}$  maximum and  $V_{IH}$  minimum voltage specifications.
- (3) Although  $V_{CCIO}$  specifies the voltage necessary for the Stratix II device to drive out, a receiving device powered at a different level can still interface with the Stratix II device if it has inputs that tolerate the  $V_{CCIO}$  value.
- (4) Stratix II devices do not support 1.2-V LVTTTL and 1.2-V LVC MOS. Stratix II devices support 1.2-V HSTL.

The TDO and nCEO pins are powered by  $V_{CCIO}$  of the bank that they reside in. TDO is in I/O bank 4 and nCEO is in I/O bank 7.

Ideally, the  $V_{CC}$  supplies for the I/O buffers of any two connected pins are at the same voltage level. This may not always be possible depending on the  $V_{CCIO}$  level of TDO and nCEO pins on master devices and the configuration voltage level chosen by VCCSEL on slave devices. Master and slave devices can be in any position in the chain. Master indicates that it is driving out TDO or nCEO to a slave device.

For multi-device passive configuration schemes, the nCEO pin of the master device drives the nCE pin of the slave device. The VCCSEL pin on the slave device selects which input buffer is used for nCE. When VCCSEL is logic high, it selects the 1.8-V/1.5-V buffer powered by  $V_{CCIO}$ . When VCCSEL is logic low it selects the 3.3-V/2.5-V input buffer powered by  $V_{CCPD}$ . The ideal case is to have the  $V_{CCIO}$  of the nCEO bank in a master device match the VCCSEL settings for the nCE input buffer of the slave device it is connected to, but that may not be possible depending on the application. Table 2–19 contains board design recommendations to ensure that nCEO can successfully drive nCE for all power supply combinations.



**Table 2–19. Board Design Recommendations for nCEO**

| nCE Input Buffer Power in I/O Bank 3                     | Stratix II nCEO $V_{CCIO}$ Voltage Level in I/O Bank 7 |                           |                           |                           |                           |
|--|--|---------------------------|---------------------------|---------------------------|---------------------------|
|  | $V_{CCIO} = 3.3\text{ V}$                              | $V_{CCIO} = 2.5\text{ V}$ | $V_{CCIO} = 1.8\text{ V}$ | $V_{CCIO} = 1.5\text{ V}$ | $V_{CCIO} = 1.2\text{ V}$ |
| VCCSEL high<br>( $V_{CCIO}$ Bank 3 = 1.5 V)              | ✓ (1), (2)   | ✓ (3), (4)                | ✓ (5)                     | ✓                         | ✓                         |
| VCCSEL high<br>( $V_{CCIO}$ Bank 3 = 1.8 V)              | ✓ (1), (2)   | ✓ (3), (4)                | ✓                         | ✓                         | Level shifter required    |
| VCCSEL low<br>(nCE Powered by $V_{CCPD} = 3.3\text{V}$ ) | ✓  | ✓ (4)                     | ✓ (6)                     | Level shifter required    | Level shifter required    |

**Notes to Table 2–19:**

- (1) Input buffer is 3.3-V tolerant.
- (2) The nCEO output buffer meets  $V_{OH}$  (MIN) = 2.4 V.
- (3) Input buffer is 2.5-V tolerant.
- (4) The nCEO output buffer meets  $V_{OH}$  (MIN) = 2.0 V.
- (5) Input buffer is 1.8-V tolerant.
- (6) An external 250- $\Omega$  pull-up resistor is not required, but recommended if signal levels on the board are not optimal.

For JTAG chains, the TDO pin of the first device drives the TDI pin of the second device in the chain. The  $V_{CCSEL}$  input on JTAG input I/O cells (TCK, TMS, TDI, and TRST) is internally hardwired to GND selecting the 3.3-V/2.5-V input buffer powered by  $V_{CCPD}$ . The ideal case is to have the  $V_{CCIO}$  of the TDO bank from the first device to match the  $V_{CCSEL}$  settings for TDI on the second device, but that may not be possible depending on the application. Table 2–20 contains board design recommendations to ensure proper JTAG chain operation.

**Table 2–20. Supported TDO/TDI Voltage Combinations (Part 1 of 2)**

| Device     | TDI Input Buffer Power   | Stratix II TDO $V_{CCIO}$ Voltage Level in I/O Bank 4 |                           |                           |                           |                           |
|------------|--------------------------|---|---------------------------|---------------------------|---------------------------|---------------------------|
|            |                          | $V_{CCIO} = 3.3\text{ V}$                             | $V_{CCIO} = 2.5\text{ V}$ | $V_{CCIO} = 1.8\text{ V}$ | $V_{CCIO} = 1.5\text{ V}$ | $V_{CCIO} = 1.2\text{ V}$ |
| Stratix II | Always $V_{CCPD}$ (3.3V) | ✓ (1)   | ✓ (2)                     | ✓ (3)                     | Level shifter required    | Level shifter required    |

**Table 2–20. Supported TDO/TDI Voltage Combinations (Part 2 of 2)**

| Device         | TDI Input Buffer Power | Stratix II TDO $V_{CC10}$ Voltage Level in I/O Bank 4 |                           |                           |                           |                           |
|----------------|------------------------|---|---------------------------|---------------------------|---------------------------|---------------------------|
|                |                        | $V_{CC10} = 3.3\text{ V}$                             | $V_{CC10} = 2.5\text{ V}$ | $V_{CC10} = 1.8\text{ V}$ | $V_{CC10} = 1.5\text{ V}$ | $V_{CC10} = 1.2\text{ V}$ |
| Non-Stratix II | VCC = 3.3 V            | ✓ (1)   | ✓ (2)                     | ✓ (3)                     | Level shifter required    | Level shifter required    |
|                | VCC = 2.5 V            | ✓ (1), (4)  | ✓ (2)                     | ✓ (3)                     | Level shifter required    | Level shifter required    |
|                | VCC = 1.8 V            | ✓ (1), (4)  | ✓ (2), (5)                | ✓                         | Level shifter required    | Level shifter required    |
|                | VCC = 1.5 V            | ✓ (1), (4)  | ✓ (2), (5)                | ✓ (6)                     | ✓                         | ✓                         |

**Notes to Table 2–20:**

- (1) The TDO output buffer meets  $V_{OH}(\text{MIN}) = 2.4\text{ V}$ .
- (2) The TDO output buffer meets  $V_{OH}(\text{MIN}) = 2.0\text{ V}$ .
- (3) An external 250- $\Omega$  pull-up resistor is not required, but recommended if signal levels on the board are not optimal.
- (4) Input buffer must be 3.3-V tolerant.
- (5) Input buffer must be 2.5-V tolerant.
- (6) Input buffer must be 1.8-V tolerant.

## High-Speed Differential I/O with DPA Support

Stratix II devices contain dedicated circuitry for supporting differential standards at speeds up to 1 Gbps. The LVDS and HyperTransport differential I/O standards are supported in the Stratix II device. In addition, the LVPECL I/O standard is supported on input and output clock pins on the top and bottom I/O banks.

The high-speed differential I/O circuitry supports the following high speed I/O interconnect standards and applications:

- SPI-4 Phase 2 (POS-PHY Level 4)
- SFI-4
- Parallel RapidIO
- HyperTransport technology

There are four dedicated high-speed PLLs in the EP2S15 to EP2S30 devices and eight dedicated high-speed PLLs in the EP2S60 to EP2S180 devices to multiply reference clocks and drive high-speed differential SERDES channels.

Tables 2–21 through 2–26 show the number of channels that each fast PLL can clock in each of the Stratix II devices. In Tables 2–21 through 2–26 the first row for each transmitter or receiver provides the number of channels driven directly by the PLL. The second row below it shows the maximum channels a PLL can drive if cross bank channels are used from the adjacent center PLL. For example, in the 484-pin FineLine BGA EP2S15

device, PLL 1 can drive a maximum of 10 transmitter channels in I/O bank 1 or a maximum of 19 transmitter channels in I/O banks 1 and 2. The Quartus II software may also merge receiver and transmitter PLLs when a receiver is driving a transmitter. In this case, one fast PLL can drive both the maximum numbers of receiver and transmitter channels.

**Table 2–21. EP2S15 Device Differential Channels** *Note (1)*

| Package              | Transmitter/<br>Receiver | Total<br>Channels | Center Fast PLLs |       |       |       |
|----------------------|--------------------------|-------------------|------------------|-------|-------|-------|
|                      |                          |                   | PLL 1            | PLL 2 | PLL 3 | PLL 4 |
| 484-pin FineLine BGA | Transmitter              | 38 (2)            | 10               | 9     | 9     | 10    |
|                      |                          | (3)               | 19               | 19    | 19    | 19    |
|                      | Receiver                 | 42 (2)            | 11               | 10    | 10    | 11    |
|                      |                          | (3)               | 21               | 21    | 21    | 21    |
| 672-pin FineLine BGA | Transmitter              | 38 (2)            | 10               | 9     | 9     | 10    |
|                      |                          | (3)               | 19               | 19    | 19    | 19    |
|                      | Receiver                 | 42 (2)            | 11               | 10    | 10    | 11    |
|                      |                          | (3)               | 21               | 21    | 21    | 21    |

**Table 2–22. EP2S30 Device Differential Channels** *Note (1)*

| Package              | Transmitter/<br>Receiver | Total<br>Channels | Center Fast PLLs |       |       |       |
|----------------------|--------------------------|-------------------|------------------|-------|-------|-------|
|                      |                          |                   | PLL 1            | PLL 2 | PLL 3 | PLL 4 |
| 484-pin FineLine BGA | Transmitter              | 38 (2)            | 10               | 9     | 9     | 10    |
|                      |                          | (3)               | 19               | 19    | 19    | 19    |
|                      | Receiver                 | 42 (2)            | 11               | 10    | 10    | 11    |
|                      |                          | (3)               | 21               | 21    | 21    | 21    |
| 672-pin FineLine BGA | Transmitter              | 58 (2)            | 16               | 13    | 13    | 16    |
|                      |                          | (3)               | 29               | 29    | 29    | 29    |
|                      | Receiver                 | 62 (2)            | 17               | 14    | 14    | 17    |
|                      |                          | (3)               | 31               | 31    | 31    | 31    |

**Table 2–23. EP2S60 Differential Channels** *Note (1)*

| Package                   | Transmitter/<br>Receiver | Total<br>Channels | Center Fast PLLs |       |       |       | Corner Fast PLLs (4) |       |       |        |
|---------------------------|--------------------------|-------------------|------------------|-------|-------|-------|----------------------|-------|-------|--------|
|                           |                          |                   | PLL 1            | PLL 2 | PLL 3 | PLL 4 | PLL 7                | PLL 8 | PLL 9 | PLL 10 |
| 484-pin<br>FineLine BGA   | Transmitter              | 38 (2)            | 10               | 9     | 9     | 10    | 10                   | 9     | 9     | 10     |
|                           |                          | (3)               | 19               | 19    | 19    | 19    | -                    | -     | -     | -      |
|                           | Receiver                 | 42 (2)            | 11               | 10    | 10    | 11    | 11                   | 10    | 10    | 11     |
|                           |                          | (3)               | 21               | 21    | 21    | 21    | -                    | -     | -     | -      |
| 672-pin<br>FineLine BGA   | Transmitter              | 58 (2)            | 16               | 13    | 13    | 16    | 16                   | 13    | 13    | 16     |
|                           |                          | (3)               | 29               | 29    | 29    | 29    | -                    | -     | -     | -      |
|                           | Receiver                 | 62 (2)            | 17               | 14    | 14    | 17    | 17                   | 14    | 14    | 17     |
|                           |                          | (3)               | 31               | 31    | 31    | 31    | -                    | -     | -     | -      |
| 1,020-pin<br>FineLine BGA | Transmitter              | 84 (2)            | 21               | 21    | 21    | 21    | 21                   | 21    | 21    | 21     |
|                           |                          | (3)               | 42               | 42    | 42    | 42    | -                    | -     | -     | -      |
|                           | Receiver                 | 84 (2)            | 21               | 21    | 21    | 21    | 21                   | 21    | 21    | 21     |
|                           |                          | (3)               | 42               | 42    | 42    | 42    | -                    | -     | -     | -      |

**Table 2–24. EP2S90 Differential Channels** *Note (1)*

| Package                        | Transmitter/<br>Receiver | Total<br>Channels | Center Fast PLLs |       |       |       | Corner Fast PLLs (4) |       |       |        |
|--------------------------------|--------------------------|-------------------|------------------|-------|-------|-------|----------------------|-------|-------|--------|
|                                |                          |                   | PLL 1            | PLL 2 | PLL 3 | PLL 4 | PLL 7                | PLL 8 | PLL 9 | PLL 10 |
| 484-pin Hybrid<br>FineLine BGA | Transmitter              | 38 (2)            | 10               | 9     | 9     | 10    | -                    | -     | -     | -      |
|                                |                          | (3)               | 19               | 19    | 19    | 19    | -                    | -     | -     | -      |
|                                | Receiver                 | 42 (2)            | 11               | 10    | 10    | 11    | -                    | -     | -     | -      |
|                                |                          | (3)               | 21               | 21    | 21    | 21    | -                    | -     | -     | -      |
| 780-pin<br>FineLine BGA        | Transmitter              | 64 (2)            | 16               | 16    | 16    | 16    | -                    | -     | -     | -      |
|                                |                          | (3)               | 32               | 32    | 32    | 32    | -                    | -     | -     | -      |
|                                | Receiver                 | 68 (2)            | 17               | 17    | 17    | 17    | -                    | -     | -     | -      |
|                                |                          | (3)               | 34               | 34    | 34    | 34    | -                    | -     | -     | -      |
| 1,020-pin<br>FineLine BGA      | Transmitter              | 90 (2)            | 23               | 22    | 22    | 23    | 23                   | 22    | 22    | 23     |
|                                |                          | (3)               | 45               | 45    | 45    | 45    | -                    | -     | -     | -      |
|                                | Receiver                 | 94 (2)            | 23               | 24    | 24    | 23    | 23                   | 24    | 24    | 23     |
|                                |                          | (3)               | 46               | 46    | 46    | 46    | -                    | -     | -     | -      |
| 1,508-pin<br>FineLine BGA      | Transmitter              | 118 (2)           | 30               | 29    | 29    | 30    | 30                   | 29    | 29    | 30     |
|                                |                          | (3)               | 59               | 59    | 59    | 59    | -                    | -     | -     | -      |
|                                | Receiver                 | 118 (2)           | 30               | 29    | 29    | 30    | 30                   | 29    | 29    | 30     |
|                                |                          | (3)               | 59               | 59    | 59    | 59    | -                    | -     | -     | -      |

**Table 2–25. EP2S130 Differential Channels** *Note (1)*

| Package                   | Transmitter/<br>Receiver | Total<br>Channels | Center Fast PLLs |       |       |       | Corner Fast PLLs (4) |       |       |        |
|---------------------------|--------------------------|-------------------|------------------|-------|-------|-------|----------------------|-------|-------|--------|
|                           |                          |                   | PLL 1            | PLL 2 | PLL 3 | PLL 4 | PLL 7                | PLL 8 | PLL 9 | PLL 10 |
| 780-pin<br>FineLine BGA   | Transmitter              | 64 (2)            | 16               | 16    | 16    | 16    | -                    | -     | -     | -      |
|                           |                          | (3)               | 32               | 32    | 32    | 32    | -                    | -     | -     | -      |
|                           | Receiver                 | 68 (2)            | 17               | 17    | 17    | 17    | -                    | -     | -     | -      |
|                           |                          | (3)               | 34               | 34    | 34    | 34    | -                    | -     | -     | -      |
| 1,020-pin<br>FineLine BGA | Transmitter              | 88 (2)            | 22               | 22    | 22    | 22    | 22                   | 22    | 22    | 22     |
|                           |                          | (3)               | 44               | 44    | 44    | 44    | -                    | -     | -     | -      |
|                           | Receiver                 | 92 (2)            | 23               | 23    | 23    | 23    | 23                   | 23    | 23    | 23     |
|                           |                          | (3)               | 46               | 46    | 46    | 46    | -                    | -     | -     | -      |
| 1,508-pin<br>FineLine BGA | Transmitter              | 156 (2)           | 37               | 41    | 41    | 37    | 37                   | 41    | 41    | 37     |
|                           |                          | (3)               | 78               | 78    | 78    | 78    | -                    | -     | -     | -      |
|                           | Receiver                 | 156 (2)           | 37               | 41    | 41    | 37    | 37                   | 41    | 41    | 37     |
|                           |                          | (3)               | 78               | 78    | 78    | 78    | -                    | -     | -     | -      |

**Table 2–26. EP2S180 Differential Channels** *Note (1)*

| Package                   | Transmitter/<br>Receiver | Total<br>Channels | Center Fast PLLs |       |       |       | Corner Fast PLLs (4) |       |       |        |
|---------------------------|--------------------------|-------------------|------------------|-------|-------|-------|----------------------|-------|-------|--------|
|                           |                          |                   | PLL 1            | PLL 2 | PLL 3 | PLL 4 | PLL 7                | PLL 8 | PLL 9 | PLL 10 |
| 1,020-pin<br>FineLine BGA | Transmitter              | 88 (2)            | 22               | 22    | 22    | 22    | 22                   | 22    | 22    | 22     |
|                           |                          | (3)               | 44               | 44    | 44    | 44    | -                    | -     | -     | -      |
|                           | Receiver                 | 92 (2)            | 23               | 23    | 23    | 23    | 23                   | 23    | 23    | 23     |
|                           |                          | (3)               | 46               | 46    | 46    | 46    | -                    | -     | -     | -      |
| 1,508-pin<br>FineLine BGA | Transmitter              | 156 (2)           | 37               | 41    | 41    | 37    | 37                   | 41    | 41    | 37     |
|                           |                          | (3)               | 78               | 78    | 78    | 78    | -                    | -     | -     | -      |
|                           | Receiver                 | 156 (2)           | 37               | 41    | 41    | 37    | 37                   | 41    | 41    | 37     |
|                           |                          | (3)               | 78               | 78    | 78    | 78    | -                    | -     | -     | -      |

**Notes to Tables 2–21 to 2–26:**

- (1) The total number of receiver channels includes the four non-dedicated clock channels that can be optionally used as data channels.
- (2) This is the maximum number of channels the PLLs can directly drive.
- (3) This is the maximum number of channels if the device uses cross bank channels from the adjacent center PLL.
- (4) The channels accessible by the center fast PLL overlap with the channels accessible by the corner fast PLL. Therefore, the total number of channels is not the addition of the number of channels accessible by PLLs 1, 2, 3, and 4 with the number of channels accessible by PLLs 7, 8, 9, and 10.

## Dedicated Circuitry with DPA Support

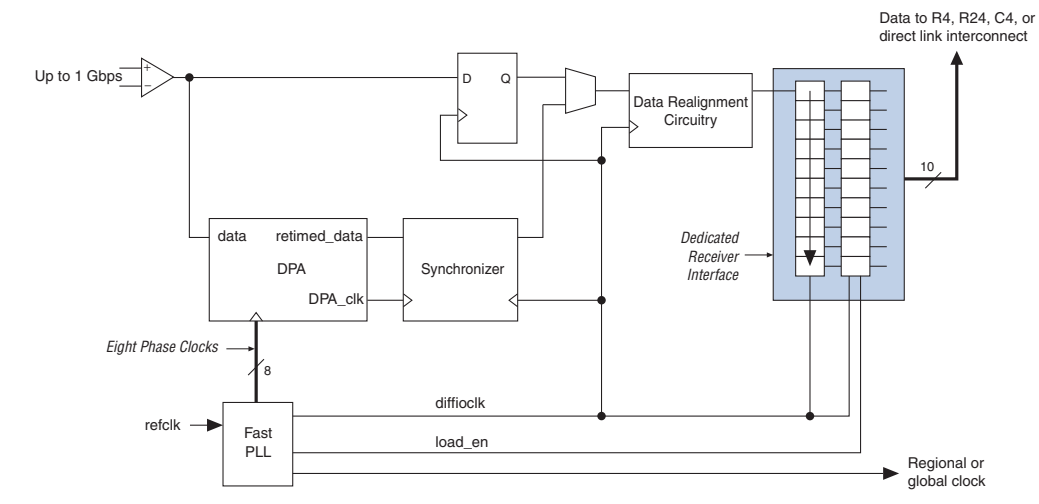
Stratix II devices support source-synchronous interfacing with LVDS or HyperTransport signaling at up to 1 Gbps. Stratix II devices can transmit or receive serial channels along with a low-speed or high-speed clock. The receiving device PLL multiplies the clock by an integer factor  $W = 1$  through 32. For example, a HyperTransport technology application where the data rate is 1,000 Mbps and the clock rate is 500 MHz would require that  $W$  be set to 2. The SERDES factor  $J$  determines the parallel data width to deserialize from receivers or to serialize for transmitters. The SERDES factor  $J$  can be set to 4, 5, 6, 7, 8, 9, or 10 and does not have to equal the PLL clock-multiplication  $W$  value. A design using the dynamic phase aligner also supports all of these  $J$  factor values. For a  $J$  factor of 1, the Stratix II device bypasses the SERDES block. For a  $J$  factor of 2, the Stratix II device bypasses the SERDES block, and the DDR input and output registers are used in the IOE. Figure 2-58 shows the block diagram of the Stratix II transmitter channel.

**Figure 2-58. Stratix II Transmitter Channel**



Each Stratix II receiver channel features a DPA block for phase detection and selection, a SERDES, a synchronizer, and a data realigner circuit. You can bypass the dynamic phase aligner without affecting the basic source-synchronous operation of the channel. In addition, you can dynamically switch between using the DPA block or bypassing the block via a control signal from the logic array. Figure 2-59 shows the block diagram of the Stratix II receiver channel.

Figure 2–59. Stratix II Receiver Channel



An external pin or global or regional clock can drive the fast PLLs, which can output up to three clocks: two multiplied high-speed clocks to drive the SERDES block and/or external pin, and a low-speed clock to drive the logic array. In addition, eight phase-shifted clocks from the VCO can feed to the DPA circuitry.



For more information on the fast PLL, see the *PLLs in Stratix II & Stratix II GX Devices* chapter in volume 2 of the *Stratix II Device Handbook* or the *Stratix II GX Device Handbook*.

The eight phase-shifted clocks from the fast PLL feed to the DPA block. The DPA block selects the closest phase to the center of the serial data eye to sample the incoming data. This allows the source-synchronous circuitry to capture incoming data correctly regardless of the channel-to-channel or clock-to-channel skew. The DPA block locks to a phase closest to the serial data phase. The phase-aligned DPA clock is used to write the data into the synchronizer.

The synchronizer sits between the DPA block and the data realignment and SERDES circuitry. Since every channel utilizing the DPA block can have a different phase selected to sample the data, the synchronizer is needed to synchronize the data to the high-speed clock domain of the data realignment and the SERDES circuitry.

For high-speed source synchronous interfaces such as POS-PHY 4, Parallel RapidIO, and HyperTransport, the source synchronous clock rate is not a byte- or SERDES-rate multiple of the data rate. Byte alignment is necessary for these protocols since the source synchronous clock does not provide a byte or word boundary since the clock is one half the data rate, not one eighth. The Stratix II device's high-speed differential I/O circuitry provides dedicated data realignment circuitry for user-controlled byte boundary shifting. This simplifies designs while saving ALM resources. You can use an ALM-based state machine to signal the shift of receiver byte boundaries until a specified pattern is detected to indicate byte alignment.

### Fast PLL & Channel Layout

The receiver and transmitter channels are interleaved such that each I/O bank on the left and right side of the device has one receiver channel and one transmitter channel per LAB row. [Figure 2-60](#) shows the fast PLL and channel layout in the EP2S15 and EP2S30 devices. [Figure 2-61](#) shows the fast PLL and channel layout in the EP2S60 to EP2S180 devices.

**Figure 2-60. Fast PLL & Channel Layout in the EP2S15 & EP2S30 Devices** *Note (1)*

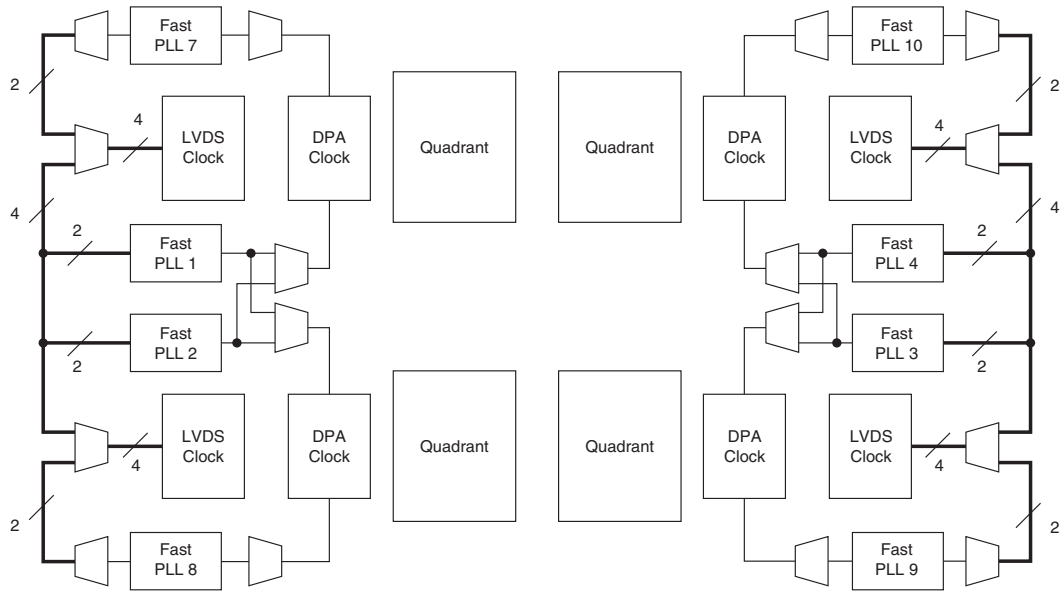


**Note to Figure 2-60:**

(1) See [Table 2-21](#) for the number of channels each device supports.



**Figure 2-61. Fast PLL & Channel Layout in the EP2S60 to EP2S180 Devices** *Note (1)*



**Note to Figure 2-61:**

(1) See Tables 2-22 through 2-26 for the number of channels each device supports.

## Document Revision History

Table 2–27 shows the revision history for this chapter.

| <b>Date and Document Version</b> | <b>Changes Made</b>  | <b>Summary of Changes</b>   |
|----------------------------------|--|---|
| May 2007, v4.3                   | Updated “Clock Control Block” section.   | —   |
|                                  | Updated note in the “Clock Control Block” section.   | —   |
|                                  | Deleted Tables 2-11 and 2-12.  | —   |
|                                  | Updated notes to: <ul style="list-style-type: none"> <li>● Figure 2–41</li> <li>● Figure 2–42</li> <li>● Figure 2–43</li> <li>● Figure 2–45</li> </ul>   | —   |
|                                  | Updated notes to Table 2–18.   | —   |
|                                  | Moved Document Revision History to end of the chapter.   | —   |
| August 2006, v4.2                | Updated Table 2–18 with note.  | —   |
| April 2006, v4.1                 | <ul style="list-style-type: none"> <li>● Updated Table 2–13.</li> <li>● Removed Note 2 from Table 2–16.</li> <li>● Updated “On-Chip Termination” section and Table 2–19 to include parallel termination with calibration information.</li> <li>● Added new “On-Chip Parallel Termination with Calibration” section.</li> <li>● Updated Figure 2–44.</li> </ul> | <ul style="list-style-type: none"> <li>● Added parallel on-chip termination description and specification.</li> <li>● Changed RCLK names to match the Quartus II software in Table 2–13.</li> </ul> |
| December 2005, v4.0              | Updated “Clock Control Block” section.   | —   |
| July 2005, v3.1                  | <ul style="list-style-type: none"> <li>● Updated HyperTransport technology information in Table 2–18.</li> <li>● Updated HyperTransport technology information in Figure 2–57.</li> <li>● Added information on the asynchronous clear signal.</li> </ul>   | —   |
| May 2005, v3.0                   | <ul style="list-style-type: none"> <li>● Updated “Functional Description” section.</li> <li>● Updated Table 2–3.</li> <li>● Updated “Clock Control Block” section.</li> <li>● Updated Tables 2–17 through 2–19.</li> <li>● Updated Tables 2–20 through 2–22.</li> <li>● Updated Figure 2–57.</li> </ul>  | —   |
| March 2005, 2.1                  | <ul style="list-style-type: none"> <li>● Updated “Functional Description” section.</li> <li>● Updated Table 2–3.</li> </ul>  | —   |

**Table 2–27. Document Revision History (Part 2 of 2)**

| Date and Document Version | Changes Made   | Summary of Changes |
|---------------------------|--|--------------------|
| January 2005, v2.0        | <ul style="list-style-type: none"> <li>● Updated the “MultiVolt I/O Interface” and “TriMatrix Memory” sections.</li> <li>● Updated Tables 2–3, 2–17, and 2–19.</li> </ul>  | —                  |
| October 2004, v1.2        | <ul style="list-style-type: none"> <li>● Updated Tables 2–9, 2–16, 2–26, and 2–27.</li> </ul>  | —                  |
| July 2004, v1.1           | <ul style="list-style-type: none"> <li>● Updated note to Tables 2–9 and 2–16.</li> <li>● Updated Tables 2–16, 2–17, 2–18, 2–19, and 2–20.</li> <li>● Updated Figures 2–41, 2–42, and 2–57.</li> <li>● Removed 3 from list of SERDES factor <i>J</i>.</li> <li>● Updated “High-Speed Differential I/O with DPA Support” section.</li> <li>● In “Dedicated Circuitry with DPA Support” section, removed XSBI and changed RapidIO to Parallel RapidIO.</li> </ul> | —                  |
| February 2004, v1.0       | Added document to the Stratix II Device Handbook.  | —                  |



## IEEE Std. 1149.1 JTAG Boundary- Scan Support

All Stratix® II devices provide Joint Test Action Group (JTAG) boundary-scan test (BST) circuitry that complies with the IEEE Std. 1149.1. JTAG boundary-scan testing can be performed either before or after, but not during configuration. Stratix II devices can also use the JTAG port for configuration with the Quartus® II software or hardware using either Jam Files (.jam) or Jam Byte-Code Files (.jbc).

Stratix II devices support IOE I/O standard setting reconfiguration through the JTAG BST chain. The JTAG chain can update the I/O standard for all input and output pins any time before or during user mode through the CONFIG\_IO instruction. You can use this capability for JTAG testing before configuration when some of the Stratix II pins drive or receive from other devices on the board using voltage-referenced standards. Because the Stratix II device may not be configured before JTAG testing, the I/O pins may not be configured for appropriate electrical standards for chip-to-chip communication. Programming those I/O standards via JTAG allows you to fully test I/O connections to other devices.

A device operating in JTAG mode uses four required pins, TDI, TDO, TMS, and TCK, and one optional pin, TRST. The TCK pin has an internal weak pull-down resistor, while the TDI, TMS and TRST pins have weak internal pull-ups. The JTAG input pins are powered by the 3.3-V VCCPD pins. The TDO output pin is powered by the VCCIO power supply of bank 4.

Stratix II devices also use the JTAG port to monitor the logic operation of the device with the SignalTap® II embedded logic analyzer. Stratix II devices support the JTAG instructions shown in [Table 3-1](#).



Stratix II, Stratix, Cyclone® II, and Cyclone devices must be within the first 17 devices in a JTAG chain. All of these devices have the same JTAG controller. If any of the Stratix II, Stratix, Cyclone II, or Cyclone devices are in the 18th or further position, they fail configuration. This does not affect SignalTap II.

The Stratix II device instruction register length is 10 bits and the USERCODE register length is 32 bits. [Tables 3-2](#) and [3-3](#) show the boundary-scan register length and device IDCODE information for Stratix II devices.

| <b>Table 3–1. Stratix II JTAG Instructions</b> |                         |  |
|--|-------------------------|--|
| <b>JTAG Instruction</b>                        | <b>Instruction Code</b> | <b>Description</b>   |
| SAMPLE/PRELOAD                                 | 00 0000 0101            | Allows a snapshot of signals at the device pins to be captured and examined during normal device operation, and permits an initial data pattern to be output at the device pins. Also used by the SignalTap II embedded logic analyzer.  |
| EXTEST (1)                                     | 00 0000 1111            | Allows the external circuitry and board-level interconnects to be tested by forcing a test pattern at the output pins and capturing test results at the input pins.  |
| BYPASS   | 11 1111 1111            | Places the 1-bit bypass register between the TDI and TDO pins, which allows the BST data to pass synchronously through selected devices to adjacent devices during normal device operation.  |
| USERCODE                                       | 00 0000 0111            | Selects the 32-bit USERCODE register and places it between the TDI and TDO pins, allowing the USERCODE to be serially shifted out of TDO.  |
| IDCODE   | 00 0000 0110            | Selects the IDCODE register and places it between TDI and TDO, allowing the IDCODE to be serially shifted out of TDO.  |
| HIGHZ (1)                                      | 00 0000 1011            | Places the 1-bit bypass register between the TDI and TDO pins, which allows the BST data to pass synchronously through selected devices to adjacent devices during normal device operation, while tri-stating all of the I/O pins.   |
| CLAMP (1)                                      | 00 0000 1010            | Places the 1-bit bypass register between the TDI and TDO pins, which allows the BST data to pass synchronously through selected devices to adjacent devices during normal device operation while holding I/O pins to a state defined by the data in the boundary-scan register.  |
| ICR instructions                               |                         | Used when configuring a Stratix II device via the JTAG port with a USB Blaster, MasterBlaster™, ByteBlasterMV™, or ByteBlaster II download cable, or when using a .jam or .jbc via an embedded processor or JRunner.   |
| PULSE_NCONFIG                                  | 00 0000 0001            | Emulates pulsing the nCONFIG pin low to trigger reconfiguration even though the physical pin is unaffected.  |
| CONFIG_IO (2)                                  | 00 0000 1101            | Allows configuration of I/O standards through the JTAG chain for JTAG testing. Can be executed before, during, or after configuration. Stops configuration if executed during configuration. Once issued, the CONFIG_IO instruction holds nSTATUS low to reset the configuration device. nSTATUS is held low until the IOE configuration register is loaded and the TAP controller state machine transitions to the UPDATE_DR state. |
| SignalTap II instructions                      |                         | Monitors internal device operation with the SignalTap II embedded logic analyzer.  |

**Notes to Table 3–1:**

- (1) Bus hold and weak pull-up resistor features override the high-impedance state of HIGHZ, CLAMP, and EXTEST.
- (2) For more information on using the CONFIG\_IO instruction, see the *MorphIO: An I/O Reconfiguration Solution for Altera Devices White Paper*.

The Quartus II software has an Auto Usercode feature where you can choose to use the checksum value of a programming file as the JTAG user code. If selected, the checksum is automatically loaded to the USERCODE register. Turn on the **Auto Usercode** option by clicking **Device & Pin Options**, then **General**, in the **Settings** dialog box (Assignments menu).

**Table 3–2. Stratix II Boundary-Scan Register Length**

| Device  | Boundary-Scan Register Length |
|---------|-------------------------------|
| EP2S15  | 1,140                         |
| EP2S30  | 1,692                         |
| EP2S60  | 2,196                         |
| EP2S90  | 2,748                         |
| EP2S130 | 3,420                         |
| EP2S180 | 3,948                         |

**Table 3–3. 32-Bit Stratix II Device IDCODE**

| Device  | IDCODE (32 Bits) (1) |                       |                                 |                 |
|---------|----------------------|-----------------------|---------------------------------|-----------------|
|         | Version (4 Bits)     | Part Number (16 Bits) | Manufacturer Identity (11 Bits) | LSB (1 Bit) (2) |
| EP2S15  | 0000                 | 0010 0000 1001 0001   | 000 0110 1110                   | 1               |
| EP2S30  | 0000                 | 0010 0000 1001 0010   | 000 0110 1110                   | 1               |
| EP2S60  | 0001                 | 0010 0000 1001 0011   | 000 0110 1110                   | 1               |
| EP2S90  | 0000                 | 0010 0000 1001 0100   | 000 0110 1110                   | 1               |
| EP2S130 | 0000                 | 0010 0000 1001 0101   | 000 0110 1110                   | 1               |
| EP2S180 | 0000                 | 0010 0000 1001 0110   | 000 0110 1110                   | 1               |

**Notes to Table 3–3:**

- (1) The most significant bit (MSB) is on the left.
- (2) The IDCODE's least significant bit (LSB) is always 1.



Stratix, Stratix II, Cyclone, and Cyclone II devices must be within the first 17 devices in a JTAG chain. All of these devices have the same JTAG controller. If any of the Stratix, Stratix II, Cyclone, and Cyclone II devices are in the 18th or after they fail configuration. This does not affect SignalTap II.



For more information on JTAG, see the following documents:

- The *IEEE Std. 1149.1 (JTAG) Boundary-Scan Testing for Stratix II & Stratix II GX Devices* chapter of the *Stratix II Device Handbook, Volume 2* or the *Stratix II GX Device Handbook, Volume 2*
- Jam Programming & Test Language Specification

## SignalTap II Embedded Logic Analyzer

Stratix II devices feature the SignalTap II embedded logic analyzer, which monitors design operation over a period of time through the IEEE Std. 1149.1 (JTAG) circuitry. You can analyze internal logic at speed without bringing internal signals to the I/O pins. This feature is particularly important for advanced packages, such as FineLine BGA® packages, because it can be difficult to add a connection to a pin during the debugging process after a board is designed and manufactured.

## Configuration

The logic, circuitry, and interconnects in the Stratix II architecture are configured with CMOS SRAM elements. Altera® FPGA devices are reconfigurable and every device is tested with a high coverage production test program so you do not have to perform fault testing and can instead focus on simulation and design verification.

Stratix II devices are configured at system power-up with data stored in an Altera configuration device or provided by an external controller (e.g., a MAX® II device or microprocessor). Stratix II devices can be configured using the fast passive parallel (FPP), active serial (AS), passive serial (PS), passive parallel asynchronous (PPA), and JTAG configuration schemes. The Stratix II device's optimized interface allows microprocessors to configure it serially or in parallel, and synchronously or asynchronously. The interface also enables microprocessors to treat Stratix II devices as memory and configure them by writing to a virtual memory location, making reconfiguration easy.

In addition to the number of configuration methods supported, Stratix II devices also offer the design security, decompression, and remote system upgrade features. The design security feature, using configuration bitstream encryption and AES technology, provides a mechanism to protect your designs. The decompression feature allows Stratix II FPGAs to receive a compressed configuration bitstream and decompress this data in real-time, reducing storage requirements and configuration time. The remote system upgrade feature allows real-time system upgrades from remote locations of your Stratix II designs. For more information, see [“Configuration Schemes” on page 3–7](#).



## Operating Modes

The Stratix II architecture uses SRAM configuration elements that require configuration data to be loaded each time the circuit powers up. The process of physically loading the SRAM data into the device is called configuration. During initialization, which occurs immediately after configuration, the device resets registers, enables I/O pins, and begins to operate as a logic device. The I/O pins are tri-stated during power-up, and before and during configuration. Together, the configuration and initialization processes are called command mode. Normal device operation is called user mode.

SRAM configuration elements allow Stratix II devices to be reconfigured in-circuit by loading new configuration data into the device. With real-time reconfiguration, the device is forced into command mode with a device pin. The configuration process loads different configuration data, reinitializes the device, and resumes user-mode operation. You can perform in-field upgrades by distributing new configuration files either within the system or remotely.

PORSEL is a dedicated input pin used to select POR delay times of 12 ms or 100 ms during power-up. When the PORSEL pin is connected to ground, the POR time is 100 ms; when the PORSEL pin is connected to  $V_{CC}$ , the POR time is 12 ms.

The nIO PULLUP pin is a dedicated input that chooses whether the internal pull-ups on the user I/O pins and dual-purpose configuration I/O pins (nCS0, ASDO, DATA [7 . . 0], nWS, nRS, RDYnBSY, nCS, CS, RUnLU, PGM [2 . . 0], CLKUSR, INIT\_DONE, DEV\_OE, DEV\_CLR) are on or off before and during configuration. A logic high (1.5, 1.8, 2.5, 3.3 V) turns off the weak internal pull-ups, while a logic low turns them on.

Stratix II devices also offer a new power supply,  $V_{CCPD}$ , which must be connected to 3.3 V in order to power the 3.3-V/2.5-V buffer available on the configuration input pins and JTAG pins.  $V_{CCPD}$  applies to all the JTAG input pins (TCK, TMS, TDI, and TRST) and the configuration input pins when VCCSEL is connected to ground. See [Table 3–4](#) for more information on the pins affected by VCCSEL.

The VCCSEL pin allows the  $V_{CCIO}$  setting (of the banks where the configuration inputs reside) to be independent of the voltage required by the configuration inputs. Therefore, when selecting the  $V_{CCIO}$ , the  $V_{IL}$  and  $V_{IH}$  levels driven to the configuration inputs do not have to be a concern.

The PLL\_ENA pin and the configuration input pins (Table 3–4) have a dual buffer design: a 3.3-V/2.5-V input buffer and a 1.8-V/1.5-V input buffer. The VCCSEL input pin selects which input buffer is used. The 3.3-V/2.5-V input buffer is powered by V<sub>CCPD</sub>, while the 1.8-V/1.5-V input buffer is powered by V<sub>CCIO</sub>. Table 3–4 shows the pins affected by VCCSEL.

**Table 3–4. Pins Affected by the Voltage Level at VCCSEL**

| Pin                               | VCCSEL = LOW (connected to GND)  | VCCSEL = HIGH (connected to V <sub>CCPD</sub> )   |
|-----------------------------------|--|---|
| nSTATUS (when used as an input)   | 3.3/2.5-V input buffer is selected. Input buffer is powered by V <sub>CCPD</sub> . | 1.8/1.5-V input buffer is selected. Input buffer is powered by V <sub>CCIO</sub> of the I/O bank. |
| nCONFIG                           |  |   |
| CONF_DONE (when used as an input) |  |   |
| DATA [7 . . 0]                    |  |   |
| nCE                               |  |   |
| DCLK (when used as an input)      |  |   |
| CS                                |  |   |
| nWS                               |  |   |
| nRS                               |  |   |
| nCS                               |  |   |
| CLKUSR                            |  |   |
| DEV_OE                            |  |   |
| DEV_CLRn                          |  |   |
| RUnLU                             |  |   |
| PLL_ENA                           |  |   |

VCCSEL is sampled during power-up. Therefore, the VCCSEL setting cannot change on the fly or during a reconfiguration. The VCCSEL input buffer is powered by V<sub>CCINT</sub> and must be hardwired to V<sub>CCPD</sub> or ground. A logic high VCCSEL connection selects the 1.8-V/1.5-V input buffer, and a logic low selects the 3.3-V/2.5-V input buffer. VCCSEL should be set to comply with the logic levels driven out of the configuration device or MAX<sup>®</sup> II/microprocessor.

If you need to support configuration input voltages of 3.3 V/2.5 V, you should set the VCCSEL to a logic low; you can set the V<sub>CCIO</sub> of the I/O bank that contains the configuration inputs to any supported voltage. If

you need to support configuration input voltages of 1.8 V/1.5 V, you should set the VCCSEL to a logic high and the V<sub>CCIO</sub> of the bank that contains the configuration inputs to 1.8 V/1.5 V.



For more information on multi-volt support, including information on using TDO and nCEO in multi-volt systems, refer to the *Stratix II Architecture* chapter in volume 1 of the *Stratix II Device Handbook*.

## Configuration Schemes

You can load the configuration data for a Stratix II device with one of five configuration schemes (see [Table 3–5](#)), chosen on the basis of the target application. You can use a configuration device, intelligent controller, or the JTAG port to configure a Stratix II device. A configuration device can automatically configure a Stratix II device at system power-up.

You can configure multiple Stratix II devices in any of the five configuration schemes by connecting the configuration enable (nCE) and configuration enable output (nCEO) pins on each device.

Stratix II FPGAs offer the following:

- Configuration data decompression to reduce configuration file storage
- Design security using configuration data encryption to protect your designs
- Remote system upgrades for remotely updating your Stratix II designs

[Table 3–5](#) summarizes which configuration features can be used in each configuration scheme.

| Configuration Scheme | Configuration Method                             | Design Security | Decompression | Remote System Upgrade |
|----------------------|--|-----------------|---------------|-----------------------|
| FPP                  | MAX II device or microprocessor and flash device | ✓ (1)           | ✓ (1)         | ✓                     |
|                      | Enhanced configuration device                    |                 | ✓ (2)         | ✓                     |
| AS                   | Serial configuration device                      | ✓               | ✓             | ✓ (3)                 |
| PS                   | MAX II device or microprocessor and flash device | ✓               | ✓             | ✓                     |
|                      | Enhanced configuration device                    | ✓               | ✓             | ✓                     |
|                      | Download cable (4)                               | ✓               | ✓             |                       |

**Table 3–5. Stratix II Configuration Features (Part 2 of 2)**

| Configuration Scheme | Configuration Method                             | Design Security | Decompression | Remote System Upgrade |
|----------------------|--|-----------------|---------------|-----------------------|
| PPA                  | MAX II device or microprocessor and flash device |                 |               | ✓                     |
| JTAG                 | Download cable (4)                               |                 |               |                       |
|                      | MAX II device or microprocessor and flash device |                 |               |                       |

**Notes for Table 3–5:**

- (1) In these modes, the host system must send a DCLK that is 4× the data rate.
- (2) The enhanced configuration device decompression feature is available, while the Stratix II decompression feature is not available.
- (3) Only remote update mode is supported when using the AS configuration scheme. Local update mode is not supported.
- (4) The supported download cables include the Altera USB Blaster universal serial bus (USB) port download cable, MasterBlaster serial/USB communications cable, ByteBlaster II parallel port download cable, and the ByteBlasterMV parallel port download cable.



See the *Configuring Stratix II & Stratix II GX Devices* chapter in volume 2 of the *Stratix II Device Handbook* or the *Stratix II GX Device Handbook* for more information about configuration schemes in Stratix II and Stratix II GX devices.

*Device Security Using Configuration Bitstream Encryption*

Stratix II FPGAs are the industry’s first FPGAs with the ability to decrypt a configuration bitstream using the Advanced Encryption Standard (AES) algorithm. When using the design security feature, a 128-bit security key is stored in the Stratix II FPGA. To successfully configure a Stratix II FPGA that has the design security feature enabled, it must be configured with a configuration file that was encrypted using the same 128-bit security key. The security key can be stored in non-volatile memory inside the Stratix II device. This non-volatile memory does not require any external devices, such as a battery back-up, for storage.



An encryption configuration file is the same size as a non-encryption configuration file. When using a serial configuration scheme such as passive serial (PS) or active serial (AS), configuration time is the same whether or not the design security feature is enabled. If the fast passive parallel (FPP) scheme is used with the design security or decompression feature, a  $4 \times$  DCLK is required. This results in a slower configuration time when compared to the configuration time of an FPGA that has neither the design security, nor decompression feature enabled. For more information about this feature, refer to *AN 341: Using the Design Security Feature in Stratix II Devices*. Contact your local Altera sales representative to request this document.

### *Device Configuration Data Decompression*

Stratix II FPGAs support decompression of configuration data, which saves configuration memory space and time. This feature allows you to store compressed configuration data in configuration devices or other memory, and transmit this compressed bit stream to Stratix II FPGAs. During configuration, the Stratix II FPGA decompresses the bit stream in real time and programs its SRAM cells.

Stratix II FPGAs support decompression in the FPP (when using a MAX II device/microprocessor and flash memory), AS and PS configuration schemes. Decompression is not supported in the PPA configuration scheme nor in JTAG-based configuration.

### *Remote System Upgrades*

Shortened design cycles, evolving standards, and system deployments in remote locations are difficult challenges faced by modern system designers. Stratix II devices can help effectively deal with these challenges with their inherent re-programmability and dedicated circuitry to perform remote system updates. Remote system updates help deliver feature enhancements and bug fixes without costly recalls, reduce time to market, and extend product life.

Stratix II FPGAs feature dedicated remote system upgrade circuitry to facilitate remote system updates. Soft logic (Nios<sup>®</sup> processor or user logic) implemented in the Stratix II device can download a new configuration image from a remote location, store it in configuration memory, and direct the dedicated remote system upgrade circuitry to initiate a reconfiguration cycle. The dedicated circuitry performs error detection during and after the configuration process, recovers from any error condition by reverting back to a safe configuration image, and provides

error status information. This dedicated remote system upgrade circuitry avoids system downtime and is the critical component for successful remote system upgrades.

RSC is supported in the following Stratix II configuration schemes: FPP, AS, PS, and PPA. RSC can also be implemented in conjunction with advanced Stratix II features such as real-time decompression of configuration data and design security using AES for secure and efficient field upgrades.



See the *Remote System Upgrades With Stratix II & Stratix II GX Devices* chapter in volume 2 of the *Stratix II Device Handbook* or the *Stratix II GX Device Handbook* for more information about remote configuration in Stratix II devices.

### Configuring Stratix II FPGAs with JRunner

JRunner is a software driver that configures Altera FPGAs, including Stratix II FPGAs, through the ByteBlaster II or ByteBlasterMV cables in JTAG mode. The programming input file supported is in Raw Binary File (**.rbf**) format. JRunner also requires a Chain Description File (**.cdf**) generated by the Quartus II software. JRunner is targeted for embedded JTAG configuration. The source code is developed for the Windows NT operating system (OS), but can be customized to run on other platforms.



For more information on the JRunner software driver, see the *JRunner Software Driver: An Embedded Solution to the JTAG Configuration White Paper* and the source files on the Altera web site (**www.altera.com**).

### Programming Serial Configuration Devices with SRunner

A serial configuration device can be programmed in-system by an external microprocessor using SRunner. SRunner is a software driver developed for embedded serial configuration device programming that can be easily customized to fit in different embedded systems. SRunner is able to read a **.rpd** file (Raw Programming Data) and write to the serial configuration devices. The serial configuration device programming time using SRunner is comparable to the programming time when using the Quartus II software.



For more information about SRunner, see the *SRunner: An Embedded Solution for EPCS Programming White Paper* and the source code on the Altera web site at **www.altera.com**.



For more information on programming serial configuration devices, see the Serial Configuration Devices (EPCS1 & EPCS4) Data Sheet in the *Configuration Handbook*.

## Configuring Stratix II FPGAs with the MicroBlaster Driver

The MicroBlaster™ software driver supports an RBF programming input file and is ideal for embedded FPP or PS configuration. The source code is developed for the Windows NT operating system, although it can be customized to run on other operating systems. For more information on the MicroBlaster software driver, see the *Configuring the MicroBlaster Fast Passive Parallel Software Driver White Paper* or the *Configuring the MicroBlaster Passive Serial Software Driver White Paper* on the Altera web site ([www.altera.com](http://www.altera.com)).

## PLL Reconfiguration

The phase-locked loops (PLLs) in the Stratix II device family support reconfiguration of their multiply, divide, VCO-phase selection, and bandwidth selection settings without reconfiguring the entire device. You can use either serial data from the logic array or regular I/O pins to program the PLL's counter settings in a serial chain. This option provides considerable flexibility for frequency synthesis, allowing real-time variation of the PLL frequency and delay. The rest of the device is functional while reconfiguring the PLL.



See the *PLLs in Stratix II & Stratix II GX Devices* chapter in volume 2 of the *Stratix II Device Handbook* or the *Stratix II GX Device Handbook* for more information on Stratix II PLLs.

## Temperature Sensing Diode (TSD)

Stratix II devices include a diode-connected transistor for use as a temperature sensor in power management. This diode is used with an external digital thermometer device. These devices steer bias current through the Stratix II diode, measuring forward voltage and converting this reading to temperature in the form of an 8-bit signed number (7 bits plus sign). The external device's output represents the junction temperature of the Stratix II device and can be used for intelligent power management.

The diode requires two pins (`tempdiodep` and `tempdioden`) on the Stratix II device to connect to the external temperature-sensing device, as shown in [Figure 3-1](#). The temperature sensing diode is a passive element and therefore can be used before the Stratix II device is powered.

**Figure 3–1. External Temperature-Sensing Diode**



Table 3–6 shows the specifications for bias voltage and current of the Stratix II temperature sensing diode.

**Table 3–6. Temperature-Sensing Diode Electrical Characteristics**

| Parameter         | Minimum | Typical | Maximum | Unit |
|-------------------|---------|---------|---------|------|
| IBIAS high        | 80      | 100     | 120     | μA   |
| IBIAS low         | 8       | 10      | 12      | μA   |
| VBP - VBN         | 0.3     |         | 0.9     | V    |
| VBN               |         | 0.7     |         | V    |
| Series resistance |         |         | 3       | Ω    |



The temperature-sensing diode works for the entire operating range, as shown in Figure 3–2.

**Figure 3–2. Temperature vs. Temperature-Sensing Diode Voltage**



The temperature sensing diode is a very sensitive circuit which can be influenced by noise coupled from other traces on the board, and possibly within the device package itself, depending on device usage. The interfacing device registers temperature based on millivolts of difference as seen at the TSD. Switching I/O near the TSD pins can affect the temperature reading. Altera recommends you take temperature readings during periods of no activity in the device (for example, standby mode where no clocks are toggling in the device), such as when the nearby I/Os are at a DC state, and disable clock networks in the device.

## Automated Single Event Upset (SEU) Detection

Stratix II devices offer on-chip circuitry for automated checking of single event upset (SEU) detection. Some applications that require the device to operate error free at high elevations or in close proximity to Earth's North or South Pole require periodic checks to ensure continued data integrity. The error detection cyclic redundancy check (CRC) feature controlled by

the Device & Pin Options dialog box in the Quartus II software uses a 32-bit CRC circuit to ensure data reliability and is one of the best options for mitigating SEU.

You can implement the error detection CRC feature with existing circuitry in Stratix II devices, eliminating the need for external logic. For Stratix II devices, CRC is computed by the device during configuration and checked against an automatically computed CRC during normal operation. The CRC\_ERROR pin reports a soft error when configuration SRAM data is corrupted, triggering device reconfiguration.

### Custom-Built Circuitry

Dedicated circuitry is built in the Stratix II devices to perform error detection automatically. This error detection circuitry in Stratix II devices constantly checks for errors in the configuration SRAM cells while the device is in user mode. You can monitor one external pin for the error and use it to trigger a re-configuration cycle. You can select the desired time between checks by adjusting a built-in clock divider.

### Software Interface

In the Quartus II software version 4.1 and later, you can turn on the automated error detection CRC feature in the Device & Pin Options dialog box. This dialog box allows you to enable the feature and set the internal frequency of the CRC between 400 kHz to 50 MHz. This controls the rate that the CRC circuitry verifies the internal configuration SRAM bits in the FPGA device.

For more information on CRC, refer to *AN 357: Error Detection Using CRC in Altera FPGA Devices*.

## Document Revision History

Table 3–7 shows the revision history for this chapter.

| <i>Table 3–7. Document Revision History (Part 1 of 2)</i> |  |                           |
|---|--|---------------------------|
| <b>Date and Document Version</b>                          | <b>Changes Made</b>  | <b>Summary of Changes</b> |
| May 2007, v4.2  | Moved Document Revision History section to the end of the chapter. | —                         |
|   | Updated the “Temperature Sensing Diode (TSD)” section.             | —                         |

**Table 3–7. Document Revision History (Part 2 of 2)**

| <b>Date and Document Version</b> | <b>Changes Made</b>   | <b>Summary of Changes</b> |
|----------------------------------|---|---------------------------|
| April 2006, v4.1                 | Updated “Device Security Using Configuration Bitstream Encryption” section.   | —                         |
| December 2005, v4.0              | Updated “Software Interface” section.   | —                         |
| May 2005, v3.0                   | <ul style="list-style-type: none"> <li>● Updated “IEEE Std. 1149.1 JTAG Boundary-Scan Support” section.</li> <li>● Updated “Operating Modes” section.</li> </ul>  | —                         |
| January 2005, v2.1               | Updated JTAG chain device limits.   | —                         |
| January 2005, v2.0               | Updated Table 3–3.  | —                         |
| July 2004, v1.1                  | <ul style="list-style-type: none"> <li>● Added “Automated Single Event Upset (SEU) Detection” section.</li> <li>● Updated “Device Security Using Configuration Bitstream Encryption” section.</li> <li>● Updated Figure 3–2.</li> </ul> | —                         |
| February 2004, v1.0              | Added document to the Stratix II Device Handbook.   | —                         |



Stratix® II devices offer hot socketing, which is also known as hot plug-in or hot swap, and power sequencing support without the use of any external devices. You can insert or remove a Stratix II board in a system during system operation without causing undesirable effects to the running system bus or the board that was inserted into the system.

The hot socketing feature also removes some of the difficulty when you use Stratix II devices on printed circuit boards (PCBs) that also contain a mixture of 5.0-, 3.3-, 2.5-, 1.8-, 1.5- and 1.2-V devices. With the Stratix II hot socketing feature, you no longer need to ensure a proper power-up sequence for each device on the board.

The Stratix II hot socketing feature provides:

- Board or device insertion and removal without external components or board manipulation
- Support for any power-up sequence
- Non-intrusive I/O buffers to system buses during hot insertion

This chapter also discusses the power-on reset (POR) circuitry in Stratix II devices. The POR circuitry keeps the devices in the reset state until the  $V_{CC}$  is within operating range.

### Stratix II Hot-Socketing Specifications

Stratix II devices offer hot socketing capability with all three features listed above without any external components or special design requirements. The hot socketing feature in Stratix II devices allows:

- The device can be driven before power-up without any damage to the device itself.
- I/O pins remain tri-stated during power-up. The device does not drive out before or during power-up, thereby affecting other buses in operation.
- Signal pins do not drive the  $V_{CCIO}$ ,  $V_{CCPD}$ , or  $V_{CCINT}$  power supplies. External input signals to I/O pins of the device do not internally power the  $V_{CCIO}$  or  $V_{CCINT}$  power supplies of the device via internal paths within the device.

### Devices Can Be Driven Before Power-Up

You can drive signals into the I/O pins, dedicated input pins and dedicated clock pins of Stratix II devices before or during power-up or power-down without damaging the device. Stratix II devices support any power-up or power-down sequence ( $V_{CCIO}$ ,  $V_{CCINT}$ , and  $V_{CCPD}$ ) in order to simplify system level design.

### I/O Pins Remain Tri-States During Power-Up

A device that does not support hot-socketing may interrupt system operation or cause contention by driving out before or during power-up. In a hot socketing situation, Stratix II device's output buffers are turned off during system power-up or power-down. Stratix II device also does not drive out until the device is configured and has attained proper operating conditions.

### Signal Pins Do Not Drive the $V_{CCIO}$ , $V_{CCINT}$ or $V_{CCPD}$ Power Supplies

Devices that do not support hot-socketing can short power supplies together when powered-up through the device signal pins. This irregular power-up can damage both the driving and driven devices and can disrupt card power-up.

Stratix II devices do not have a current path from I/O pins, dedicated input pins, or dedicated clock pins to the  $V_{CCIO}$ ,  $V_{CCINT}$ , or  $V_{CCPD}$  pins before or during power-up. A Stratix II device may be inserted into (or removed from) a powered-up system board without damaging or interfering with system-board operation. When hot-socketing, Stratix II devices may have a minimal effect on the signal integrity of the backplane.



You can power up or power down the  $V_{CCIO}$ ,  $V_{CCINT}$ , and  $V_{CCPD}$  pins in any sequence. The power supply ramp rates can range from 100  $\mu$ s to 100 ms. All  $V_{CC}$  supplies must power down within 100 ms of each other to prevent I/O pins from driving out. During hot socketing, the I/O pin capacitance is less than 15 pF and the clock pin capacitance is less than 20 pF. Stratix II devices meet the following hot socketing specification.

- The hot socketing DC specification is:  $| I_{IOPIN} | < 300 \mu\text{A}$ .
- The hot socketing AC specification is:  $| I_{IOPIN} | < 8 \text{ mA}$  for 10 ns or less.

$I_{IOPIN}$  is the current at any user I/O pin on the device. This specification takes into account the pin capacitance, but not board trace and external loading capacitance. Additional capacitance for trace, connector, and loading needs must be considered separately. For the AC specification, the peak current duration is 10 ns or less because of power-up transients. For more information, refer to the *Hot-Socketing & Power-Sequencing Feature & Testing for Altera Devices* white paper.

A possible concern regarding hot-socketing is the potential for latch-up. Latch-up can occur when electrical subsystems are hot-socketed into an active system. During hot-socketing, the signal pins may be connected and driven by the active system before the power supply can provide current to the device's  $V_{CC}$  and ground planes. This condition can lead to latch-up and cause a low-impedance path from  $V_{CC}$  to ground within the device. As a result, the device extends a large amount of current, possibly causing electrical damage. Nevertheless, Stratix II devices are immune to latch-up when hot-socketing.

## Hot Socketing Feature Implementation in Stratix II Devices

The hot socketing feature turns off the output buffer during the power-up event (either  $V_{CCINT}$ ,  $V_{CCIO}$ , or  $V_{CCPD}$  supplies) or power down. The hot-socket circuit will generate an internal `HOTSCKT` signal when either  $V_{CCINT}$ ,  $V_{CCIO}$ , or  $V_{CCPD}$  is below threshold voltage. The `HOTSCKT` signal will cut off the output buffer to make sure that no DC current (except for weak pull up leaking) leaks through the pin. When  $V_{CC}$  ramps up very slowly,  $V_{CC}$  is still relatively low even after the POR signal is released and the configuration is finished. The `CONF_DONE`, `nCEO`, and `nSTATUS` pins fail to respond, as the output buffer can not flip from the state set by the hot socketing circuit at this low  $V_{CC}$  voltage. Therefore, the hot socketing circuit has been removed on these configuration pins to make sure that they are able to operate during configuration. It is expected behavior for these pins to drive out during power-up and power-down sequences.

Each I/O pin has the following circuitry shown in [Figure 4-1](#).

**Figure 4–1. Hot Socketing Circuit Block Diagram for Stratix II Devices**

The POR circuit monitors  $V_{CCINT}$  voltage level and keeps I/O pins tri-stated until the device is in user mode. The weak pull-up resistor (R) from the I/O pin to  $V_{CCIO}$  is present to keep the I/O pins from floating. The 3.3-V tolerance control circuit permits the I/O pins to be driven by 3.3 V before  $V_{CCIO}$  and/or  $V_{CCINT}$  and/or  $V_{CCPD}$  are powered, and it prevents the I/O pins from driving out when the device is not in user mode. The hot socket circuit prevents I/O pins from internally powering  $V_{CCIO}$ ,  $V_{CCINT}$ , and  $V_{CCPD}$  when driven by external signals before the device is powered.

Figure 4–2 shows a transistor level cross section of the Stratix II device I/O buffers. This design ensures that the output buffers do not drive when  $V_{CCIO}$  is powered before  $V_{CCINT}$  or if the I/O pad voltage is higher than  $V_{CCIO}$ . This also applies for sudden voltage spikes during hot insertion. There is no current path from signal I/O pins to  $V_{CCINT}$  or  $V_{CCIO}$  or  $V_{CCPD}$  during hot insertion. The  $V_{PAD}$  leakage current charges the 3.3-V tolerant circuit capacitance.



Figure 4–2. Transistor Level Diagram of FPGA Device I/O Buffers



## Notes to Figure 4–2:

- (1) This is the logic array signal or the larger of either the  $V_{CCIO}$  or  $V_{PAD}$  signal.
- (2) This is the larger of either the  $V_{CCIO}$  or  $V_{PAD}$  signal.

## Power-On Reset Circuitry

Stratix II devices have a POR circuit to keep the whole device system in reset state until the power supply voltage levels have stabilized during power-up. The POR circuit monitors the  $V_{CCINT}$ ,  $V_{CCIO}$ , and  $V_{CCPD}$  voltage levels and tri-states all the user I/O pins while  $V_{CC}$  is ramping up until normal user levels are reached. The POR circuitry also ensures that all eight I/O bank  $V_{CCIO}$  voltages,  $V_{CCPD}$  voltage, as well as the logic array  $V_{CCINT}$  voltage, reach an acceptable level before configuration is triggered. After the Stratix II device enters user mode, the POR circuit continues to monitor the  $V_{CCINT}$  voltage level so that a brown-out condition during user mode can be detected. If there is a  $V_{CCINT}$  voltage sag below the Stratix II operational level during user mode, the POR circuit resets the device.

When power is applied to a Stratix II device, a power-on-reset event occurs if  $V_{CC}$  reaches the recommended operating range within a certain period of time (specified as a maximum  $V_{CC}$  rise time). The maximum  $V_{CC}$  rise time for Stratix II device is 100 ms. Stratix II devices provide a dedicated input pin (PORSEL) to select POR delay times of 12 or 100 ms during power-up. When the PORSEL pin is connected to ground, the POR time is 100 ms. When the PORSEL pin is connected to  $V_{CC}$ , the POR time is 12 ms.

## Document Revision History

Table 4-1 shows the revision history for this chapter.

| <b>Date and Document Version</b> | <b>Changes Made</b>   | <b>Summary of Changes</b>   |
|----------------------------------|---|---|
| May 2007, v3.2                   | Moved the Document Revision History section to the end of the chapter.  | —   |
| April 2006, v3.1                 | <ul style="list-style-type: none"> <li>Updated “Signal Pins Do Not Drive the VCCIO, VCCINT or VCCPD Power Supplies” section.</li> </ul>   | <ul style="list-style-type: none"> <li>Updated hot socketing AC specification.</li> </ul> |
| May 2005, v3.0                   | <ul style="list-style-type: none"> <li>Updated “Signal Pins Do Not Drive the VCCIO, VCCINT or VCCPD Power Supplies” section.</li> <li>Removed information on ESD protection.</li> </ul> | —   |
| January 2005, v2.1               | Updated input rise and fall time.   | —   |
| January 2005, v2.0               | Updated the “Hot Socketing Feature Implementation in Stratix II Devices”, “ESD Protection”, and “Power-On Reset Circuitry” sections.  | —   |
| July 2004, v1.1                  | <ul style="list-style-type: none"> <li>Updated all tables.</li> <li>Added tables.</li> </ul>  | —   |
| February 2004, v1.0              | Added document to the Stratix II Device Handbook.   | —   |

## Operating Conditions

Stratix® II devices are offered in both commercial and industrial grades. Industrial devices are offered in -4 speed grades and commercial devices are offered in -3 (fastest), -4, -5 speed grades.

Tables 5–1 through 5–32 provide information about absolute maximum ratings, recommended operating conditions, DC electrical characteristics, and other specifications for Stratix II devices.

### Absolute Maximum Ratings

Table 5–1 contains the absolute maximum ratings for the Stratix II device family.

**Table 5–1. Stratix II Device Absolute Maximum Ratings**    *Notes (1), (2), (3)*

| Symbol             | Parameter                     | Conditions              | Minimum | Maximum | Unit |
|--------------------|-------------------------------|-------------------------|---------|---------|------|
| V <sub>CCINT</sub> | Supply voltage                | With respect to ground  | –0.5    | 1.8     | V    |
| V <sub>CCIO</sub>  | Supply voltage                | With respect to ground  | –0.5    | 4.6     | V    |
| V <sub>CCPD</sub>  | Supply voltage                | With respect to ground  | –0.5    | 4.6     | V    |
| V <sub>CCA</sub>   | Analog power supply for PLLs  | With respect to ground  | –0.5    | 1.8     | V    |
| V <sub>CCD</sub>   | Digital power supply for PLLs | With respect to ground  | –0.5    | 1.8     | V    |
| V <sub>I</sub>     | DC input voltage (4)          |                         | –0.5    | 4.6     | V    |
| I <sub>OUT</sub>   | DC output current, per pin    |                         | –25     | 40      | mA   |
| T <sub>STG</sub>   | Storage temperature           | No bias                 | –65     | 150     | °C   |
| T <sub>J</sub>     | Junction temperature          | BGA packages under bias | –55     | 125     | °C   |

#### Notes to Tables 5–1

- (1) See the *Operating Requirements for Altera Devices Data Sheet*.
- (2) Conditions beyond those listed in Table 5–1 may cause permanent damage to a device. Additionally, device operation at the absolute maximum ratings for extended periods of time may have adverse effects on the device.
- (3) Supply voltage specifications apply to voltage readings taken at the device pins, not at the power supply.
- (4) During transitions, the inputs may overshoot to the voltage shown in Table 5–2 based upon the input duty cycle. The DC case is equivalent to 100% duty cycle. During transitions, the inputs may undershoot to –2.0 V for input currents less than 100 mA and periods shorter than 20 ns.

**Table 5–2. Maximum Duty Cycles in Voltage Transitions**

| Symbol         | Parameter                                  | Condition              | Maximum Duty Cycles | Unit |
|----------------|--|------------------------|---------------------|------|
| V <sub>I</sub> | Maximum duty cycles in voltage transitions | V <sub>I</sub> = 4.0 V | 100                 | %    |
|                |  | V <sub>I</sub> = 4.1 V | 90                  | %    |
|                |  | V <sub>I</sub> = 4.2 V | 50                  | %    |
|                |  | V <sub>I</sub> = 4.3 V | 30                  | %    |
|                |  | V <sub>I</sub> = 4.4 V | 17                  | %    |
|                |  | V <sub>I</sub> = 4.5 V | 10                  | %    |

### Recommended Operating Conditions

Table 5–3 contains the Stratix II device family recommended operating conditions.

**Table 5–3. Stratix II Device Recommended Operating Conditions (Part 1 of 2)** *Note (1)*

| Symbol             | Parameter   | Conditions                          | Minimum         | Maximum           | Unit |
|--------------------|---|-------------------------------------|-----------------|-------------------|------|
| V <sub>CCINT</sub> | Supply voltage for internal logic   | 100 μs ≤ risetime ≤ 100 ms (3)      | 1.15            | 1.25              | V    |
| V <sub>CCIO</sub>  | Supply voltage for input and output buffers, 3.3-V operation                  | 100 μs ≤ risetime ≤ 100 ms (3), (6) | 3.135<br>(3.00) | 3.465<br>(3.60)   | V    |
|                    | Supply voltage for input and output buffers, 2.5-V operation                  | 100 μs ≤ risetime ≤ 100 ms (3)      | 2.375           | 2.625             | V    |
|                    | Supply voltage for input and output buffers, 1.8-V operation                  | 100 μs ≤ risetime ≤ 100 ms (3)      | 1.71            | 1.89              | V    |
|                    | Supply voltage for output buffers, 1.5-V operation                            | 100 μs ≤ risetime ≤ 100 ms (3)      | 1.425           | 1.575             | V    |
|                    | Supply voltage for input and output buffers, 1.2-V operation                  | 100 μs ≤ risetime ≤ 100 ms (3)      | 1.14            | 1.26              | V    |
| V <sub>CCPD</sub>  | Supply voltage for pre-drivers as well as configuration and JTAG I/O buffers. | 100 μs ≤ risetime ≤ 100 ms (4)      | 3.135           | 3.465             | V    |
| V <sub>CCA</sub>   | Analog power supply for PLLs  | 100 μs ≤ risetime ≤ 100 ms (3)      | 1.15            | 1.25              | V    |
| V <sub>CCD</sub>   | Digital power supply for PLLs   | 100 μs ≤ risetime ≤ 100 ms (3)      | 1.15            | 1.25              | V    |
| V <sub>I</sub>     | Input voltage (see Table 5–2)   | (2), (5)                            | –0.5            | 4.0               | V    |
| V <sub>O</sub>     | Output voltage  |                                     | 0               | V <sub>CCIO</sub> | V    |

**Table 5–3. Stratix II Device Recommended Operating Conditions (Part 2 of 2)** *Note (1)*

| Symbol         | Parameter                      | Conditions           | Minimum | Maximum | Unit |
|----------------|--------------------------------|----------------------|---------|---------|------|
| T <sub>J</sub> | Operating junction temperature | For commercial use   | 0       | 85      | °C   |
|                |                                | For industrial use   | –40     | 100     | °C   |
|                |                                | For military use (7) | –55     | 125     | °C   |

**Notes to Table 5–3:**

- (1) Supply voltage specifications apply to voltage readings taken at the device pins, not at the power supply.
- (2) During transitions, the inputs may overshoot to the voltage shown in Table 5–2 based upon the input duty cycle. The DC case is equivalent to 100% duty cycle. During transitions, the inputs may undershoot to –2.0 V for input currents less than 100 mA and periods shorter than 20 ns.
- (3) Maximum V<sub>CC</sub> rise time is 100 ms, and V<sub>CC</sub> must rise monotonically from ground to V<sub>CC</sub>.
- (4) V<sub>CCPD</sub> must ramp-up from 0 V to 3.3 V within 100 μs to 100 ms. If V<sub>CCPD</sub> is not ramped up within this specified time, your Stratix II device does not configure successfully. If your system does not allow for a V<sub>CCPD</sub> ramp-up time of 100 ms or less, you must hold nCONFIG low until all power supplies are reliable.
- (5) All pins, including dedicated inputs, clock, I/O, and JTAG pins, may be driven before V<sub>CCINT</sub>, V<sub>CCPD</sub>, and V<sub>CCIO</sub> are powered.
- (6) V<sub>CCIO</sub> maximum and minimum conditions for PCI and PCI-X are shown in parentheses.
- (7) For more information, refer to the *Stratix II Military Temperature Range Support* technical brief.

## DC Electrical Characteristics

Table 5–4 shows the Stratix II device family DC electrical characteristics.

**Table 5–4. Stratix II Device DC Operating Conditions (Part 1 of 2)** *Note (1)*

| Symbol              | Parameter                                   | Conditions  | Minimum | Typical | Maximum | Unit |    |
|---------------------|---|---|---------|---------|---------|------|----|
| I <sub>I</sub>      | Input pin leakage current                   | V <sub>I</sub> = V <sub>CCIOmax</sub> to 0 V (2)  | –10     |         | 10      | μA   |    |
| I <sub>OZ</sub>     | Tri-stated I/O pin leakage current          | V <sub>O</sub> = V <sub>CCIOmax</sub> to 0 V (2)  | –10     |         | 10      | μA   |    |
| I <sub>CCINT0</sub> | V <sub>CCINT</sub> supply current (standby) | V <sub>I</sub> = ground, no load, no toggling inputs<br>T <sub>J</sub> = 25° C                              | EP2S15  |         | 0.25    | (3)  | A  |
|                     |   |   | EP2S30  |         | 0.30    | (3)  | A  |
|                     |   |   | EP2S60  |         | 0.50    | (3)  | A  |
|                     |   |   | EP2S90  |         | 0.62    | (3)  | A  |
|                     |   |   | EP2S130 |         | 0.82    | (3)  | A  |
|                     |   |   | EP2S180 |         | 1.12    | (3)  | A  |
| I <sub>CCPD0</sub>  | V <sub>CCPD</sub> supply current (standby)  | V <sub>I</sub> = ground, no load, no toggling inputs<br>T <sub>J</sub> = 25° C,<br>V <sub>CCPD</sub> = 3.3V | EP2S15  |         | 2.2     | (3)  | mA |
|                     |   |   | EP2S30  |         | 2.7     | (3)  | mA |
|                     |   |   | EP2S60  |         | 3.6     | (3)  | mA |
|                     |   |   | EP2S90  |         | 4.3     | (3)  | mA |
|                     |   |   | EP2S130 |         | 5.4     | (3)  | mA |
|                     |   |   | EP2S180 |         | 6.8     | (3)  | mA |

| Symbol         | Parameter  | Conditions  | Minimum | Typical | Maximum | Unit       |            |
|----------------|--|---|---------|---------|---------|------------|------------|
| $I_{CCIO}$     | $V_{CCIO}$ supply current (standby)  | $V_I =$ ground, no load, no toggling inputs<br>$T_J = 25^\circ\text{C}$ | EP2S15  |         | 4.0     | (3)        | mA         |
|                |  |   | EP2S30  |         | 4.0     | (3)        | mA         |
|                |  |   | EP2S60  |         | 4.0     | (3)        | mA         |
|                |  |   | EP2S90  |         | 4.0     | (3)        | mA         |
|                |  |   | EP2S130 |         | 4.0     | (3)        | mA         |
|                |  |   | EP2S180 |         | 4.0     | (3)        | mA         |
| $R_{CONF}$ (4) | Value of I/O pin pull-up resistor before and during configuration                        | $V_i = 0; V_{CCIO} = 3.3\text{ V}$                                      | 10      | 25      | 50      | k $\Omega$ |            |
|                |  | $V_i = 0; V_{CCIO} = 2.5\text{ V}$                                      | 15      | 35      | 70      | k $\Omega$ |            |
|                |  | $V_i = 0; V_{CCIO} = 1.8\text{ V}$                                      | 30      | 50      | 100     | k $\Omega$ |            |
|                |  | $V_i = 0; V_{CCIO} = 1.5\text{ V}$                                      | 40      | 75      | 150     | k $\Omega$ |            |
|                |  | $V_i = 0; V_{CCIO} = 1.2\text{ V}$                                      | 50      | 90      | 170     | k $\Omega$ |            |
|                | Recommended value of I/O pin external pull-down resistor before and during configuration |   |         |         | 1       | 2          | k $\Omega$ |

**Notes to Table 5–4:**

- (1) Typical values are for  $T_A = 25^\circ\text{C}$ ,  $V_{CCINT} = 1.2\text{ V}$ , and  $V_{CCIO} = 1.5\text{ V}, 1.8\text{ V}, 2.5\text{ V}$ , and  $3.3\text{ V}$ .
- (2) This value is specified for normal device operation. The value may vary during power-up. This applies for all  $V_{CCIO}$  settings (3.3, 2.5, 1.8, and 1.5 V).
- (3) Maximum values depend on the actual  $T_J$  and design utilization. See the Excel-based PowerPlay Early Power Estimator (available at [www.altera.com](http://www.altera.com)) or the Quartus II PowerPlay Power Analyzer feature for maximum values. See the section “Power Consumption” on page 5–20 for more information.
- (4) Pin pull-up resistance values are lower if an external source drives the pin higher than  $V_{CCIO}$ .

## I/O Standard Specifications

Tables 5–5 through 5–32 show the Stratix II device family I/O standard specifications.

| Symbol         | Parameter                 | Conditions                  | Minimum | Maximum | Unit |
|----------------|---------------------------|-----------------------------|---------|---------|------|
| $V_{CCIO}$ (1) | Output supply voltage     |                             | 3.135   | 3.465   | V    |
| $V_{IH}$       | High-level input voltage  |                             | 1.7     | 4.0     | V    |
| $V_{IL}$       | Low-level input voltage   |                             | –0.3    | 0.8     | V    |
| $V_{OH}$       | High-level output voltage | $I_{OH} = -4\text{ mA}$ (2) | 2.4     |         | V    |

**Table 5–5. LVTTTL Specifications (Part 2 of 2)**

| Symbol   | Parameter                | Conditions                  | Minimum | Maximum | Unit |
|----------|--------------------------|-----------------------------|---------|---------|------|
| $V_{OL}$ | Low-level output voltage | $I_{OL} = 4 \text{ mA}$ (2) |         | 0.45    | V    |

**Notes to Tables 5–5:**

- (1) Stratix II devices comply to the narrow range for the supply voltage as specified in the EIA/JEDEC Standard, JESD8-B.
- (2) This specification is supported across all the programmable drive strength settings available for this I/O standard as shown in the *Stratix II Architecture* chapter in volume 1 of the *Stratix II Device Handbook*.

**Table 5–6. LVCMOS Specifications**

| Symbol         | Parameter                 | Conditions   | Minimum          | Maximum | Unit |
|----------------|---------------------------|--|------------------|---------|------|
| $V_{CCIO}$ (1) | Output supply voltage     |  | 3.135            | 3.465   | V    |
| $V_{IH}$       | High-level input voltage  |  | 1.7              | 4.0     | V    |
| $V_{IL}$       | Low-level input voltage   |  | –0.3             | 0.8     | V    |
| $V_{OH}$       | High-level output voltage | $V_{CCIO} = 3.0$ ,<br>$I_{OH} = -0.1 \text{ mA}$ (2) | $V_{CCIO} - 0.2$ |         | V    |
| $V_{OL}$       | Low-level output voltage  | $V_{CCIO} = 3.0$ ,<br>$I_{OL} = 0.1 \text{ mA}$ (2)  |                  | 0.2     | V    |

**Notes to Table 5–6:**

- (1) Stratix II devices comply to the narrow range for the supply voltage as specified in the EIA/JEDEC Standard, JESD8-B.
- (2) This specification is supported across all the programmable drive strength available for this I/O standard as shown in the *Stratix II Architecture* chapter in volume 1 of the *Stratix II Device Handbook*.

**Table 5–7. 2.5-V I/O Specifications**

| Symbol         | Parameter                 | Conditions                   | Minimum | Maximum | Unit |
|----------------|---------------------------|------------------------------|---------|---------|------|
| $V_{CCIO}$ (1) | Output supply voltage     |                              | 2.375   | 2.625   | V    |
| $V_{IH}$       | High-level input voltage  |                              | 1.7     | 4.0     | V    |
| $V_{IL}$       | Low-level input voltage   |                              | –0.3    | 0.7     | V    |
| $V_{OH}$       | High-level output voltage | $I_{OH} = -1 \text{ mA}$ (2) | 2.0     |         | V    |
| $V_{OL}$       | Low-level output voltage  | $I_{OL} = 1 \text{ mA}$ (2)  |         | 0.4     | V    |

**Notes to Table 5–7:**

- (1) Stratix II devices  $V_{CCIO}$  voltage level support of  $2.5 \pm -5\%$  is narrower than defined in the Normal Range of the EIA/JEDEC standard.
- (2) This specification is supported across all the programmable drive settings available for this I/O standard as shown in the *Stratix II Architecture* chapter in volume 1 of the *Stratix II Device Handbook*.

**Table 5–8. 1.8-V I/O Specifications**

| Symbol         | Parameter                 | Conditions                   | Minimum                | Maximum                | Unit |
|----------------|---------------------------|------------------------------|------------------------|------------------------|------|
| $V_{CCIO}$ (1) | Output supply voltage     |                              | 1.71                   | 1.89                   | V    |
| $V_{IH}$       | High-level input voltage  |                              | $0.65 \times V_{CCIO}$ | 2.25                   | V    |
| $V_{IL}$       | Low-level input voltage   |                              | -0.30                  | $0.35 \times V_{CCIO}$ | V    |
| $V_{OH}$       | High-level output voltage | $I_{OH} = -2 \text{ mA}$ (2) | $V_{CCIO} - 0.45$      |                        | V    |
| $V_{OL}$       | Low-level output voltage  | $I_{OL} = 2 \text{ mA}$ (2)  |                        | 0.45                   | V    |

**Notes to Table 5–8:**

- (1) The Stratix II device family's  $V_{CCIO}$  voltage level support of  $1.8 \pm 5\%$  is narrower than defined in the Normal Range of the EIA/JEDEC standard.
- (2) This specification is supported across all the programmable drive settings available for this I/O standard as shown in the *Stratix II Architecture* chapter in volume 1 of the *Stratix II Device Handbook*.

**Table 5–9. 1.5-V I/O Specifications**

| Symbol         | Parameter                 | Conditions                   | Minimum                | Maximum                | Unit |
|----------------|---------------------------|------------------------------|------------------------|------------------------|------|
| $V_{CCIO}$ (1) | Output supply voltage     |                              | 1.425                  | 1.575                  | V    |
| $V_{IH}$       | High-level input voltage  |                              | $0.65 \times V_{CCIO}$ | $V_{CCIO} + 0.30$      | V    |
| $V_{IL}$       | Low-level input voltage   |                              | -0.30                  | $0.35 \times V_{CCIO}$ | V    |
| $V_{OH}$       | High-level output voltage | $I_{OH} = -2 \text{ mA}$ (2) | $0.75 \times V_{CCIO}$ |                        | V    |
| $V_{OL}$       | Low-level output voltage  | $I_{OL} = 2 \text{ mA}$ (2)  |                        | $0.25 \times V_{CCIO}$ | V    |

**Notes to Table 5–9:**

- (1) The Stratix II device family's  $V_{CCIO}$  voltage level support of  $1.5 \pm 5\%$  is narrower than defined in the Normal Range of the EIA/JEDEC standard.
- (2) This specification is supported across all the programmable drive settings available for this I/O standard as shown in the *Stratix II Architecture* chapter in volume 1 of the *Stratix II Device Handbook*.

Figures 5–1 and 5–2 show receiver input and transmitter output waveforms, respectively, for all differential I/O standards (LVDS, LVPECL, and HyperTransport technology).



**Figure 5–1. Receiver Input Waveforms for Differential I/O Standards**



**Figure 5–2. Transmitter Output Waveforms for Differential I/O Standards**



**Table 5–10. 2.5-V LVDS I/O Specifications**

| Symbol            | Parameter  | Conditions             | Minimum | Typical | Maximum | Unit |
|-------------------|--|------------------------|---------|---------|---------|------|
| V <sub>CCIO</sub> | I/O supply voltage for left and right I/O banks (1, 2, 5, and 6)               |                        | 2.375   | 2.500   | 2.625   | V    |
| V <sub>ID</sub>   | Input differential voltage swing (single-ended)                                |                        | 100     | 350     | 900     | mV   |
| V <sub>ICM</sub>  | Input common mode voltage  |                        | 200     | 1,250   | 1,800   | mV   |
| V <sub>OD</sub>   | Output differential voltage (single-ended)                                     | R <sub>L</sub> = 100 Ω | 250     |         | 450     | mV   |
| V <sub>OCM</sub>  | Output common mode voltage   | R <sub>L</sub> = 100 Ω | 1.125   |         | 1.375   | V    |
| R <sub>L</sub>    | Receiver differential input discrete resistor (external to Stratix II devices) |                        | 90      | 100     | 110     | Ω    |

**Table 5–11. 3.3-V LVDS I/O Specifications**

| Symbol                | Parameter  | Conditions             | Minimum | Typical | Maximum | Unit |
|-----------------------|--|------------------------|---------|---------|---------|------|
| V <sub>CCIO</sub> (1) | I/O supply voltage for top and bottom PLL banks (9, 10, 11, and 12)            |                        | 3.135   | 3.300   | 3.465   | V    |
| V <sub>ID</sub>       | Input differential voltage swing (single-ended)                                |                        | 100     | 350     | 900     | mV   |
| V <sub>ICM</sub>      | Input common mode voltage  |                        | 200     | 1,250   | 1,800   | mV   |
| V <sub>OD</sub>       | Output differential voltage (single-ended)                                     | R <sub>L</sub> = 100 Ω | 250     |         | 710     | mV   |
| V <sub>OCM</sub>      | Output common mode voltage   | R <sub>L</sub> = 100 Ω | 840     |         | 1,570   | mV   |
| R <sub>L</sub>        | Receiver differential input discrete resistor (external to Stratix II devices) |                        | 90      | 100     | 110     | Ω    |

**Note to Table 5–11:**

- (1) The top and bottom clock input differential buffers in I/O banks 3, 4, 7, and 8 are powered by V<sub>CCINT</sub>, not V<sub>CCIO</sub>. The PLL clock output/feedback differential buffers are powered by VCC\_PLL\_OUT. For differential clock output/feedback operation, VCC\_PLL\_OUT should be connected to 3.3 V.

**Table 5–12. LVPECL Specifications**

| Symbol         | Parameter                                       | Conditions         | Minimum | Typical | Maximum | Unit     |
|----------------|---|--------------------|---------|---------|---------|----------|
| $V_{CCIO}$ (1) | I/O supply voltage                              |                    | 3.135   | 3.300   | 3.465   | V        |
| $V_{ID}$       | Input differential voltage swing (single-ended) |                    | 300     | 600     | 1,000   | mV       |
| $V_{ICM}$      | Input common mode voltage                       |                    | 1.0     |         | 2.5     | V        |
| $V_{OD}$       | Output differential voltage (single-ended)      | $R_L = 100 \Omega$ | 525     |         | 970     | mV       |
| $V_{OCM}$      | Output common mode voltage                      | $R_L = 100 \Omega$ | 1,650   |         | 2,250   | mV       |
| $R_L$          | Receiver differential input resistor            |                    | 90      | 100     | 110     | $\Omega$ |

**Note to Table 5–12:**

- (1) The top and bottom clock input differential buffers in I/O banks 3, 4, 7, and 8 are powered by  $V_{CCINT}$ , not  $V_{CCIO}$ . The PLL clock output/feedback differential buffers are powered by  $V_{CC\_PLL\_OUT}$ . For differential clock output/feedback operation,  $V_{CC\_PLL\_OUT}$  should be connected to 3.3 V.

**Table 5–13. HyperTransport Technology Specifications**

| Symbol           | Parameter  | Conditions         | Minimum | Typical | Maximum | Unit     |
|------------------|--|--------------------|---------|---------|---------|----------|
| $V_{CCIO}$       | I/O supply voltage for left and right I/O banks (1, 2, 5, and 6) |                    | 2.375   | 2.500   | 2.625   | V        |
| $V_{ID}$         | Input differential voltage swing (single-ended)                  | $R_L = 100 \Omega$ | 300     | 600     | 900     | mV       |
| $V_{ICM}$        | Input common mode voltage  | $R_L = 100 \Omega$ | 385     | 600     | 845     | mV       |
| $V_{OD}$         | Output differential voltage (single-ended)                       | $R_L = 100 \Omega$ | 400     | 600     | 820     | mV       |
| $\Delta V_{OD}$  | Change in $V_{OD}$ between high and low                          | $R_L = 100 \Omega$ |         |         | 75      | mV       |
| $V_{OCM}$        | Output common mode voltage                                       | $R_L = 100 \Omega$ | 440     | 600     | 780     | mV       |
| $\Delta V_{OCM}$ | Change in $V_{OCM}$ between high and low                         | $R_L = 100 \Omega$ |         |         | 50      | mV       |
| $R_L$            | Receiver differential input resistor                             |                    | 90      | 100     | 110     | $\Omega$ |

**Table 5–14. 3.3-V PCI Specifications (Part 1 of 2)**

| Symbol     | Parameter                | Conditions | Minimum               | Typical | Maximum          | Unit |
|------------|--------------------------|------------|-----------------------|---------|------------------|------|
| $V_{CCIO}$ | Output supply voltage    |            | 3.0                   | 3.3     | 3.6              | V    |
| $V_{IH}$   | High-level input voltage |            | $0.5 \times V_{CCIO}$ |         | $V_{CCIO} + 0.5$ | V    |

**Table 5–14. 3.3-V PCI Specifications (Part 2 of 2)**

| Symbol          | Parameter                 | Conditions                  | Minimum                 | Typical | Maximum                 | Unit |
|-----------------|---------------------------|-----------------------------|-------------------------|---------|-------------------------|------|
| V <sub>IL</sub> | Low-level input voltage   |                             | –0.3                    |         | 0.3 × V <sub>CCIO</sub> | V    |
| V <sub>OH</sub> | High-level output voltage | I <sub>OUT</sub> = –500 μA  | 0.9 × V <sub>CCIO</sub> |         |                         | V    |
| V <sub>OL</sub> | Low-level output voltage  | I <sub>OUT</sub> = 1,500 μA |                         |         | 0.1 × V <sub>CCIO</sub> | V    |

**Table 5–15. PCI-X Mode 1 Specifications**

| Symbol            | Parameter                 | Conditions                  | Minimum                 | Typical | Maximum                  | Unit |
|-------------------|---------------------------|-----------------------------|-------------------------|---------|--------------------------|------|
| V <sub>CCIO</sub> | Output supply voltage     |                             | 3.0                     |         | 3.6                      | V    |
| V <sub>IH</sub>   | High-level input voltage  |                             | 0.5 × V <sub>CCIO</sub> |         | V <sub>CCIO</sub> + 0.5  | V    |
| V <sub>IL</sub>   | Low-level input voltage   |                             | –0.30                   |         | 0.35 × V <sub>CCIO</sub> | V    |
| V <sub>IPU</sub>  | Input pull-up voltage     |                             | 0.7 × V <sub>CCIO</sub> |         |                          | V    |
| V <sub>OH</sub>   | High-level output voltage | I <sub>OUT</sub> = –500 μA  | 0.9 × V <sub>CCIO</sub> |         |                          | V    |
| V <sub>OL</sub>   | Low-level output voltage  | I <sub>OUT</sub> = 1,500 μA |                         |         | 0.1 × V <sub>CCIO</sub>  | V    |

**Table 5–16. SSTL-18 Class I Specifications**

| Symbol               | Parameter                   | Conditions                    | Minimum                  | Typical          | Maximum                  | Unit |
|----------------------|-----------------------------|-------------------------------|--------------------------|------------------|--------------------------|------|
| V <sub>CCIO</sub>    | Output supply voltage       |                               | 1.71                     | 1.80             | 1.89                     | V    |
| V <sub>REF</sub>     | Reference voltage           |                               | 0.855                    | 0.900            | 0.945                    | V    |
| V <sub>TT</sub>      | Termination voltage         |                               | V <sub>REF</sub> – 0.04  | V <sub>REF</sub> | V <sub>REF</sub> + 0.04  | V    |
| V <sub>IH</sub> (DC) | High-level DC input voltage |                               | V <sub>REF</sub> + 0.125 |                  |                          | V    |
| V <sub>IL</sub> (DC) | Low-level DC input voltage  |                               |                          |                  | V <sub>REF</sub> – 0.125 | V    |
| V <sub>IH</sub> (AC) | High-level AC input voltage |                               | V <sub>REF</sub> + 0.25  |                  |                          | V    |
| V <sub>IL</sub> (AC) | Low-level AC input voltage  |                               |                          |                  | V <sub>REF</sub> – 0.25  | V    |
| V <sub>OH</sub>      | High-level output voltage   | I <sub>OH</sub> = –6.7 mA (1) | V <sub>TT</sub> + 0.475  |                  |                          | V    |
| V <sub>OL</sub>      | Low-level output voltage    | I <sub>OL</sub> = 6.7 mA (1)  |                          |                  | V <sub>TT</sub> – 0.475  | V    |

Note to Table 5–16:

- (1) This specification is supported across all the programmable drive settings available for this I/O standard as shown in the *Stratix II Architecture* chapter in volume 1 of the *Stratix II Device Handbook*.

**Table 5–17. SSTL-18 Class II Specifications**

| Symbol        | Parameter                   | Conditions                      | Minimum           | Typical   | Maximum           | Unit |
|---------------|-----------------------------|---------------------------------|-------------------|-----------|-------------------|------|
| $V_{CCIO}$    | Output supply voltage       |                                 | 1.71              | 1.80      | 1.89              | V    |
| $V_{REF}$     | Reference voltage           |                                 | 0.855             | 0.900     | 0.945             | V    |
| $V_{TT}$      | Termination voltage         |                                 | $V_{REF} - 0.04$  | $V_{REF}$ | $V_{REF} + 0.04$  | V    |
| $V_{IH} (DC)$ | High-level DC input voltage |                                 | $V_{REF} + 0.125$ |           |                   | V    |
| $V_{IL} (DC)$ | Low-level DC input voltage  |                                 |                   |           | $V_{REF} - 0.125$ | V    |
| $V_{IH} (AC)$ | High-level AC input voltage |                                 | $V_{REF} + 0.25$  |           |                   | V    |
| $V_{IL} (AC)$ | Low-level AC input voltage  |                                 |                   |           | $V_{REF} - 0.25$  | V    |
| $V_{OH}$      | High-level output voltage   | $I_{OH} = -13.4 \text{ mA}$ (1) | $V_{CCIO} - 0.28$ |           |                   | V    |
| $V_{OL}$      | Low-level output voltage    | $I_{OL} = 13.4 \text{ mA}$ (1)  |                   |           | 0.28              | V    |

**Note to Table 5–17:**

- (1) This specification is supported across all the programmable drive settings available for this I/O standard as shown in the *Stratix II Architecture* chapter in volume 1 of the *Stratix II Device Handbook*.

**Table 5–18. SSTL-18 Class I & II Differential Specifications**

| Symbol           | Parameter                                   | Conditions | Minimum                | Typical               | Maximum                | Unit |
|------------------|---|------------|------------------------|-----------------------|------------------------|------|
| $V_{CCIO}$       | Output supply voltage                       |            | 1.71                   | 1.80                  | 1.89                   | V    |
| $V_{SWING} (DC)$ | DC differential input voltage               |            | 0.25                   |                       |                        | V    |
| $V_X (AC)$       | AC differential input cross point voltage   |            | $(V_{CCIO}/2) - 0.175$ |                       | $(V_{CCIO}/2) + 0.175$ | V    |
| $V_{SWING} (AC)$ | AC differential input voltage               |            | 0.5                    |                       |                        | V    |
| $V_{ISO}$        | Input clock signal offset voltage           |            |                        | $0.5 \times V_{CCIO}$ |                        | V    |
| $\Delta V_{ISO}$ | Input clock signal offset voltage variation |            |                        | $\pm 200$             |                        | mV   |
| $V_{OX} (AC)$    | AC differential cross point voltage         |            | $(V_{CCIO}/2) - 0.125$ |                       | $(V_{CCIO}/2) + 0.125$ | V    |

**Table 5–19. SSTL-2 Class I Specifications**

| Symbol               | Parameter                   | Conditions                    | Minimum                 | Typical          | Maximum                 | Unit |
|----------------------|-----------------------------|-------------------------------|-------------------------|------------------|-------------------------|------|
| V <sub>CCIO</sub>    | Output supply voltage       |                               | 2.375                   | 2.500            | 2.625                   | V    |
| V <sub>TT</sub>      | Termination voltage         |                               | V <sub>REF</sub> – 0.04 | V <sub>REF</sub> | V <sub>REF</sub> + 0.04 | V    |
| V <sub>REF</sub>     | Reference voltage           |                               | 1.188                   | 1.250            | 1.313                   | V    |
| V <sub>IH</sub> (DC) | High-level DC input voltage |                               | V <sub>REF</sub> + 0.18 |                  | 3.00                    | V    |
| V <sub>IL</sub> (DC) | Low-level DC input voltage  |                               | –0.30                   |                  | V <sub>REF</sub> – 0.18 | V    |
| V <sub>IH</sub> (AC) | High-level AC input voltage |                               | V <sub>REF</sub> + 0.35 |                  |                         | V    |
| V <sub>IL</sub> (AC) | Low-level AC input voltage  |                               |                         |                  | V <sub>REF</sub> – 0.35 | V    |
| V <sub>OH</sub>      | High-level output voltage   | I <sub>OH</sub> = –8.1 mA (1) | V <sub>TT</sub> + 0.57  |                  |                         | V    |
| V <sub>OL</sub>      | Low-level output voltage    | I <sub>OL</sub> = 8.1 mA (1)  |                         |                  | V <sub>TT</sub> – 0.57  | V    |

**Note to Table 5–19:**

- (1) This specification is supported across all the programmable drive settings available for this I/O standard as shown in the *Stratix II Architecture* chapter in volume 1 of the *Stratix II Device Handbook*.

**Table 5–20. SSTL-2 Class II Specifications**

| Symbol               | Parameter                   | Conditions                     | Minimum                 | Typical          | Maximum                  | Unit |
|----------------------|-----------------------------|--------------------------------|-------------------------|------------------|--------------------------|------|
| V <sub>CCIO</sub>    | Output supply voltage       |                                | 2.375                   | 2.500            | 2.625                    | V    |
| V <sub>TT</sub>      | Termination voltage         |                                | V <sub>REF</sub> – 0.04 | V <sub>REF</sub> | V <sub>REF</sub> + 0.04  | V    |
| V <sub>REF</sub>     | Reference voltage           |                                | 1.188                   | 1.250            | 1.313                    | V    |
| V <sub>IH</sub> (DC) | High-level DC input voltage |                                | V <sub>REF</sub> + 0.18 |                  | V <sub>CCIO</sub> + 0.30 | V    |
| V <sub>IL</sub> (DC) | Low-level DC input voltage  |                                | –0.30                   |                  | V <sub>REF</sub> – 0.18  | V    |
| V <sub>IH</sub> (AC) | High-level AC input voltage |                                | V <sub>REF</sub> + 0.35 |                  |                          | V    |
| V <sub>IL</sub> (AC) | Low-level AC input voltage  |                                |                         |                  | V <sub>REF</sub> – 0.35  | V    |
| V <sub>OH</sub>      | High-level output voltage   | I <sub>OH</sub> = –16.4 mA (1) | V <sub>TT</sub> + 0.76  |                  |                          | V    |
| V <sub>OL</sub>      | Low-level output voltage    | I <sub>OL</sub> = 16.4 mA (1)  |                         |                  | V <sub>TT</sub> – 0.76   | V    |

**Note to Table 5–20:**

- (1) This specification is supported across all the programmable drive settings available for this I/O standard as shown in the *Stratix II Architecture* chapter in volume 1 of the *Stratix II Device Handbook*.

**Table 5–21. SSTL-2 Class I & II Differential Specifications**

| Symbol           | Parameter                                   | Conditions | Minimum              | Typical               | Maximum              | Unit |
|------------------|---|------------|----------------------|-----------------------|----------------------|------|
| $V_{CCIO}$       | Output supply voltage                       |            | 2.375                | 2.500                 | 2.625                | V    |
| $V_{SWING}$ (DC) | DC differential input voltage               |            | 0.36                 |                       |                      | V    |
| $V_X$ (AC)       | AC differential input cross point voltage   |            | $(V_{CCIO}/2) - 0.2$ |                       | $(V_{CCIO}/2) + 0.2$ | V    |
| $V_{SWING}$ (AC) | AC differential input voltage               |            | 0.7                  |                       |                      | V    |
| $V_{ISO}$        | Input clock signal offset voltage           |            |                      | $0.5 \times V_{CCIO}$ |                      | V    |
| $\Delta V_{ISO}$ | Input clock signal offset voltage variation |            |                      | $\pm 200$             |                      | mV   |
| $V_{OX}$ (AC)    | AC differential output cross point voltage  |            | $(V_{CCIO}/2) - 0.2$ |                       | $(V_{CCIO}/2) + 0.2$ | V    |

**Table 5–22. 1.2-V HSTL Specifications**

| Symbol        | Parameter                   | Conditions               | Minimum                | Typical                | Maximum                | Unit |
|---------------|-----------------------------|--------------------------|------------------------|------------------------|------------------------|------|
| $V_{CCIO}$    | Output supply voltage       |                          | 1.14                   | 1.20                   | 1.26                   | V    |
| $V_{REF}$     | Reference voltage           |                          | $0.48 \times V_{CCIO}$ | $0.50 \times V_{CCIO}$ | $0.52 \times V_{CCIO}$ | V    |
| $V_{IH}$ (DC) | High-level DC input voltage |                          | $V_{REF} + 0.08$       |                        | $V_{CCIO} + 0.15$      | V    |
| $V_{IL}$ (DC) | Low-level DC input voltage  |                          | -0.15                  |                        | $V_{REF} - 0.08$       | V    |
| $V_{IH}$ (AC) | High-level AC input voltage |                          | $V_{REF} + 0.15$       |                        | $V_{CCIO} + 0.24$      | V    |
| $V_{IL}$ (AC) | Low-level AC input voltage  |                          | -0.24                  |                        | $V_{REF} - 0.15$       | V    |
| $V_{OH}$      | High-level output voltage   | $I_{OH} = 8 \text{ mA}$  | $V_{REF} + 0.15$       |                        | $V_{CCIO} + 0.15$      | V    |
| $V_{OL}$      | Low-level output voltage    | $I_{OH} = -8 \text{ mA}$ | -0.15                  |                        | $V_{REF} - 0.15$       | V    |

**Table 5–23. 1.5-V HSTL Class I Specifications**

| Symbol               | Parameter                   | Conditions                  | Minimum                 | Typical | Maximum                | Unit |
|----------------------|-----------------------------|-----------------------------|-------------------------|---------|------------------------|------|
| V <sub>CCIO</sub>    | Output supply voltage       |                             | 1.425                   | 1.500   | 1.575                  | V    |
| V <sub>REF</sub>     | Input reference voltage     |                             | 0.713                   | 0.750   | 0.788                  | V    |
| V <sub>TT</sub>      | Termination voltage         |                             | 0.713                   | 0.750   | 0.788                  | V    |
| V <sub>IH</sub> (DC) | DC high-level input voltage |                             | V <sub>REF</sub> + 0.1  |         |                        | V    |
| V <sub>IL</sub> (DC) | DC low-level input voltage  |                             | –0.3                    |         | V <sub>REF</sub> – 0.1 | V    |
| V <sub>IH</sub> (AC) | AC high-level input voltage |                             | V <sub>REF</sub> + 0.2  |         |                        | V    |
| V <sub>IL</sub> (AC) | AC low-level input voltage  |                             |                         |         | V <sub>REF</sub> – 0.2 | V    |
| V <sub>OH</sub>      | High-level output voltage   | I <sub>OH</sub> = 8 mA (1)  | V <sub>CCIO</sub> – 0.4 |         |                        | V    |
| V <sub>OL</sub>      | Low-level output voltage    | I <sub>OH</sub> = –8 mA (1) |                         |         | 0.4                    | V    |

**Note to Table 5–23:**

- (1) This specification is supported across all the programmable drive settings available for this I/O standard as shown in the *Stratix II Architecture* chapter in volume 1 of the *Stratix II Device Handbook*.

**Table 5–24. 1.5-V HSTL Class II Specifications**

| Symbol               | Parameter                   | Conditions                   | Minimum                 | Typical | Maximum                | Unit |
|----------------------|-----------------------------|------------------------------|-------------------------|---------|------------------------|------|
| V <sub>CCIO</sub>    | Output supply voltage       |                              | 1.425                   | 1.500   | 1.575                  | V    |
| V <sub>REF</sub>     | Input reference voltage     |                              | 0.713                   | 0.750   | 0.788                  | V    |
| V <sub>TT</sub>      | Termination voltage         |                              | 0.713                   | 0.750   | 0.788                  | V    |
| V <sub>IH</sub> (DC) | DC high-level input voltage |                              | V <sub>REF</sub> + 0.1  |         |                        | V    |
| V <sub>IL</sub> (DC) | DC low-level input voltage  |                              | –0.3                    |         | V <sub>REF</sub> – 0.1 | V    |
| V <sub>IH</sub> (AC) | AC high-level input voltage |                              | V <sub>REF</sub> + 0.2  |         |                        | V    |
| V <sub>IL</sub> (AC) | AC low-level input voltage  |                              |                         |         | V <sub>REF</sub> – 0.2 | V    |
| V <sub>OH</sub>      | High-level output voltage   | I <sub>OH</sub> = 16 mA (1)  | V <sub>CCIO</sub> – 0.4 |         |                        | V    |
| V <sub>OL</sub>      | Low-level output voltage    | I <sub>OH</sub> = –16 mA (1) |                         |         | 0.4                    | V    |

**Note to Table 5–24:**

- (1) This specification is supported across all the programmable drive settings available for this I/O standard as shown in the *Stratix II Architecture* chapter in volume 1 of the *Stratix II Device Handbook*.



**Table 5–25. 1.5-V HSTL Class I & II Differential Specifications**

| Symbol         | Parameter                           | Conditions | Minimum | Typical | Maximum | Unit |
|----------------|-------------------------------------|------------|---------|---------|---------|------|
| $V_{CCIO}$     | I/O supply voltage                  |            | 1.425   | 1.500   | 1.575   | V    |
| $V_{DIF}$ (DC) | DC input differential voltage       |            | 0.2     |         |         | V    |
| $V_{CM}$ (DC)  | DC common mode input voltage        |            | 0.68    |         | 0.90    | V    |
| $V_{DIF}$ (AC) | AC differential input voltage       |            | 0.4     |         |         | V    |
| $V_{OX}$ (AC)  | AC differential cross point voltage |            | 0.68    |         | 0.90    | V    |

**Table 5–26. 1.8-V HSTL Class I Specifications**

| Symbol        | Parameter                   | Conditions                   | Minimum          | Typical | Maximum         | Unit |
|---------------|-----------------------------|------------------------------|------------------|---------|-----------------|------|
| $V_{CCIO}$    | Output supply voltage       |                              | 1.71             | 1.80    | 1.89            | V    |
| $V_{REF}$     | Input reference voltage     |                              | 0.85             | 0.90    | 0.95            | V    |
| $V_{TT}$      | Termination voltage         |                              | 0.85             | 0.90    | 0.95            | V    |
| $V_{IH}$ (DC) | DC high-level input voltage |                              | $V_{REF} + 0.1$  |         |                 | V    |
| $V_{IL}$ (DC) | DC low-level input voltage  |                              | -0.3             |         | $V_{REF} - 0.1$ | V    |
| $V_{IH}$ (AC) | AC high-level input voltage |                              | $V_{REF} + 0.2$  |         |                 | V    |
| $V_{IL}$ (AC) | AC low-level input voltage  |                              |                  |         | $V_{REF} - 0.2$ | V    |
| $V_{OH}$      | High-level output voltage   | $I_{OH} = 8 \text{ mA}$ (1)  | $V_{CCIO} - 0.4$ |         |                 | V    |
| $V_{OL}$      | Low-level output voltage    | $I_{OH} = -8 \text{ mA}$ (1) |                  |         | 0.4             | V    |

**Note to Table 5–26:**

- (1) This specification is supported across all the programmable drive settings available for this I/O standard as shown in the *Stratix II Architecture* chapter in volume 1 of the *Stratix II Device Handbook*.

**Table 5–27. 1.8-V HSTL Class II Specifications**

| Symbol        | Parameter                   | Conditions                    | Minimum          | Typical | Maximum         | Unit |
|---------------|-----------------------------|-------------------------------|------------------|---------|-----------------|------|
| $V_{CCIO}$    | Output supply voltage       |                               | 1.71             | 1.80    | 1.89            | V    |
| $V_{REF}$     | Input reference voltage     |                               | 0.85             | 0.90    | 0.95            | V    |
| $V_{TT}$      | Termination voltage         |                               | 0.85             | 0.90    | 0.95            | V    |
| $V_{IH}$ (DC) | DC high-level input voltage |                               | $V_{REF} + 0.1$  |         |                 | V    |
| $V_{IL}$ (DC) | DC low-level input voltage  |                               | -0.3             |         | $V_{REF} - 0.1$ | V    |
| $V_{IH}$ (AC) | AC high-level input voltage |                               | $V_{REF} + 0.2$  |         |                 | V    |
| $V_{IL}$ (AC) | AC low-level input voltage  |                               |                  |         | $V_{REF} - 0.2$ | V    |
| $V_{OH}$      | High-level output voltage   | $I_{OH} = 16 \text{ mA}$ (1)  | $V_{CCIO} - 0.4$ |         |                 | V    |
| $V_{OL}$      | Low-level output voltage    | $I_{OH} = -16 \text{ mA}$ (1) |                  |         | 0.4             | V    |

**Note to Table 5–27:**

- (1) This specification is supported across all the programmable drive settings available for this I/O standard as shown in the *Stratix II Architecture* chapter in volume 1 of the *Stratix II Device Handbook*.

**Table 5–28. 1.8-V HSTL Class I & II Differential Specifications**

| Symbol         | Parameter                           | Conditions | Minimum | Typical | Maximum                    | Unit |
|----------------|-------------------------------------|------------|---------|---------|----------------------------|------|
| $V_{CCIO}$     | I/O supply voltage                  |            | 1.71    | 1.80    | 1.89                       | V    |
| $V_{DIF}$ (DC) | DC input differential voltage       |            | 0.2     |         | $V_{CCIO} + 0.6 \text{ V}$ | V    |
| $V_{CM}$ (DC)  | DC common mode input voltage        |            | 0.78    |         | 1.12                       | V    |
| $V_{DIF}$ (AC) | AC differential input voltage       |            | 0.4     |         | $V_{CCIO} + 0.6 \text{ V}$ | V    |
| $V_{OX}$ (AC)  | AC differential cross point voltage |            | 0.68    |         | 0.90                       | V    |

## Bus Hold Specifications

Table 5–29 shows the Stratix II device family bus hold specifications.

**Table 5–29. Bus Hold Parameters**

| Parameter               | Conditions                       | $V_{CCIO}$ Level |      |       |      |       |      |       |      |       |      | Unit          |
|-------------------------|----------------------------------|------------------|------|-------|------|-------|------|-------|------|-------|------|---------------|
|                         |                                  | 1.2 V            |      | 1.5 V |      | 1.8 V |      | 2.5 V |      | 3.3 V |      |               |
|                         |                                  | Min              | Max  | Min   | Max  | Min   | Max  | Min   | Max  | Min   | Max  |               |
| Low sustaining current  | $V_{IN} > V_{IL}$<br>(maximum)   | 22.5             |      | 25.0  |      | 30.0  |      | 50.0  |      | 70.0  |      | $\mu\text{A}$ |
| High sustaining current | $V_{IN} < V_{IH}$<br>(minimum)   | -22.5            |      | -25.0 |      | -30.0 |      | -50.0 |      | -70.0 |      | $\mu\text{A}$ |
| Low overdrive current   | $0\text{ V} < V_{IN} < V_{CCIO}$ |                  | 120  |       | 160  |       | 200  |       | 300  |       | 500  | $\mu\text{A}$ |
| High overdrive current  | $0\text{ V} < V_{IN} < V_{CCIO}$ |                  | -120 |       | -160 |       | -200 |       | -300 |       | -500 | $\mu\text{A}$ |
| Bus-hold trip point     |                                  | 0.45             | 0.95 | 0.50  | 1.00 | 0.68  | 1.07 | 0.70  | 1.70 | 0.80  | 2.00 | V             |

## On-Chip Termination Specifications

Tables 5–30 and 5–31 define the specification for internal termination resistance tolerance when using series or differential on-chip termination.

**Table 5–30. Series On-Chip Termination Specification for Top & Bottom I/O Banks (Part 1 of 2)**  
Notes (1), 2

| Symbol                        | Description  | Conditions                    | Resistance Tolerance |                |      |
|-------------------------------|--|-------------------------------|----------------------|----------------|------|
|                               |  |                               | Commercial Max       | Industrial Max | Unit |
| 25- $\Omega$ $R_S$<br>3.3/2.5 | Internal series termination with calibration (25- $\Omega$ setting)    | $V_{CCIO} = 3.3/2.5\text{ V}$ | $\pm 5$              | $\pm 10$       | %    |
|                               | Internal series termination without calibration (25- $\Omega$ setting) | $V_{CCIO} = 3.3/2.5\text{ V}$ | $\pm 30$             | $\pm 30$       | %    |

**Table 5–30. Series On-Chip Termination Specification for Top & Bottom I/O Banks (Part 2 of 2)**  
*Notes (1), 2*

| Symbol                         | Description  | Conditions                    | Resistance Tolerance |                |      |
|--------------------------------|--|-------------------------------|----------------------|----------------|------|
|                                |  |                               | Commercial Max       | Industrial Max | Unit |
| 50-Ω R <sub>S</sub><br>3.3/2.5 | Internal series termination with calibration (50-Ω setting)    | V <sub>CCIO</sub> = 3.3/2.5 V | ±5                   | ±10            | %    |
|                                | Internal series termination without calibration (50-Ω setting) | V <sub>CCIO</sub> = 3.3/2.5 V | ±30                  | ±30            | %    |
| 50-Ω R <sub>T</sub><br>2.5     | Internal parallel termination with calibration (50-Ω setting)  | V <sub>CCIO</sub> = 1.8 V     | ±30                  | ±30            | %    |
| 25-Ω R <sub>S</sub><br>1.8     | Internal series termination with calibration (25-Ω setting)    | V <sub>CCIO</sub> = 1.8 V     | ±5                   | ±10            | %    |
|                                | Internal series termination without calibration (25-Ω setting) | V <sub>CCIO</sub> = 1.8 V     | ±30                  | ±30            | %    |
| 50-Ω R <sub>S</sub><br>1.8     | Internal series termination with calibration (50-Ω setting)    | V <sub>CCIO</sub> = 1.8 V     | ±5                   | ±10            | %    |
|                                | Internal series termination without calibration (50-Ω setting) | V <sub>CCIO</sub> = 1.8 V     | ±30                  | ±30            | %    |
| 50-Ω R <sub>T</sub><br>1.8     | Internal parallel termination with calibration (50-Ω setting)  | V <sub>CCIO</sub> = 1.8 V     | ±10                  | ±15            | %    |
| 50-Ω R <sub>S</sub><br>1.5     | Internal series termination with calibration (50-Ω setting)    | V <sub>CCIO</sub> = 1.5 V     | ±8                   | ±10            | %    |
|                                | Internal series termination without calibration (50-Ω setting) | V <sub>CCIO</sub> = 1.5 V     | ±36                  | ±36            | %    |
| 50-Ω R <sub>T</sub><br>1.5     | Internal parallel termination with calibration (50-Ω setting)  | V <sub>CCIO</sub> = 1.5 V     | ±10                  | ±15            | %    |
| 50-Ω R <sub>S</sub><br>1.2     | Internal series termination with calibration (50-Ω setting)    | V <sub>CCIO</sub> = 1.2 V     | ±8                   | ±10            | %    |
|                                | Internal series termination without calibration (50-Ω setting) | V <sub>CCIO</sub> = 1.2 V     | ±50                  | ±50            | %    |
| 50-Ω R <sub>T</sub><br>1.2     | Internal parallel termination with calibration (50-Ω setting)  | V <sub>CCIO</sub> = 1.2 V     | ±10                  | ±15            | %    |

**Notes for Table 5–30:**

- (1) The resistance tolerances for calibrated SOCT and POCT are for the moment of calibration. If the temperature or voltage changes over time, the tolerance may also change.
- (2) On-chip parallel termination with calibration is only supported for input pins.

**Table 5–31. Series & Differential On-Chip Termination Specification for Left & Right I/O Banks**

| Symbol                             | Description   | Conditions                        | Resistance Tolerance |                |      |
|------------------------------------|---|-----------------------------------|----------------------|----------------|------|
|                                    |   |                                   | Commercial Max       | Industrial Max | Unit |
| 25-Ω R <sub>S</sub><br>3.3/2.5     | Internal series termination without calibration (25-Ω setting)                          | V <sub>CCIO</sub> = 3.3/2.5 V     | ±30                  | ±30            | %    |
| 50-Ω R <sub>S</sub><br>3.3/2.5/1.8 | Internal series termination without calibration (50-Ω setting)                          | V <sub>CCIO</sub> = 3.3/2.5/1.8 V | ±30                  | ±30            | %    |
| 50-Ω R <sub>S</sub> 1.5            | Internal series termination without calibration (50-Ω setting)                          | V <sub>CCIO</sub> = 1.5 V         | ±36                  | ±36            | %    |
| R <sub>D</sub>                     | Internal differential termination for LVDS or HyperTransport technology (100-Ω setting) | V <sub>CCIO</sub> = 2.5 V         | ±20                  | ±25            | %    |

## Pin Capacitance

Table 5–32 shows the Stratix II device family pin capacitance.

**Table 5–32. Stratix II Device Capacitance** Note (1)

| Symbol              | Parameter   | Typical | Unit |
|---------------------|---|---------|------|
| C <sub>IOTB</sub>   | Input capacitance on I/O pins in I/O banks 3, 4, 7, and 8.  | 5.0     | pF   |
| C <sub>IOLR</sub>   | Input capacitance on I/O pins in I/O banks 1, 2, 5, and 6, including high-speed differential receiver and transmitter pins. | 6.1     | pF   |
| C <sub>CLKTB</sub>  | Input capacitance on top/bottom clock input pins: CLK [4 . . 7] and CLK [12 . . 15].  | 6.0     | pF   |
| C <sub>CLKLR</sub>  | Input capacitance on left/right clock inputs: CLK0, CLK2, CLK8, CLK10.  | 6.1     | pF   |
| C <sub>CLKLR+</sub> | Input capacitance on left/right clock inputs: CLK1, CLK3, CLK9, and CLK11.  | 3.3     | pF   |
| C <sub>OUTFB</sub>  | Input capacitance on dual-purpose clock output/feedback pins in PLL banks 9, 10, 11, and 12.                                | 6.7     | pF   |

### Note to Table 5–32:

- (1) Capacitance is sample-tested only. Capacitance is measured using time-domain reflections (TDR). Measurement accuracy is within ±0.5pF

## Power Consumption

Altera® offers two ways to calculate power for a design: the Excel-based PowerPlay Early Power Estimator power calculator and the Quartus® II PowerPlay Power Analyzer feature.

The interactive Excel-based PowerPlay Early Power Estimator is typically used prior to designing the FPGA in order to get an estimate of device power. The Quartus II PowerPlay Power Analyzer provides better quality estimates based on the specifics of the design after place-and-route is complete. The Power Analyzer can apply a combination of user-entered, simulation-derived and estimated signal activities which, combined with detailed circuit models, can yield very accurate power estimates.

In both cases, these calculations should only be used as an estimation of power, not as a specification.



For more information about PowerPlay tools, refer to the *PowerPlay Early Power Estimator User Guide* and the *PowerPlay Early Power Estimator* and *PowerPlay Power Analyzer* chapters in volume 3 of the *Quartus II Handbook*.

The PowerPlay Early Power Estimator is available on the Altera web site at [www.altera.com](http://www.altera.com). See [Table 5-4 on page 5-3](#) for typical  $I_{CC}$  standby specifications.

## Timing Model

The DirectDrive™ technology and MultiTrack™ interconnect ensure predictable performance, accurate simulation, and accurate timing analysis across all Stratix II device densities and speed grades. This section describes and specifies the performance, internal timing, external timing, and PLL, high-speed I/O, external memory interface, and JTAG timing specifications.

All specifications are representative of worst-case supply voltage and junction temperature conditions.



The timing numbers listed in the tables of this section are extracted from the Quartus II software version 5.0 SP1.

### Preliminary & Final Timing

Timing models can have either preliminary or final status. The Quartus II software issues an informational message during the design compilation if the timing models are preliminary. [Table 5-33](#) shows the status of the Stratix II device timing models.

Preliminary status means the timing model is subject to change. Initially, timing numbers are created using simulation results, process data, and other known parameters. These tests are used to make the preliminary numbers as close to the actual timing parameters as possible.

Final timing numbers are based on actual device operation and testing. These numbers reflect the actual performance of the device under worst-case voltage and junction temperature conditions.

**Table 5–33. Stratix II Device Timing Model Status**

| Device  | Preliminary | Final |
|---------|-------------|-------|
| EP2S15  |             | ✓     |
| EP2S30  |             | ✓     |
| EP2S60  |             | ✓     |
| EP2S90  |             | ✓     |
| EP2S130 |             | ✓     |
| EP2S180 |             | ✓     |

## I/O Timing Measurement Methodology

Altera characterizes timing delays at the worst-case process, minimum voltage, and maximum temperature for input register setup time ( $t_{SU}$ ) and hold time ( $t_H$ ). The Quartus II software uses the following equations to calculate  $t_{SU}$  and  $t_H$  timing for Stratix II devices input signals.

$$t_{SU} = + \text{data delay from input pin to input register} \\ + \text{micro setup time of the input register} \\ - \text{clock delay from input pin to input register}$$

$$t_H = - \text{data delay from input pin to input register} \\ + \text{micro hold time of the input register} \\ + \text{clock delay from input pin to input register}$$

Figure 5–3 shows the setup and hold timing diagram for input registers.

**Figure 5–3. Input Register Setup & Hold Timing Diagram**

For output timing, different I/O standards require different baseline loading techniques for reporting timing delays. Altera characterizes timing delays with the required termination for each I/O standard and with 0 pF (except for PCI and PCI-X which use 10 pF) loading and the timing is specified up to the output pin of the FPGA device. The Quartus II software calculates the I/O timing for each I/O standard with a default baseline loading as specified by the I/O standards.

The following measurements are made during device characterization. Altera measures clock-to-output delays ( $t_{CO}$ ) at worst-case process, minimum voltage, and maximum temperature (PVT) for default loading conditions shown in Table 5–34. Use the following equations to calculate clock pin to output pin timing for Stratix II devices.

$$t_{CO} \text{ from clock pin to I/O pin} = \text{delay from clock pad to I/O output register} + \text{IOE output register clock-to-output delay} + \text{delay from output register to output pin} + \text{I/O output delay}$$

$$t_{xz}/t_{zx} \text{ from clock pin to I/O pin} = \text{delay from clock pad to I/O output register} + \text{IOE output register clock-to-output delay} + \text{delay from output register to output pin} + \text{I/O output delay} + \text{output enable pin delay}$$

Simulation using IBIS models is required to determine the delays on the PCB traces in addition to the output pin delay timing reported by the Quartus II software and the timing model in the device handbook.

1. Simulate the output driver of choice into the generalized test setup, using values from Table 5–34.
2. Record the time to  $V_{MEAS}$ .
3. Simulate the output driver of choice into the actual PCB trace and load, using the appropriate IBIS model or capacitance value to represent the load.



4. Record the time to  $V_{MEAS}$ .
5. Compare the results of steps 2 and 4. The increase or decrease in delay should be added to or subtracted from the I/O Standard Output Adder delays to yield the actual worst-case propagation delay (clock-to-output) of the PCB trace.

The Quartus II software reports the timing with the conditions shown in [Table 5–34](#) using the above equation. [Figure 5–4](#) shows the model of the circuit that is represented by the output timing of the Quartus II software.

**Figure 5–4. Output Delay Timing Reporting Setup Modeled by Quartus II**



**Notes to [Figure 5–4](#):**

- (1) Output pin timing is reported at the output pin of the FPGA device. Additional delays for loading and board trace delay need to be accounted for with IBIS model simulations.
- (2)  $V_{CCPD}$  is 3.085 V unless otherwise specified.
- (3)  $V_{CCINT}$  is 1.12 V unless otherwise specified.

[Figures 5–5](#) and [5–6](#) show the measurement setup for output disable and output enable timing.

| I/O Standard                     | Loading and Termination |                    |                    |                |              |            | Measurement Point |
|----------------------------------|-------------------------|--------------------|--------------------|----------------|--------------|------------|-------------------|
|                                  | $R_S$ ( $\Omega$ )      | $R_D$ ( $\Omega$ ) | $R_T$ ( $\Omega$ ) | $V_{CCIO}$ (V) | $V_{TT}$ (V) | $C_L$ (pF) | $V_{MEAS}$ (V)    |
| LVTTL (4)                        |                         |                    |                    | 3.135          |              | 0          | 1.5675            |
| LVCMOS (4)                       |                         |                    |                    | 3.135          |              | 0          | 1.5675            |
| 2.5 V (4)                        |                         |                    |                    | 2.375          |              | 0          | 1.1875            |
| 1.8 V (4)                        |                         |                    |                    | 1.710          |              | 0          | 0.855             |
| 1.5 V (4)                        |                         |                    |                    | 1.425          |              | 0          | 0.7125            |
| PCI (5)                          |                         |                    |                    | 2.970          |              | 10         | 1.485             |
| PCI-X (5)                        |                         |                    |                    | 2.970          |              | 10         | 1.485             |
| SSTL-2 Class I                   | 25                      |                    | 50                 | 2.325          | 1.123        | 0          | 1.1625            |
| SSTL-2 Class II                  | 25                      |                    | 25                 | 2.325          | 1.123        | 0          | 1.1625            |
| SSTL-18 Class I                  | 25                      |                    | 50                 | 1.660          | 0.790        | 0          | 0.83              |
| SSTL-18 Class II                 | 25                      |                    | 25                 | 1.660          | 0.790        | 0          | 0.83              |
| 1.8-V HSTL Class I               | 50                      |                    | 50                 | 1.660          | 0.790        | 0          | 0.83              |
| 1.8-V HSTL Class II              | 25                      |                    | 25                 | 1.660          | 0.790        | 0          | 0.83              |
| 1.5-V HSTL Class I               | 50                      |                    | 50                 | 1.375          | 0.648        | 0          | 0.6875            |
| 1.5-V HSTL Class II              |                         |                    | 25                 | 1.375          | 0.648        | 0          | 0.6875            |
| 1.2-V HSTL with OCT              | 50                      |                    |                    | 1.140          |              | 0          | 0.570             |
| Differential SSTL-2 Class I      | 50                      |                    | 50                 | 2.325          | 1.123        | 0          | 1.1625            |
| Differential SSTL-2 Class II     | 25                      |                    | 25                 | 2.325          | 1.123        | 0          | 1.1625            |
| Differential SSTL-18 Class I     | 50                      |                    | 50                 | 1.660          | 0.790        | 0          | 0.83              |
| Differential SSTL-18 Class II    | 25                      |                    | 25                 | 1.660          | 0.790        | 0          | 0.83              |
| 1.5-V Differential HSTL Class I  | 50                      |                    | 50                 | 1.375          | 0.648        | 0          | 0.6875            |
| 1.5-V Differential HSTL Class II |                         |                    | 25                 | 1.375          | 0.648        | 0          | 0.6875            |
| 1.8-V Differential HSTL Class I  | 50                      |                    | 50                 | 1.660          | 0.790        | 0          | 0.83              |
| 1.8-V Differential HSTL Class II | 25                      |                    | 25                 | 1.660          | 0.790        | 0          | 0.83              |
| LVDS                             |                         | 100                |                    | 2.325          |              | 0          | 1.1625            |
| HyperTransport                   |                         | 100                |                    | 2.325          |              | 0          | 1.1625            |
| LVPECL                           |                         | 100                |                    | 3.135          |              | 0          | 1.5675            |

**Notes to Table 5–34:**

- (1) Input measurement point at internal node is  $0.5 \times V_{CCINT}$ .
- (2) Output measuring point for  $V_{MEAS}$  at buffer output is  $0.5 \times V_{CCIO}$ .
- (3) Input stimulus edge rate is 0 to  $V_{CC}$  in 0.2 ns (internal signal) from the driver preceding the I/O buffer.
- (4) Less than 50-mV ripple on  $V_{CCIO}$  and  $V_{CCPD}$ ,  $V_{CCINT} = 1.15$  V with less than 30-mV ripple
- (5)  $V_{CCPD} = 2.97$  V, less than 50-mV ripple on  $V_{CCIO}$  and  $V_{CCPD}$ ,  $V_{CCINT} = 1.15$  V

**Figure 5–5. Measurement Setup for  $t_{xz}$**  Note (1)**Note to Figure 5–5:**(1)  $V_{CCIINT}$  is 1.12 V for this measurement.

**Figure 5–6. Measurement Setup for  $t_{zx}$**



Table 5–35 specifies the input timing measurement setup.

| I/O Standard       | Measurement Conditions |               |                | Measurement Point |
|--------------------|------------------------|---------------|----------------|-------------------|
|                    | $V_{CCIO}$ (V)         | $V_{REF}$ (V) | Edge Rate (ns) | $V_{MEAS}$ (V)    |
| LVTTTL (5)         | 3.135                  |               | 3.135          | 1.5675            |
| LVC MOS (5)        | 3.135                  |               | 3.135          | 1.5675            |
| 2.5 V (5)          | 2.375                  |               | 2.375          | 1.1875            |
| 1.8 V (5)          | 1.710                  |               | 1.710          | 0.855             |
| 1.5 V (5)          | 1.425                  |               | 1.425          | 0.7125            |
| PCI (6)            | 2.970                  |               | 2.970          | 1.485             |
| PCI-X (6)          | 2.970                  |               | 2.970          | 1.485             |
| SSTL-2 Class I     | 2.325                  | 1.163         | 2.325          | 1.1625            |
| SSTL-2 Class II    | 2.325                  | 1.163         | 2.325          | 1.1625            |
| SSTL-18 Class I    | 1.660                  | 0.830         | 1.660          | 0.83              |
| SSTL-18 Class II   | 1.660                  | 0.830         | 1.660          | 0.83              |
| 1.8-V HSTL Class I | 1.660                  | 0.830         | 1.660          | 0.83              |

**Table 5–35. Timing Measurement Methodology for Input Pins (Part 2 of 2)** Notes (1)–(4)

| I/O Standard                     | Measurement Conditions |                      |                | Measurement Point     |
|----------------------------------|------------------------|----------------------|----------------|-----------------------|
|                                  | V <sub>CCIO</sub> (V)  | V <sub>REF</sub> (V) | Edge Rate (ns) | V <sub>MEAS</sub> (V) |
| 1.8-V HSTL Class II              | 1.660                  | 0.830                | 1.660          | 0.83                  |
| 1.5-V HSTL Class I               | 1.375                  | 0.688                | 1.375          | 0.6875                |
| 1.5-V HSTL Class II              | 1.375                  | 0.688                | 1.375          | 0.6875                |
| 1.2-V HSTL with OCT              | 1.140                  | 0.570                | 1.140          | 0.570                 |
| Differential SSTL-2 Class I      | 2.325                  | 1.163                | 2.325          | 1.1625                |
| Differential SSTL-2 Class II     | 2.325                  | 1.163                | 2.325          | 1.1625                |
| Differential SSTL-18 Class I     | 1.660                  | 0.830                | 1.660          | 0.83                  |
| Differential SSTL-18 Class II    | 1.660                  | 0.830                | 1.660          | 0.83                  |
| 1.5-V Differential HSTL Class I  | 1.375                  | 0.688                | 1.375          | 0.6875                |
| 1.5-V Differential HSTL Class II | 1.375                  | 0.688                | 1.375          | 0.6875                |
| 1.8-V Differential HSTL Class I  | 1.660                  | 0.830                | 1.660          | 0.83                  |
| 1.8-V Differential HSTL Class II | 1.660                  | 0.830                | 1.660          | 0.83                  |
| LVDS                             | 2.325                  |                      | 0.100          | 1.1625                |
| HyperTransport                   | 2.325                  |                      | 0.400          | 1.1625                |
| LVPECL                           | 3.135                  |                      | 0.100          | 1.5675                |

**Notes to Table 5–35:**

- (1) Input buffer sees no load at buffer input.
- (2) Input measuring point at buffer input is  $0.5 \times V_{CCIO}$ .
- (3) Output measuring point is  $0.5 \times V_{CC}$  at internal node.
- (4) Input edge rate is 1 V/ns.
- (5) Less than 50-mV ripple on V<sub>CCIO</sub> and V<sub>CCPD</sub>, V<sub>CCINT</sub> = 1.15 V with less than 30-mV ripple
- (6) V<sub>CCPD</sub> = 2.97 V, less than 50-mV ripple on V<sub>CCIO</sub> and V<sub>CCPD</sub>, V<sub>CCINT</sub> = 1.15 V

## Performance

Table 5–36 shows Stratix II performance for some common designs. All performance values were obtained with the Quartus II software compilation of library of parameterized modules (LPM), or MegaCore® functions for the finite impulse response (FIR) and fast Fourier transform (FFT) designs.



The performance numbers in Table 5–36 are extracted from the Quartus II software version 5.1 SP1.

**Table 5–36. Stratix II Performance Notes (Part 1 of 6)** *Note (1)*

| Applications                |                                       | Resources Used |                         |            | Performance        |                    |                |                |      |
|-----------------------------|---------------------------------------|----------------|-------------------------|------------|--------------------|--------------------|----------------|----------------|------|
|                             |                                       | ALUTs          | TriMatrix Memory Blocks | DSP Blocks | -3 Speed Grade (2) | -3 Speed Grade (3) | -4 Speed Grade | -5 Speed Grade | Unit |
| LE                          | 16-to-1 multiplexer (4)               | 21             | 0                       | 0          | 654.87             | 625.0              | 523.83         | 460.4          | MHz  |
|                             | 32-to-1 multiplexer (4)               | 38             | 0                       | 0          | 519.21             | 473.26             | 464.25         | 384.17         | MHz  |
|                             | 16-bit counter                        | 16             | 0                       | 0          | 566.57             | 538.79             | 489.23         | 421.05         | MHz  |
|                             | 64-bit counter                        | 64             | 0                       | 0          | 244.31             | 232.07             | 209.11         | 181.38         | MHz  |
| TriMatrix Memory M512 block | Simple dual-port RAM 32 x 18 bit      | 0              | 1                       | 0          | 500.00             | 476.19             | 434.02         | 373.13         | MHz  |
|                             | FIFO 32 x 18 bit                      | 22             | 1                       | 0          | 500.00             | 476.19             | 434.78         | 373.13         | MHz  |
| TriMatrix Memory M4K block  | Simple dual-port RAM 128 x 36 bit (8) | 0              | 1                       | 0          | 540.54             | 515.46             | 469.48         | 401.60         | MHz  |
|                             | True dual-port RAM 128 x 18 bit (8)   | 0              | 1                       | 0          | 540.54             | 515.46             | 469.48         | 401.60         | MHz  |
|                             | FIFO 128 x 36 bit                     | 22             | 1                       | 0          | 530.22             | 499.00             | 469.48         | 401.60         | MHz  |
|                             | Simple dual-port RAM 128 x 36 bit (9) | 0              | 1                       | 0          | 475.28             | 453.30             | 413.22         | 354.10         | MHz  |
|                             | True dual-port RAM 128 x 18 bit (9)   | 0              | 1                       | 0          | 475.28             | 453.30             | 413.22         | 354.10         | MHz  |

Table 5–36. Stratix II Performance Notes (Part 2 of 6) *Note (1)*

| Applications                 |                                   | Resources Used |                         |            | Performance        |                    |                |                |      |
|------------------------------|-----------------------------------|----------------|-------------------------|------------|--------------------|--------------------|----------------|----------------|------|
|                              |                                   | ALUTs          | TriMatrix Memory Blocks | DSP Blocks | -3 Speed Grade (2) | -3 Speed Grade (3) | -4 Speed Grade | -5 Speed Grade | Unit |
| TriMatrix Memory M-RAM block | Single port RAM 4K × 144 bit      | 0              | 1                       | 0          | 349.65             | 333.33             | 303.95         | 261.09         | MHz  |
|                              | Simple dual-port RAM 4K × 144 bit | 0              | 1                       | 0          | 420.16             | 400.00             | 364.96         | 313.47         | MHz  |
|                              | True dual-port RAM 4K × 144 bit   | 0              | 1                       | 0          | 349.65             | 333.33             | 303.95         | 261.09         | MHz  |
|                              | Single port RAM 8K × 72 bit       | 0              | 1                       | 0          | 354.60             | 337.83             | 307.69         | 263.85         | MHz  |
|                              | Simple dual-port RAM 8K × 72 bit  | 0              | 1                       | 0          | 420.16             | 400.00             | 364.96         | 313.47         | MHz  |
|                              | True dual-port RAM 8K × 72 bit    | 0              | 1                       | 0          | 349.65             | 333.33             | 303.95         | 261.09         | MHz  |
|                              | Single port RAM 16K × 36 bit      | 0              | 1                       | 0          | 364.96             | 347.22             | 317.46         | 271.73         | MHz  |
|                              | Simple dual-port RAM 16K × 36 bit | 0              | 1                       | 0          | 420.16             | 400.00             | 364.96         | 313.47         | MHz  |
|                              | True dual-port RAM 16K × 36 bit   | 0              | 1                       | 0          | 359.71             | 342.46             | 313.47         | 268.09         | MHz  |
|                              | Single port RAM 32K × 18 bit      | 0              | 1                       | 0          | 364.96             | 347.22             | 317.46         | 271.73         | MHz  |
|                              | Simple dual-port RAM 32K × 18 bit | 0              | 1                       | 0          | 420.16             | 400.0              | 364.96         | 313.47         | MHz  |
|                              | True dual-port RAM 32K × 18 bit   | 0              | 1                       | 0          | 359.71             | 342.46             | 313.47         | 268.09         | MHz  |
|                              | Single port RAM 64K × 9 bit       | 0              | 1                       | 0          | 364.96             | 347.22             | 317.46         | 271.73         | MHz  |
|                              | Simple dual-port RAM 64K × 9 bit  | 0              | 1                       | 0          | 420.16             | 400.0              | 364.96         | 313.47         | MHz  |
|                              | True dual-port RAM 64K × 9 bit    | 0              | 1                       | 0          | 359.71             | 342.46             | 313.47         | 268.09         | MHz  |

| <b>Table 5–36. Stratix II Performance Notes (Part 3 of 6)</b> <i>Note (1)</i> |  |                       |                                |                   |                           |                           |                       |                       |             |
|---|--|-----------------------|--------------------------------|-------------------|---------------------------|---------------------------|-----------------------|-----------------------|-------------|
| <b>Applications</b>   |  | <b>Resources Used</b> |                                |                   | <b>Performance</b>        |                           |                       |                       |             |
|   |  | <b>ALUTs</b>          | <b>TriMatrix Memory Blocks</b> | <b>DSP Blocks</b> | <b>-3 Speed Grade (2)</b> | <b>-3 Speed Grade (3)</b> | <b>-4 Speed Grade</b> | <b>-5 Speed Grade</b> | <b>Unit</b> |
| DSP block   | 9 × 9-bit multiplier (5)   | 0                     | 0                              | 1                 | 430.29                    | 409.16                    | 373.13                | 320.10                | MHz         |
|   | 18 × 18-bit multiplier (5)   | 0                     | 0                              | 1                 | 410.17                    | 390.01                    | 356.12                | 305.06                | MHz         |
|   | 18 × 18-bit multiplier (7)   | 0                     | 0                              | 1                 | 450.04                    | 428.08                    | 391.23                | 335.12                | MHz         |
|   | 36 × 36-bit multiplier (5)   | 0                     | 0                              | 1                 | 250.00                    | 238.15                    | 217.48                | 186.60                | MHz         |
|   | 36 × 36-bit multiplier (6)   | 0                     | 0                              | 1                 | 410.17                    | 390.01                    | 356.12                | 305.06                | MHz         |
|   | 18-bit, four-tap FIR filter  | 0                     | 0                              | 1                 | 410.17                    | 390.01                    | 356.12                | 305.06                | MHz         |
| Larger designs  | 8-bit, 16-tap parallel FIR filter  | 58                    | 0                              | 4                 | 259.06                    | 240.61                    | 217.15                | 185.01                | MHz         |
|   | 8-bit, 1024-point, streaming, three multipliers and five adders FFT function                                     | 2976                  | 22                             | 9                 | 398.72                    | 364.03                    | 355.23                | 306.37                | MHz         |
|   | 8-bit, 1024-point, streaming, four multipliers and two adders FFT function                                       | 2781                  | 22                             | 12                | 398.56                    | 409.16                    | 347.22                | 311.13                | MHz         |
|   | 8-bit, 1024-point, single output, one parallel FFT engine, burst, three multipliers and five adders FFT function | 984                   | 5                              | 3                 | 425.17                    | 365.76                    | 346.98                | 292.39                | MHz         |
|   | 8-bit, 1024-point, single output, one parallel FFT engine, burst, four multipliers and two adders FFT function   | 919                   | 5                              | 4                 | 427.53                    | 378.78                    | 357.14                | 307.59                | MHz         |



**Table 5–36. Stratix II Performance Notes (Part 4 of 6)** *Note (1)*

| Applications   |   | Resources Used |                         |            | Performance           |                       |                |                |      |
|----------------|---|----------------|-------------------------|------------|-----------------------|-----------------------|----------------|----------------|------|
|                |   | ALUTs          | TriMatrix Memory Blocks | DSP Blocks | -3 Speed Grade<br>(2) | -3 Speed Grade<br>(3) | -4 Speed Grade | -5 Speed Grade | Unit |
| Larger designs | 8-bit, 1024-point, single output, two parallel FFT engines, burst, three multiplier and five adders FFT function    | 1725           | 10                      | 6          | 430.29                | 401.92                | 373.13         | 319.08         | MHz  |
|                | 8-bit, 1024-point, single output, two parallel FFT engines, burst, four multipliers and two adders FFT function     | 1594           | 10                      | 8          | 422.65                | 407.33                | 373.13         | 329.10         | MHz  |
|                | 8-bit, 1024-point, quadrant output, one parallel FFT engine, burst, three multipliers and five adders FFT function  | 2361           | 10                      | 9          | 315.45                | 342.81                | 325.73         | 284.25         | MHz  |
|                | 8-bit, 1024-point, quadrant output, one parallel FFT engine, burst, four multipliers and two adders FFT function    | 2165           | 10                      | 12         | 373.13                | 369.54                | 317.96         | 256.14         | MHz  |
|                | 8-bit, 1024-point, quadrant output, two parallel FFT engines, burst, three multipliers and five adders FFT function | 3996           | 14                      | 18         | 378.50                | 367.10                | 332.33         | 288.68         | MHz  |
|                | 8-bit, 1024-point, quadrant output, two parallel FFT engines, burst, four multipliers and two adders FFT function   | 3604           | 14                      | 24         | 391.38                | 361.14                | 340.25         | 280.89         | MHz  |

**Table 5–36. Stratix II Performance Notes (Part 5 of 6)** *Note (1)*

| Applications   |   | Resources Used |                         |            | Performance        |                    |                |                |      |
|----------------|---|----------------|-------------------------|------------|--------------------|--------------------|----------------|----------------|------|
|                |   | ALUTs          | TriMatrix Memory Blocks | DSP Blocks | -3 Speed Grade (2) | -3 Speed Grade (3) | -4 Speed Grade | -5 Speed Grade | Unit |
| Larger designs | 8-bit, 1024-point, quadrant output, four parallel FFT engines, burst, three multipliers and five adders FFT function      | 6850           | 28                      | 36         | 334.11             | 345.66             | 308.54         | 276.31         | MHz  |
|                | 8-bit, 1024-point, quadrant output, four parallel FFT engines, burst, four multipliers two adders FFT function            | 6067           | 28                      | 48         | 367.91             | 349.04             | 327.33         | 268.24         | MHz  |
|                | 8-bit, 1024-point, quadrant output, one parallel FFT engine, buffered burst, three multipliers and adders FFT function    | 2730           | 18                      | 9          | 387.44             | 388.34             | 364.56         | 306.84         | MHz  |
|                | 8-bit, 1024-point, quadrant output, one parallel FFT engine, buffered burst, four multipliers and two adders FFT function | 2534           | 18                      | 12         | 419.28             | 369.66             | 364.96         | 307.88         | MHz  |
|                | 8-bit, 1024-point, quadrant output, two parallel FFT engines, buffered burst, three multipliers five adders FFT function  | 4358           | 30                      | 18         | 396.51             | 378.07             | 340.13         | 291.29         | MHz  |
|                | 8-bit, 1024-point, quadrant output, two parallel FFT engines, buffered burst four multipliers and two adders FFT function | 3966           | 30                      | 24         | 389.71             | 398.08             | 356.53         | 280.74         | MHz  |

**Table 5–36. Stratix II Performance Notes (Part 6 of 6)** *Note (1)*

| Applications   |   | Resources Used |                         |            | Performance           |                       |                |                |      |
|----------------|---|----------------|-------------------------|------------|-----------------------|-----------------------|----------------|----------------|------|
|                |   | ALUTs          | TriMatrix Memory Blocks | DSP Blocks | -3 Speed Grade<br>(2) | -3 Speed Grade<br>(3) | -4 Speed Grade | -5 Speed Grade | Unit |
| Larger designs | 8-bit, 1024-point, quadrant output, four parallel FFT engines, buffered burst, three multipliers five adders FFT function   | 7385           | 60                      | 36         | 359.58                | 352.98                | 312.01         | 278.00         | MHz  |
|                | 8-bit, 1024-point, quadrant output, four parallel FFT engines, buffered burst, four multipliers and two adders FFT function | 6601           | 60                      | 48         | 371.88                | 355.74                | 327.86         | 277.62         | MHz  |

**Notes for Table 5–36:**

- (1) These design performance numbers were obtained using the Quartus II software version 5.0 SP1.
- (2) These numbers apply to -3 speed grade EP2S15, EP2S30, EP2S60, and EP2S90 devices.
- (3) These numbers apply to -3 speed grade EP2S130 and EP2S180 devices.
- (4) This application uses registered inputs and outputs.
- (5) This application uses registered multiplier input and output stages within the DSP block.
- (6) This application uses registered multiplier input, pipeline, and output stages within the DSP block.
- (7) This application uses registered multiplier input with output of the multiplier stage feeding the accumulator or subtractor within the DSP block.
- (8) This application uses the same clock source that is globally routed and connected to ports A and B.
- (9) This application uses locally routed clocks or differently sourced clocks for ports A and B.

## Internal Timing Parameters

See Tables 5–37 through 5–42 for internal timing parameters.

| Symbol      | Parameter                           | -3 Speed Grade (1) |     | -3 Speed Grade (2) |     | -4 Speed Grade |     | -5 Speed Grade |     | Unit |
|-------------|-------------------------------------|--------------------|-----|--------------------|-----|----------------|-----|----------------|-----|------|
|             |                                     | Min (3)            | Max | Min (3)            | Max | Min (4)        | Max | Min (3)        | Max |      |
| $t_{SU}$    | LE register setup time before clock | 90                 |     | 95                 |     | 104<br>104     |     | 121            |     | ps   |
| $t_H$       | LE register hold time after clock   | 149                |     | 157                |     | 172<br>172     |     | 200            |     | ps   |
| $t_{CO}$    | LE register clock-to-output delay   | 62                 | 94  | 62                 | 99  | 59<br>62       | 109 | 62             | 127 | ps   |
| $t_{CLR}$   | Minimum clear pulse width           | 204                |     | 214                |     | 234<br>234     |     | 273            |     | ps   |
| $t_{PRE}$   | Minimum preset pulse width          | 204                |     | 214                |     | 234<br>234     |     | 273            |     | ps   |
| $t_{CLKL}$  | Minimum clock low time              | 612                |     | 642                |     | 703<br>703     |     | 820            |     | ps   |
| $t_{CLKH}$  | Minimum clock high time             | 612                |     | 642                |     | 703<br>703     |     | 820            |     | ps   |
| $t_{LUT}$   |                                     | 162                | 378 | 162                | 397 | 162<br>170     | 435 | 162            | 507 | ps   |
| $t_{ADDER}$ |                                     | 354                | 619 | 354                | 650 | 354<br>372     | 712 | 354            | 829 | ps   |

### Notes to Table 5–37:

- (1) These numbers apply to -3 speed grade EP2S15, EP2S30, EP2S60, and EP2S90 devices.
- (2) These numbers apply to -3 speed grade EP2S130 and EP2S180 devices.
- (3) For the -3 and -5 speed grades, the minimum timing is for the commercial temperature grade. Only -4 speed grade devices offer the industrial temperature grade.
- (4) For the -4 speed grade, the first number is the minimum timing parameter for industrial devices. The second number is the minimum timing parameter for commercial devices.

**Table 5–38. IOE Internal Timing Microparameters**

| Symbol               | Parameter   | -3 Speed Grade (1) |       | -3 Speed Grade (2) |       | -4 Speed Grade |       | -5 Speed Grade |       | Unit |
|----------------------|---|--------------------|-------|--------------------|-------|----------------|-------|----------------|-------|------|
|                      |   | Min (3)            | Max   | Min (3)            | Max   | Min (4)        | Max   | Min (3)        | Max   |      |
| $t_{SU}$             | IOE input and output register setup time before clock | 122                |       | 128                |       | 140<br>140     |       | 163            |       | ps   |
| $t_H$                | IOE input and output register hold time after clock   | 72                 |       | 75                 |       | 82<br>82       |       | 96             |       | ps   |
| $t_{CO}$             | IOE input and output register clock-to-output delay   | 101                | 169   | 101                | 177   | 97<br>101      | 194   | 101            | 226   | ps   |
| $t_{PIN2COMBOUT\_R}$ | Row input pin to IOE combinational output             | 410                | 760   | 410                | 798   | 391<br>410     | 873   | 410            | 1,018 | ps   |
| $t_{PIN2COMBOUT\_C}$ | Column input pin to IOE combinational output          | 428                | 787   | 428                | 825   | 408<br>428     | 904   | 428            | 1,054 | ps   |
| $t_{COMBIN2PIN\_R}$  | Row IOE data input to combinational output pin        | 1,101              | 2,026 | 1,101              | 2,127 | 1,049<br>1,101 | 2,329 | 1,101          | 2,439 | ps   |
| $t_{COMBIN2PIN\_C}$  | Column IOE data input to combinational output pin     | 991                | 1,854 | 991                | 1,946 | 944<br>991     | 2,131 | 991            | 2,246 | ps   |
| $t_{CLR}$            | Minimum clear pulse width                             | 200                |       | 210                |       | 229<br>229     |       | 268            |       | ps   |
| $t_{PRE}$            | Minimum preset pulse width                            | 200                |       | 210                |       | 229<br>229     |       | 268            |       | ps   |
| $t_{CLKL}$           | Minimum clock low time                                | 600                |       | 630                |       | 690<br>690     |       | 804            |       | ps   |
| $t_{CLKH}$           | Minimum clock high time                               | 600                |       | 630                |       | 690<br>690     |       | 804            |       | ps   |

**Notes to Table 5–38:**

- (1) These numbers apply to -3 speed grade EP2S15, EP2S30, EP2S60, and EP2S90 devices.
- (2) These numbers apply to -3 speed grade EP2S130 and EP2S180 devices.
- (3) For the -3 and -5 speed grades, the minimum timing is for the commercial temperature grade. Only -4 speed grade devices offer the industrial temperature grade.
- (4) For the -4 speed grade, the first number is the minimum timing parameter for industrial devices. The second number is the minimum timing parameter for commercial devices.

**Table 5–39. DSP Block Internal Timing Microparameters (Part 1 of 2)**

| Symbol                | Parameter   | -3 Speed Grade (1) |       | -3 Speed Grade (2) |       | -4 Speed Grade |       | -5 Speed Grade |       | Unit |
|-----------------------|---|--------------------|-------|--------------------|-------|----------------|-------|----------------|-------|------|
|                       |   | Min (3)            | Max   | Min (3)            | Max   | Min (4)        | Max   | Min (3)        | Max   |      |
| $t_{SU}$              | Input, pipeline, and output register setup time before clock                        | 50                 |       | 52                 |       | 57<br>57       |       | 67             |       | ps   |
| $t_H$                 | Input, pipeline, and output register hold time after clock                          | 180                |       | 189                |       | 206<br>206     |       | 241            |       | ps   |
| $t_{CO}$              | Input, pipeline, and output register clock-to-output delay                          | 0                  | 0     | 0                  | 0     | 0<br>0         | 0     | 0              | 0     | ps   |
| $t_{INREG2PIPE9}$     | Input register to DSP block pipeline register in 9 × 9-bit mode                     | 1,312              | 2,030 | 1,312              | 2,030 | 1,250<br>1,312 | 2,334 | 1,312          | 2,720 | ps   |
| $t_{INREG2PIPE18}$    | Input register to DSP block pipeline register in 18 × 18-bit mode                   | 1,302              | 2,010 | 1,302              | 2,110 | 1,240<br>1,302 | 2,311 | 1,302          | 2,693 | ps   |
| $t_{INREG2PIPE36}$    | Input register to DSP block pipeline register in 36 × 36-bit mode                   | 1,302              | 2,010 | 1,302              | 2,110 | 1,240<br>1,302 | 2,311 | 1,302          | 2,693 | ps   |
| $t_{PIPE2OUTREG2ADD}$ | DSP block pipeline register to output register delay in two-multipliers adder mode  | 924                | 1,450 | 924                | 1,522 | 880<br>924     | 1,667 | 924            | 1,943 | ps   |
| $t_{PIPE2OUTREG4ADD}$ | DSP block pipeline register to output register delay in four-multipliers adder mode | 1,134              | 1,850 | 1,134              | 1,942 | 1,080<br>1,134 | 2,127 | 1,134          | 2,479 | ps   |
| $t_{PD9}$             | Combinational input to output delay for 9 × 9                                       | 2,100              | 2,880 | 2,100              | 3,024 | 2,000<br>2,100 | 3,312 | 2,100          | 3,859 | ps   |
| $t_{PD18}$            | Combinational input to output delay for 18 × 18                                     | 2,110              | 2,990 | 2,110              | 3,139 | 2,010<br>2,110 | 3,438 | 2,110          | 4,006 | ps   |
| $t_{PD36}$            | Combinational input to output delay for 36 × 36                                     | 2,939              | 4,450 | 2,939              | 4,672 | 2,800<br>2,939 | 5,117 | 2,939          | 5,962 | ps   |
| $t_{CLR}$             | Minimum clear pulse width   | 2,212              |       | 2,322              |       | 2,543<br>2,543 |       | 2,964          |       | ps   |

**Table 5–39. DSP Block Internal Timing Microparameters (Part 2 of 2)**

| Symbol     | Parameter               | -3 Speed Grade (1) |     | -3 Speed Grade (2) |     | -4 Speed Grade |     | -5 Speed Grade |     | Unit |
|------------|-------------------------|--------------------|-----|--------------------|-----|----------------|-----|----------------|-----|------|
|            |                         | Min (3)            | Max | Min (3)            | Max | Min (4)        | Max | Min (3)        | Max |      |
| $t_{CLKL}$ | Minimum clock low time  | 1,190              |     | 1,249              |     | 1,368<br>1,368 |     | 1,594          |     | ps   |
| $t_{CLKH}$ | Minimum clock high time | 1,190              |     | 1,249              |     | 1,368<br>1,368 |     | 1,594          |     | ps   |

**Notes to Table 5–39:**

- (1) These numbers apply to -3 speed grade EP2S15, EP2S30, EP2S60, and EP2S90 devices.
- (2) These numbers apply to -3 speed grade EP2S130 and EP2S180 devices.
- (3) For the -3 and -5 speed grades, the minimum timing is for the commercial temperature grade. Only -4 speed grade devices offer the industrial temperature grade.
- (4) For the -4 speed grade, the first number is the minimum timing parameter for industrial devices. The second number is the minimum timing parameter for commercial devices.

**Table 5–40. M512 Block Internal Timing Microparameters (Part 1 of 2)** *Note (1)*

| Symbol            | Parameter                                    | -3 Speed Grade (2) |       | -3 Speed Grade (3) |       | -4 Speed Grade |       | -5 Speed Grade |       | Unit |
|-------------------|--|--------------------|-------|--------------------|-------|----------------|-------|----------------|-------|------|
|                   |  | Min (4)            | Max   | Min (4)            | Max   | Min (5)        | Max   | Min (4)        | Max   |      |
| $t_{M512RC}$      | Synchronous read cycle time                  | 2,089              | 2,318 | 2,089              | 2,433 | 1,989<br>2,089 | 2,664 | 2,089          | 3,104 | ps   |
| $t_{M512WERESU}$  | Write or read enable setup time before clock | 22                 |       | 23                 |       | 25<br>25       |       | 29             |       | ps   |
| $t_{M512WEREH}$   | Write or read enable hold time after clock   | 203                |       | 213                |       | 233<br>233     |       | 272            |       | ps   |
| $t_{M512DATASU}$  | Data setup time before clock                 | 22                 |       | 23                 |       | 25<br>25       |       | 29             |       | ps   |
| $t_{M512DATAH}$   | Data hold time after clock                   | 203                |       | 213                |       | 233<br>233     |       | 272            |       | ps   |
| $t_{M512WADDRSU}$ | Write address setup time before clock        | 22                 |       | 23                 |       | 25<br>25       |       | 29             |       | ps   |
| $t_{M512WADDRH}$  | Write address hold time after clock          | 203                |       | 213                |       | 233<br>233     |       | 272            |       | ps   |
| $t_{M512RADDRSU}$ | Read address setup time before clock         | 22                 |       | 23                 |       | 25<br>25       |       | 29             |       | ps   |
| $t_{M512RADDRH}$  | Read address hold time after clock           | 203                |       | 213                |       | 233<br>233     |       | 272            |       | ps   |

| Symbol           | Parameter   | -3 Speed Grade (2) |       | -3 Speed Grade (3) |       | -4 Speed Grade |       | -5 Speed Grade |       | Unit |
|------------------|---|--------------------|-------|--------------------|-------|----------------|-------|----------------|-------|------|
|                  |   | Min (4)            | Max   | Min (4)            | Max   | Min (5)        | Max   | Min (4)        | Max   |      |
| $t_{M512DATAO1}$ | Clock-to-output delay when using output registers | 298                | 478   | 298                | 501   | 284<br>298     | 548   | 298            | 640   | ps   |
| $t_{M512DATAO2}$ | Clock-to-output delay without output registers    | 2,102              | 2,345 | 2,102              | 2,461 | 2,003<br>2,102 | 2,695 | 2,102          | 3,141 | ps   |
| $t_{M512CLKL}$   | Minimum clock low time                            | 1,315              |       | 1,380              |       | 1,512<br>1,512 |       | 1,762          |       | ps   |
| $t_{M512CLKH}$   | Minimum clock high time                           | 1,315              |       | 1,380              |       | 1,512<br>1,512 |       | 1,762          |       | ps   |
| $t_{M512CLR}$    | Minimum clear pulse width                         | 144                |       | 151                |       | 165<br>165     |       | 192            |       | ps   |

**Notes to Table 5–40:**

- (1)  $F_{MAX}$  of M512 block obtained using the Quartus II software does not necessarily equal to  $1/T_{M512RC}$ .
- (2) These numbers apply to -3 speed grade EP2S15, EP2S30, EP2S60, and EP2S90 devices.
- (3) These numbers apply to -3 speed grade EP2S130 and EP2S180 devices.
- (4) For the -3 and -5 speed grades, the minimum timing is for the commercial temperature grade. Only -4 speed grade devices offer the industrial temperature grade.
- (5) For the -4 speed grade, the first number is the minimum timing parameter for industrial devices. The second number is the minimum timing parameter for commercial devices.

| Symbol          | Parameter                                    | -3 Speed Grade (2) |       | -3 Speed Grade (3) |       | -4 Speed Grade |       | -5 Speed Grade |       | Unit |
|-----------------|--|--------------------|-------|--------------------|-------|----------------|-------|----------------|-------|------|
|                 |  | Min (4)            | Max   | Min (4)            | Max   | Min (5)        | Max   | Min (4)        | Max   |      |
| $t_{M4KRRC}$    | Synchronous read cycle time                  | 1,462              | 2,240 | 1,462              | 2,351 | 1,393<br>1,462 | 2,575 | 1,462          | 3,000 | ps   |
| $t_{M4KWERESU}$ | Write or read enable setup time before clock | 22                 |       | 23                 |       | 25<br>25       |       | 29             |       | ps   |
| $t_{M4KWEREH}$  | Write or read enable hold time after clock   | 203                |       | 213                |       | 233<br>233     |       | 272            |       | ps   |
| $t_{M4KBESU}$   | Byte enable setup time before clock          | 22                 |       | 23                 |       | 25<br>25       |       | 29             |       | ps   |
| $t_{M4KBEH}$    | Byte enable hold time after clock            | 203                |       | 213                |       | 233<br>233     |       | 272            |       | ps   |



| Symbol                   | Parameter   | -3 Speed Grade (2) |       | -3 Speed Grade (3) |       | -4 Speed Grade |       | -5 Speed Grade |       | Unit |
|--------------------------|---|--------------------|-------|--------------------|-------|----------------|-------|----------------|-------|------|
|                          |   | Min (4)            | Max   | Min (4)            | Max   | Min (5)        | Max   | Min (4)        | Max   |      |
| $t_{M4KDATAASU}$         | A port data setup time before clock               | 22                 |       | 23                 |       | 25<br>25       |       | 29             |       | ps   |
| $t_{M4KDATAAH}$          | A port data hold time after clock                 | 203                |       | 213                |       | 233<br>233     |       | 272            |       | ps   |
| $t_{M4KADDRASU}$         | A port address setup time before clock            | 22                 |       | 23                 |       | 25<br>25       |       | 29             |       | ps   |
| $t_{M4KADDRAH}$          | A port address hold time after clock              | 203                |       | 213                |       | 233<br>233     |       | 272            |       | ps   |
| $t_{M4KDATABSU}$         | B port data setup time before clock               | 22                 |       | 23                 |       | 25<br>25       |       | 29             |       | ps   |
| $t_{M4KDATABH}$          | B port data hold time after clock                 | 203                |       | 213                |       | 233<br>233     |       | 272            |       | ps   |
| $t_{M4KRADDRBSU}$        | B port address setup time before clock            | 22                 |       | 23                 |       | 25<br>25       |       | 29             |       | ps   |
| $t_{M4KRADDRBH}$         | B port address hold time after clock              | 203                |       | 213                |       | 233<br>233     |       | 272            |       | ps   |
| $t_{M4KDATA CO1}$        | Clock-to-output delay when using output registers | 334                | 524   | 334                | 549   | 319<br>334     | 601   | 334            | 701   | ps   |
| $t_{M4KDATA CO2}$<br>(6) | Clock-to-output delay without output registers    | 1,616              | 2,453 | 1,616              | 2,574 | 1,540<br>1,616 | 2,820 | 1,616          | 3,286 | ps   |
| $t_{M4KCLKH}$            | Minimum clock high time                           | 1,250              |       | 1,312              |       | 1,437<br>1,437 |       | 1,675          |       | ps   |
| $t_{M4KCLKL}$            | Minimum clock low time                            | 1,250              |       | 1,312              |       | 1,437<br>1,437 |       | 1,675          |       | ps   |
| $t_{M4KCLR}$             | Minimum clear pulse width                         | 144                |       | 151                |       | 165<br>165     |       | 192            |       | ps   |

**Notes to Table 5–41:**

- (1)  $F_{MAX}$  of M4K Block obtained using the Quartus II software does not necessarily equal to  $1/TM4KRC$ .
- (2) These numbers apply to -3 speed grade EP2S15, EP2S30, EP2S60, and EP2S90 devices.
- (3) These numbers apply to -3 speed grade EP2S130 and EP2S180 devices.
- (4) For the -3 and -5 speed grades, the minimum timing is for the commercial temperature grade. Only -4 speed grade devices offer the industrial temperature grade.
- (5) For the -4 speed grade, the first number is the minimum timing parameter for industrial devices. The second number is the minimum timing parameter for commercial devices.
- (6) Numbers apply to unpacked memory modes, true dual-port memory modes, and simple dual-port memory modes that use locally routed or non-identical sources for the A and B port registers.

**Table 5–42. M-RAM Block Internal Timing Microparameters (Part 1 of 2)** *Note (1)*

| Symbol            | Parameter   | -3 Speed Grade (2) |       | -3 Speed Grade (3) |       | -4 Speed Grade |       | -5 Speed Grade |       | Unit |
|-------------------|---|--------------------|-------|--------------------|-------|----------------|-------|----------------|-------|------|
|                   |   | Min (4)            | Max   | Min (4)            | Max   | Min (5)        | Max   | Min (4)        | Max   |      |
| $t_{MEGARC}$      | Synchronous read cycle time                       | 1,866              | 2,774 | 1,866              | 2,911 | 1,777<br>1,866 | 3,189 | 1,777<br>1,866 | 3,716 | ps   |
| $t_{MEGAWERESU}$  | Write or read enable setup time before clock      | 144                |       | 151                |       | 165<br>165     |       | 192            |       | ps   |
| $t_{MEGAWEREH}$   | Write or read enable hold time after clock        | 39                 |       | 40                 |       | 44<br>44       |       | 52             |       | ps   |
| $t_{MEGABESU}$    | Byte enable setup time before clock               | 50                 |       | 52                 |       | 57<br>57       |       | 67             |       | ps   |
| $t_{MEGABEH}$     | Byte enable hold time after clock                 | 39                 |       | 40                 |       | 44<br>44       |       | 52             |       | ps   |
| $t_{MEGADATAASU}$ | A port data setup time before clock               | 50                 |       | 52                 |       | 57<br>57       |       | 67             |       | ps   |
| $t_{MEGADATAAH}$  | A port data hold time after clock                 | 243                |       | 255                |       | 279<br>279     |       | 325            |       | ps   |
| $t_{MEGAADDRASU}$ | A port address setup time before clock            | 589                |       | 618                |       | 677<br>677     |       | 789            |       | ps   |
| $t_{MEGAADDRAH}$  | A port address hold time after clock              | 241                |       | 253                |       | 277<br>277     |       | 322            |       | ps   |
| $t_{MEGADATABSU}$ | B port setup time before clock                    | 50                 |       | 52                 |       | 57<br>57       |       | 67             |       | ps   |
| $t_{MEGADATABH}$  | B port hold time after clock                      | 243                |       | 255                |       | 279<br>279     |       | 325            |       | ps   |
| $t_{MEGAADDRBSU}$ | B port address setup time before clock            | 589                |       | 618                |       | 677<br>677     |       | 789            |       | ps   |
| $t_{MEGAADDRBH}$  | B port address hold time after clock              | 241                |       | 253                |       | 277<br>277     |       | 322            |       | ps   |
| $t_{MEGADATACO1}$ | Clock-to-output delay when using output registers | 480                | 715   | 480                | 749   | 457<br>480     | 821   | 480            | 957   | ps   |
| $t_{MEGADATACO2}$ | Clock-to-output delay without output registers    | 1,950              | 2,899 | 1,950              | 3,042 | 1,857<br>1,950 | 3,332 | 1,950          | 3,884 | ps   |
| $t_{MEGACLKL}$    | Minimum clock low time                            | 1,250              |       | 1,312              |       | 1,437<br>1,437 |       | 1,675          |       | ps   |

**Table 5–42. M-RAM Block Internal Timing Microparameters (Part 2 of 2)** *Note (1)*

| Symbol                | Parameter                 | -3 Speed Grade (2) |     | -3 Speed Grade (3) |     | -4 Speed Grade |     | -5 Speed Grade |     | Unit |
|-----------------------|---------------------------|--------------------|-----|--------------------|-----|----------------|-----|----------------|-----|------|
|                       |                           | Min (4)            | Max | Min (4)            | Max | Min (5)        | Max | Min (4)        | Max |      |
| $t_{\text{MEGACLKH}}$ | Minimum clock high time   | 1,250              |     | 1,312              |     | 1,437<br>1,437 |     | 1,675          |     | ps   |
| $t_{\text{MEGACLR}}$  | Minimum clear pulse width | 144                |     | 151                |     | 165<br>165     |     | 192            |     | ps   |

**Notes to Table 5–42:**

- (1)  $F_{\text{MAX}}$  of M-RAM Block obtained using the Quartus II software does not necessarily equal to  $1/\text{TMEGARC}$ .
- (2) These numbers apply to -3 speed grade EP2S15, EP2S30, EP2S60, and EP2S90 devices.
- (3) These numbers apply to -3 speed grade EP2S130 and EP2S180 devices.
- (4) For the -3 and -5 speed grades, the minimum timing is for the commercial temperature grade. Only -4 speed grade devices offer the industrial temperature grade.
- (5) For the -4 speed grade, the first number is the minimum timing parameter for industrial devices. The second number is the minimum timing parameter for commercial devices.

## Stratix II Clock Timing Parameters

See Tables 5–43 through 5–67 for Stratix II clock timing parameters.

**Table 5–43. Stratix II Clock Timing Parameters**

| Symbol               | Parameter  |
|----------------------|--|
| $t_{\text{CIN}}$     | Delay from clock pad to I/O input register                   |
| $t_{\text{COUT}}$    | Delay from clock pad to I/O output register                  |
| $t_{\text{PLLCIN}}$  | Delay from PLL <code>inclk</code> pad to I/O input register  |
| $t_{\text{PLLCOUT}}$ | Delay from PLL <code>inclk</code> pad to I/O output register |

## EP2S15 Clock Timing Parameters

Tables 5–44 through 5–47 show the maximum clock timing parameters for EP2S15 devices.

**Table 5–44. EP2S15 Column Pins Regional Clock Timing Parameters**

| Parameter       | Minimum Timing |            | -3 Speed Grade | -4 Speed Grade | -5 Speed Grade | Unit |
|-----------------|----------------|------------|----------------|----------------|----------------|------|
|                 | Industrial     | Commercial |                |                |                |      |
| $t_{CIN}$       | 1.445          | 1.512      | 2.487          | 2.848          | 3.309          | ns   |
| $t_{COUT}$      | 1.288          | 1.347      | 2.245          | 2.570          | 2.985          | ns   |
| $t_{PLL\,CIN}$  | 0.104          | 0.102      | 0.336          | 0.373          | 0.424          | ns   |
| $t_{PLL\,COUT}$ | -0.053         | -0.063     | 0.094          | 0.095          | 0.1            | ns   |

**Table 5–45. EP2S15 Column Pins Global Clock Timing Parameters**

| Parameter       | Minimum Timing |            | -3 Speed Grade | -4 Speed Grade | -5 Speed Grade | Unit |
|-----------------|----------------|------------|----------------|----------------|----------------|------|
|                 | Industrial     | Commercial |                |                |                |      |
| $t_{CIN}$       | 1.419          | 1.487      | 2.456          | 2.813          | 3.273          | ns   |
| $t_{COUT}$      | 1.262          | 1.322      | 2.214          | 2.535          | 2.949          | ns   |
| $t_{PLL\,CIN}$  | 0.094          | 0.092      | 0.326          | 0.363          | 0.414          | ns   |
| $t_{PLL\,COUT}$ | -0.063         | -0.073     | 0.084          | 0.085          | 0.09           | ns   |

**Table 5–46. EP2S15 Row Pins Regional Clock Timing Parameters**

| Parameter       | Minimum Timing |            | -3 Speed Grade | -4 Speed Grade | -5 Speed Grade | Unit |
|-----------------|----------------|------------|----------------|----------------|----------------|------|
|                 | Industrial     | Commercial |                |                |                |      |
| $t_{CIN}$       | 1.232          | 1.288      | 2.144          | 2.454          | 2.848          | ns   |
| $t_{COUT}$      | 1.237          | 1.293      | 2.140          | 2.450          | 2.843          | ns   |
| $t_{PLL\,CIN}$  | -0.109         | -0.122     | -0.007         | -0.021         | -0.037         | ns   |
| $t_{PLL\,COUT}$ | -0.104         | -0.117     | -0.011         | -0.025         | -0.042         | ns   |

**Table 5–47. EP2S15 Row Pins Global Clock Timing Parameters**

| Parameter     | Minimum Timing |            | -3 Speed Grade | -4 Speed Grade | -5 Speed Grade | Unit |
|---------------|----------------|------------|----------------|----------------|----------------|------|
|               | Industrial     | Commercial |                |                |                |      |
| $t_{CIN}$     | 1.206          | 1.262      | 2.113          | 2.422          | 2.815          | ns   |
| $t_{COUT}$    | 1.211          | 1.267      | 2.109          | 2.418          | 2.810          | ns   |
| $t_{PLLCIN}$  | -0.125         | -0.138     | -0.023         | -0.038         | -0.056         | ns   |
| $t_{PLLCOUT}$ | -0.12          | -0.133     | -0.027         | -0.042         | -0.061         | ns   |

*EP2S30 Clock Timing Parameters*

Tables 5–48 through 5–51 show the maximum clock timing parameters for EP2S30 devices.

**Table 5–48. EP2S30 Column Pins Regional Clock Timing Parameters**

| Parameter     | Minimum Timing |            | -3 Speed Grade | -4 Speed Grade | -5 Speed Grade | Unit |
|---------------|----------------|------------|----------------|----------------|----------------|------|
|               | Industrial     | Commercial |                |                |                |      |
| $t_{CIN}$     | 1.553          | 1.627      | 2.639          | 3.025          | 3.509          | ns   |
| $t_{COUT}$    | 1.396          | 1.462      | 2.397          | 2.747          | 3.185          | ns   |
| $t_{PLLCIN}$  | 0.114          | 0.113      | 0.225          | 0.248          | 0.28           | ns   |
| $t_{PLLCOUT}$ | -0.043         | -0.052     | -0.017         | -0.03          | -0.044         | ns   |

**Table 5–49. EP2S30 Column Pins Global Clock Timing Parameters**

| Parameter     | Minimum Timing |            | -3 Speed Grade | -4 Speed Grade | -5 Speed Grade | Unit |
|---------------|----------------|------------|----------------|----------------|----------------|------|
|               | Industrial     | Commercial |                |                |                |      |
| $t_{CIN}$     | 1.539          | 1.613      | 2.622          | 3.008          | 3.501          | ns   |
| $t_{COUT}$    | 1.382          | 1.448      | 2.380          | 2.730          | 3.177          | ns   |
| $t_{PLLCIN}$  | 0.101          | 0.098      | 0.209          | 0.229          | 0.267          | ns   |
| $t_{PLLCOUT}$ | -0.056         | -0.067     | -0.033         | -0.049         | -0.057         | ns   |

**Table 5–50. EP2S30 Row Pins Regional Clock Timing Parameters**

| Parameter     | Minimum Timing |            | -3 Speed Grade | -4 Speed Grade | -5 Speed Grade | Unit |
|---------------|----------------|------------|----------------|----------------|----------------|------|
|               | Industrial     | Commercial |                |                |                |      |
| $t_{CIN}$     | 1.304          | 1.184      | 1.966          | 2.251          | 2.616          | ns   |
| $t_{COUT}$    | 1.309          | 1.189      | 1.962          | 2.247          | 2.611          | ns   |
| $t_{PLLCIN}$  | -0.135         | -0.158     | -0.208         | -0.254         | -0.302         | ns   |
| $t_{PLLCOUT}$ | -0.13          | -0.153     | -0.212         | -0.258         | -0.307         | ns   |

**Table 5–51. EP2S30 Row Pins Global Clock Timing Parameters**

| Parameter     | Minimum Timing |            | -3 Speed Grade | -4 Speed Grade | -5 Speed Grade | Unit |
|---------------|----------------|------------|----------------|----------------|----------------|------|
|               | Industrial     | Commercial |                |                |                |      |
| $t_{CIN}$     | 1.289          | 1.352      | 2.238          | 2.567          | 2.990          | ns   |
| $t_{COUT}$    | 1.294          | 1.357      | 2.234          | 2.563          | 2.985          | ns   |
| $t_{PLLCIN}$  | -0.14          | -0.154     | -0.169         | -0.205         | -0.254         | ns   |
| $t_{PLLCOUT}$ | -0.135         | -0.149     | -0.173         | -0.209         | -0.259         | ns   |

*EP2S60 Clock Timing Parameters*

Tables 5–52 through 5–55 show the maximum clock timing parameters for EP2S60 devices.

**Table 5–52. EP2S60 Column Pins Regional Clock Timing Parameters**

| Parameter     | Minimum Timing |            | -3 Speed Grade | -4 Speed Grade | -5 Speed Grade | Unit |
|---------------|----------------|------------|----------------|----------------|----------------|------|
|               | Industrial     | Commercial |                |                |                |      |
| $t_{CIN}$     | 1.681          | 1.762      | 2.945          | 3.381          | 3.931          | ns   |
| $t_{COUT}$    | 1.524          | 1.597      | 2.703          | 3.103          | 3.607          | ns   |
| $t_{PLLCIN}$  | 0.066          | 0.064      | 0.279          | 0.311          | 0.348          | ns   |
| $t_{PLLCOUT}$ | -0.091         | -0.101     | 0.037          | 0.033          | 0.024          | ns   |

**Table 5–53. EP2S60 Column Pins Global Clock Timing Parameters**

| Parameter       | Minimum Timing |            | -3 Speed Grade | -4 Speed Grade | -5 Speed Grade | Unit |
|-----------------|----------------|------------|----------------|----------------|----------------|------|
|                 | Industrial     | Commercial |                |                |                |      |
| $t_{CIN}$       | 1.658          | 1.739      | 2.920          | 3.350          | 3.899          | ns   |
| $t_{COUT}$      | 1.501          | 1.574      | 2.678          | 3.072          | 3.575          | ns   |
| $t_{PLL\,CIN}$  | 0.06           | 0.057      | 0.278          | 0.304          | 0.355          | ns   |
| $t_{PLL\,COUT}$ | -0.097         | -0.108     | 0.036          | 0.026          | 0.031          | ns   |

**Table 5–54. EP2S60 Row Pins Regional Clock Timing Parameters**

| Parameter       | Minimum Timing |            | -3 Speed Grade | -4 Speed Grade | -5 Speed Grade | Unit |
|-----------------|----------------|------------|----------------|----------------|----------------|------|
|                 | Industrial     | Commercial |                |                |                |      |
| $t_{CIN}$       | 1.463          | 1.532      | 2.591          | 2.972          | 3.453          | ns   |
| $t_{COUT}$      | 1.468          | 1.537      | 2.587          | 2.968          | 3.448          | ns   |
| $t_{PLL\,CIN}$  | -0.153         | -0.167     | -0.079         | -0.099         | -0.128         | ns   |
| $t_{PLL\,COUT}$ | -0.148         | -0.162     | -0.083         | -0.103         | -0.133         | ns   |

**Table 5–55. EP2S60 Row Pins Global Clock Timing Parameters**

| Parameter       | Minimum Timing |            | -3 Speed Grade | -4 Speed Grade | -5 Speed Grade | Unit |
|-----------------|----------------|------------|----------------|----------------|----------------|------|
|                 | Industrial     | Commercial |                |                |                |      |
| $t_{CIN}$       | 1.439          | 1.508      | 2.562          | 2.940          | 3.421          | ns   |
| $t_{COUT}$      | 1.444          | 1.513      | 2.558          | 2.936          | 3.416          | ns   |
| $t_{PLL\,CIN}$  | -0.161         | -0.174     | -0.083         | -0.107         | -0.126         | ns   |
| $t_{PLL\,COUT}$ | -0.156         | -0.169     | -0.087         | -0.111         | -0.131         | ns   |

### EP2S90 Clock Timing Parameters

Tables 5–56 through 5–59 show the maximum clock timing parameters for EP2S90 devices.

**Table 5–56. EP2S90 Column Pins Regional Clock Timing Parameters**

| Parameter     | Minimum Timing |            | -3 Speed Grade | -4 Speed Grade | -5 Speed Grade | Unit |
|---------------|----------------|------------|----------------|----------------|----------------|------|
|               | Industrial     | Commercial |                |                |                |      |
| $t_{CIN}$     | 1.768          | 1.850      | 3.033          | 3.473          | 4.040          | ns   |
| $t_{COUT}$    | 1.611          | 1.685      | 2.791          | 3.195          | 3.716          | ns   |
| $t_{PLLCIN}$  | -0.127         | -0.117     | 0.125          | 0.129          | 0.144          | ns   |
| $t_{PLLCOUT}$ | -0.284         | -0.282     | -0.117         | -0.149         | -0.18          | ns   |

**Table 5–57. EP2S90 Column Pins Global Clock Timing Parameters**

| Parameter     | Minimum Timing |            | -3 Speed Grade | -4 Speed Grade | -5 Speed Grade | Unit |
|---------------|----------------|------------|----------------|----------------|----------------|------|
|               | Industrial     | Commercial |                |                |                |      |
| $t_{CIN}$     | 1.783          | 1.868      | 3.058          | 3.502          | 4.070          | ns   |
| $t_{COUT}$    | 1.626          | 1.703      | 2.816          | 3.224          | 3.746          | ns   |
| $t_{PLLCIN}$  | -0.137         | -0.127     | 0.115          | 0.119          | 0.134          | ns   |
| $t_{PLLCOUT}$ | -0.294         | -0.292     | -0.127         | -0.159         | -0.19          | ns   |

**Table 5–58. EP2S90 Row Pins Regional Clock Timing Parameters**

| Parameter     | Minimum Timing |            | -3 Speed Grade | -4 Speed Grade | -5 Speed Grade | Unit |
|---------------|----------------|------------|----------------|----------------|----------------|------|
|               | Industrial     | Commercial |                |                |                |      |
| $t_{CIN}$     | 1.566          | 1.638      | 2.731          | 3.124          | 3.632          | ns   |
| $t_{COUT}$    | 1.571          | 1.643      | 2.727          | 3.120          | 3.627          | ns   |
| $t_{PLLCIN}$  | -0.326         | -0.326     | -0.178         | -0.218         | -0.264         | ns   |
| $t_{PLLCOUT}$ | -0.321         | -0.321     | -0.182         | -0.222         | -0.269         | ns   |



**Table 5–59. EP2S90 Row Pins Global Clock Timing Parameters**

| Parameter     | Minimum Timing |            | -3 Speed Grade | -4 Speed Grade | -5 Speed Grade | Unit |
|---------------|----------------|------------|----------------|----------------|----------------|------|
|               | Industrial     | Commercial |                |                |                |      |
| $t_{CIN}$     | 1.585          | 1.658      | 2.757          | 3.154          | 3.665          | ns   |
| $t_{COUT}$    | 1.590          | 1.663      | 2.753          | 3.150          | 3.660          | ns   |
| $t_{PLLCIN}$  | -0.341         | -0.341     | -0.193         | -0.235         | -0.278         | ns   |
| $t_{PLLCOUT}$ | -0.336         | -0.336     | -0.197         | -0.239         | -0.283         | ns   |

**EP2S130 Clock Timing Parameters**

Tables 5–60 through 5–63 show the maximum clock timing parameters for EP2S130 devices.

**Table 5–60. EP2S130 Column Pins Regional Clock Timing Parameters**

| Parameter     | Minimum Timing |            | -3 Speed Grade | -4 Speed Grade | -5 Speed Grade | Unit |
|---------------|----------------|------------|----------------|----------------|----------------|------|
|               | Industrial     | Commercial |                |                |                |      |
| $t_{CIN}$     | 1.889          | 1.981      | 3.405          | 3.722          | 4.326          | ns   |
| $t_{COUT}$    | 1.732          | 1.816      | 3.151          | 3.444          | 4.002          | ns   |
| $t_{PLLCIN}$  | 0.105          | 0.106      | 0.226          | 0.242          | 0.277          | ns   |
| $t_{PLLCOUT}$ | -0.052         | -0.059     | -0.028         | -0.036         | -0.047         | ns   |

**Table 5–61. EP2S130 Column Pins Global Clock Timing Parameters**

| Parameter     | Minimum Timing |            | -3 Speed Grade | -4 Speed Grade | -5 Speed Grade | Unit |
|---------------|----------------|------------|----------------|----------------|----------------|------|
|               | Industrial     | Commercial |                |                |                |      |
| $t_{CIN}$     | 1.907          | 1.998      | 3.420          | 3.740          | 4.348          | ns   |
| $t_{COUT}$    | 1.750          | 1.833      | 3.166          | 3.462          | 4.024          | ns   |
| $t_{PLLCIN}$  | 0.134          | 0.136      | 0.276          | 0.296          | 0.338          | ns   |
| $t_{PLLCOUT}$ | -0.023         | -0.029     | 0.022          | 0.018          | 0.014          | ns   |

**Table 5–62. EP2S130 Row Pins Regional Clock Timing Parameters**

| Parameter     | Minimum Timing |            | -3 Speed Grade | -4 Speed Grade | -5 Speed Grade | Unit |
|---------------|----------------|------------|----------------|----------------|----------------|------|
|               | Industrial     | Commercial |                |                |                |      |
| $t_{CIN}$     | 1.680          | 1.760      | 3.070          | 3.351          | 3.892          | ns   |
| $t_{COUT}$    | 1.685          | 1.765      | 3.066          | 3.347          | 3.887          | ns   |
| $t_{PLLCIN}$  | -0.113         | -0.124     | -0.12          | -0.138         | -0.168         | ns   |
| $t_{PLLCOUT}$ | -0.108         | -0.119     | -0.124         | -0.142         | -0.173         | ns   |

**Table 5–63. EP2S130 Row Pins Global Clock Timing Parameters**

| Parameter     | Minimum Timing |            | -3 Speed Grade | -4 Speed Grade | -5 Speed Grade | Unit |
|---------------|----------------|------------|----------------|----------------|----------------|------|
|               | Industrial     | Commercial |                |                |                |      |
| $t_{CIN}$     | 1.690          | 1.770      | 3.075          | 3.362          | 3.905          | ns   |
| $t_{COUT}$    | 1.695          | 1.775      | 3.071          | 3.358          | 3.900          | ns   |
| $t_{PLLCIN}$  | -0.087         | -0.097     | -0.075         | -0.089         | -0.11          | ns   |
| $t_{PLLCOUT}$ | -0.082         | -0.092     | -0.079         | -0.093         | -0.115         | ns   |

*EP2S180 Clock Timing Parameters*

Tables 5–64 through 5–67 show the maximum clock timing parameters for EP2S180 devices.

**Table 5–64. EP2S180 Column Pins Regional Clock Timing Parameters**

| Parameter     | Minimum Timing |            | -3 Speed Grade | -4 Speed Grade | -5 Speed Grade | Unit |
|---------------|----------------|------------|----------------|----------------|----------------|------|
|               | Industrial     | Commercial |                |                |                |      |
| $t_{CIN}$     | 2.001          | 2.095      | 3.643          | 3.984          | 4.634          | ns   |
| $t_{COUT}$    | 1.844          | 1.930      | 3.389          | 3.706          | 4.310          | ns   |
| $t_{PLLCIN}$  | -0.307         | -0.297     | 0.053          | 0.046          | 0.048          | ns   |
| $t_{PLLCOUT}$ | -0.464         | -0.462     | -0.201         | -0.232         | -0.276         | ns   |

**Table 5–65. EP2S180 Column Pins Global Clock Timing Parameters**

| Parameter       | Minimum Timing |            | -3 Speed Grade | -4 Speed Grade | -5 Speed Grade | Unit |
|-----------------|----------------|------------|----------------|----------------|----------------|------|
|                 | Industrial     | Commercial |                |                |                |      |
| $t_{CIN}$       | 2.003          | 2.100      | 3.652          | 3.993          | 4.648          | ns   |
| $t_{COUT}$      | 1.846          | 1.935      | 3.398          | 3.715          | 4.324          | ns   |
| $t_{PLL\,CIN}$  | -0.3           | -0.29      | 0.053          | 0.054          | 0.058          | ns   |
| $t_{PLL\,COUT}$ | -0.457         | -0.455     | -0.201         | -0.224         | -0.266         | ns   |

**Table 5–66. EP2S180 Row Pins Regional Clock Timing Parameters**

| Parameter       | Minimum Timing |            | -3 Speed Grade | -4 Speed Grade | -5 Speed Grade | Unit |
|-----------------|----------------|------------|----------------|----------------|----------------|------|
|                 | Industrial     | Commercial |                |                |                |      |
| $t_{CIN}$       | 1.759          | 1.844      | 3.273          | 3.577          | 4.162          | ns   |
| $t_{COUT}$      | 1.764          | 1.849      | 3.269          | 3.573          | 4.157          | ns   |
| $t_{PLL\,CIN}$  | -0.542         | -0.541     | -0.317         | -0.353         | -0.414         | ns   |
| $t_{PLL\,COUT}$ | -0.537         | -0.536     | -0.321         | -0.357         | -0.419         | ns   |

**Table 5–67. EP2S180 Row Pins Global Clock Timing Parameters**

| Parameter       | Minimum Timing |            | -3 Speed Grade | -4 Speed Grade | -5 Speed Grade | Unit |
|-----------------|----------------|------------|----------------|----------------|----------------|------|
|                 | Industrial     | Commercial |                |                |                |      |
| $t_{CIN}$       | 1.763          | 1.850      | 3.285          | 3.588          | 4.176          | ns   |
| $t_{COUT}$      | 1.768          | 1.855      | 3.281          | 3.584          | 4.171          | ns   |
| $t_{PLL\,CIN}$  | -0.542         | -0.542     | -0.319         | -0.355         | -0.42          | ns   |
| $t_{PLL\,COUT}$ | -0.537         | -0.537     | -0.323         | -0.359         | -0.425         | ns   |

## Clock Network Skew Adders

The Quartus II software models skew within dedicated clock networks such as global and regional clocks. Therefore, intra-clock network skew adder is not specified. Table 5–68 specifies the clock skew between any two clock networks driving registers in the IOE.

| Name  | Description                      | Min | Typ | Max  | Unit |
|---|----------------------------------|-----|-----|------|------|
| Clock skew adder<br>EP2S15, EP2S30,<br>EP2S60 (1) | Inter-clock network, same side   |     |     | ±50  | ps   |
|   | Inter-clock network, entire chip |     |     | ±100 | ps   |
| Clock skew adder<br>EP2S90 (1)                    | Inter-clock network, same side   |     |     | ±55  | ps   |
|   | Inter-clock network, entire chip |     |     | ±110 | ps   |
| Clock skew adder<br>EP2S130 (1)                   | Inter-clock network, same side   |     |     | ±63  | ps   |
|   | Inter-clock network, entire chip |     |     | ±125 | ps   |
| Clock skew adder<br>EP2S180 (1)                   | Inter-clock network, same side   |     |     | ±75  | ps   |
|   | Inter-clock network, entire chip |     |     | ±150 | ps   |

**Note to Table 5–68:**

(1) This is in addition to intra-clock network skew, which is modeled in the Quartus II software.

## IOE Programmable Delay

See Tables 5–69 and 5–70 for IOE programmable delay.

| Parameter                                | Paths Affected                    | Available Settings | Minimum Timing (2) |                 | -3 Speed Grade (3) |                 | -4 Speed Grade  |                 | -5 Speed Grade  |                 |
|--|-----------------------------------|--------------------|--------------------|-----------------|--------------------|-----------------|-----------------|-----------------|-----------------|-----------------|
|  |                                   |                    | Min Offset (ps)    | Max Offset (ps) | Min Offset (ps)    | Max Offset (ps) | Min Offset (ps) | Max Offset (ps) | Min Offset (ps) | Max Offset (ps) |
| Input delay from pin to internal cells   | Pad to I/O dataout to logic array | 8                  | 0<br>0             | 1,696<br>1,781  | 0<br>0             | 2,881<br>3,025  | 0               | 3,313           | 0               | 3,860           |
| Input delay from pin to input register   | Pad to I/O input register         | 64                 | 0<br>0             | 1,955<br>2,053  | 0<br>0             | 3,275<br>3,439  | 0               | 3,766           | 0               | 4,388           |
| Delay from output register to output pin | I/O output register to pad        | 2                  | 0<br>0             | 316<br>332      | 0<br>0             | 500<br>525      | 0               | 575             | 0               | 670             |
| Output enable pin delay                  | $t_{xz}$ , $t_{zx}$               | 2                  | 0<br>0             | 305<br>320      | 0<br>0             | 483<br>507      | 0               | 556             | 0               | 647             |

**Notes to Table 5–69:**

- (1) The incremental values for the settings are generally linear. For the exact delay associated with each setting, use the latest version of the Quartus II software.
- (2) The first number is the minimum timing parameter for industrial devices. The second number is the minimum timing parameter for commercial devices.
- (3) The first number applies to -3 speed grade EP2S15, EP2S30, EP2S60, and EP2S90 devices. The second number applies to -3 speed grade EP2S130 and EP2S180 devices.

| Parameter                                | Paths Affected                    | Available Settings | Minimum Timing (2) |                 | -3 Speed Grade (3) |                 | -4 Speed Grade  |                 | -5 Speed Grade  |                 |
|--|-----------------------------------|--------------------|--------------------|-----------------|--------------------|-----------------|-----------------|-----------------|-----------------|-----------------|
|  |                                   |                    | Min Offset (ps)    | Max Offset (ps) | Min Offset (ps)    | Max Offset (ps) | Min Offset (ps) | Max Offset (ps) | Min Offset (ps) | Max Offset (ps) |
| Input delay from pin to internal cells   | Pad to I/O dataout to logic array | 8                  | 0<br>0             | 1,697<br>1,782  | 0<br>0             | 2,876<br>3,020  | 0               | 3,308           | 0               | 3,853           |
| Input delay from pin to input register   | Pad to I/O input register         | 64                 | 0<br>0             | 1,956<br>2,054  | 0<br>0             | 3,270<br>3,434  | 0               | 3,761           | 0               | 4,381           |
| Delay from output register to output pin | I/O output register to pad        | 2                  | 0<br>0             | 316<br>332      | 0<br>0             | 525<br>525      | 0               | 575             | 0               | 670             |
| Output enable pin delay                  | $t_{xz}$ , $t_{zx}$               | 2                  | 0<br>0             | 305<br>320      | 0<br>0             | 507<br>507      | 0               | 556             | 0               | 647             |

**Notes to Table 5–70:**

- (1) The incremental values for the settings are generally linear. For the exact delay associated with each setting, use the latest version of the Quartus II software.
- (2) The first number is the minimum timing parameter for industrial devices. The second number is the minimum timing parameter for commercial devices.
- (3) The first number applies to -3 speed grade EP2S15, EP2S30, EP2S60, and EP2S90 devices. The second number applies to -3 speed grade EP2S130 and EP2S180 devices.

## Default Capacitive Loading of Different I/O Standards

See [Table 5–71](#) for default capacitive loading of different I/O standards.

| I/O Standard   | Capacitive Load | Unit |
|----------------|-----------------|------|
| LVTTTL         | 0               | pF   |
| LVC MOS        | 0               | pF   |
| 2.5 V          | 0               | pF   |
| 1.8 V          | 0               | pF   |
| 1.5 V          | 0               | pF   |
| PCI            | 10              | pF   |
| PCI-X          | 10              | pF   |
| SSTL-2 Class I | 0               | pF   |

**Table 5–71. Default Loading of Different I/O Standards for Stratix II (Part 2 of 2)**

| I/O Standard                     | Capacitive Load | Unit |
|----------------------------------|-----------------|------|
| SSTL-2 Class II                  | 0               | pF   |
| SSTL-18 Class I                  | 0               | pF   |
| SSTL-18 Class II                 | 0               | pF   |
| 1.5-V HSTL Class I               | 0               | pF   |
| 1.5-V HSTL Class II              | 0               | pF   |
| 1.8-V HSTL Class I               | 0               | pF   |
| 1.8-V HSTL Class II              | 0               | pF   |
| 1.2-V HSTL with OCT              | 0               | pF   |
| Differential SSTL-2 Class I      | 0               | pF   |
| Differential SSTL-2 Class II     | 0               | pF   |
| Differential SSTL-18 Class I     | 0               | pF   |
| Differential SSTL-18 Class II    | 0               | pF   |
| 1.5-V Differential HSTL Class I  | 0               | pF   |
| 1.5-V Differential HSTL Class II | 0               | pF   |
| 1.8-V Differential HSTL Class I  | 0               | pF   |
| 1.8-V Differential HSTL Class II | 0               | pF   |
| LVDS                             | 0               | pF   |
| HyperTransport                   | 0               | pF   |
| LVPECL                           | 0               | pF   |

## I/O Delays

See [Tables 5-72](#) through [5-76](#) for I/O delays.

**Table 5-72. I/O Delay Parameters**

| Symbol      | Parameter                                    |
|-------------|--|
| $t_{DIP}$   | Delay from I/O datain to output pad          |
| $t_{OP}$    | Delay from I/O output register to output pad |
| $t_{PCOUT}$ | Delay from input pad to I/O dataout to core  |
| $t_{PI}$    | Delay from input pad to I/O input register   |

**Table 5-73. Stratix II I/O Input Delay for Column Pins (Part 1 of 3)**

| I/O Standard       | Parameter   | Minimum Timing |            | -3 Speed Grade<br>(2) | -3 Speed Grade<br>(3) | -4 Speed Grade | -5 Speed Grade | Unit |
|--------------------|-------------|----------------|------------|-----------------------|-----------------------|----------------|----------------|------|
|                    |             | Industrial     | Commercial |                       |                       |                |                |      |
| LVTTTL             | $t_{PI}$    | 674            | 707        | 1223                  | 1282                  | 1405           | 1637           | ps   |
|                    | $t_{PCOUT}$ | 408            | 428        | 787                   | 825                   | 904            | 1054           | ps   |
| 2.5 V              | $t_{PI}$    | 684            | 717        | 1210                  | 1269                  | 1390           | 1619           | ps   |
|                    | $t_{PCOUT}$ | 418            | 438        | 774                   | 812                   | 889            | 1036           | ps   |
| 1.8 V              | $t_{PI}$    | 747            | 783        | 1366                  | 1433                  | 1570           | 1829           | ps   |
|                    | $t_{PCOUT}$ | 481            | 504        | 930                   | 976                   | 1069           | 1246           | ps   |
| 1.5 V              | $t_{PI}$    | 749            | 786        | 1436                  | 1506                  | 1650           | 1922           | ps   |
|                    | $t_{PCOUT}$ | 483            | 507        | 1000                  | 1049                  | 1149           | 1339           | ps   |
| LVCMOS             | $t_{PI}$    | 674            | 707        | 1223                  | 1282                  | 1405           | 1637           | ps   |
|                    | $t_{PCOUT}$ | 408            | 428        | 787                   | 825                   | 904            | 1054           | ps   |
| SSTL-2 Class I     | $t_{PI}$    | 507            | 530        | 818                   | 857                   | 939            | 1094           | ps   |
|                    | $t_{PCOUT}$ | 241            | 251        | 382                   | 400                   | 438            | 511            | ps   |
| SSTL-2 Class II    | $t_{PI}$    | 507            | 530        | 818                   | 857                   | 939            | 1094           | ps   |
|                    | $t_{PCOUT}$ | 241            | 251        | 382                   | 400                   | 438            | 511            | ps   |
| SSTL-18 Class I    | $t_{PI}$    | 543            | 569        | 898                   | 941                   | 1031           | 1201           | ps   |
|                    | $t_{PCOUT}$ | 277            | 290        | 462                   | 484                   | 530            | 618            | ps   |
| SSTL-18 Class II   | $t_{PI}$    | 543            | 569        | 898                   | 941                   | 1031           | 1201           | ps   |
|                    | $t_{PCOUT}$ | 277            | 290        | 462                   | 484                   | 530            | 618            | ps   |
| 1.5-V HSTL Class I | $t_{PI}$    | 560            | 587        | 993                   | 1041                  | 1141           | 1329           | ps   |
|                    | $t_{PCOUT}$ | 294            | 308        | 557                   | 584                   | 640            | 746            | ps   |



**Table 5–73. Stratix II I/O Input Delay for Column Pins (Part 2 of 3)**

| I/O Standard                         | Parameter   | Minimum Timing |            | -3 Speed Grade<br>(2) | -3 Speed Grade<br>(3) | -4 Speed Grade | -5 Speed Grade | Unit |
|--------------------------------------|-------------|----------------|------------|-----------------------|-----------------------|----------------|----------------|------|
|                                      |             | Industrial     | Commercial |                       |                       |                |                |      |
| 1.5-V HSTL Class II                  | $t_{PI}$    | 560            | 587        | 993                   | 1041                  | 1141           | 1329           | ps   |
|                                      | $t_{PCOUT}$ | 294            | 308        | 557                   | 584                   | 640            | 746            | ps   |
| 1.8-V HSTL Class I                   | $t_{PI}$    | 543            | 569        | 898                   | 941                   | 1031           | 1201           | ps   |
|                                      | $t_{PCOUT}$ | 277            | 290        | 462                   | 484                   | 530            | 618            | ps   |
| 1.8-V HSTL Class II                  | $t_{PI}$    | 543            | 569        | 898                   | 941                   | 1031           | 1201           | ps   |
|                                      | $t_{PCOUT}$ | 277            | 290        | 462                   | 484                   | 530            | 618            | ps   |
| PCI                                  | $t_{PI}$    | 679            | 712        | 1214                  | 1273                  | 1395           | 1625           | ps   |
|                                      | $t_{PCOUT}$ | 413            | 433        | 778                   | 816                   | 894            | 1042           | ps   |
| PCI-X                                | $t_{PI}$    | 679            | 712        | 1214                  | 1273                  | 1395           | 1625           | ps   |
|                                      | $t_{PCOUT}$ | 413            | 433        | 778                   | 816                   | 894            | 1042           | ps   |
| Differential SSTL-2 Class I (1)      | $t_{PI}$    | 507            | 530        | 818                   | 857                   | 939            | 1094           | ps   |
|                                      | $t_{PCOUT}$ | 241            | 251        | 382                   | 400                   | 438            | 511            | ps   |
| Differential SSTL-2 Class II (1)     | $t_{PI}$    | 507            | 530        | 818                   | 857                   | 939            | 1094           | ps   |
|                                      | $t_{PCOUT}$ | 241            | 251        | 382                   | 400                   | 438            | 511            | ps   |
| Differential SSTL-18 Class I (1)     | $t_{PI}$    | 543            | 569        | 898                   | 941                   | 1031           | 1201           | ps   |
|                                      | $t_{PCOUT}$ | 277            | 290        | 462                   | 484                   | 530            | 618            | ps   |
| Differential SSTL-18 Class II (1)    | $t_{PI}$    | 543            | 569        | 898                   | 941                   | 1031           | 1201           | ps   |
|                                      | $t_{PCOUT}$ | 277            | 290        | 462                   | 484                   | 530            | 618            | ps   |
| 1.8-V Differential HSTL Class I (1)  | $t_{PI}$    | 543            | 569        | 898                   | 941                   | 1031           | 1201           | ps   |
|                                      | $t_{PCOUT}$ | 277            | 290        | 462                   | 484                   | 530            | 618            | ps   |
| 1.8-V Differential HSTL Class II (1) | $t_{PI}$    | 543            | 569        | 898                   | 941                   | 1031           | 1201           | ps   |
|                                      | $t_{PCOUT}$ | 277            | 290        | 462                   | 484                   | 530            | 618            | ps   |
| 1.5-V Differential HSTL Class I (1)  | $t_{PI}$    | 560            | 587        | 993                   | 1041                  | 1141           | 1329           | ps   |
|                                      | $t_{PCOUT}$ | 294            | 308        | 557                   | 584                   | 640            | 746            | ps   |
| 1.5-V Differential HSTL Class II (1) | $t_{PI}$    | 560            | 587        | 993                   | 1041                  | 1141           | 1329           | ps   |
|                                      | $t_{PCOUT}$ | 294            | 308        | 557                   | 584                   | 640            | 746            | ps   |

**Table 5–73. Stratix II I/O Input Delay for Column Pins (Part 3 of 3)**

| I/O Standard | Parameter   | Minimum Timing |            | -3 Speed Grade | -3 Speed Grade | -4 Speed Grade | -5 Speed Grade | Unit |
|--------------|-------------|----------------|------------|----------------|----------------|----------------|----------------|------|
|              |             | Industrial     | Commercial | (2)            | (3)            |                |                |      |
| 1.2-V HSTL   | $t_{PI}$    | 645            | 677        | 1194           | 1252           | -              | -              | ps   |
|              | $t_{PCOUT}$ | 379            | 398        | 758            | 795            | -              | -              | ps   |

**Notes for Table 5–73:**

- (1) These I/O standards are only supported on DQS pins.
- (2) These numbers apply to -3 speed grade EP2S15, EP2S30, EP2S60, and EP2S90 devices.
- (3) These numbers apply to -3 speed grade EP2S130 and EP2S180 devices.

**Table 5–74. Stratix II I/O Input Delay for Row Pins (Part 1 of 2)**

| I/O Standard       | Parameter   | Minimum Timing |            | -3 Speed Grade | -3 Speed Grade | -4 Speed Grade | -5 Speed Grade | Unit |
|--------------------|-------------|----------------|------------|----------------|----------------|----------------|----------------|------|
|                    |             | Industrial     | Commercial | (1)            | (2)            |                |                |      |
| LVTTTL             | $t_{PI}$    | 715            | 749        | 1287           | 1350           | 1477           | 1723           | ps   |
|                    | $t_{PCOUT}$ | 391            | 410        | 760            | 798            | 873            | 1018           | ps   |
| 2.5 V              | $t_{PI}$    | 726            | 761        | 1273           | 1335           | 1461           | 1704           | ps   |
|                    | $t_{PCOUT}$ | 402            | 422        | 746            | 783            | 857            | 999            | ps   |
| 1.8 V              | $t_{PI}$    | 788            | 827        | 1427           | 1497           | 1639           | 1911           | ps   |
|                    | $t_{PCOUT}$ | 464            | 488        | 900            | 945            | 1035           | 1206           | ps   |
| 1.5 V              | $t_{PI}$    | 792            | 830        | 1498           | 1571           | 1720           | 2006           | ps   |
|                    | $t_{PCOUT}$ | 468            | 491        | 971            | 1019           | 1116           | 1301           | ps   |
| LVCMOS             | $t_{PI}$    | 715            | 749        | 1287           | 1350           | 1477           | 1723           | ps   |
|                    | $t_{PCOUT}$ | 391            | 410        | 760            | 798            | 873            | 1018           | ps   |
| SSTL-2 Class I     | $t_{PI}$    | 547            | 573        | 879            | 921            | 1008           | 1176           | ps   |
|                    | $t_{PCOUT}$ | 223            | 234        | 352            | 369            | 404            | 471            | ps   |
| SSTL-2 Class II    | $t_{PI}$    | 547            | 573        | 879            | 921            | 1008           | 1176           | ps   |
|                    | $t_{PCOUT}$ | 223            | 234        | 352            | 369            | 404            | 471            | ps   |
| SSTL-18 Class I    | $t_{PI}$    | 577            | 605        | 960            | 1006           | 1101           | 1285           | ps   |
|                    | $t_{PCOUT}$ | 253            | 266        | 433            | 454            | 497            | 580            | ps   |
| SSTL-18 Class II   | $t_{PI}$    | 577            | 605        | 960            | 1006           | 1101           | 1285           | ps   |
|                    | $t_{PCOUT}$ | 253            | 266        | 433            | 454            | 497            | 580            | ps   |
| 1.5-V HSTL Class I | $t_{PI}$    | 602            | 631        | 1056           | 1107           | 1212           | 1413           | ps   |
|                    | $t_{PCOUT}$ | 278            | 292        | 529            | 555            | 608            | 708            | ps   |

**Table 5–74. Stratix II I/O Input Delay for Row Pins (Part 2 of 2)**

| I/O Standard        | Parameter   | Minimum Timing |            | -3 Speed Grade<br>(1) | -3 Speed Grade<br>(2) | -4 Speed Grade | -5 Speed Grade | Unit |
|---------------------|-------------|----------------|------------|-----------------------|-----------------------|----------------|----------------|------|
|                     |             | Industrial     | Commercial |                       |                       |                |                |      |
| 1.5-V HSTL Class II | $t_{PI}$    | 602            | 631        | 1056                  | 1107                  | 1212           | 1413           | ps   |
|                     | $t_{PCOUT}$ | 278            | 292        | 529                   | 555                   | 608            | 708            | ps   |
| 1.8-V HSTL Class I  | $t_{PI}$    | 577            | 605        | 960                   | 1006                  | 1101           | 1285           | ps   |
|                     | $t_{PCOUT}$ | 253            | 266        | 433                   | 454                   | 497            | 580            | ps   |
| 1.8-V HSTL Class II | $t_{PI}$    | 577            | 605        | 960                   | 1006                  | 1101           | 1285           | ps   |
|                     | $t_{PCOUT}$ | 253            | 266        | 433                   | 454                   | 497            | 580            | ps   |
| LVDS                | $t_{PI}$    | 515            | 540        | 948                   | 994                   | 1088           | 1269           | ps   |
|                     | $t_{PCOUT}$ | 191            | 201        | 421                   | 442                   | 484            | 564            | ps   |
| HyperTransport      | $t_{PI}$    | 515            | 540        | 948                   | 994                   | 1088           | 1269           | ps   |
|                     | $t_{PCOUT}$ | 191            | 201        | 421                   | 442                   | 484            | 564            | ps   |

**Notes for Table 5–74:**

- (1) These numbers apply to -3 speed grade EP2S15, EP2S30, EP2S60, and EP2S90 devices.  
(2) These numbers apply to -3 speed grade EP2S130 and EP2S180 devices.

**Table 5–75. Stratix II I/O Output Delay for Column Pins (Part 1 of 8)**

| I/O Standard | Drive Strength | Parameter | Minimum Timing |            | -3 Speed Grade<br>(3) | -3 Speed Grade<br>(4) | -4 Speed Grade | -5 Speed Grade | Unit |
|--------------|----------------|-----------|----------------|------------|-----------------------|-----------------------|----------------|----------------|------|
|              |                |           | Industrial     | Commercial |                       |                       |                |                |      |
| LVTTL        | 4 mA           | $t_{OP}$  | 1178           | 1236       | 2351                  | 2467                  | 2702           | 2820           | ps   |
|              |                | $t_{DIP}$ | 1198           | 1258       | 2417                  | 2537                  | 2778           | 2910           | ps   |
|              | 8 mA           | $t_{OP}$  | 1041           | 1091       | 2036                  | 2136                  | 2340           | 2448           | ps   |
|              |                | $t_{DIP}$ | 1061           | 1113       | 2102                  | 2206                  | 2416           | 2538           | ps   |
|              | 12 mA          | $t_{OP}$  | 976            | 1024       | 2036                  | 2136                  | 2340           | 2448           | ps   |
|              |                | $t_{DIP}$ | 996            | 1046       | 2102                  | 2206                  | 2416           | 2538           | ps   |
|              | 16 mA          | $t_{OP}$  | 951            | 998        | 1893                  | 1986                  | 2176           | 2279           | ps   |
|              |                | $t_{DIP}$ | 971            | 1020       | 1959                  | 2056                  | 2252           | 2369           | ps   |
|              | 20 mA          | $t_{OP}$  | 931            | 976        | 1787                  | 1875                  | 2054           | 2154           | ps   |
|              |                | $t_{DIP}$ | 951            | 998        | 1853                  | 1945                  | 2130           | 2244           | ps   |
|              | 24 mA<br>(1)   | $t_{OP}$  | 924            | 969        | 1788                  | 1876                  | 2055           | 2156           | ps   |
|              |                | $t_{DIP}$ | 944            | 991        | 1854                  | 1946                  | 2131           | 2246           | ps   |

Table 5–75. Stratix II I/O Output Delay for Column Pins (Part 2 of 8)

| I/O Standard | Drive Strength | Parameter | Minimum Timing |            | -3 Speed Grade<br>(3) | -3 Speed Grade<br>(4) | -4 Speed Grade | -5 Speed Grade | Unit |    |
|--------------|----------------|-----------|----------------|------------|-----------------------|-----------------------|----------------|----------------|------|----|
|              |                |           | Industrial     | Commercial |                       |                       |                |                |      |    |
| LVCMOS       | 4 mA           | $t_{OP}$  | 1041           | 1091       | 2036                  | 2136                  | 2340           | 2448           | ps   |    |
|              |                | $t_{DIP}$ | 1061           | 1113       | 2102                  | 2206                  | 2416           | 2538           | ps   |    |
|              | 8 mA           | $t_{OP}$  | 952            | 999        | 1786                  | 1874                  | 2053           | 2153           | ps   |    |
|              |                | $t_{DIP}$ | 972            | 1021       | 1852                  | 1944                  | 2129           | 2243           | ps   |    |
|              | 12 mA          | $t_{OP}$  | 926            | 971        | 1720                  | 1805                  | 1977           | 2075           | ps   |    |
|              |                | $t_{DIP}$ | 946            | 993        | 1786                  | 1875                  | 2053           | 2165           | ps   |    |
|              | 16 mA          | $t_{OP}$  | 933            | 978        | 1693                  | 1776                  | 1946           | 2043           | ps   |    |
|              |                | $t_{DIP}$ | 953            | 1000       | 1759                  | 1846                  | 2022           | 2133           | ps   |    |
|              | 20 mA          | $t_{OP}$  | 921            | 965        | 1677                  | 1759                  | 1927           | 2025           | ps   |    |
|              |                | $t_{DIP}$ | 941            | 987        | 1743                  | 1829                  | 2003           | 2115           | ps   |    |
|              | 24 mA<br>(1)   | $t_{OP}$  | 909            | 954        | 1659                  | 1741                  | 1906           | 2003           | ps   |    |
|              |                | $t_{DIP}$ | 929            | 976        | 1725                  | 1811                  | 1982           | 2093           | ps   |    |
|              | 2.5 V          | 4 mA      | $t_{OP}$       | 1004       | 1053                  | 2063                  | 2165           | 2371           | 2480 | ps |
|              |                |           | $t_{DIP}$      | 1024       | 1075                  | 2129                  | 2235           | 2447           | 2570 | ps |
| 8 mA         |                | $t_{OP}$  | 955            | 1001       | 1841                  | 1932                  | 2116           | 2218           | ps   |    |
|              |                | $t_{DIP}$ | 975            | 1023       | 1907                  | 2002                  | 2192           | 2308           | ps   |    |
| 12 mA        |                | $t_{OP}$  | 934            | 980        | 1742                  | 1828                  | 2002           | 2101           | ps   |    |
|              |                | $t_{DIP}$ | 954            | 1002       | 1808                  | 1898                  | 2078           | 2191           | ps   |    |
| 16 mA<br>(1) |                | $t_{OP}$  | 918            | 962        | 1679                  | 1762                  | 1929           | 2027           | ps   |    |
|              |                | $t_{DIP}$ | 938            | 984        | 1745                  | 1832                  | 2005           | 2117           | ps   |    |

Table 5–75. Stratix II I/O Output Delay for Column Pins (Part 3 of 8)

| I/O Standard    | Drive Strength | Parameter        | Minimum Timing   |            | -3 Speed Grade<br>(3) | -3 Speed Grade<br>(4) | -4 Speed Grade | -5 Speed Grade | Unit |    |
|-----------------|----------------|------------------|------------------|------------|-----------------------|-----------------------|----------------|----------------|------|----|
|                 |                |                  | Industrial       | Commercial |                       |                       |                |                |      |    |
| 1.8 V           | 2 mA           | t <sub>OP</sub>  | 1042             | 1093       | 2904                  | 3048                  | 3338           | 3472           | ps   |    |
|                 |                | t <sub>DIP</sub> | 1062             | 1115       | 2970                  | 3118                  | 3414           | 3562           | ps   |    |
|                 | 4 mA           | t <sub>OP</sub>  | 1047             | 1098       | 2248                  | 2359                  | 2584           | 2698           | ps   |    |
|                 |                | t <sub>DIP</sub> | 1067             | 1120       | 2314                  | 2429                  | 2660           | 2788           | ps   |    |
|                 | 6 mA           | t <sub>OP</sub>  | 974              | 1022       | 2024                  | 2124                  | 2326           | 2434           | ps   |    |
|                 |                | t <sub>DIP</sub> | 994              | 1044       | 2090                  | 2194                  | 2402           | 2524           | ps   |    |
|                 | 8 mA           | t <sub>OP</sub>  | 976              | 1024       | 1947                  | 2043                  | 2238           | 2343           | ps   |    |
|                 |                | t <sub>DIP</sub> | 996              | 1046       | 2013                  | 2113                  | 2314           | 2433           | ps   |    |
|                 | 10 mA          | t <sub>OP</sub>  | 933              | 978        | 1882                  | 1975                  | 2163           | 2266           | ps   |    |
|                 |                | t <sub>DIP</sub> | 953              | 1000       | 1948                  | 2045                  | 2239           | 2356           | ps   |    |
|                 | 12 mA<br>(1)   | t <sub>OP</sub>  | 934              | 979        | 1833                  | 1923                  | 2107           | 2209           | ps   |    |
|                 |                | t <sub>DIP</sub> | 954              | 1001       | 1899                  | 1993                  | 2183           | 2299           | ps   |    |
|                 | 1.5 V          | 2 mA             | t <sub>OP</sub>  | 1023       | 1073                  | 2505                  | 2629           | 2879           | 3002 | ps |
|                 |                |                  | t <sub>DIP</sub> | 1043       | 1095                  | 2571                  | 2699           | 2955           | 3092 | ps |
| 4 mA            |                | t <sub>OP</sub>  | 963              | 1009       | 2023                  | 2123                  | 2325           | 2433           | ps   |    |
|                 |                | t <sub>DIP</sub> | 983              | 1031       | 2089                  | 2193                  | 2401           | 2523           | ps   |    |
| 6 mA            |                | t <sub>OP</sub>  | 966              | 1012       | 1923                  | 2018                  | 2210           | 2315           | ps   |    |
|                 |                | t <sub>DIP</sub> | 986              | 1034       | 1989                  | 2088                  | 2286           | 2405           | ps   |    |
| 8 mA (1)        |                | t <sub>OP</sub>  | 926              | 971        | 1878                  | 1970                  | 2158           | 2262           | ps   |    |
|                 |                | t <sub>DIP</sub> | 946              | 993        | 1944                  | 2040                  | 2234           | 2352           | ps   |    |
| SSTL-2 Class I  |                | 8 mA             | t <sub>OP</sub>  | 913        | 957                   | 1715                  | 1799           | 1971           | 2041 | ps |
|                 |                |                  | t <sub>DIP</sub> | 933        | 979                   | 1781                  | 1869           | 2047           | 2131 | ps |
|                 | 12 mA<br>(1)   | t <sub>OP</sub>  | 896              | 940        | 1672                  | 1754                  | 1921           | 1991           | ps   |    |
|                 |                | t <sub>DIP</sub> | 916              | 962        | 1738                  | 1824                  | 1997           | 2081           | ps   |    |
| SSTL-2 Class II | 16 mA          | t <sub>OP</sub>  | 876              | 918        | 1609                  | 1688                  | 1849           | 1918           | ps   |    |
|                 |                | t <sub>DIP</sub> | 896              | 940        | 1675                  | 1758                  | 1925           | 2008           | ps   |    |
|                 | 20 mA          | t <sub>OP</sub>  | 877              | 919        | 1598                  | 1676                  | 1836           | 1905           | ps   |    |
|                 |                | t <sub>DIP</sub> | 897              | 941        | 1664                  | 1746                  | 1912           | 1995           | ps   |    |
|                 | 24 mA<br>(1)   | t <sub>OP</sub>  | 872              | 915        | 1596                  | 1674                  | 1834           | 1903           | ps   |    |
|                 |                | t <sub>DIP</sub> | 892              | 937        | 1662                  | 1744                  | 1910           | 1993           | ps   |    |

Table 5–75. Stratix II I/O Output Delay for Column Pins (Part 4 of 8)

| I/O Standard       | Drive Strength   | Parameter        | Minimum Timing   |            | -3 Speed Grade<br>(3) | -3 Speed Grade<br>(4) | -4 Speed Grade | -5 Speed Grade | Unit |    |
|--------------------|------------------|------------------|------------------|------------|-----------------------|-----------------------|----------------|----------------|------|----|
|                    |                  |                  | Industrial       | Commercial |                       |                       |                |                |      |    |
| SSTL-18 Class I    | 4 mA             | t <sub>OP</sub>  | 909              | 953        | 1690                  | 1773                  | 1942           | 2012           | ps   |    |
|                    |                  | t <sub>DIP</sub> | 929              | 975        | 1756                  | 1843                  | 2018           | 2102           | ps   |    |
|                    | 6 mA             | t <sub>OP</sub>  | 914              | 958        | 1656                  | 1737                  | 1903           | 1973           | ps   |    |
|                    |                  | t <sub>DIP</sub> | 934              | 980        | 1722                  | 1807                  | 1979           | 2063           | ps   |    |
|                    | 8 mA             | t <sub>OP</sub>  | 894              | 937        | 1640                  | 1721                  | 1885           | 1954           | ps   |    |
|                    |                  | t <sub>DIP</sub> | 914              | 959        | 1706                  | 1791                  | 1961           | 2044           | ps   |    |
|                    | 10 mA            | t <sub>OP</sub>  | 898              | 942        | 1638                  | 1718                  | 1882           | 1952           | ps   |    |
|                    |                  | t <sub>DIP</sub> | 918              | 964        | 1704                  | 1788                  | 1958           | 2042           | ps   |    |
|                    | 12 mA<br>(1)     | t <sub>OP</sub>  | 891              | 936        | 1626                  | 1706                  | 1869           | 1938           | ps   |    |
|                    |                  | t <sub>DIP</sub> | 911              | 958        | 1692                  | 1776                  | 1945           | 2028           | ps   |    |
|                    | SSTL-18 Class II | 8 mA             | t <sub>OP</sub>  | 883        | 925                   | 1597                  | 1675           | 1835           | 1904 | ps |
|                    |                  |                  | t <sub>DIP</sub> | 903        | 947                   | 1663                  | 1745           | 1911           | 1994 | ps |
| 16 mA              |                  | t <sub>OP</sub>  | 894              | 937        | 1578                  | 1655                  | 1813           | 1882           | ps   |    |
|                    |                  | t <sub>DIP</sub> | 914              | 959        | 1644                  | 1725                  | 1889           | 1972           | ps   |    |
| 18 mA              |                  | t <sub>OP</sub>  | 890              | 933        | 1585                  | 1663                  | 1821           | 1890           | ps   |    |
|                    |                  | t <sub>DIP</sub> | 910              | 955        | 1651                  | 1733                  | 1897           | 1980           | ps   |    |
| 20 mA<br>(1)       |                  | t <sub>OP</sub>  | 890              | 933        | 1583                  | 1661                  | 1819           | 1888           | ps   |    |
|                    |                  | t <sub>DIP</sub> | 910              | 955        | 1649                  | 1731                  | 1895           | 1978           | ps   |    |
| 1.8-V HSTL Class I |                  | 4 mA             | t <sub>OP</sub>  | 912        | 956                   | 1608                  | 1687           | 1848           | 1943 | ps |
|                    |                  |                  | t <sub>DIP</sub> | 932        | 978                   | 1674                  | 1757           | 1924           | 2033 | ps |
|                    | 6 mA             | t <sub>OP</sub>  | 917              | 962        | 1595                  | 1673                  | 1833           | 1928           | ps   |    |
|                    |                  | t <sub>DIP</sub> | 937              | 984        | 1661                  | 1743                  | 1909           | 2018           | ps   |    |
|                    | 8 mA             | t <sub>OP</sub>  | 896              | 940        | 1586                  | 1664                  | 1823           | 1917           | ps   |    |
|                    |                  | t <sub>DIP</sub> | 916              | 962        | 1652                  | 1734                  | 1899           | 2007           | ps   |    |
|                    | 10 mA            | t <sub>OP</sub>  | 900              | 944        | 1591                  | 1669                  | 1828           | 1923           | ps   |    |
|                    |                  | t <sub>DIP</sub> | 920              | 966        | 1657                  | 1739                  | 1904           | 2013           | ps   |    |
|                    | 12 mA<br>(1)     | t <sub>OP</sub>  | 892              | 936        | 1585                  | 1663                  | 1821           | 1916           | ps   |    |
|                    |                  | t <sub>DIP</sub> | 912              | 958        | 1651                  | 1733                  | 1897           | 2006           | ps   |    |

Table 5–75. Stratix II I/O Output Delay for Column Pins (Part 5 of 8)

| I/O Standard        | Drive Strength      | Parameter | Minimum Timing |            | -3 Speed Grade<br>(3) | -3 Speed Grade<br>(4) | -4 Speed Grade | -5 Speed Grade | Unit |    |
|---------------------|---------------------|-----------|----------------|------------|-----------------------|-----------------------|----------------|----------------|------|----|
|                     |                     |           | Industrial     | Commercial |                       |                       |                |                |      |    |
| 1.8-V HSTL Class II | 16 mA               | $t_{OP}$  | 877            | 919        | 1385                  | 1453                  | 1591           | 1680           | ps   |    |
|                     |                     | $t_{DIP}$ | 897            | 941        | 1451                  | 1523                  | 1667           | 1770           | ps   |    |
|                     | 18 mA               | $t_{OP}$  | 879            | 921        | 1394                  | 1462                  | 1602           | 1691           | ps   |    |
|                     |                     | $t_{DIP}$ | 899            | 943        | 1460                  | 1532                  | 1678           | 1781           | ps   |    |
|                     | 20 mA<br>(1)        | $t_{OP}$  | 879            | 921        | 1402                  | 1471                  | 1611           | 1700           | ps   |    |
|                     |                     | $t_{DIP}$ | 899            | 943        | 1468                  | 1541                  | 1687           | 1790           | ps   |    |
| 1.5-V HSTL Class I  | 4 mA                | $t_{OP}$  | 912            | 956        | 1607                  | 1686                  | 1847           | 1942           | ps   |    |
|                     |                     | $t_{DIP}$ | 932            | 978        | 1673                  | 1756                  | 1923           | 2032           | ps   |    |
|                     | 6 mA                | $t_{OP}$  | 917            | 961        | 1588                  | 1666                  | 1825           | 1920           | ps   |    |
|                     |                     | $t_{DIP}$ | 937            | 983        | 1654                  | 1736                  | 1901           | 2010           | ps   |    |
|                     | 8 mA                | $t_{OP}$  | 899            | 943        | 1590                  | 1668                  | 1827           | 1922           | ps   |    |
|                     |                     | $t_{DIP}$ | 919            | 965        | 1656                  | 1738                  | 1903           | 2012           | ps   |    |
|                     | 10 mA               | $t_{OP}$  | 900            | 943        | 1592                  | 1670                  | 1829           | 1924           | ps   |    |
|                     |                     | $t_{DIP}$ | 920            | 965        | 1658                  | 1740                  | 1905           | 2014           | ps   |    |
|                     | 12 mA<br>(1)        | $t_{OP}$  | 893            | 937        | 1590                  | 1668                  | 1827           | 1922           | ps   |    |
|                     |                     | $t_{DIP}$ | 913            | 959        | 1656                  | 1738                  | 1903           | 2012           | ps   |    |
|                     | 1.5-V HSTL Class II | 16 mA     | $t_{OP}$       | 881        | 924                   | 1431                  | 1501           | 1644           | 1734 | ps |
|                     |                     |           | $t_{DIP}$      | 901        | 946                   | 1497                  | 1571           | 1720           | 1824 | ps |
| 18 mA               |                     | $t_{OP}$  | 884            | 927        | 1439                  | 1510                  | 1654           | 1744           | ps   |    |
|                     |                     | $t_{DIP}$ | 904            | 949        | 1505                  | 1580                  | 1730           | 1834           | ps   |    |
| 20 mA<br>(1)        |                     | $t_{OP}$  | 886            | 929        | 1450                  | 1521                  | 1666           | 1757           | ps   |    |
|                     |                     | $t_{DIP}$ | 906            | 951        | 1516                  | 1591                  | 1742           | 1847           | ps   |    |
| 1.2-V HSTL          |                     | $t_{OP}$  | 958            | 1004       | 1602                  | 1681                  | -              | -              | ps   |    |
|                     |                     | $t_{DIP}$ | 978            | 1026       | 1668                  | 1751                  | -              | -              | ps   |    |
| PCI                 |                     | $t_{OP}$  | 1028           | 1082       | 1956                  | 2051                  | 2244           | 2070           | ps   |    |
|                     |                     | $t_{DIP}$ | 1048           | 1104       | 2022                  | 2121                  | 2320           | 2160           | ps   |    |
| PCI-X               |                     | $t_{OP}$  | 1028           | 1082       | 1956                  | 2051                  | 2244           | 2070           | ps   |    |
|                     |                     | $t_{DIP}$ | 1048           | 1104       | 2022                  | 2121                  | 2320           | 2160           | ps   |    |

Table 5–75. Stratix II I/O Output Delay for Column Pins (Part 6 of 8)

| I/O Standard                 | Drive Strength                | Parameter | Minimum Timing |            | -3 Speed Grade<br>(3) | -3 Speed Grade<br>(4) | -4 Speed Grade | -5 Speed Grade | Unit |    |
|------------------------------|-------------------------------|-----------|----------------|------------|-----------------------|-----------------------|----------------|----------------|------|----|
|                              |                               |           | Industrial     | Commercial |                       |                       |                |                |      |    |
| Differential SSTL-2 Class I  | 8 mA                          | $t_{OP}$  | 913            | 957        | 1715                  | 1799                  | 1971           | 2041           | ps   |    |
|                              |                               | $t_{DIP}$ | 933            | 979        | 1781                  | 1869                  | 2047           | 2131           | ps   |    |
|                              | 12 mA                         | $t_{OP}$  | 896            | 940        | 1672                  | 1754                  | 1921           | 1991           | ps   |    |
|                              |                               | $t_{DIP}$ | 916            | 962        | 1738                  | 1824                  | 1997           | 2081           | ps   |    |
| Differential SSTL-2 Class II | 16 mA                         | $t_{OP}$  | 876            | 918        | 1609                  | 1688                  | 1849           | 1918           | ps   |    |
|                              |                               | $t_{DIP}$ | 896            | 940        | 1675                  | 1758                  | 1925           | 2008           | ps   |    |
|                              | 20 mA                         | $t_{OP}$  | 877            | 919        | 1598                  | 1676                  | 1836           | 1905           | ps   |    |
|                              |                               | $t_{DIP}$ | 897            | 941        | 1664                  | 1746                  | 1912           | 1995           | ps   |    |
|                              | 24 mA                         | $t_{OP}$  | 872            | 915        | 1596                  | 1674                  | 1834           | 1903           | ps   |    |
|                              |                               | $t_{DIP}$ | 892            | 937        | 1662                  | 1744                  | 1910           | 1993           | ps   |    |
| Differential SSTL-18 Class I | 4 mA                          | $t_{OP}$  | 909            | 953        | 1690                  | 1773                  | 1942           | 2012           | ps   |    |
|                              |                               | $t_{DIP}$ | 929            | 975        | 1756                  | 1843                  | 2018           | 2102           | ps   |    |
|                              | 6 mA                          | $t_{OP}$  | 914            | 958        | 1656                  | 1737                  | 1903           | 1973           | ps   |    |
|                              |                               | $t_{DIP}$ | 934            | 980        | 1722                  | 1807                  | 1979           | 2063           | ps   |    |
|                              | 8 mA                          | $t_{OP}$  | 894            | 937        | 1640                  | 1721                  | 1885           | 1954           | ps   |    |
|                              |                               | $t_{DIP}$ | 914            | 959        | 1706                  | 1791                  | 1961           | 2044           | ps   |    |
|                              | 10 mA                         | $t_{OP}$  | 898            | 942        | 1638                  | 1718                  | 1882           | 1952           | ps   |    |
|                              |                               | $t_{DIP}$ | 918            | 964        | 1704                  | 1788                  | 1958           | 2042           | ps   |    |
|                              | 12 mA                         | $t_{OP}$  | 891            | 936        | 1626                  | 1706                  | 1869           | 1938           | ps   |    |
|                              |                               | $t_{DIP}$ | 911            | 958        | 1692                  | 1776                  | 1945           | 2028           | ps   |    |
|                              | Differential SSTL-18 Class II | 8 mA      | $t_{OP}$       | 883        | 925                   | 1597                  | 1675           | 1835           | 1904 | ps |
|                              |                               |           | $t_{DIP}$      | 903        | 947                   | 1663                  | 1745           | 1911           | 1994 | ps |
| 16 mA                        |                               | $t_{OP}$  | 894            | 937        | 1578                  | 1655                  | 1813           | 1882           | ps   |    |
|                              |                               | $t_{DIP}$ | 914            | 959        | 1644                  | 1725                  | 1889           | 1972           | ps   |    |
| 18 mA                        |                               | $t_{OP}$  | 890            | 933        | 1585                  | 1663                  | 1821           | 1890           | ps   |    |
|                              |                               | $t_{DIP}$ | 910            | 955        | 1651                  | 1733                  | 1897           | 1980           | ps   |    |
| 20 mA                        |                               | $t_{OP}$  | 890            | 933        | 1583                  | 1661                  | 1819           | 1888           | ps   |    |
|                              |                               | $t_{DIP}$ | 910            | 955        | 1649                  | 1731                  | 1895           | 1978           | ps   |    |



Table 5–75. Stratix II I/O Output Delay for Column Pins (Part 7 of 8)

| I/O Standard                          | Drive Strength                         | Parameter        | Minimum Timing   |            | -3 Speed Grade<br>(3) | -3 Speed Grade<br>(4) | -4 Speed Grade | -5 Speed Grade | Unit |    |
|---------------------------------------|--|------------------|------------------|------------|-----------------------|-----------------------|----------------|----------------|------|----|
|                                       |  |                  | Industrial       | Commercial |                       |                       |                |                |      |    |
| 1.8-V<br>Differential<br>HSTL Class I | 4 mA                                   | t <sub>OP</sub>  | 912              | 956        | 1608                  | 1687                  | 1848           | 1943           | ps   |    |
|                                       |  | t <sub>DIP</sub> | 932              | 978        | 1674                  | 1757                  | 1924           | 2033           | ps   |    |
|                                       | 6 mA                                   | t <sub>OP</sub>  | 917              | 962        | 1595                  | 1673                  | 1833           | 1928           | ps   |    |
|                                       |  | t <sub>DIP</sub> | 937              | 984        | 1661                  | 1743                  | 1909           | 2018           | ps   |    |
|                                       | 8 mA                                   | t <sub>OP</sub>  | 896              | 940        | 1586                  | 1664                  | 1823           | 1917           | ps   |    |
|                                       |  | t <sub>DIP</sub> | 916              | 962        | 1652                  | 1734                  | 1899           | 2007           | ps   |    |
|                                       | 10 mA                                  | t <sub>OP</sub>  | 900              | 944        | 1591                  | 1669                  | 1828           | 1923           | ps   |    |
|                                       |  | t <sub>DIP</sub> | 920              | 966        | 1657                  | 1739                  | 1904           | 2013           | ps   |    |
|                                       | 12 mA                                  | t <sub>OP</sub>  | 892              | 936        | 1585                  | 1663                  | 1821           | 1916           | ps   |    |
|                                       |  | t <sub>DIP</sub> | 912              | 958        | 1651                  | 1733                  | 1897           | 2006           | ps   |    |
|                                       | 1.8-V<br>Differential<br>HSTL Class II | 16 mA            | t <sub>OP</sub>  | 877        | 919                   | 1385                  | 1453           | 1591           | 1680 | ps |
|                                       |  |                  | t <sub>DIP</sub> | 897        | 941                   | 1451                  | 1523           | 1667           | 1770 | ps |
| 18 mA                                 |  | t <sub>OP</sub>  | 879              | 921        | 1394                  | 1462                  | 1602           | 1691           | ps   |    |
|                                       |  | t <sub>DIP</sub> | 899              | 943        | 1460                  | 1532                  | 1678           | 1781           | ps   |    |
| 20 mA                                 |  | t <sub>OP</sub>  | 879              | 921        | 1402                  | 1471                  | 1611           | 1700           | ps   |    |
|                                       |  | t <sub>DIP</sub> | 899              | 943        | 1468                  | 1541                  | 1687           | 1790           | ps   |    |
| 1.5-V<br>Differential<br>HSTL Class I | 4 mA                                   | t <sub>OP</sub>  | 912              | 956        | 1607                  | 1686                  | 1847           | 1942           | ps   |    |
|                                       |  | t <sub>DIP</sub> | 932              | 978        | 1673                  | 1756                  | 1923           | 2032           | ps   |    |
|                                       | 6 mA                                   | t <sub>OP</sub>  | 917              | 961        | 1588                  | 1666                  | 1825           | 1920           | ps   |    |
|                                       |  | t <sub>DIP</sub> | 937              | 983        | 1654                  | 1736                  | 1901           | 2010           | ps   |    |
|                                       | 8 mA                                   | t <sub>OP</sub>  | 899              | 943        | 1590                  | 1668                  | 1827           | 1922           | ps   |    |
|                                       |  | t <sub>DIP</sub> | 919              | 965        | 1656                  | 1738                  | 1903           | 2012           | ps   |    |
|                                       | 10 mA                                  | t <sub>OP</sub>  | 900              | 943        | 1592                  | 1670                  | 1829           | 1924           | ps   |    |
|                                       |  | t <sub>DIP</sub> | 920              | 965        | 1658                  | 1740                  | 1905           | 2014           | ps   |    |
|                                       | 12 mA                                  | t <sub>OP</sub>  | 893              | 937        | 1590                  | 1668                  | 1827           | 1922           |      |    |
|                                       |  | t <sub>DIP</sub> | 913              | 959        | 1656                  | 1738                  | 1903           | 2012           |      |    |

**Table 5–75. Stratix II I/O Output Delay for Column Pins (Part 8 of 8)**

| I/O Standard                     | Drive Strength | Parameter        | Minimum Timing |            | -3 Speed Grade | -3 Speed Grade | -4 Speed Grade | -5 Speed Grade | Unit |
|----------------------------------|----------------|------------------|----------------|------------|----------------|----------------|----------------|----------------|------|
|                                  |                |                  | Industrial     | Commercial | (3)            | (4)            |                |                |      |
| 1.5-V Differential HSTL Class II | 16 mA          | t <sub>OP</sub>  | 881            | 924        | 1431           | 1501           | 1644           | 1734           | ps   |
|                                  |                | t <sub>DIP</sub> | 901            | 946        | 1497           | 1571           | 1720           | 1824           | ps   |
|                                  | 18 mA          | t <sub>OP</sub>  | 884            | 927        | 1439           | 1510           | 1654           | 1744           |      |
|                                  |                | t <sub>DIP</sub> | 904            | 949        | 1505           | 1580           | 1730           | 1834           |      |
|                                  | 20 mA          | t <sub>OP</sub>  | 886            | 929        | 1450           | 1521           | 1666           | 1757           |      |
|                                  |                | t <sub>DIP</sub> | 906            | 951        | 1516           | 1591           | 1742           | 1847           |      |

**Notes to Table 5–75:**

- (1) This is the default setting in the Quartus II software.
- (2) These I/O standards are only supported on DQS pins.
- (3) These numbers apply to -3 speed grade EP2S15, EP2S30, EP2S60, and EP2S90 devices.
- (4) These numbers apply to -3 speed grade EP2S130 and EP2S180 devices.

**Table 5–76. Stratix II I/O Output Delay for Row Pins (Part 1 of 3)**

| I/O Standard | Drive Strength | Parameter        | Minimum Timing |            | -3 Speed Grade | -3 Speed Grade | -4 Speed Grade | -5 Speed Grade | Unit |
|--------------|----------------|------------------|----------------|------------|----------------|----------------|----------------|----------------|------|
|              |                |                  | Industrial     | Commercial | (2)            | (3)            |                |                |      |
| LVTTTL       | 4 mA           | t <sub>OP</sub>  | 1267           | 1328       | 2655           | 2786           | 3052           | 3189           | ps   |
|              |                | t <sub>DIP</sub> | 1225           | 1285       | 2600           | 2729           | 2989           | 3116           | ps   |
|              | 8 mA           | t <sub>OP</sub>  | 1144           | 1200       | 2113           | 2217           | 2429           | 2549           | ps   |
|              |                | t <sub>DIP</sub> | 1102           | 1157       | 2058           | 2160           | 2366           | 2476           | ps   |
|              | 12 mA (1)      | t <sub>OP</sub>  | 1091           | 1144       | 2081           | 2184           | 2392           | 2512           | ps   |
|              |                | t <sub>DIP</sub> | 1049           | 1101       | 2026           | 2127           | 2329           | 2439           | ps   |
| LVCMOS       | 4 mA           | t <sub>OP</sub>  | 1144           | 1200       | 2113           | 2217           | 2429           | 2549           | ps   |
|              |                | t <sub>DIP</sub> | 1102           | 1157       | 2058           | 2160           | 2366           | 2476           | ps   |
|              | 8 mA (1)       | t <sub>OP</sub>  | 1044           | 1094       | 1853           | 1944           | 2130           | 2243           | ps   |
|              |                | t <sub>DIP</sub> | 1002           | 1051       | 1798           | 1887           | 2067           | 2170           | ps   |

Table 5–76. Stratix II I/O Output Delay for Row Pins (Part 2 of 3)

| I/O Standard    | Drive Strength | Parameter        | Minimum Timing   |            | -3 Speed Grade (2) | -3 Speed Grade (3) | -4 Speed Grade | -5 Speed Grade | Unit |    |
|-----------------|----------------|------------------|------------------|------------|--------------------|--------------------|----------------|----------------|------|----|
|                 |                |                  | Industrial       | Commercial |                    |                    |                |                |      |    |
| 2.5 V           | 4 mA           | t <sub>OP</sub>  | 1128             | 1183       | 2091               | 2194               | 2403           | 2523           | ps   |    |
|                 |                | t <sub>DIP</sub> | 1086             | 1140       | 2036               | 2137               | 2340           | 2450           | ps   |    |
|                 | 8 mA           | t <sub>OP</sub>  | 1030             | 1080       | 1872               | 1964               | 2152           | 2265           | ps   |    |
|                 |                | t <sub>DIP</sub> | 988              | 1037       | 1817               | 1907               | 2089           | 2192           | ps   |    |
|                 | 12 mA (1)      | t <sub>OP</sub>  | 1012             | 1061       | 1775               | 1862               | 2040           | 2151           | ps   |    |
|                 |                | t <sub>DIP</sub> | 970              | 1018       | 1720               | 1805               | 1977           | 2078           | ps   |    |
| 1.8 V           | 2 mA           | t <sub>OP</sub>  | 1196             | 1253       | 2954               | 3100               | 3396           | 3542           | ps   |    |
|                 |                | t <sub>DIP</sub> | 1154             | 1210       | 2899               | 3043               | 3333           | 3469           | ps   |    |
|                 | 4 mA           | t <sub>OP</sub>  | 1184             | 1242       | 2294               | 2407               | 2637           | 2763           | ps   |    |
|                 |                | t <sub>DIP</sub> | 1142             | 1199       | 2239               | 2350               | 2574           | 2690           | ps   |    |
|                 | 6 mA           | t <sub>OP</sub>  | 1079             | 1131       | 2039               | 2140               | 2344           | 2462           | ps   |    |
|                 |                | t <sub>DIP</sub> | 1037             | 1088       | 1984               | 2083               | 2281           | 2389           | ps   |    |
|                 | 8 mA (1)       | t <sub>OP</sub>  | 1049             | 1100       | 1942               | 2038               | 2232           | 2348           | ps   |    |
|                 |                | t <sub>DIP</sub> | 1007             | 1057       | 1887               | 1981               | 2169           | 2275           | ps   |    |
|                 | 1.5 V          | 2 mA             | t <sub>OP</sub>  | 1158       | 1213               | 2530               | 2655           | 2908           | 3041 | ps |
|                 |                |                  | t <sub>DIP</sub> | 1116       | 1170               | 2475               | 2598           | 2845           | 2968 | ps |
| 4 mA            |                | t <sub>OP</sub>  | 1055             | 1106       | 2020               | 2120               | 2322           | 2440           | ps   |    |
|                 |                | t <sub>DIP</sub> | 1013             | 1063       | 1965               | 2063               | 2259           | 2367           | ps   |    |
| SSTL-2 Class I  | 8 mA           | t <sub>OP</sub>  | 1002             | 1050       | 1759               | 1846               | 2022           | 2104           | ps   |    |
|                 |                | t <sub>DIP</sub> | 960              | 1007       | 1704               | 1789               | 1959           | 2031           | ps   |    |
| SSTL-2 Class II | 16 mA (1)      | t <sub>OP</sub>  | 947              | 992        | 1581               | 1659               | 1817           | 1897           | ps   |    |
|                 |                | t <sub>DIP</sub> | 905              | 949        | 1526               | 1602               | 1754           | 1824           | ps   |    |
| SSTL-18 Class I | 4 mA           | t <sub>OP</sub>  | 990              | 1038       | 1709               | 1793               | 1964           | 2046           | ps   |    |
|                 |                | t <sub>DIP</sub> | 948              | 995        | 1654               | 1736               | 1901           | 1973           | ps   |    |
|                 | 6 mA           | t <sub>OP</sub>  | 994              | 1042       | 1648               | 1729               | 1894           | 1975           | ps   |    |
|                 |                | t <sub>DIP</sub> | 952              | 999        | 1593               | 1672               | 1831           | 1902           | ps   |    |
|                 | 8 mA           | t <sub>OP</sub>  | 970              | 1018       | 1633               | 1713               | 1877           | 1958           | ps   |    |
|                 |                | t <sub>DIP</sub> | 928              | 975        | 1578               | 1656               | 1814           | 1885           | ps   |    |
|                 | 10 mA (1)      | t <sub>OP</sub>  | 974              | 1021       | 1615               | 1694               | 1856           | 1937           | ps   |    |
|                 |                | t <sub>DIP</sub> | 932              | 978        | 1560               | 1637               | 1793           | 1864           | ps   |    |

**Table 5–76. Stratix II I/O Output Delay for Row Pins (Part 3 of 3)**

| I/O Standard       | Drive Strength     | Parameter | Minimum Timing |            | -3 Speed Grade (2) | -3 Speed Grade (3) | -4 Speed Grade | -5 Speed Grade | Unit |    |
|--------------------|--------------------|-----------|----------------|------------|--------------------|--------------------|----------------|----------------|------|----|
|                    |                    |           | Industrial     | Commercial |                    |                    |                |                |      |    |
| 1.8-V HSTL Class I | 4 mA               | $t_{OP}$  | 972            | 1019       | 1610               | 1689               | 1850           | 1956           | ps   |    |
|                    |                    | $t_{DIP}$ | 930            | 976        | 1555               | 1632               | 1787           | 1883           | ps   |    |
|                    | 6 mA               | $t_{OP}$  | 975            | 1022       | 1580               | 1658               | 1816           | 1920           | ps   |    |
|                    |                    | $t_{DIP}$ | 933            | 979        | 1525               | 1601               | 1753           | 1847           | ps   |    |
|                    | 8 mA               | $t_{OP}$  | 958            | 1004       | 1576               | 1653               | 1811           | 1916           | ps   |    |
|                    |                    | $t_{DIP}$ | 916            | 961        | 1521               | 1596               | 1748           | 1843           | ps   |    |
|                    | 10 mA              | $t_{OP}$  | 962            | 1008       | 1567               | 1644               | 1801           | 1905           | ps   |    |
|                    |                    | $t_{DIP}$ | 920            | 965        | 1512               | 1587               | 1738           | 1832           | ps   |    |
|                    | 12 mA (1)          | $t_{OP}$  | 953            | 999        | 1566               | 1643               | 1800           | 1904           | ps   |    |
|                    |                    | $t_{DIP}$ | 911            | 956        | 1511               | 1586               | 1737           | 1831           | ps   |    |
|                    | 1.5-V HSTL Class I | 4 mA      | $t_{OP}$       | 970        | 1018               | 1591               | 1669           | 1828           | 1933 | ps |
|                    |                    |           | $t_{DIP}$      | 928        | 975                | 1536               | 1612           | 1765           | 1860 | ps |
| 6 mA               |                    | $t_{OP}$  | 974            | 1021       | 1579               | 1657               | 1815           | 1919           | ps   |    |
|                    |                    | $t_{DIP}$ | 932            | 978        | 1524               | 1600               | 1752           | 1846           | ps   |    |
| 8 mA (1)           |                    | $t_{OP}$  | 960            | 1006       | 1572               | 1649               | 1807           | 1911           | ps   |    |
|                    |                    | $t_{DIP}$ | 918            | 963        | 1517               | 1592               | 1744           | 1838           | ps   |    |
| LVDS               |                    | $t_{OP}$  | 1018           | 1067       | 1723               | 1808               | 1980           | 2089           | ps   |    |
|                    |                    | $t_{DIP}$ | 976            | 1024       | 1668               | 1751               | 1917           | 2016           | ps   |    |
| HyperTransport     |                    | $t_{OP}$  | 1005           | 1053       | 1723               | 1808               | 1980           | 2089           | ps   |    |
|                    |                    | $t_{DIP}$ | 963            | 1010       | 1668               | 1751               | 1917           | 2016           | ps   |    |

**Notes to Table 5–76:**

- (1) This is the default setting in the Quartus II software.
- (2) These numbers apply to -3 speed grade EP2S15, EP2S30, EP2S60, and EP2S90 devices.
- (3) These numbers apply to -3 speed grade EP2S130 and EP2S180 devices.

**Maximum Input & Output Clock Toggle Rate**

Maximum clock toggle rate is defined as the maximum frequency achievable for a clock type signal at an I/O pin. The I/O pin can be a regular I/O pin or a dedicated clock I/O pin.

The maximum clock toggle rate is different from the maximum data bit rate. If the maximum clock toggle rate on a regular I/O pin is 300 MHz, the maximum data bit rate for dual data rate (DDR) could be potentially as high as 600 Mbps on the same I/O pin.

Table 5–77 specifies the maximum input clock toggle rates. Table 5–78 specifies the maximum output clock toggle rates at 0pF load. Table 5–79 specifies the derating factors for the output clock toggle rate for a non 0pF load.

To calculate the output toggle rate for a non 0pF load, use this formula:

The toggle rate for a non 0pF load

$$= 1000 / (1000 / \text{toggle rate at } 0\text{pF load} + \text{derating factor} * \text{load value in pF} / 1000)$$

For example, the output toggle rate at 0pF load for SSTL-18 Class II 20mA I/O standard is 550 MHz on a -3 device clock output pin. The derating factor is 94ps/pF. For a 10pF load the toggle rate is calculated as:

$$1000 / (1000/550 + 94 \times 10 / 1000) = 363 \text{ (MHz)}$$

Tables 5–77 through 5–79 show the I/O toggle rates for Stratix II devices.

| Input I/O Standard  | Column I/O Pins (MHz) |     |     | Row I/O Pins (MHz) |     |     | Dedicated Clock Inputs (MHz) |     |     |
|---------------------|-----------------------|-----|-----|--------------------|-----|-----|------------------------------|-----|-----|
|                     | -3                    | -4  | -5  | -3                 | -4  | -5  | -3                           | -4  | -5  |
| LVTTL               | 500                   | 500 | 450 | 500                | 500 | 450 | 500                          | 500 | 400 |
| 2.5-V LVTTL/CMOS    | 500                   | 500 | 450 | 500                | 500 | 450 | 500                          | 500 | 400 |
| 1.8-V LVTTL/CMOS    | 500                   | 500 | 450 | 500                | 500 | 450 | 500                          | 500 | 400 |
| 1.5-V LVTTL/CMOS    | 500                   | 500 | 450 | 500                | 500 | 450 | 500                          | 500 | 400 |
| LVC MOS             | 500                   | 500 | 450 | 500                | 500 | 450 | 500                          | 500 | 400 |
| SSTL-2 Class I      | 500                   | 500 | 500 | 500                | 500 | 500 | 500                          | 500 | 500 |
| SSTL-2 Class II     | 500                   | 500 | 500 | 500                | 500 | 500 | 500                          | 500 | 500 |
| SSTL-18 Class I     | 500                   | 500 | 500 | 500                | 500 | 500 | 500                          | 500 | 500 |
| SSTL-18 Class II    | 500                   | 500 | 500 | 500                | 500 | 500 | 500                          | 500 | 500 |
| 1.5-V HSTL Class I  | 500                   | 500 | 500 | 500                | 500 | 500 | 500                          | 500 | 500 |
| 1.5-V HSTL Class II | 500                   | 500 | 500 | 500                | 500 | 500 | 500                          | 500 | 500 |
| 1.8-V HSTL Class I  | 500                   | 500 | 500 | 500                | 500 | 500 | 500                          | 500 | 500 |

**Table 5–77. Maximum Input Toggle Rate on Stratix II Devices (Part 2 of 2)**

| Input I/O Standard                        | Column I/O Pins (MHz) |     |     | Row I/O Pins (MHz) |     |     | Dedicated Clock Inputs (MHz) |     |     |
|---|-----------------------|-----|-----|--------------------|-----|-----|------------------------------|-----|-----|
|   | -3                    | -4  | -5  | -3                 | -4  | -5  | -3                           | -4  | -5  |
| 1.8-V HSTL Class II                       | 500                   | 500 | 500 | 500                | 500 | 500 | 500                          | 500 | 500 |
| PCI (1)                                   | 500                   | 500 | 450 | -                  | -   | -   | 500                          | 500 | 400 |
| PCI-X (1)                                 | 500                   | 500 | 450 | -                  | -   | -   | 500                          | 500 | 400 |
| 1.2-V HSTL (2)                            | 280                   | -   | -   | -                  | -   | -   | 280                          | -   | -   |
| Differential SSTL-2 Class I (1), (3)      | 500                   | 500 | 500 | -                  | -   | -   | 500                          | 500 | 500 |
| Differential SSTL-2 Class II (1), (3)     | 500                   | 500 | 500 | -                  | -   | -   | 500                          | 500 | 500 |
| Differential SSTL-18 Class I (1), (3)     | 500                   | 500 | 500 | -                  | -   | -   | 500                          | 500 | 500 |
| Differential SSTL-18 Class II (1), (3)    | 500                   | 500 | 500 | -                  | -   | -   | 500                          | 500 | 500 |
| 1.8-V Differential HSTL Class I (1), (3)  | 500                   | 500 | 500 | -                  | -   | -   | 500                          | 500 | 500 |
| 1.8-V Differential HSTL Class II (1), (3) | 500                   | 500 | 500 | -                  | -   | -   | 500                          | 500 | 500 |
| 1.5-V Differential HSTL Class I (1), (3)  | 500                   | 500 | 500 | -                  | -   | -   | 500                          | 500 | 500 |
| 1.5-V Differential HSTL Class II (1), (3) | 500                   | 500 | 500 | -                  | -   | -   | 500                          | 500 | 500 |
| HyperTransport technology (4)             | -                     | -   | -   | 520                | 520 | 420 | 717                          | 717 | 640 |
| LVPECL (1)                                | -                     | -   | -   | -                  | -   | -   | 450                          | 450 | 400 |
| LVDS (5)                                  | -                     | -   | -   | 520                | 520 | 420 | 717                          | 717 | 640 |
| LVDS (6)                                  | -                     | -   | -   | -                  | -   | -   | 450                          | 450 | 400 |

**Notes to Table 5–77:**

- (1) Row clock inputs don't support PCI, PCI-X, LVPECL, and differential HSTL and SSTL standards.
- (2) 1.2-V HSTL is only supported on column I/O pins.
- (3) Differential HSTL and SSTL standards are only supported on column clock and DQS inputs.
- (4) HyperTransport technology is only supported on row I/O and row dedicated clock input pins.
- (5) These numbers apply to I/O pins and dedicated clock pins in the left and right I/O banks.
- (6) These numbers apply to dedicated clock pins in the top and bottom I/O banks.

Table 5–78. Maximum Output Toggle Rate on Stratix II Devices (Part 1 of 5) *Note (1)*

| I/O Standard        | Drive Strength | Column I/O Pins (MHz) |       |       | Row I/O Pins (MHz) |     |     | Clock Outputs (MHz) |       |       |
|---------------------|----------------|-----------------------|-------|-------|--------------------|-----|-----|---------------------|-------|-------|
|                     |                | -3                    | -4    | -5    | -3                 | -4  | -5  | -3                  | -4    | -5    |
| 3.3-V LVTTTL        | 4 mA           | 270                   | 225   | 210   | 270                | 225 | 210 | 270                 | 225   | 210   |
|                     | 8 mA           | 435                   | 355   | 325   | 435                | 355 | 325 | 435                 | 355   | 325   |
|                     | 12 mA          | 580                   | 475   | 420   | 580                | 475 | 420 | 580                 | 475   | 420   |
|                     | 16 mA          | 720                   | 594   | 520   | -                  | -   | -   | 720                 | 594   | 520   |
|                     | 20 mA          | 875                   | 700   | 610   | -                  | -   | -   | 875                 | 700   | 610   |
|                     | 24 mA          | 1,030                 | 794   | 670   | -                  | -   | -   | 1,030               | 794   | 670   |
| 3.3-V LVCMOS        | 4 mA           | 290                   | 250   | 230   | 290                | 250 | 230 | 290                 | 250   | 230   |
|                     | 8 mA           | 565                   | 480   | 440   | 565                | 480 | 440 | 565                 | 480   | 440   |
|                     | 12 mA          | 790                   | 710   | 670   | -                  | -   | -   | 790                 | 710   | 670   |
|                     | 16 mA          | 1,020                 | 925   | 875   | -                  | -   | -   | 1,020               | 925   | 875   |
|                     | 20 mA          | 1,066                 | 985   | 935   | -                  | -   | -   | 1,066               | 985   | 935   |
|                     | 24 mA          | 1,100                 | 1,040 | 1,000 | -                  | -   | -   | 1,100               | 1,040 | 1,000 |
| 2.5-V LVTTTL/LVCMOS | 4 mA           | 230                   | 194   | 180   | 230                | 194 | 180 | 230                 | 194   | 180   |
|                     | 8 mA           | 430                   | 380   | 380   | 430                | 380 | 380 | 430                 | 380   | 380   |
|                     | 12 mA          | 630                   | 575   | 550   | 630                | 575 | 550 | 630                 | 575   | 550   |
|                     | 16 mA          | 930                   | 845   | 820   | -                  | -   | -   | 930                 | 845   | 820   |
| 1.8-V LVTTTL/LVCMOS | 2 mA           | 120                   | 109   | 104   | 120                | 109 | 104 | 120                 | 109   | 104   |
|                     | 4 mA           | 285                   | 250   | 230   | 285                | 250 | 230 | 285                 | 250   | 230   |
|                     | 6 mA           | 450                   | 390   | 360   | 450                | 390 | 360 | 450                 | 390   | 360   |
|                     | 8 mA           | 660                   | 570   | 520   | 660                | 570 | 520 | 660                 | 570   | 520   |
|                     | 10 mA          | 905                   | 805   | 755   | -                  | -   | -   | 905                 | 805   | 755   |
|                     | 12 mA          | 1,131                 | 1,040 | 990   | -                  | -   | -   | 1,131               | 1,040 | 990   |
| 1.5-V LVTTTL/LVCMOS | 2 mA           | 244                   | 200   | 180   | 244                | 200 | 180 | 244                 | 200   | 180   |
|                     | 4 mA           | 470                   | 370   | 325   | 470                | 370 | 325 | 470                 | 370   | 325   |
|                     | 6 mA           | 550                   | 430   | 375   | -                  | -   | -   | 550                 | 430   | 375   |
|                     | 8 mA           | 625                   | 495   | 420   | -                  | -   | -   | 625                 | 495   | 420   |
| SSTL-2 Class I      | 8 mA           | 400                   | 300   | 300   | -                  | -   | -   | 400                 | 300   | 300   |
|                     | 12 mA          | 400                   | 400   | 350   | 400                | 350 | 350 | 400                 | 400   | 350   |
| SSTL-2 Class II     | 16 mA          | 350                   | 350   | 300   | 350                | 350 | 300 | 350                 | 350   | 300   |
|                     | 20 mA          | 400                   | 350   | 350   | -                  | -   | -   | 400                 | 350   | 350   |
|                     | 24 mA          | 400                   | 400   | 350   | -                  | -   | -   | 400                 | 400   | 350   |

| I/O Standard                                | Drive Strength | Column I/O Pins (MHz) |     |     | Row I/O Pins (MHz) |     |     | Clock Outputs (MHz) |     |     |
|---|----------------|-----------------------|-----|-----|--------------------|-----|-----|---------------------|-----|-----|
|   |                | -3                    | -4  | -5  | -3                 | -4  | -5  | -3                  | -4  | -5  |
| SSTL-18 Class I                             | 4 mA           | 200                   | 150 | 150 | 200                | 150 | 150 | 200                 | 150 | 150 |
|   | 6 mA           | 350                   | 250 | 200 | 350                | 250 | 200 | 350                 | 250 | 200 |
|   | 8 mA           | 450                   | 300 | 300 | 450                | 300 | 300 | 450                 | 300 | 300 |
|   | 10 mA          | 500                   | 400 | 400 | 500                | 400 | 400 | 500                 | 400 | 400 |
|   | 12 mA          | 700                   | 550 | 400 | -                  | -   | -   | 650                 | 550 | 400 |
| SSTL-18 Class II                            | 8 mA           | 200                   | 200 | 150 | -                  | -   | -   | 200                 | 200 | 150 |
|   | 16 mA          | 400                   | 350 | 350 | -                  | -   | -   | 400                 | 350 | 350 |
|   | 18 mA          | 450                   | 400 | 400 | -                  | -   | -   | 450                 | 400 | 400 |
|   | 20 mA          | 550                   | 500 | 450 | -                  | -   | -   | 550                 | 500 | 450 |
| 1.8-V HSTL Class I                          | 4 mA           | 300                   | 300 | 300 | 300                | 300 | 300 | 300                 | 300 | 300 |
|   | 6 mA           | 500                   | 450 | 450 | 500                | 450 | 450 | 500                 | 450 | 450 |
|   | 8 mA           | 650                   | 600 | 600 | 650                | 600 | 600 | 650                 | 600 | 600 |
|   | 10 mA          | 700                   | 650 | 600 | 700                | 650 | 600 | 700                 | 650 | 600 |
|   | 12 mA          | 700                   | 700 | 650 | 700                | 700 | 650 | 700                 | 700 | 650 |
| 1.8-V HSTL Class II                         | 16 mA          | 500                   | 500 | 450 | -                  | -   | -   | 500                 | 500 | 450 |
|   | 18 mA          | 550                   | 500 | 500 | -                  | -   | -   | 550                 | 500 | 500 |
|   | 20 mA          | 650                   | 550 | 550 | -                  | -   | -   | 550                 | 550 | 550 |
| 1.5-V HSTL Class I                          | 4 mA           | 350                   | 300 | 300 | 350                | 300 | 300 | 350                 | 300 | 300 |
|   | 6 mA           | 500                   | 500 | 450 | 500                | 500 | 450 | 500                 | 500 | 450 |
|   | 8 mA           | 700                   | 650 | 600 | 700                | 650 | 600 | 700                 | 650 | 600 |
|   | 10 mA          | 700                   | 700 | 650 | -                  | -   | -   | 700                 | 700 | 650 |
|   | 12 mA          | 700                   | 700 | 700 | -                  | -   | -   | 700                 | 700 | 700 |
| 1.5-V HSTL Class II                         | 16 mA          | 600                   | 600 | 550 | -                  | -   | -   | 600                 | 600 | 550 |
|   | 18 mA          | 650                   | 600 | 600 | -                  | -   | -   | 650                 | 600 | 600 |
|   | 20 mA          | 700                   | 650 | 600 | -                  | -   | -   | 700                 | 650 | 600 |
| Differential SSTL-2 Class I <sup>(3)</sup>  | 8 mA           | 400                   | 300 | 300 | 400                | 300 | 300 | 400                 | 300 | 300 |
|   | 12 mA          | 400                   | 400 | 350 | 400                | 400 | 350 | 400                 | 400 | 350 |
| Differential SSTL-2 Class II <sup>(3)</sup> | 16 mA          | 350                   | 350 | 300 | 350                | 350 | 300 | 350                 | 350 | 300 |
|   | 20 mA          | 400                   | 350 | 350 | 350                | 350 | 297 | 400                 | 350 | 350 |
|   | 24 mA          | 400                   | 400 | 350 | -                  | -   | -   | 400                 | 400 | 350 |



Table 5–78. Maximum Output Toggle Rate on Stratix II Devices (Part 3 of 5) *Note (1)*

| I/O Standard                         | Drive Strength | Column I/O Pins (MHz) |     |     | Row I/O Pins (MHz) |     |     | Clock Outputs (MHz) |     |     |
|--------------------------------------|----------------|-----------------------|-----|-----|--------------------|-----|-----|---------------------|-----|-----|
|                                      |                | -3                    | -4  | -5  | -3                 | -4  | -5  | -3                  | -4  | -5  |
| Differential SSTL-18 Class I (3)     | 4 mA           | 200                   | 150 | 150 | 200                | 150 | 150 | 200                 | 150 | 150 |
|                                      | 6 mA           | 350                   | 250 | 200 | 350                | 250 | 200 | 350                 | 250 | 200 |
|                                      | 8 mA           | 450                   | 300 | 300 | 450                | 300 | 300 | 450                 | 300 | 300 |
|                                      | 10 mA          | 500                   | 400 | 400 | 500                | 400 | 400 | 500                 | 400 | 400 |
|                                      | 12 mA          | 700                   | 550 | 400 | 350                | 350 | 297 | 650                 | 550 | 400 |
| Differential SSTL-18 Class II (3)    | 8 mA           | 200                   | 200 | 150 | -                  | -   | -   | 200                 | 200 | 150 |
|                                      | 16 mA          | 400                   | 350 | 350 | -                  | -   | -   | 400                 | 350 | 350 |
|                                      | 18 mA          | 450                   | 400 | 400 | -                  | -   | -   | 450                 | 400 | 400 |
|                                      | 20 mA          | 550                   | 500 | 450 | -                  | -   | -   | 550                 | 500 | 450 |
| 1.8-V Differential HSTL Class I (3)  | 4 mA           | 300                   | 300 | 300 | -                  | -   | -   | 300                 | 300 | 300 |
|                                      | 6 mA           | 500                   | 450 | 450 | -                  | -   | -   | 500                 | 450 | 450 |
|                                      | 8 mA           | 650                   | 600 | 600 | -                  | -   | -   | 650                 | 600 | 600 |
|                                      | 10 mA          | 700                   | 650 | 600 | -                  | -   | -   | 700                 | 650 | 600 |
|                                      | 12 mA          | 700                   | 700 | 650 | -                  | -   | -   | 700                 | 700 | 650 |
| 1.8-V Differential HSTL Class II (3) | 16 mA          | 500                   | 500 | 450 | -                  | -   | -   | 500                 | 500 | 450 |
|                                      | 18 mA          | 550                   | 500 | 500 | -                  | -   | -   | 550                 | 500 | 500 |
|                                      | 20 mA          | 650                   | 550 | 550 | -                  | -   | -   | 550                 | 550 | 550 |
| 1.5-V Differential HSTL Class I (3)  | 4 mA           | 350                   | 300 | 300 | -                  | -   | -   | 350                 | 300 | 300 |
|                                      | 6 mA           | 500                   | 500 | 450 | -                  | -   | -   | 500                 | 500 | 450 |
|                                      | 8 mA           | 700                   | 650 | 600 | -                  | -   | -   | 700                 | 650 | 600 |
|                                      | 10 mA          | 700                   | 700 | 650 | -                  | -   | -   | 700                 | 700 | 650 |
|                                      | 12 mA          | 700                   | 700 | 700 | -                  | -   | -   | 700                 | 700 | 700 |
| 1.5-V Differential HSTL Class II (3) | 16 mA          | 600                   | 600 | 550 | -                  | -   | -   | 600                 | 600 | 550 |
|                                      | 18 mA          | 650                   | 600 | 600 | -                  | -   | -   | 650                 | 600 | 600 |
|                                      | 20 mA          | 700                   | 650 | 600 | -                  | -   | -   | 700                 | 650 | 600 |
| 3.3-V PCI                            |                | 1,000                 | 790 | 670 | -                  | -   | -   | 1,000               | 790 | 670 |
| 3.3-V PCI-X                          |                | 1,000                 | 790 | 670 | -                  | -   | -   | 1,000               | 790 | 670 |
| LVDS (6)                             |                | -                     | -   | -   | 500                | 500 | 500 | 450                 | 400 | 300 |
| HyperTransport technology (4), (6)   |                |                       |     |     | 500                | 500 | 500 | -                   | -   | -   |
| LVPECL (5)                           |                | -                     | -   | -   | -                  | -   | -   | 450                 | 400 | 300 |
| 3.3-V LVTTTL                         | OCT 50 Ω       | 400                   | 400 | 350 | 400                | 400 | 350 | 400                 | 400 | 350 |
| 2.5-V LVTTTL                         | OCT 50 Ω       | 350                   | 350 | 300 | 350                | 350 | 300 | 350                 | 350 | 300 |

**Table 5–78. Maximum Output Toggle Rate on Stratix II Devices (Part 4 of 5)** *Note (1)*

| I/O Standard                     | Drive Strength | Column I/O Pins (MHz) |     |     | Row I/O Pins (MHz) |     |     | Clock Outputs (MHz) |     |     |
|----------------------------------|----------------|-----------------------|-----|-----|--------------------|-----|-----|---------------------|-----|-----|
|                                  |                | -3                    | -4  | -5  | -3                 | -4  | -5  | -3                  | -4  | -5  |
| 1.8-V LVTTTL                     | OCT 50 Ω       | 700                   | 550 | 450 | 700                | 550 | 450 | 700                 | 550 | 450 |
| 3.3-V LVCMOS                     | OCT 50 Ω       | 350                   | 350 | 300 | 350                | 350 | 300 | 350                 | 350 | 300 |
| 1.5-V LVCMOS                     | OCT 50 Ω       | 550                   | 450 | 400 | 550                | 450 | 400 | 550                 | 450 | 400 |
| SSTL-2 Class I                   | OCT 50 Ω       | 600                   | 500 | 500 | 600                | 500 | 500 | 600                 | 500 | 500 |
| SSTL-2 Class II                  | OCT 25 Ω       | 600                   | 550 | 500 | 600                | 550 | 500 | 600                 | 550 | 500 |
| SSTL-18 Class I                  | OCT 50 Ω       | 560                   | 400 | 350 | 590                | 400 | 350 | 450                 | 400 | 350 |
| SSTL-18 Class II                 | OCT 25 Ω       | 550                   | 500 | 450 | -                  | -   | -   | 550                 | 500 | 450 |
| 1.2-V HSTL (2)                   | OCT 50 Ω       | 280                   | -   | -   | -                  | -   | -   | 280                 | -   | -   |
| 1.5-V HSTL Class I               | OCT 50 Ω       | 600                   | 550 | 500 | 600                | 550 | 500 | 600                 | 550 | 500 |
| 1.8-V HSTL Class I               | OCT 50 Ω       | 650                   | 600 | 600 | 650                | 600 | 600 | 650                 | 600 | 600 |
| 1.8-V HSTL Class II              | OCT 25 Ω       | 500                   | 500 | 450 | -                  | -   | -   | 500                 | 500 | 450 |
| Differential SSTL-2 Class I      | OCT 50 Ω       | 600                   | 500 | 500 | 600                | 500 | 500 | 600                 | 500 | 500 |
| Differential SSTL-2 Class II     | OCT 25 Ω       | 600                   | 550 | 500 | 600                | 550 | 500 | 600                 | 550 | 500 |
| Differential SSTL-18 Class I     | OCT 50 Ω       | 560                   | 400 | 350 | 590                | 400 | 350 | 560                 | 400 | 350 |
| Differential SSTL-18 Class II    | OCT 25 Ω       | 550                   | 500 | 450 | -                  | -   | -   | 550                 | 500 | 450 |
| 1.8-V Differential HSTL Class I  | OCT 50 Ω       | 650                   | 600 | 600 | 650                | 600 | 600 | 650                 | 600 | 600 |
| 1.8-V Differential HSTL Class II | OCT 25 Ω       | 500                   | 500 | 450 | -                  | -   | -   | 500                 | 500 | 450 |
| 1.5-V Differential HSTL Class I  | OCT 50 Ω       | 600                   | 550 | 500 | 600                | 550 | 500 | 600                 | 550 | 500 |

**Table 5–78. Maximum Output Toggle Rate on Stratix II Devices (Part 5 of 5)** *Note (1)*

| I/O Standard            | Drive Strength  | Column I/O Pins (MHz) |    |    | Row I/O Pins (MHz) |    |    | Clock Outputs (MHz) |    |    |
|-------------------------|-----------------|-----------------------|----|----|--------------------|----|----|---------------------|----|----|
|                         |                 | -3                    | -4 | -5 | -3                 | -4 | -5 | -3                  | -4 | -5 |
| 1.2-V Differential HSTL | OCT 50 $\Omega$ | 280                   | -  | -  | -                  | -  | -  | 280                 | -  | -  |

**Notes to Table 5–78:**

- (1) The toggle rate applies to 0-pF output load for all I/O standards except for LVDS and HyperTransport technology on row I/O pins. For LVDS and HyperTransport technology on row I/O pins, the toggle rates apply to load from 0 to 5pF.
- (2) 1.2-V HSTL is only supported on column I/O pins in I/O banks 4, 7, and 8.
- (3) Differential HSTL and SSTL is only supported on column clock and DQS outputs.
- (4) HyperTransport technology is only supported on row I/O and row dedicated clock input pins.
- (5) LVPECL is only supported on column clock pins.
- (6) Refer to Tables 5–81 through 5–91 if using SERDES block. Use the toggle rate values from the clock output column for PLL output.

**Table 5–79. Maximum Output Clock Toggle Rate Derating Factors (Part 1 of 5)**

| I/O Standard        | Drive Strength | Maximum Output Clock Toggle Rate Derating Factors (ps/pF) |     |     |              |     |     |                         |     |     |
|---------------------|----------------|---|-----|-----|--------------|-----|-----|-------------------------|-----|-----|
|                     |                | Column I/O Pins   |     |     | Row I/O Pins |     |     | Dedicated Clock Outputs |     |     |
|                     |                | -3  | -4  | -5  | -3           | -4  | -5  | -3                      | -4  | -5  |
| 3.3-V LVTTTL        | 4 mA           | 478   | 510 | 510 | 478          | 510 | 510 | 466                     | 510 | 510 |
|                     | 8 mA           | 260   | 333 | 333 | 260          | 333 | 333 | 291                     | 333 | 333 |
|                     | 12 mA          | 213   | 247 | 247 | 213          | 247 | 247 | 211                     | 247 | 247 |
|                     | 16 mA          | 136   | 197 | 197 | -            | -   | -   | 166                     | 197 | 197 |
|                     | 20 mA          | 138   | 187 | 187 | -            | -   | -   | 154                     | 187 | 187 |
|                     | 24 mA          | 134   | 177 | 177 | -            | -   | -   | 143                     | 177 | 177 |
| 3.3-V LVCMOS        | 4 mA           | 377   | 391 | 391 | 377          | 391 | 391 | 377                     | 391 | 391 |
|                     | 8 mA           | 206   | 212 | 212 | 206          | 212 | 212 | 178                     | 212 | 212 |
|                     | 12 mA          | 141   | 145 | 145 | -            | -   | -   | 115                     | 145 | 145 |
|                     | 16 mA          | 108   | 111 | 111 | -            | -   | -   | 86                      | 111 | 111 |
|                     | 20 mA          | 83  | 88  | 88  | -            | -   | -   | 79                      | 88  | 88  |
|                     | 24 mA          | 65  | 72  | 72  | -            | -   | -   | 74                      | 72  | 72  |
| 2.5-V LVTTTL/LVCMOS | 4 mA           | 387   | 427 | 427 | 387          | 427 | 427 | 391                     | 427 | 427 |
|                     | 8 mA           | 163   | 224 | 224 | 163          | 224 | 224 | 170                     | 224 | 224 |
|                     | 12 mA          | 142   | 203 | 203 | 142          | 203 | 203 | 152                     | 203 | 203 |
|                     | 16 mA          | 120   | 182 | 182 | -            | -   | -   | 134                     | 182 | 182 |

**Table 5–79. Maximum Output Clock Toggle Rate Derating Factors (Part 2 of 5)**

| I/O Standard           | Drive Strength | Maximum Output Clock Toggle Rate Derating Factors (ps/pF) |      |      |              |      |      |                         |      |      |
|------------------------|----------------|---|------|------|--------------|------|------|-------------------------|------|------|
|                        |                | Column I/O Pins   |      |      | Row I/O Pins |      |      | Dedicated Clock Outputs |      |      |
|                        |                | -3  | -4   | -5   | -3           | -4   | -5   | -3                      | -4   | -5   |
| 1.8-V<br>LVTTTL/LVCMOS | 2 mA           | 951   | 1421 | 1421 | 951          | 1421 | 1421 | 904                     | 1421 | 1421 |
|                        | 4 mA           | 405   | 516  | 516  | 405          | 516  | 516  | 393                     | 516  | 516  |
|                        | 6 mA           | 261   | 325  | 325  | 261          | 325  | 325  | 253                     | 325  | 325  |
|                        | 8 mA           | 223   | 274  | 274  | 223          | 274  | 274  | 224                     | 274  | 274  |
|                        | 10 mA          | 194   | 236  | 236  | -            | -    | -    | 199                     | 236  | 236  |
|                        | 12 mA          | 174   | 209  | 209  | -            | -    | -    | 180                     | 209  | 209  |
| 1.5-V<br>LVTTTL/LVCMOS | 2 mA           | 652   | 963  | 963  | 652          | 963  | 963  | 618                     | 963  | 963  |
|                        | 4 mA           | 333   | 347  | 347  | 333          | 347  | 347  | 270                     | 347  | 347  |
|                        | 6 mA           | 182   | 247  | 247  | -            | -    | -    | 198                     | 247  | 247  |
|                        | 8 mA           | 135   | 194  | 194  | -            | -    | -    | 155                     | 194  | 194  |
| SSTL-2 Class I         | 8 mA           | 364   | 680  | 680  | 364          | 680  | 680  | 350                     | 680  | 680  |
|                        | 12 mA          | 163   | 207  | 207  | 163          | 207  | 207  | 188                     | 207  | 207  |
| SSTL-2 Class II        | 16 mA          | 118   | 147  | 147  | 118          | 147  | 147  | 94                      | 147  | 147  |
|                        | 20 mA          | 99  | 122  | 122  | -            | -    | -    | 87                      | 122  | 122  |
|                        | 24 mA          | 91  | 116  | 116  | -            | -    | -    | 85                      | 116  | 116  |
| SSTL-18 Class I        | 4 mA           | 458   | 570  | 570  | 458          | 570  | 570  | 505                     | 570  | 570  |
|                        | 6 mA           | 305   | 380  | 380  | 305          | 380  | 380  | 336                     | 380  | 380  |
|                        | 8 mA           | 225   | 282  | 282  | 225          | 282  | 282  | 248                     | 282  | 282  |
|                        | 10 mA          | 167   | 220  | 220  | 167          | 220  | 220  | 190                     | 220  | 220  |
|                        | 12 mA          | 129   | 175  | 175  | -            | -    | -    | 148                     | 175  | 175  |
| SSTL-18 Class II       | 8 mA           | 173   | 206  | 206  | -            | -    | -    | 155                     | 206  | 206  |
|                        | 16 mA          | 150   | 160  | 160  | -            | -    | -    | 140                     | 160  | 160  |
|                        | 18 mA          | 120   | 130  | 130  | -            | -    | -    | 110                     | 130  | 130  |
|                        | 20 mA          | 109   | 127  | 127  | -            | -    | -    | 94                      | 127  | 127  |
| SSTL-2 Class I         | 8 mA           | 364   | 680  | 680  | 364          | 680  | 680  | 350                     | 680  | 680  |
|                        | 12 mA          | 163   | 207  | 207  | 163          | 207  | 207  | 188                     | 207  | 207  |
| SSTL-2 Class II        | 16 mA          | 118   | 147  | 147  | 118          | 147  | 147  | 94                      | 147  | 147  |
|                        | 20 mA          | 99  | 122  | 122  | -            | -    | -    | 87                      | 122  | 122  |
|                        | 24 mA          | 91  | 116  | 116  | -            | -    | -    | 85                      | 116  | 116  |

**Table 5–79. Maximum Output Clock Toggle Rate Derating Factors (Part 3 of 5)**

| I/O Standard                     | Drive Strength | Maximum Output Clock Toggle Rate Derating Factors (ps/pF) |     |     |              |     |     |                         |     |     |
|----------------------------------|----------------|---|-----|-----|--------------|-----|-----|-------------------------|-----|-----|
|                                  |                | Column I/O Pins   |     |     | Row I/O Pins |     |     | Dedicated Clock Outputs |     |     |
|                                  |                | -3  | -4  | -5  | -3           | -4  | -5  | -3                      | -4  | -5  |
| SSTL-18 Class I                  | 4 mA           | 458   | 570 | 570 | 458          | 570 | 570 | 505                     | 570 | 570 |
|                                  | 6 mA           | 305   | 380 | 380 | 305          | 380 | 380 | 336                     | 380 | 380 |
|                                  | 8 mA           | 225   | 282 | 282 | 225          | 282 | 282 | 248                     | 282 | 282 |
|                                  | 10 mA          | 167   | 220 | 220 | 167          | 220 | 220 | 190                     | 220 | 220 |
|                                  | 12 mA          | 129   | 175 | 175 | -            | -   | -   | 148                     | 175 | 175 |
| SSTL-18 Class II                 | 8 mA           | 173   | 206 | 206 | -            | -   | -   | 155                     | 206 | 206 |
|                                  | 16 mA          | 150   | 160 | 160 | -            | -   | -   | 140                     | 160 | 160 |
|                                  | 18 mA          | 120   | 130 | 130 | -            | -   | -   | 110                     | 130 | 130 |
|                                  | 20 mA          | 109   | 127 | 127 | -            | -   | -   | 94                      | 127 | 127 |
| 1.8-V HSTL Class I               | 4 mA           | 245   | 282 | 282 | 245          | 282 | 282 | 229                     | 282 | 282 |
|                                  | 6 mA           | 164   | 188 | 188 | 164          | 188 | 188 | 153                     | 188 | 188 |
|                                  | 8 mA           | 123   | 140 | 140 | 123          | 140 | 140 | 114                     | 140 | 140 |
|                                  | 10 mA          | 110   | 124 | 124 | 110          | 124 | 124 | 108                     | 124 | 124 |
|                                  | 12 mA          | 97  | 110 | 110 | 97           | 110 | 110 | 104                     | 110 | 110 |
| 1.8-V HSTL Class II              | 16 mA          | 101   | 104 | 104 | -            | -   | -   | 99                      | 104 | 104 |
|                                  | 18 mA          | 98  | 102 | 102 | -            | -   | -   | 93                      | 102 | 102 |
|                                  | 20 mA          | 93  | 99  | 99  | -            | -   | -   | 88                      | 99  | 99  |
| 1.5-V HSTL Class I               | 4 mA           | 168   | 196 | 196 | 168          | 196 | 196 | 188                     | 196 | 196 |
|                                  | 6 mA           | 112   | 131 | 131 | 112          | 131 | 131 | 125                     | 131 | 131 |
|                                  | 8 mA           | 84  | 99  | 99  | 84           | 99  | 99  | 95                      | 99  | 99  |
|                                  | 10 mA          | 87  | 98  | 98  | -            | -   | -   | 90                      | 98  | 98  |
|                                  | 12 mA          | 86  | 98  | 98  | -            | -   | -   | 87                      | 98  | 98  |
| 1.5-V HSTL Class II              | 16 mA          | 95  | 101 | 101 | -            | -   | -   | 96                      | 101 | 101 |
|                                  | 18 mA          | 95  | 100 | 100 | -            | -   | -   | 101                     | 100 | 100 |
|                                  | 20 mA          | 94  | 101 | 101 | -            | -   | -   | 104                     | 101 | 101 |
| Differential SSTL-2 Class II (3) | 8 mA           | 364   | 680 | 680 | -            | -   | -   | 350                     | 680 | 680 |
|                                  | 12 mA          | 163   | 207 | 207 | -            | -   | -   | 188                     | 207 | 207 |
|                                  | 16 mA          | 118   | 147 | 147 | -            | -   | -   | 94                      | 147 | 147 |
|                                  | 20 mA          | 99  | 122 | 122 | -            | -   | -   | 87                      | 122 | 122 |
|                                  | 24 mA          | 91  | 116 | 116 | -            | -   | -   | 85                      | 116 | 116 |

Table 5–79. Maximum Output Clock Toggle Rate Derating Factors (Part 4 of 5)

| I/O Standard                         | Drive Strength | Maximum Output Clock Toggle Rate Derating Factors (ps/pF) |     |     |              |         |         |                         |     |     |
|--------------------------------------|----------------|---|-----|-----|--------------|---------|---------|-------------------------|-----|-----|
|                                      |                | Column I/O Pins   |     |     | Row I/O Pins |         |         | Dedicated Clock Outputs |     |     |
|                                      |                | -3  | -4  | -5  | -3           | -4      | -5      | -3                      | -4  | -5  |
| Differential SSTL-18 Class I (3)     | 4 mA           | 458   | 570 | 570 | -            | -       | -       | 505                     | 570 | 570 |
|                                      | 6 mA           | 305   | 380 | 380 | -            | -       | -       | 336                     | 380 | 380 |
|                                      | 8 mA           | 225   | 282 | 282 | -            | -       | -       | 248                     | 282 | 282 |
|                                      | 10 mA          | 167   | 220 | 220 | -            | -       | -       | 190                     | 220 | 220 |
|                                      | 12 mA          | 129   | 175 | 175 | -            | -       | -       | 148                     | 175 | 175 |
| Differential SSTL-18 Class II (3)    | 8 mA           | 173   | 206 | 206 | -            | -       | -       | 155                     | 206 | 206 |
|                                      | 16 mA          | 150   | 160 | 160 | -            | -       | -       | 140                     | 160 | 160 |
|                                      | 18 mA          | 120   | 130 | 130 | -            | -       | -       | 110                     | 130 | 130 |
|                                      | 20 mA          | 109   | 127 | 127 | -            | -       | -       | 94                      | 127 | 127 |
| 1.8-V Differential HSTL Class I (3)  | 4 mA           | 245   | 282 | 282 | -            | -       | -       | 229                     | 282 | 282 |
|                                      | 6 mA           | 164   | 188 | 188 | -            | -       | -       | 153                     | 188 | 188 |
|                                      | 8 mA           | 123   | 140 | 140 | -            | -       | -       | 114                     | 140 | 140 |
|                                      | 10 mA          | 110   | 124 | 124 | -            | -       | -       | 108                     | 124 | 124 |
|                                      | 12 mA          | 97  | 110 | 110 | -            | -       | -       | 104                     | 110 | 110 |
| 1.8-V Differential HSTL Class II (3) | 16 mA          | 101   | 104 | 104 | -            | -       | -       | 99                      | 104 | 104 |
|                                      | 18 mA          | 98  | 102 | 102 | -            | -       | -       | 93                      | 102 | 102 |
|                                      | 20 mA          | 93  | 99  | 99  | -            | -       | -       | 88                      | 99  | 99  |
| 1.5-V Differential HSTL Class I (3)  | 4 mA           | 168   | 196 | 196 | -            | -       | -       | 188                     | 196 | 196 |
|                                      | 6 mA           | 112   | 131 | 131 | -            | -       | -       | 125                     | 131 | 131 |
|                                      | 8 mA           | 84  | 99  | 99  | -            | -       | -       | 95                      | 99  | 99  |
|                                      | 10 mA          | 87  | 98  | 98  | -            | -       | -       | 90                      | 98  | 98  |
|                                      | 12 mA          | 86  | 98  | 98  | -            | -       | -       | 87                      | 98  | 98  |
| 1.5-V Differential HSTL Class II (3) | 16 mA          | 95  | 101 | 101 | -            | -       | -       | 96                      | 101 | 101 |
|                                      | 18 mA          | 95  | 100 | 100 | -            | -       | -       | 101                     | 100 | 100 |
|                                      | 20 mA          | 94  | 101 | 101 | -            | -       | -       | 104                     | 101 | 101 |
| 3.3-V PCI                            |                | 134   | 177 | 177 | -            | -       | -       | 143                     | 177 | 177 |
| 3.3-V PCI-X                          |                | 134   | 177 | 177 | -            | -       | -       | 143                     | 177 | 177 |
| LVDS                                 |                | -   | -   | -   | 155 (1)      | 155 (1) | 155 (1) | 134                     | 134 | 134 |
| HyperTransport technology            |                | -   | -   | -   | 155 (1)      | 155 (1) | 155 (1) | -                       | -   | -   |
| LVPECL (4)                           |                | -   | -   | -   | -            | -       | -       | 134                     | 134 | 134 |

**Table 5–79. Maximum Output Clock Toggle Rate Derating Factors (Part 5 of 5)**

| I/O Standard     | Drive Strength     | Maximum Output Clock Toggle Rate Derating Factors (ps/pF) |     |     |              |     |     |                         |     |     |
|------------------|--------------------|---|-----|-----|--------------|-----|-----|-------------------------|-----|-----|
|                  |                    | Column I/O Pins   |     |     | Row I/O Pins |     |     | Dedicated Clock Outputs |     |     |
|                  |                    | -3  | -4  | -5  | -3           | -4  | -5  | -3                      | -4  | -5  |
| 3.3-V LVTTTL     | OCT<br>50 $\Omega$ | 133   | 152 | 152 | 133          | 152 | 152 | 147                     | 152 | 152 |
| 2.5-V LVTTTL     | OCT<br>50 $\Omega$ | 207   | 274 | 274 | 207          | 274 | 274 | 235                     | 274 | 274 |
| 1.8-V LVTTTL     | OCT<br>50 $\Omega$ | 151   | 165 | 165 | 151          | 165 | 165 | 153                     | 165 | 165 |
| 3.3-V LVCMOS     | OCT<br>50 $\Omega$ | 300   | 316 | 316 | 300          | 316 | 316 | 263                     | 316 | 316 |
| 1.5-V LVCMOS     | OCT<br>50 $\Omega$ | 157   | 171 | 171 | 157          | 171 | 171 | 174                     | 171 | 171 |
| SSTL-2 Class I   | OCT<br>50 $\Omega$ | 121   | 134 | 134 | 121          | 134 | 134 | 77                      | 134 | 134 |
| SSTL-2 Class II  | OCT<br>25 $\Omega$ | 56  | 101 | 101 | 56           | 101 | 101 | 58                      | 101 | 101 |
| SSTL-18 Class I  | OCT<br>50 $\Omega$ | 100   | 123 | 123 | 100          | 123 | 123 | 106                     | 123 | 123 |
| SSTL-18 Class II | OCT<br>25 $\Omega$ | 61  | 110 | 110 | -            | -   | -   | 59                      | 110 | 110 |
| 1.2-V HSTL (2)   | OCT<br>50 $\Omega$ | 95  | -   | -   | -            | -   | -   | -                       | -   | 95  |

**Notes to Table 5–79:**

- (1) For LVDS and HyperTransport technology output on row I/O pins, the toggle rate derating factors apply to loads larger than 5 pF. In the derating calculation, subtract 5 pF from the intended load value in pF for the correct result. For a load less than or equal to 5 pF, refer to Table 5–78 for output toggle rates.
- (2) 1.2-V HSTL is only supported on column I/O pins in I/O banks 4,7, and 8.
- (3) Differential HSTL and SSTL is only supported on column clock and DQS outputs.
- (4) LVPECL is only supported on column clock outputs.

## Duty Cycle Distortion

Duty cycle distortion (DCD) describes how much the falling edge of a clock is off from its ideal position. The ideal position is when both the clock high time (CLKH) and the clock low time (CLKL) equal half of the clock period (T), as shown in Figure 5–7. DCD is the deviation of the non-ideal falling edge from the ideal falling edge, such as D1 for the falling edge A and D2 for the falling edge B (Figure 5–7). The maximum DCD for a clock is the larger value of D1 and D2.

**Figure 5-7. Duty Cycle Distortion**



DCD expressed in absolute derivation, for example,  $D1$  or  $D2$  in Figure 5-7, is clock-period independent. DCD can also be expressed as a percentage, and the percentage number is clock-period dependent. DCD as a percentage is defined as

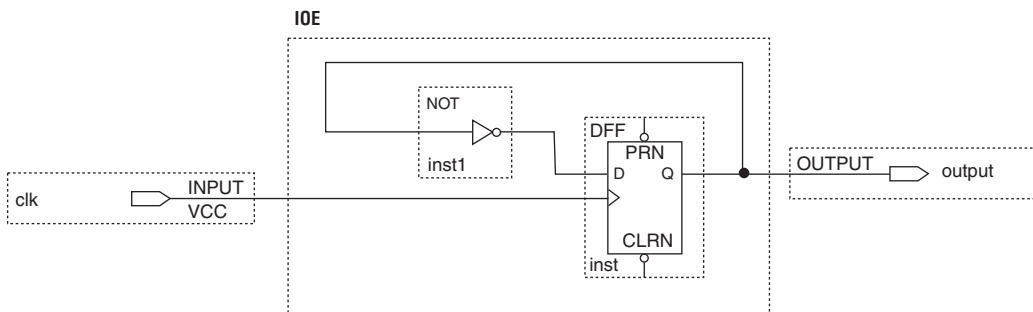
$$(T/2 - D1) / T \text{ (the low percentage boundary)}$$

$$(T/2 + D2) / T \text{ (the high percentage boundary)}$$

### DCD Measurement Techniques

DCD is measured at an FPGA output pin driven by registers inside the corresponding I/O element (IOE) block. When the output is a single data rate signal (non-DDIO), only one edge of the register input clock (positive or negative) triggers output transitions (Figure 5-8). Therefore, any DCD present on the input clock signal or caused by the clock input buffer or different input I/O standard does not transfer to the output signal.

**Figure 5-8. DCD Measurement Technique for Non-DDIO (Single-Data Rate) Outputs**





However, when the output is a double data rate input/output (DDIO) signal, both edges of the input clock signal (positive and negative) trigger output transitions (Figure 5–9). Therefore, any distortion on the input clock and the input clock buffer affect the output DCD.

Figure 5–9. DCD Measurement Technique for DDIO (Double-Data Rate) Outputs



When an FPGA PLL generates the internal clock, the PLL output clocks the IOE block. As the PLL only monitors the positive edge of the reference clock input and internally re-creates the output clock signal, any DCD present on the reference clock is filtered out. Therefore, the DCD for a DDIO output with PLL in the clock path is better than the DCD for a DDIO output without PLL in the clock path.

Tables 5–80 through 5–87 give the maximum DCD in absolute derivation for different I/O standards on Stratix II devices. Examples are also provided that show how to calculate DCD as a percentage.

Table 5–80. Maximum DCD for Non-DDIO Output on Row I/O Pins (Part 1 of 2) Note (1)

| Row I/O Output Standard | Maximum DCD for Non-DDIO Output |                 |      |
|-------------------------|---------------------------------|-----------------|------|
|                         | -3 Devices                      | -4 & -5 Devices | Unit |
| 3.3-V LVTTTL            | 245                             | 275             | ps   |
| 3.3-V LVCMOS            | 125                             | 155             | ps   |
| 2.5 V                   | 105                             | 135             | ps   |

| <b>Table 5–80. Maximum DCD for Non-DDIO Output on Row I/O Pins (Part 2 of 2)</b> <i>Note (1)</i> |  |                            |             |
|--|--|----------------------------|-------------|
| <b>Row I/O Output Standard</b>   | <b>Maximum DCD for Non-DDIO Output</b> |                            |             |
|  | <b>-3 Devices</b>                      | <b>-4 &amp; -5 Devices</b> | <b>Unit</b> |
| 1.8 V  | 180                                    | 180                        | ps          |
| 1.5-V LVCMOS   | 165                                    | 195                        | ps          |
| SSTL-2 Class I   | 115                                    | 145                        | ps          |
| SSTL-2 Class II  | 95                                     | 125                        | ps          |
| SSTL-18 Class I  | 55                                     | 85                         | ps          |
| 1.8-V HSTL Class I   | 80                                     | 100                        | ps          |
| 1.5-V HSTL Class I   | 85                                     | 115                        | ps          |
| LVDS/<br>HyperTransport<br>technology  | 55                                     | 80                         | ps          |

**Note to Table 5–80:**

- (1) The DCD specification is based on a no logic array noise condition.

Here is an example for calculating the DCD as a percentage for a non-DDIO output on a row I/O on a -3 device:

If the non-DDIO output I/O standard is SSTL-2 Class II, the maximum DCD is 95 ps (see Table 5–80). If the clock frequency is 267 MHz, the clock period T is:

$$T = 1 / f = 1 / 267 \text{ MHz} = 3.745 \text{ ns} = 3745 \text{ ps}$$

To calculate the DCD as a percentage:

$$(T/2 - \text{DCD}) / T = (3745\text{ps}/2 - 95\text{ps}) / 3745\text{ps} = 47.5\% \text{ (for low boundary)}$$

$$(T/2 + \text{DCD}) / T = (3745\text{ps}/2 + 95\text{ps}) / 3745\text{ps} = 52.5\% \text{ (for high boundary)}$$

Therefore, the DCD percentage for the 267 MHz SSTL-2 Class II non-DDIO row output clock on a -3 device ranges from 47.5% to 52.5%.

| Column I/O Output<br>Standard I/O<br>Standard | Maximum DCD for Non-DDIO Output |                 | Unit |
|---|---------------------------------|-----------------|------|
|   | -3 Devices                      | -4 & -5 Devices |      |
| 3.3-V LVTTTL                                  | 190                             | 220             | ps   |
| 3.3-V LVCMOS                                  | 140                             | 175             | ps   |
| 2.5 V   | 125                             | 155             | ps   |
| 1.8 V   | 80                              | 110             | ps   |
| 1.5-V LVCMOS                                  | 185                             | 215             | ps   |
| SSTL-2 Class I                                | 105                             | 135             | ps   |
| SSTL-2 Class II                               | 100                             | 130             | ps   |
| SSTL-18 Class I                               | 90                              | 115             | ps   |
| SSTL-18 Class II                              | 70                              | 100             | ps   |
| 1.8-V HSTL<br>Class I                         | 80                              | 110             | ps   |
| 1.8-V HSTL<br>Class II                        | 80                              | 110             | ps   |
| 1.5-V HSTL<br>Class I                         | 85                              | 115             | ps   |
| 1.5-V HSTL<br>Class II                        | 50                              | 80              | ps   |
| 1.2-V HSTL (2)                                | 170                             | -               | ps   |
| LVPECL  | 55                              | 80              | ps   |

**Notes to Table 5–81:**

- (1) The DCD specification is based on a no logic array noise condition.
- (2) 1.2-V HSTL is only supported in -3 devices.

**Table 5–82. Maximum DCD for DDIO Output on Row I/O Pins Without PLL in the Clock Path for -3 Devices** *Notes (1), (2)*

| Row DDIO Output I/O Standard    | Maximum DCD Based on I/O Standard of Input Feeding the DDIO Clock Port (No PLL in Clock Path) |             |        |             |                                | Unit |
|---------------------------------|---|-------------|--------|-------------|--------------------------------|------|
|                                 | TTL/CMOS  |             | SSTL-2 | SSTL/HSTL   | LVDS/HyperTransport Technology |      |
|                                 | 3.3 & 2.5 V   | 1.8 & 1.5 V | 2.5 V  | 1.8 & 1.5 V | 3.3 V                          |      |
| 3.3-V LVTTTL                    | 260   | 380         | 145    | 145         | 110                            | ps   |
| 3.3-V LVCMOS                    | 210   | 330         | 100    | 100         | 65                             | ps   |
| 2.5 V                           | 195   | 315         | 85     | 85          | 75                             | ps   |
| 1.8 V                           | 150   | 265         | 85     | 85          | 120                            | ps   |
| 1.5-V LVCMOS                    | 255   | 370         | 140    | 140         | 105                            | ps   |
| SSTL-2 Class I                  | 175   | 295         | 65     | 65          | 70                             | ps   |
| SSTL-2 Class II                 | 170   | 290         | 60     | 60          | 75                             | ps   |
| SSTL-18 Class I                 | 155   | 275         | 55     | 50          | 90                             | ps   |
| 1.8-V HSTL Class I              | 150   | 270         | 60     | 60          | 95                             | ps   |
| 1.5-V HSTL Class I              | 150   | 270         | 55     | 55          | 90                             | ps   |
| LVDS/ HyperTransport technology | 180   | 180         | 180    | 180         | 180                            | ps   |

**Notes to Table 5–82:**

- (1) The information in Table 5–82 assumes the input clock has zero DCD.
- (2) The DCD specification is based on a no logic array noise condition.

Here is an example for calculating the DCD in percentage for a DDIO output on a row I/O on a -3 device:

If the input I/O standard is SSTL-2 and the DDIO output I/O standard is SSTL-2 Class II, the maximum DCD is 60 ps (see Table 5–82). If the clock frequency is 267 MHz, the clock period T is:

$$T = 1 / f = 1 / 267 \text{ MHz} = 3.745 \text{ ns} = 3745 \text{ ps}$$

Calculate the DCD as a percentage:

$$(T/2 - \text{DCD}) / T = (3745\text{ps}/2 - 60\text{ps}) / 3745\text{ps} = 48.4\% \text{ (for low boundary)}$$

$$(T/2 + \text{DCD}) / T = (3745 \text{ ps}/2 + 60 \text{ ps}) / 3745\text{ps} = 51.6\% \text{ (for high boundary)}$$

Therefore, the DCD percentage for the 267 MHz SSTL-2 Class II DDIO row output clock on a -3 device ranges from 48.4% to 51.6%.

**Table 5–83. Maximum DCD for DDIO Output on Row I/O Pins Without PLL in the Clock Path for -4 & -5 Devices** Notes (1), (2)

| Row DDIO Output I/O Standard    | Maximum DCD Based on I/O Standard of Input Feeding the DDIO Clock Port (No PLL in the Clock Path) |           |        |           |                                       | Unit |
|---------------------------------|---|-----------|--------|-----------|---------------------------------------|------|
|                                 | TTL/CMOS  |           | SSTL-2 | SSTL/HSTL | LVDS/<br>HyperTransport<br>Technology |      |
|                                 | 3.3/2.5 V   | 1.8/1.5 V | 2.5 V  | 1.8/1.5 V | 3.3 V                                 |      |
| 3.3-V LVTTTL                    | 440   | 495       | 170    | 160       | 105                                   | ps   |
| 3.3-V LVCMOS                    | 390   | 450       | 120    | 110       | 75                                    | ps   |
| 2.5 V                           | 375   | 430       | 105    | 95        | 90                                    | ps   |
| 1.8 V                           | 325   | 385       | 90     | 100       | 135                                   | ps   |
| 1.5-V LVCMOS                    | 430   | 490       | 160    | 155       | 100                                   | ps   |
| SSTL-2 Class I                  | 355   | 410       | 85     | 75        | 85                                    | ps   |
| SSTL-2 Class II                 | 350   | 405       | 80     | 70        | 90                                    | ps   |
| SSTL-18 Class I                 | 335   | 390       | 65     | 65        | 105                                   | ps   |
| 1.8-V HSTL Class I              | 330   | 385       | 60     | 70        | 110                                   | ps   |
| 1.5-V HSTL Class I              | 330   | 390       | 60     | 70        | 105                                   | ps   |
| LVDS/ HyperTransport technology | 180   | 180       | 180    | 180       | 180                                   | ps   |

Notes to Table 5–83:

- (1) Table 5–83 assumes the input clock has zero DCD.
- (2) The DCD specification is based on a no logic array noise condition.

**Table 5–84. Maximum DCD for DDIO Output on Column I/O Pins Without PLL in the Clock Path for -3 Devices (Part 1 of 2)** Notes (1), (2)

| DDIO Column Output I/O Standard | Maximum DCD Based on I/O Standard of Input Feeding the DDIO Clock Port (No PLL in the Clock Path) |           |        |           |               | Unit |
|---------------------------------|---|-----------|--------|-----------|---------------|------|
|                                 | TTL/CMOS  |           | SSTL-2 | SSTL/HSTL | 1.2-V<br>HSTL |      |
|                                 | 3.3/2.5 V   | 1.8/1.5 V | 2.5 V  | 1.8/1.5 V | 1.2 V         |      |
| 3.3-V LVTTTL                    | 260   | 380       | 145    | 145       | 145           | ps   |
| 3.3-V LVCMOS                    | 210   | 330       | 100    | 100       | 100           | ps   |
| 2.5 V                           | 195   | 315       | 85     | 85        | 85            | ps   |

**Table 5–84. Maximum DCD for DDIO Output on Column I/O Pins Without PLL in the Clock Path for -3 Devices (Part 2 of 2)** Notes (1), (2)

| DDIO Column Output I/O Standard | Maximum DCD Based on I/O Standard of Input Feeding the DDIO Clock Port (No PLL in the Clock Path) |           |        |           |            | Unit |
|---------------------------------|---|-----------|--------|-----------|------------|------|
|                                 | TTL/CMOS  |           | SSTL-2 | SSTL/HSTL | 1.2-V HSTL |      |
|                                 | 3.3/2.5 V   | 1.8/1.5 V | 2.5 V  | 1.8/1.5 V | 1.2 V      |      |
| 1.8 V                           | 150   | 265       | 85     | 85        | 85         | ps   |
| 1.5-V LVCMOS                    | 255   | 370       | 140    | 140       | 140        | ps   |
| SSTL-2 Class I                  | 175   | 295       | 65     | 65        | 65         | ps   |
| SSTL-2 Class II                 | 170   | 290       | 60     | 60        | 60         | ps   |
| SSTL-18 Class I                 | 155   | 275       | 55     | 50        | 50         | ps   |
| SSTL-18 Class II                | 140   | 260       | 70     | 70        | 70         | ps   |
| 1.8-V HSTL Class I              | 150   | 270       | 60     | 60        | 60         | ps   |
| 1.8-V HSTL Class II             | 150   | 270       | 60     | 60        | 60         | ps   |
| 1.5-V HSTL Class I              | 150   | 270       | 55     | 55        | 55         | ps   |
| 1.5-V HSTL Class II             | 125   | 240       | 85     | 85        | 85         | ps   |
| 1.2-V HSTL                      | 240   | 360       | 155    | 155       | 155        | ps   |
| LVPECL                          | 180   | 180       | 180    | 180       | 180        | ps   |

**Notes to Table 5–84:**

- (1) Table 5–84 assumes the input clock has zero DCD.
- (2) The DCD specification is based on a no logic array noise condition.

**Table 5–85. Maximum DCD for DDIO Output on Column I/O Pins Without PLL in the Clock Path for -4 & -5 Devices (Part 1 of 2)** Notes (1), (2)

| DDIO Column Output I/O Standard | Maximum DCD Based on I/O Standard of Input Feeding the DDIO Clock Port (No PLL in the Clock Path) |           |        |           | Unit |
|---------------------------------|---|-----------|--------|-----------|------|
|                                 | TTL/CMOS  |           | SSTL-2 | SSTL/HSTL |      |
|                                 | 3.3/2.5 V   | 1.8/1.5 V | 2.5 V  | 1.8/1.5 V |      |
| 3.3-V LVTTTL                    | 440   | 495       | 170    | 160       | ps   |
| 3.3-V LVCMOS                    | 390   | 450       | 120    | 110       | ps   |
| 2.5 V                           | 375   | 430       | 105    | 95        | ps   |
| 1.8 V                           | 325   | 385       | 90     | 100       | ps   |
| 1.5-V LVCMOS                    | 430   | 490       | 160    | 155       | ps   |
| SSTL-2 Class I                  | 355   | 410       | 85     | 75        | ps   |
| SSTL-2 Class II                 | 350   | 405       | 80     | 70        | ps   |

**Table 5–85. Maximum DCD for DDIO Output on Column I/O Pins Without PLL in the Clock Path for -4 & -5 Devices (Part 2 of 2)** *Notes (1), (2)*

| DDIO Column Output I/O Standard | Maximum DCD Based on I/O Standard of Input Feeding the DDIO Clock Port (No PLL in the Clock Path) |           |        |           | Unit |
|---------------------------------|---|-----------|--------|-----------|------|
|                                 | TTL/CMOS  |           | SSTL-2 | SSTL/HSTL |      |
|                                 | 3.3/2.5 V   | 1.8/1.5 V | 2.5 V  | 1.8/1.5 V |      |
| SSTL-18 Class I                 | 335   | 390       | 65     | 65        | ps   |
| SSTL-18 Class II                | 320   | 375       | 70     | 80        | ps   |
| 1.8-V HSTL Class I              | 330   | 385       | 60     | 70        | ps   |
| 1.8-V HSTL Class II             | 330   | 385       | 60     | 70        | ps   |
| 1.5-V HSTL Class I              | 330   | 390       | 60     | 70        | ps   |
| 1.5-V HSTL Class II             | 330   | 360       | 90     | 100       | ps   |
| 1.2-V HSTL                      | 420   | 470       | 155    | 165       | ps   |
| LVPECL                          | 180   | 180       | 180    | 180       | ps   |

**Notes to Table 5–85:**

- (1) Table 5–85 assumes the input clock has zero DCD.
- (2) The DCD specification is based on a no logic array noise condition.

**Table 5–86. Maximum DCD for DDIO Output on Row I/O Pins with PLL in the Clock Path (Part 1 of 2)** *Note (1)*

| Row DDIO Output I/O Standard | Maximum DCD (PLL Output Clock Feeding DDIO Clock Port) |                | Unit |
|------------------------------|--|----------------|------|
|                              | -3 Device  | -4 & -5 Device |      |
| 3.3-V LVTTTL                 | 110  | 105            | ps   |
| 3.3-V LVCMOS                 | 65   | 75             | ps   |
| 2.5V                         | 75   | 90             | ps   |
| 1.8V                         | 85   | 100            | ps   |
| 1.5-V LVCMOS                 | 105  | 100            | ps   |
| SSTL-2 Class I               | 65   | 75             | ps   |
| SSTL-2 Class II              | 60   | 70             | ps   |
| SSTL-18 Class I              | 50   | 65             | ps   |
| 1.8-V HSTL Class I           | 50   | 70             | ps   |
| 1.5-V HSTL Class I           | 55   | 70             | ps   |

**Table 5–86. Maximum DCD for DDIO Output on Row I/O Pins with PLL in the Clock Path (Part 2 of 2)** *Note (1)*

| Row DDIO Output I/O Standard    | Maximum DCD (PLL Output Clock Feeding DDIO Clock Port) |                | Unit |
|---------------------------------|--|----------------|------|
|                                 | -3 Device  | -4 & -5 Device |      |
| LVDS/ HyperTransport technology | 180  | 180            | ps   |

*Note to Table 5–86:*

- (1) The DCD specification is based on a no logic array noise condition.

**Table 5–87. Maximum DCD for DDIO Output on Column I/O with PLL in the Clock Path** *Note (1)*

| Column DDIO Output I/O Standard | Maximum DCD (PLL Output Clock Feeding DDIO Clock Port) |                | Unit |
|---------------------------------|--|----------------|------|
|                                 | -3 Device  | -4 & -5 Device |      |
| 3.3-V LVTTTL                    | 145  | 160            | ps   |
| 3.3-V LVCMOS                    | 100  | 110            | ps   |
| 2.5V                            | 85   | 95             | ps   |
| 1.8V                            | 85   | 100            | ps   |
| 1.5-V LVCMOS                    | 140  | 155            | ps   |
| SSTL-2 Class I                  | 65   | 75             | ps   |
| SSTL-2 Class II                 | 60   | 70             | ps   |
| SSTL-18 Class I                 | 50   | 65             | ps   |
| SSTL-18 Class II                | 70   | 80             | ps   |
| 1.8-V HSTL Class I              | 60   | 70             | ps   |
| 1.8-V HSTL Class II             | 60   | 70             | ps   |
| 1.5-V HSTL Class I              | 55   | 70             | ps   |
| 1.5-V HSTL Class II             | 85   | 100            | ps   |
| 1.2-V HSTL                      | 155  | -              | ps   |
| LVPECL                          | 180  | 180            | ps   |

*Notes to Table 5–87:*

- (1) The DCD specification is based on a no logic array noise condition.  
 (2) 1.2-V HSTL is only supported in -3 devices.



## High-Speed I/O Specifications

Table 5–88 provides high-speed timing specifications definitions.

| High-Speed Timing Specifications | Definitions   |
|----------------------------------|---|
| $t_C$                            | High-speed receiver/transmitter input and output clock period.  |
| $f_{HSCLK}$                      | High-speed receiver/transmitter input and output clock frequency.   |
| J                                | Deserialization factor (width of parallel data bus).  |
| W                                | PLL multiplication factor.  |
| $t_{RISE}$                       | Low-to-high transmission time.  |
| $t_{FALL}$                       | High-to-low transmission time.  |
| Timing unit interval (TUI)       | The timing budget allowed for skew, propagation delays, and data sampling window. (TUI = 1/(Receiver Input Clock Frequency × Multiplication Factor) = $t_C/w$ ).                  |
| $f_{HSDR}$                       | Maximum/minimum LVDS data transfer rate ( $f_{HSDR} = 1/TUI$ ), non-DPA.  |
| $f_{HSDRDPA}$                    | Maximum/minimum LVDS data transfer rate ( $f_{HSDRDPA} = 1/TUI$ ), DPA.   |
| Channel-to-channel skew (TCCS)   | The timing difference between the fastest and slowest output edges, including $t_{CO}$ variation and clock skew. The clock is included in the TCCS measurement.                   |
| Sampling window (SW)             | The period of time during which the data must be valid in order to capture it correctly. The setup and hold times determine the ideal strobe position within the sampling window. |
| Input jitter                     | Peak-to-peak input jitter on high-speed PLLs.   |
| Output jitter                    | Peak-to-peak output jitter on high-speed PLLs.  |
| $t_{DUTY}$                       | Duty cycle on high-speed transmitter output clock.  |
| $t_{LOCK}$                       | Lock time for high-speed transmitter and receiver PLLs.   |

Table 5–89 shows the high-speed I/O timing specifications for -3 speed grade Stratix II devices.

| Symbol  | Conditions   | -3 Speed Grade |     |     | Unit |
|---|--|----------------|-----|-----|------|
|   |  | Min            | Typ | Max |      |
| $f_{HSCLK}$ (clock frequency)<br>$f_{HSCLK} = f_{HSDR} / W$ | W = 2 to 32 (LVDS, HyperTransport technology)<br>(3) | 16             |     | 520 | MHz  |
|   | W = 1 (SERDES bypass, LVDS only)                     | 16             |     | 500 | MHz  |
|   | W = 1 (SERDES used, LVDS only)                       | 150            |     | 717 | MHz  |

| Symbol                               | Conditions                                    |                          |                           | -3 Speed Grade |     |       | Unit                  |
|--------------------------------------|---|--------------------------|---------------------------|----------------|-----|-------|-----------------------|
|                                      |   |                          |                           | Min            | Typ | Max   |                       |
| $f_{\text{HSDR}}$ (data rate)        | J = 4 to 10 (LVDS, HyperTransport technology) |                          |                           | 150            |     | 1,040 | Mbps                  |
|                                      | J = 2 (LVDS, HyperTransport technology)       |                          |                           | (4)            |     | 760   | Mbps                  |
|                                      | J = 1 (LVDS only)                             |                          |                           | (4)            |     | 500   | Mbps                  |
| $f_{\text{HSDRDPA}}$ (DPA data rate) | J = 4 to 10 (LVDS, HyperTransport technology) |                          |                           | 150            |     | 1,040 | Mbps                  |
| TCCS                                 | All differential standards                    |                          |                           | -              |     | 200   | ps                    |
| SW                                   | All differential standards                    |                          |                           | 330            |     | -     | ps                    |
| Output jitter                        |   |                          |                           |                |     | 190   | ps                    |
| Output $t_{\text{RISE}}$             | All differential I/O standards                |                          |                           |                |     | 160   | ps                    |
| Output $t_{\text{FALL}}$             | All differential I/O standards                |                          |                           |                |     | 180   | ps                    |
| $t_{\text{DUTY}}$                    |   |                          |                           | 45             | 50  | 55    | %                     |
| DPA run length                       |   |                          |                           |                |     | 6,400 | UI                    |
| DPA jitter tolerance                 | Data channel peak-to-peak jitter              |                          |                           | 0.44           |     |       | UI                    |
| DPA lock time                        | <b>Standard</b>                               | <b>Training Pattern</b>  | <b>Transition Density</b> |                |     |       | Number of repetitions |
|                                      | SPI-4   | 0000000000<br>1111111111 | 10%                       | 256            |     |       |                       |
|                                      | Parallel Rapid I/O                            | 00001111                 | 25%                       | 256            |     |       |                       |
|                                      |   | 10010000                 | 50%                       | 256            |     |       |                       |
|                                      | Miscellaneous                                 | 10101010                 | 100%                      | 256            |     |       |                       |
| 01010101                             |   |                          | 256                       |                |     |       |                       |

**Notes to Table 5–89:**

- (1) When J = 4 to 10, the SERDES block is used.
- (2) When J = 1 or 2, the SERDES block is bypassed.
- (3) The input clock frequency and the W factor must satisfy the following fast PLL VCO specification:  $150 \leq \text{input clock frequency} \times W \leq 1,040$ .
- (4) The minimum specification is dependent on the clock source (fast PLL, enhanced PLL, clock pin, and so on) and the clock routing resource (global, regional, or local) utilized. The I/O differential buffer and input register do not have a minimum toggle rate.

Table 5–90 shows the high-speed I/O timing specifications for -4 speed grade Stratix II devices.

| Symbol   | Conditions   | -4 Speed Grade           |                           |       | Unit |                       |
|--|--|--------------------------|---------------------------|-------|------|-----------------------|
|  |  | Min                      | Typ                       | Max   |      |                       |
| $f_{\text{HSCLK}}$ (clock frequency)<br>$f_{\text{HSCLK}} = f_{\text{HSDR}} / W$ | W = 2 to 32 (LVDS, HyperTransport technology)<br>(3) | 16                       |                           | 520   | MHz  |                       |
|  | W = 1 (SERDES bypass, LVDS only)                     | 16                       |                           | 500   | MHz  |                       |
|  | W = 1 (SERDES used, LVDS only)                       | 150                      |                           | 717   | MHz  |                       |
| $f_{\text{HSDR}}$ (data rate)  | J = 4 to 10 (LVDS, HyperTransport technology)        | 150                      |                           | 1,040 | Mbps |                       |
|  | J = 2 (LVDS, HyperTransport technology)              | (4)                      |                           | 760   | Mbps |                       |
|  | J = 1 (LVDS only)                                    | (4)                      |                           | 500   | Mbps |                       |
| $f_{\text{HSDRDPA}}$ (DPA data rate)   | J = 4 to 10 (LVDS, HyperTransport technology)        | 150                      |                           | 1,040 | Mbps |                       |
| TCCS   | All differential standards                           | -                        |                           | 200   | ps   |                       |
| SW   | All differential standards                           | 330                      |                           | -     | ps   |                       |
| Output jitter  |  |                          |                           | 190   | ps   |                       |
| Output $t_{\text{RISE}}$   | All differential I/O standards                       |                          |                           | 160   | ps   |                       |
| Output $t_{\text{FALL}}$   | All differential I/O standards                       |                          |                           | 180   | ps   |                       |
| $t_{\text{DUTY}}$  |  | 45                       | 50                        | 55    | %    |                       |
| DPA run length   |  |                          |                           | 6,400 | UI   |                       |
| DPA jitter tolerance   | Data channel peak-to-peak jitter                     | 0.44                     |                           |       | UI   |                       |
| DPA lock time  | <b>Standard</b>                                      | <b>Training Pattern</b>  | <b>Transition Density</b> |       |      | Number of repetitions |
|  | SPI-4  | 0000000000<br>1111111111 | 10%                       | 256   |      |                       |
|  | Parallel Rapid I/O                                   | 00001111                 | 25%                       | 256   |      |                       |
|  |  | 10010000                 | 50%                       | 256   |      |                       |
|  | Miscellaneous  | 10101010                 | 100%                      | 256   |      |                       |
| 01010101   |  |                          | 256                       |       |      |                       |

**Notes to Table 5–90:**

- (1) When J = 4 to 10, the SERDES block is used.
- (2) When J = 1 or 2, the SERDES block is bypassed.
- (3) The input clock frequency and the W factor must satisfy the following fast PLL VCO specification:  $150 \leq \text{input clock frequency} \times W \leq 1,040$ .
- (4) The minimum specification is dependent on the clock source (fast PLL, enhanced PLL, clock pin, and so on) and the clock routing resource (global, regional, or local) utilized. The I/O differential buffer and input register do not have a minimum toggle rate.

Table 5–91 shows the high-speed I/O timing specifications for -5 speed grade Stratix II devices.

**Table 5–91. High-Speed I/O Specifications for -5 Speed Grade**      *Notes (1), (2)*

| Symbol   | Conditions   | -5 Speed Grade          |                           |       | Unit |                       |
|--|--|-------------------------|---------------------------|-------|------|-----------------------|
|  |  | Min                     | Typ                       | Max   |      |                       |
| $f_{\text{HSCLK}}$ (clock frequency)<br>$f_{\text{HSCLK}} = f_{\text{HSDR}} / W$ | W = 2 to 32 (LVDS, HyperTransport technology)<br>(3) | 16                      |                           | 420   | MHz  |                       |
|  | W = 1 (SERDES bypass, LVDS only)                     | 16                      |                           | 500   | MHz  |                       |
|  | W = 1 (SERDES used, LVDS only)                       | 150                     |                           | 640   | MHz  |                       |
| $f_{\text{HSDR}}$ (data rate)  | J = 4 to 10 (LVDS, HyperTransport technology)        | 150                     |                           | 840   | Mbps |                       |
|  | J = 2 (LVDS, HyperTransport technology)              | (4)                     |                           | 700   | Mbps |                       |
|  | J = 1 (LVDS only)                                    | (4)                     |                           | 500   | Mbps |                       |
| $f_{\text{HSDRDPA}}$ (DPA data rate)   | J = 4 to 10 (LVDS, HyperTransport technology)        | 150                     |                           | 840   | Mbps |                       |
| TCCS   | All differential I/O standards                       | -                       |                           | 200   | ps   |                       |
| SW   | All differential I/O standards                       | 440                     |                           | -     | ps   |                       |
| Output jitter  |  |                         |                           | 190   | ps   |                       |
| Output $t_{\text{RISE}}$   | All differential I/O standards                       |                         |                           | 290   | ps   |                       |
| Output $t_{\text{FALL}}$   | All differential I/O standards                       |                         |                           | 290   | ps   |                       |
| $t_{\text{DUTY}}$  |  | 45                      | 50                        | 55    | %    |                       |
| DPA run length   |  |                         |                           | 6,400 | UI   |                       |
| DPA jitter tolerance   | Data channel peak-to-peak jitter                     | 0.44                    |                           |       | UI   |                       |
| DPA lock time  | <b>Standard</b>                                      | <b>Training Pattern</b> | <b>Transition Density</b> |       |      | Number of repetitions |
|  | SPI-4  | 0000000000              | 10%                       | 256   |      |                       |
|  |  | 1111111111              |                           |       |      |                       |
|  | Parallel Rapid I/O                                   | 00001111                | 25%                       | 256   |      |                       |
|  |  | 10010000                | 50%                       | 256   |      |                       |
| Miscellaneous  |  | 10101010                | 100%                      | 256   |      |                       |
|  | 01010101   |                         | 256                       |       |      |                       |

**Notes to Table 5–91:**

- (1) When J = 4 to 10, the SERDES block is used.
- (2) When J = 1 or 2, the SERDES block is bypassed.
- (3) The input clock frequency and the W factor must satisfy the following fast PLL VCO specification:  $150 \leq \text{input clock frequency} \times W \leq 1,040$ .
- (4) The minimum specification is dependent on the clock source (fast PLL, enhanced PLL, clock pin, and so on) and the clock routing resource (global, regional, or local) utilized. The I/O differential buffer and input register do not have a minimum toggle rate.

## PLL Timing Specifications

Tables 5–92 and 5–93 describe the Stratix II PLL specifications when operating in both the commercial junction temperature range (0 to 85 °C) and the industrial junction temperature range (–40 to 100 °C).

**Table 5–92. Enhanced PLL Specifications (Part 1 of 2)**

| Name            | Description  | Min        | Typ               | Max   | Unit            |
|-----------------|--|------------|-------------------|---|-----------------|
| $f_{IN}$        | Input clock frequency  | 2          |                   | 500   | MHz             |
| $f_{INPFD}$     | Input frequency to the PFD   | 2          |                   | 420   | MHz             |
| $f_{INDUTY}$    | Input clock duty cycle   | 40         |                   | 60  | %               |
| $f_{EINDUTY}$   | External feedback input clock duty cycle   | 40         |                   | 60  | %               |
| $t_{INJITTER}$  | Input or external feedback clock input jitter tolerance in terms of period jitter. Bandwidth $\leq$ 0.85 MHz |            | 0.5               |   | ns (p-p)        |
|                 | Input or external feedback clock input jitter tolerance in terms of period jitter. Bandwidth $>$ 0.85 MHz    |            | 1.0               |   | ns (p-p)        |
| $t_{OUTJITTER}$ | Dedicated clock output period jitter   |            |                   | 250 ps for $\geq$ 100 MHz $out_{clk}$<br>25 mUI for $<$ 100 MHz $out_{clk}$ | ps or mUI (p-p) |
| $t_{FCOMP}$     | External feedback compensation time  |            |                   | 10  | ns              |
| $f_{OUT}$       | Output frequency for internal global or regional clock   | 1.5<br>(2) |                   | 550.0   | MHz             |
| $t_{OUTDUTY}$   | Duty cycle for external clock output (when set to 50%).  | 45         | 50                | 55  | %               |
| $f_{SCANCLK}$   | Scanclk frequency  |            |                   | 100   | MHz             |
| $t_{CONFIGPLL}$ | Time required to reconfigure scan chains for enhanced PLLs   |            | $174/f_{SCANCLK}$ |   | ns              |
| $f_{OUT\_EXT}$  | PLL external clock output frequency  | 1.5<br>(2) |                   | 550.0 (1)   | MHz             |

**Table 5–92. Enhanced PLL Specifications (Part 2 of 2)**

| Name                   | Description  | Min  | Typ  | Max   | Unit |
|------------------------|--|------|------|-------|------|
| $t_{LOCK}$             | Time required for the PLL to lock from the time it is enabled or the end of device configuration   |      | 0.03 | 1     | ms   |
| $t_{DLOCK}$            | Time required for the PLL to lock dynamically after automatic clock switchover between two identical clock frequencies                     |      |      | 1     | ms   |
| $f_{SWITCHOVER}$       | Frequency range where the clock switchover performs properly   | 4    |      | 500   | MHz  |
| $f_{CLBW}$             | PLL closed-loop bandwidth  | 0.13 | 1.20 | 16.90 | MHz  |
| $f_{VCO}$              | PLL VCO operating range for –3 and –4 speed grade devices  | 300  |      | 1,040 | MHz  |
|                        | PLL VCO operating range for –5 speed grade devices   | 300  |      | 840   | MHz  |
| $f_{SS}$               | Spread-spectrum modulation frequency   | 30   |      | 150   | kHz  |
| % spread               | Percent down spread for a given clock frequency  | 0.4  | 0.5  | 0.6   | %    |
| $t_{PLL\_PSERR}$       | Accuracy of PLL phase shift  |      |      | ±15   | ps   |
| $t_{ARESET}$           | Minimum pulse width on <code>areset</code> signal.   | 10   |      |       | ns   |
| $t_{ARESET\_RECONFIG}$ | Minimum pulse width on the <code>areset</code> signal when using PLL reconfiguration. Reset the PLL after <code>scandone</code> goes high. | 500  |      |       | ns   |

**Notes to Table 5–92:**

- (1) Limited by I/O  $f_{MAX}$ . See Table 5–78 on page 5–69 for the maximum. Cannot exceed  $f_{OUT}$  specification.
- (2) If the counter cascading feature of the PLL is utilized, there is no minimum output clock frequency.

**Table 5–93. Fast PLL Specifications**

| Name                   | Description  | Min    | Typ              | Max      | Unit     |
|------------------------|--|--------|------------------|----------|----------|
| $f_{IN}$               | Input clock frequency (for -3 and -4 speed grade devices)  | 16.08  |                  | 717      | MHz      |
|                        | Input clock frequency (for -5 speed grade devices)   | 16.08  |                  | 640      | MHz      |
| $f_{INPFD}$            | Input frequency to the PFD   | 16.08  |                  | 500      | MHz      |
| $f_{INDUTY}$           | Input clock duty cycle   | 40     |                  | 60       | %        |
| $t_{INJITTER}$         | Input clock jitter tolerance in terms of period jitter. Bandwidth $\leq 2$ MHz   |        | 0.5              |          | ns (p-p) |
|                        | Input clock jitter tolerance in terms of period jitter. Bandwidth $> 2$ MHz  |        | 1.0              |          | ns (p-p) |
| $f_{VCO}$              | Upper VCO frequency range for -3 and -4 speed grades   | 300    |                  | 1,040    | MHz      |
|                        | Upper VCO frequency range for -5 speed grades  | 300    |                  | 840      | MHz      |
|                        | Lower VCO frequency range for -3 and -4 speed grades   | 150    |                  | 520      | MHz      |
|                        | Lower VCO frequency range for -5 speed grades  | 150    |                  | 420      | MHz      |
| $f_{OUT}$              | PLL output frequency to <i>GCLK</i> or <i>RCLK</i>   | 4.6875 |                  | 550      | MHz      |
|                        | PLL output frequency to LVDS or DPA clock  | 150    |                  | 1,040    | MHz      |
| $f_{OUT\_IO}$          | PLL clock output frequency to regular I/O pin  | 4.6875 |                  | (1)      | MHz      |
| $f_{SCANCLK}$          | Scanclk frequency  |        |                  | 100      | MHz      |
| $t_{CONFIGPLL}$        | Time required to reconfigure scan chains for fast PLLs   |        | $75/f_{SCANCLK}$ |          | ns       |
| $f_{CLBW}$             | PLL closed-loop bandwidth  | 1.16   | 5.00             | 28.00    | MHz      |
| $t_{LOCK}$             | Time required for the PLL to lock from the time it is enabled or the end of the device configuration                           |        | 0.03             | 1.00     | ms       |
| $t_{PLL\_PSERR}$       | Accuracy of PLL phase shift  |        |                  | $\pm 15$ | ps       |
| $t_{ARESET}$           | Minimum pulse width on <i>areset</i> signal.   | 10     |                  |          | ns       |
| $t_{ARESET\_RECONFIG}$ | Minimum pulse width on the <i>areset</i> signal when using PLL reconfiguration. Reset the PLL after <i>scandone</i> goes high. | 500    |                  |          | ns       |

Note to Table 5–93:

(1) Limited by I/O  $f_{MAX}$ . See Table 5–77 on page 5–67 for the maximum.

## External Memory Interface Specifications

Tables 5–94 through 5–101 contain Stratix II device specifications for the dedicated circuitry used for interfacing with external memory devices.

**Table 5–94. DLL Frequency Range Specifications**

| Frequency Mode | Frequency Range                     | Resolution (Degrees) |
|----------------|-------------------------------------|----------------------|
| 0              | 100 to 175                          | 30                   |
| 1              | 150 to 230                          | 22.5                 |
| 2              | 200 to 310                          | 30                   |
| 3              | 240 to 400 (–3 speed grade)         | 36                   |
|                | 240 to 350 (–4 and –5 speed grades) | 36                   |

Table 5–95 lists the maximum delay in the fast timing model for the Stratix II DQS delay buffer. Multiply the number of delay buffers that you are using in the DQS logic block to get the maximum delay achievable in your system. For example, if you implement a 90° phase shift at 200 MHz, you use three delay buffers in mode 2. The maximum achievable delay from the DQS block is then  $3 \times .416 \text{ ps} = 1.248 \text{ ns}$ .

**Table 5–95. DQS Delay Buffer Maximum Delay in Fast Timing Model**

| Frequency Mode | Maximum Delay Per Delay Buffer (Fast Timing Model) | Unit |
|----------------|--|------|
| 0              | 0.833  | ns   |
| 1, 2, 3        | 0.416  | ns   |

**Table 5–96. DQS Period Jitter Specifications for DLL-Delayed Clock (iDQS\_JITTER) Note (1)**

| Number of DQS Delay Buffer Stages (2) | Commercial | Industrial | Unit |
|---------------------------------------|------------|------------|------|
| 1                                     | 80         | 110        | ps   |
| 2                                     | 110        | 130        | ps   |
| 3                                     | 130        | 180        | ps   |
| 4                                     | 160        | 210        | ps   |

**Notes to Table 5–96:**

- (1) Peak-to-peak period jitter on the phase shifted DQS clock.
- (2) Delay stages used for requested DQS phase shift are reported in your project's Compilation Report in the Quartus II software.



**Table 5–97. DQS Phase Jitter Specifications for DLL-Delayed Clock (tDQS\_PHASE\_JITTER) Note (1)**

| Number of DQS Delay Buffer Stages (2) | DQS Phase Jitter | Unit |
|---------------------------------------|------------------|------|
| 1                                     | 30               | ps   |
| 2                                     | 60               | ps   |
| 3                                     | 90               | ps   |
| 4                                     | 120              | ps   |

**Notes to Table 5–97:**

- (1) Peak-to-peak phase jitter on the phase shifted DDS clock (digital jitter is caused by DLL tracking).
- (2) Delay stages used for requested DQS phase shift are reported in your project's Compilation Report in the Quartus II software.

**Table 5–98. DQS Phase-Shift Error Specifications for DLL-Delayed Clock (tDQS\_PSERR) (1)**

| Number of DQS Delay Buffer Stages (2) | –3 Speed Grade | –4 Speed Grade | –5 Speed Grade | Unit |
|---------------------------------------|----------------|----------------|----------------|------|
| 1                                     | 25             | 30             | 35             | ps   |
| 2                                     | 50             | 60             | 70             | ps   |
| 3                                     | 75             | 90             | 105            | ps   |
| 4                                     | 100            | 120            | 140            | ps   |

**Notes to Table 5–98:**

- (1) This error specification is the absolute maximum and minimum error. For example, skew on three delay buffer stages in a C3 speed grade is 75 ps or  $\pm 37.5$  ps.
- (2) Delay stages used for requested DQS phase shift are reported in your project's Compilation Report in the Quartus II software.

**Table 5–99. DQS Bus Clock Skew Adder Specifications (tDQS\_CLOCK\_SKEW\_ADDER)**

| Mode           | DQS Clock Skew Adder | Unit |
|----------------|----------------------|------|
| ×4 DQ per DQS  | 40                   | ps   |
| ×9 DQ per DQS  | 70                   | ps   |
| ×18 DQ per DQS | 75                   | ps   |
| ×36 DQ per DQS | 95                   | ps   |

**Note to Table 5–99:**

- (1) This skew specification is the absolute maximum and minimum skew. For example, skew on a ×4 DQ group is 40 ps or  $\pm 20$  ps.

**Table 5–100. DQS Phase Offset Delay Per Stage** *Notes (1), (2), (3)*

| Speed Grade | Min | Max | Unit |
|-------------|-----|-----|------|
| -3          | 9   | 14  | ps   |
| -4          | 9   | 14  | ps   |
| -5          | 9   | 15  | ps   |

**Notes to Table 5–100:**

- (1) The delay settings are linear.
- (2) The valid settings for phase offset are -64 to +63 for frequency mode 0 and -32 to +31 for frequency modes 1, 2, and 3.
- (3) The typical value equals the average of the minimum and maximum values.

**Table 5–101. DDIO Outputs Half-Period Jitter** *Notes (1), (2)*

| Name                | Description                                   | Max | Unit |
|---------------------|---|-----|------|
| $t_{OUTHALFJITTER}$ | Half-period jitter (PLL driving DDIO outputs) | 200 | ps   |

**Notes to Table 5–101:**

- (1) The worst-case half period is equal to the ideal half period subtracted by the DCD and half-period jitter values.
- (2) The half-period jitter was characterized using a PLL driving DDIO outputs.

## JTAG Timing Specifications

Figure 5–10 shows the timing requirements for the JTAG signals.

**Figure 5–10. Stratix II JTAG Waveforms**



Table 5–102 shows the JTAG timing parameters and values for Stratix II devices.

| Symbol     | Parameter                                | Min | Max    | Unit |
|------------|--|-----|--------|------|
| $t_{JCP}$  | TCK clock period                         | 30  |        | ns   |
| $t_{JCH}$  | TCK clock high time                      | 13  |        | ns   |
| $t_{JCL}$  | TCK clock low time                       | 13  |        | ns   |
| $t_{JPSU}$ | JTAG port setup time                     | 3   |        | ns   |
| $t_{JPH}$  | JTAG port hold time                      | 5   |        | ns   |
| $t_{JPCO}$ | JTAG port clock to output                |     | 11 (1) | ns   |
| $t_{JPZX}$ | JTAG port high impedance to valid output |     | 14 (1) | ns   |
| $t_{JPXZ}$ | JTAG port valid output to high impedance |     | 14 (1) | ns   |

**Note to Table 5–102:**

- (1) A 1 ns adder is required for each  $V_{CCIO}$  voltage step down from 3.3 V. For example,  $t_{JPCO} = 12$  ns if  $V_{CCIO}$  of the TDO I/O bank = 2.5 V, or 13 ns if it equals 1.8 V.

## Document Revision History

Table 5–103 shows the revision history for this chapter.

| Date and Document Version | Changes Made   | Summary of Changes  |
|---------------------------|--|---|
| April 2011, v4.5          | Updated Table 5–3.   | Added operating junction temperature for military use.  |
| July 2009, v4.4           | Updated Table 5–92.  | Updated the spread spectrum modulation frequency ( $f_{SS}$ ) from (100 kHz–500 kHz) to (30 kHz–150 kHz). |
| May 2007, v4.3            | <ul style="list-style-type: none"> <li>• Updated <math>R_{CONF}</math> in Table 5–4.</li> <li>• Updated <math>f_{IN}</math> (min) in Table 5–92.</li> <li>• Updated <math>f_{IN}</math> and <math>f_{INPFD}</math> in Table 5–93.</li> </ul> | —   |
|                           | Moved the Document Revision History section to the end of the chapter.   | —   |

| <b>Table 5–103. Document Revision History (Part 2 of 3)</b> |   |   |
|---|---|---|
| <b>Date and Document Version</b>                            | <b>Changes Made</b>   | <b>Summary of Changes</b>   |
| August, 2006, v4.2  | Updated Table 5–73, Table 5–75, Table 5–77, Table 5–78, Table 5–79, Table 5–81, Table 5–85, and Table 5–87.   | —   |
| April 2006, v4.1  | <ul style="list-style-type: none"> <li>● Updated Table 5–3.</li> <li>● Updated Table 5–11.</li> <li>● Updated Figures 5–8 and 5–9.</li> <li>● Added parallel on-chip termination information to “On-Chip Termination Specifications” section.</li> <li>● Updated Tables 5–28, 5–30, 5–31, and 5–34.</li> <li>● Updated Table 5–78, Tables 5–81 through 5–90, and Tables 5–92, 5–93, and 5–98.</li> <li>● Updated “PLL Timing Specifications” section.</li> <li>● Updated “External Memory Interface Specifications” section.</li> <li>● Added Tables 5–95 and 5–101.</li> <li>● Updated “JTAG Timing Specifications” section, including Figure 5–10 and Table 5–102.</li> </ul> | <ul style="list-style-type: none"> <li>● Changed 0.2 MHz to 2 MHz in Table 5–93.</li> <li>● Added new spec for half period jitter (Table 5–101).</li> <li>● Added support for PLL clock switchover for industrial temperature range.</li> <li>● Changed <math>f_{INPFD}</math> (min) spec from 4 MHz to 2 MHz in Table 5–92.</li> <li>● Fixed typo in <math>t_{OUTJITTER}</math> specification in Table 5–92.</li> <li>● Updated <math>V_{DIF}</math> AC &amp; DC max specifications in Table 5–28.</li> <li>● Updated minimum values for <math>t_{JCH}</math>, <math>t_{JCL}</math>, and <math>t_{JPSU}</math> in Table 5–102.</li> <li>● Update maximum values for <math>t_{JPCO}</math>, <math>t_{JPZX}</math>, and <math>t_{JPXZ}</math> in Table 5–102.</li> </ul> |
| December 2005, v4.0   | <ul style="list-style-type: none"> <li>● Updated “External Memory Interface Specifications” section.</li> <li>● Updated timing numbers throughout chapter.</li> </ul>   | —   |
| July 2005, v3.1   | <ul style="list-style-type: none"> <li>● Updated HyperTransport technology information in Table 5–13.</li> <li>● Updated “Timing Model” section.</li> <li>● Updated “PLL Timing Specifications” section.</li> <li>● Updated “External Memory Interface Specifications” section.</li> </ul>  | —   |
| May 2005, v3.0  | <ul style="list-style-type: none"> <li>● Updated tables throughout chapter.</li> <li>● Updated “Power Consumption” section.</li> <li>● Added various tables.</li> <li>● Replaced “Maximum Input &amp; Output Clock Rate” section with “Maximum Input &amp; Output Clock Toggle Rate” section.</li> <li>● Added “Duty Cycle Distortion” section.</li> <li>● Added “External Memory Interface Specifications” section.</li> </ul>   | —   |
| March 2005, v2.2  | Updated tables in “Internal Timing Parameters” section.   | —   |
| January 2005, v2.1  | Updated input rise and fall time.   | —   |

**Table 5–103. Document Revision History (Part 3 of 3)**

| Date and Document Version | Changes Made  | Summary of Changes |
|---------------------------|---|--------------------|
| January 2005, v2.0        | <ul style="list-style-type: none"> <li>● Updated the “Power Consumption” section.</li> <li>● Added the “High-Speed I/O Specifications” and “On-Chip Termination Specifications” sections.</li> <li>● Removed the ESD Protection Specifications section.</li> <li>● Updated Tables 5–3 through 5–13, 5–16 through 5–18, 5–21, 5–35, 5–39, and 5–40.</li> <li>● Updated tables in “Timing Model” section.</li> <li>● Added Tables 5–30 and 5–31.</li> </ul>   | —                  |
| October 2004, v1.2        | <ul style="list-style-type: none"> <li>● Updated Table 5–3.</li> <li>● Updated introduction text in the “PLL Timing Specifications” section.</li> </ul>   | —                  |
| July 2004, v1.1           | <ul style="list-style-type: none"> <li>● Re-organized chapter.</li> <li>● Added typical values and <math>C_{OUTFB}</math> to Table 5–32.</li> <li>● Added undershoot specification to Note (4) for Tables 5–1 through 5–9.</li> <li>● Added Note (1) to Tables 5–5 and 5–6.</li> <li>● Added <math>V_{ID}</math> and <math>V_{ICM}</math> to Table 5–10.</li> <li>● Added “I/O Timing Measurement Methodology” section.</li> <li>● Added Table 5–72.</li> <li>● Updated Tables 5–1 through 5–2 and Tables 5–24 through 5–29.</li> </ul> | —                  |
| February 2004, v1.0       | Added document to the Stratix II Device Handbook.   | —                  |





## 6. Reference & Ordering Information

SII51006-2.2

### Software

Stratix® II devices are supported by the Altera® Quartus® II design software, which provides a comprehensive environment for system-on-a-programmable-chip (SOPC) design. The Quartus II software includes HDL and schematic design entry, compilation and logic synthesis, full simulation and advanced timing analysis, SignalTap® II logic analyzer, and device configuration. See the *Quartus II Handbook* for more information on the Quartus II software features.

The Quartus II software supports the Windows XP/2000/NT/98, Sun Solaris, Linux Red Hat v7.1 and HP-UX operating systems. It also supports seamless integration with industry-leading EDA tools through the NativeLink® interface.

### Device Pin-Outs

Device pin-outs for Stratix II devices are available on the Altera web site at ([www.altera.com](http://www.altera.com)).

### Ordering Information

**Figure 6-1** describes the ordering codes for Stratix II devices. For more information on a specific package, refer to the *Package Information for Stratix II & Stratix II GX Devices* chapter in volume 2 of the *Stratix II Device Handbook* or the *Stratix II GX Device Handbook*.

**Figure 6–1. Stratix II Device Packaging Ordering Information**



**Note to Figure 6–1:**

- (1) Applicable to 14 devices. For more information, refer to the *Stratix II Military Temperature Range Support* technical brief.

## Document Revision History

Table 6–1 shows the revision history for this chapter.

| <b>Date and Document Version</b> | <b>Changes Made</b>  | <b>Summary of Changes</b>                              |
|----------------------------------|--|--|
| April 2011, v2.2                 | Updated Figure 6–1.  | Added operating junction temperature for military use. |
| May 2007, v2.1                   | Moved the Document Revision History section to the end of the chapter. | —  |
| January 2005, v2.0               | Contact information was removed.                                       | —  |
| October 2004, v1.1               | Updated Figure 6–1.  | —  |
| February 2004, v1.0              | Added document to the Stratix II Device Handbook.                      | —  |





Компания «ЭлектроПласт» предлагает заключение долгосрочных отношений при поставках импортных электронных компонентов на взаимовыгодных условиях!

Наши преимущества:

- Оперативные поставки широкого спектра электронных компонентов отечественного и импортного производства напрямую от производителей и с крупнейших мировых складов;
- Поставка более 17-ти миллионов наименований электронных компонентов;
- Поставка сложных, дефицитных, либо снятых с производства позиций;
- Оперативные сроки поставки под заказ (от 5 рабочих дней);
- Экспресс доставка в любую точку России;
- Техническая поддержка проекта, помощь в подборе аналогов, поставка прототипов;
- Система менеджмента качества сертифицирована по Международному стандарту ISO 9001;
- Лицензия ФСБ на осуществление работ с использованием сведений, составляющих государственную тайну;
- Поставка специализированных компонентов (Xilinx, Altera, Analog Devices, Intersil, Interpoint, Microsemi, Aeroflex, Peregrine, Syfer, Eurofarad, Texas Instrument, Miteq, Cobham, E2V, MA-COM, Hittite, Mini-Circuits, General Dynamics и др.);

Помимо этого, одним из направлений компании «ЭлектроПласт» является направление «Источники питания». Мы предлагаем Вам помощь Конструкторского отдела:

- Подбор оптимального решения, техническое обоснование при выборе компонента;
- Подбор аналогов;
- Консультации по применению компонента;
- Поставка образцов и прототипов;
- Техническая поддержка проекта;
- Защита от снятия компонента с производства.



#### Как с нами связаться

**Телефон:** 8 (812) 309 58 32 (многоканальный)

**Факс:** 8 (812) 320-02-42

**Электронная почта:** [org@eplast1.ru](mailto:org@eplast1.ru)

**Адрес:** 198099, г. Санкт-Петербург, ул. Калинина, дом 2, корпус 4, литера А.