

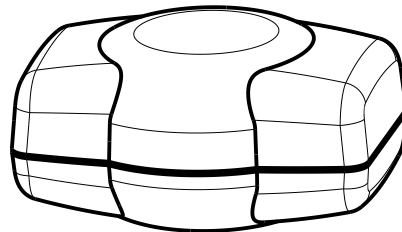
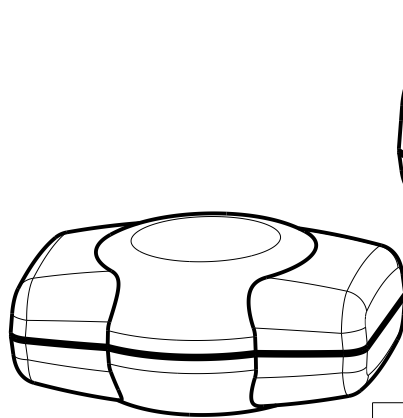




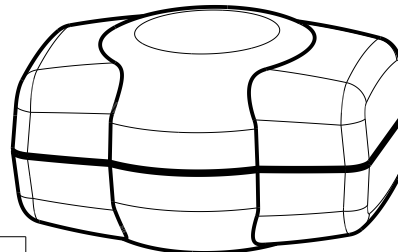
NOTES: UNLESS OTHERWISE SPECIFIED

- CORNERS DRAWN SHARP TO BE R.005 MAXIMUM.
- EXTERIOR SURFACE TEXTURE TO BE LIGHT EDM FINISH. EQUIVELANT TO MT-11010.
- INTERIOR SURFACE TEXTURE TO BE: NONE.
- ALL INSIDE RADII .010R. UNLESS OTHERWISE SPECIFIED.
- ALL EXTERNAL DIMENSIONS AFFECTED BY THE DRAFT APPLY AT THE LARGE END OF THE FEATURE, AND ALL INTERNAL FEATURES AFFECTED BY THE DRAFT APPLY AT THE SMALL END OF THE FEATURE UNLESS OTHERWISE SPECIFIED.
- 1 DEGREE DRAFT IN THE DIRECTION OF PULL IS PERMISSIBLE UNLESS OTHERWISE SPECIFIED.
- THIS ENCLOSURE IS A PRESS FIT ASSEMBLY. FOR PERMANENT CLOSURE: A DROP OF ADHESIVE OR ULTRASONIC WELDING IS REQUIRED.
- MOUNTING SCREWS FOR THE PCB ARE SOLD SEPERATELY.
- MATERIAL / COLOR: ABS PLASTIC IS STANDARD IN BLACK OR WHITE. CUSTOM MATERIALS AND COLORS ARE AVAILABLE UPON REQUEST FOR QUOTE.
- PCB SIZES ARE RECOMMENDATIONS ONLY. FINAL SIZES AND VERIFICATION OF IT'S FIT ARE THE SOLE RESPONSIBILITY OF OEM.
- THIS DRAWING IS BASED ON A SOLID MODEL, AND IS FURTHER DEFINED BY THE SOLID MODEL FILE.
- ALLOWABLE FLASH: 0.010 MAX.
- ALL EJECTOR PIN MARKS TO BE WITHIN 0.010" OF FLUSH, PROTRUDING OR BELOW FLUSH.

R E V I S I O N					
REV.	DRAWN BY	ECO No	DESCRIPTION	DATE	APPROVED
A	M BOYER	DR XXX	PRELIMINARY RELEASE	06-Apr-11	D.C.
B	M BOYER		CHANGE TITLE AND PN	25-Jan-12	D.C.
C	M BOYER		ADD LARGER CONFIGURATION	15-Oct-12	D.C.
D	M BOYER		REDUCE THE LENGTH OF ASSY POST	30-Nov-12	D.C.
E	M BOYER		UPDATE NAME	25-Jan-13	D.C.
F	R CRUZ		UPDATE TO AS BUILT	07-Jun-13	D.C.
1.0	R CRUZ		RELEASED	25-Jun-13	



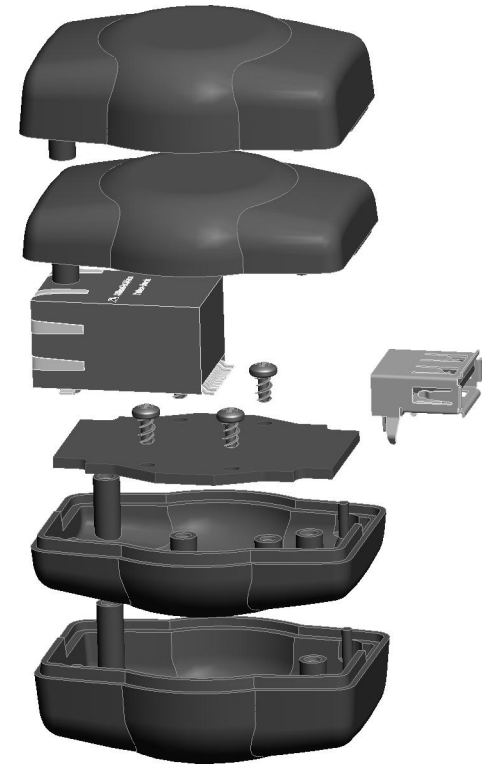
191508M ASSEMBLY
- 191510 COVER
- 191508 BASE
SCALE 1.000



191508T ASSEMBLY
- 191510 COVER
- 191510 BASE
SCALE 1.000

191508S ASSEMBLY
- 191508 COVER
- 191508 BASE
SCALE 1.000

191508(x) CONFIGURATIONS			
	-S	-M	-T
191508 COVER	1		
191508 BASE	1	1	
191510 COVER		1	1
191510 BASE			1

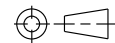


EXPLODED VIEW
SCALE 0.900

ITEM	DESCRIPTION	MATERIAL	COLOR	QTY.
6	2-32 ROUND SHANK x .187" SCREW	ZINK PLATED	MMC 90056A075	4
5	TYPE A - FEMALE USB CONNECTOR	REFERENCE ONLY	CUSTOMER SUPPLIED	1
4	RJ45 FEMALE CONNECTOR	REFERENCE ONLY	CUSTOMER SUPPLIED	1
3	190508 PCB - REFERENCE	.062" THICK	CUSTOMER SUPPLIED	2
2	191510 CASE - STANDARD	ABS	BLACK or WHITE	2
1	191508 CASE - STANDARD	ABS	BLACK or WHITE	2

BILL OF MATERIALS

THIRD ANGLE PROJECTION



DO NOT SCALE DRAWING

TOLERANCES: UNLESS OTHERWISE SPECIFIED DIMENSIONS ARE IN U.S. INCHES.

X.XXX = .015 X.XXXX = .001
X.XXXX = .010 X.X° = 1°

NEW AGE ENCLOSURES

Customer's Part No: 191508

APPROVAL	BY	DATE
CHECK		
ENG.		
SCALE	AS NOTED	

DRAWN BY
M BOYER
DATE
06-Apr-11

NEW AGE ENCLOSURES

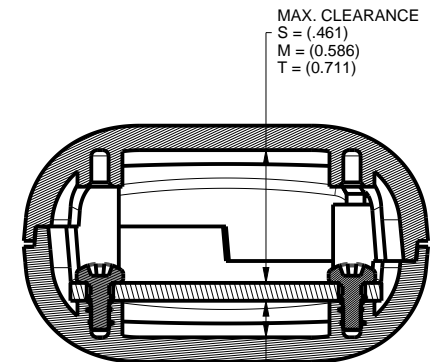
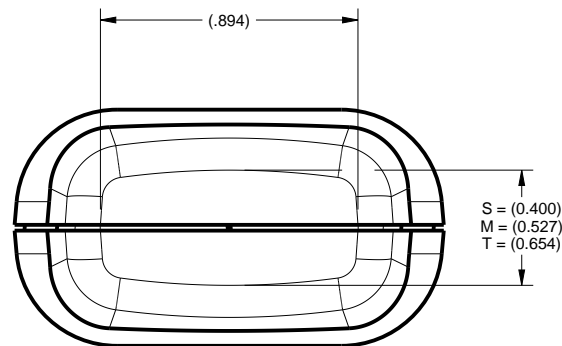
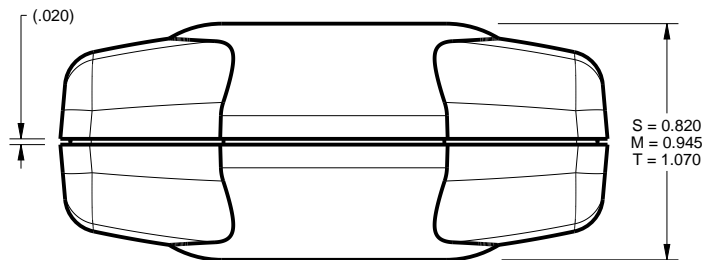
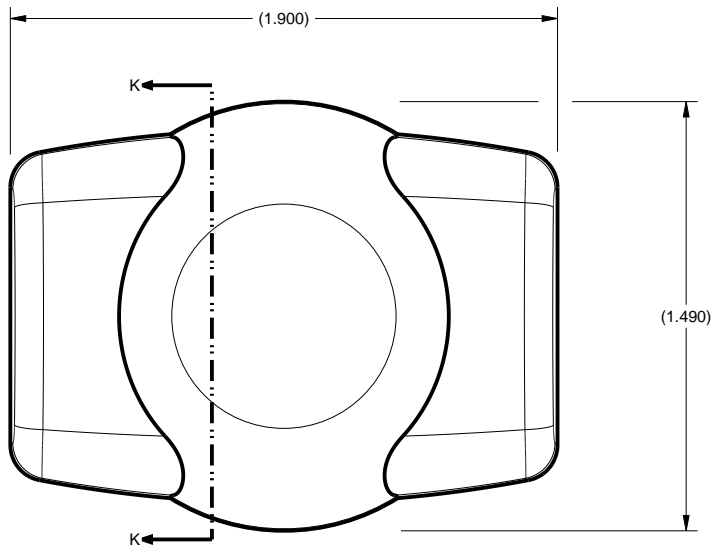
4330 Santa Fe Road San Luis Obispo, CA. 93401
ph. (805) 595-1310 fax (805) 595-1024

www.newageenclosures.com

STANDARD - E.E.HOUSING
PXX-191508X-XXX

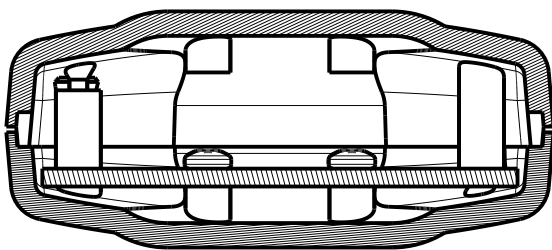
SIZE	DRAWING NAME	SHEET	REV.DOC
A	191508_R1_0	1 OF 6	1.0

191508 ASSEMBLY



SCALE 1.500

191508S MODELS SHOWN



SECTION Y-Y

TOLERANCES: UNLESS OTHERWISE SPECIFIED
DIMENSIONS ARE IN U.S. INCHES.
X.XX = .015 X.XXXX = .001
X.XXX = .010 X.X° = 1°

NEW AGE ENCLOSURES
Customer's Part No: 191508

APPROVAL	BY	DATE
CHECK		
ENG.		
SCALE	AS NOTED	

DRAWN BY
M BOYER 06-Apr-11

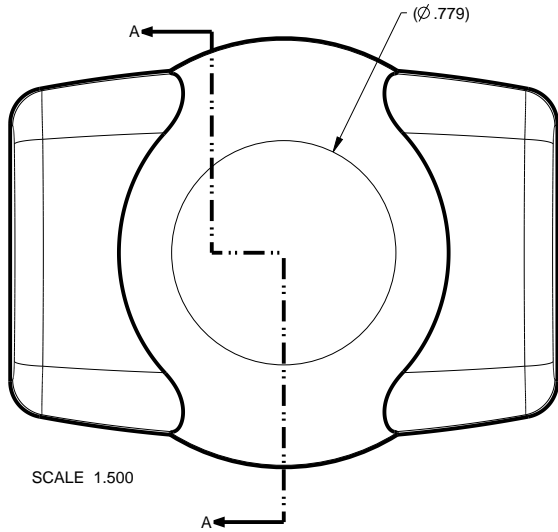
NEW AGE ENCLOSURES

4330 Santa Fe Road San Luis Obispo, CA. 93401
ph. (805) 595-1310 fax (805) 595-1024
www.newageenclosures.com

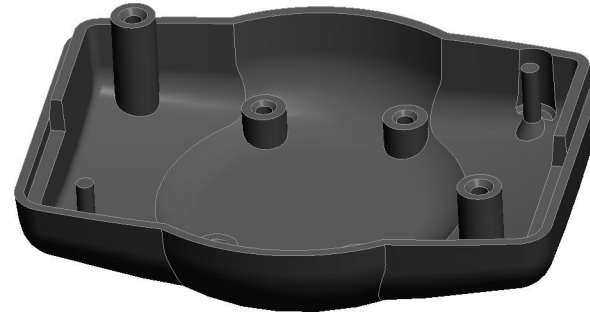
STANDARD - E.E.HOUSING
PXX-191508X-XXX

SIZE A	DRAWING NAME 191508_R1_0	SHEET 2 OF 6	REV.DOC 1.0
-----------	-----------------------------	-----------------	----------------

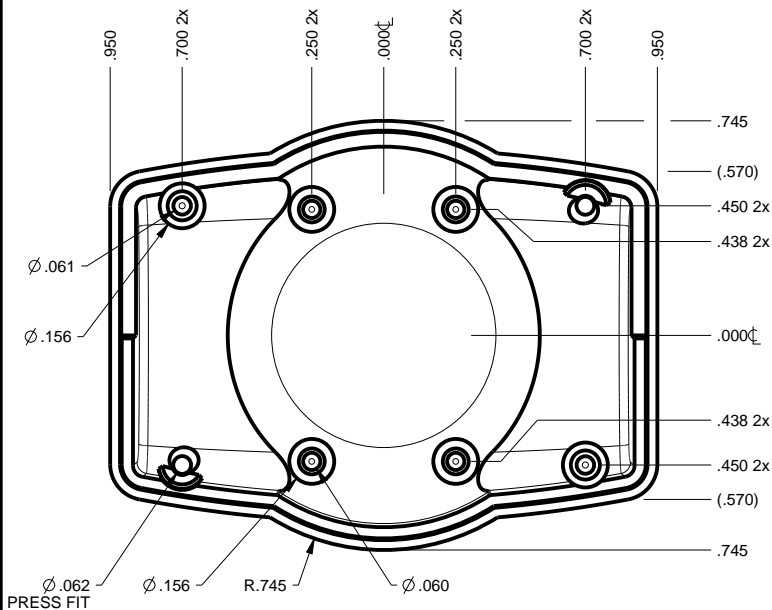
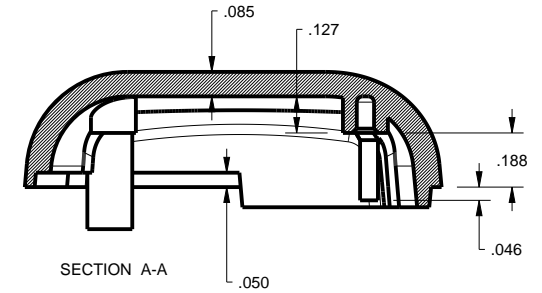
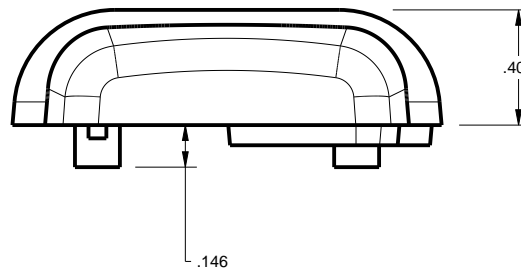
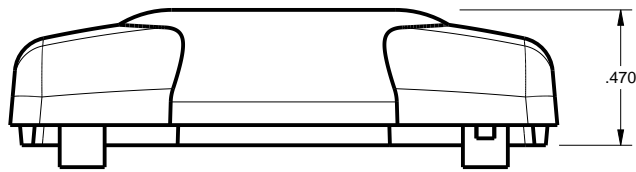
191508 COVER / BASE



SCALE 1.500



SCALE 1.500



TOLERANCES: UNLESS OTHERWISE SPECIFIED
DIMENSIONS ARE IN U.S. INCHES.

X.XX = .015 X.XXXX = .001
X.XXX = .010 X.X° = 1°

NEW AGE ENCLOSURES

Customer's Part No: 191508

APPROVAL	BY	DATE
CHECK		
ENG.		
SCALE	AS NOTED	

DRAWN BY
M BOYER

06-Apr-11

NEW AGE ENCLOSURES

4330 Santa Fe Road San Luis Obispo, CA. 93401
ph. (805) 595-1310 fax (805) 595-1024
www.newageenclosures.com

STANDARD - E.E.HOUSING
PXX-191508X-XXX

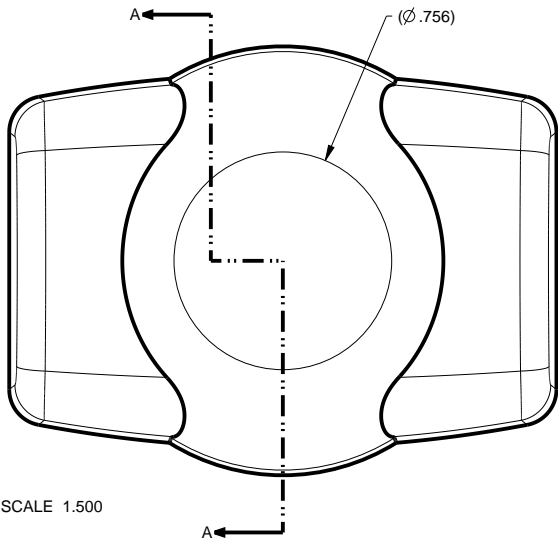
SIZE
A

DRAWING NAME
191508_R1_0

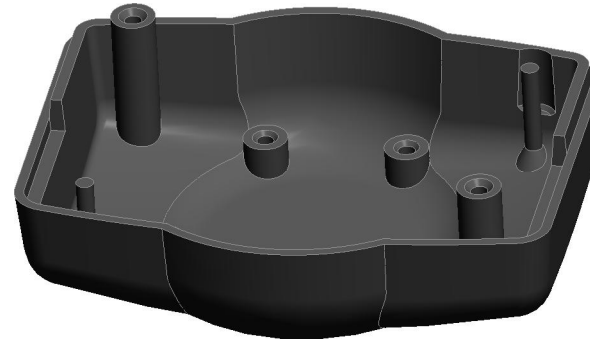
SHEET
3 OF 6

REV.DOC
1.0

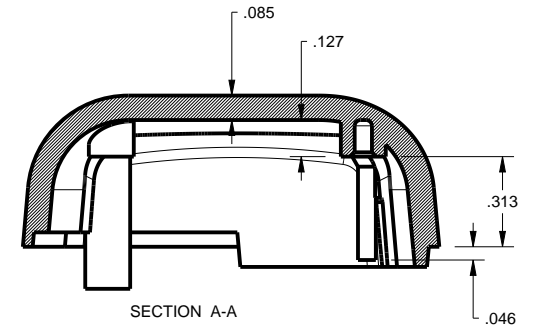
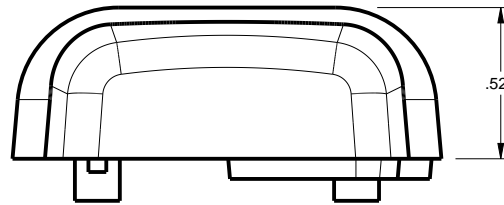
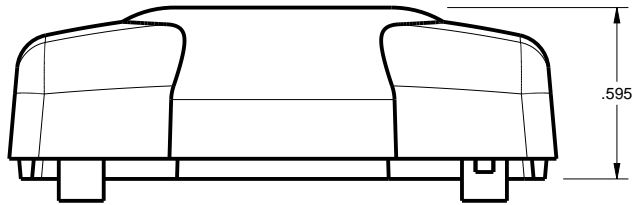
191510 COVER / BASE



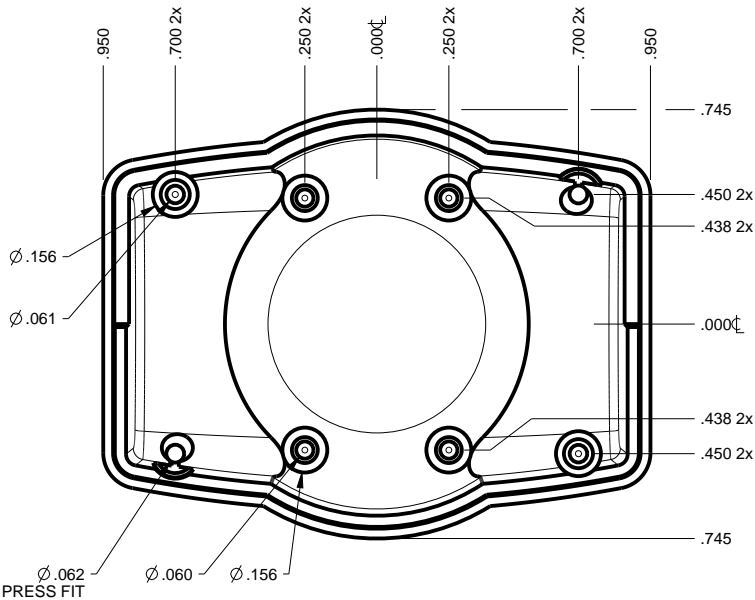
SCALE 1.500



SCALE 1.500



SECTION A-A



TOLERANCES: UNLESS OTHERWISE SPECIFIED
DIMENSIONS ARE IN U.S. INCHES.
X.XX = .015 X.XXXX = .001
X.XXX = .010 X.X° = 1°

NEW AGE ENCLOSURES

Customer's Part No: 191508

APPROVAL	BY	DATE
CHECK		
ENG.		
SCALE	AS NOTED	

DRAWN BY
M BOYER 06-Apr-11

NEW AGE ENCLOSURES

4330 Santa Fe Road San Luis Obispo, CA. 93401
ph. (805) 595-1310 fax (805) 595-1024
www.newageenclosures.com

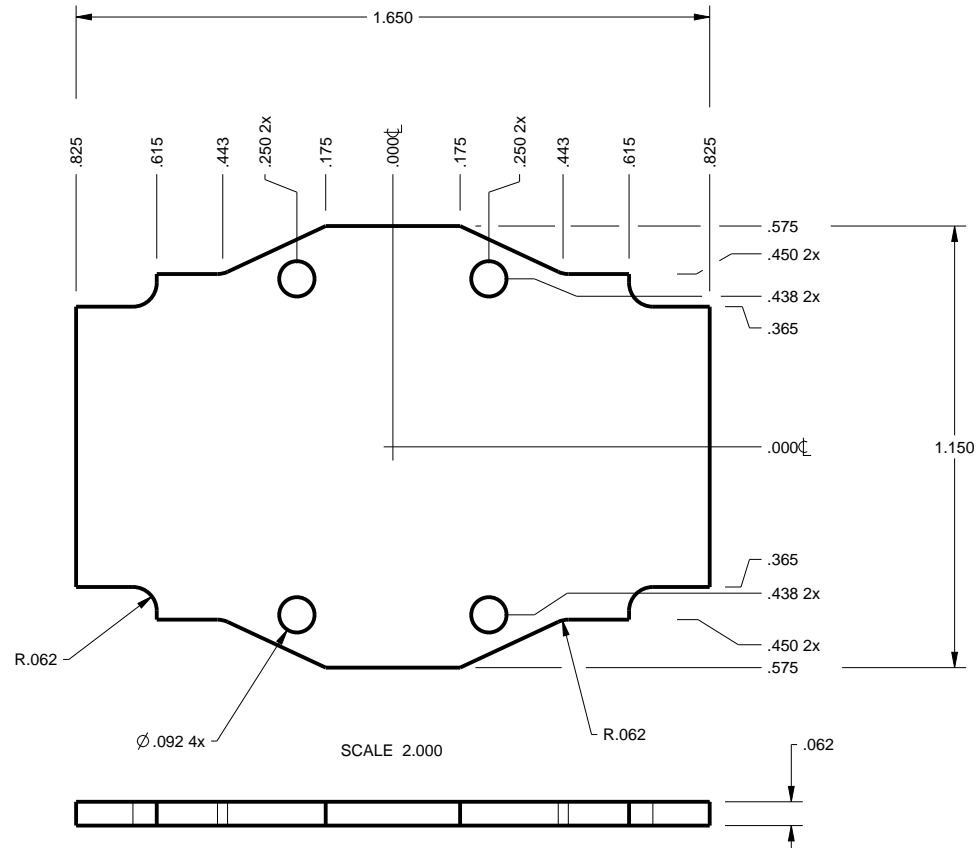
**STANDARD - E.E.HOUSING
PXX-191508X-XXX**

SIZE A DRAWING NAME 191508_R1_0

SHEET 4 OF 6 REV.DOC 1.0

191508 PCB - CUSTOMER SUPPLIED

PCB SIZES ARE RECOMMENDATIONS ONLY. FINAL SIZES AND VERIFICATION OF IT'S FIT ARE THE SOLE RESPONSIBILITY OF THE OEM.



TOLERANCES: UNLESS OTHERWISE SPECIFIED
DIMENSIONS ARE IN U.S. INCHES.
X.XX = .015 X.XXXX = .001
X.XXX = .010 X.X° = 1°

NEW AGE ENCLOSURES

Customer's Part No: 191508

APPROVAL	BY	DATE
CHECK		
ENG.		
SCALE	AS NOTED	

DRAWN BY
M BOYER 06-Apr-11

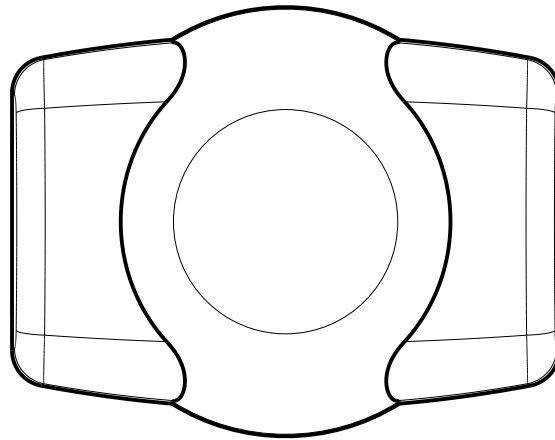
NEW AGE ENCLOSURES
4330 Santa Fe Road San Luis Obispo, CA. 93401
ph. (805) 595-1310 fax (805) 595-1024
www.newageenclosures.com

**STANDARD - E.E.HOUSING
PXX-191508X-XXX**

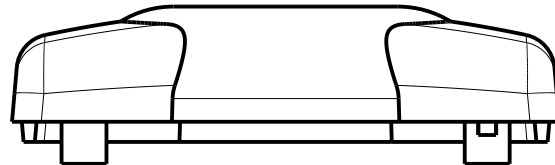
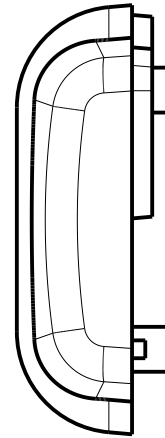
SIZE **A** DRAWING NAME 191508_R1_0 SHEET 5 OF 6 REV.DOC 1.0

2nd OPERATION DETAILS

NEW AGE ENCLOSURES DELIVERS YOUR ENCLOSURE MARKET-READY WITH IN-HOUSE
CNC MACHINING, PAD PRINTING, ASSEMBLY, AND FULFILLEMENT.
ALL SURFACES AND AREAS ARE AVAILABLE FOR CNC ALTERATION BY NEW AGE ENCLOSURES
CALL (805) 595-1310 FOR PRICING AND SCHEDULE.
THE INSIDE RADIUS OF ANY MACHINED FEATURES SHOULD BE NO SMALLER THAN .031"



SCALE 1.500



PXX-191508-XXX COVER - ABS, BLACK

STEP NO	DESCRIPTION	CUTTER	FIXTURE	ORIENTATION	PROGRAM
1	CUTOUT	T2 = .062" EM	-	SINGLE	-
2	CUTOUT	T2 = .062" EM	-	-	-

PXX-191508-XXX COVER - ABS, BLACK

STEP NO	DESCRIPTION	COLOR	CLICHE DESCRIPTION	CLICHE No.
3	PAD PRINT			CLXXXX

TOLERANCES: UNLESS OTHERWISE SPECIFIED
DIMENSIONS ARE IN U.S. INCHES.
X.XX = .015 X.XXXX = .001
X.XXX = .010 X.X° = 1°

NEW AGE ENCLOSURES

Customer's Part No: 191508

APPROVAL BY DATE

CHECK

ENG.

SCALE AS NOTED

DRAWN BY

M BOYER 06-Apr-11

NEW AGE ENCLOSURES

4330 Santa Fe Road San Luis Obispo, CA. 93401
ph. (805) 595-1310 fax (805) 595-1024
www.newageenclosures.com

STANDARD - E.E.HOUSING PXX-191508X-XXX

SIZE DRAWING NAME
A 191508_R1_0

SHEET REV.DOC
6 OF 6 **1.0**

Mouser Electronics

Authorized Distributor

Click to View Pricing, Inventory, Delivery & Lifecycle Information:

[New Age Enclosures:](#)

[P1A-191508-S](#) [P3A-191508-S](#) [P3A-191508-T](#) [P1A-191508-T](#) [P3A-191508-M](#) [P1A-191508-M](#)



Компания «ЭлектроПласт» предлагает заключение долгосрочных отношений при поставках импортных электронных компонентов на взаимовыгодных условиях!

Наши преимущества:

- Оперативные поставки широкого спектра электронных компонентов отечественного и импортного производства напрямую от производителей и с крупнейших мировых складов;
- Поставка более 17-ти миллионов наименований электронных компонентов;
- Поставка сложных, дефицитных, либо снятых с производства позиций;
- Оперативные сроки поставки под заказ (от 5 рабочих дней);
- Экспресс доставка в любую точку России;
- Техническая поддержка проекта, помощь в подборе аналогов, поставка прототипов;
- Система менеджмента качества сертифицирована по Международному стандарту ISO 9001;
- Лицензия ФСБ на осуществление работ с использованием сведений, составляющих государственную тайну;
- Поставка специализированных компонентов (Xilinx, Altera, Analog Devices, Intersil, Interpoint, Microsemi, Aeroflex, Peregrine, Syfer, Eurofarad, Texas Instrument, Miteq, Cobham, E2V, MA-COM, Hittite, Mini-Circuits, General Dynamics и др.);

Помимо этого, одним из направлений компании «ЭлектроПласт» является направление «Источники питания». Мы предлагаем Вам помощь Конструкторского отдела:

- Подбор оптимального решения, техническое обоснование при выборе компонента;
- Подбор аналогов;
- Консультации по применению компонента;
- Поставка образцов и прототипов;
- Техническая поддержка проекта;
- Защита от снятия компонента с производства.



Как с нами связаться

Телефон: 8 (812) 309 58 32 (многоканальный)

Факс: 8 (812) 320-02-42

Электронная почта: org@eplast1.ru

Адрес: 198099, г. Санкт-Петербург, ул. Калинина, дом 2, корпус 4, литера А.