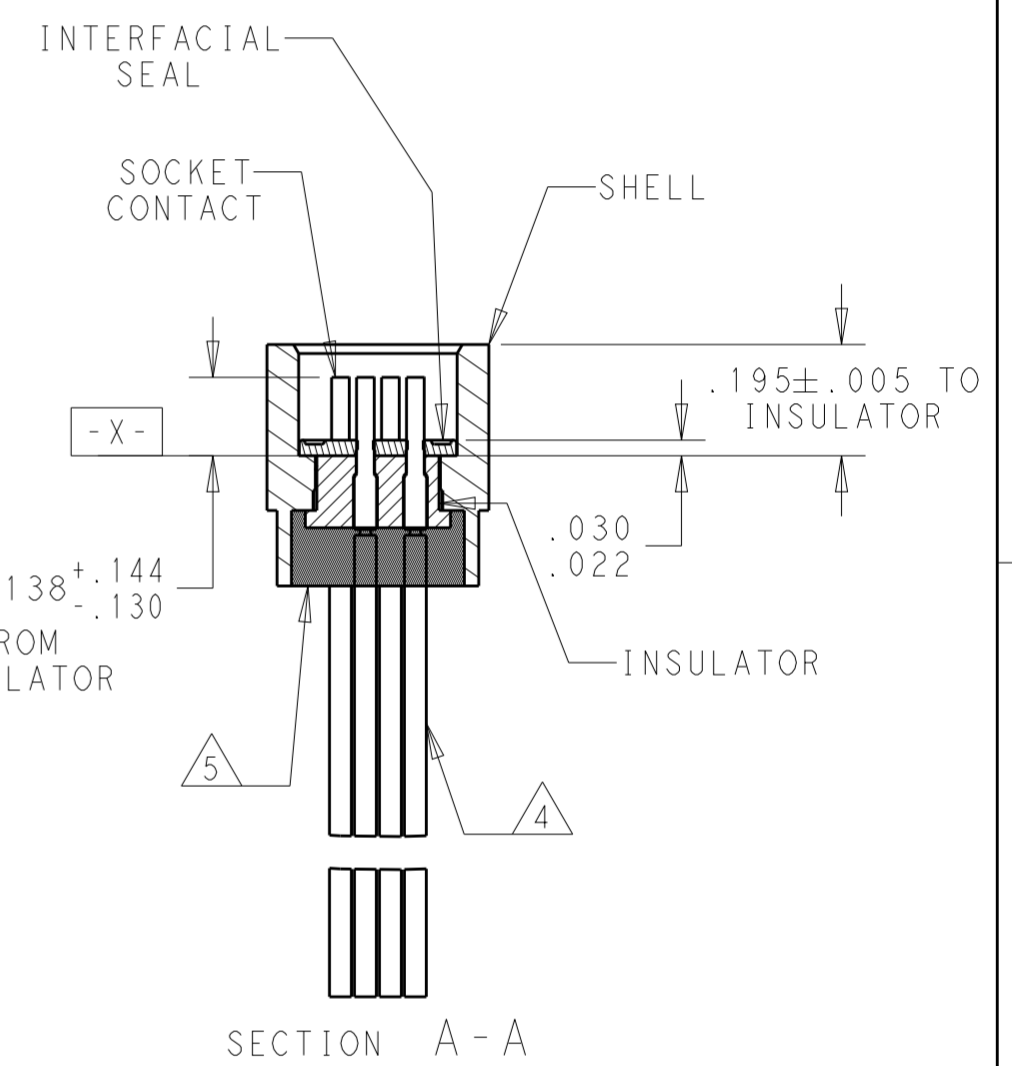
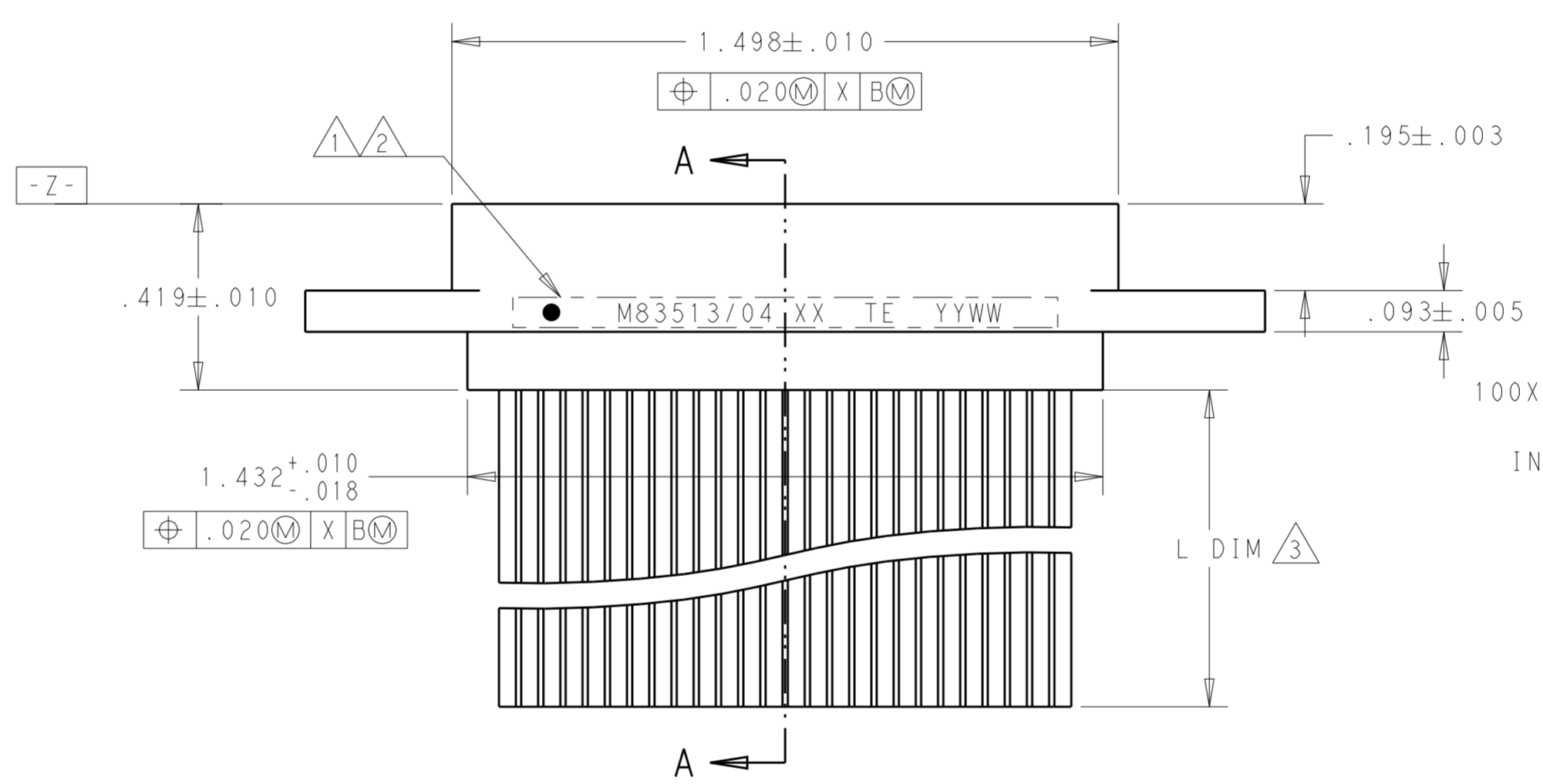
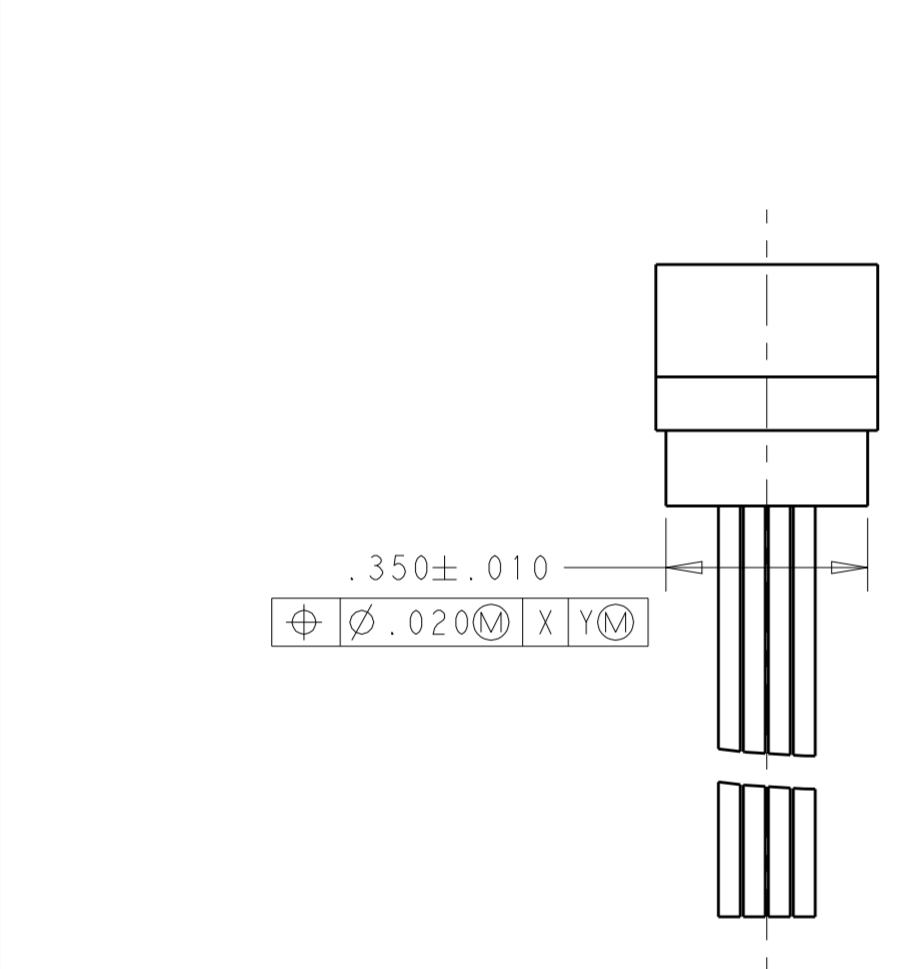
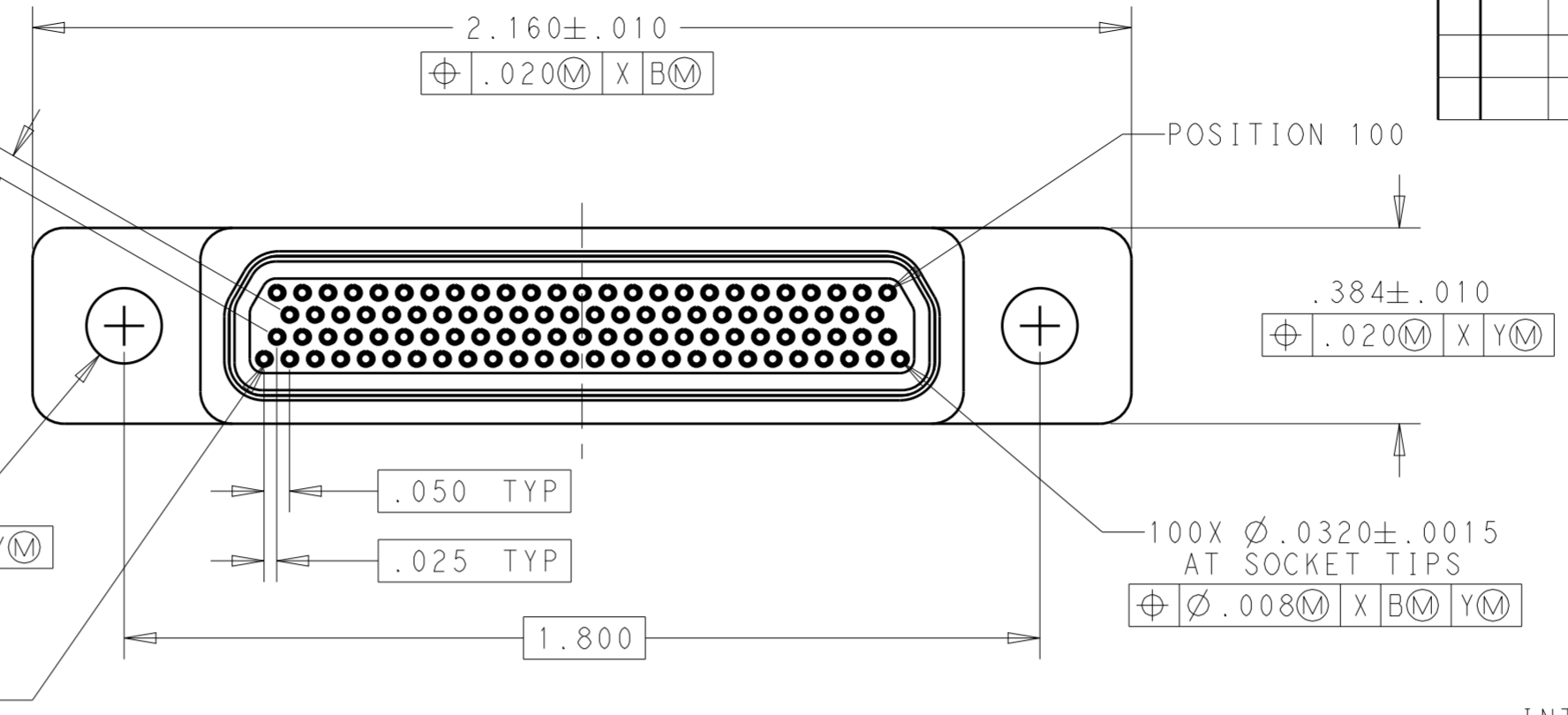


THIS DRAWING IS UNPUBLISHED. RELEASED FOR PUBLICATION 20
 © COPYRIGHT 20 BY - ALL RIGHTS RESERVED.

| REVISIONS | | | | |
|-----------|-----|--------------------------|-----------|-------|
| P | LTR | DESCRIPTION | DATE | APVD |
| B | | UPDATE PER ECO-16-005875 | 20APR2016 | DS CS |



- 1 CONNECTOR SHALL BE MARKED IN ACCORDANCE WITH METHOD 1 OF MIL-STD-1285. MARKING SHALL CONTAIN THE MILITARY PIN, CAGE CODE (OR TE), AND DATE CODE. EXAMPLE: M83513/04-XXXX TE YYWW (WHERE XXXX IS PART OF THE PIN SHOWN IN THE "MIL-DTL-83513" COLUMN OF THE PART NUMBER TABLE, AND YYWW IS THE DATE CODE). TEXT HEIGHT SHALL BE .035 INCH MINIMUM.
- 2 POSITION 1 SHALL BE INDICATED BY AN IDENTIFIABLE MARK, LOCATED APPROXIMATELY AS SHOWN ON THE POSITION 1 SIDE OF THE CONNECTOR FLANGE. THIS MARK SHALL BE INCLUDED AS PART OF THE PART MARKING INFORMATION.
- 3 LENGTH IS SHOWN IN THE "L DIM" COLUMN OF THE PART NUMBER TABLE. LENGTH TOLERANCE IS $+1.0/-0.0$ FOR INSULATED WIRE TERMINATIONS, AND $+0.20/-0.00$ FOR UNINSULATED WIRE TERMINATIONS.
- 4 INSULATED WIRE IS SHOWN FOR REFERENCE ONLY. PART MAY BE TERMINATED WITH INSULATED OR UNINSULATED WIRE ACCORDING TO THE PART NUMBER TABLE.
- 5 EPOXY ENCAPSULATION. EPOXY MAY WICK .125 INCH MAX FOR INSULATED WIRE, AND .050 INCH MAX FOR UNINSULATED WIRE.
- 6 THIS DIMENSION IS THE THEORETICAL INTERSECTION OF THE TWO ADJACENT SIDES OF THE INTERFACE
- 7 ALL DIMENSIONS AND REQUIREMENTS ARE PER MIL-DTL-83513/4


| | | | | |
|--|--|------------------------------|-----------------|------------------------------|
| THIS DRAWING IS A CONTROLLED DOCUMENT. | | DWN 03SEP2008 B ROMANCHUK | TE Connectivity | |
| DIMENSIONS: IN | | CHK - | | |
| TOLERANCES UNLESS OTHERWISE SPECIFIED: | | PRODUCT SPEC | | NAME RECEPTACLE ASSEMBLY |
| 0 PLC ± | | APPLICATION SPEC | | MICRO-D PER MIL-DTL-83513/04 |
| 1 PLC ±.010 | | WEIGHT - | | MCKS SERIES, 100 POSITION |
| 2 PLC ±.005 | | SCALE 3:1 | | RESTRICTED TO |
| 3 PLC ± | | SHEET 1 OF 2 | | |
| 4 PLC ± | | REV B | | |
| ANGLES ±1° | | CUSTOMER DRAWING | | |
| FINISH - | | SIZE A2 | | |
| MATERIAL SEE NOTES | | CAGE CODE C-1532178 | | |
| - | | DRAWING NO G-1532178 | | |

THIS DRAWING IS UNPUBLISHED. RELEASED FOR PUBLICATION 20
 © COPYRIGHT 20 BY - ALL RIGHTS RESERVED.

| REVISIONS | | | | |
|-----------|-----|-------------|------|------|
| P | LTR | DESCRIPTION | DATE | APVD |
| | | SEE SHEET 1 | | |
| | | | | |
| | | | | |

| TE PART NUMBER | L DIM | MIL-DTL-83513 PIN | MICRODOT P/N | MCKS DESCRIPTION |
|----------------|-------|-------------------|---------------|------------------------|
| 1532178-1 | 18 | M83513/04-H01N | 094-6926-0001 | MCKS-N1-B-100S6G1-18.0 |
| 1532178-2 | 36 | M83513/04-H02N | 094-6926-0002 | MCKS-N1-B-100S6G1-36.0 |
| 1532178-3 | 18 | M83513/04-H03N | 094-6926-0003 | MCKS-N1-B-100S6G9-18.0 |
| 1532178-4 | 36 | M83513/04-H04N | 094-6926-0004 | MCKS-N1-B-100S6G9-36.0 |
| 1532178-5 | 18 | M83513/04-H09N | 094-6926-0009 | MCKS-N1-B-100S6Q1-18.0 |
| 1532178-6 | 36 | M83513/04-H10N | 094-6926-0010 | MCKS-N1-B-100S6Q1-36.0 |
| 1532178-7 | 18 | M83513/04-H11N | 094-6926-0011 | MCKS-N1-B-100S6Q9-18.0 |
| 1532178-8 | 36 | M83513/04-H12N | 094-6926-0012 | MCKS-N1-B-100S6Q9-36.0 |
| 1532178-9 | 72 | M83513/04-H13N | 094-6926-0013 | MCKS-N1-B-100S6G1-72.0 |
| 1-1532178-0 | 72 | M83513/04-H14N | 094-6926-0014 | MCKS-N1-B-100S6G9-72.0 |
| 1-1532178-1 | 72 | M83513/04-H15N | 094-6926-0015 | MCKS-N1-B-100S6Q1-72.0 |
| 1-1532178-2 | 72 | M83513/04-H16N | 094-6926-0016 | MCKS-N1-B-100S6Q9-72.0 |
| 1-1532178-3 | 72 | M83513/04-H13C | 094-6936-0013 | MCKS-C2-B-100S6G1-72.0 |
| 1-1532178-4 | 0.5 | M83513/04-H05N | 094-6926-0005 | MCKS-N1-B-100S5L4-0.5 |
| 1-1532178-5 | 1.0 | M83513/04-H06N | 094-6926-0006 | MCKS-N1-B-100S5L4-1.0 |
| 1-1532178-6 | 0.5 | M83513/04-H07N | 094-6926-0007 | MCKS-N1-B-100S5L5-0.5 |
| 1-1532178-7 | 1.0 | M83513/04-H08N | 094-6926-0008 | MCKS-N1-B-100S5L5-1.0 |
| 1-1532178-8 | 18 | M83513/04-H01C | 094-6936-0001 | MCKS-C2-B-100S6G1-18.0 |
| 1-1532178-9 | 36 | M83513/04-H02C | 094-6936-0002 | MCKS-C2-B-100S6G1-36.0 |
| 2-1532178-0 | 18 | M83513/04-H03C | 094-6936-0003 | MCKS-C2-B-100S6G9-18.0 |
| 2-1532178-1 | 36 | M83513/04-H04C | 094-6936-0004 | MCKS-C2-B-100S6G9-36.0 |
| 2-1532178-2 | 0.5 | M83513/04-H05C | 094-6936-0005 | MCKS-C2-B-100S5L4-0.5 |
| 2-1532178-3 | 1.0 | M83513/04-H06C | 094-6936-0006 | MCKS-C2-B-100S5L4-1.0 |
| 2-1532178-4 | 0.5 | M83513/04-H07C | 094-6936-0007 | MCKS-C2-B-100S5L5-0.5 |
| 2-1532178-5 | 1.0 | M83513/04-H08C | 094-6936-0008 | MCKS-C2-B-100S5L5-1.0 |
| 2-1532178-6 | 18 | M83513/04-H09C | 094-6936-0009 | MCKS-N1-B-100S6Q1-18.0 |
| 2-1532178-7 | 36 | M83513/04-H10C | 094-6936-0010 | MCKS-N1-B-100S6Q1-36.0 |
| 2-1532178-8 | 18 | M83513/04-H11C | 094-6936-0011 | MCKS-N1-B-100S6Q9-18.0 |
| 2-1532178-9 | 36 | M83513/04-H12C | 094-6936-0012 | MCKS-N1-B-100S6Q9-36.0 |
| 3-1532178-0 | 72 | M83513/04-H14C | 094-6936-0014 | MCKS-N1-B-100S6G9-72.0 |
| 3-1532178-1 | 72 | M83513/04-H15C | 094-6936-0015 | MCKS-N1-B-100S6Q1-72.0 |
| 3-1532178-2 | 72 | M83513/04-H16C | 094-6936-0016 | MCKS-N1-B-100S6Q9-72.0 |

| TE PART NUMBER | L DIM | MIL-DTL-83513 PIN | MICRODOT P/N | MCKS DESCRIPTION |
|----------------|-------|-------------------|---------------|------------------------|
| 3-1532178-3 | 18 | M83513/04-H01P | 094-6946-0001 | MCKS-P1-B-100S6G1-18.0 |
| 3-1532178-4 | 36 | M83513/04-H02P | 094-6946-0002 | MCKS-P1-B-100S6G1-36.0 |
| 3-1532178-5 | 18 | M83513/04-H03P | 094-6946-0003 | MCKS-P1-B-100S6G9-18.0 |
| 3-1532178-6 | 36 | M83513/04-H04P | 094-6946-0004 | MCKS-P1-B-100S6G9-36.0 |
| 3-1532178-7 | 0.5 | M83513/04-H05P | 094-6946-0005 | MCKS-P1-B-100S5L4-0.5 |
| 3-1532178-8 | 1.0 | M83513/04-H06P | 094-6946-0006 | MCKS-P1-B-100S5L4-1.0 |
| 3-1532178-9 | 0.5 | M83513/04-H07P | 094-6946-0007 | MCKS-P1-B-100S5L5-0.5 |
| 4-1532178-0 | 1.0 | M83513/04-H08P | 094-6946-0008 | MCKS-P1-B-100S5L5-1.0 |
| 4-1532178-1 | 18 | M83513/04-H09P | 094-6946-0009 | MCKS-P1-B-100S6Q1-18.0 |
| 4-1532178-2 | 36 | M83513/04-H10P | 094-6946-0010 | MCKS-P1-B-100S6Q1-36.0 |
| 4-1532178-3 | 18 | M83513/04-H11P | 094-6946-0011 | MCKS-P1-B-100S6Q9-18.0 |
| 4-1532178-4 | 36 | M83513/04-H12P | 094-6946-0012 | MCKS-P1-B-100S6Q9-36.0 |
| 4-1532178-5 | 72 | M83513/04-H13P | 094-6946-0013 | MCKS-P1-B-100S6G1-72.0 |
| 4-1532178-6 | 72 | M83513/04-H14P | 094-6946-0014 | MCKS-P1-B-100S6G9-72.0 |
| 4-1532178-7 | 72 | M83513/04-H15P | 094-6946-0015 | MCKS-P1-B-100S6Q1-72.0 |
| 4-1532178-8 | 72 | M83513/04-H16P | 094-6946-0016 | MCKS-P1-B-100S6Q9-72.0 |

| | | | | | |
|---|--|-----------------------|-----------|---|--------------------|
| THIS DRAWING IS A CONTROLLED DOCUMENT. | | DWN B ROMANCHUK | 03SEP2008 |  TE Connectivity | |
| DIMENSIONS: IN | | CHK - | - | | |
| TOLERANCES UNLESS OTHERWISE SPECIFIED: | | APVD M. STORRY | 03SEP2008 | NAME RECEPTACLE ASSEMBLY | |
| 0 PLC ± 1 PLC ± 2 PLC ±.010 3 PLC ±.005 4 PLC ± | | PRODUCT SPEC - | - | MICRO-D PER MIL-DTL-83513/04 | |
| ANGLES ±1° | | APPLICATION SPEC - | - | MCKS SERIES, 100 POSITION | |
| FINISH | | WEIGHT - | - | SIZE A2 | CAGE CODE 98278 |
| MATERIAL SEE NOTES | | CUSTOMER DRAWING | | DRAWING NO G-1532178 | RESTRICTED TO - |
| | | | | SCALE 3:1 | SHEET 2 OF 2 |
| | | | | REV B | |



Компания «ЭлектроПласт» предлагает заключение долгосрочных отношений при поставках импортных электронных компонентов на взаимовыгодных условиях!

Наши преимущества:

- Оперативные поставки широкого спектра электронных компонентов отечественного и импортного производства напрямую от производителей и с крупнейших мировых складов;
- Поставка более 17-ти миллионов наименований электронных компонентов;
- Поставка сложных, дефицитных, либо снятых с производства позиций;
- Оперативные сроки поставки под заказ (от 5 рабочих дней);
- Экспресс доставка в любую точку России;
- Техническая поддержка проекта, помощь в подборе аналогов, поставка прототипов;
- Система менеджмента качества сертифицирована по Международному стандарту ISO 9001;
- Лицензия ФСБ на осуществление работ с использованием сведений, составляющих государственную тайну;
- Поставка специализированных компонентов (Xilinx, Altera, Analog Devices, Intersil, Interpoint, Microsemi, Aeroflex, Peregrine, Syfer, Eurofarad, Texas Instrument, Miteq, Cobham, E2V, MA-COM, Hittite, Mini-Circuits, General Dynamics и др.);

Помимо этого, одним из направлений компании «ЭлектроПласт» является направление «Источники питания». Мы предлагаем Вам помощь Конструкторского отдела:

- Подбор оптимального решения, техническое обоснование при выборе компонента;
- Подбор аналогов;
- Консультации по применению компонента;
- Поставка образцов и прототипов;
- Техническая поддержка проекта;
- Защита от снятия компонента с производства.



Как с нами связаться

Телефон: 8 (812) 309 58 32 (многоканальный)

Факс: 8 (812) 320-02-42

Электронная почта: org@eplast1.ru

Адрес: 198099, г. Санкт-Петербург, ул. Калинина, дом 2, корпус 4, литера А.