

**NEW**

# CRE Series 10mm DIP Coded Rotary Switches



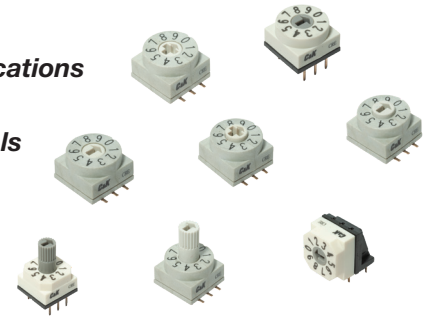
H  
DIP

## Features/Benefits

- **Process sealed – withstands soldering and cleaning**
- **Thru-hole and surface mount models**
- **New designs with different actuators**
- **RoHS compatible and compliant**
- **New generation price competitive**

## Typical Applications

- **Address switching applications**
- **Data storage devices**
- **Computer and peripherals**
- **Instrumentation**



## Specifications

CONTACT RATING: 42 V DC 150mA (switching), 200mA (non-switching)

MECHANICAL & ELECTRICAL LIFE: 10,000 cycles

INITIAL CONTACT RESISTANCE: 80 milliohms max.

INSULATION RESISTANCE: 100 megohms min.

OPERATING TEMPERATURE: -20°C to 85°C.

STORAGE TEMPERATURE: -40°C to 85°C.

OPERATING FORCE: 700 gf max.

SOLDER CONDITIONS:

- Straight and right-angle types: Iron soldering 2s/340°C, wave soldering 5s/280°C
- Through-hole and SMT types: Iron soldering 2s/340°C, wave soldering: 5s/280°C, reflow soldering 10s/260°C

SOLDERABILITY: Dip and look solderability testing per C&K spec #448

PACKAGING: Switches are supplied in rigid dispensing tubes in full-tube quantities only, this may affect order quantities. Number of switches per tube varies with model. Tape and reel packing also available with exception for the right-angle "A" type terminations.

## Materials

COVER:

- Straight and right-angle types: Nylon#66 (G45%)
- Through-hole and SMT types: LCP (G30%)

BASE:

- Straight and right-angle types: Nylon#66 (G45%)
- Through-hole and SMT types: LCP (G30%)

ACTUATOR:

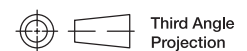
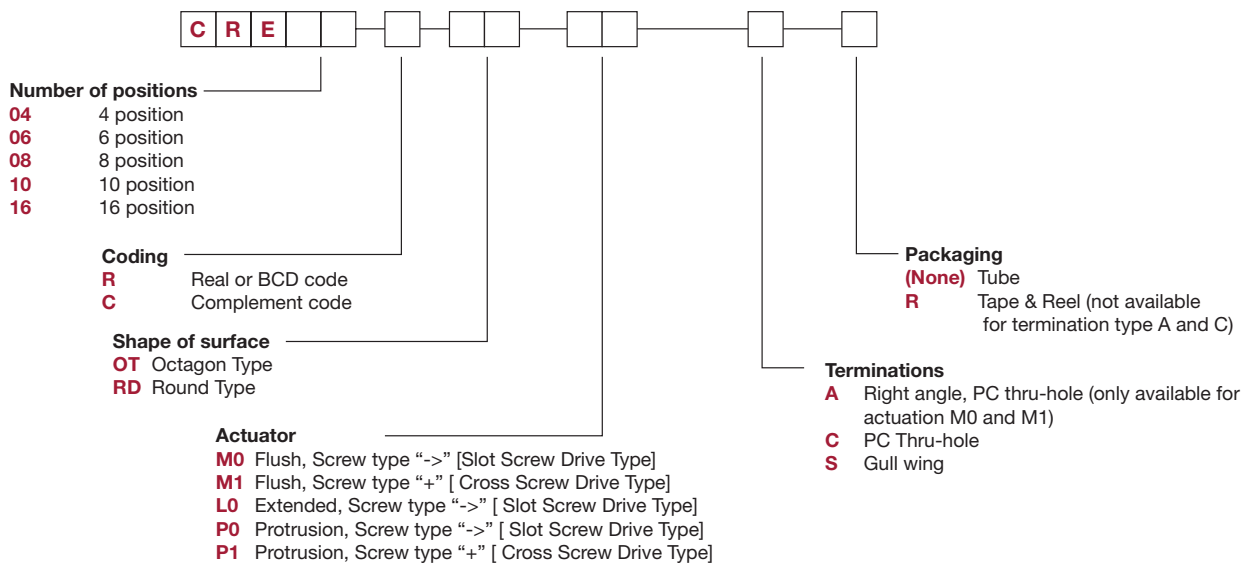
- Straight and right-angle types: Poly Acetal
- Through-hole and SMT types: Nylon#66 (G45%)

CONTACTS: Brass with Gold nickel plating

TERMINALS: Brass with Gold nickel plating

## How To Order

The Build-A Switch concept allows you to mix and match options to create the switch you need. Below is a complete listing of options shown in catalog. To order, simply select desired option from each category and place in the appropriate box.



Third Angle  
Projection

Dimensions are shown: Inch (mm)  
Specifications and dimensions subject to change



20 Jun 19

# CRE Series 10mm DIP Coded Rotary Switches

**NEW**

## CODING

DIP I

### R Real Code

04 POSITION

|             |   | Real Code |   |   |   |   |
|-------------|---|-----------|---|---|---|---|
| 04 POSITION |   | C         | 1 | 2 | 4 | 8 |
| 0           | 0 | •         | • |   |   |   |
| 1           | 1 | •         |   | • |   |   |
| 2           | 2 | •         |   |   | • |   |
| 3           | 3 | •         |   |   |   | • |

06 POSITION

|             |   | Real Code |   |   |   |   |
|-------------|---|-----------|---|---|---|---|
| 06 POSITION |   | C         | 1 | 2 | 4 | 8 |
| 0           | 0 | •         | • |   |   |   |
| 1           | 1 | •         |   | • |   |   |
| 2           | 2 | •         |   |   | • |   |
| 3           | 3 | •         |   |   |   | • |
| 4           | 4 | •         | • | • |   |   |
| 5           | 5 | •         |   |   |   | • |
| 6           | 6 | •         |   |   |   | • |

08 POSITION

|             |   | Real Code |   |   |   |   |
|-------------|---|-----------|---|---|---|---|
| 08 POSITION |   | C         | 1 | 2 | 4 | 8 |
| 0           | 0 | •         | • |   |   |   |
| 1           | 1 | •         |   | • |   |   |
| 2           | 2 | •         |   |   | • |   |
| 3           | 3 | •         |   |   |   | • |
| 4           | 4 | •         | • | • |   |   |
| 5           | 5 | •         |   |   |   | • |
| 6           | 6 | •         |   |   |   | • |
| 7           | 7 | •         | • | • | • |   |

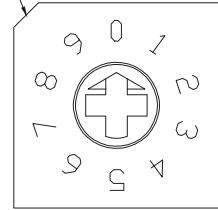
10 POSITION

|             |   | Real Code |   |   |   |   |
|-------------|---|-----------|---|---|---|---|
| 10 POSITION |   | C         | 1 | 2 | 4 | 8 |
| 0           | 0 | •         | • |   |   |   |
| 1           | 1 | •         |   | • |   |   |
| 2           | 2 | •         |   |   | • |   |
| 3           | 3 | •         |   |   |   | • |
| 4           | 4 | •         | • | • |   |   |
| 5           | 5 | •         |   |   |   | • |
| 6           | 6 | •         |   |   |   | • |
| 7           | 7 | •         | • | • |   |   |
| 8           | 8 | •         |   |   |   | • |
| 9           | 9 | •         | • | • | • |   |

16 POSITION

|             |   | Real Code |   |   |   |   |
|-------------|---|-----------|---|---|---|---|
| 16 POSITION |   | C         | 1 | 2 | 4 | 8 |
| 0           | 0 | •         | • |   |   |   |
| 1           | 1 | •         |   | • |   |   |
| 2           | 2 | •         |   |   | • |   |
| 3           | 3 | •         |   |   |   | • |
| 4           | 4 | •         | • | • |   |   |
| 5           | 5 | •         |   |   |   | • |
| 6           | 6 | •         |   |   |   | • |
| 7           | 7 | •         | • | • |   |   |
| 8           | 8 | •         |   |   |   | • |
| 9           | 9 | •         | • | • | • |   |
| A           | A | •         |   |   |   | • |
| B           | B | •         |   |   |   | • |
| C           | C | •         | • | • |   |   |
| D           | D | •         |   |   |   | • |
| E           | E | •         |   |   |   | • |
| F           | F | •         | • | • | • |   |

PIN 1 INDICATOR



### C Complement Code

04 POSITION

|             |   | Complement Code |   |   |   |   |
|-------------|---|-----------------|---|---|---|---|
| 04 POSITION |   | C               | 1 | 2 | 4 | 8 |
| 0           | 0 | •               | • | • | • | • |
| 1           | 1 | •               | • | • | • | • |
| 2           | 2 | •               | • | • | • | • |
| 3           | 3 | •               | • | • | • | • |

06 POSITION

|             |   | Complement Code |   |   |   |   |
|-------------|---|-----------------|---|---|---|---|
| 06 POSITION |   | C               | 1 | 2 | 4 | 8 |
| 0           | 0 | •               | • | • | • | • |
| 1           | 1 | •               | • | • | • | • |
| 2           | 2 | •               | • | • | • | • |
| 3           | 3 | •               | • | • | • | • |
| 4           | 4 | •               | • | • | • | • |
| 5           | 5 | •               | • | • | • | • |

08 POSITION

|             |   | Complement Code |   |   |   |   |
|-------------|---|-----------------|---|---|---|---|
| 08 POSITION |   | C               | 1 | 2 | 4 | 8 |
| 0           | 0 | •               | • | • | • | • |
| 1           | 1 | •               | • | • | • | • |
| 2           | 2 | •               | • | • | • | • |
| 3           | 3 | •               | • | • | • | • |
| 4           | 4 | •               | • | • | • | • |
| 5           | 5 | •               | • | • | • | • |
| 6           | 6 | •               | • | • | • | • |
| 7           | 7 | •               | • | • | • | • |

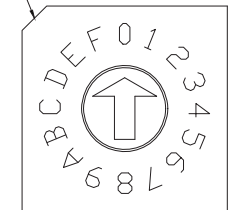
10 POSITION

|             |   | Complement Code |   |   |   |   |
|-------------|---|-----------------|---|---|---|---|
| 10 POSITION |   | C               | 1 | 2 | 4 | 8 |
| 0           | 0 | •               | • | • | • | • |
| 1           | 1 | •               | • | • | • | • |
| 2           | 2 | •               | • | • | • | • |
| 3           | 3 | •               | • | • | • | • |
| 4           | 4 | •               | • | • | • | • |
| 5           | 5 | •               | • | • | • | • |
| 6           | 6 | •               | • | • | • | • |
| 7           | 7 | •               | • | • | • | • |
| 8           | 8 | •               | • | • | • | • |
| 9           | 9 | •               | • | • | • | • |

16 POSITION

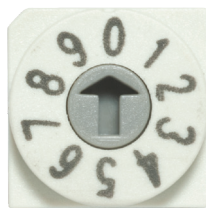
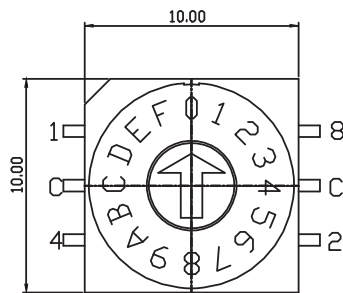
|             |   | Complement Code |   |   |   |   |
|-------------|---|-----------------|---|---|---|---|
| 16 POSITION |   | C               | 1 | 2 | 4 | 8 |
| 0           | 0 | •               | • | • | • | • |
| 1           | 1 | •               | • | • | • | • |
| 2           | 2 | •               | • | • | • | • |
| 3           | 3 | •               | • | • | • | • |
| 4           | 4 | •               | • | • | • | • |
| 5           | 5 | •               | • | • | • | • |
| 6           | 6 | •               | • | • | • | • |
| 7           | 7 | •               | • | • | • | • |
| 8           | 8 | •               | • | • | • | • |
| 9           | 9 | •               | • | • | • | • |
| A           | A | •               | • | • | • | • |
| B           | B | •               | • | • | • | • |
| C           | C | •               | • | • | • | • |
| D           | D | •               | • | • | • | • |
| E           | E | •               | • | • | • | • |
| F           | F | •               | • | • | • | • |

PIN 1 INDICATOR

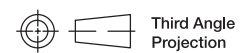
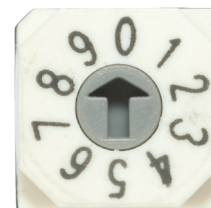
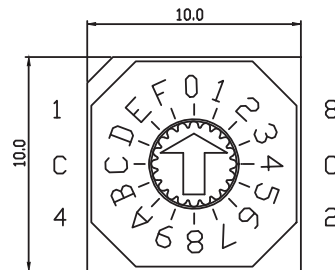


## SHAPE OF SURFACE

### RD Round Type



### OT Octagon Type



Dimensions are shown: Inch (mm)  
Specifications and dimensions subject to change

**NEW**

# CRE Series 10mm DIP Coded Rotary Switches

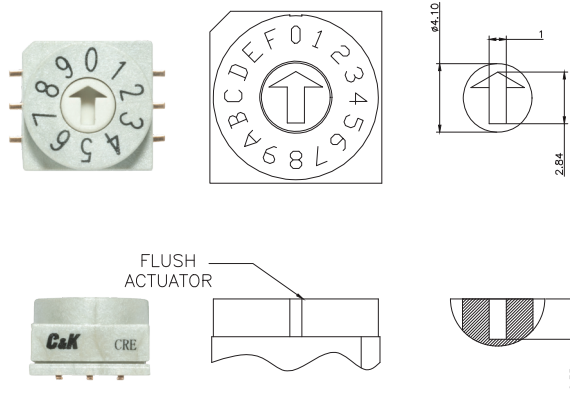


**H**

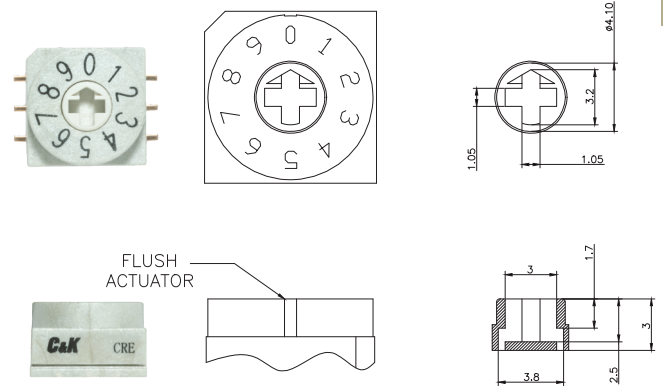
**DIP**

## ACTUATOR

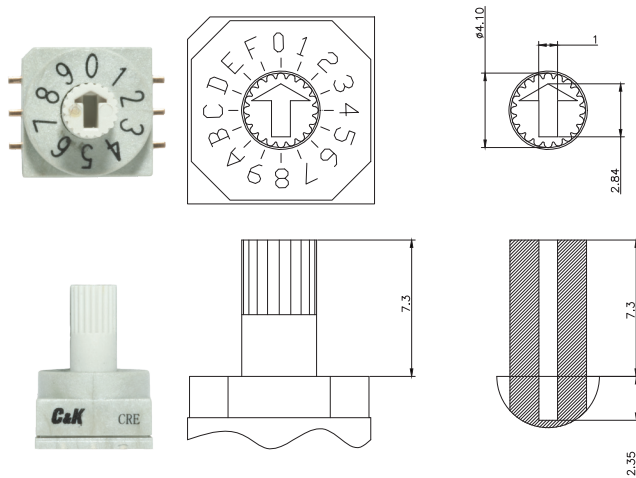
**M0** Flush, Screw type “->”



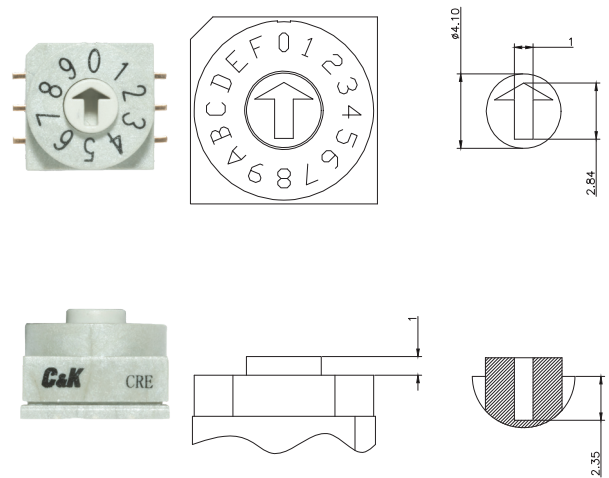
**M1** Flush, Screw type “+”



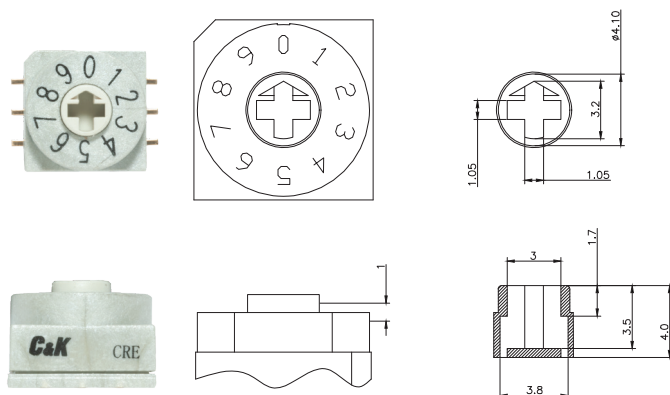
**L0** Extended, Screw type “->”



**P0** Protrusion, Screw type “->”



**P1** Protrusion, Screw type “+”



Third Angle  
Projection

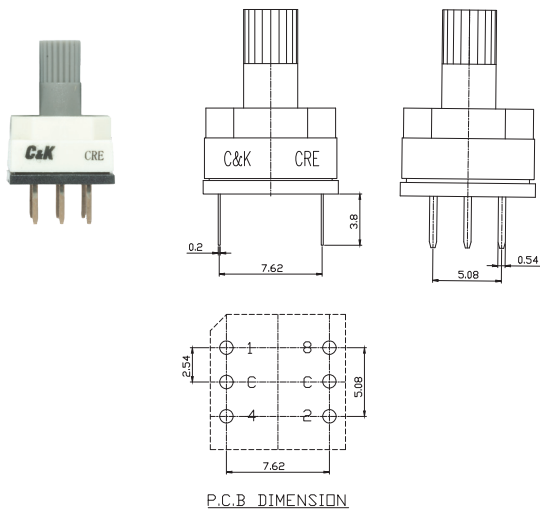
Dimensions are shown: Inch (mm)  
Specifications and dimensions subject to change

# CRE Series 10mm DIP Coded Rotary Switches

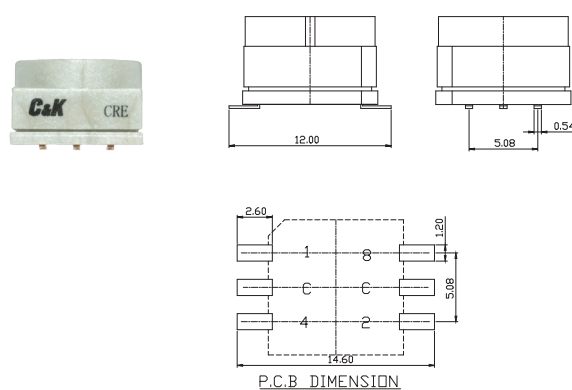
**NEW**

## TERMINATIONS

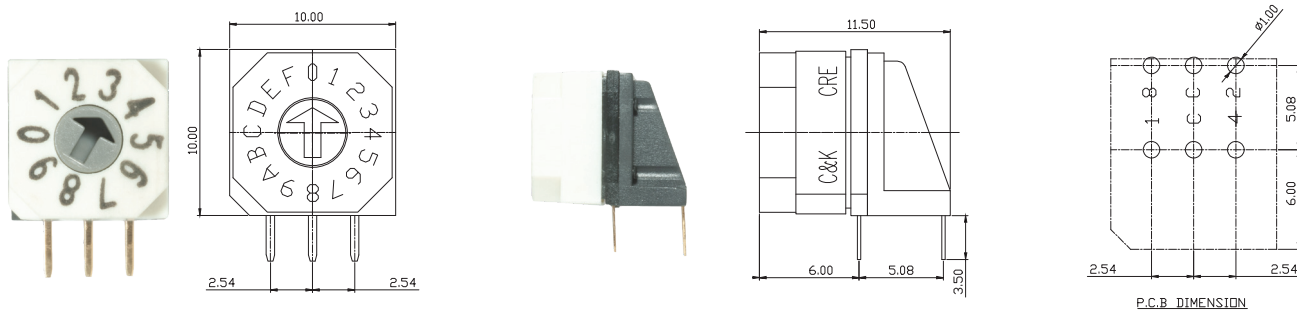
### C PC Thru-hole



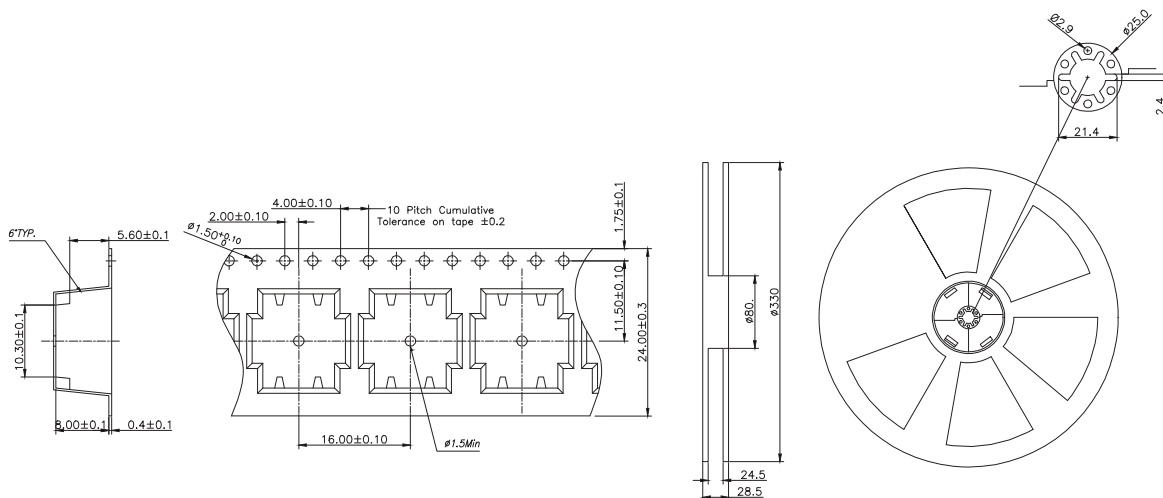
### S Gull wing



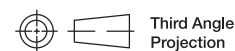
### A Right angle, PC thru-hole



## TAPE & REEL



TAPE & REEL: 600 pcs



Dimensions are shown: Inch (mm)  
Specifications and dimensions subject to change



20 Jun 19





Компания «ЭлектроПласт» предлагает заключение долгосрочных отношений при поставках импортных электронных компонентов на взаимовыгодных условиях!

Наши преимущества:

- Оперативные поставки широкого спектра электронных компонентов отечественного и импортного производства напрямую от производителей и с крупнейших мировых складов;
- Поставка более 17-ти миллионов наименований электронных компонентов;
- Поставка сложных, дефицитных, либо снятых с производства позиций;
- Оперативные сроки поставки под заказ (от 5 рабочих дней);
- Экспресс доставка в любую точку России;
- Техническая поддержка проекта, помощь в подборе аналогов, поставка прототипов;
- Система менеджмента качества сертифицирована по Международному стандарту ISO 9001;
- Лицензия ФСБ на осуществление работ с использованием сведений, составляющих государственную тайну;
- Поставка специализированных компонентов (Xilinx, Altera, Analog Devices, Intersil, Interpoint, Microsemi, Aeroflex, Peregrine, Syfer, Eurofarad, Texas Instrument, Miteq, Cobham, E2V, MA-COM, Hittite, Mini-Circuits, General Dynamics и др.);

Помимо этого, одним из направлений компании «ЭлектроПласт» является направление «Источники питания». Мы предлагаем Вам помощь Конструкторского отдела:

- Подбор оптимального решения, техническое обоснование при выборе компонента;
- Подбор аналогов;
- Консультации по применению компонента;
- Поставка образцов и прототипов;
- Техническая поддержка проекта;
- Защита от снятия компонента с производства.



#### Как с нами связаться

**Телефон:** 8 (812) 309 58 32 (многоканальный)

**Факс:** 8 (812) 320-02-42

**Электронная почта:** [org@eplast1.ru](mailto:org@eplast1.ru)

**Адрес:** 198099, г. Санкт-Петербург, ул. Калинина, дом 2, корпус 4, литера А.