

# Smart Highside High Current Power Switch Reversave™

## Features

- Overload protection
- Current limitation
- Short circuit protection
- Over temperature protection
- Over voltage protection (including load dump)
- Clamp of negative voltage at output
- Fast deenergizing of inductive loads <sup>1)</sup>
- Low ohmic inverse current operation
- **Reversave™** (Reverse battery protection)
- Diagnostic feedback with load current sense
- Open load detection via current sense
- Loss of  $V_{bb}$  protection <sup>2)</sup>
- **Electrostatic discharge (ESD)** protection
- Green product (RoHS compliant)
- AEC qualified

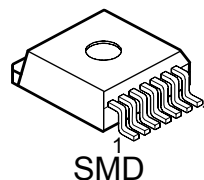
## Product Summary

Overvoltage protection	$V_{bb(AZ)}$	62	V
Output clamp	$V_{ON(CL)}$	42	V
Operating voltage	$V_{bb(on)}$	5.0 ... 34	V
On-state resistance	$R_{ON}$	6.0	mΩ
Load current (ISO)	$I_L(ISO)$	70	A
Short circuit current limitation	$I_L(SC)$	130	A
Current sense ratio	$I_L : I_S$	14 000	

## Application

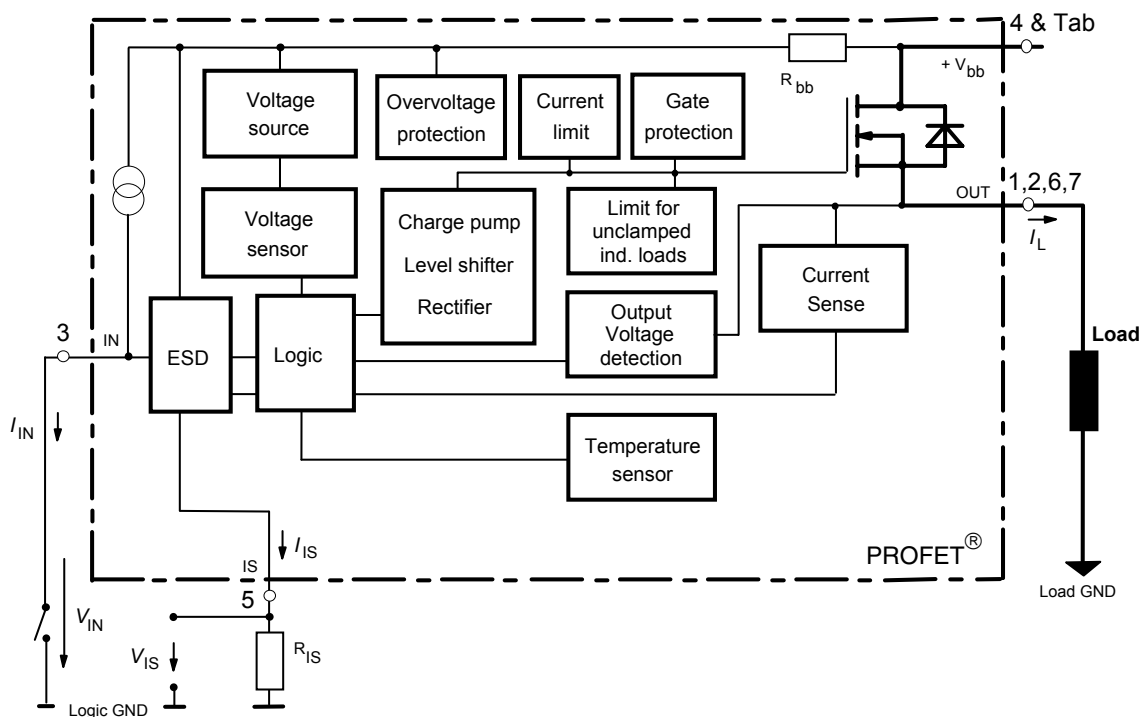
- Power switch with current sense diagnostic feedback for 12V DC grounded loads
- Most suitable for loads with high inrush current like lamps and motors; all types of resistive and inductive loads
- Replaces electromechanical relays, fuses and discrete circuits

PG-TO220-7-4



## General Description

N channel vertical power FET with charge pump, current controlled input and diagnostic feedback with load current sense, integrated in Smart SIPMOS® chip on chip technology. Providing embedded protective functions.



<sup>1)</sup> With additional external diode.

<sup>2)</sup> Additional external diode required for energized inductive loads (see page 9).

Pin	Symbol		Function
1	OUT	O	<b>Output</b> ; output to the load; pin 1, 2, 6 and 7 must be externally shorted with each other especially in high current applications. <sup>3)</sup>
2	OUT	O	<b>Output</b> ; output to the load; pin 1, 2, 6 and 7 must be externally shorted with each other especially in high current applications. <sup>3)</sup>
3	IN	I	<b>Input</b> ; has an internal pull up; activates the power switch in case of short to ground
4	V <sub>bb</sub>	+	<b>Supply voltage</b> ; positive power supply voltage; tab and pin 4 are internally shorted; in high current applications use the tab <sup>4)</sup> .
5	IS	S	<b>Sense Output</b> ; Diagnostic feedback; provides a sense current proportional to the load current; zero current on failure (see Truth Table on page 7)
6	OUT	O	<b>Output</b> ; output to the load; pin 1, 2, 6 and 7 must be externally shorted with each other especially in high current applications. <sup>3)</sup>
7	OUT	O	<b>Output</b> ; output to the load; pin 1, 2, 6 and 7 must be externally shorted with each other especially in high current applications. <sup>3)</sup>

**Maximum Ratings** at  $T_j = 25\text{ °C}$  unless otherwise specified

Parameter	Symbol	Values	Unit
Supply voltage (over voltage protection see page 4)	$V_{bb}$	42	V
Supply voltage for short circuit protection, $T_{j,start} = -40 \dots +150\text{ °C}$ : (see diagram on page 10)	$V_{bb}$	34	V
Load current (short circuit current, see page 5)	$I_L$	self-limited	A
Load dump protection $V_{LoadDump} = V_A + V_S$ , $V_A = 13.5\text{ V}$ $R_I^5) = 2\ \Omega$ , $R_L = 0.54\ \Omega$ , $t_d = 200\text{ ms}$ , IN, IS = open or grounded	$V_{Load\ dump}^6)$	75	V
Operating temperature range	$T_j$	-40 ... +150	°C
Storage temperature range	$T_{stg}$	-55 ... +150	
Power dissipation (DC), $T_C \leq 25\text{ °C}$	$P_{tot}$	170	W
Inductive load switch-off energy dissipation, single pulse $V_{bb} = 12\text{ V}$ , $T_{j,start} = 150\text{ °C}$ , $T_C = 150\text{ °C const.}$ , $I_L = 20\text{ A}$ , $Z_L = 7.5\text{ mH}$ , $0\ \Omega$ , see diagrams on page 10	$E_{AS}$	1.5	J
Electrostatic discharge capability (ESD) Human Body Model acc. MIL-STD883D, method 3015.7 and ESD assn. std. S5.1-1993, $C = 100\text{ pF}$ , $R = 1.5\text{ k}\Omega$	$V_{ESD}$	4	kV
Current through input pin (DC)	$I_{IN}$	+15, -250	mA
Current through current sense status pin (DC) see internal circuit diagrams on page 8 and 9	$I_{IS}$	+15, -250	

<sup>3)</sup> Not shorting all outputs will considerably increase the on-state resistance, reduce the peak current capability and decrease the current sense accuracy

<sup>4)</sup> Otherwise add up to 0.7 m $\Omega$  (depending on used length of the pin) to the  $R_{ON}$  if the pin is used instead of the tab.

<sup>5)</sup>  $R_I$  = internal resistance of the load dump test pulse generator.

<sup>6)</sup>  $V_{Load\ dump}$  is setup without the DUT connected to the generator per ISO 7637-1 and DIN 40839.



**Thermal Characteristics**

Parameter and Conditions	Symbol	Values			Unit
		min	typ	max	
Thermal resistance chip - case: junction - ambient (free air): SMD version, device on PCB <sup>8)</sup> :	$R_{thJC}$ <sup>7)</sup>	--	--	0.75	K/W
	$R_{thJA}$	--	60	--	
		--	33	40	

**Electrical Characteristics**

Parameter and Conditions	Symbol	Values			Unit
		min	typ	max	
at $T_j = -40 \dots +150 \text{ }^\circ\text{C}$ , $V_{bb} = 12 \text{ V}$ unless otherwise specified					

**Load Switching Capabilities and Characteristics**

On-state resistance (Tab to pins 1,2,6,7, see measurement circuit page 7) $I_L = 20 \text{ A}$ , $T_j = 25 \text{ }^\circ\text{C}$ : $V_{IN} = 0$ , $I_L = 20 \text{ A}$ , $T_j = 150 \text{ }^\circ\text{C}$ : $I_L = 90 \text{ A}$ , $T_j = 150 \text{ }^\circ\text{C}$ : $V_{bb} = 6 \text{ V}$ <sup>9)</sup> , $I_L = 20 \text{ A}$ , $T_j = 150 \text{ }^\circ\text{C}$ :	$R_{ON}$    $R_{ON(Static)}$	--	4.4 7.9 -- 10	6.0 10.5 10.7 17	mΩ
Nominal load current <sup>10)</sup> (Tab to pins 1, 2, 6, 7) ISO 10483-1/6.7: $V_{ON} = 0.5 \text{ V}$ , $T_C = 85 \text{ }^\circ\text{C}$ <sup>11)</sup>	$I_{L(ISO)}$	55	70	--	A
Nominal load current <sup>10)</sup> , device on PCB <sup>8)</sup> $T_A = 85 \text{ }^\circ\text{C}$ , $T_j \leq 150 \text{ }^\circ\text{C}$ $V_{ON} \leq 0.5 \text{ V}$ ,	$I_{L(NOM)}$	13.6	17	--	A
Maximum load current in resistive range (Tab to pins 1, 2, 6, 7) $V_{ON} = 1.8 \text{ V}$ , $T_C = 25 \text{ }^\circ\text{C}$ : see diagram on page 13 $V_{ON} = 1.8 \text{ V}$ , $T_C = 150 \text{ }^\circ\text{C}$ :	$I_{L(Max)}$	250 150	-- --	-- --	A
Turn-on time <sup>12)</sup> $I_{IN}$  to 90% $V_{OUT}$ :	$t_{on}$	80	--	400	μs
Turn-off time $I_{IN}$  to 10% $V_{OUT}$ : $R_L = 1 \text{ } \Omega$ , $T_j = -40 \dots +150 \text{ }^\circ\text{C}$	$t_{off}$	30	--	110	μs
Slew rate on <sup>12)</sup> (10 to 30% $V_{OUT}$ ) $R_L = 1 \text{ } \Omega$ , $T_j = 25 \text{ }^\circ\text{C}$	$dV/dt_{on}$	--	0.7	--	V/μs
Slew rate off <sup>12)</sup> (70 to 40% $V_{OUT}$ ) $R_L = 1 \text{ } \Omega$ , $T_j = 25 \text{ }^\circ\text{C}$	$-dV/dt_{off}$	--	1.1	--	V/μs

<sup>7)</sup> Thermal resistance  $R_{thCH}$  case to heatsink (about 0.5 ... 0.9 K/W with silicone paste) not included!

<sup>8)</sup> Device on 50mm\*50mm\*1.5mm epoxy PCB FR4 with 6cm<sup>2</sup> (one layer, 70μm thick) copper area for  $V_{bb}$  connection. PCB is vertical without blown air.

<sup>9)</sup> Decrease of  $V_{bb}$  below 10 V causes slowly a dynamic increase of  $R_{ON}$  to a higher value of  $R_{ON(Static)}$ . As long as  $V_{bIN} > V_{bIN(u) max}$ ,  $R_{ON}$  increase is less than 10 % per second for  $T_j < 85 \text{ }^\circ\text{C}$ .

<sup>10)</sup> not subject to production test, specified by design

<sup>11)</sup>  $T_j$  is about 105°C under these conditions.

<sup>12)</sup> See timing diagram on page 14.

Parameter and Conditions at $T_j = -40 \dots +150^\circ\text{C}$ , $V_{bb} = 12\text{V}$ unless otherwise specified	Symbol	Values			Unit
		min	typ	max	

**Inverse Load Current Operation**

On-state resistance (Pins 1, 2, 6, 7 to pin 4) $V_{bIN} = 12\text{V}$ , $I_L = -20\text{A}$ see diagram on page 10	$T_j = 25^\circ\text{C}$ : $T_j = 150^\circ\text{C}$ :	$R_{ON(inv)}$	--	4.4 7.9	6.0 10.5	$\text{m}\Omega$
Nominal inverse load current (Pins 1, 2, 6, 7 to Tab) $V_{ON} = -0.5\text{V}$ , $T_C = 85^\circ\text{C}^{11}$		$I_{L(inv)}$	55	70	--	A
Drain-source diode voltage ( $V_{out} > V_{bb}$ ) $I_L = -20\text{A}$ , $I_{IN} = 0$ , $T_j = +150^\circ\text{C}$		$-V_{ON}$	--	0.6	--	V

**Operating Parameters**

Operating voltage ( $V_{IN} = 0\text{V}$ ) <sup>13)</sup>		$V_{bb(on)}$	5.0	--	34	V
Under voltage shutdown <sup>14)</sup>		$V_{bIN(u)}$	1.5	3.0	4.5	V
Under voltage start of charge pump see diagram page 15		$V_{bIN(ucp)}$	3.0	4.5	6.0	V
Over voltage protection <sup>15)</sup> $I_{bb} = 15\text{mA}$	$T_j = -40^\circ\text{C}$ : $T_j = 25\dots+150^\circ\text{C}$ :	$V_{Z,IN}$	60 62	-- 66	-- --	V
Standby current $I_{IN} = 0$	$T_j = -40\dots+25^\circ\text{C}$ : $T_j = 150^\circ\text{C}$ :	$I_{bb(off)}$	-- --	15 25	25 50	$\mu\text{A}$

<sup>13)</sup> If the device is turned on before a  $V_{bb}$ -decrease, the operating voltage range is extended down to  $V_{bIN(u)}$ . For all voltages 0 ... 34 V the device provides embedded protection functions against overtemperature and short circuit.

<sup>14)</sup>  $V_{bIN} = V_{bb} - V_{IN}$  see diagram on page 7. When  $V_{bIN}$  increases from less than  $V_{bIN(u)}$  up to  $V_{bIN(ucp)} = 5\text{V}$  (typ.) the charge pump is not active and  $V_{OUT} \approx V_{bb} - 3\text{V}$ .

<sup>15)</sup> See also  $V_{ON(CL)}$  in circuit diagram on page 9.

Parameter and Conditions at $T_j = -40 \dots +150^\circ\text{C}$ , $V_{bb} = 12\text{V}$ unless otherwise specified	Symbol	Values			Unit
		min	typ	max	

**Protection Functions** <sup>16)</sup>

Short circuit current limit (Tab to pins 1, 2, 6, 7) $V_{ON} = 12\text{V}$ , time until shutdown max. $350\ \mu\text{s}$					
$T_c = -40^\circ\text{C}$ :	$I_{L(SC)}$	--	110	--	A
$T_c = 25^\circ\text{C}$ :	$I_{L(SC)}$	--	130	180	
$T_c = +150^\circ\text{C}$ :	$I_{L(SC)}$	65	115	--	
Short circuit shutdown delay after input current positive slope, $V_{ON} > V_{ON(SC)}$ min. value valid only if input "off-signal" time exceeds $30\ \mu\text{s}$	$t_{d(SC)}$	80	--	350	$\mu\text{s}$
Output clamp <sup>17)</sup> (inductive load switch off) see diagram Ind. and overvolt. output clamp page 8	$I_{L=40\text{mA}}$ : $-V_{OUT(CL)}$	14	16.5	20	V
Output clamp (inductive load switch off) at $V_{OUT} = V_{bb} - V_{ON(CL)}$ (e.g. over voltage) $I_{L=40\text{mA}}$	$V_{ON(CL)}$	39	42	47	V
Short circuit shutdown detection voltage (pin 4 to pins 1,2,6,7)	$V_{ON(SC)}$	--	6	--	V
Thermal overload trip temperature	$T_{jt}$	150	--	--	$^\circ\text{C}$
Thermal hysteresis	$\Delta T_{jt}$	--	10	--	K

**Reverse Battery**

Reverse battery voltage <sup>18)</sup>	$-V_{bb}$	--	--	16	V
On-state resistance (Pins 1,2,6,7 to pin 4) $T_j = 25^\circ\text{C}$ : $V_{bb} = -12\text{V}$ , $V_{IN} = 0$ , $I_L = -20\text{A}$ , $R_{IS} = 1\text{k}\Omega$ $T_j = 150^\circ\text{C}$ :	$R_{ON(rev)}$	--	5.4 8.9	7.0 12.3	$\text{m}\Omega$
Integrated resistor in $V_{bb}$ line	$R_{bb}$	--	120	--	$\Omega$

<sup>16)</sup> Integrated protection functions are designed to prevent IC destruction under fault conditions described in the data sheet. Fault conditions are considered as "outside" normal operating range. Protection functions are not designed for continuous repetitive operation.

<sup>17)</sup> This output clamp can be "switched off" by using an additional diode at the IS-Pin (see page 8). If the diode is used,  $V_{OUT}$  is clamped to  $V_{bb} - V_{ON(CL)}$  at inductive load switch off.

<sup>18)</sup> The reverse load current through the intrinsic drain-source diode has to be limited by the connected load (as it is done with all polarity symmetric loads). Note that under off-conditions ( $I_{IN} = I_{IS} = 0$ ) the power transistor is not activated. This results in raised power dissipation due to the higher voltage drop across the intrinsic drain-source diode. The temperature protection is not active during reverse current operation! Increasing reverse battery voltage capability is simply possible as described on page 9.

Parameter and Conditions at $T_j = -40 \dots +150^\circ\text{C}$ , $V_{bb} = 12\text{V}$ unless otherwise specified	Symbol	Values			Unit
		min	typ	max	

**Diagnostic Characteristics**

Current sense ratio, static on-condition, $k_{LIS} = I_L : I_{S,19}$ , $V_{ON} < 1.5\text{V}$ , $V_{IS} < V_{OUT} - 5\text{V}$ , $V_{bIN} > 4.0\text{V}$ see diagram on page 12	$I_L = 90\text{A}$ , $T_j = -40^\circ\text{C}$ :	$k_{LIS}$	12 500	14 200	16 000	
	$T_j = 25^\circ\text{C}$ :		12 500	13 700	16 000	
	$T_j = 150^\circ\text{C}$ :		11 500	13 000	14 500	
	$I_L = 20\text{A}$ , $T_j = -40^\circ\text{C}$ :		12 500	14 500	17 500	
	$T_j = 25^\circ\text{C}$ :		12 000	14 000	16 500	
	$T_j = 150^\circ\text{C}$ :		11 500	13 400	15 000	
	$I_L = 10\text{A}$ , $T_j = -40^\circ\text{C}$ :		12 500	15 000	19 000	
	$T_j = 25^\circ\text{C}$ :		11 500	14 300	17 500	
	$T_j = 150^\circ\text{C}$ :		11 500	13 500	15 500	
	$I_L = 4\text{A}$ , $T_j = -40^\circ\text{C}$ :		11 000	18 000	28 500	
	$T_j = 25^\circ\text{C}$ :		11 000	15 400	22 000	
	$T_j = 150^\circ\text{C}$ :		11 200	14 000	19 000	
$I_{IS}=0$ by $I_{IN}=0$ (e.g. during deenergizing of inductive loads):						
Sense current saturation	$I_{S,lim}$	6.5	--	--	mA	
Current sense leakage current	$I_{IN}=0$ :	$I_{S(LL)}$	--	--	0.5	$\mu\text{A}$
	$V_{IN}=0$ , $I_L \leq 0$ :	$I_{S(LH)}$	--	2	65	
Current sense over voltage protection $I_{bb} = 15\text{mA}$	$T_j = -40^\circ\text{C}$ :	$V_{Z,IS}$	60	--	--	V
	$T_j = 25\dots+150^\circ\text{C}$ :		62	66	--	
Current sense settling time <sup>20)</sup>	$t_{s(IS)}$	--	--	500	$\mu\text{s}$	

**Input**

Input and operating current (see diagram page 13) IN grounded ( $V_{IN}=0$ )	$I_{IN(on)}$	--	0.8	1.5	mA
Input current for turn-off <sup>21)</sup>	$I_{IN(off)}$	--	--	80	$\mu\text{A}$

<sup>19)</sup> If  $V_{ON}$  is higher, the sense current is no longer proportional to the load current due to sense current saturation, see  $I_{S,lim}$ .

<sup>20)</sup> not subject to production test, specified by design

<sup>21)</sup> We recommend the resistance between IN and GND to be less than  $0.5\text{k}\Omega$  for turn-on and more than  $500\text{k}\Omega$  for turn-off. Consider that when the device is switched off ( $I_{IN}=0$ ) the voltage between IN and GND reaches almost  $V_{bb}$ .

Truth Table

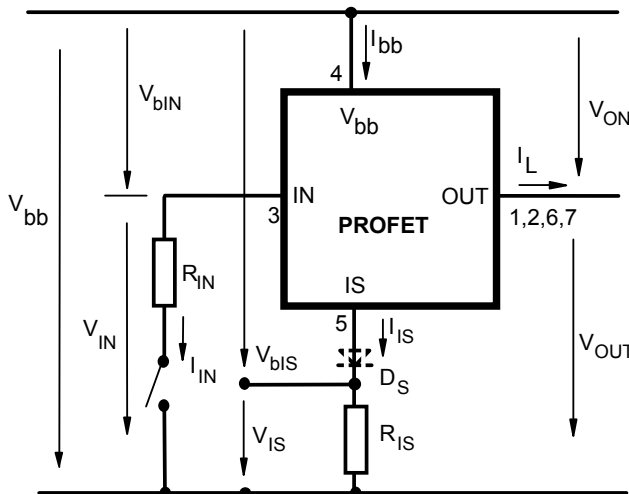
	Input current level	Output level	Current Sense $I_{IS}$	Remark
Normal operation	L H	L H	0 nominal	$=I_L / k_{IIS}$ , up to $I_{IS}=I_{IS,lim}$
Very high load current	H	H	$I_{IS, lim}$	up to $V_{ON}=V_{ON(Fold\ back)}$ $I_{IS}$ no longer proportional to $I_L$
Current-limitation	H	H	0	$V_{ON} > V_{ON(Fold\ back)}$ if $V_{ON}>V_{ON(SC)}$ , shutdown will occur
Short circuit to GND	L H	L L	0 0	
Over temperature	L H	L L	0 0	
Short circuit to $V_{bb}$	L H	H H	0 <nominal <sup>22)</sup>	
Open load	L H	Z <sup>23)</sup> H	0 0	
Negative output voltage clamp	L	L	0	
Inverse load current	L H	H H	0 0	

L = "Low" Level; H = "High" Level

Over temperature reset by cooling:  $T_j < T_{jt}$  (see diagram on page 15)

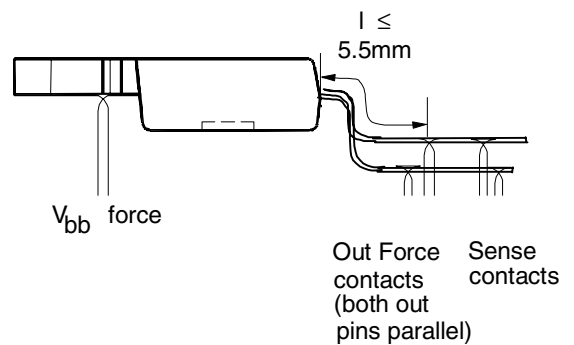
Short circuit to GND: Shutdown remains latched until next reset via input (see diagram on page 14)

Terms



Two or more devices can easily be connected in parallel to increase load current capability.

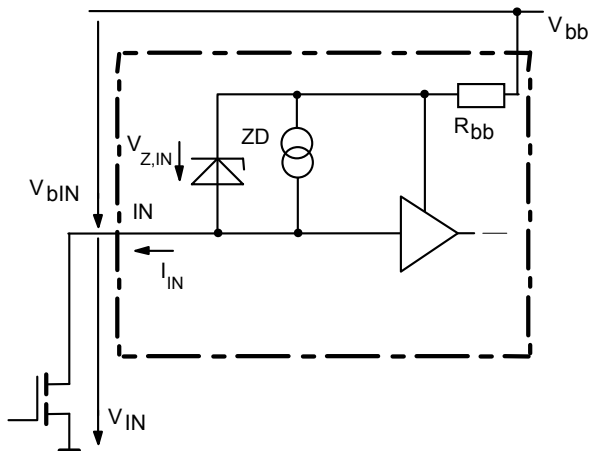
RON measurement layout



Typical RON for SMD version is about 0.2 mΩ less than straight leads due to  $l \approx 2\text{ mm}$

<sup>22)</sup> Low ohmic short to  $V_{bb}$  may reduce the output current  $I_L$  and can thus be detected via the sense current  $I_{IS}$ .  
<sup>23)</sup> Power Transistor "OFF", potential defined by external impedance.

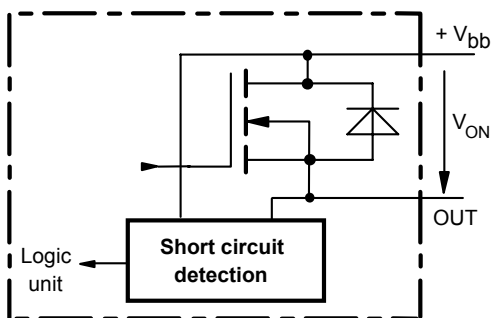
**Input circuit (ESD protection)**



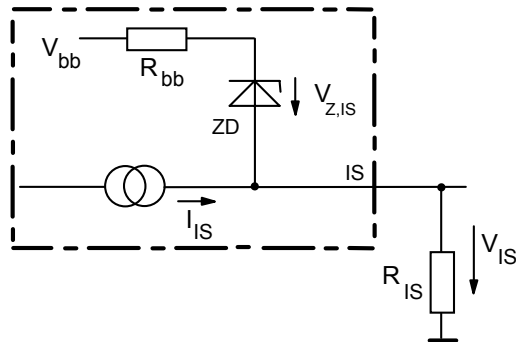
When the device is switched off ( $I_{IN} = 0$ ) the voltage between IN and GND reaches almost  $V_{bb}$ . Use a mechanical switch, a bipolar or MOS transistor with appropriate breakdown voltage as driver.  
 $V_{Z,IN} = 66\text{V (typ.)}$ .

**Short circuit detection**

Fault Condition:  $V_{ON} > V_{ON(SC)}$  (6 V typ.) and  $t > t_{d(SC)}$  (80 ...350  $\mu\text{s}$ ).



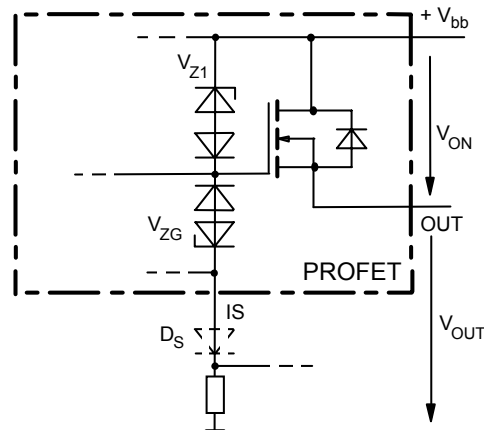
**Current sense status output**



$V_{Z,IS} = 66\text{V (typ.)}$ ,  $R_{IS} = 1\text{ k}\Omega$  nominal (or  $1\text{ k}\Omega/n$ , if  $n$  devices are connected in parallel).  $I_S = I_L/K_{IIS}$  can be driven only by the internal circuit as long as  $V_{out} - V_{IS} > 5\text{ V}$ . If you want measure load currents up to  $I_{L(M)}$ ,  $R_{IS}$  should be less than  $\frac{V_{bb} - 5\text{ V}}{I_{L(M)} / K_{IIS}}$ .

Note: For large values of  $R_{IS}$  the voltage  $V_{IS}$  can reach almost  $V_{bb}$ . See also over voltage protection. If you don't use the current sense output in your application, you can leave it open.

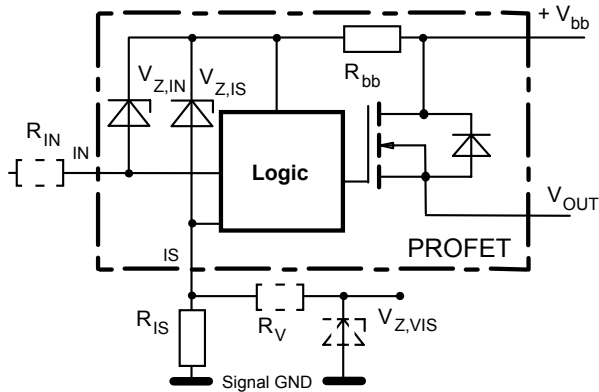
**Inductive and over voltage output clamp**



$V_{ON}$  is clamped to  $V_{ON(CL)} = 42\text{ V typ.}$  At inductive load switch-off without  $D_S$ ,  $V_{OUT}$  is clamped to  $V_{OUT(CL)} = -19\text{ V typ.}$  via  $V_{ZG}$ . With  $D_S$ ,  $V_{OUT}$  is clamped to  $V_{bb} - V_{ON(CL)}$  via  $V_{Z1}$ . Using  $D_S$  gives faster deenergizing of the inductive load, but higher peak power dissipation in the PROFET. In case of a floating ground with a potential higher than 19V referring to the OUT – potential the device will switch on, if diode  $D_S$  is not used.

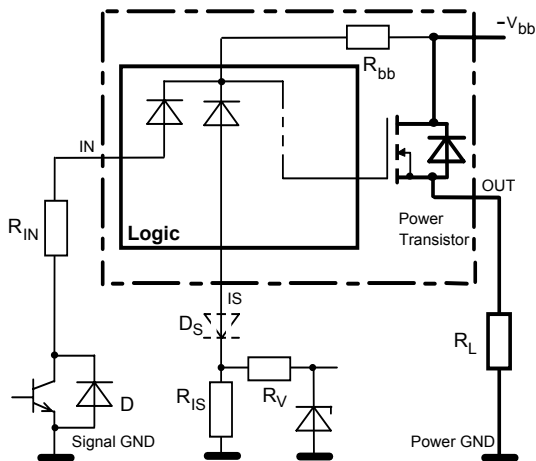


**Over voltage protection of logic part**



$R_{bb} = 120\Omega$  typ.,  $V_{Z,IN} = V_{Z,IS} = 66V$  typ.,  $R_{IS} = 1k\Omega$  nominal. Note that when over voltage exceeds  $71V$  typ. a voltage above  $5V$  can occur between  $IS$  and  $GND$ , if  $R_V, V_{Z,VIS}$  are not used.

**Reverse battery protection**



$R_V \geq 1k\Omega$ ,  $R_{IS} = 1k\Omega$  nominal. Add  $R_{IN}$  for reverse battery protection in applications with  $V_{bb}$  above  $16V^{18}$ ; recommended value:

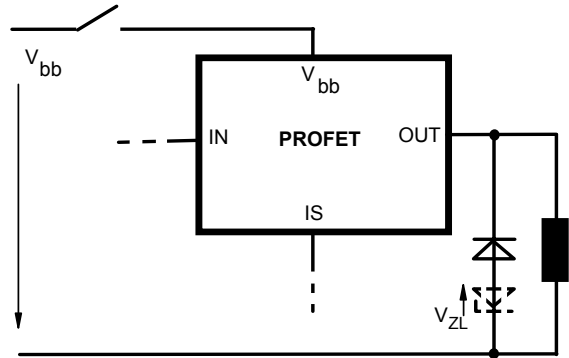
$$\frac{1}{R_{IN}} + \frac{1}{R_{IS}} + \frac{1}{R_V} = \frac{0.1A}{|V_{bb}| - 12V} \text{ if } D_S \text{ is not used (or } \frac{1}{R_{IN}} = \frac{0.1A}{|V_{bb}| - 12V} \text{ if } D_S \text{ is used).}$$

To minimize power dissipation at reverse battery operation, the summarized current into the  $IN$  and  $IS$  pin should be about  $120mA$ . The current can be provided by using a small signal diode  $D$  in parallel to the input switch, by using a MOSFET input switch or by proper adjusting the current through  $R_{IS}$  and  $R_V$ .

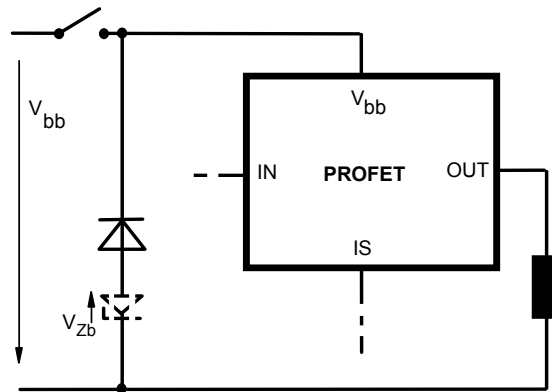
**$V_{bb}$  disconnect with energized inductive load**

Provide a current path with load current capability by using a diode, a Z-diode, or a varistor. ( $V_{ZL} < 72V$  or  $V_{Zb} < 30V$  if  $R_{IN}=0$ ). For higher clamp voltages currents at  $IN$  and  $IS$  have to be limited to  $250mA$ .

Version a:

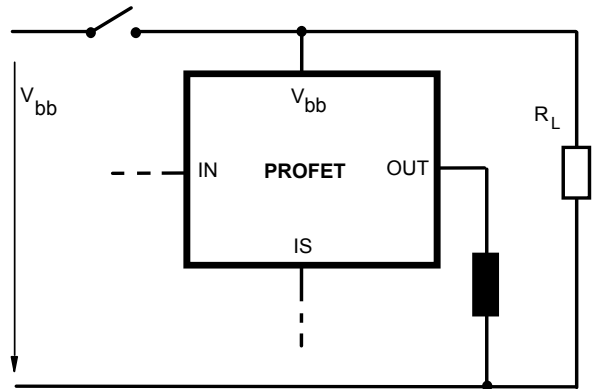


Version b:

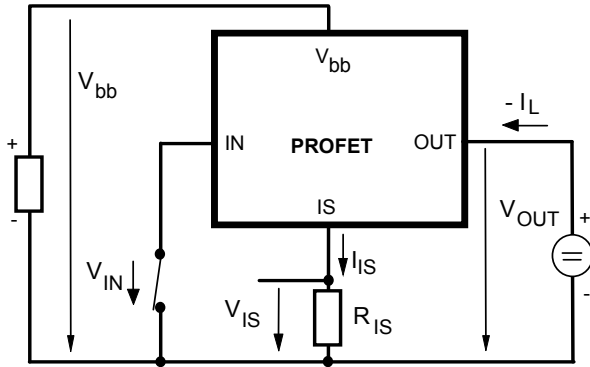


Note that there is no reverse battery protection when using a diode without additional Z-diode  $V_{ZL}, V_{Zb}$ .

Version c: Sometimes a necessary voltage clamp is given by non inductive loads  $R_L$  connected to the same switch and eliminates the need of clamping circuit:



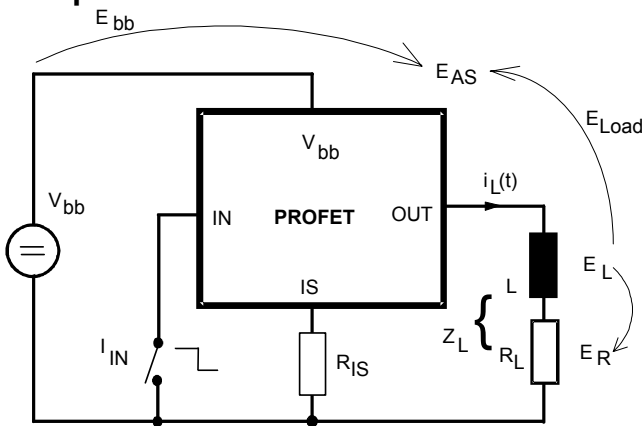
### Inverse load current operation



The device is specified for inverse load current operation ( $V_{OUT} > V_{bb} > 0V$ ). The current sense feature is not available during this kind of operation ( $I_{IS} = 0$ ). With  $I_{IN} = 0$  (e.g. input open) only the intrinsic drain source diode is conducting resulting in considerably increased power dissipation. If the device is switched on ( $V_{IN} = 0$ ), this power dissipation is decreased to the much lower value  $R_{ON(INV)} \cdot I^2$  (specifications see page 4).

Note: Temperature protection during inverse load current operation is not possible!

### Inductive load switch-off energy dissipation



Energy stored in load inductance:

$$E_L = 1/2 \cdot L \cdot I_L^2$$

While demagnetizing load inductance, the energy dissipated in PROFET is

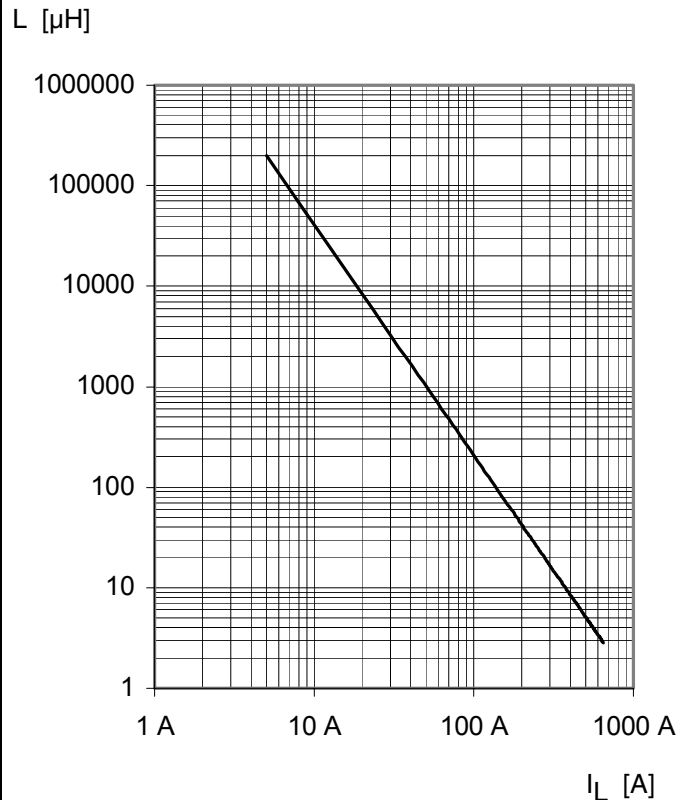
$$E_{AS} = E_{bb} + E_L - E_R = \int V_{ON(CL)} \cdot i_L(t) dt,$$

with an approximate solution for  $R_L > 0 \Omega$ :

$$E_{AS} = \frac{I_L \cdot L}{2 \cdot R_L} (V_{bb} + |V_{OUT(CL)}|) \ln \left( 1 + \frac{I_L \cdot R_L}{|V_{OUT(CL)}|} \right)$$

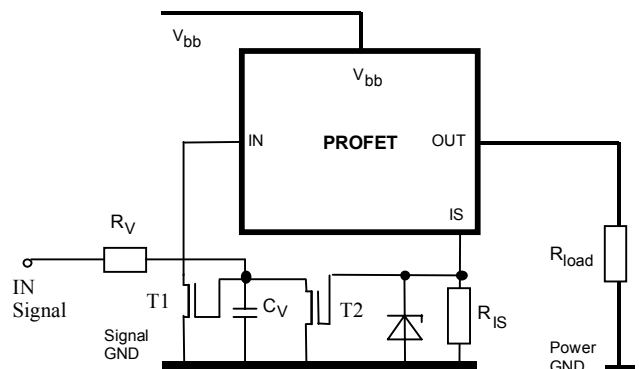
### Maximum allowable load inductance for a single switch off

$L = f(I_L)$ ;  $T_{j,start} = 150^\circ C$ ,  $V_{bb} = 12V$ ,  $R_L = 0 \Omega$



### Externally adjustable current limit

If the device is conducting, the sense current can be used to reduce the short circuit current and allow higher lead inductance (see diagram above). The device will be turned off, if the threshold voltage of T2 is reached by  $I_s \cdot R_{IS}$ . After a delay time defined by  $R_V \cdot C_V$  T1 will be reset. The device is turned on again, the short circuit current is defined by  $I_{L(SC)}$  and the device is shut down after  $t_{d(SC)}$  with latch function.



**Options Overview**

Type	BTS50055-1TMA
Over temperature protection with hysteresis $T_j > 150\text{ °C}$ , latch function <sup>24)</sup>	X
$T_j > 150\text{ °C}$ , with auto-restart on cooling	X
Short circuit to GND protection with over temperature shutdown switches off when $V_{ON} > 6\text{ V typ.}$ (when first turned on after approx. 180 $\mu\text{s}$ )	X
Over voltage shutdown	-
Output negative voltage transient limit to $V_{bb} - V_{ON(CL)}$ to $V_{OUT} = -19\text{ V typ}$	X X <sup>25)</sup>

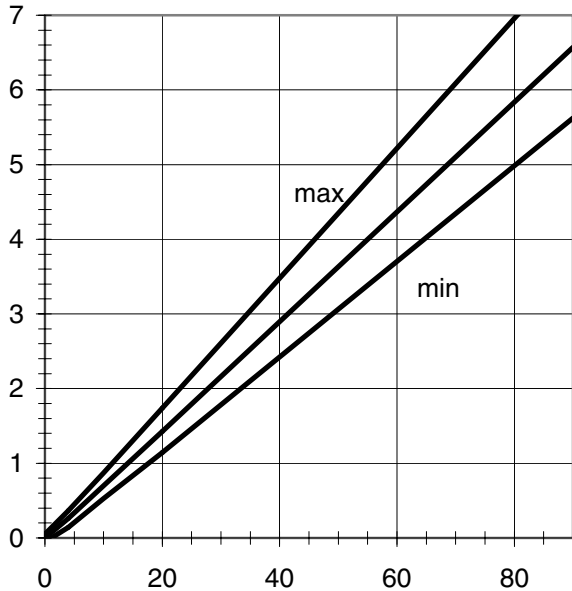
<sup>24)</sup> Latch except when  $V_{bb} - V_{OUT} < V_{ON(SC)}$  after shutdown. In most cases  $V_{OUT} = 0\text{ V}$  after shutdown ( $V_{OUT} \neq 0\text{ V}$  only if forced externally). So the device remains latched unless  $V_{bb} < V_{ON(SC)}$  (see page 5). No latch between turn on and  $t_{d(SC)}$ .

<sup>25)</sup> Can be "switched off" by using a diode  $D_S$  (see page 8) or leaving open the current sense output.

### Characteristics

**Current sense versus load current:**

$I_{IS} = f(I_L), T_J = -40 \dots +150 \text{ }^\circ\text{C}$



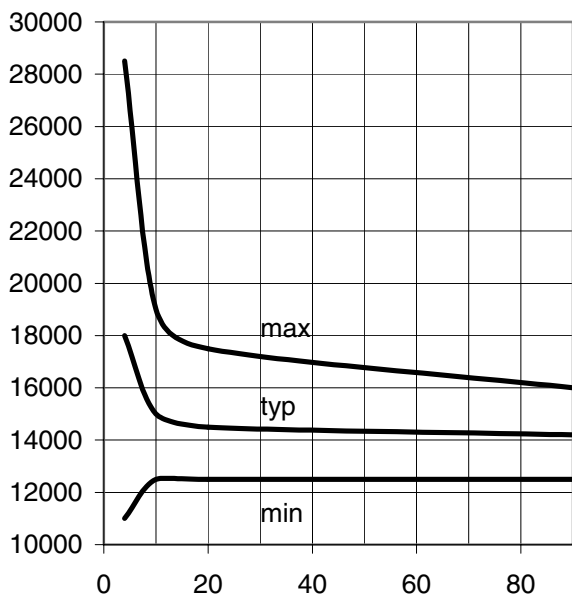
$I_{IS}$  [mA]

$I_L$  [A]

**Current sense ratio:**

$K_{ILIS} = f(I_L), T_J = -40^\circ\text{C}$

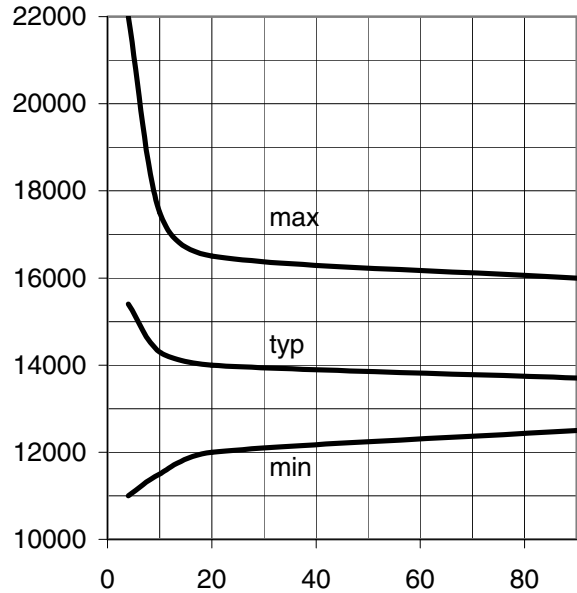
$k_{ILIS}$



$I_L$  [A]

**Current sense ratio:**

$I_{IS} = f(I_L), T_J = 25 \text{ }^\circ\text{C}$

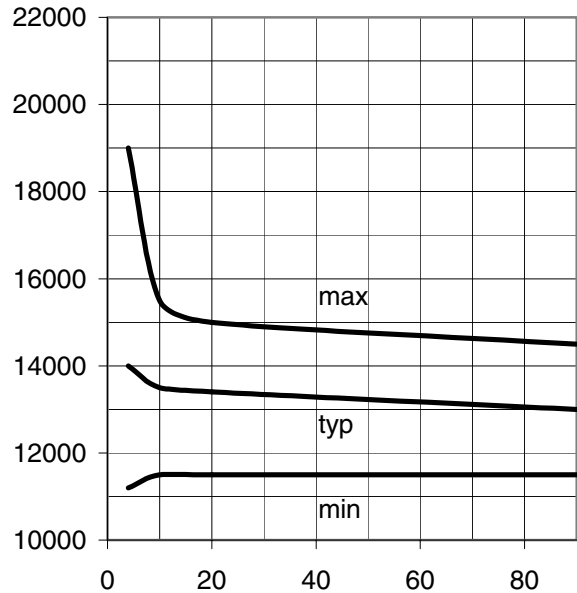


$k_{ILIS}$

$I_L$  [A]

**Current sense ratio:**

$K_{ILIS} = f(I_L), T_J = 150^\circ\text{C}$

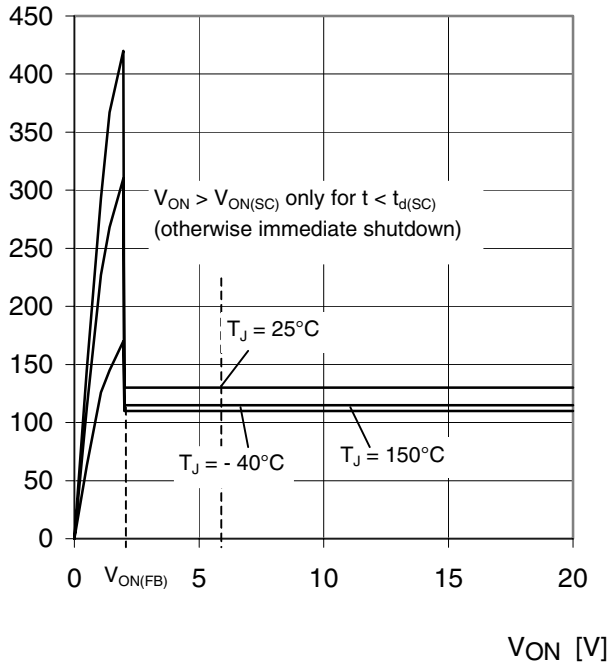


$k_{ILIS}$

$I_L$  [A]

**Typ. current limitation characteristic**  
 $I_L = f(V_{ON}, T_j)$

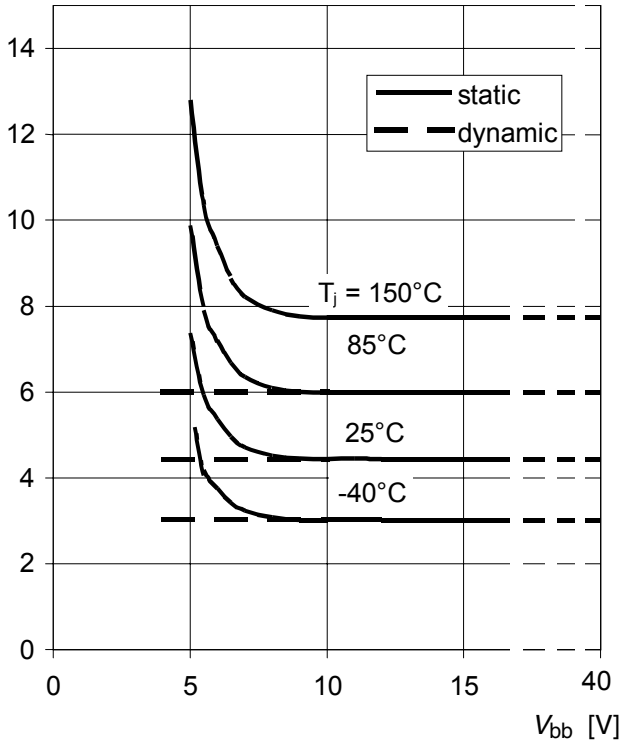
$I_L$  [A]



In case of  $V_{ON} > V_{ON(SC)}$  (typ. 6 V) the device will be switched off by internal short circuit detection.

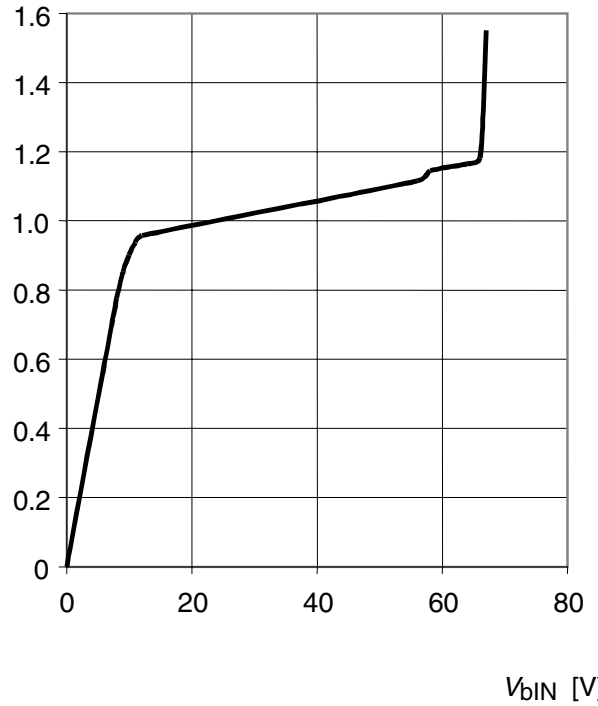
**Typ. on-state resistance**  
 $R_{ON} = f(V_{bb}, T_j); I_L = 20\text{ A}; V_{IN} = 0$

$R_{ON}$  [mOhm]



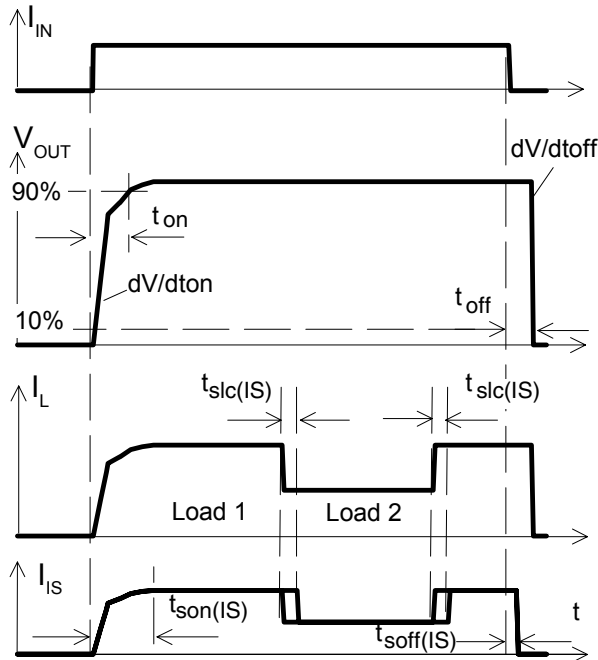
**Typ. input current**

$I_{IN} = f(V_{bIN}), V_{bIN} = V_{bb} - V_{IN}$   
 $I_{IN}$  [mA]



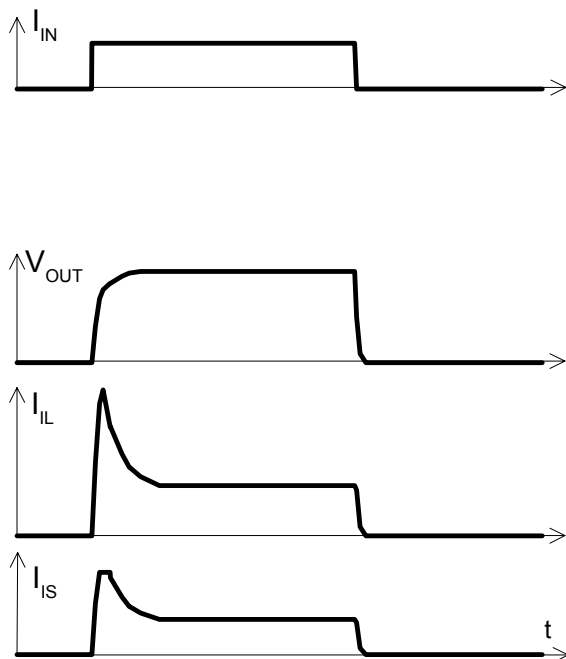
## Timing diagrams

**Figure 1a:** Switching a resistive load, change of load current in on-condition:



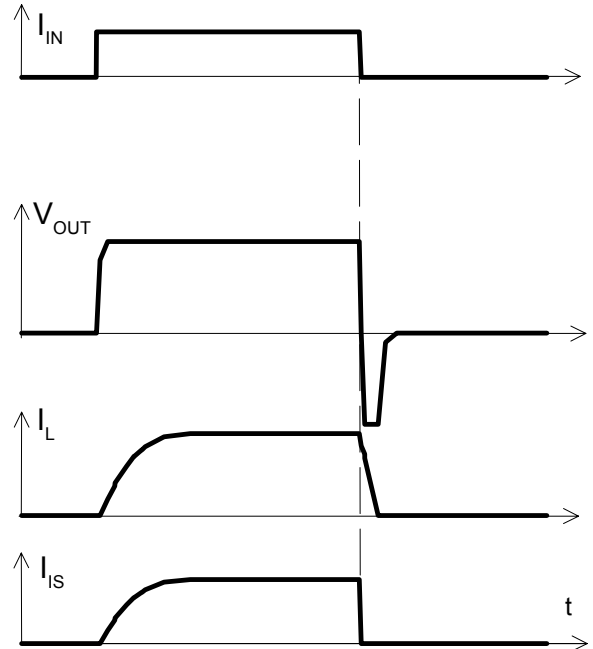
The sense signal is not valid during a settling time after turn-on/off and after change of load current.

**Figure 2b:** Switching motors and lamps:



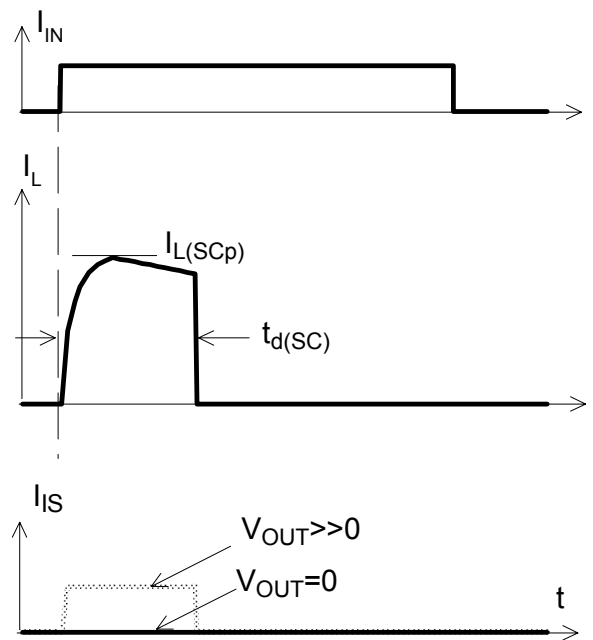
Sense current saturation can occur at very high inrush currents (see  $I_{IS,lim}$  on page 6).

**Figure 2c:** Switching an inductive load:



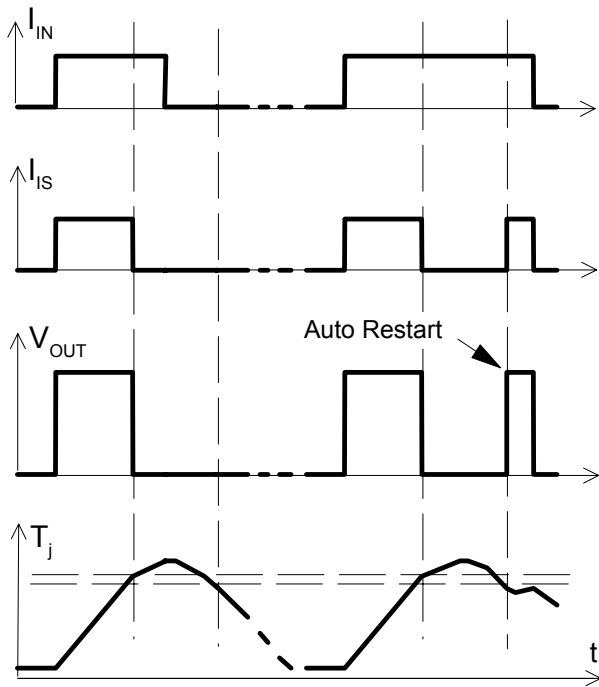
**Figure 3d:** Short circuit:

shut down by short circuit detection, reset by  $I_{IN} = 0$ .

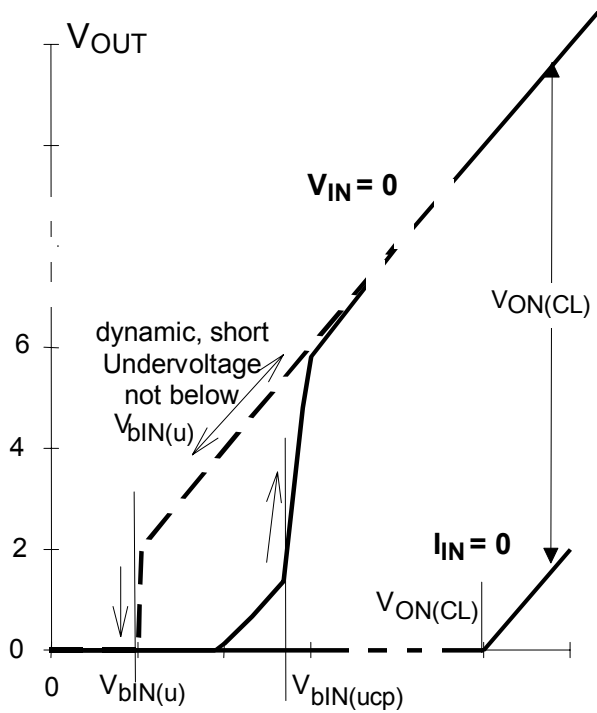


Shut down remains latched until next reset via input.

**Figure 4e:** Over temperature Reset if  $T_j < T_{jt}$



**Figure 6f:** Under voltage restart of charge pump, over voltage clamp

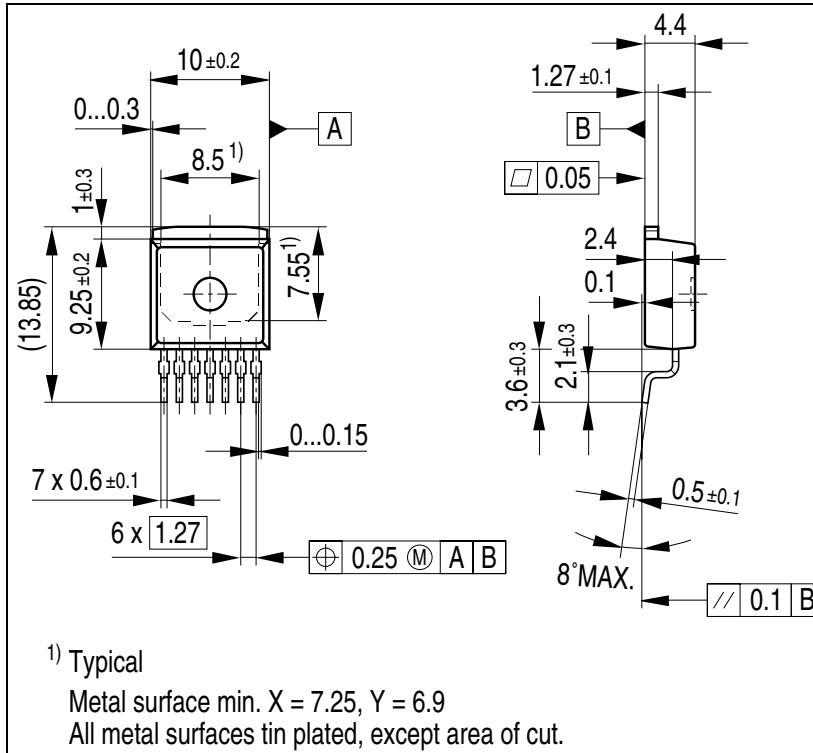


## Package and Ordering Code

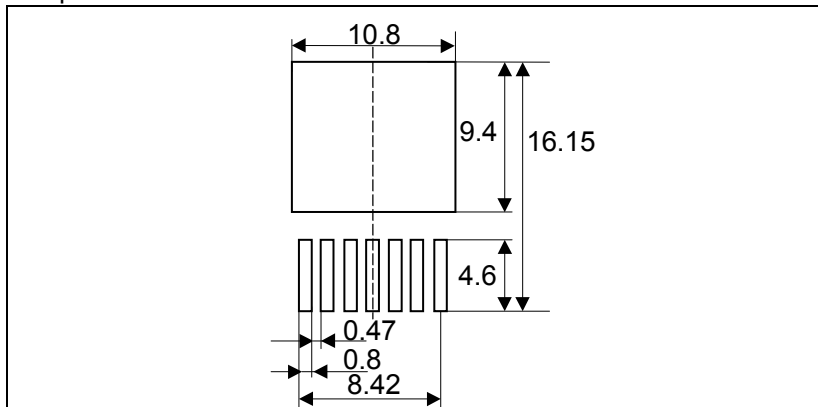
All dimensions in mm

### SMD: PG-TO220-7-4

Sales Code	BTS50055-1TMA
------------	---------------



Footprint:



### Green Product (RoHS compliant)

To meet the world-wide customer requirements for environmentally friendly products and to be compliant with government regulations the device is available as a green product. Green products are RoHS-Compliant (i.e. Pb-free finish on leads and suitable for Pb-free soldering according to IPC/JEDEC J-STD-020).



## Revision History

Version	Date	Changes
Rev. 1.1	2010-04-27	Limits of parameter $t_{on}$ changed to min 80 $\mu$ s / max 400 $\mu$ s
Rev. 1.0	2008-01-24	Initial version of data sheet. Green (RoHS compliant) variant of BTS650P

**Edition 2010-April-27**

**Published by  
Infineon Technologies AG  
81726 Munich, Germany**

**© Infineon Technologies AG 2010.  
All Rights Reserved.**

#### **Legal Disclaimer**

The information given in this document shall in no event be regarded as a guarantee of conditions or characteristics ("Beschaffenhheitsgarantie"). With respect to any examples or hints given herein, any typical values stated herein and/or any information regarding the application of the device, Infineon Technologies hereby disclaims any and all warranties and liabilities of any kind, including without limitation warranties of non-infringement of intellectual property rights of any third party.

#### **Information**

For further information on technology, delivery terms and conditions and prices please contact your nearest Infineon Technologies Office ([www.infineon.com](http://www.infineon.com)).

#### **Warnings**

Due to technical requirements components may contain dangerous substances. For information on the types in question please contact your nearest Infineon Technologies Office.

Infineon Technologies Components may only be used in life-support devices or systems with the express written approval of Infineon Technologies, if a failure of such components can reasonably be expected to cause the failure of that life-support device or system, or to affect the safety or effectiveness of that device or system. Life support devices or systems are intended to be implanted in the human body, or to support and/or maintain and sustain and/or protect human life. If they fail, it is reasonable to assume that the health of the user or other persons may be endangered.

# Mouser Electronics

Authorized Distributor

Click to View Pricing, Inventory, Delivery & Lifecycle Information:

[Infineon:](#)

[BTS50055-1TMA](#) [BTS500551TMAATMA1](#)



Компания «ЭлектроПласт» предлагает заключение долгосрочных отношений при поставках импортных электронных компонентов на взаимовыгодных условиях!

Наши преимущества:

- Оперативные поставки широкого спектра электронных компонентов отечественного и импортного производства напрямую от производителей и с крупнейших мировых складов;
- Поставка более 17-ти миллионов наименований электронных компонентов;
- Поставка сложных, дефицитных, либо снятых с производства позиций;
- Оперативные сроки поставки под заказ (от 5 рабочих дней);
- Экспресс доставка в любую точку России;
- Техническая поддержка проекта, помощь в подборе аналогов, поставка прототипов;
- Система менеджмента качества сертифицирована по Международному стандарту ISO 9001;
- Лицензия ФСБ на осуществление работ с использованием сведений, составляющих государственную тайну;
- Поставка специализированных компонентов (Xilinx, Altera, Analog Devices, Intersil, Interpoint, Microsemi, Aeroflex, Peregrine, Syfer, Eurofarad, Texas Instrument, Miteq, Cobham, E2V, MA-COM, Hittite, Mini-Circuits, General Dynamics и др.);

Помимо этого, одним из направлений компании «ЭлектроПласт» является направление «Источники питания». Мы предлагаем Вам помощь Конструкторского отдела:

- Подбор оптимального решения, техническое обоснование при выборе компонента;
- Подбор аналогов;
- Консультации по применению компонента;
- Поставка образцов и прототипов;
- Техническая поддержка проекта;
- Защита от снятия компонента с производства.



#### Как с нами связаться

**Телефон:** 8 (812) 309 58 32 (многоканальный)

**Факс:** 8 (812) 320-02-42

**Электронная почта:** [org@eplast1.ru](mailto:org@eplast1.ru)

**Адрес:** 198099, г. Санкт-Петербург, ул. Калинина, дом 2, корпус 4, литера А.