

Safety relays - PSR-SCP-24DC/MXF4/4X1/2X2/B - 2903260

Please be informed that the data shown in this PDF Document is generated from our Online Catalog. Please find the complete data in the user's documentation. Our General Terms of Use for Downloads are valid (<http://phoenixcontact.com/download>)




Multifunctional safety relay for emergency stop, safety doors, and light grid up to SIL 3, Cat. 4, PL e, automatically or manually monitored activation, 4 N/O contacts, 3 safety functions, 2 shutdown levels, plug-in screw terminal block

Why buy this product

- Up to Cat.4/PL e according to EN ISO 13849-1, SILCL 3 according to EN 62061, SIL 3 according to IEC 61508
- 3 safety functions in one device
- Low housing width of only 22.5mm
- No software configuration required
- Also available with push-in connection



Key Commercial Data

| | |
|--------------------------------------|---|
| Packing unit | 1 STK |
| GTIN |  4 046356 729246 |
| Weight per Piece (excluding packing) | 99.99 g |
| Weight per piece (including packing) | 298.4 g |
| Country of origin | Germany |
| Note | Made to Order (non-returnable) |

Technical data

Note

| | |
|-------------------------|---|
| Utilization restriction | EMC: class A product, see manufacturer's declaration in the download area |
|-------------------------|---|

Dimensions

| | |
|--------|----------|
| Width | 22.5 mm |
| Height | 112.2 mm |
| Depth | 114.5 mm |

Ambient conditions

| | |
|---------------------------------|---------------------------------------|
| Ambient temperature (operation) | -20 °C ... 45 °C (see derating curve) |
|---------------------------------|---------------------------------------|

Safety relays - PSR-SCP-24DC/MXF4/4X1/2X2/B - 2903260

Technical data

Ambient conditions

| | |
|--|---|
| Ambient temperature (storage/transport) | -25 °C ... 85 °C |
| Max. permissible relative humidity (operation) | 75 % (on average, 85% infrequently, non-condensing) |
| Max. permissible humidity (storage/transport) | 75 % (on average, 85% infrequently, non-condensing) |
| Maximum altitude | ≤ 2000 m (Above sea level) |

Input data

| | |
|---|---|
| Nominal input voltage U_N | 24 V DC |
| Input voltage range in reference to U_N | 0.85 ... 1.1 |
| Typical input current at U_N | 125 mA (with actuated relays) |
| | 55 mA (Two-channel 24 V/0 V + max. 200 mA control (message outputs 32/62) with non-actuated relays) |
| Current consumption | typ. 5 mA (I_{max}/I_x inputs) |
| | 20 mA (in electric torque) |
| Voltage at input/start and feedback circuit | 24 V -15 %; +10 % (first channel: 24 V; second channel: 0 V) |
| Typical response time | 175 ms (monitored/manual start) |
| | 250 ms (automatic start) |
| Typ. starting time with U_s | 250 ms (when controlled via A1) |
| Typical release time | 25 ms (when controlled via S11/S12 and S21/S22) |
| | 20 ms (when controlled via A1) |
| Concurrence input 1/2 | ∞ |
| Recovery time | 1 s (Availability time after activation of sensor circuit: 100ms) |
| Status display | 5 green LEDs |
| Maximum switching frequency | 0.5 Hz |
| Max. permissible overall conductor resistance | 100 Ω |
| Filter time | max. 1.5 ms (Test pulse duration; for all equivalent inputs) |
| | min. 7.5 ms (Test pulse rate; for all equivalent inputs) |

Output data

| | |
|---------------------------------------|---|
| Contact type | 4 enabling current paths |
| | 2 semiconductor alarm outputs |
| Contact material | AgCuNi, +0,2 -0,4 μm Au |
| Minimum switching voltage | 10 V AC/DC |
| Maximum switching voltage | 250 V AC/DC |
| Limiting continuous current | 6 A (N/O contact) |
| | max. 100 mA (Alarm output (24 V DC)) |
| Inrush current, minimum | 10 mA |
| Maximum inrush current | 6 A |
| Sq. Total current | $72 A^2 (I_{TH}^2 = I_1^2 + I_2^2 + I_3^2 + I_4^2)$ |
| Interrupting rating (ohmic load) max. | 1500 VA (250 V AC, τ = 0 ms) |
| | 66 W (220 V DC, τ = 0 ms) |
| | 66 W (110 V DC, τ = 0 ms) |
| | 100 W (48 V DC, τ = 0 ms) |

Safety relays - PSR-SCP-24DC/MXF4/4X1/2X2/B - 2903260

Technical data

Output data

| | |
|--|--|
| | 144 W (24 V DC, $\tau = 0$ ms) |
| Maximum interrupting rating (inductive load) | 48 W (24 V DC, $\tau = 40$ ms) |
| | 43 W (48 V DC, $\tau = 40$ ms) |
| Switching capacity min. | 0.1 W |
| Output fuse | 6 A gL/gG NEOZED (N/O contact) |
| | 4 A gL/gG NEOZED (for low-demand applications) |

General

| | |
|---|---|
| Relay type | Electromechanical relay with forcibly guided contacts in accordance with EN 50205 |
| Mechanical service life | 10 x 10 ⁶ cycles |
| Net weight | 99.99 g |
| Mounting type | DIN rail mounting |
| Assembly instructions | See derating curve |
| Degree of protection | IP20 |
| Min. degree of protection of inst. location | IP54 |
| Mounting position | vertical or horizontal |
| Control | one and two channel |

Connection data

| | |
|---------------------------------------|---------------------|
| Connection method | Screw connection |
| pluggable | Yes |
| Conductor cross section solid min. | 0.2 mm ² |
| Conductor cross section solid max. | 2.5 mm ² |
| Conductor cross section flexible min. | 0.2 mm ² |
| Conductor cross section flexible max. | 2.5 mm ² |
| Conductor cross section AWG min. | 24 |
| Conductor cross section AWG max. | 12 |
| Stripping length | 7 mm |
| Screw thread | M3 |

Safety-related characteristic data

| | |
|---|--|
| Stop category | 0 |
| Safety Integrity Level (SIL) | 3 |
| | 3 |
| Designation | EN ISO 13849 |
| Performance level (PL) | e (5 A DC13; 3 A AC15; 8760 cycles/year) |
| Category | 4 |
| Safety Integrity Level Claim Limit (SIL CL) | 3 |
| Designation | IEC 50156 |
| Safety Integrity Level (SIL) | 3 |

Standards and Regulations

Safety relays - PSR-SCP-24DC/MXF4/4X1/2X2/B - 2903260

Technical data

Standards and Regulations

| | |
|--------------------------------|--|
| Designation | Air clearances and creepage distances between the power circuits |
| Standards/regulations | DIN EN 50178/VDE 0160 |
| Rated insulation voltage | 250 V AC |
| Rated surge voltage/insulation | 4 kV/basic isolation (safe isolation, reinforced insulation and 6 kV between input circuit, enabling current paths and safety circuit 1 (13/14, 23/24) and safety circuit 2 (43/44, 53/54).) |
| Degree of pollution | 2 |
| Overvoltage category | III |

Classifications

eCl@ss

| | |
|------------|----------|
| eCl@ss 4.0 | 27371102 |
| eCl@ss 4.1 | 27371102 |
| eCl@ss 5.0 | 27371901 |
| eCl@ss 5.1 | 27371901 |
| eCl@ss 6.0 | 27371819 |
| eCl@ss 7.0 | 27371819 |
| eCl@ss 8.0 | 27371819 |
| eCl@ss 9.0 | 27371819 |

ETIM

| | |
|----------|----------|
| ETIM 4.0 | EC001449 |
| ETIM 5.0 | EC001449 |

Approvals

Approvals

Approvals

Functional Safety / UL Listed / cUL Listed / EAC / cULus Listed

Ex Approvals

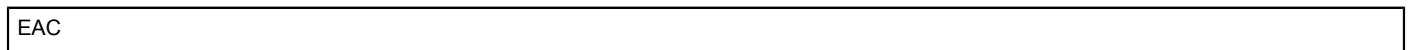
Approvals submitted

Approval details

| |
|-------------------|
| Functional Safety |
|-------------------|

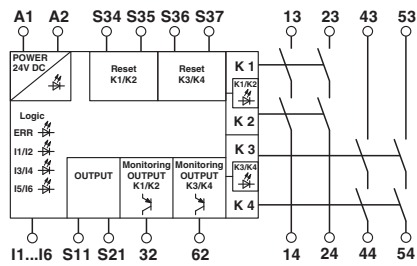
Safety relays - PSR-SCP-24DC/MXF4/4X1/2X2/B - 2903260

Approvals

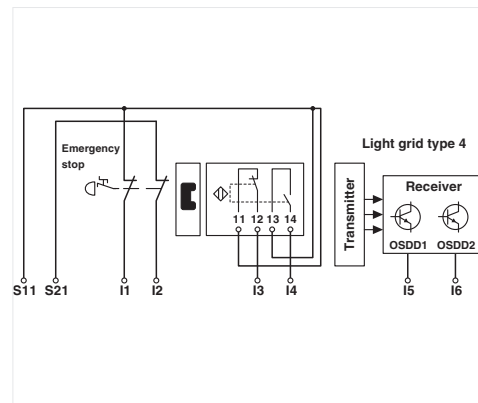


Drawings

Circuit diagram

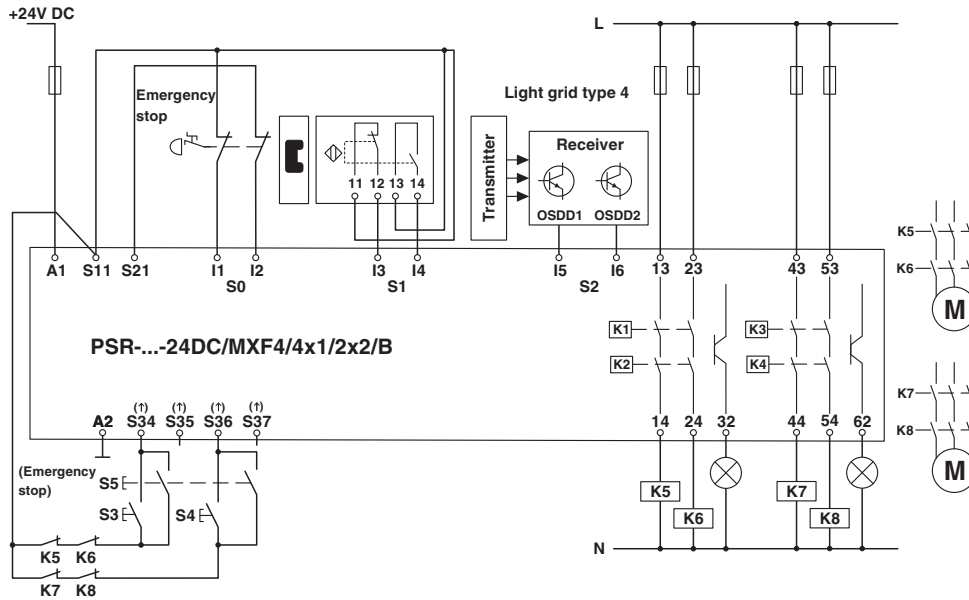


Circuit diagram

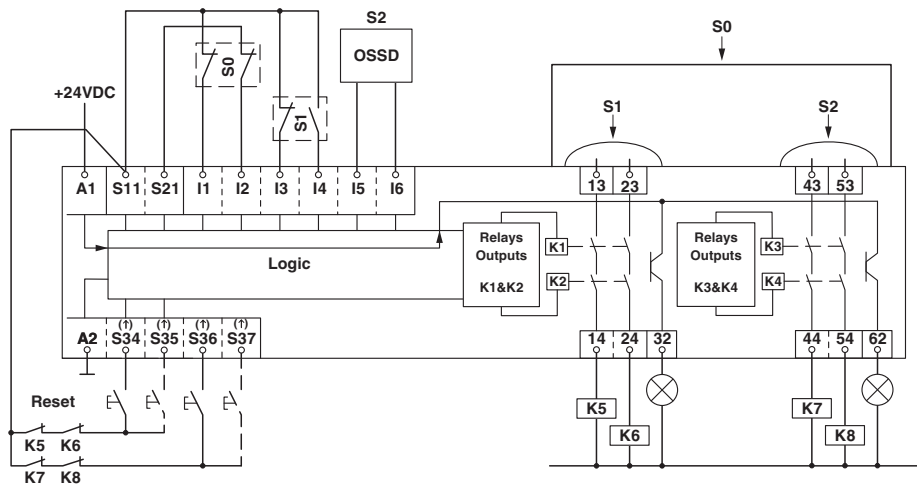


Safety relays - PSR-SCP-24DC/MXF4/4X1/2X2/B - 2903260

Application drawing



Circuit diagram





Компания «ЭлектроПласт» предлагает заключение долгосрочных отношений при поставках импортных электронных компонентов на взаимовыгодных условиях!

Наши преимущества:

- Оперативные поставки широкого спектра электронных компонентов отечественного и импортного производства напрямую от производителей и с крупнейших мировых складов;
- Поставка более 17-ти миллионов наименований электронных компонентов;
- Поставка сложных, дефицитных, либо снятых с производства позиций;
- Оперативные сроки поставки под заказ (от 5 рабочих дней);
- Экспресс доставка в любую точку России;
- Техническая поддержка проекта, помощь в подборе аналогов, поставка прототипов;
- Система менеджмента качества сертифицирована по Международному стандарту ISO 9001;
- Лицензия ФСБ на осуществление работ с использованием сведений, составляющих государственную тайну;
- Поставка специализированных компонентов (Xilinx, Altera, Analog Devices, Intersil, Interpoint, Microsemi, Aeroflex, Peregrine, Syfer, Eurofarad, Texas Instrument, Miteq, Cobham, E2V, MA-COM, Hittite, Mini-Circuits, General Dynamics и др.);

Помимо этого, одним из направлений компании «ЭлектроПласт» является направление «Источники питания». Мы предлагаем Вам помощь Конструкторского отдела:

- Подбор оптимального решения, техническое обоснование при выборе компонента;
- Подбор аналогов;
- Консультации по применению компонента;
- Поставка образцов и прототипов;
- Техническая поддержка проекта;
- Защита от снятия компонента с производства.



Как с нами связаться

Телефон: 8 (812) 309 58 32 (многоканальный)

Факс: 8 (812) 320-02-42

Электронная почта: org@eplast1.ru

Адрес: 198099, г. Санкт-Петербург, ул. Калинина, дом 2, корпус 4, литера А.