

LM5070 Integrated Power Over Ethernet PD Interface and PWM Controller

 Check for Samples: [LM5070](#)

FEATURES

- Fully Compliant 802.3af Power Interface Port
- 80V, 1Ω, 400 mA Internal MOSFET
- Programmable Inrush Current Limit
- Detection Resistor Disconnect Function
- Programmable Classification Current
- Programmable Under-voltage Lockout with Programmable Hysteresis
- Thermal Shutdown Protection
- Current Mode Pulse Width Modulator
- Supports Both Isolated and Non-Isolated Applications
- Error Amplifier and Reference for Non-Isolated Applications
- Programmable Oscillator Frequency
- Programmable Soft-Start
- 80% Maximum Duty Cycle Limiter, Slope Compensation (-80 device)
- 50% Maximum Duty Cycle Limiter, No Slope Compensation (-50 device)
- 800 mA Peak Gate Driver

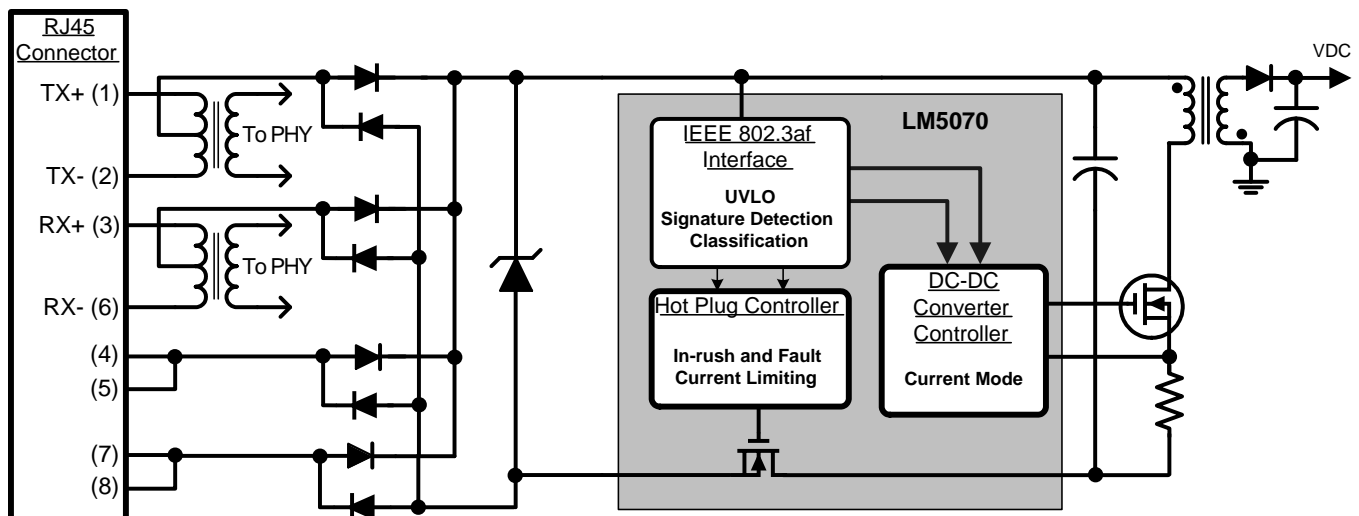
DESCRIPTION

The LM5070 power interface port and pulse width modulation (PWM) controller provides a complete integrated solution for Powered Devices (PD) that connect into Power over Ethernet (PoE) systems. The LM5070 integrates an 80V, 400mA line connection switch and associated control for a fully IEEE 802.3af compliant interface with a full featured current mode pulse width modulator dc-dc converter. All power sequencing requirements between the controller interface and switch mode power supply (SMPS) are integrated into the IC. Two options are available providing either an 80% maximum duty cycle limit with slope compensation (on the -80 suffix) device or a 50% maximum duty cycle limit and no slope compensation on the (-50 suffix) device.

PACKAGES

- TSSOP-16
- WSON-16 (5 mm x 5 mm)

Block Diagrams



Please be aware that an important notice concerning availability, standard warranty, and use in critical applications of Texas Instruments semiconductor products and disclaimers thereto appears at the end of this data sheet.

All trademarks are the property of their respective owners.

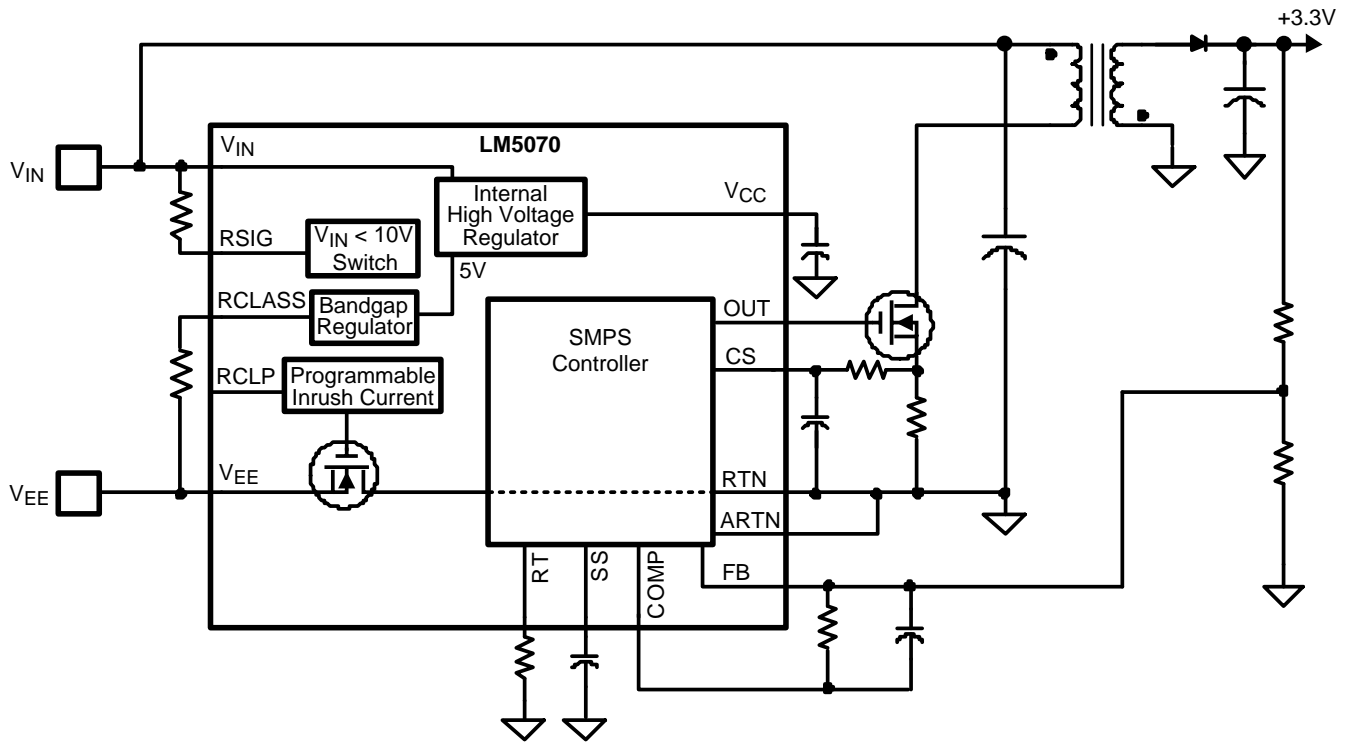


Figure 1. Simplified Block Diagram and Application

Connection Diagram

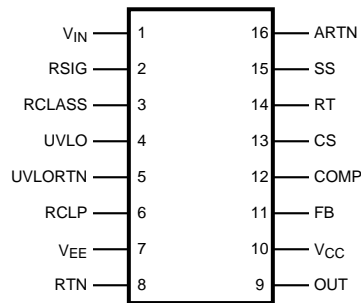


Figure 2. 16 Lead TSSOP/WSON
See Package Number PW or NHQ0016A

PIN DESCRIPTIONS

| Pin | Name | Description | Application Information |
|-----|-----------------|--|---|
| 1 | V _{IN} | System high potential input. | The diode "OR" of several lines entering the PD, it is the more positive input potential. |
| 2 | RSIG | Signature resistor pin. | Connect a 25kΩ signature resistor from V _{IN} to this pin for signature detection. |
| 3 | RCLASS | Classification resistor pin. | Connect the classification programming resistor from this pin to V _{EE} . |
| 4 | UVLO | Line under-voltage lockout. | An external resistor divider from V _{IN} to UVLORTN programs the shutdown levels with a 2.00V threshold at the UVLO pin. Hysteresis is set by a switched internal 10uA current source that forces additional current into the resistor divider. |
| 5 | UVLORTN | Return for the external UVLO resistors. | Connect the bottom resistor of the resistor divider between the UVLO pin and this pin. |
| 6 | RCLP | Current limit programming pin. | Programs the inrush current limit for the device. If left open, the inrush current limit will default to 400mA max. |
| 7 | V _{EE} | System low potential input. | Diode "OR'd" to the RJ45 connector and PSE's -48V supply, it is the more negative input potential. |
| 8 | RTN | System return for the PWM converter. | The drain of the internal current limiting power MOSFET which connects V _{EE} to the return path of the dc-dc converter. |
| 9 | OUT | Output of the PWM controller. | DC-DC converter gate driver output with 800mA peak sink current capability. |
| 10 | V _{CC} | Output of the internal high voltage series pass regulator. Regulated output voltage is nominally 7.8V. | When the auxiliary transformer winding (if used) raises the voltage on this pin above the regulation set point, the internal series pass regulator will shutdown, reducing the controller power dissipation. |
| 11 | FB | Feedback signal. | Inverting input of the internal error amplifier. The non-inverting input is internally connected to a 1.25V reference. |
| 12 | COMP | The output of the error amplifier and input to the Pulse Width Modulator. | COMP pull-up is provided by an internal 5K resistor which may be used to bias an opto-coupler transistor. |
| 13 | CS | Current sense input. | Current sense input for current mode control and over-current protection. Current limiting is accomplished using a dedicated current sense comparator. If the CS pin voltage exceeds 0.5V the OUT pin switches low for cycle-by-cycle current limiting. CS is held low for 50ns after OUT switches high to blank leading edge current spikes. |
| 14 | RT / SYNC | Oscillator timing resistor pin and synchronization input. | An external resistor connected from RT to ARTN sets the oscillator frequency. This pin will also accept narrow ac-coupled synchronization pulses from an external clock. |
| 15 | SS | Soft-start input. | An external capacitor and an internal 10uA current source set the soft-start ramp rate. |
| 16 | ARTN | Analog PWM supply return. | RTN for sensitive analog circuitry including the SMPS current limit amplifier. |
| — | EP | Exposed PAD, underside of the WSON package option. | Internally bonded to the die substrate. Connect to V _{EE} potential for low thermal impedance. |



These devices have limited built-in ESD protection. The leads should be shorted together or the device placed in conductive foam during storage or handling to prevent electrostatic damage to the MOS gates.

Absolute Maximum Ratings⁽¹⁾⁽²⁾

| | | |
|---------------------------------|--------------------------|-----------------|
| V_{IN} , RTN to V_{EE} | | -0.3V to 80V |
| RSIG to V_{IN} | | -12V to 0V |
| UVLO to V_{EE} | | -0.3V to 57V |
| UVLORTN | | -0.3V to 13V |
| RCLASS, RCLP to V_{EE} | | -0.3V to 7V |
| ARTN to RTN | | -0.3V to 0.3V |
| V_{CC} , OUT to ARTN | | -0.3V to 16V |
| All other inputs to ARTN | | -0.3V to 7V |
| ESD Rating | Human Body Model | 2000V |
| Storage Temperature | | -65°C to +150°C |
| Junction Temperature | | 150°C |
| Lead Temperature ⁽³⁾ | Wave (4 seconds) | 260°C |
| | Infrared (10 seconds) | 240°C |
| | Vapor Phase (75 seconds) | 219°C |

- (1) Absolute Maximum Ratings are limits beyond which damage to the device may occur. Operating Ratings are conditions under which operation of the device is intended to be functional. For specifications and test conditions, see the Electrical Characteristics. The absolute maximum rating of V_{IN} , RTN to V_{EE} is derated to (-0.3V to 76V) at -40°C.
- (2) If Military/Aerospace specified devices are required, please contact the Texas Instruments Sales Office/Distributors for availability and specifications.
- (3) For detailed information on soldering plastic TSSOP and WSON packages, see the Packaging Databook available from TI.

Operating Ratings

| | |
|--------------------------------------|-----------------|
| V_{IN} voltage | 1.8V to 75V |
| External voltage applied to V_{CC} | 8.1V to 15V |
| Operating Junction Temperature | -40°C to +125°C |

Electrical Characteristics⁽¹⁾

Specifications in standard type face are for $T_J = +25^\circ\text{C}$ and those in **boldface type** apply over the full operating junction temperature range. Unless otherwise specified: $V_{IN} = 48\text{V}$, $V_{CC} = 10\text{V}$, RT = 30.3k Ω .

| Symbol | Parameter | Conditions | Min | Typ | Max | Units |
|--------------------------|---|---|-------------|------|-------------|---------------|
| Powered Interface | | | | | | |
| IOS | Offset Current | $V_{IN} < 10.0\text{V}$ | | | 10 | μA |
| VCLSS(ON) | Signature Resistor Disable / Classification Current Turn On | V_{IN} with respect to V_{EE} | 10.0 | 11.5 | 12.5 | V |
| VCLSS(OFF) | Classification Current Turn Off | V_{IN} with respect to V_{EE} | 20.5 | 22.0 | 23.0 | V |
| | Classification Voltage | With respect to V_{EE} | 1.43 | 1.5 | 1.57 | V |
| ICLASS | Supply Current During Classification | $V_{IN} = 17\text{V}$ | | 0.5 | 1.0 | mA |
| IDC | Supply Current During Normal Operation | OUT floating | | 1 | 1.9 | mA |
| | UVLO Pin Reference Voltage | $V_{IN} > 12\text{V}$ | 1.95 | 2.00 | 2.05 | V |
| | UVLO Hysteresis Current | $V_{IN} > \text{UVLO}$ | 8.0 | 10 | 11.5 | μA |
| | Softstart Release | RTN falling with respect to V_{EE} | 1.2 | 1.45 | 1.7 | V |
| | Softstart Release Hysteresis | RTN rising with respect to V_{EE} | 0.8 | 1.1 | 1.3 | V |
| RDS(ON) | PowerFET Resistance | $I = 350\text{mA}$, $V_{IN} = 48\text{V}$ | | 1 | 2.2 | Ω |
| ILEAK | SMPS Bias Current | $V_{EE} = 0\text{V}$, $V_{IN} = \text{RTN} = 57\text{V}$ | | | 100 | μA |
| ILIM | Default Current Limit | $V_{EE} = 0\text{V}$, RTN = 3.0V, Temp = 0°C to 85°C | 350 | 390 | 420 | mA |

- (1) Min and Max limits are 100% production tested at 25 °C. Limits over the operating temperature range are specified through correlation using Statistical Quality Control (SQC) methods. Limits are used to calculate Average Outgoing Quality Level (AOQL).

Electrical Characteristics⁽¹⁾ (continued)

Specifications in standard type face are for $T_J = +25^\circ\text{C}$ and those in **boldface type** apply over the full operating junction temperature range. Unless otherwise specified: $V_{IN} = 48\text{V}$, $V_{CC} = 10\text{V}$, $RT = 30.3\text{k}\Omega$.

| Symbol | Parameter | Conditions | Min | Typ | Max | Units |
|-----------------------------------|--|---|-----------------------|----------------|-----------------------|---------------|
| ILIM | Default Current Limit | $V_{EE} = 0\text{V}$, $RTN = 3.0\text{V}$, Temp = -40°C to 125°C | 325 | 390 | 420 | mA |
| | Current Limit Programming Accuracy | $V_{EE} = 0\text{V}$, $RTN = 3.0\text{V}$, $RCLP = 80.6\text{k}\Omega$ | -20 | | +20 | % |
| Startup Regulator | | | | | | |
| VccReg | V_{CC} Regulation | Open ckt | 7.5 | 7.8 | 8.1 | V |
| | V_{CC} Current Limit | See ⁽²⁾ | 15 | 20 | | mA |
| V_{CC} Supply | | | | | | |
| | V_{CC} UVLO (Rising) | | VccReg – 300mV | VccReg – 100mV | | |
| | V_{CC} UVLO (Falling) | | 5.9 | 6.25 | 6.6 | V |
| | Supply Current (Icc) | Cload = 0 | | 1.5 | 3 | mA |
| Error Amplifier | | | | | | |
| GBW | Gain Bandwidth | | | 4 | | MHz |
| | DC Gain | | | 75 | | dB |
| | Input Voltage | FB = COMP | 1.219 1.212 | | 1.281 1.288 | V |
| | COMP Sink Capability | FB=1.5V COMP=1V | 5 | 20 | | mA |
| Current Limit | | | | | | |
| | ILIM Delay to Output | CS step from 0 to 0.6V, time to onset of OUT transition (90%) | | 20 | | ns |
| | Cycle by Cycle Current Limit Threshold Voltage | | 0.44 | 0.5 | 0.56 | V |
| | Leading Edge Blanking Time | | | 55 | | ns |
| | CS Sink Impedance (clocked) | | | 25 | 55 | Ω |
| Softstart | | | | | | |
| | Softstart Current Source | | 7 | 10 | 13 | μA |
| Oscillator⁽³⁾ | | | | | | |
| | Frequency1 (RT = 30.3K) | | 175 | 200 | 225 | KHz |
| | Frequency2 (RT = 10.5K) | | 505 | 580 | 665 | KHz |
| | Sync threshold | | | 3.1 | 3.8 | V |
| PWM Comparator | | | | | | |
| | Delay to Output | COMP set to 2V CS stepped 0 to 0.4V, time to onset of OUT transition low | | 25 | | ns |
| | Min Duty Cycle | COMP=0V | | | 0 | % |
| | Max Duty Cycle (-80 Device) | | | 80 | | % |
| | Max Duty Cycle (-50 Device) | | | 50 | | % |
| | COMP to PWM Comparator Gain | | | 0.33 | | |
| | COMP Open Circuit Voltage | | 4.5 | 5.4 | 6.3 | V |
| | COMP Short Circuit Current | COMP= 0V | 0.6 | 1.1 | 1.5 | mA |
| Slope Compensation | | | | | | |
| | Slope Comp Amplitude (LM5070-80 Device Only) | Delta increase at PWM Comparator to CS | | 105 | | mV |

(2) Device thermal limitations may limit usable range.

(3) Specification applies to the oscillator frequency. The operational frequency of the LM5070-50 devices is divided by two.

Electrical Characteristics⁽¹⁾ (continued)

Specifications in standard type face are for $T_J = +25^\circ\text{C}$ and those in **boldface type** apply over the full operating junction temperature range. Unless otherwise specified: $V_{IN} = 48\text{V}$, $V_{CC} = 10\text{V}$, $R_T = 30.3\text{k}\Omega$.

| Symbol | Parameter | Conditions | Min | Typ | Max | Units |
|-----------------------------|------------------------|---|-----|------|-------------|--------------------|
| Output Section | | | | | | |
| | Output High Saturation | $I_{out} = 50\text{mA}$, $V_{CC} - V_{OUT}$ | | 0.25 | 0.75 | V |
| | Output Low Saturation | $I_{out} = 100\text{mA}$ | | 0.25 | 0.75 | V |
| | Rise time | $C_{load} = 1\text{nF}$ | | 15 | | ns |
| | Fall time | $C_{load} = 1\text{nF}$ | | 15 | | ns |
| Thermal Shutdown | | | | | | |
| Tsd | Thermal Shutdown Temp. | | | 165 | | $^\circ\text{C}$ |
| Thermal Shutdown Hysteresis | | | | 25 | | $^\circ\text{C}$ |
| Thermal Resistance | | | | | | |
| θ_{JA} | Junction to Ambient | PW Package | | 125 | | $^\circ\text{C/W}$ |
| | | NHQ0016A Package | | 32 | | $^\circ\text{C/W}$ |

Typical Performance Characteristics

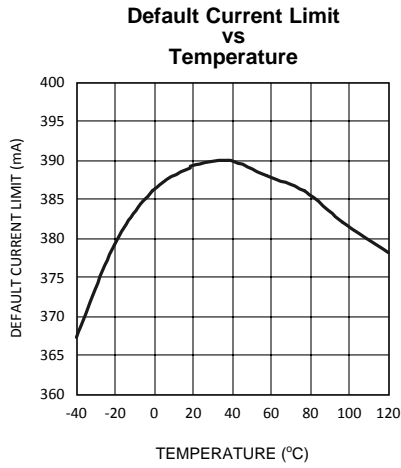


Figure 3.

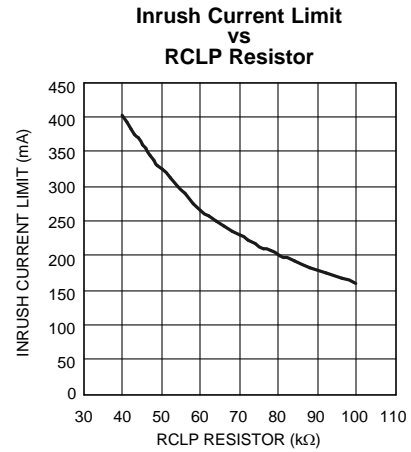


Figure 4.

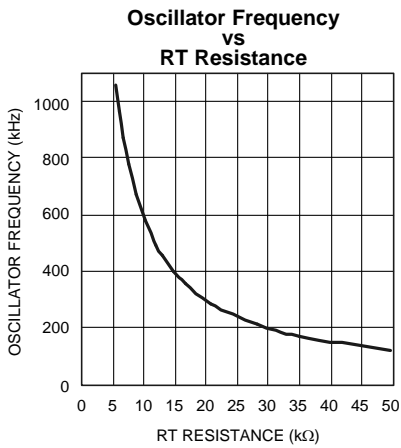


Figure 5.

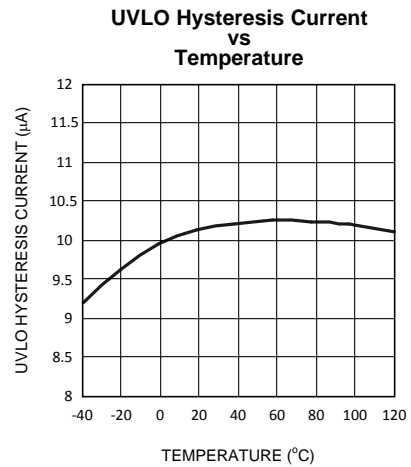


Figure 6.

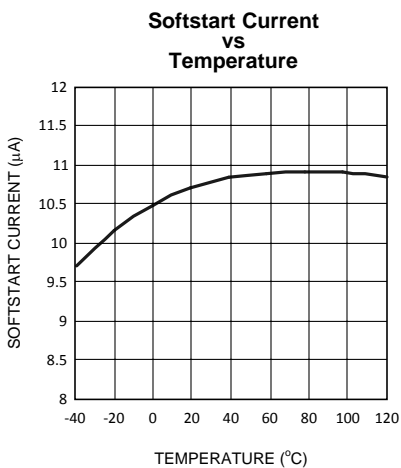


Figure 7.

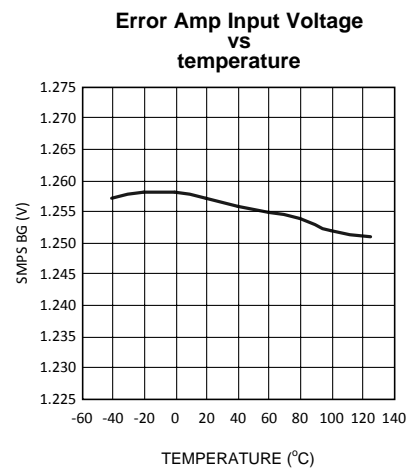


Figure 8.

Typical Performance Characteristics (continued)
Oscillator Frequency vs Temperature
 RT = 15.2 kΩ

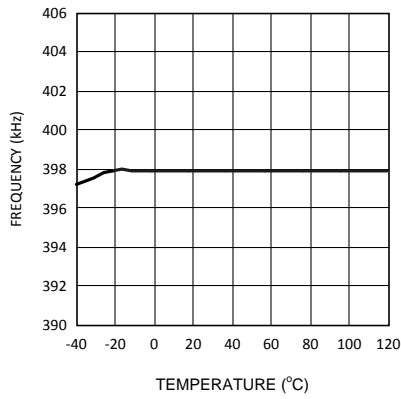


Figure 9.

V_{CC} vs I_{CC}

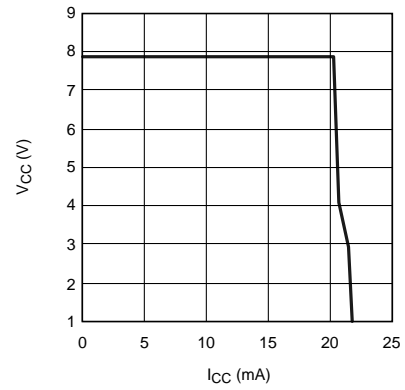


Figure 10.

Input Current vs Input Voltage

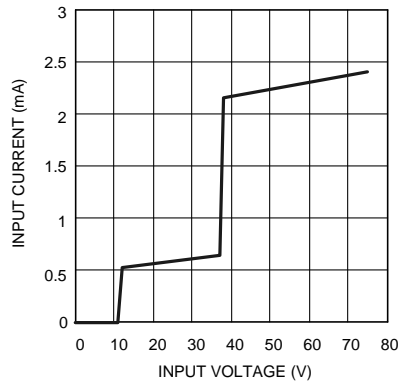


Figure 11.

UVLO V_{TH} vs Temperature

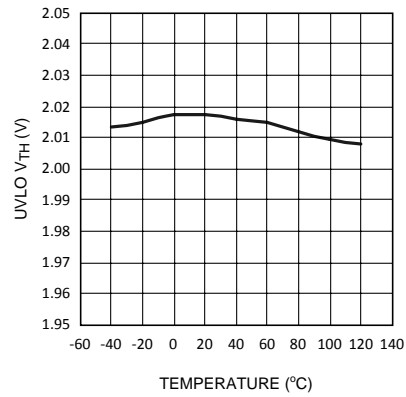


Figure 12.

BLOCK DIAGRAMS

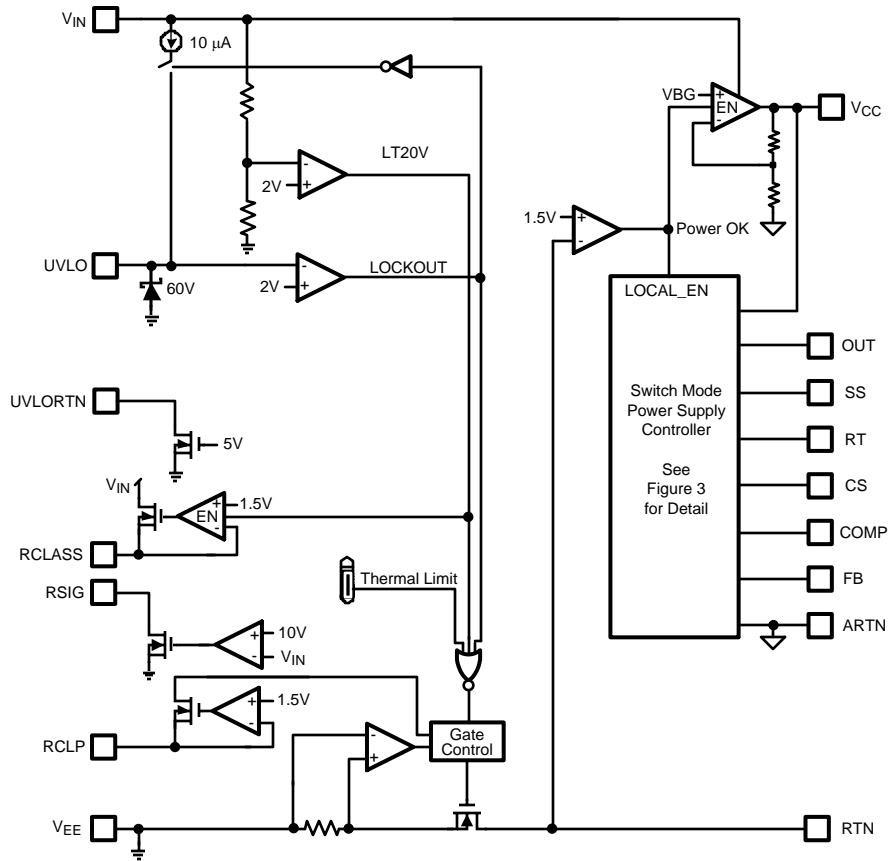


Figure 13. Top Level Block Diagram

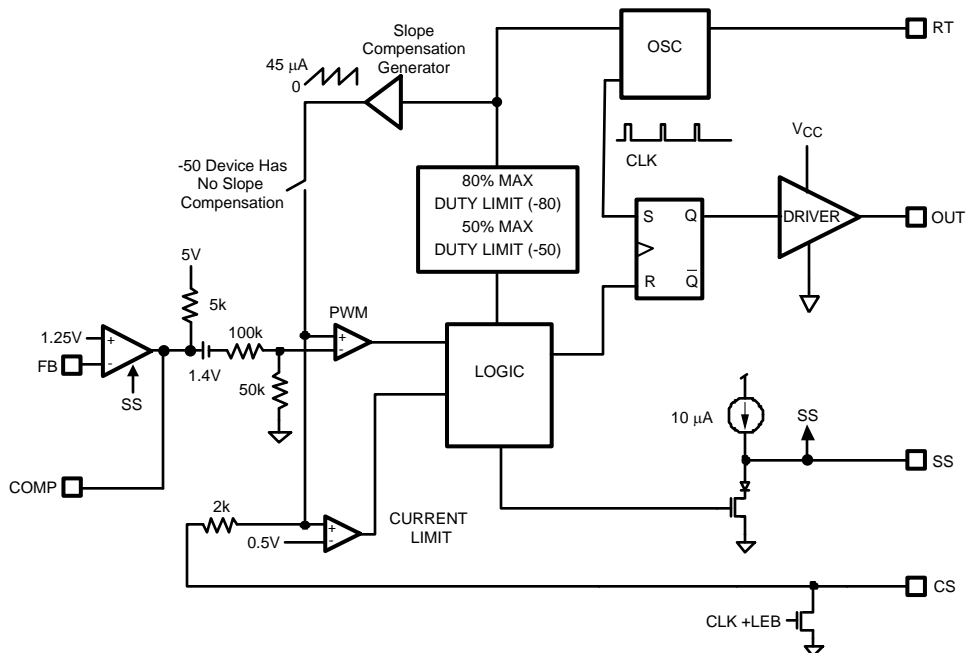


Figure 14. PWM Controller Block Diagram

Detailed Operating Description

The LM5070 power interface port and pulse width modulation (PWM) controller provides a complete integrated solution for Powered Devices (PD) that connect into Power over Ethernet (PoE) systems. Major features of the PD interface portion of the IC include detection, classification, programmable inrush current limit, thermal limit, programmable undervoltage lockout, and current limit monitoring. The device also includes a high-voltage start-up bias regulator that operates over a wide input range up to 75V. The switch mode power supply (SMPS) control portion of the IC includes power good sensing, V_{CC} regulator under-voltage lockout, cycle-by-cycle current limit, error amplifier, slope compensation, softstart, and oscillator sync capability. This high speed BiCMOS IC has total propagation delays less than 100ns and a 1MHz capable oscillator programmed by a single external resistor. The LM5070 PWM controller provides current-mode control for dc-dc converter topologies requiring a single drive output, such as Flyback and Forward topologies. The LM5070 PWM enables all of the advantages of current-mode control including line feed-forward, cycle-by-cycle current limit and simplified loop compensation. The oscillator ramp is internally buffered and added to the PWM comparator input ramp to provide slope compensation necessary for current mode control at duty cycles greater than 50% (-80 suffix only).

Modes of Operation

The LM5070 PD interface is designed to provide a fully compliant IEEE 802.3af system. As such, the modes of operation take into account the barrel rectifiers often utilized to correctly polarize the dc input from the Ethernet cable. [Table 1](#) shows the LM5070 operating modes and associated input voltage range.

Table 1. Operating Modes With Respect to Input Voltage

| Input Voltage V_{IN} wrt V_{EE} | Mode of Operation |
|-------------------------------------|--------------------------|
| 1.8V to 10.0V | Detection (Signature) |
| 12.5V to 20.5V | Classification |
| 23.0V to UVLO Rising V_{th} | Awaiting Full Power |
| 75V to UVLO Falling V_{th} | Normal Powered Operation |

An external signature resistor is connected to V_{EE} when V_{IN} exceeds 1.8V, initiating detection mode. During detection mode, quiescent current drawn by the LM5070 is less than 10uA. Between 10.0V and 12.5V, the device enters classification mode and the signature resistor is disabled. The nominal range for classification mode is 11.5V to 21.5V. The classification current is turned off once the classification range voltage is exceeded, to reduce power dissipation. Between 21.5V and UVLO release, the device is in a standby state, awaiting the input voltage to reach the operational range to complete the power up sequence. Once the V_{IN} voltage increases above the upper UVLO threshold voltage, the internal power MOSFET is enabled to deliver a constant current to charge the input capacitor of the dc-dc converter. When the MOSFET V_{ds} voltage falls below 1.5V, the internal Power Good signal enables the SMPS controller. The LM5070 is specified to operate with an input voltage as high as 75V. The SMPS controller and internal MOSFET are disabled when V_{IN} falls to the lower UVLO threshold.

Detection Signature

To detect a potential powered device candidate, the PSE will apply a voltage from 2.8V to 10V across the input terminals of the PD. The voltage can be of either polarity so a diode barrel network is required on both lines to ensure this capability. The PSE will take two measurements, separated by at least 1V and 2ms of time. The voltage ramp between measurement points will not exceed 0.1V/us. The delta voltage / delta current calculation is then performed; if the detected impedance is above 23.75k Ω and below 26.25k Ω , the PSE will consider a PD to be present. If the impedance is less than 15k Ω or greater than 33k Ω a PD will be considered not present and will not receive power. Impedances between these values may or may not indicate the presence of a valid PD. The LM5070 will enable the signature resistor at a controller input voltage of 1.5V to take into account the diode voltage drops. The PSE will tolerate no more than 1.9V of offset voltage (caused by the external diodes) or more than 10uA of offset current (bias current). The input capacitance must be greater than 0.05uF and less than 0.12uF. To increase efficiency, the signature resistor is disabled by the LM5070 controller once the input voltage is above the detection range (> 11V).

Classification

To classify the PD, the PSE will present a voltage between 14.5V and 20.5V to the PD. The LM5070 enables classification mode at a nominal input voltage of 11.5V. An internal 1.5V linear regulator and an external resistor connected to the RCLASS pin provide classification programming current. [Table 2](#) shows the external classification resistor required for a particular class.

The classification current flows through the IC into the classification resistor. The suggested resistor values take into account the bias current flowing into the IC. A different desired RCLASS can be calculated by dividing 1.5V by the desired classification current.

Per the IEEE 802.3af specification, classification is optional, and the PSE will default to class 0 if a valid classification current is not detected. If PD classification is not desired (i.e., Class 0), simply leave the RCLASS pin open. The classification time period may not last longer than 75ms as per IEEE 802.3af. The LM5070 will remain in classification mode until V_{IN} is greater than 22V.

Table 2. Classification Levels and Required External Resistors

| Class | P _{MIN} | P _{MAX} | ICLASS (MIN) | ICLASS (MAX) | RCLASS |
|-------|------------------|------------------|-----------------|-----------------|--------|
| 0 | 0.44W | 12.95W | 0mA | 4mA | Open |
| 1 | 0.44W | 3.84W | 9mA | 12mA | 150Ω |
| 2 | 3.84W | 6.49W | 17mA | 20mA | 82.5Ω |
| 3 | 6.49W | 12.95W | 26mA | 30mA | 53.6Ω |
| 4 | Reserved | Reserved | 36mA | 44mA | 38.3Ω |

Undervoltage Lockout (UVLO)

The IEEE 802.3af specification states that the PSE will supply power to the PD within 400ms after completion of detection. The LM5070 contains a programmable line Under Voltage Lock Out (UVLO) circuit. The first resistor should be connected between the V_{IN} to UVLO pins; the bottom resistor in the divider should be connected between the UVLO and UVLORTN pins. The bottom resistor should not be tied to V_{EE} because any current from V_{IN} to V_{EE} will cause the system to violate the 10uA maximum offset current specification during detection mode.

The divider must be designed such that the voltage at the UVLO pin equals 2.0V when V_{IN} reaches the desired minimum operating level. If the UVLO threshold is not met, the interface control and SMPS control will remain in standby.

UVLO hysteresis is accomplished with an internal 10uA current source that is switched on and off into the impedance of the UVLO set point divider. When the UVLO threshold is exceeded, the current source is activated to instantly raise the voltage at the UVLO pin. When the UVLO pin voltage falls below the 2.00V threshold, the current source is turned off, causing the voltage at the UVLO pin to fall. The LM5070 UVLO thresholds cannot be programmed lower than 23V, otherwise the device would operate in classification mode with both the classification current source and the SMPS enabled. The combined power dissipation of these two functions could exceed the maximum power dissipation of the package.

There are many additional uses for the UVLO pin. The UVLO function can also be used to implement a remote enable / disable function. Pulling the UVLO pin down below the UVLO threshold disables the interface and SMPS controller.

Power Supply Operation / Current Limit Programming

Once the UVLO threshold has been satisfied, the interface controller of the LM5070 will charge up the SMPS input capacitor through the internal power MOSFET. This load capacitance provides input filtering for the power converter section and must be at least 5uF per the IEEE 802.3af specification. To accomplish the charging in a controlled manner, the power MOSFET is current limited to 375mA. The IEEE 802.3af specification requires that the load capacitance be charged within 75ms.

Some legacy PSEs may not be able to supply the IEEE maximum power of 15W to the PD, and this can be a problem during startup. Low power PDs that are used in these legacy systems will require a lower startup current limit. The LM5070 can be programmed for a reduced inrush current limit level with a resistor at RCLP pin. The programmable inrush current limit range is 75mA to 390mA. If the RCLP pin is left open, the LM5070 will default to 390mA, near the maximum allowed per the IEEE 802.3 specification. To set a desired inrush current limit (limit), the RCLP resistor can be calculated from:

$$RCLP = \frac{16000\Omega \cdot A}{I_{\text{limit}} (A)} \quad (1)$$

The SMPS controller will not initiate operation until the load capacitor is completely charged. The power sequencing between the interface circuitry and the SMPS controller occurs automatically within the LM5070. Detection circuitry monitors the RTN pin to detect interface startup completion. When the RTN pin potential drops below 1.5V with respect to V_{EE} , the V_{CC} regulator of the SMPS controller is enabled. The soft-start function is enabled once the V_{CC} regulator achieves minimum operating voltage. The RCLP programmed inrush current limit only applies to the initial charging phase. The interface power MOSFET current limit will revert to the fixed default protection current limit of 390mA once the SMPS is powered up and the soft-start pin sequence begins.

High Voltage Start-Up Regulator

The LM5070 contains an internal high voltage startup regulator that allows the input pin (V_{IN}) to be connected directly to line voltages as high as 75V. The regulator output is internally current limited to 15mA. The recommended capacitance range for the V_{CC} regulator output is 0.1uF to 10uF. When the voltage on the V_{CC} pin reaches the regulation point of 7.8V, the controller output is enabled. The controller will remain enabled until V_{CC} falls below 6.25V.

In typical applications, a transformer auxiliary winding is diode connected to the V_{CC} pin. This winding should raise the V_{CC} voltage above 8.1V to shut off the internal startup regulator. Though not required, powering V_{CC} from an auxiliary winding improves conversion efficiency while reducing the power dissipated in the controller. The external V_{CC} capacitor must be selected such that the capacitor maintains the V_{CC} voltage greater than the V_{CC} UVLO falling threshold (6.25V) during the initial start-up. During a fault condition when the converter auxiliary winding is inactive, external current draw on the V_{CC} line should be limited such that the power dissipated in the start-up regulator does not exceed the maximum power dissipation capability of the LM5070 package.

Error Amplifier

An internal high gain error amplifier is provided within the LM5070. The amplifier's non-inverting reference is set to a fixed reference voltage of 1.25V. The inverting input is connected to the FB pin. In non-isolated applications, the power converter output is connected to the FB pin via voltage scaling resistors. Loop compensation components are connected between the COMP and FB pins. For most isolated applications the error amplifier function is implemented on the secondary side of the converter and the internal error amplifier is not used. The internal error amplifier is configured as an open drain output and can be disabled by connecting the FB pin to ARTN. An internal 5K pull-up resistor between a 5V reference and COMP can be used as the pull-up for an optocoupler in isolated applications.

Current Limit / Current Sense

The LM5070 provides a cycle-by-cycle over current protection function. Current limit is accomplished by an internal current sense comparator. If the voltage at the current sense comparator input CS exceeds 0.5V with respect to RTN/ARTN, the output pulse will be immediately terminated. A small RC filter, located near the CS pin of the controller, is recommended to filter noise from the current sense signal. The CS input has an internal MOSFET which discharges the CS pin capacitance at the conclusion of every cycle. The discharge device remains on an additional 50ns after the beginning of the new cycle to attenuate the leading edge spike on the current sense signal.

The LM5070 current sense and PWM comparators are very fast, and may respond to short duration noise pulses. Layout considerations are critical for the current sense filter and sense resistor. The capacitor associated with the CS filter must be located very close to the device and connected directly to the pins of the controller (CS and ARTN). If a current sense transformer is used, both leads of the transformer secondary should be routed to the sense resistor and the current sense filter network. A sense resistor located in the source of the primary power MOSFET may be used for current sensing, but a low inductance resistor is required. When designing with a current sense resistor, all of the noise sensitive low power ground connections should be connected together local to the controller and a single connection should be made to the high current power return (sense resistor ground point).

Oscillator, Shutdown and Sync Capability

A single external resistor connected between the RT and ARTN pins sets the LM5070 oscillator frequency. Internal to the LM5070–50 device (50% duty cycle limited option) is an oscillator divide by two circuit. This divide by two circuit creates an exact 50% duty cycle clock which is used internally to create a precise 50% duty cycle limit function. Because of this divide by two, the internal oscillator actually operates at twice the frequency of the output (OUT). For the LM5070–80 device the oscillator frequency and the operational output frequency are the same. To set a desired output operational frequency (F), the RT resistor can be calculated from:

LM5070-80:

$$RT = \frac{1}{F \times 165 \times 10^{-12}} \quad (2)$$

LM5070-50:

$$RT = \frac{1}{F \times 330 \times 10^{-12}} \quad (3)$$

The LM5070 can also be synchronized to an external clock. The external clock must have a higher frequency than the free running oscillator frequency set by the RT resistor. The clock signal should be capacitively coupled into the RT pin with a 100pF capacitor. A peak voltage level greater than 3.7 volts at the RT pin is required for detection of the sync pulse. The sync pulse width should be set between 15 to 150ns by the external components. The RT resistor is always required, whether the oscillator is free running or externally synchronized. The voltage at the RT pin is internally regulated to a 2 volts. The RT resistor should be located very close to the device and connected directly to the pins of the controller (RT and ARTN).

PWM Comparator / Slope Compensation

The PWM comparator compares the current ramp signal with the loop error voltage derived from the error amplifier output. The error amplifier output voltage at the COMP pin is offset by 1.4V and then further attenuated by a 3:1 resistor divider. The PWM comparator polarity is such that 0 Volts on the COMP pin will result in zero duty cycle at the controller output. For duty cycles greater than 50 percent, current mode control circuits are subject to sub-harmonic oscillation. By adding an additional fixed slope voltage ramp signal (slope compensation) to the current sense signal, this oscillation can be avoided. The LM5070-80 integrates this slope compensation by summing a current ramp generated by the oscillator with the current sense signal. Additional slope compensation may be added by increasing the source impedance of the current sense signal (with an external resistor between the CS pin and current sense resistor). Since the LM5070-50 is not capable of duty cycles greater than 50%, there is no slope compensation feature in this device.

Softstart

The softstart feature allows the power converter to gradually reach the initial steady state operating point, thereby reducing start-up stresses, output overshoot and current surges. At power on, after the V_{CC} undervoltage lockout threshold is satisfied, an internal 10 μ A current source charges an external capacitor connected to the SS pin. The capacitor voltage will ramp up slowly and will limit the COMP pin voltage and the duty cycle of the output pulses.

Gate Driver and Maximum Duty Cycle Limit

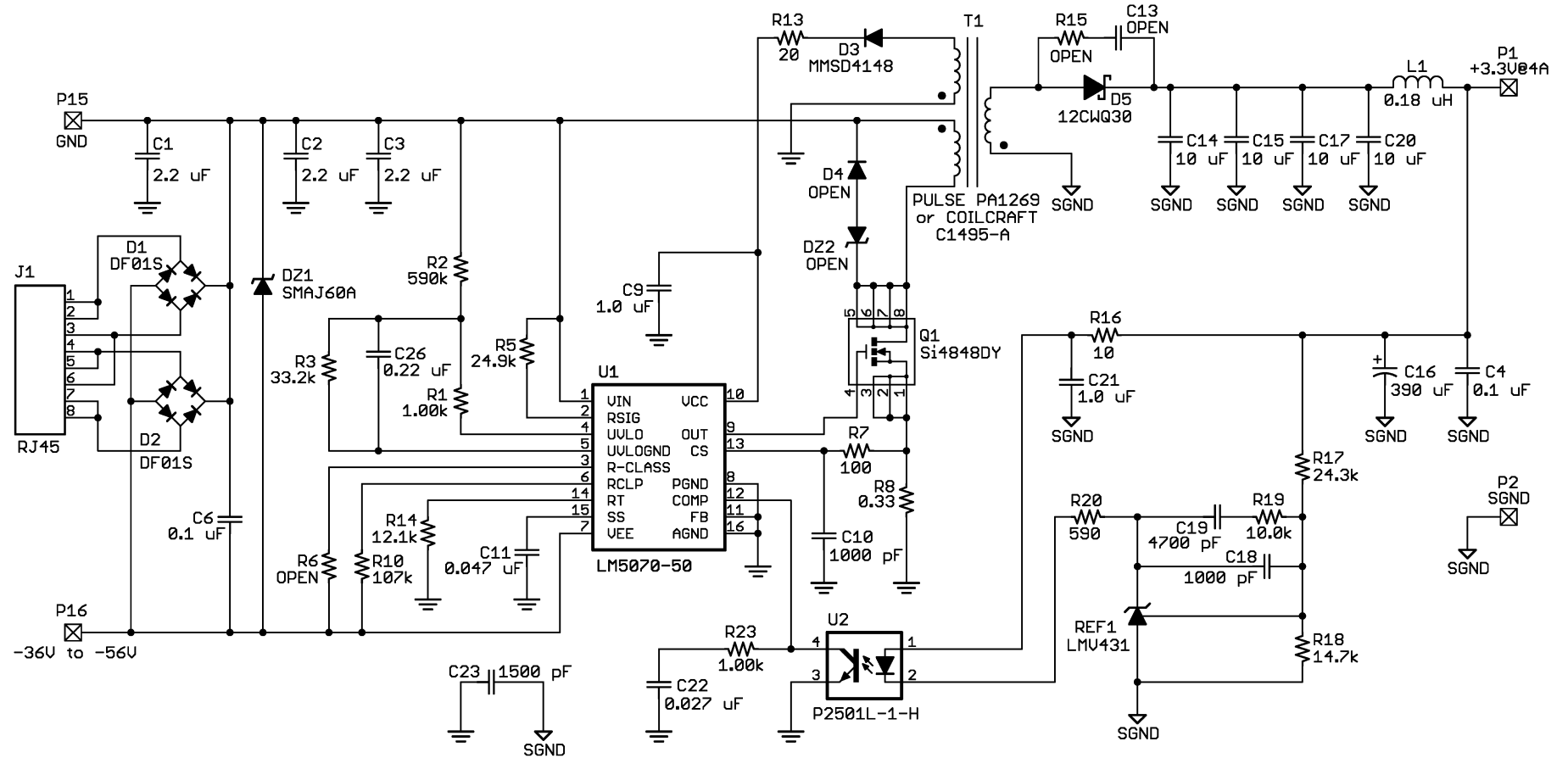
The LM5070 provides an internal gate driver (OUT), which can source and sink a peak current of 800mA. The LM5070 is available in two duty cycle limit options. The maximum output duty cycle is typically 80% for the LM5070-80 option and precisely equal to 50% for the LM5070-50 option. The maximum duty cycle function for the LM5070-50 is accomplished with an internal toggle flip-flop which ensures an accurate duty cycle limit. The internal oscillator frequency of the LM5070-50 is therefore twice the operating frequency of the PWM controller (OUT pin).

The 80% maximum duty cycle limit of the LM5070-80 is determined by the internal oscillator and varies more than the 50% limit of the LM5070-50. For the LM5070-80, the internal oscillator frequency and the operational frequency of the PWM controller are equal.

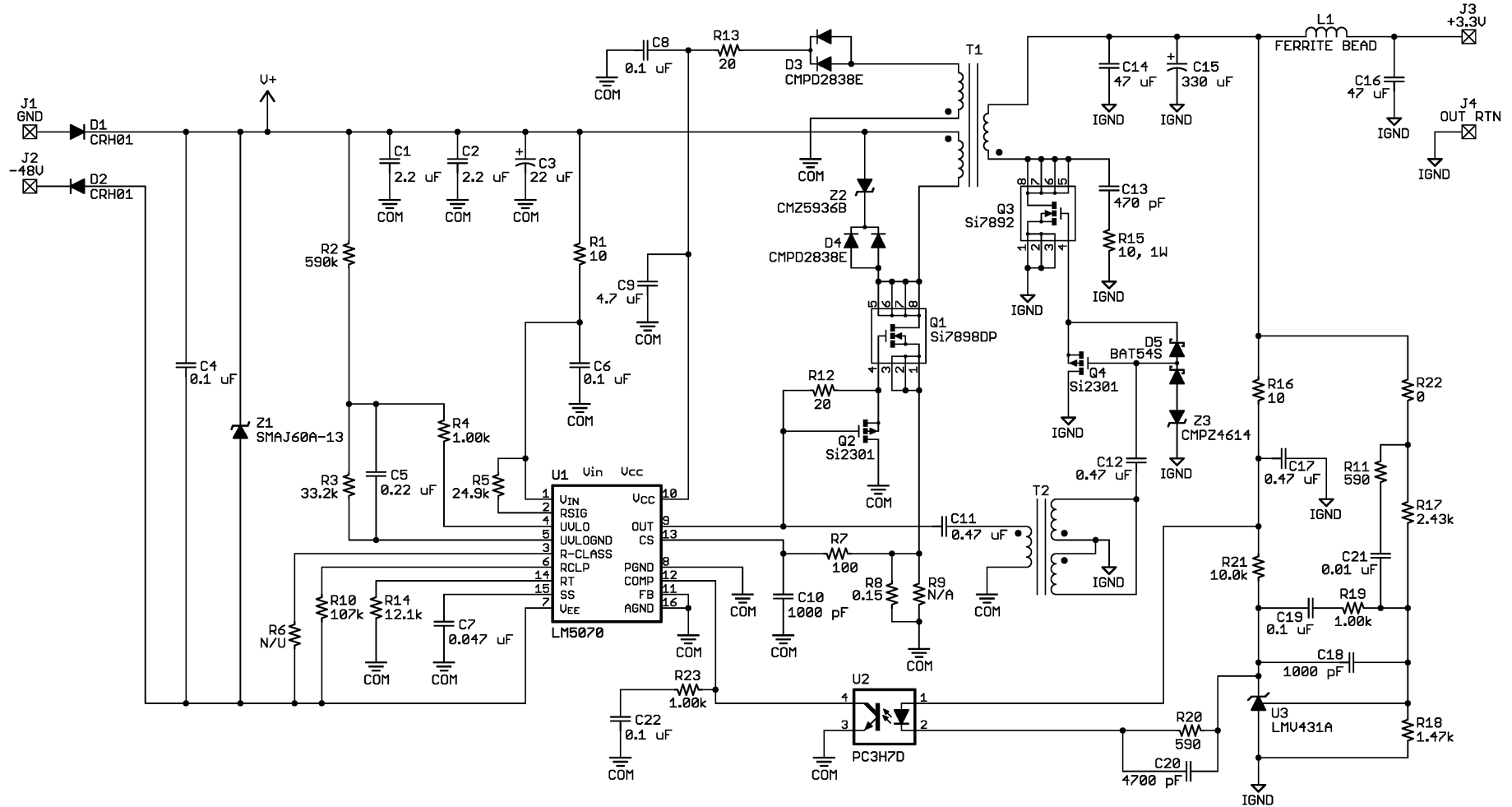
Thermal Protection

Internal thermal shutdown circuitry is provided to protect the integrated circuit in the event the maximum junction temperature is exceeded. This feature prevents catastrophic failures from accidental device overheating. When activated, typically at 165 degrees Celsius, the controller is forced into a low power standby state, disabling the output driver, bias regulator, main interface pass MOSFET, and classification regulator if enabled. After the temperature is reduced (typical hysteresis = 25°C) the V_{CC} regulator will be enabled and a softstart sequence initiated.

LM5070 Application Circuit – Isolated Output with Diode Rectification



LM5070 Application Circuit – Isolated Output with Synchronous Rectification



REVISION HISTORY

| Changes from Revision F (April 2013) to Revision G | Page |
|--|-----------------|
| <hr/> <ul style="list-style-type: none">• Changed layout of National Data Sheet to TI format | <hr/> 16 |

PACKAGING INFORMATION

| Orderable Device | Status (1) | Package Type | Package Drawing | Pins | Package Qty | Eco Plan (2) | Lead/Ball Finish | MSL Peak Temp (3) | Op Temp (°C) | Top-Side Markings (4) | Samples |
|--------------------|---------------|--------------|--------------------|------|----------------|----------------------------|------------------|----------------------|--------------|--------------------------|-------------------------|
| LM5070MTC-50 | ACTIVE | TSSOP | PW | 16 | 92 | TBD | Call TI | Call TI | -40 to 125 | 5070M TC-50 | Samples |
| LM5070MTC-50/NOPB | ACTIVE | TSSOP | PW | 16 | 92 | Green (RoHS & no Sb/Br) | CU SN | Level-1-260C-UNLIM | -40 to 125 | 5070M TC-50 | Samples |
| LM5070MTC-80 | ACTIVE | TSSOP | PW | 16 | 92 | TBD | Call TI | Call TI | -40 to 125 | 5070M TC-80 | Samples |
| LM5070MTC-80/NOPB | ACTIVE | TSSOP | PW | 16 | 92 | Green (RoHS & no Sb/Br) | CU SN | Level-1-260C-UNLIM | -40 to 125 | 5070M TC-80 | Samples |
| LM5070MTCX-50/NOPB | ACTIVE | TSSOP | PW | 16 | 2500 | Green (RoHS & no Sb/Br) | CU SN | Level-1-260C-UNLIM | -40 to 125 | 5070M TC-50 | Samples |
| LM5070MTCX-80/NOPB | ACTIVE | TSSOP | PW | 16 | 2500 | Green (RoHS & no Sb/Br) | CU SN | Level-1-260C-UNLIM | -40 to 125 | 5070M TC-80 | Samples |
| LM5070SD-50/NOPB | ACTIVE | WSON | NHQ | 16 | 1000 | Green (RoHS & no Sb/Br) | CU SN | Level-1-260C-UNLIM | -40 to 125 | L00051B | Samples |
| LM5070SD-80 | ACTIVE | WSON | NHQ | 16 | 1000 | TBD | Call TI | Call TI | -40 to 125 | L00052B | Samples |
| LM5070SD-80/NOPB | ACTIVE | WSON | NHQ | 16 | 1000 | Green (RoHS & no Sb/Br) | CU SN | Level-1-260C-UNLIM | -40 to 125 | L00052B | Samples |
| LM5070SDX-50 | ACTIVE | WSON | NHQ | 16 | 4500 | TBD | Call TI | Call TI | -40 to 125 | L00051B | Samples |
| LM5070SDX-50/NOPB | ACTIVE | WSON | NHQ | 16 | 4500 | Green (RoHS & no Sb/Br) | CU SN | Level-1-260C-UNLIM | -40 to 125 | L00051B | Samples |
| LM5070SDX-80 | ACTIVE | WSON | NHQ | 16 | 4500 | TBD | Call TI | Call TI | -40 to 125 | L00052B | Samples |
| LM5070SDX-80/NOPB | ACTIVE | WSON | NHQ | 16 | 4500 | Green (RoHS & no Sb/Br) | CU SN | Level-1-260C-UNLIM | -40 to 125 | L00052B | Samples |

(1) The marketing status values are defined as follows:

ACTIVE: Product device recommended for new designs.

LIFEBUY: TI has announced that the device will be discontinued, and a lifetime-buy period is in effect.

NRND: Not recommended for new designs. Device is in production to support existing customers, but TI does not recommend using this part in a new design.

PREVIEW: Device has been announced but is not in production. Samples may or may not be available.

OBSELETE: TI has discontinued the production of the device.

(2) Eco Plan - The planned eco-friendly classification: Pb-Free (RoHS), Pb-Free (RoHS Exempt), or Green (RoHS & no Sb/Br) - please check <http://www.ti.com/productcontent> for the latest availability information and additional product content details.

TBD: The Pb-Free/Green conversion plan has not been defined.

Pb-Free (RoHS): TI's terms "Lead-Free" or "Pb-Free" mean semiconductor products that are compatible with the current RoHS requirements for all 6 substances, including the requirement that lead not exceed 0.1% by weight in homogeneous materials. Where designed to be soldered at high temperatures, TI Pb-Free products are suitable for use in specified lead-free processes.

Pb-Free (RoHS Exempt): This component has a RoHS exemption for either 1) lead-based flip-chip solder bumps used between the die and package, or 2) lead-based die adhesive used between the die and leadframe. The component is otherwise considered Pb-Free (RoHS compatible) as defined above.

Green (RoHS & no Sb/Br): TI defines "Green" to mean Pb-Free (RoHS compatible), and free of Bromine (Br) and Antimony (Sb) based flame retardants (Br or Sb do not exceed 0.1% by weight in homogeneous material)

⁽³⁾ MSL, Peak Temp. -- The Moisture Sensitivity Level rating according to the JEDEC industry standard classifications, and peak solder temperature.

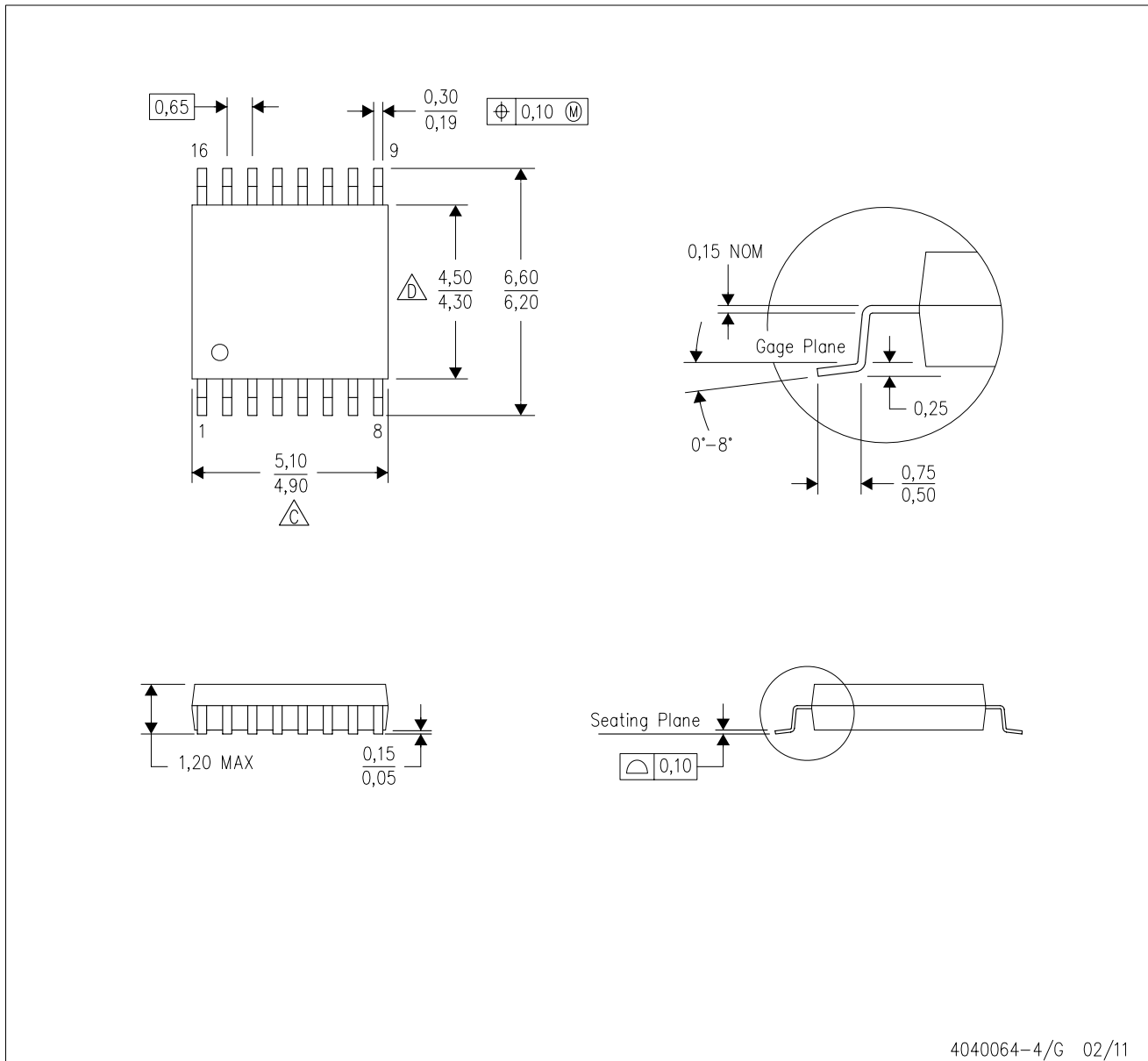
⁽⁴⁾ Multiple Top-Side Markings will be inside parentheses. Only one Top-Side Marking contained in parentheses and separated by a "~" will appear on a device. If a line is indented then it is a continuation of the previous line and the two combined represent the entire Top-Side Marking for that device.

Important Information and Disclaimer:The information provided on this page represents TI's knowledge and belief as of the date that it is provided. TI bases its knowledge and belief on information provided by third parties, and makes no representation or warranty as to the accuracy of such information. Efforts are underway to better integrate information from third parties. TI has taken and continues to take reasonable steps to provide representative and accurate information but may not have conducted destructive testing or chemical analysis on incoming materials and chemicals. TI and TI suppliers consider certain information to be proprietary, and thus CAS numbers and other limited information may not be available for release.



In no event shall TI's liability arising out of such information exceed the total purchase price of the TI part(s) at issue in this document sold by TI to Customer on an annual basis.

PW (R-PDSO-G16)

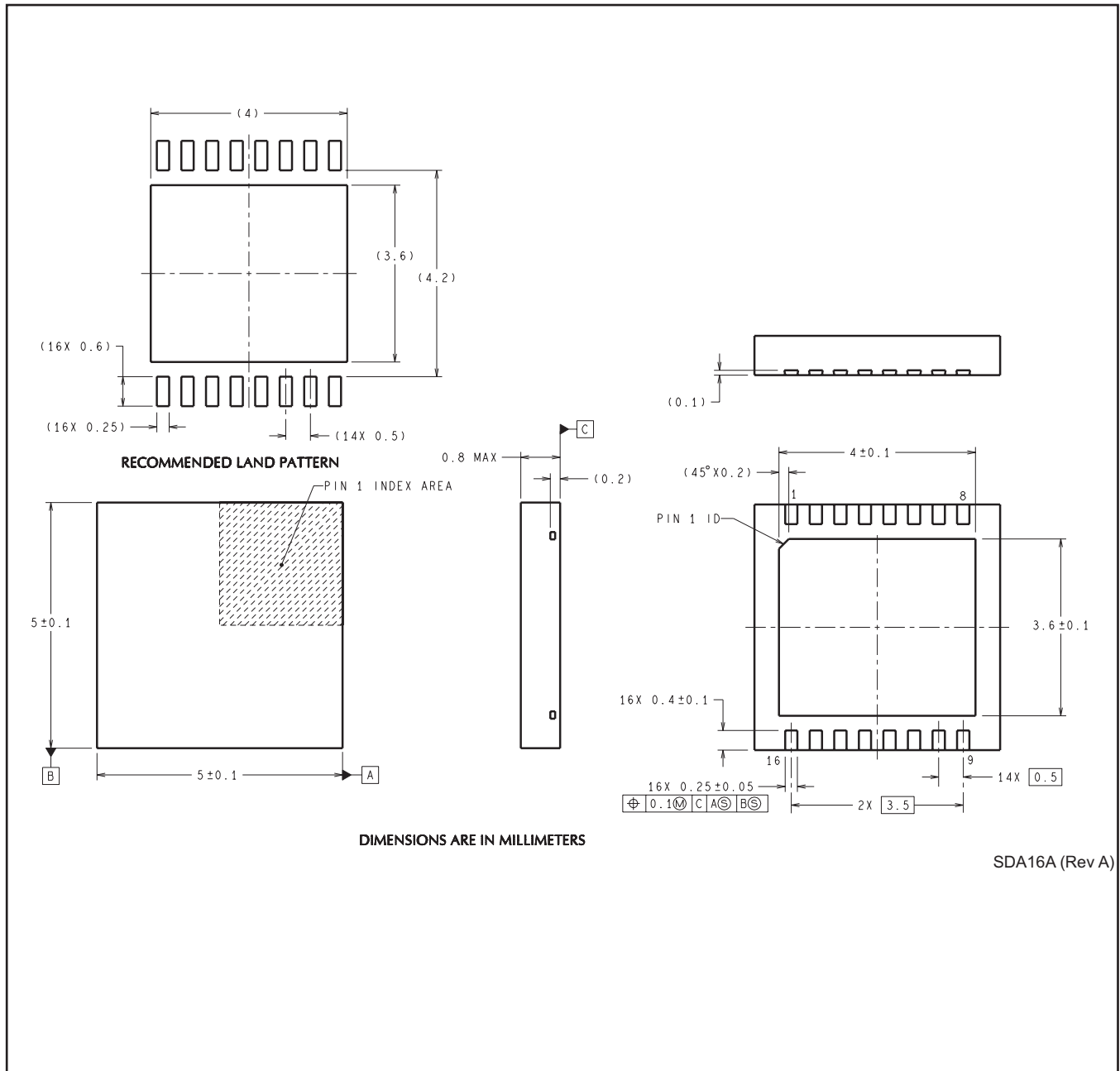
PLASTIC SMALL OUTLINE



4040064-4/G 02/11

- NOTES:
- A. All linear dimensions are in millimeters. Dimensioning and tolerancing per ASME Y14.5M-1994.
 - B. This drawing is subject to change without notice.
 -  Body length does not include mold flash, protrusions, or gate burrs. Mold flash, protrusions, or gate burrs shall not exceed 0,15 each side.
 -  Body width does not include interlead flash. Interlead flash shall not exceed 0,25 each side.
 - E. Falls within JEDEC MO-153

NHQ0016A



IMPORTANT NOTICE

Texas Instruments Incorporated and its subsidiaries (TI) reserve the right to make corrections, enhancements, improvements and other changes to its semiconductor products and services per JESD46, latest issue, and to discontinue any product or service per JESD48, latest issue. Buyers should obtain the latest relevant information before placing orders and should verify that such information is current and complete. All semiconductor products (also referred to herein as "components") are sold subject to TI's terms and conditions of sale supplied at the time of order acknowledgment.

TI warrants performance of its components to the specifications applicable at the time of sale, in accordance with the warranty in TI's terms and conditions of sale of semiconductor products. Testing and other quality control techniques are used to the extent TI deems necessary to support this warranty. Except where mandated by applicable law, testing of all parameters of each component is not necessarily performed.

TI assumes no liability for applications assistance or the design of Buyers' products. Buyers are responsible for their products and applications using TI components. To minimize the risks associated with Buyers' products and applications, Buyers should provide adequate design and operating safeguards.

TI does not warrant or represent that any license, either express or implied, is granted under any patent right, copyright, mask work right, or other intellectual property right relating to any combination, machine, or process in which TI components or services are used. Information published by TI regarding third-party products or services does not constitute a license to use such products or services or a warranty or endorsement thereof. Use of such information may require a license from a third party under the patents or other intellectual property of the third party, or a license from TI under the patents or other intellectual property of TI.

Reproduction of significant portions of TI information in TI data books or data sheets is permissible only if reproduction is without alteration and is accompanied by all associated warranties, conditions, limitations, and notices. TI is not responsible or liable for such altered documentation. Information of third parties may be subject to additional restrictions.

Resale of TI components or services with statements different from or beyond the parameters stated by TI for that component or service voids all express and any implied warranties for the associated TI component or service and is an unfair and deceptive business practice. TI is not responsible or liable for any such statements.

Buyer acknowledges and agrees that it is solely responsible for compliance with all legal, regulatory and safety-related requirements concerning its products, and any use of TI components in its applications, notwithstanding any applications-related information or support that may be provided by TI. Buyer represents and agrees that it has all the necessary expertise to create and implement safeguards which anticipate dangerous consequences of failures, monitor failures and their consequences, lessen the likelihood of failures that might cause harm and take appropriate remedial actions. Buyer will fully indemnify TI and its representatives against any damages arising out of the use of any TI components in safety-critical applications.

In some cases, TI components may be promoted specifically to facilitate safety-related applications. With such components, TI's goal is to help enable customers to design and create their own end-product solutions that meet applicable functional safety standards and requirements. Nonetheless, such components are subject to these terms.

No TI components are authorized for use in FDA Class III (or similar life-critical medical equipment) unless authorized officers of the parties have executed a special agreement specifically governing such use.

Only those TI components which TI has specifically designated as military grade or "enhanced plastic" are designed and intended for use in military/aerospace applications or environments. Buyer acknowledges and agrees that any military or aerospace use of TI components which have **not** been so designated is solely at the Buyer's risk, and that Buyer is solely responsible for compliance with all legal and regulatory requirements in connection with such use.

TI has specifically designated certain components as meeting ISO/TS16949 requirements, mainly for automotive use. In any case of use of non-designated products, TI will not be responsible for any failure to meet ISO/TS16949.

Products

| | |
|------------------------------|--|
| Audio | www.ti.com/audio |
| Amplifiers | amplifier.ti.com |
| Data Converters | dataconverter.ti.com |
| DLP® Products | www.dlp.com |
| DSP | dsp.ti.com |
| Clocks and Timers | www.ti.com/clocks |
| Interface | interface.ti.com |
| Logic | logic.ti.com |
| Power Mgmt | power.ti.com |
| Microcontrollers | microcontroller.ti.com |
| RFID | www.ti-rfid.com |
| OMAP Applications Processors | www.ti.com/omap |
| Wireless Connectivity | www.ti.com/wirelessconnectivity |

Applications

| | |
|-------------------------------|--|
| Automotive and Transportation | www.ti.com/automotive |
| Communications and Telecom | www.ti.com/communications |
| Computers and Peripherals | www.ti.com/computers |
| Consumer Electronics | www.ti.com/consumer-apps |
| Energy and Lighting | www.ti.com/energy |
| Industrial | www.ti.com/industrial |
| Medical | www.ti.com/medical |
| Security | www.ti.com/security |
| Space, Avionics and Defense | www.ti.com/space-avionics-defense |
| Video and Imaging | www.ti.com/video |

TI E2E Community

e2e.ti.com



Компания «ЭлектроПласт» предлагает заключение долгосрочных отношений при поставках импортных электронных компонентов на взаимовыгодных условиях!

Наши преимущества:

- Оперативные поставки широкого спектра электронных компонентов отечественного и импортного производства напрямую от производителей и с крупнейших мировых складов;
- Поставка более 17-ти миллионов наименований электронных компонентов;
- Поставка сложных, дефицитных, либо снятых с производства позиций;
- Оперативные сроки поставки под заказ (от 5 рабочих дней);
- Экспресс доставка в любую точку России;
- Техническая поддержка проекта, помощь в подборе аналогов, поставка прототипов;
- Система менеджмента качества сертифицирована по Международному стандарту ISO 9001;
- Лицензия ФСБ на осуществление работ с использованием сведений, составляющих государственную тайну;
- Поставка специализированных компонентов (Xilinx, Altera, Analog Devices, Intersil, Interpoint, Microsemi, Aeroflex, Peregrine, Syfer, Eurofarad, Texas Instrument, Miteq, Cobham, E2V, MA-COM, Hittite, Mini-Circuits, General Dynamics и др.);

Помимо этого, одним из направлений компании «ЭлектроПласт» является направление «Источники питания». Мы предлагаем Вам помощь Конструкторского отдела:

- Подбор оптимального решения, техническое обоснование при выборе компонента;
- Подбор аналогов;
- Консультации по применению компонента;
- Поставка образцов и прототипов;
- Техническая поддержка проекта;
- Защита от снятия компонента с производства.



Как с нами связаться

Телефон: 8 (812) 309 58 32 (многоканальный)

Факс: 8 (812) 320-02-42

Электронная почта: org@eplast1.ru

Адрес: 198099, г. Санкт-Петербург, ул. Калинина, дом 2, корпус 4, литера А.