



16-Mbit (2M words × 8 bits) Static RAM with Error-Correcting Code (ECC)

Features

- Ultra-low standby power
 - Typical standby current: 5.5 μ A
 - Maximum standby current: 16 μ A
- High speed: 45 ns/55 ns
- Embedded error-correcting code (ECC) for single-bit error correction
- Wide voltage range: 1.65 V to 2.2 V, 2.2 V to 3.6 V, 4.5 V to 5.5 V
- 1.0 V data retention
- Transistor-transistor logic (TTL) compatible inputs and outputs
- ERR pin to indicate 1-bit error detection and correction
- Available in Pb-free 48-ball VFBGA package

Functional Description

CY62168G and CY62168GE are high-performance CMOS low-power (MoBL) SRAM devices with embedded ECC. Both devices are offered in single and dual chip enable options and in multiple pin configurations. The CY62168GE device includes an error indication pin that signals a single-bit error-detection and correction event during a read cycle.

Devices with a single chip enable input are accessed by asserting the chip enable input (CE) LOW. Dual chip enable devices are accessed by asserting both chip enable inputs – CE₁ as LOW and CE₂ as HIGH.

Write to the device by taking Chip Enable 1 (\overline{CE}_1) LOW and Chip Enable 2 (CE₂) HIGH and the Write Enable (WE) input LOW. Data on the eight I/O pins (I/O₀ through I/O₇) is then written into the location specified on the address pins (A₀ through A₂₀).

Read from the device by taking Chip Enable 1 (\overline{CE}_1) and Output Enable (\overline{OE}) LOW and Chip Enable 2 (CE₂) HIGH while forcing Write Enable (WE) HIGH. Under these conditions, the contents of the memory location specified by the address pins will appear on the I/O pins.

The eight input and output pins (I/O₀ through I/O₇) are placed in a high impedance state when the device is deselected (\overline{CE}_1 HIGH or CE₂ LOW), the outputs are disabled (\overline{OE} HIGH), or a write operation is in progress (\overline{CE}_1 LOW and CE₂ HIGH and WE LOW). See the [Truth Table – CY62168G/CY62168GE on page 14](#) for a complete description of read and write modes.

On CY62168GE devices, the detection and correction of a single bit error in the accessed location is indicated by the assertion of the ERR output (ERR = HIGH) [1].

The CY62168G and CY62168GE devices are available in a Pb-free 48-pin VFBGA package. The logic block diagrams are on page 2.

For a complete list of related resources, [click here](#).

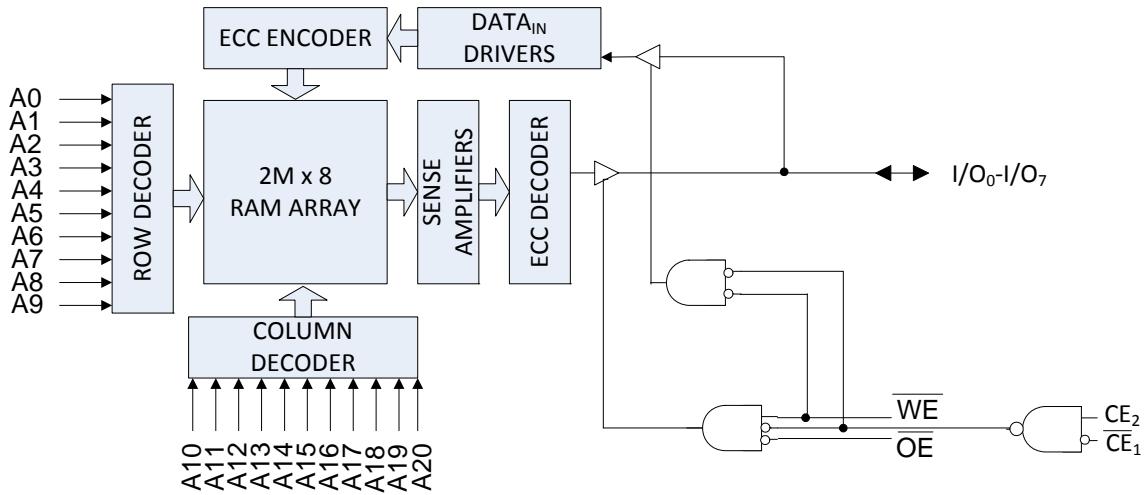
Product Portfolio

Product	Features and Options (see Pin Configurations section)	Range	V _{CC} Range (V)	Speed (ns)	Power Dissipation			
					Operating I _{CC} , (mA)		Standby, I _{SB2} (μ A)	
					f = f _{max}			
					Typ ^[2]	Max	Typ ^[2]	Max
CY62168G(E)18	Single or dual Chip Enables	Industrial	1.65 V–2.2 V	55	29	32	7	26
CY62168G(E)30			2.2 V–3.6 V	45	29	36	5.5	16
CY62168G(E)	Optional ERR pin		4.5 V–5.5 V					

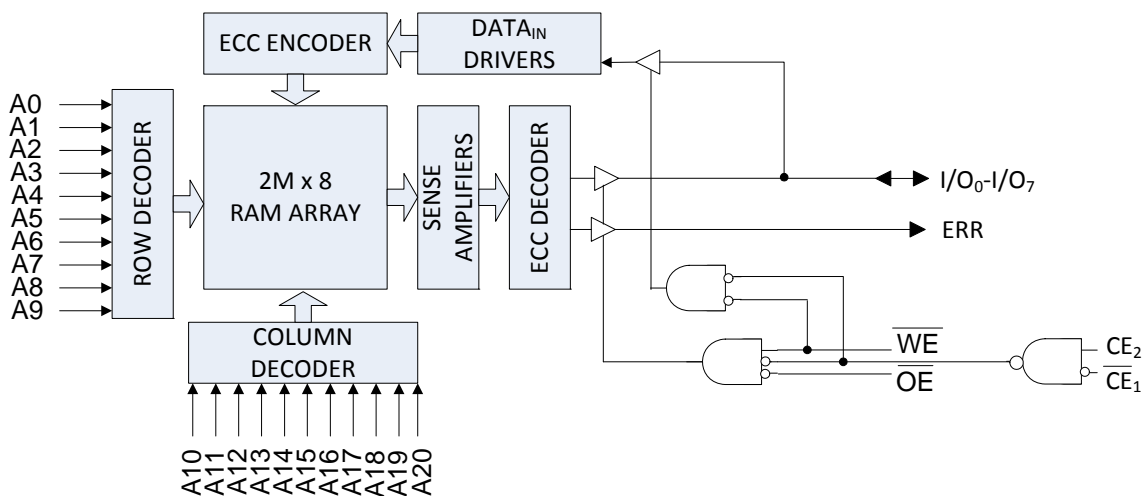
Notes

1. This device does not support automatic write-back on error detection.
2. Typical values are included for reference only and are not guaranteed or tested. Typical values are measured at V_{CC} = 1.8 V (for V_{CC} range of 1.65 V–2.2 V), V_{CC} = 3 V (for V_{CC} range of 2.2 V–3.6 V), and V_{CC} = 5 V (for V_{CC} range of 4.5 V–5.5 V), T_A = 25 °C.

Logic Block Diagram – CY62168G



Logic Block Diagram – CY62168GE



Contents

Pin Configurations	4	Ordering Information	15
Maximum Ratings	5	Ordering Code Definitions	15
Operating Range	5	Package Diagrams	16
DC Electrical Characteristics	5	Acronyms	17
Capacitance	7	Document Conventions	17
Thermal Resistance	7	Units of Measure	17
AC Test Loads and Waveforms	7	Document History Page	18
Data Retention Characteristics	8	Sales, Solutions, and Legal Information	19
Data Retention Waveform	8	Worldwide Sales and Design Support	19
Switching Characteristics	9	Products	19
Switching Waveforms	10	PSoC® Solutions	19
Truth Table – CY62168G/CY62168GE	14	Cypress Developer Community	19
ERR Output – CY62168GE	14	Technical Support	19

Pin Configurations

Figure 1. 48-ball VFBGA (6 × 8 × 1 mm) pinout^[3]
CY62168G

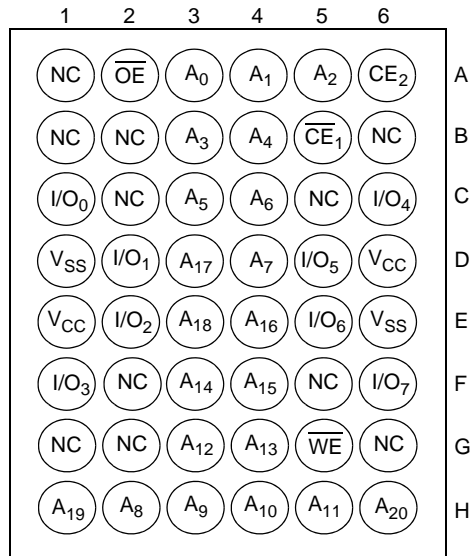
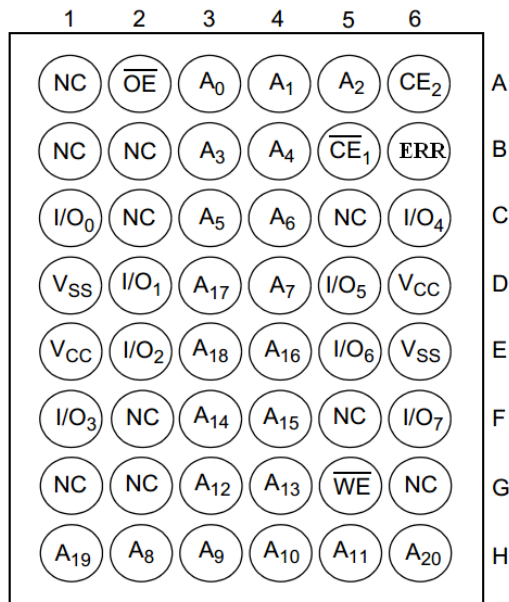


Figure 2. 48-ball VFBGA (6 × 8 × 1 mm) pinout^[3, 4]
CY62168GE



Note

3. NC pins are not connected internally to the die and are typically used for address expansion to a higher-density device. Refer to the respective datasheets for pin configuration.
4. ERR is an Output pin. If not used, this pin should be left floating.

Maximum Ratings

Exceeding maximum ratings may shorten the useful life of the device. User guidelines are not tested.

Storage temperature -65 °C to + 150 °C

Ambient temperature
with power applied -55 °C to + 125 °C

Supply voltage to ground potential -0.5 V to 6 V

DC voltage applied to outputs
in High Z state^[5] -0.5 V to $V_{CC} + 0.5 V$

DC input voltage^[5] -0.5 V to $V_{CC} + 0.5 V$

Output current into outputs (LOW) 20 mA

Static discharge voltage
(MIL-STD-883, Method 3015) >2001 V

Latch up current >140 mA

Operating Range

Grade	Ambient Temperature	V_{CC} ^[6]
Industrial	-40 °C to +85 °C	1.65 V to 2.2 V, 2.2 V to 3.6 V, 4.5 V to 5.5 V

DC Electrical Characteristics

Over the operating range of -40 °C to 85 °C

Parameter	Description	Test Conditions	45 ns/55 ns			Unit	
			Min	Typ ^[7]	Max		
V_{OH}	Output HIGH voltage	1.65 V to 2.2 V	$V_{CC} = \text{Min}, I_{OH} = -0.1 \text{ mA}$	1.4	-	-	V
		2.2 V to 2.7 V	$V_{CC} = \text{Min}, I_{OH} = -0.1 \text{ mA}$	2.0	-	-	V
		2.7 V to 3.6 V	$V_{CC} = \text{Min}, I_{OH} = -1.0 \text{ mA}$	2.4	-	-	V
		4.5 V to 5.5 V	$V_{CC} = \text{Min}, I_{OH} = -1.0 \text{ mA}$	2.4	-	-	V
		4.5 V to 5.5 V	$V_{CC} = \text{Min}, I_{OH} = -0.1 \text{ mA}$	$V_{CC} - 0.4$ ^[8]	-	-	V
V_{OL}	Output LOW voltage	1.65 V to 2.2 V	$V_{CC} = \text{Min}, I_{OL} = 0.1 \text{ mA}$	-	-	0.2	V
		2.2 V to 2.7 V	$V_{CC} = \text{Min}, I_{OL} = 0.1 \text{ mA}$	-	-	0.4	V
		2.7 V to 3.6 V	$V_{CC} = \text{Min}, I_{OL} = 2.1 \text{ mA}$	-	-	0.4	V
		4.5 V to 5.5 V	$V_{CC} = \text{Min}, I_{OL} = 2.1 \text{ mA}$	-	-	0.4	V
V_{IH}	Input HIGH voltage	1.65 V to 2.2 V	-	1.4	-	$V_{CC} + 0.2$	V
		2.2 V to 2.7 V	-	1.8	-	$V_{CC} + 0.3$	V
		2.7 V to 3.6 V	-	2.0	-	$V_{CC} + 0.3$	V
		4.5 V to 5.5 V	-	2.2	-	$V_{CC} + 0.5$	V
V_{IL}	Input LOW voltage ^[9]	1.65 V to 2.2 V	-	-0.2	-	0.4	V
		2.2 V to 2.7 V	-	-0.3	-	0.6	V
		2.7 V to 3.6 V	-	-0.3	-	0.8	V
		4.5 V to 5.5 V	-	-0.5	-	0.8	V
I_{IX}	Input leakage current	$GND \leq V_{IN} \leq V_{CC}$	-1.0	-	+1.0	μA	
I_{OZ}	Output leakage current	$GND \leq V_{OUT} \leq V_{CC}$, Output disabled	-1.0	-	+1.0	μA	

Notes

- $V_{IL(\text{min})} = -2.0 \text{ V}$ and $V_{IH(\text{max})} = V_{CC} + 2 \text{ V}$ for pulse durations of less than 20 ns.
- Full Device AC operation assumes a 100 μs ramp time from 0 to $V_{CC(\text{min})}$ and 200 μs wait time after V_{CC} stabilization.
- Typical values are included for reference only and are not guaranteed or tested. Typical values are measured at $V_{CC} = 1.8 \text{ V}$ (for V_{CC} range of 1.65 V–2.2 V), $V_{CC} = 3 \text{ V}$ (for V_{CC} range of 2.2 V–3.6 V), and $V_{CC} = 5 \text{ V}$ (for V_{CC} range of 4.5 V–5.5 V), $T_A = 25 \text{ }^\circ\text{C}$.
- This parameter is guaranteed by design and is not tested.
- $V_{IL(\text{min})} = -2.0 \text{ V}$ and $V_{IH(\text{max})} = V_{CC} + 2 \text{ V}$ for pulse durations of less than 20 ns.

DC Electrical Characteristics (continued)

Over the operating range of –40 °C to 85 °C

Parameter	Description	Test Conditions	45 ns/55 ns			Unit	
			Min	Typ ^[7]	Max		
I _{CC}	V _{CC} operating supply current	V _{CC} = Max, I _{OUT} = 0 mA, CMOS levels	f = 22.22 MHz (45 ns)	–	29.0	36.0	mA
			f = 18.18 MHz (55 ns)	–	29.0	32.0	mA
			f = 1 MHz	–	7.0	9.0	mA
I _{SB1} ^[10]	Automatic power down current – CMOS inputs; V _{CC} = 2.2 to 3.6 V and 4.5 to 5.5 V	$\overline{CE}_1 \geq V_{CC} - 0.2 \text{ V}$ or $CE_2 \leq 0.2 \text{ V}$, $V_{IN} \geq V_{CC} - 0.2 \text{ V}$, $V_{IN} \leq 0.2 \text{ V}$, f = f _{max} (address and data only),	–	5.5	16.0	μA	
	Automatic power down current – CMOS inputs; V _{CC} = 1.65 to 2.2 V	f = 0 (\overline{OE} , and \overline{WE}), V _{CC} = V _{CC(max)}	–	7	26.0	μA	
I _{SB2} ^[10]	Automatic power down current – CMOS inputs; V _{CC} = 2.2 to 3.6 V and 4.5 to 5.5 V	$\overline{CE}_1 \geq V_{CC} - 0.2 \text{ V}$ or $CE_2 \leq 0.2 \text{ V}$,	25 °C ^[11]	–	5.5	6.5	μA
			40 °C ^[11]	–	6.3	8.0	μA
		$V_{IN} \geq V_{CC} - 0.2 \text{ V}$ or $V_{IN} \leq 0.2 \text{ V}$,	70 °C ^[11]	–	8.4	12.0	μA
		f = 0, V _{CC} = V _{CC(max)}	85 °C	–	12.0 ^[11]	16.0	μA
	Automatic power down current – CMOS inputs; V _{CC} = 1.65 to 2.2 V	$\overline{CE}_1 \geq V_{CC} - 0.2 \text{ V}$ or $CE_2 \leq 0.2 \text{ V}$, $V_{IN} \geq V_{CC} - 0.2 \text{ V}$ or $V_{IN} \leq 0.2 \text{ V}$, f = 0, V _{CC} = V _{CC(max)}	–	7.0	26.0	μA	

Notes

10. Chip enables (\overline{CE}_1 and CE_2) must be tied to CMOS levels to meet the I_{SB1} / I_{SB2} / I_{CCDR} spec. Other inputs can be left floating.
 11. The I_{SB2} limits at 25 °C, 40 °C, 70 °C and typical limit at 85 °C are guaranteed by design and not 100% tested.

Capacitance

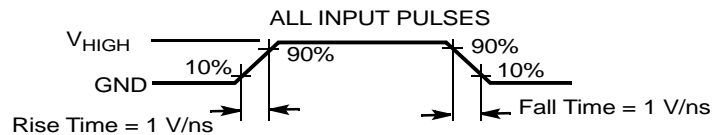
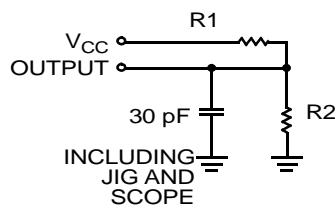
Parameter ^[12]	Description	Test Conditions	Max	Unit
C_{IN}	Input capacitance	$T_A = 25\text{ }^\circ\text{C}$, $f = 1\text{ MHz}$, $V_{CC} = V_{CC(\text{typ})}$	10	pF
C_{OUT}	Output capacitance		10	pF

Thermal Resistance

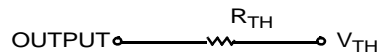
Parameter ^[12]	Description	Test Conditions	48-ball VFBGA	Unit
θ_{JA}	Thermal resistance (junction to ambient)	Still air, soldered on a 3 x 4.5 inch, four-layer printed circuit board	31.50	$^\circ\text{C/W}$
θ_{JC}	Thermal resistance (junction to case)		15.75	$^\circ\text{C/W}$

AC Test Loads and Waveforms

Figure 3. AC Test Loads and Waveforms



Equivalent to: THÉVENIN EQUIVALENT



Parameters	1.8 V	2.5 V	3.0 V	5.0 V	Unit
R1	13500	16667	1103	1800	Ω
R2	10800	15385	1554	990	Ω
R_{TH}	6000	8000	645	639	Ω
V_{TH}	0.8	1.2	1.75	1.77	V
V_{HIGH}	1.8	2.5	3.0	5.0	V

Note

12. Tested initially and after any design or process changes that may affect these parameters.

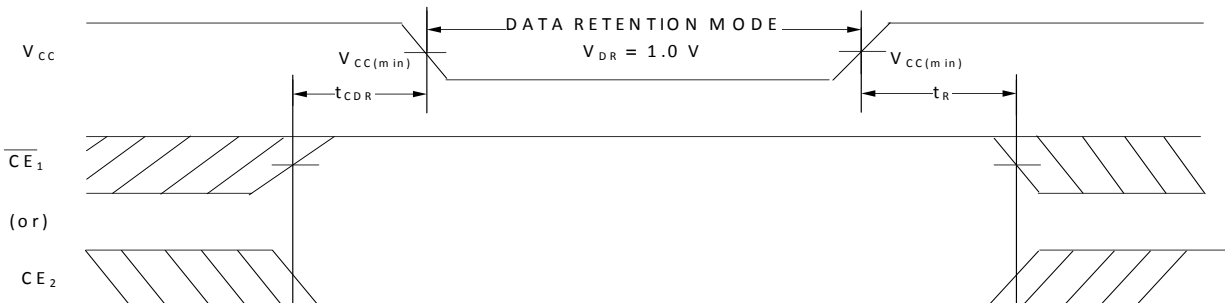
Data Retention Characteristics

Over the Operating Range

Parameter	Description	Conditions	Min	Typ ^[13]	Max	Unit
V_{DR}	V_{CC} for data retention		1.0	–	–	V
I_{CCDR} ^[14, 15]	Data retention current	$1.2\text{ V} \leq V_{CC} \leq 2.2\text{ V}$, $\overline{CE}_1 \geq V_{CC} - 0.2\text{ V}$ or $CE_2 \leq 0.2\text{ V}$, $V_{IN} \geq V_{CC} - 0.2\text{ V}$ or $V_{IN} \leq 0.2\text{ V}$	–	7.0	26.0	μA
		$2.2\text{ V} < V_{CC} \leq 3.6\text{ V}$ or $4.5\text{ V} \leq V_{CC} \leq 5.5\text{ V}$, $\overline{CE}_1 \geq V_{CC} - 0.2\text{ V}$ or $CE_2 \leq 0.2\text{ V}$, $V_{IN} \geq V_{CC} - 0.2\text{ V}$ or $V_{IN} \leq 0.2\text{ V}$	–	5.5	16.0	μA
t_{CDR} ^[16]	Chip deselect to data retention time		0	–	–	–
t_R ^[16, 17]	Operation recovery time		45/55	–	–	ns

Data Retention Waveform

Figure 4. Data Retention Waveform



Notes

13. Typical values are included for reference only and are not guaranteed or tested. Typical values are measured at $V_{CC} = 1.8\text{ V}$ (for V_{CC} range of 1.65 V–2.2 V), $V_{CC} = 3\text{ V}$ (for V_{CC} range of 2.2 V–3.6 V), and $V_{CC} = 5\text{ V}$ (for V_{CC} range of 4.5 V–5.5 V), $T_A = 25\text{ }^\circ\text{C}$.

14. Chip enables (\overline{CE}_1 and CE_2) must be tied to CMOS levels to meet the I_{SB1} / I_{SB2} / I_{CCDR} spec. Other inputs can be left floating.

15. I_{CCDR} is guaranteed only after device is first powered up to $V_{CC(min)}$ and brought down to V_{DR} .

16. These parameters are guaranteed by design.

17. Full device operation requires linear V_{CC} ramp from V_{DR} to $V_{CC(min)} \geq 100\text{ }\mu\text{s}$ or stable at $V_{CC(min)} \geq 100\text{ }\mu\text{s}$.

Switching Characteristics

Parameter ^[18, 19]	Description	45 ns		55 ns		Unit
		Min	Max	Min	Max	
Read Cycle						
t_{RC}	Read cycle time	45.0	–	55.0	–	ns
t_{AA}	Address to data valid / Address to ERR valid	–	45.0	–	55.0	ns
t_{OHA}	Data hold from address change / ERR hold from address change	10.0	–	10.0	–	ns
t_{ACE}	\overline{CE}_1 LOW and CE_2 HIGH to data valid / \overline{CE} LOW to ERR valid	–	45.0	–	55.0	ns
t_{DOE}	\overline{OE} LOW to data valid / \overline{OE} LOW to ERR valid	–	22.0	–	25.0	ns
t_{LZOE}	\overline{OE} LOW to Low Z ^[19, 20]	5.0	–	5.0	–	ns
t_{HZOE}	\overline{OE} HIGH to High Z ^[19, 20, 21]	–	18.0	–	18.0	ns
t_{LZCE}	\overline{CE}_1 LOW and CE_2 HIGH to Low Z ^[19, 20]	10.0	–	10.0	–	ns
t_{HZCE}	\overline{CE}_1 HIGH and CE_2 LOW to High Z ^[19, 20, 21]	–	18.0	–	18.0	ns
t_{PU} ^[22]	\overline{CE}_1 LOW and CE_2 HIGH to power-up	0	–	0	–	ns
t_{PD} ^[22]	\overline{CE}_1 HIGH and CE_2 LOW to power-down	–	45.0	–	55.0	ns
Write Cycle ^[23, 24]						
t_{WC}	Write cycle time	45.0	–	55.0	–	ns
t_{SCE}	\overline{CE}_1 LOW and CE_2 HIGH to write end	35.0	–	40.0	–	ns
t_{AW}	Address setup to write end	35.0	–	40.0	–	ns
t_{HA}	Address hold from write end	0	–	0	–	ns
t_{SA}	Address setup to write start	0	–	0	–	ns
t_{PWE}	\overline{WE} pulse width	35.0	–	40.0	–	ns
t_{SD}	Data setup to write end	25.0	–	25.0	–	ns
t_{HD}	Data hold from write end	0	–	0	–	ns
t_{HZWE}	\overline{WE} LOW to High Z ^[19, 21, 20]	–	18.0	–	20.0	ns
t_{LZWE}	\overline{WE} HIGH to Low Z ^[19, 20]	10.0	–	10.0	–	ns

Notes

18. Test conditions assume signal transition time (rise/fall) of 3 ns or less, timing reference levels of 1.5 V (for $V_{CC} \geq 3$ V) and $V_{CC}/2$ (for $V_{CC} < 3$ V), and input pulse levels of 0 to 3 V (for $V_{CC} \geq 3$ V) and 0 to V_{CC} (for $V_{CC} < 3$ V). Test conditions for the read cycle use output loading shown in AC Test Loads and Waveforms section, unless specified otherwise.

19. At any temperature and voltage condition, t_{HZCE} is less than t_{LZCE} , t_{HZOE} is less than t_{LZOE} , and t_{HZWE} is less than t_{LZWE} for any device.

20. Tested initially and after any design or process changes that may affect these parameters.

21. t_{HZOE} , t_{HZCE} , and t_{HZWE} transitions are measured when the outputs enter a high impedance state.

22. These parameters are guaranteed by design and are not tested.

23. The internal write time of the memory is defined by the overlap of $\overline{WE} = V_{IL}$, $\overline{CE}_1 = V_{IL}$, and $CE_2 = V_{IH}$. All signals must be ACTIVE to initiate a write and any of these signals can terminate a write by going INACTIVE. The data input setup and hold timing must refer to the edge of the signal that terminates the write.

24. The minimum write cycle pulse width for write cycle No. 2 (\overline{WE} Controlled, \overline{OE} Low) should be equal to the sum of t_{HZWE} and t_{SD} .

Switching Waveforms

Figure 5. Read Cycle No. 1 of CY62168G (Address Transition Controlled)^[25, 26]

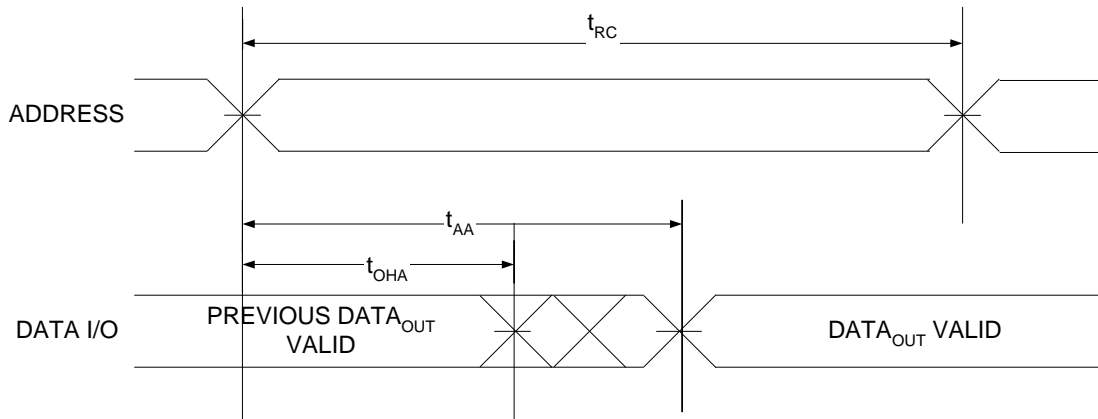
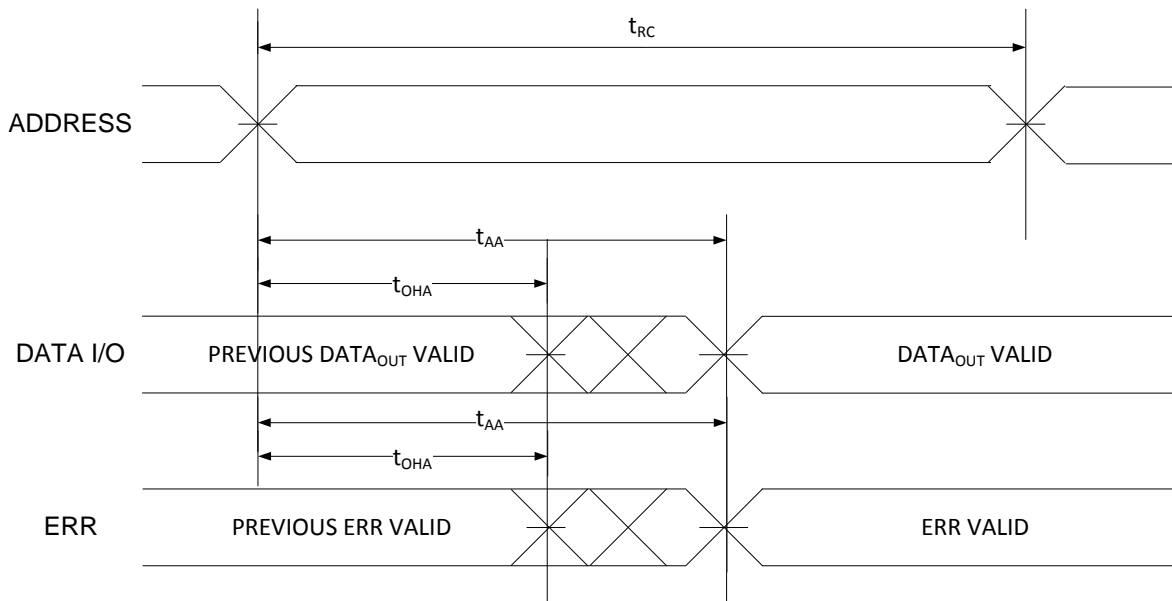


Figure 6. Read Cycle No. 1 of CY62168GE (Address Transition Controlled)^[25, 26]

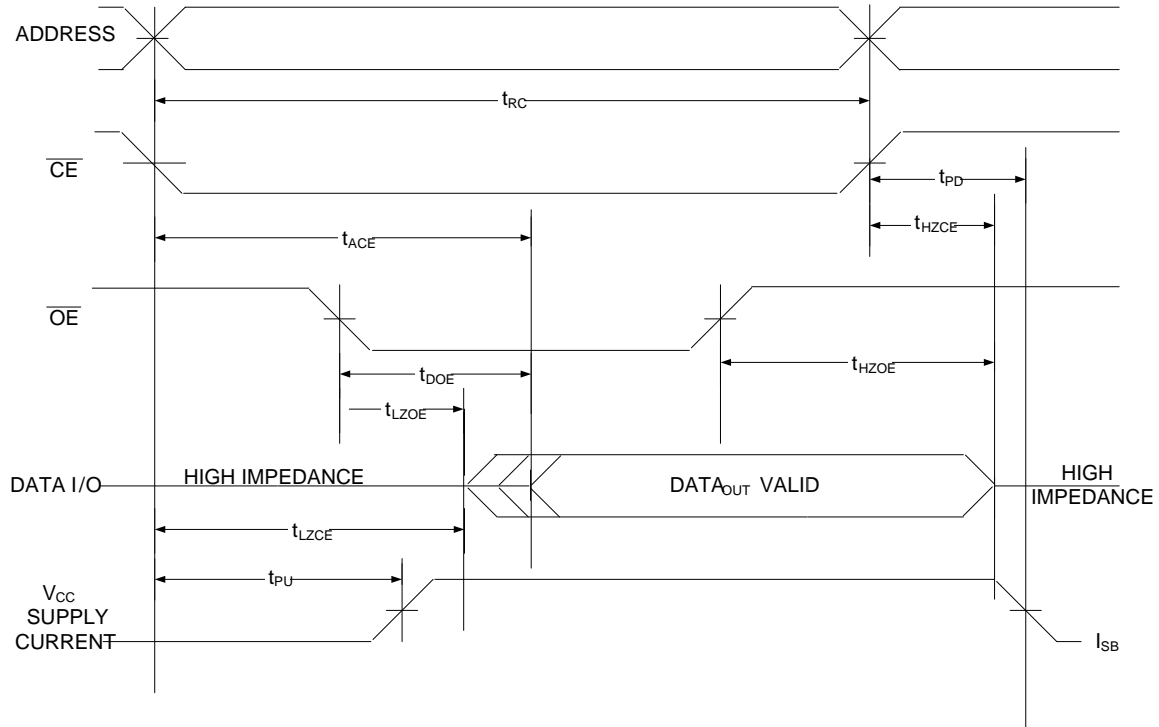


Notes

- 25. The device is continuously selected. $\overline{OE} = V_{IL}$, $\overline{CE} = V_{IL}$.
- 26. \overline{WE} is HIGH for read cycle.

Switching Waveforms (continued)

Figure 7. Read Cycle No. 2 (\overline{OE} Controlled)^[27, 28, 29]

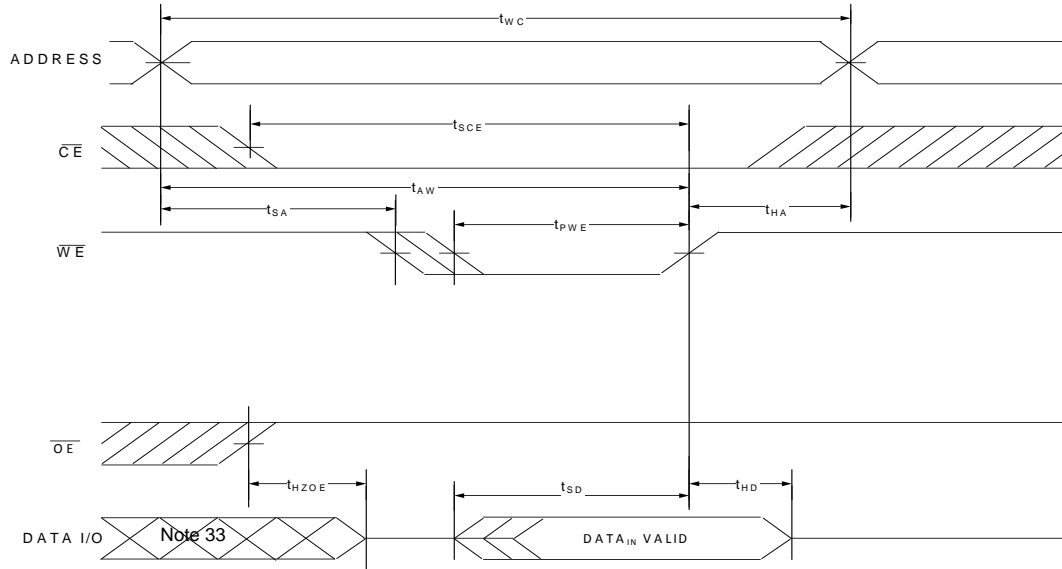


Notes

- 27. \overline{WE} is HIGH for read cycle.
- 28. For all dual chip enable devices, \overline{CE} is the logical combination of \overline{CE}_1 and CE_2 . When \overline{CE}_1 is LOW and CE_2 is HIGH, \overline{CE} is LOW; when \overline{CE}_1 is HIGH or CE_2 is LOW, \overline{CE} is HIGH.
- 29. Address valid prior to or coincident with \overline{CE} LOW transition.

Switching Waveforms (continued)

Figure 8. Write Cycle No. 1 (\overline{WE} Controlled)^[30, 31, 32]



Notes

- 30. For all dual chip enable devices, \overline{CE} is the logical combination of \overline{CE}_1 and CE_2 . When \overline{CE}_1 is LOW and CE_2 is HIGH, \overline{CE} is LOW; when \overline{CE}_1 is HIGH or CE_2 is LOW, \overline{CE} is HIGH.
- 31. The internal write time of the memory is defined by the overlap of $\overline{WE} = V_{IL}$, $\overline{CE}_1 = V_{IL}$, and $CE_2 = V_{IH}$. All signals must be ACTIVE to initiate a write and any of these signals can terminate a write by going INACTIVE. The data input setup and hold timing must refer to the edge of the signal that terminates the write.
- 32. Data I/O is in the high-impedance state if $\overline{CE} = V_{IH}$, or $\overline{OE} = V_{IH}$.
- 33. During this period, the I/Os are in output state. Do not apply input signals.

Switching Waveforms (continued)

Figure 9. Write Cycle No. 2 (\overline{WE} Controlled, \overline{OE} Low)^[34, 35, 36, 37]

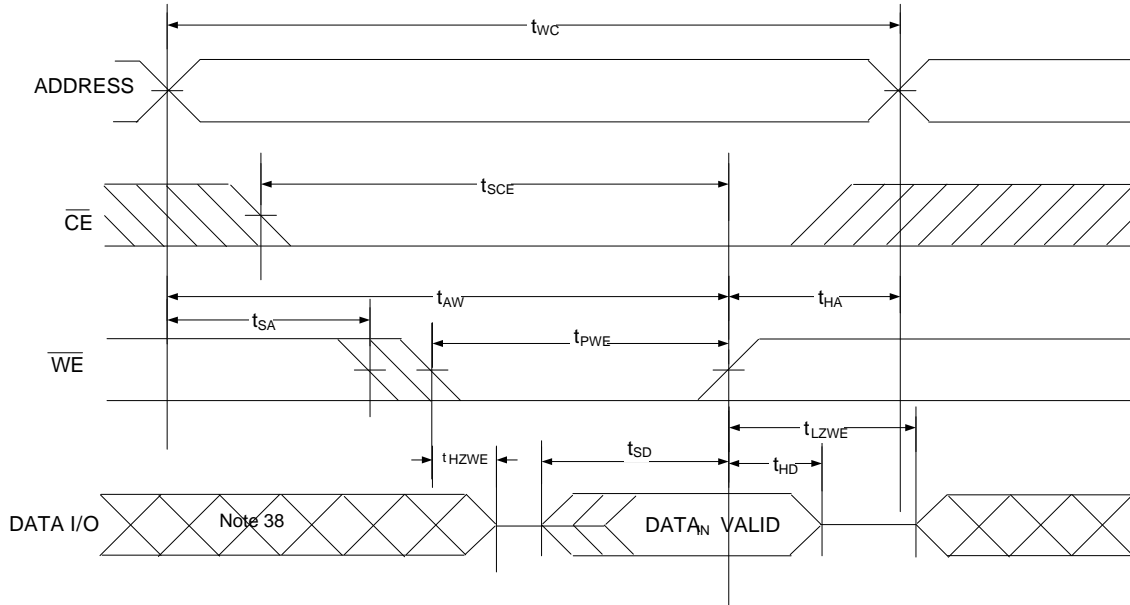
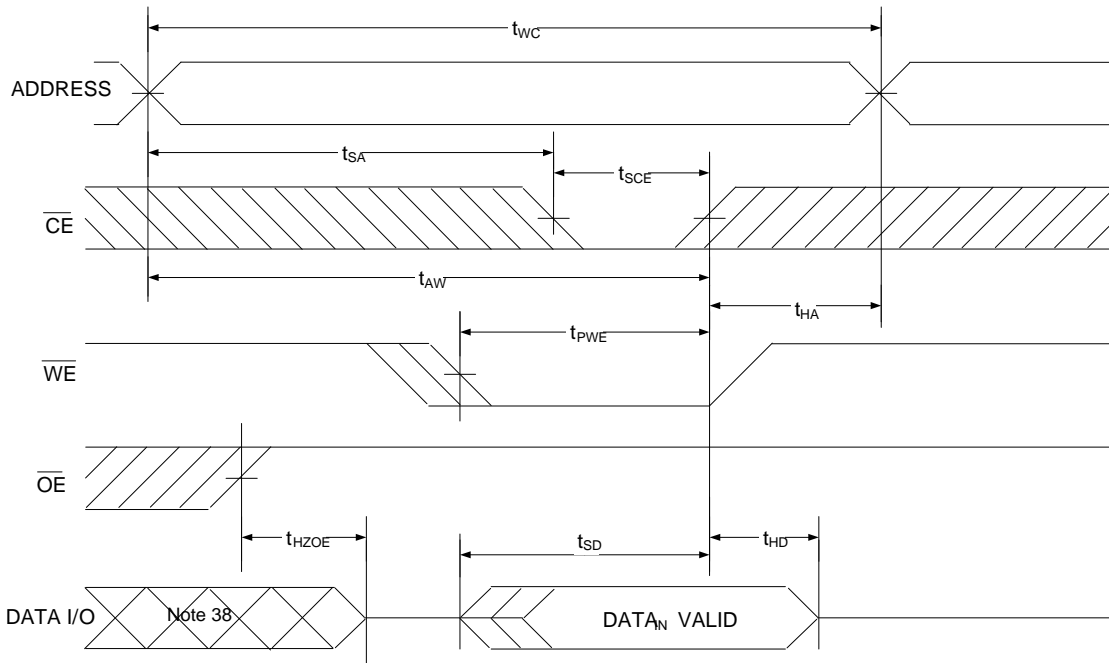


Figure 10. Write Cycle No. 3 (\overline{CE} Controlled)^[34, 35, 36]



Notes

- 34. For all dual chip enable devices, \overline{CE} is the logical combination of \overline{CE}_1 and CE_2 . When \overline{CE}_1 is LOW and CE_2 is HIGH, \overline{CE} is LOW; when \overline{CE}_1 is HIGH or CE_2 is LOW, \overline{CE} is HIGH.
- 35. The internal write time of the memory is defined by the overlap of $\overline{WE} = V_{IL}$, $\overline{CE}_1 = V_{IL}$, and $CE_2 = V_{IH}$. All signals must be ACTIVE to initiate a write and any of these signals can terminate a write by going INACTIVE. The data input setup and hold timing must refer to the edge of the signal that terminates the write.
- 36. Data I/O is in high impedance state if $\overline{CE} = V_{IH}$ or $\overline{OE} = V_{IH}$.
- 37. The minimum write cycle pulse width should be equal to the sum of the t_{HZWE} and t_{SD} .
- 38. During this period I/O are in the output state. Do not apply input signals.

Truth Table – CY62168G/CY62168GE

\overline{CE}_1	CE_2	\overline{WE}	\overline{OE}	I/Os	Mode	Power
H	X ^[39]	X ^[39]	X ^[39]	High Z	Deselect / Power down	Standby (I _{SB2})
X ^[39]	L	X ^[39]	X ^[39]	High Z	Deselect / Power down	Standby (I _{SB2})
L	H	H	L	Data Out (I/O ₀ –I/O ₇)	Read	Active (I _{CC})
L	H	H	H	High Z	Output disabled	Active (I _{CC})
L	H	L	X	Data In (I/O ₀ –I/O ₇)	Write	Active (I _{CC})

ERR Output – CY62168GE

Output ^[40]	Mode
0	Read Operation, no single-bit error in the stored data.
1	Read Operation, single-bit error detected and corrected.
High Z	Device deselected / Outputs disabled / Write Operation.

Note

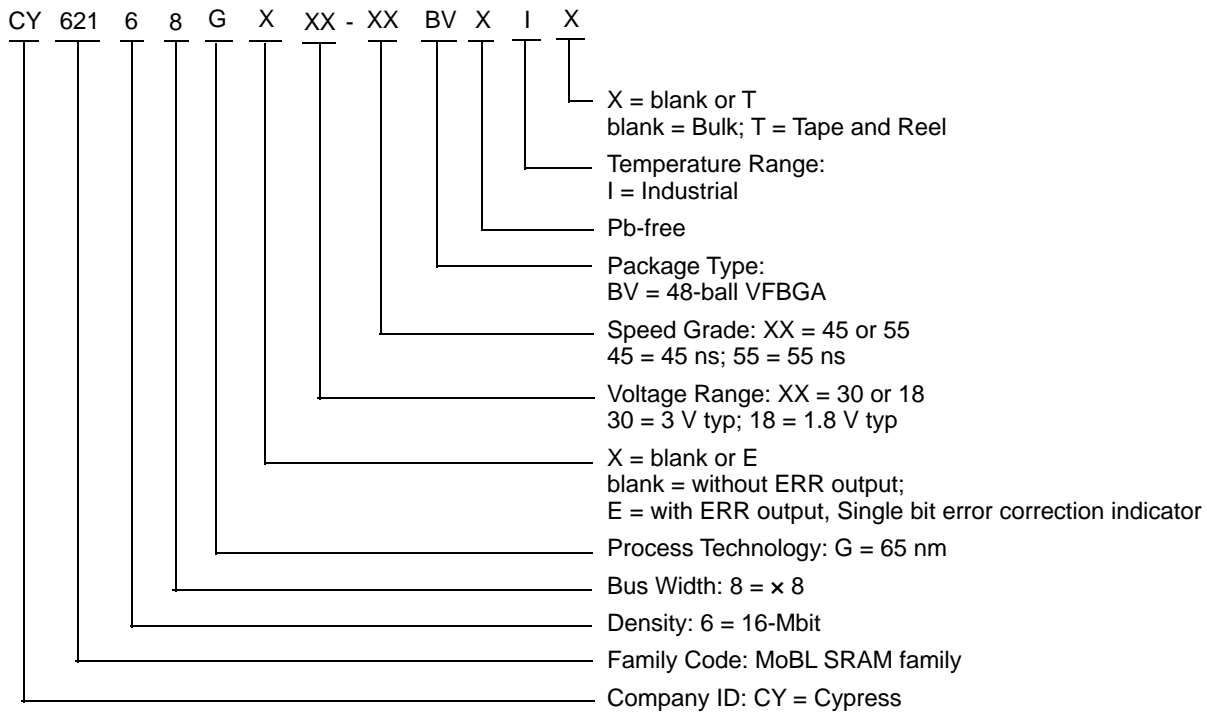
39. The 'X' (Don't care) state for the chip enables refer to the logic state (either HIGH or LOW). Intermediate voltage levels on these pins is not permitted.

40. ERR is an Output pin. If not used, this pin should be left floating.

Ordering Information

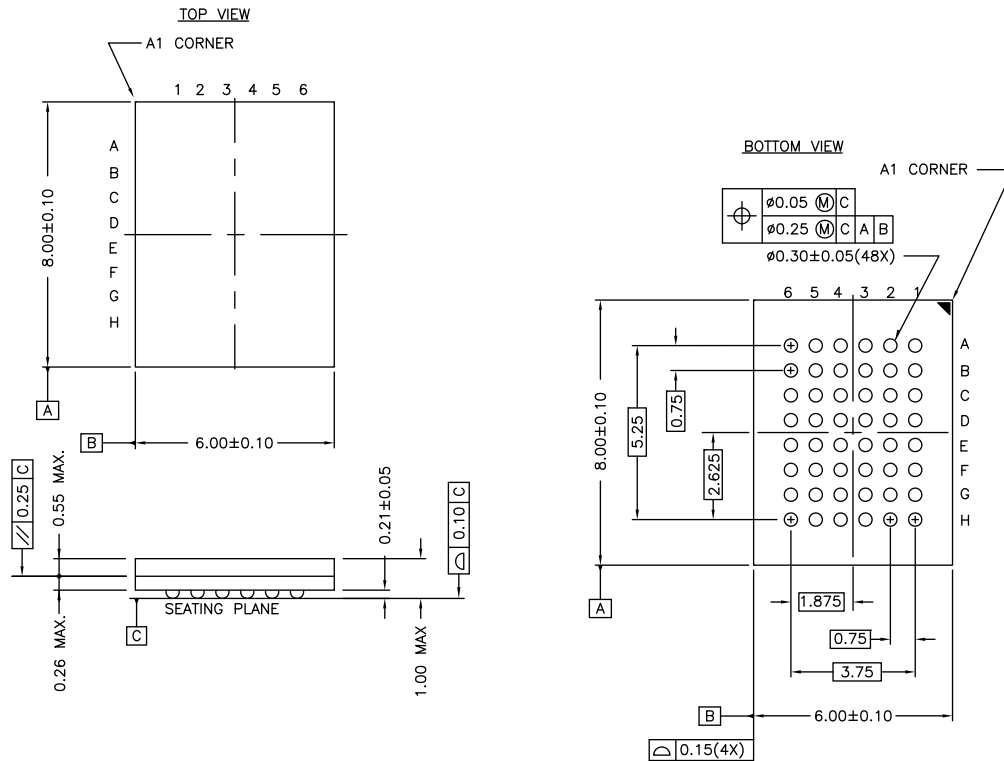
Speed (ns)	Ordering Code	Package Diagram	Package Type (all Pb-free)	Operating Range
45	CY62168GE30-45BVXI	51-85150	48-ball VFBGA	Industrial
	CY62168GE30-45BVXIT		48-ball VFBGA, Tape and Reel	
	CY62168G30-45BVXI	51-85150	48-ball VFBGA	Industrial
	CY62168G30-45BVXIT		48-ball VFBGA, Tape and Reel	
55	CY62168G18-55BVXI	51-85150	48-ball VFBGA	Industrial
	CY62168G18-55BVXIT		48-ball VFBGA, Tape and Reel	

Ordering Code Definitions



Package Diagrams

Figure 11. 48-ball VFBGA (6 × 8 × 1.0 mm) BV48/BZ48 Package Outline, 51-85150



NOTE:
 PACKAGE WEIGHT: See Cypress Package Material Declaration Datasheet (PMDD) posted on the Cypress web.

51-85150 *H

Acronyms

Acronym	Description
\overline{CE}	Chip Enable
CMOS	Complementary Metal Oxide Semiconductor
I/O	Input/Output
\overline{OE}	Output Enable
SRAM	Static Random Access Memory
VFBGA	Very Fine-Pitch Ball Grid Array
\overline{WE}	Write Enable

Document Conventions

Units of Measure

Symbol	Unit of Measure
°C	degree Celsius
MHz	megahertz
μA	microampere
μs	microsecond
mA	milliampere
mm	millimeter
ns	nanosecond
Ω	ohm
%	percent
pF	picofarad
V	volt
W	watt

Document History Page

Document Title: CY62168G/CY62168GE MoBL [®] , 16-Mbit (2M words x 8 bits) Static RAM with Error-Correcting Code (ECC) Document Number: 001-84771				
Rev.	ECN No.	Orig. of Change	Submission Date	Description of Change
*G	4800984	VINI	07/31/2015	Changed status from Preliminary to Final.
*H	5449003	VINI	11/03/2016	Updated Maximum Ratings : Updated Note 5 (Replaced “2 ns” with “20 ns”). Updated DC Electrical Characteristics : Changed minimum value of V _{OH} parameter from 2.2 V to 2.4 V corresponding to Operating Range “2.7 V to 3.6 V”. Changed minimum value of V _{IH} parameter from 2.0 V to 1.8 V corresponding to Operating Range “2.2 V to 2.7 V”. Updated Thermal Resistance : Replaced “two-layer” with “four-layer” in “Test Conditions” column. Updated Ordering Information : Updated part numbers. Updated Ordering Code Definitions . Updated to new template. Completing Sunset Review.
*I	6003639	AESATP12	12/22/2017	Updated logo and copyright.

Sales, Solutions, and Legal Information

Worldwide Sales and Design Support

Cypress maintains a worldwide network of offices, solution centers, manufacturer's representatives, and distributors. To find the office closest to you, visit us at [Cypress Locations](#).

Products

Arm [®] Cortex [®] Microcontrollers	cypress.com/arm
Automotive	cypress.com/automotive
Clocks & Buffers	cypress.com/clocks
Interface	cypress.com/interface
Internet of Things	cypress.com/iot
Memory	cypress.com/memory
Microcontrollers	cypress.com/mcu
PSoC	cypress.com/psoc
Power Management ICs	cypress.com/pmic
Touch Sensing	cypress.com/touch
USB Controllers	cypress.com/usb
Wireless Connectivity	cypress.com/wireless

PSoC[®] Solutions

[PSoC 1](#) | [PSoC 3](#) | [PSoC 4](#) | [PSoC 5LP](#) | [PSoC 6 MCU](#)

Cypress Developer Community

[Community](#) | [Projects](#) | [Video](#) | [Blogs](#) | [Training](#) | [Components](#)

Technical Support

cypress.com/support

© Cypress Semiconductor Corporation, 2012-2017. This document is the property of Cypress Semiconductor Corporation and its subsidiaries, including Spansion LLC ("Cypress"). This document, including any software or firmware included or referenced in this document ("Software"), is owned by Cypress under the intellectual property laws and treaties of the United States and other countries worldwide. Cypress reserves all rights under such laws and treaties and does not, except as specifically stated in this paragraph, grant any license under its patents, copyrights, trademarks, or other intellectual property rights. If the Software is not accompanied by a license agreement and you do not otherwise have a written agreement with Cypress governing the use of the Software, then Cypress hereby grants you a personal, non-exclusive, nontransferable license (without the right to sublicense) (1) under its copyright rights in the Software (a) for Software provided in source code form, to modify and reproduce the Software solely for use with Cypress hardware products, only internally within your organization, and (b) to distribute the Software in binary code form externally to end users (either directly or indirectly through resellers and distributors), solely for use on Cypress hardware product units, and (2) under those claims of Cypress's patents that are infringed by the Software (as provided by Cypress, unmodified) to make, use, distribute, and import the Software solely for use with Cypress hardware products. Any other use, reproduction, modification, translation, or compilation of the Software is prohibited.

TO THE EXTENT PERMITTED BY APPLICABLE LAW, CYPRESS MAKES NO WARRANTY OF ANY KIND, EXPRESS OR IMPLIED, WITH REGARD TO THIS DOCUMENT OR ANY SOFTWARE OR ACCOMPANYING HARDWARE, INCLUDING, BUT NOT LIMITED TO, THE IMPLIED WARRANTIES OF MERCHANTABILITY AND FITNESS FOR A PARTICULAR PURPOSE. No computing device can be absolutely secure. Therefore, despite security measures implemented in Cypress hardware or software products, Cypress does not assume any liability arising out of any security breach, such as unauthorized access to or use of a Cypress product. In addition, the products described in these materials may contain design defects or errors known as errata which may cause the product to deviate from published specifications. To the extent permitted by applicable law, Cypress reserves the right to make changes to this document without further notice. Cypress does not assume any liability arising out of the application or use of any product or circuit described in this document. Any information provided in this document, including any sample design information or programming code, is provided only for reference purposes. It is the responsibility of the user of this document to properly design, program, and test the functionality and safety of any application made of this information and any resulting product. Cypress products are not designed, intended, or authorized for use as critical components in systems designed or intended for the operation of weapons, weapons systems, nuclear installations, life-support devices or systems, other medical devices or systems (including resuscitation equipment and surgical implants), pollution control or hazardous substances management, or other uses where the failure of the device or system could cause personal injury, death, or property damage ("Unintended Uses"). A critical component is any component of a device or system whose failure to perform can be reasonably expected to cause the failure of the device or system, or to affect its safety or effectiveness. Cypress is not liable, in whole or in part, and you shall and hereby do release Cypress from any claim, damage, or other liability arising from or related to all Unintended Uses of Cypress products. You shall indemnify and hold Cypress harmless from and against all claims, costs, damages, and other liabilities, including claims for personal injury or death, arising from or related to any Unintended Uses of Cypress products.

Cypress, the Cypress logo, Spansion, the Spansion logo, and combinations thereof, WICED, PSoC, CapSense, EZ-USB, F-RAM, and Traveo are trademarks or registered trademarks of Cypress in the United States and other countries. For a more complete list of Cypress trademarks, visit cypress.com. Other names and brands may be claimed as property of their respective owners.



Компания «ЭлектроПласт» предлагает заключение долгосрочных отношений при поставках импортных электронных компонентов на взаимовыгодных условиях!

Наши преимущества:

- Оперативные поставки широкого спектра электронных компонентов отечественного и импортного производства напрямую от производителей и с крупнейших мировых складов;
- Поставка более 17-ти миллионов наименований электронных компонентов;
- Поставка сложных, дефицитных, либо снятых с производства позиций;
- Оперативные сроки поставки под заказ (от 5 рабочих дней);
- Экспресс доставка в любую точку России;
- Техническая поддержка проекта, помощь в подборе аналогов, поставка прототипов;
- Система менеджмента качества сертифицирована по Международному стандарту ISO 9001;
- Лицензия ФСБ на осуществление работ с использованием сведений, составляющих государственную тайну;
- Поставка специализированных компонентов (Xilinx, Altera, Analog Devices, Intersil, Interpoint, Microsemi, Aeroflex, Peregrine, Syfer, Eurofarad, Texas Instrument, Miteq, Cobham, E2V, MA-COM, Hittite, Mini-Circuits, General Dynamics и др.);

Помимо этого, одним из направлений компании «ЭлектроПласт» является направление «Источники питания». Мы предлагаем Вам помощь Конструкторского отдела:

- Подбор оптимального решения, техническое обоснование при выборе компонента;
- Подбор аналогов;
- Консультации по применению компонента;
- Поставка образцов и прототипов;
- Техническая поддержка проекта;
- Защита от снятия компонента с производства.



Как с нами связаться

Телефон: 8 (812) 309 58 32 (многоканальный)

Факс: 8 (812) 320-02-42

Электронная почта: org@eplast1.ru

Адрес: 198099, г. Санкт-Петербург, ул. Калинина, дом 2, корпус 4, литера А.