

SPECIFICATION CONTROL DRAWING

CONTACTS, ELECTRICAL CONNECTOR, PIN
SOLDERTACT[®], REMOVABLE, SHIELDED, SIZE 16, M39029/76 TYPE
(FOR MIL-C-38999 SERIES I, II, III, IV AND MIL-C-24308 CONNECTORS)

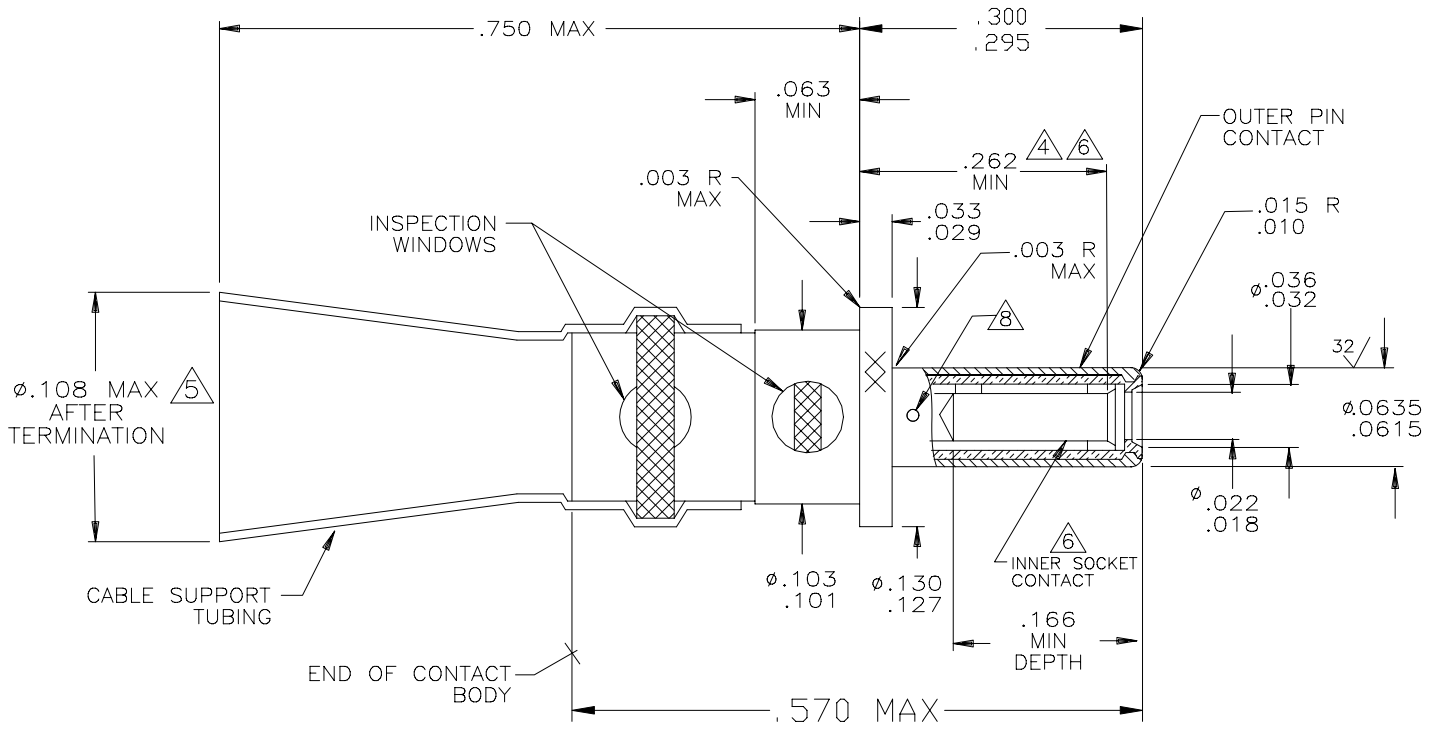


FIGURE 1.

**If this document is printed it becomes uncontrolled.
Check with the web for latest revision.**

1. DIMENSIONS ARE IN INCHES.
2. METRIC EQUIVALENTS CAN BE CALCULATED BASED UPON 1.00 INCH=25.4 MM..
3. DIMENSIONS SHOWN APPLY AFTER PLATING.
- 4 POINT AT WHICH A SQUARE ENDED PIN OF THE SAME BASIC DIAMETER AS THE MATING CONTACT FIRST ENGAGES THE INNER CONTACT SPRING. PROVISION FOR CLEARANCE HOLE SHALL BE PROVIDED.
- 5 SLEEVE RECOVERY: THE DIAMETER OF THE SHRINK TUBING OVER ALL CABLES SHALL NOT EXCEED THE DIAMETER SHOWN, EXCEPT AS NOTED.
- 6 MATES WITH .0155/.0145 DIAMETER PIN
7. CONTACT WEIGHT: 0.243 GRAMS MAXIMUM UNTERMINATED.
- 8 THE FEATURES SHOWN ARE TWO HOLES REQUIRED TO ACCOMMODATE THE CONTACT MANUFACTURING PROCESS (REF.)

NOTICE: THE INFORMATION GIVEN HEREIN IS BELIEVED TO BE RELIABLE, HOWEVER, RAYCHEM MAKES NO WARRANTIES AS TO ITS ACCURACY OR COMPLETENESS AND DISCLAIMS ANY LIABILITY IN CONNECTION WITH ITS USE. RAYCHEM'S OBLIGATIONS SHALL BE ONLY AS SET FORTH IN RAYCHEM'S STANDARD TERMS AND CONDITIONS OF SALE FOR THIS PRODUCT AND IN NO CASE WILL RAYCHEM BE LIABLE FOR ANY INCIDENTAL, INDIRECT OR CONSEQUENTIAL DAMAGES ARISING OUT OF THE SALE, RESALE, USE OR MISUSE OF THE PRODUCT.

UNLESS OTHERWISE SPECIFIED DIMENSIONS ARE IN INCHES. METRIC DIMENSIONS ARE IN BRACKETS.

DECIMALS
.XXX ± [mm]
.XX ± [mm]
ANGLES ±

USERS OF RAYCHEM PRODUCTS SHOULD MAKE THEIR OWN EVALUATION TO DETERMINE THE SUITABILITY OF EACH SUCH PRODUCT FOR THE SPECIFIC APPLICATION.

PREPARED BY: <i>ZS.ORBAN</i>	CAD NAME: <i>T29713A.DWG</i>	CHECKED:	APPROVED: <i>M.HIGGY</i> DEV MGR.	DOCUMENT NUMBER: <i>D-602-0140-C8898</i>
DATE: <i>7/26/2001</i>		DATE:	DATE: <i>7/26/2001</i>	SHEET 1 of 5

SPECIFICATION CONTROL DRAWING

REQUIREMENTS:

DIMENSIONS (FIGURE 1), DESIGN CHARACTERISTICS, AND CONFIGURATION MEET THE REQUIREMENTS OF M39029/76 EXCEPT THAT THE TEMPERATURE RATING IS 125°C INSTEAD OF 200°C, TERMINATION IS BY SOLDERING INSTEAD OF CRIMPING. SEE TABLE I FOR CABLE ACCOMMODATION.

THIS CONTACT IS QUALIFIED TO RAYCHEM SPECIFICATION D-6002.

MATING CONTACT: D-602-0171-C8898 (M39029/78)

TOOLS: SEE TABLE II.

TABLE I. DESIGN CHARACTERISTICS

CABLE ACCOMMODATED <u>1/</u>	CONTACT CAVITY SIZE	TYPE	CLASS
RAYCHEM 10598-30-9X	16	D	A

1/ THE CONTACT TERMINATES THE CENTER CONDUCTOR AND INNER SHIELD OF THIS TRIAXIAL CABLE.

OTHER APPLICATIONS USING DIFFERENT CABLES MAY BE ACCOMMODATED. CONSULT CONTACT MANUFACTURER FOR DETAILS.

TABLE II. TOOLS

HEATING TOOLS <u>2/</u>	REFLECTORS <u>2/</u>	STANDARD FIXTURE <u>2/</u>		REPAIR FIXTURE <u>2/</u>	INSTALLING TOOLS *	REMOVAL TOOLS *
		BASIC FIXTURE	ADAPTER			
AA-400 SUPER HEATER	#979663 MINI SOLDER SLEEVE	AD-1319 OR AD1567	AT-1319-78 OR AT-1319-27	AD-1565	M81969/8-07 OR M81969/14-03	M81969/8-08 OR M81969/14-03
STEINEL HLI802E	STEINEL SOLDERSLEEVE				OR DANIELS MFG. DAK83-16 (METAL)	OR DANIELS MFG. DAK83-16 (METAL)

2/ SEE RAYCHEM ES-61226 FOR TERMINATION PROCEDURE INSTRUCTIONS EXCEPT THE STRIP LENGTH TO BE AS SHOWN ON PAGE# 3.

* THIS CABLE MAY REQUIRE THE USE OF THE METAL TOOL FOR PROPER HANDLING.

**If this document is printed it becomes uncontrolled.
Check with the web for latest revision.**

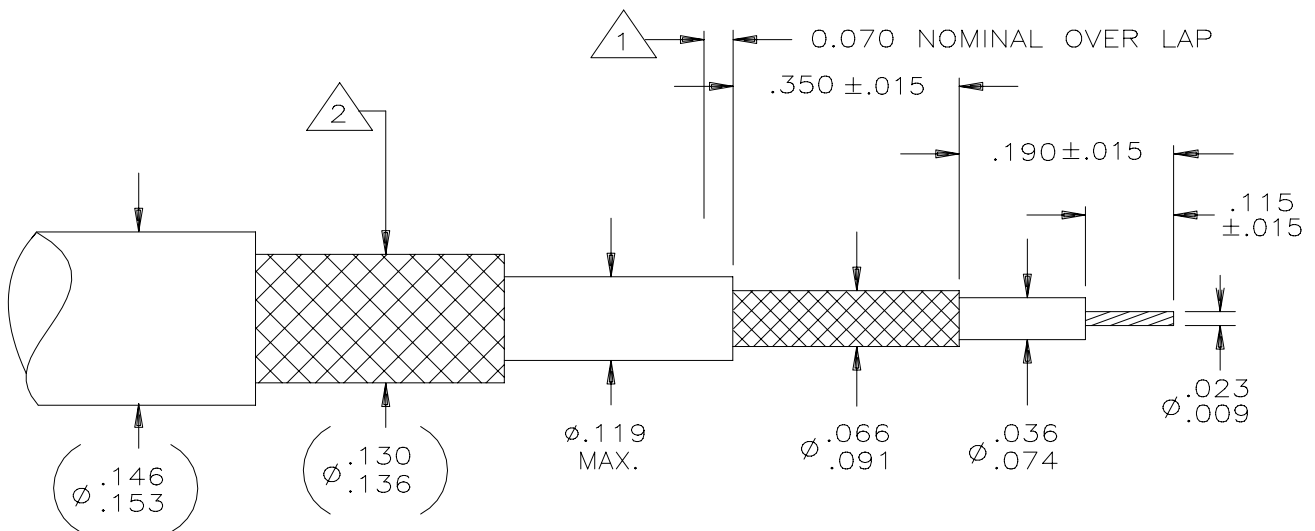
DOCUMENT NUMBER: D-602-0140-C8898	
CAD NAME: T29713B.DWG	SHEET 2 of 5

SPECIFICATION CONTROL DRAWING

ASSEMBLY INSTRUCTIONS

1. STRIP CABLE AS SHOWN. PRE-TIN CENTER CONDUCTOR.
2. INSERT CABLE INTO CONTACT UNTIL IT IS FULLY SEATED.
3. HEAT CONTACT WITH APPROPRIATE TOOLS AS SHOWN ON TABLE II UNTIL SOLDER MELTS AND FLOWS AND STRAIN RELIEF TUBING CONFORMS TO CABLE.
4. CABLE ACCOMMODATION: THIS CONTACT WILL ACCOMMODATE CABLES WITH THESE DIMENSIONS.

PREPARATION OF INNER TRIAXIAL CABLE



CABLE PREPARATION FOR
STRAIGHT SHIELD

1 AFTER TERMINATION THE CABLE SUPPORT TUBING WILL OVERLAP THE INNER JACKET BY 0.070 NOMINAL.

2 OUTER BRAID IS TERMINATED BY OTHER MEANS

**If this document is printed it becomes uncontrolled.
Check with the web for latest revision.**

DOCUMENT NUMBER: D-602-0140-C8898	
CAD NAME: T29713C.DWG	SHEET 3 of 5

SPECIFICATION CONTROL DRAWING

CONTACT ENGAGEMENT AND SEPARATION FORCES (INNER SOCKET CONTACT ONLY): THE ENGAGEMENT DEPTH SHALL BE AS ENCOUNTERED IN NORMAL SERVICE. THE TEST PINS SHALL BE IN ACCORDANCE WITH MS3197 EXCEPT THE DIAMETERS SHALL BE AS SPECIFIED IN THE FOLLOWING, AND SURFACE ROUGHNESS SHALL NOT EXCEED 3 MICROINCHES. PROVISIONS FOR CLEARANCE HOLE SHALL BE PROVIDED.

TABLE III

TEST PIN DIAMETER (INCH)	MINIMUM SEPARATION FORCE (OUNCES)		MAXIMUM ENGAGEMENT FORCE (OUNCES)	
	INITIAL	AFTER CONDITIONING	INITIAL	AFTER CONDITIONING
.0155 $\begin{matrix} +.0002 \\ -.0000 \end{matrix}$	N/A	N/A	12.0	14.0
.0145 $\begin{matrix} +.0000 \\ -.0002 \end{matrix}$	0.5	0.4	N/A	N/A

DIELECTRIC WITHSTANDING VOLTAGE (APPLIED BETWEEN INNER AND OUTER CONTACT):
TEST VOLTAGE:

AT SEA LEVEL: 800 VAC. RMS.
AT 50,000 FEET: 250 VAC. RMS.

CONTACT RESISTANCE: SEE TABLE IV.

TABLE IV. CONTACT RESISTANCE

TEST CABLE	MAXIMUM VOLTAGE DROP (MILLIVOLTS)						TEST CURRENT (AMPS)	
	$25^{\circ} \begin{matrix} +3^{\circ} \\ -0^{\circ} \end{matrix} C$		$25^{\circ} \begin{matrix} +3^{\circ} \\ -0^{\circ} \end{matrix} C$ <u>3/</u>		$125^{\circ} \begin{matrix} +3^{\circ} \\ -0^{\circ} \end{matrix} C$			
	CONTACT		CONTACT		CONTACT		CONTACT	
	INNER	OUTER	INNER	OUTER	INNER	OUTER	INNER	OUTER
RAYCHEM 10598-30-9X	60	54	72	65	90	81	1.0	7.5

3/ AFTER CONDITIONING.

**If this document is printed it becomes uncontrolled.
Check with the web for latest revision.**

SPECIFICATION CONTROL DRAWING

LOW SIGNAL LEVEL CONTACT RESISTANCE (INNER CONTACT ONLY): SEE TABLE V.
TENSILE STRENGTH (INNER AND OUTER CONTACT SOLDER JOINT): SEE TABLE V.

TABLE V. LOW SIGNAL LEVEL CONTACT RESISTANCE
(INNER CONTACT ONLY) AND TENSILE STRENGTH

TEST CABLE	MAXIMUM CONTACT RESISTANCE (MILLIOHMS)		MINIMUM TENSILE STRENGTH (POUNDS)	
	INITIAL	AFTER CONDITIONING	INNER CONTACT	OUTER CONTACT
RAYCHEM 10598-30-9X	66	80	3.5	20.0

MATERIAL:	CONTACT BODY	BERYLLIUM COPPER, ALLOY 173, CONDITION H PER ASTM B196
	INNER CONTACT	BERYLLIUM COPPER, ALLOY 173, CONDITION H PER ASTM B196
	PLATING (CONTACT BODY AND INNER CONTACT)	GOLD PLATE PER MIL-G-45204 TYPE II, GRADE C 50 MICROINCHES MINIMUM OVER NICKEL PER QQ-N-290A 50 MICROINCHES MINIMUM OVER COPPER STRIKE - 40 MICROINCHES MAXIMUM
	SOLDER	Sn63 PER QQ-S-571
	FLUX	TYPE RMA PER QQ-S-571
	SHRINK TUBING	HEAT-SHRINKABLE, RADIATION-CROSSLINKED POLYVINYLIDENE FLUORIDE
	DIELECTRIC	ETFE FLUOROPOLYMER PER ASTM D3159

SHIPPING FIGURE 1 INDICATES THE ONE-PIECE ASSEMBLY. TERMINATION INSTRUCTIONS ARE TO BE SHIPPED WITH THE UNIT PACKAGE.

**If this document is printed it becomes uncontrolled.
Check with the web for latest revision.**



Компания «ЭлектроПласт» предлагает заключение долгосрочных отношений при поставках импортных электронных компонентов на взаимовыгодных условиях!

Наши преимущества:

- Оперативные поставки широкого спектра электронных компонентов отечественного и импортного производства напрямую от производителей и с крупнейших мировых складов;
- Поставка более 17-ти миллионов наименований электронных компонентов;
- Поставка сложных, дефицитных, либо снятых с производства позиций;
- Оперативные сроки поставки под заказ (от 5 рабочих дней);
- Экспресс доставка в любую точку России;
- Техническая поддержка проекта, помощь в подборе аналогов, поставка прототипов;
- Система менеджмента качества сертифицирована по Международному стандарту ISO 9001;
- Лицензия ФСБ на осуществление работ с использованием сведений, составляющих государственную тайну;
- Поставка специализированных компонентов (Xilinx, Altera, Analog Devices, Intersil, Interpoint, Microsemi, Aeroflex, Peregrine, Syfer, Eurofarad, Texas Instrument, Miteq, Cobham, E2V, MA-COM, Hittite, Mini-Circuits, General Dynamics и др.);

Помимо этого, одним из направлений компании «ЭлектроПласт» является направление «Источники питания». Мы предлагаем Вам помощь Конструкторского отдела:

- Подбор оптимального решения, техническое обоснование при выборе компонента;
- Подбор аналогов;
- Консультации по применению компонента;
- Поставка образцов и прототипов;
- Техническая поддержка проекта;
- Защита от снятия компонента с производства.



Как с нами связаться

Телефон: 8 (812) 309 58 32 (многоканальный)

Факс: 8 (812) 320-02-42

Электронная почта: org@eplast1.ru

Адрес: 198099, г. Санкт-Петербург, ул. Калинина, дом 2, корпус 4, литера А.