

## 3A, 16V Driver Transistor Built-In Step-Down DC/DC Converter

GreenOperation Compatible

## GENERAL DESCRIPTION

The XCM526 series is a multi-module IC which includes a step-down DC/DC controller IC and P-channel power MOSFET. The IC enables a high efficiency, stable power supply with an output current up to 3A. Low ESR electrolytic capacitors such as an OS-CON aluminum solid capacitor, a tantalum Neo capacitor can be used as an output capacitor. In case of using a ceramic capacitor, RSENSE is needed to be placed on.

The XCM526 series has a 0.9V ( $\pm 1.5\%$ ) reference voltage, and using externally connected resistors, the output voltage can be set freely. With an internal switching frequency of 500kHz and 1.0MHz, small external components can also be used. The XCM526A has a fixed PWM control for low output voltage ripple, and the XCM526B has a PWM/PFM control, which automatically switches from PWM to PFM during light loads and high efficiencies can be achieved over a wide range of load conditions. As for the soft-start time, there are two types, one is internally set to 4ms and the other can be externally set-up. With the built-in UVLO (Under Voltage Lock Out) function, the internal P-channel driver transistor is forced OFF when input voltage becomes 2.3V (TYP.) or lower.

## APPLICATIONS

LCD TVs  
DSC/DVCs  
Portable games  
Portable equipments

## FEATURES

## &lt;DC/DC Block&gt;

**Operating Voltage Range** : 4.0V ~ 16.0V  
**Output Voltage Externally Set Range** : 1.2V ~ (standard 0.9V  $\pm 1.5\%$ )  
**Maximum Output Current** : 3.0A  
**Oscillation Frequency** : 500kHz, 1.0MHz  
**Control Methods** : PWM control (XCM526A)  
PWM/PFM automatic switching (XCM526B)

**Soft-Start Function**

: 4ms internally fixed and externally set

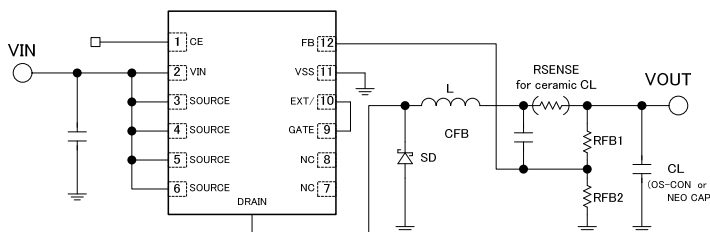
**Protection Circuits**

: Short-circuit protection

## &lt;Power MOSFET Block&gt;

**ON Resistance** : 70m $\Omega$  ( $V_{GS}=-4.5V$ )  
47m $\Omega$  ( $V_{GS}=-10.0V$ )  
**Package** : USP-12B01 (2.3mm x 2.8mm)  
**Environmentally Friendly** : EU RoHS Compliant, Pb Free

## TYPICAL APPLICATION CIRCUIT

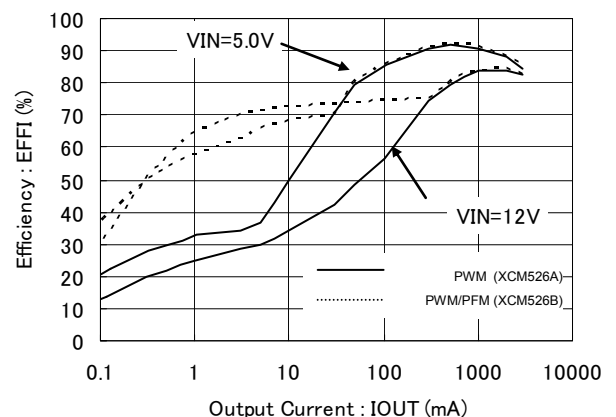


(TOP VIEW)

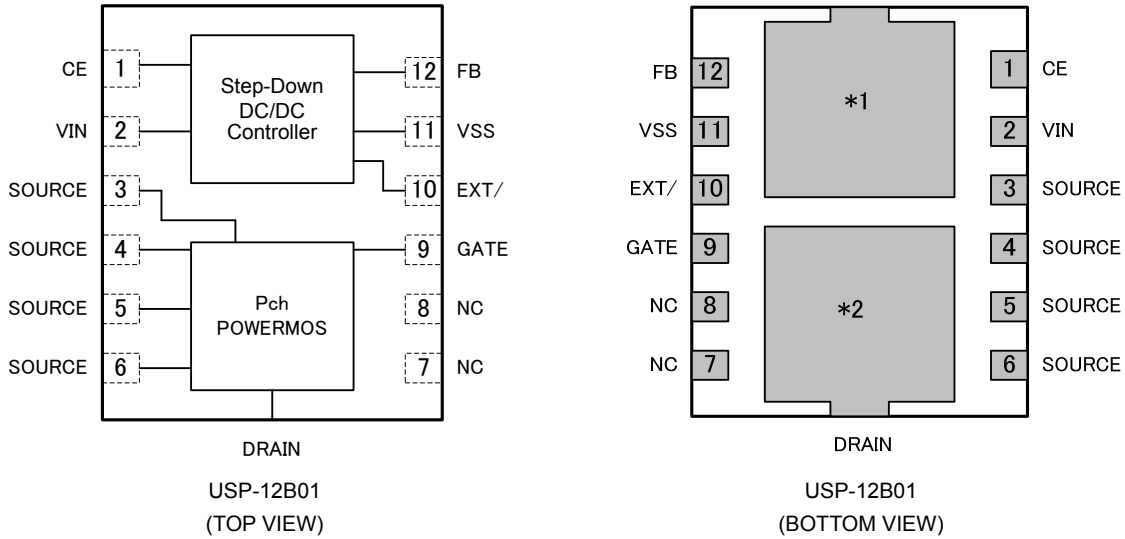
## TYPICAL PERFORMANCE CHARACTERISTICS

## XCM526Ax/Bx9Axx

SBD:CLS01, L=SLF10165T-4.7  $\mu$ H  
CIN=22  $\mu$ F (ceramic), CL=47  $\mu$ F (ceramic), RSENSE=50m $\Omega$   
VOUT=3.3V



## PIN CONFIGURATION



**NOTE:**

\* A dissipation pad on the back side should be electrically isolated between the two chips.

\*1: Voltage level of the DC/DCs' dissipation pad should be  $V_{SS}$  level.

\*2: P-channel Power MOS should be DRAIN level.

Care must be taken for a voltage level of each dissipation pad so as to enhance mounting strength and thermal release when the pad needs to be connected to the circuit.

## PIN ASSIGNMENT

PIN No.	PIN NAME	FUNCTION
1	CE	DC/DC Block, Chip Enable
2	VIN	DC/DC Block, Power Supply
3	SOURCE	POWER MOS SOURCE
4	SOURCE	POWER MOS SOURCE
5	SOURCE	POWER MOS SOURCE
6	SOURCE	POWER MOS SOURCE
7	NC	No Connection
8	NC	No Connection
9	GATE	POWER MOS GATE
10	EXT/	DC/DC Block, Transistor Drive
11	VSS	DC/DC Block, Ground
12	FB	DC/DC Block, Output Voltage Sense
Back Side TAB <sup>(*)2)</sup>	DRAIN	POWER MOS DRAIN

# PRODUCT CLASSIFICATION

## Ordering Information

XCM526A - (\*1): PWM control  
 XCM526B - (\*1): PWM/PFM automatic switching control

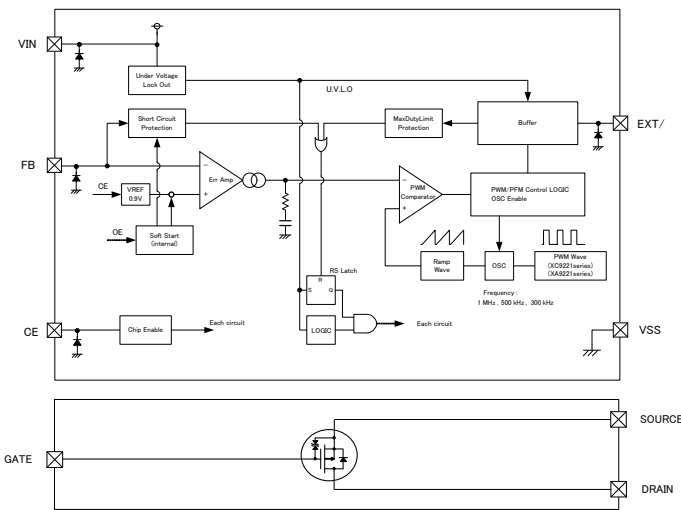
DESIGNATOR	ITEM	SYMBOL	DESCRIPTION
	Type	C	Soft-start internally fixed
		D	Soft-start externally set
	Output Voltage	9	FB Standard Voltage 0.9V ± 1.5%
	Oscillation Frequency (*2)	5	500kHz
		A	1.0MHz
⑤-⑥(*1)	Package (Order Unit)	DR-G	USP-12B01 (3,000/Reel)

(\*1) The XCM526 series is Halogen and Antimony free as well as being fully RoHS compliant.

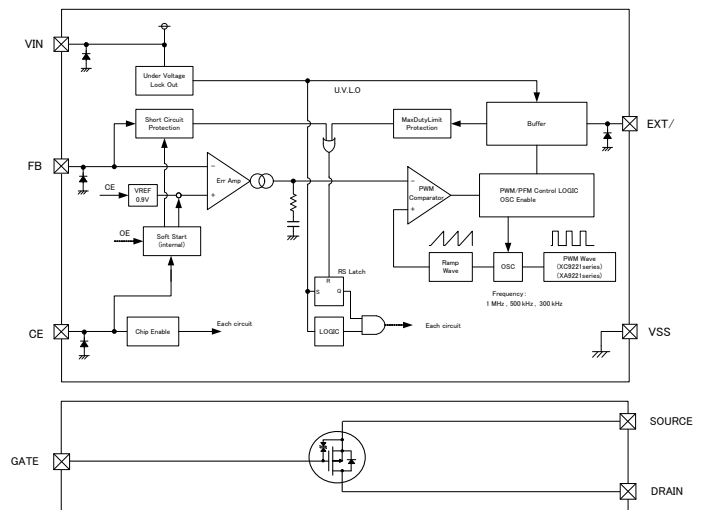
(\*2) For the 300kHz type is semi-custom product. Please contact your local Torex sales office or representative.

## BLOCK DIAGRAMS

XCM526xC Series



XCM526xD Series



\* Diodes inside the circuits are ESD protection diodes and parasitic diodes.

## ABSOLUTE MAXIMUM RATINGS

Ta = 25°C

PARAMETER	SYMBOL	RATINGS	UNITS
V <sub>IN</sub> Pin Voltage	V <sub>IN</sub>	- 0.3 ~ + 18	V
FB Pin Voltage	V <sub>FB</sub>	- 0.3 ~ + 18	V
CE Pin Voltage	V <sub>CE</sub>	- 0.3 ~ + 18	V
EXT/ Pin Voltage	V <sub>EXT/</sub>	- 0.3 ~ V <sub>IN</sub> + 0.3	V
EXT/ Pin Current	I <sub>EXT/</sub>	± 100	mA
Drain-Source Voltage	V <sub>DSS</sub>	-30	V
Gate-Source Voltage	V <sub>GSS</sub>	±20	V
Drain Current (DC)	I <sub>D</sub>	-5	A
Drain Current (Pulse) <sup>(*)</sup>	I <sub>DP</sub>	-12	A
Power Dissipation	USP-12B01	150	mW
	USP-12B01 (PCB mounted) <sup>(**)</sup>	800 (1ch operation)	
		600 (2ch operation)	
Operating Temperature Range	Topr	- 40 ~ + 85	°C
Storage Temperature Range	Tstg	- 55 ~ +125	°C

(\*) PW 10 μs, duty cycle 1%

(\*\*) The power dissipation figure shown is a reference data taken on board mounting. Please refer to page 26 for details.  
Also, the power dissipation value above is for each channel.

## ELECTRICAL CHARACTERISTICS

XCM526AC/BC Series (DC/DC Controller)

Ta=25

PARAMETER	SYMBOL	CONDITIONS	MIN.	TYP.	MAX.	UNITS	CIRCUIT
FB Voltage	V <sub>FB</sub>		0.8865	0.9000	0.9135	V	
Input Voltage Range	V <sub>IN</sub>		4.0	-	16.0	V	-
UVLO Voltage (Minimum Operating Voltage)	V <sub>UVLO</sub>		1.9	2.3	2.7	V	
Supply Current 2	I <sub>DD2</sub>	V <sub>IN</sub> =5.0V, V <sub>FB</sub> =1.0V	* See the Oscillation Frequency chart below.			μA	
Stand-by Current	I <sub>STB</sub>		-	0.1	1.0	μA	
Oscillation Frequency	f <sub>OSC</sub>	Connected to an external components	* See the Oscillation Frequency chart below.			kHz	
Maximum Duty Ratio	D <sub>MAX</sub>		100	-	-	%	
PFM Duty Ratio	D <sub>PFM</sub>	No load (XCM526B)	15	25	35	%	
EXT/ High ON Resistance	R <sub>EXTBH</sub>		6	10	16	Ω	
EXT/ Low ON Resistance	R <sub>EXTBL</sub>		6	12	20	Ω	
Short-Circuit Protection	V <sub>SHORT</sub>		-	-	0.7	V	
Soft-Start Time	t <sub>SS</sub>		* See the Oscillation Frequency chart below.			ms	
Efficiency <sup>(*1)</sup>	EFFI	I <sub>OUT</sub> =500mA	-	92	-	%	
FB Voltage Temperature Characteristics	ΔV <sub>FB</sub> / (ΔT <sub>opr</sub> ·V <sub>FB</sub> )		-	±100	-	ppm/	
CE "High" Level Voltage	V <sub>CEH</sub>		1.2	-	-	V	
CE "Low" Level Voltage	V <sub>CEL</sub>		-	-	0.3	V	
CE "High" Level Current	I <sub>CEH</sub>	V <sub>IN</sub> =V <sub>CE</sub> =16V	-0.1	-	0.1	μA	
CE "Low" Level Current	I <sub>CEL</sub>	V <sub>IN</sub> =16V, V <sub>CE</sub> =0V	-0.1	-	0.1	μA	
FB "High" Level Current	I <sub>FBH</sub>	V <sub>IN</sub> =V <sub>FB</sub> =16V	-0.1	-	0.1	μA	
FB "Low" Level Current	I <sub>FBL</sub>	V <sub>IN</sub> =16V, V <sub>FB</sub> =0V	-0.1	-	0.1	μA	

Unless otherwise stated, V<sub>IN</sub>=5.0V

NOTE:

(\*1) EFFI = { (output voltage) x (output current) } / { (input voltage) x (input current) } x 100

## ELECTRICAL CHARACTERISTICS (Continued)

XCM526AD/BD Series (DC/DC Controller)

Ta=25

PARAMETER	SYMBOL	CONDITIONS	MIN.	TYP.	MAX.	UNITS	CIRCUIT
FB Voltage	V <sub>FB</sub>		0.8865	0.9000	0.9135	V	
Input Voltage Range	V <sub>IN</sub>		4.0		16.0	V	-
UVLO Voltage (Minimum Operating Voltage)	V <sub>UVLO</sub>		1.9	2.3	2.7	V	
Supply Current 2	I <sub>DD2</sub>	V <sub>IN</sub> =5.0V, V <sub>FB</sub> =1.0V	* See the Oscillation Frequency chart below.			μA	
Stand-by Current	I <sub>STB</sub>			0.1	1.0	μA	
Oscillation Frequency	f <sub>OSC</sub>	Connected to an external components	* See the Oscillation Frequency chart below.			kHz	
Maximum Duty Ratio	D <sub>MAX</sub>		100			%	
PFM Duty Ratio	D <sub>PFM</sub>	No load (XCM526B)	15	25	35	%	
EXT/ High ON Resistance	R <sub>EXTBH</sub>		6	10	16	Ω	
EXT/ Low ON Resistance	R <sub>EXTBL</sub>		6	12	20	Ω	
Short-Circuit Protection	V <sub>SHORT</sub>				0.7	V	
Soft-Start Time	t <sub>SS</sub>	Connected to R <sub>SS</sub> and C <sub>SS</sub>	5.0	10.0	20.0	ms	
Internal Soft-Start Time <sup>(*)</sup>	t <sub>SS_IN</sub>	V <sub>CE</sub> =V <sub>IN</sub>	* See the Oscillation Frequency chart below.			ms	
Efficiency <sup>(**)</sup>	EFFI	I <sub>OUT</sub> =500mA		92		%	
FB Voltage Temperature Characteristics	ΔV <sub>FB</sub> / (ΔT <sub>opr</sub> ·V <sub>FB</sub> )			±100		ppm/	
CE "High" Level Voltage <sup>(***)</sup>	V <sub>CEH</sub>		2.6			V	
CE "Low" Level Voltage	V <sub>CEL</sub>				0.3	V	
CE "High" Level Current	I <sub>CEH</sub>	V <sub>IN</sub> =V <sub>CE</sub> =16V	-0.1		0.1	μA	
CE "Low" Level Current	I <sub>CEL</sub>	V <sub>IN</sub> =16V, V <sub>CE</sub> =0V	-0.1		0.1	μA	
FB "High" Level Current	I <sub>FBH</sub>	V <sub>IN</sub> =V <sub>FB</sub> =16V	-0.1		0.1	μA	
FB "Low" Level Current	I <sub>FBL</sub>	V <sub>IN</sub> =16V, V <sub>FB</sub> =0V	-0.1		0.1	μA	

Unless otherwise stated, V<sub>IN</sub>=5.0V

External components: C<sub>SS</sub>=0.1 μF, R<sub>SS</sub>=200kΩ

NOTE:

(\*) Internal soft-start time: In case where the UVLO function operates temporarily due to the power cutoff etc. The IC restarts operation by the internal soft-start time. Minimum value of soft-start time set externally is equal to the internal soft-start time under the condition of charged external C<sub>SS</sub> (V<sub>CE</sub> 2.6V).

(\*\*) EFFI={ (output voltage) x (output current) } / { (input voltage) x (input current) } x 100

(\*\*\*) The integral latch and short-circuit protection do not operate while when the CE/CSS pin voltage is lower than 2.6V (while a soft-start time).

## CHARACTERISTICS CHART BY OSCILLATION FREQUENCY

PARAMETER	SYMBOL	500kHz			1.0MHz		
		MIN.	TYP.	MAX.	MIN.	TYP.	MAX.
Supply Current 2	I <sub>DD2</sub>	-	25	50	-	40	80
Oscillation Frequency	f <sub>OSC</sub>	425	500	575	850	1000	1150
Soft-Start Time	t <sub>SS</sub>	2	4	8	1	2	4

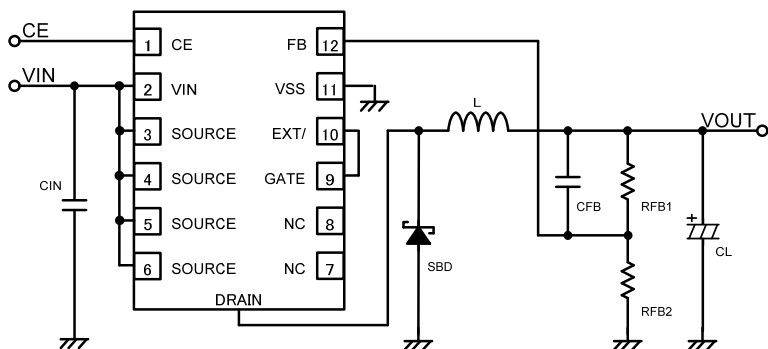
## ELECTRICAL CHARACTERISTICS (Continued)

XCM526 Series (P-ch MOSFET)

PARAMETER	SYMBOL	CONDITIONS	MIN.	TYP.	MAX.	UNITS	CIRCUIT
Drain-Source Breakdown Voltage	$V_{(BR)DSS}$	$I_D=-1mA, V_{GS}=0V$	-30	-	-	V	
Drain-Source Cutoff Current	$I_{GSS}$	$V_{DS}=-30V, V_{GS}=0V$	-	-	-1	$\mu A$	
Gate-Source Leakage Current	$I_{GSS}^+$	$V_{GS}=16V, V_{DS}=0V$	-	-	10	$\mu A$	
	$I_{GSS}^-$	$V_{GS}=-16V, V_{DS}=0V$	-	-	-10	$\mu A$	
Drain-Source Breakdown Voltage	$V_{GS(off)}$	$V_{DS}=-10V, I_D=-1mA$	-1.2	-	-2.6	V	
Forward Transfer Admittance <sup>(*)</sup>	$ y_{fs} $	$V_{DS}=-10V, I_D=-3A$	-	8.0	-	S	
Drain-Source On-Resistance <sup>(*)</sup>	$R_{DS(ON)1}$	$I_D=-3A, V_{GS}=-10V$	-	47	59	m	
	$R_{DS(ON)2}$	$I_D=-1.5A, V_{GS}=-4.5V$	-	70	100	m	
	$R_{DS(ON)3}$	$I_D=-1.5A, V_{GS}=-4V$	-	80	113	m	
Input Capacitance	$C_{iss}$	$V_{DS}=-10V, f=1MHz$	-	450	-	pF	
Output Capacitance	$C_{oss}$	$V_{DS}=-10V, f=1MHz$	-	110	-	pF	
Feedback Capacitance	$C_{rss}$	$V_{DS}=-10V, f=1MHz$	-	80	-	pF	
Turn On Delay Time	$t_{d(on)}$	$I_D=-3A$	-	7	-	ns	
Rising Time	$t_r$	$I_D=-3A$	-	8	-	ns	
Turn Off Delay Time	$t_{d(off)}$	$I_D=-3A$	-	31	-	ns	
Falling Time	$t_f$	$I_D=-3A$	-	6	-	ns	
Total Gate Charge <sup>(*)</sup>	$Q_g$	$V_{DS}=-15V, V_{GS}=-10V, I_D=-5A$	-	10	-	nC	
Gate-Source Charge <sup>(*)</sup>	$Q_{gs}$	$V_{DS}=-15V, V_{GS}=-10V, I_D=-5A$	-	1.5	-	nC	
Gate-Drain Charge <sup>(*)</sup>	$Q_{gd}$	$V_{DS}=-15V, V_{GS}=-10V, I_D=-5A$	-	2.5	-	nC	
Diode Forward Voltage <sup>(*)</sup>	$V_{SD}$	$I_S=-5A, V_{GS}=0V$	-	-0.9	-1.2	V	

(\*1) Pulse condition:  $PW \leq 250 \mu s$ , duty cycle  $\leq 1\%$

## TYPICAL APPLICATION CIRCUITS



### <External Components>

SBD : CLS01(TOSHIBA)

L : SLF10165T-4R7N4R73PF(4.7 μH,TDK/ fosc=1.0MHz)

RLF12545T-100M5R1(10 μH,TDK / fosc=500kHz)

CIN : 22 μF(EMK316BJ226ML /YUDEN)

CL : 47 μF or higher

(10SVP47M /SANYO fosc=500kHz, 1.0MHz)

### Output Voltage Setting

Output voltage can be set by adding split resistors. Output voltage is determined by the following equation, based on the values of RFB1 and RFB2. The sum of RFB1 and RFB2 should normally be 1M or less.

$$V_{OUT} = 0.9 \times (R_{FB1} + R_{FB2}) / R_{FB2} \dots$$

The value of CFB, speed-up capacitor for phase compensation, should be adjusted by the following equation. fzfb should usually be 5kHz. Adjustments are required from 1kHz to 20kHz depending on the application, value of inductance (L), and value of load capacitance (CL).

$$C_{FB} = 1 / (2 \times \pi \times R_{FB1} \times f_{zfb}) \dots$$

[Sample calculation: to set VOUT=3.3V]

$$R_{FB1} = 200k, R_{FB2} = 75k, V_{OUT} = 0.9 \times (200k + 75k) / 75k = 3.300V$$

$$C_{FB} = 1 / (2 \times \pi \times 200k \times 5k) = 150pF$$

### [Typical examples]

V <sub>OUT</sub> (V)	R <sub>FB1</sub> (k )	R <sub>FB2</sub> (k )	C <sub>FB</sub> (pF)	V <sub>OUT</sub> (V)	R <sub>FB1</sub> (k )	R <sub>FB2</sub> (k )	C <sub>FB</sub> (pF)
1.2	100	300	330	3.3	200	75	150
1.5	180	270	180	5.0	150	33	220
1.8	220	220	150	12.0	160	13	180

### Recommended SBD (Examples)

I <sub>OUT</sub>	UP TO 1A	UP TO 3A
SBD	XBS204S17R ( TOREX ) CMS05 ( TOSHIBA )	CLS01 ( TOSHIBA )

(\*1) SBD should be used with good reverse characteristics.



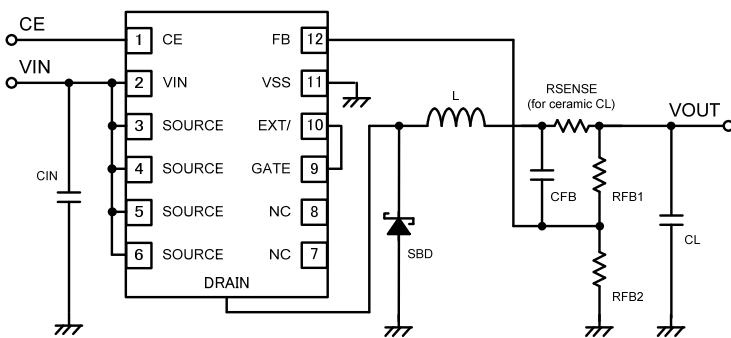
## TYPICAL APPLICATION CIRCUITS (Continued)

### Ceramic Capacitor

With the XCM526 series, a ceramic capacitor can be used as an output capacitor ( $C_L$ ).  $R_{SENSE}$  resistor is required for using the ceramic capacitor. The value of  $R_{SENSE}$  resistor is determined depending on the setting output voltage as the chart below.

	$R_{SENSE}$ (m $\Omega$ )
$V_{OUT} = 2.5V$	100
$V_{OUT} > 2.5V$	50

About the  $C_L$ , please use more than 22  $\mu F$  and B characteristic (JIS standard) or X7R, X5R (EIA standard). Please care about lack of capacitance and voltage-resistant when selecting the external components.



### <External Components>

SBD : CLS01(TOSHIBA)

L : SLF10165T-4R7N4R73PF(4.7  $\mu H$ , TDK / fosc=1.0MHz)

RLF12545T-100M5R1(10  $\mu H$ , TDK / fosc=500kHz)

$C_{IN}$  : 22  $\mu F$  (EMK316BJ226ML/YUDEN)

$C_L$  : 22  $\mu F$  or higher (LMK212BJ226MG/YUDEN fosc=1.0MHz)

47  $\mu F$  or higher (LMK316BJ476ML/YUDEN fosc=500kHz)

$R_{SENSE}$  : 100m $\Omega$  ( $V_{OUT} \leq 2.5V$ )

50m $\Omega$  ( $V_{OUT} > 2.5V$ )

### Selecting an inductor

Recommended inductance value of inductor by oscillation frequency is shown in the chart below.

f <sub>OSC</sub> (kHz)	L ( $\mu H$ )
500	10
1000	4.7

However, the more current change in each pulse becomes larger, the more output ripple voltage becomes higher when dropout voltage is high. This may lead to instability. In this case, increasing the inductance value will make  $I_{PK\_AC}$  small, and it makes output stable.

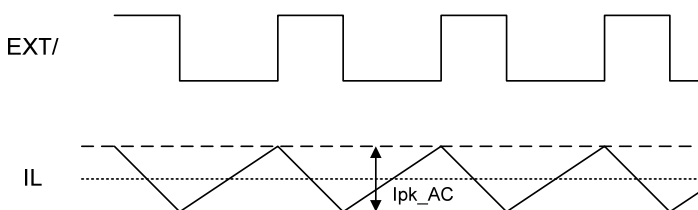
$$I_{PK\_AC} = (V_{IN} - V_{OUT}) \times V_{OUT} / (V_{IN} \times L \times f_{OSC}) \dots$$

L: Inductance value

f<sub>OSC</sub>: Oscillation frequency

Please do not exceed the inductor rating. Inductor peak current is determined by the following equation.

$$I_{PK} = I_{OUT} + I_{PK\_AC} / 2 \dots$$



$I_{OUT}$  : Output Current

$I_L$  : Current flow through a coil

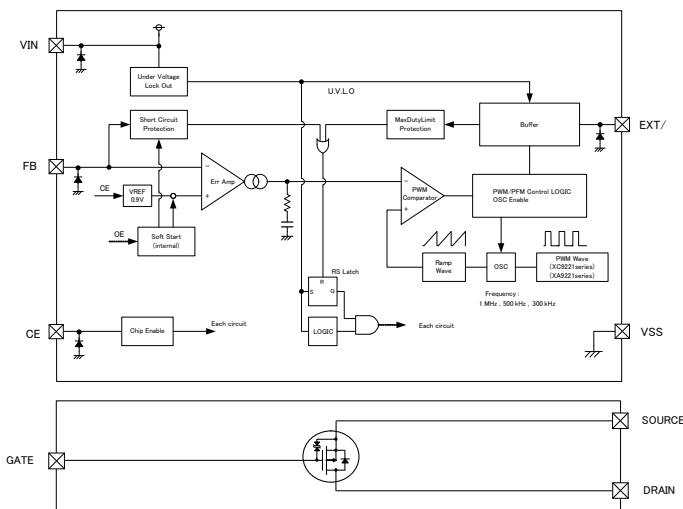
$I_{pk}$  : Peak Current

$I_{pk\_AC}$  : Amount of coil current change in each pulse

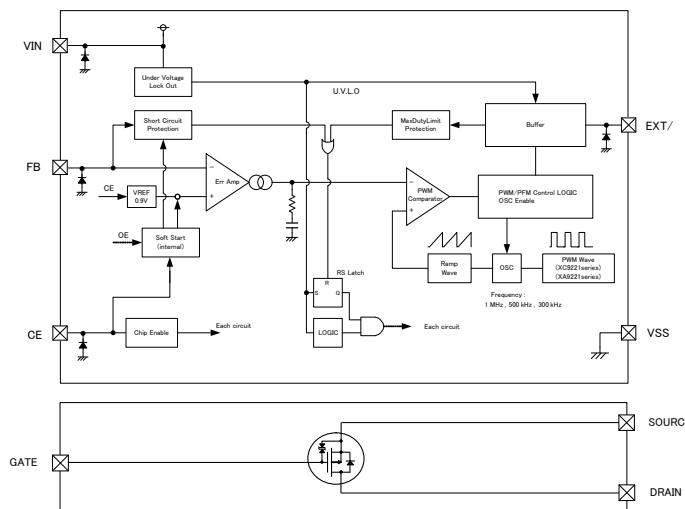
## OPERATIONAL EXPLANATION

The XCM526 series consists of a reference voltage source, ramp wave circuit, error amplifier, PWM comparator, phase compensation circuit, protection circuits, UVLO circuit and others. The IC compares, using the error amplifier, the voltage of the internal voltage reference source with the feedback voltage from the V<sub>OUT</sub> through split resistors. Phase compensation is performed on the resulting error amplifier output, to input a signal to the PWM comparator to determine the turn-on time during PWM operation. The PWM comparator compares, in terms of voltage level, the signal from the error amplifier with the ramp wave from the ramp wave circuit, and delivers the resulting output to the buffer driver circuit to cause the EXT pin to output a switching duty cycle. This process is continuously performed to ensure stable output voltage.

< XCM526xC Series >



< XCM526xD Series >



\* Diodes inside the circuits are ESD protection diodes and parasitic diodes.

### <Reference Voltage Source>

The reference voltage source provides the reference voltage to ensure stable output voltage of the DC/DC converter.

### <Oscillator>

The oscillator determines switching frequency. The frequency is fixed internally and can be selected from 500kHz and 1.0MHz. Clock pulses generated in this circuit are used to produce ramp waveforms needed for PWM operation, and to synchronize all the internal circuits.

### <Error Amplifier>

The error amplifier is designed to monitor output voltage. The amplifier compares the reference voltage with the feedback voltage (FB pin voltage) divided by the internal split resistors. When a voltage lower than the reference voltage is fed back, the output voltage of the error amplifier increases. The gain and frequency characteristics of the error amplifier output are fixed internally to deliver an optimized signal to the PWM comparator.

### <Control Methods>

The XCM526A type is PWM control, and the XCM526B type is PWM/PFM automatic switching control. In the XCM526A type, it is controlled at a constant frequency from light load to heavy load. When a noise is concerned, it is easy to set up a filter. since the frequency is fixed. On the other hand, the efficiency at the time of light load may fall.

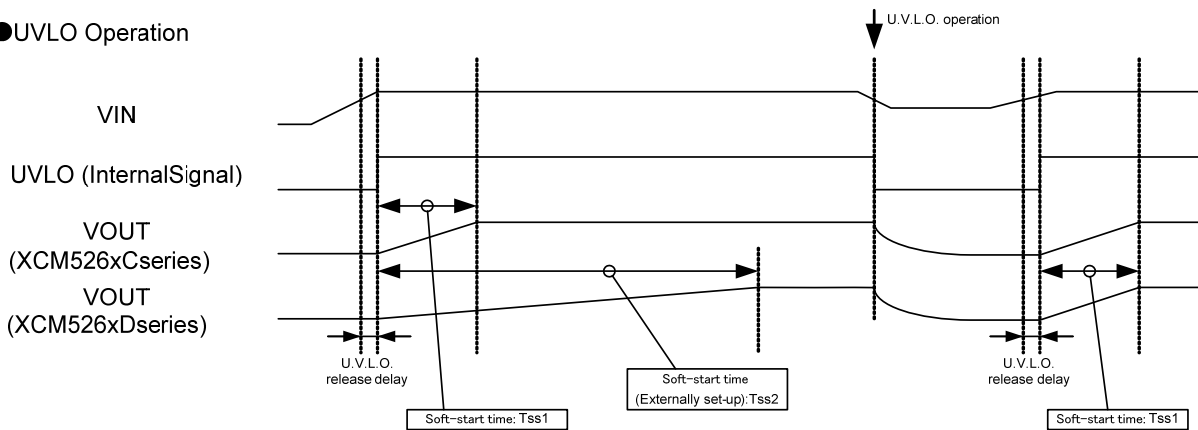
In the XCM526B type, the high efficiency can be drawn from PFM control at the time of light load. In PWM/PFM automatic switching mode, a control method is automatically changed from PWM control to PFM control at the time of light load. If inductor current becomes discontinuous at the time of light load, ON time duty intends to reduce less than 25%. Therefore, the PFM circuit operates to output the pulse, which ON time duty fixed to 25% from the EXT/pin. The ON time duty is fixed when PFM operation. The pulse is output with the cycle suitable for the conditions at that time. In order that the number of times of switching per unit time may decrease, the efficiency, which it is at the light load time is improved. However, pulse period cannot be fixed. For this, the circuit should be designed with considering this point when using a noise filter. The conditions shifting to the PFM operation is depend on values of input voltage, load current, inductance and so on.

## OPERATIONAL EXPLANATION (Continued)

### <UVLO (Under Voltage Lock Out) >

When the input voltage falls below 2.3V (TYP.), the external P-channel driver transistor is forced OFF. Once the UVLO operates, the XCM526xC (soft-start internally fixed) resets the internal circuit. For this, by releasing the UVLO function, the IC performs the soft-start function to initiate output startup operation. As for the XCM526xD (soft-start set externally), when the input voltage falls because of a power cutoff and the IC stops operation due to the UVLO function, the IC resumes its operation by internal soft-start circuit. If the soft-start time is needed to set externally, the CE/Css pin voltage should be reset to 0V. (Please see the soft-start circuit example.)

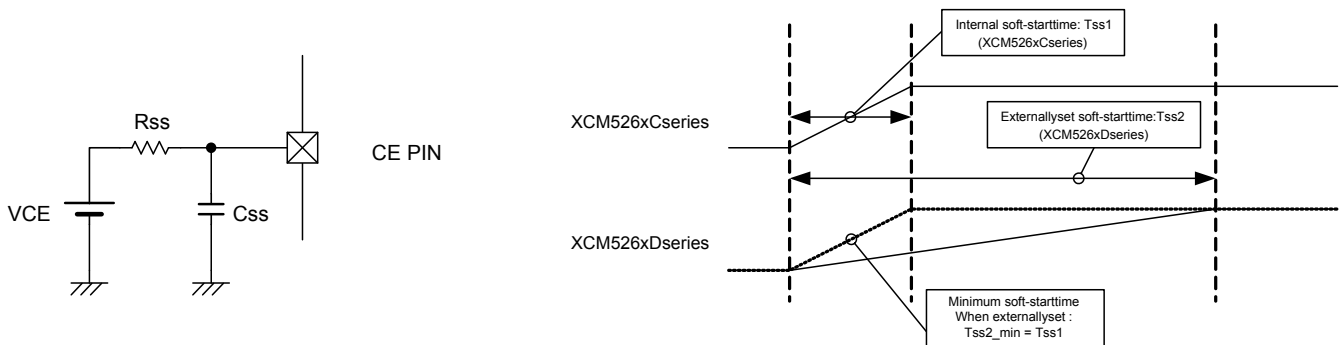
#### ●UVLO Operation



### <Soft-Start Time>

The XCM526xD types can adjust the soft-start time externally via the CE pin. The soft-start function operates until the CE pin voltage becomes 2.6V. Please refer to the following equation for calculating the soft-start time. The soft-start time is depended on  $V_{CE}$ ,  $R_{SS}$  and  $C_{SS}$ . Minimum soft-start time is equal to the time set internally.

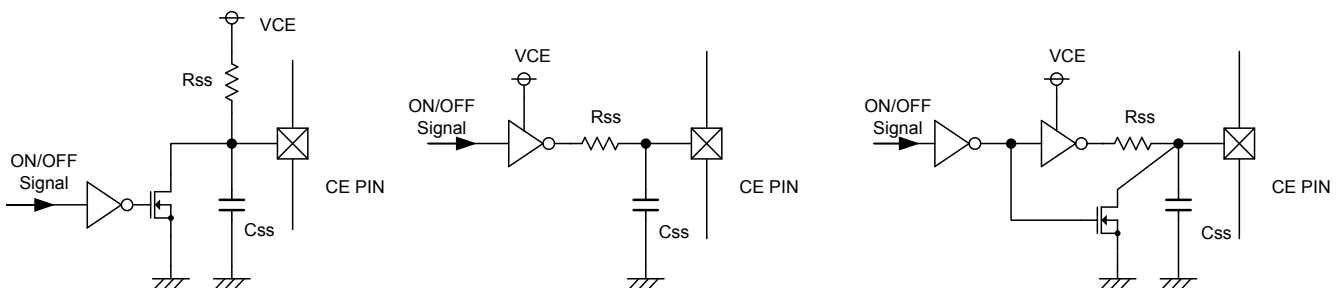
$$t_{SS} = -C_{SS} \times R_{SS} \times \ln \left\{ \frac{(V_{CE} - 2.2)}{V_{CE}} \right\}$$



> Circuit Example1 : N-ch Open Drain

> Circuit Example2 : CMOS logic (low current dissipation)

> Circuit Example3 : CMOS logic (low current dissipation, quick off)



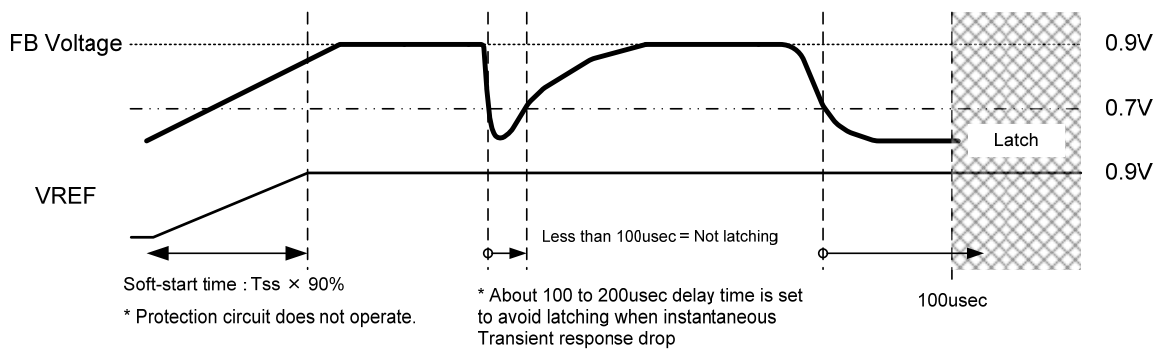
## OPERATIONAL EXPLANATION (Continued)

<Protection Circuits>

### ● Short-Circuit Protection Circuit (Latching Type)

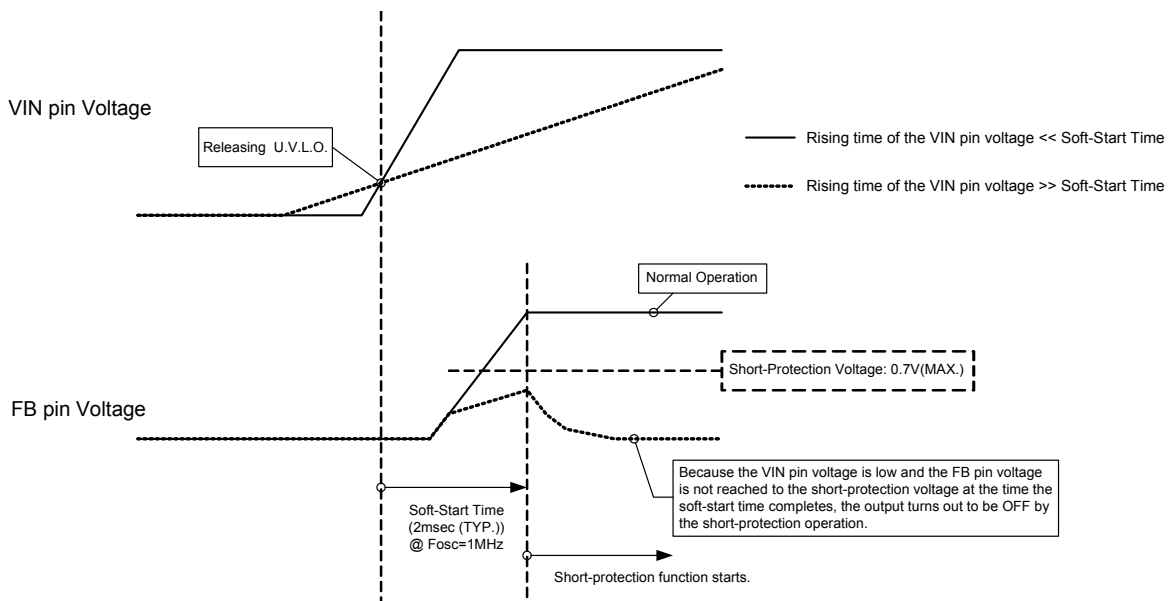
When the FB pin is shorted to Ground or the output voltage drops rapidly because of over load state, the P-ch driver transistor is kept OFF as in the case with the integral protection circuit. (The protection circuit operates when the FB voltage becomes 0.7V or lower.) For releasing the latching state, the circuit is needed to restart via the VIN or the CE pin.

### ● Short-circuit protection circuit



## NOTES ON USE

1. For temporary, transitional voltage drop or voltage rising phenomenon, the IC is liable to malfunction should the ratings be exceeded.
2. The XCM526 series are designed for use with an output ceramic capacitor. If, however, the voltage difference between input and output is too large, a ceramic capacitor may fail to absorb the resulting high switching energy and oscillation could occur on the output. If the input-output voltage difference is large, connect the output capacitor with large performance to compensate for insufficient capacitance.
3. Spike noise and ripple voltage arise in a switching regulator as with a DC/DC converter. These are greatly influenced by external component selection, such as the inductance, capacitance values, and board layout of the external components. Once the design has been completed, verification with actual components should be done.
4. When the difference between input voltage and output voltage is large in PWM control, and the load current is light, very narrow pulses will be output, and there is the possibility that some cycles may be skipped completely.
5. When the difference between input voltage and output voltage is small in PWM control, and the load current is heavy, very wide pulses will be outputted and there is the possibility that some cycles may be skipped completely.
6. When using the CE pin by pulling up to the  $V_{IN}$  pin, please be noted to the rising speed of the  $V_{IN}$  pin voltage. If the rising time of the  $V_{IN}$  pin voltage is much slower than the soft-start time of the XCM526 series, the short-circuit protection starts to operate so that the output may not rise. When the  $V_{IN}$  pin voltage rises slow, please use a voltage detector or something similar to check that the input voltage rises fully. After that, the IC can be started by using the CE pin. Or we recommend the XCM526xD, adjusting the soft-start period externally so that the voltage at the  $V_{IN}$  pin rises fully before the soft-start period is completed.



7. Use of the IC at voltages below the minimum operating voltage may lead to instability.
8. This IC and external components should be used within the stated absolute maximum ratings.
9. Please do not use the XCM526 as the only Power MOSFET.
10. Torex places an importance on improving our products and its reliability.  
 However, by any possibility, we would request user fail-safe design and post-aging treatment on system or equipment.

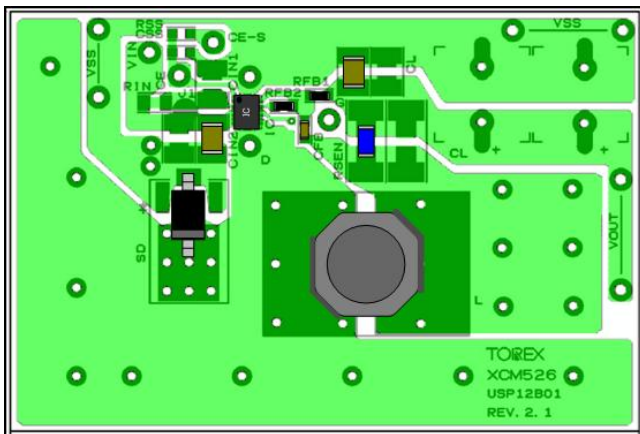
## NOTES ON USE (Continued)

### Instructions on Pattern Layout

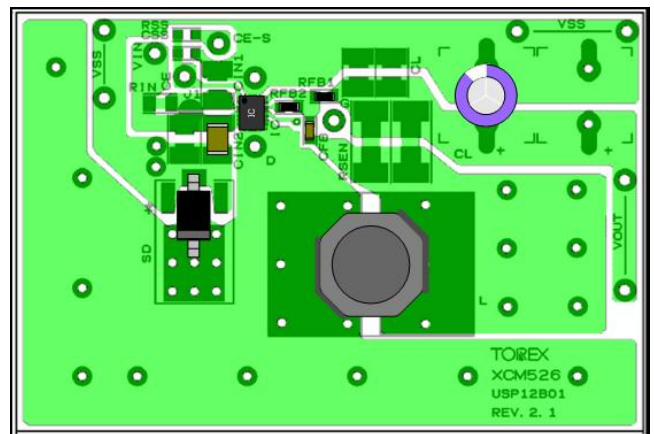
- External components should be placed as close to the IC as possible and use thick, short connecting traces to reduce the circuit impedance.
- Please strengthen  $V_{IN}$  and  $V_{SS}$  wiring. Switching noise which occurs at the  $V_{IN}$  and GND may cause the instability of the IC.  
For that matter, it is recommended to connect  $R_{IN}$  (about  $10\ \Omega$ ) and  $C_{DD}$  (about  $1\ \mu F$ ) to the  $V_{IN}$  pin if  $V_{IN}$  voltage is high and noise is high.
- All of SOURCE pins (No.3, 4, 5, and 6) for P-ch MOSFET should be connected.

### ● Recommended Pattern Layout

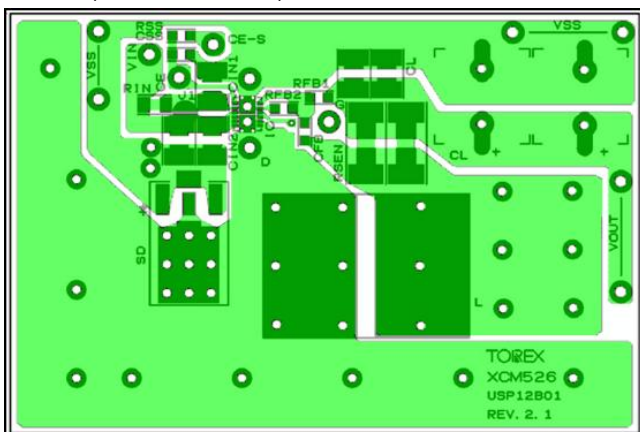
Front (Ceramic Capacitor use)



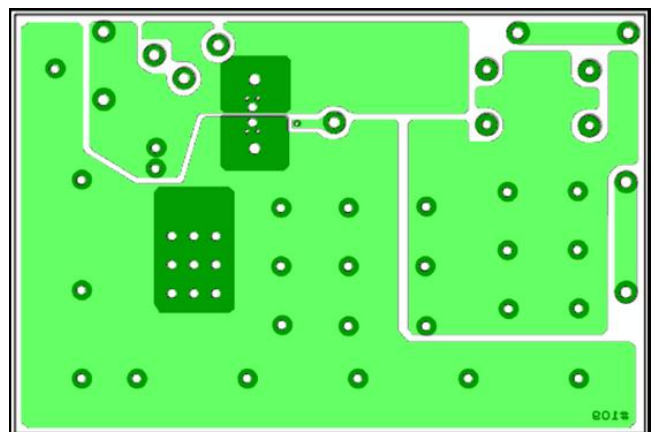
Front (OS Capacitor use)



Front (Unmounted PCB)



Back



### External Components



Inductor



Ceramic Capacitor



Inductor



Low Resistor



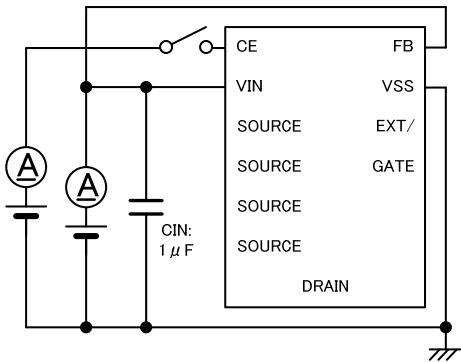
OS Capacitor



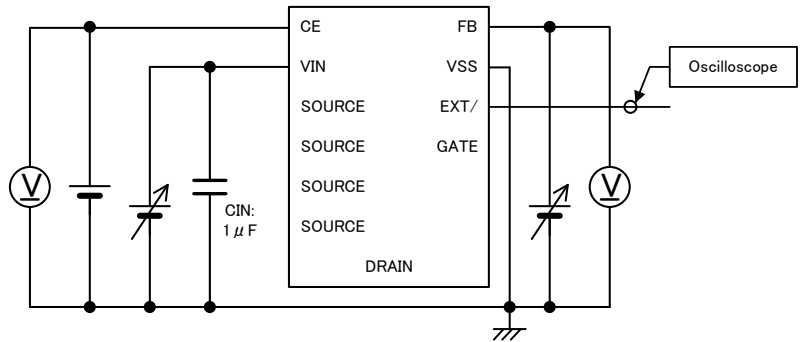
Resistor

# TEST CIRCUITS

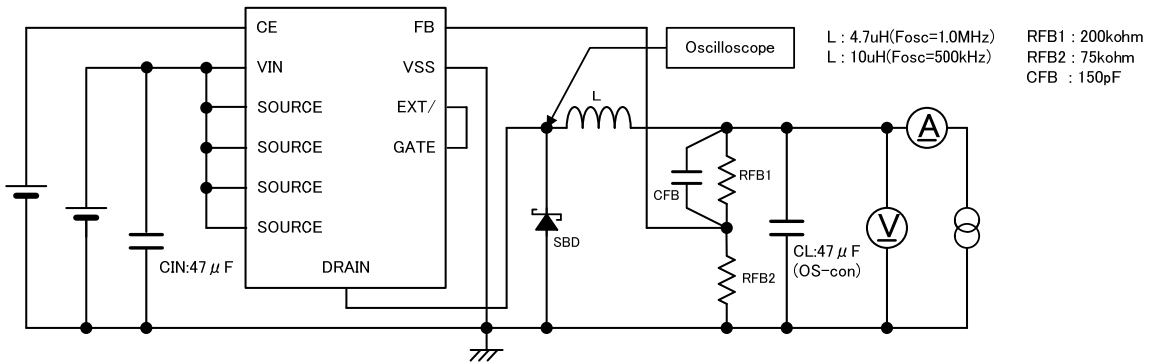
Circuit



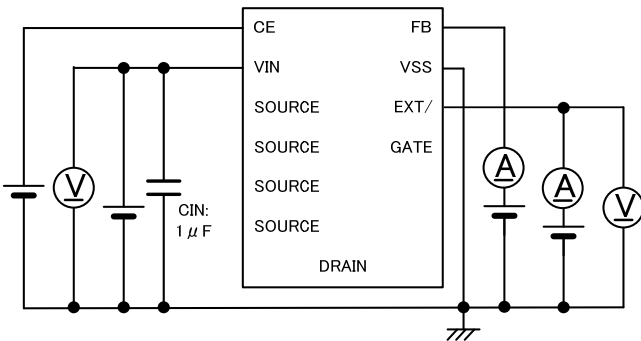
Circuit



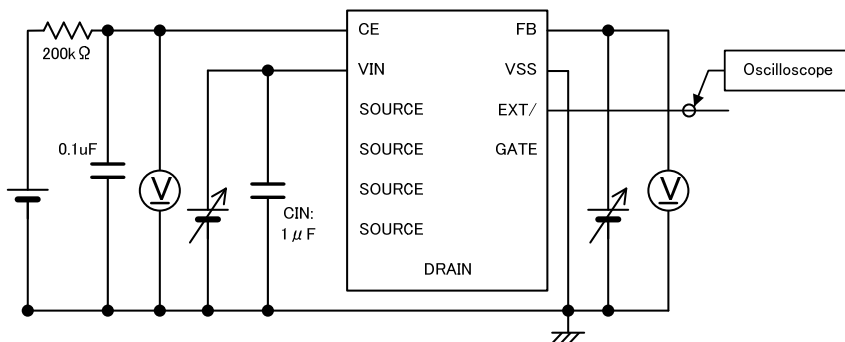
Circuit



Circuit

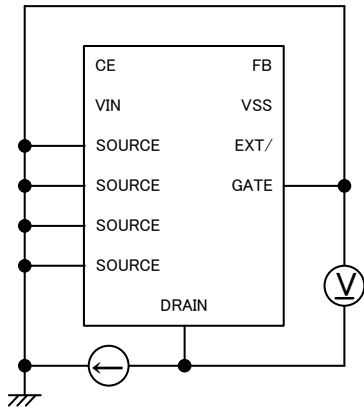


Circuit

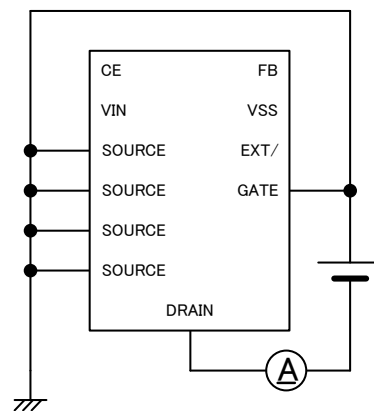


## TEST CIRCUITS (Continued)

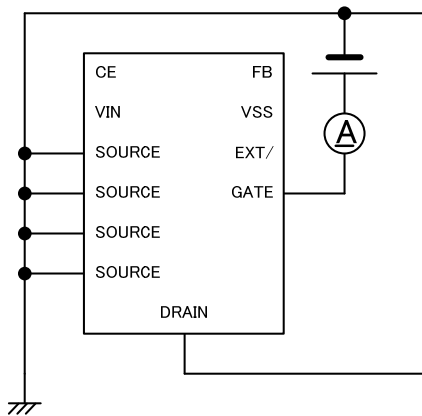
Circuit



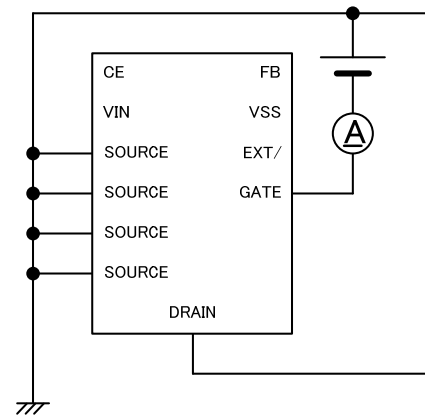
Circuit



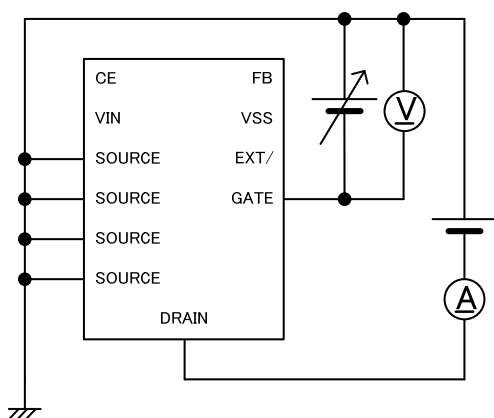
Circuit



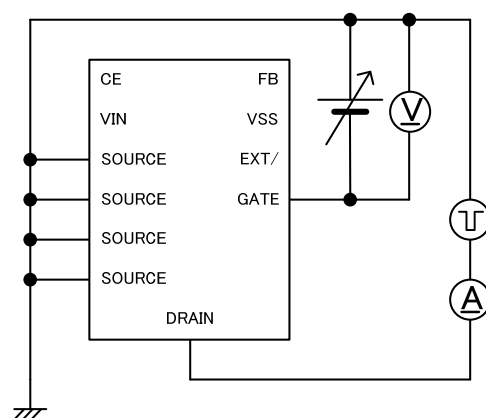
Circuit



Circuit



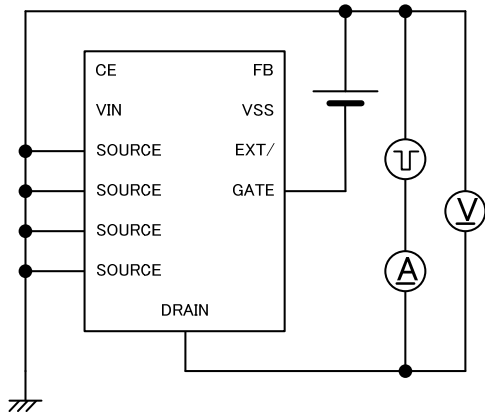
Circuit





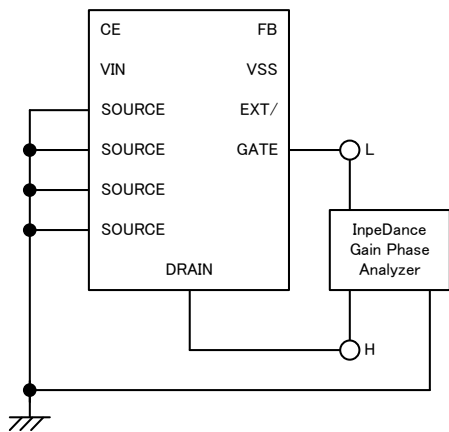
## TEST CIRCUITS (Continued)

Circuit

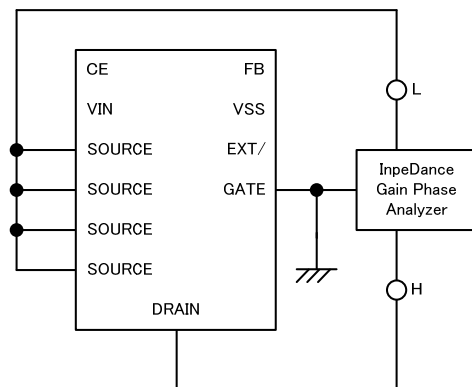


Circuit

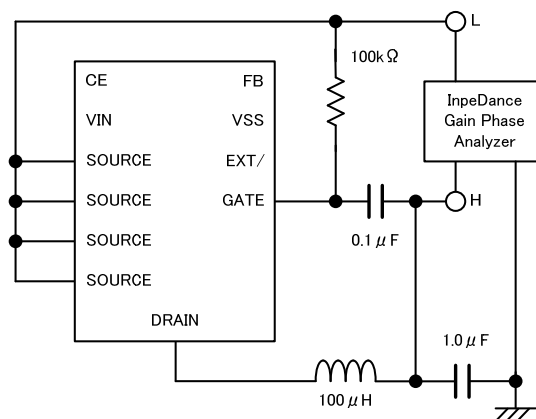
-1



-2



-3

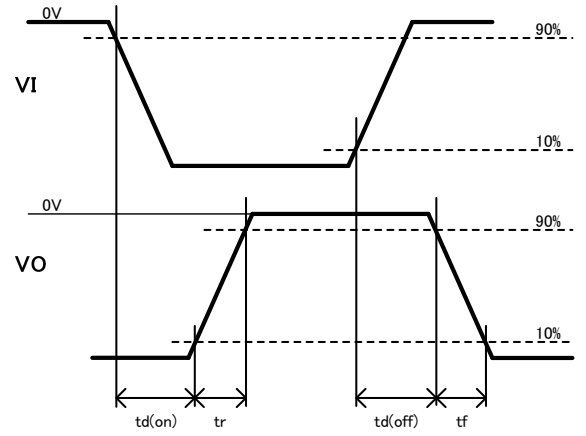
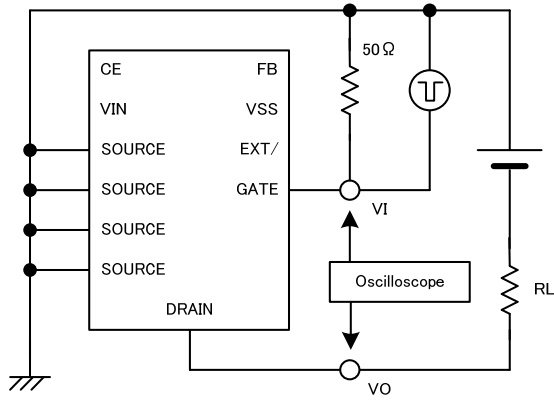


Input Capacitance:  $C_{iss}=C_{gd}+C_{gs}$   
 Output Capacitance:  $C_{oss}=C_{ds}+C_{gd}$   
 Feedback Capacitance:  $C_{rss}=C_{gd}$

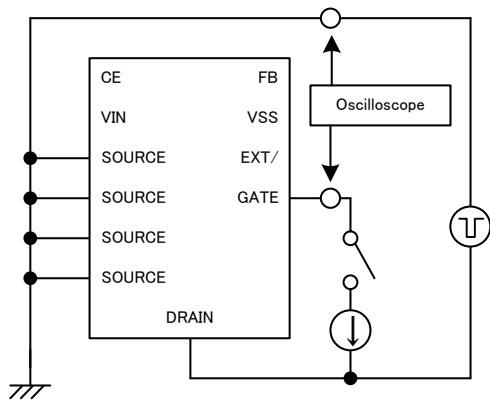
$C_{gd}$  : Gate-Drain Capacitance (⑬-1)  
 $C_{ds}$  : Drain-Source Capacitance (⑬-2)  
 $C_{gs}$  : Gate-Source Capacitance (⑬-3)

## TEST CIRCUITS (Continued)

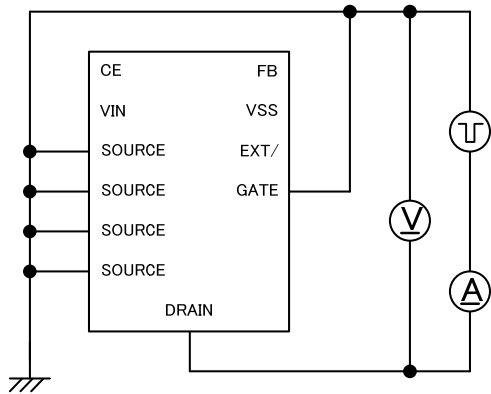
Circuit ⑭



Circuit ⑮

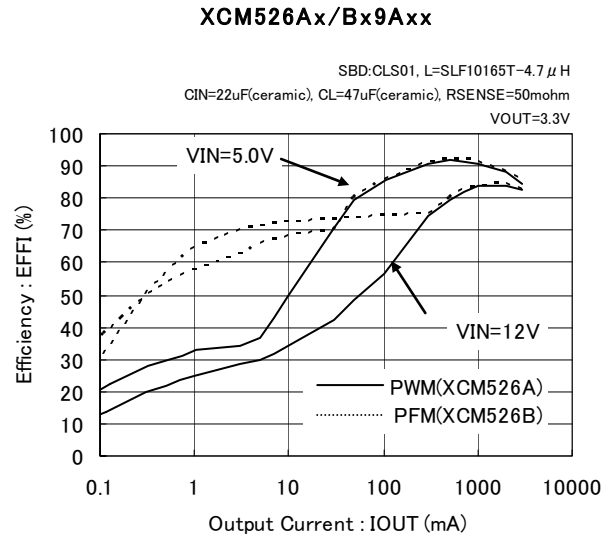
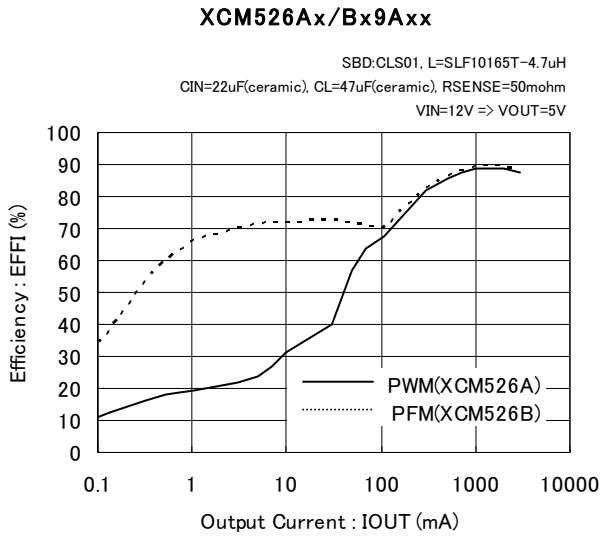


Circuit ⑯

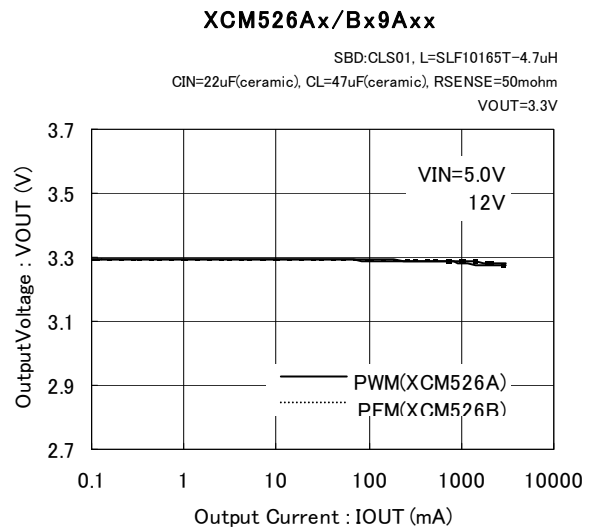
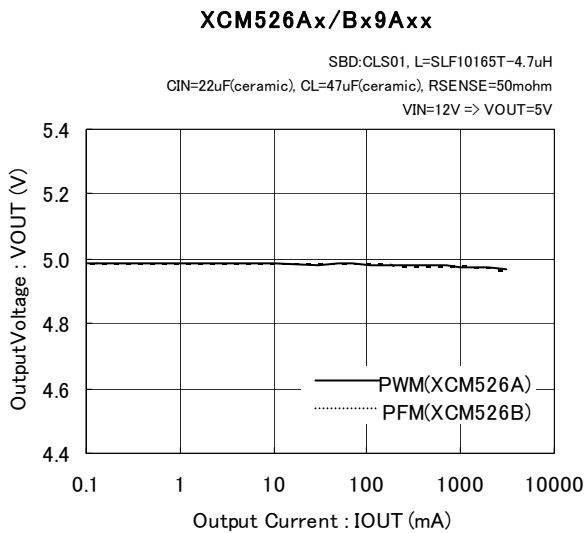


# TYPICAL PERFORMANCE CHARACTERISTICS

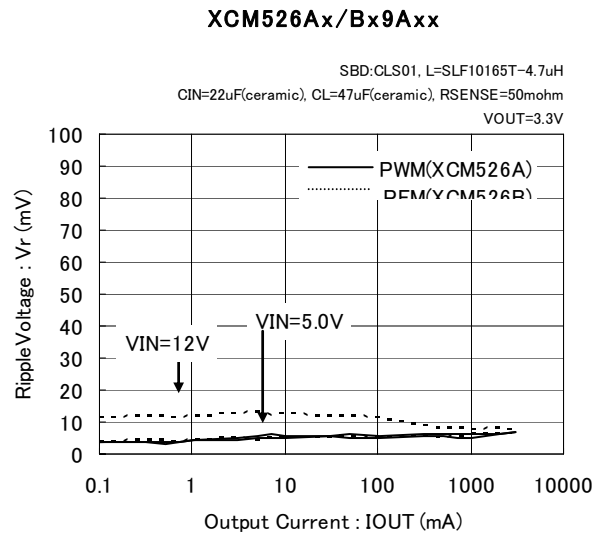
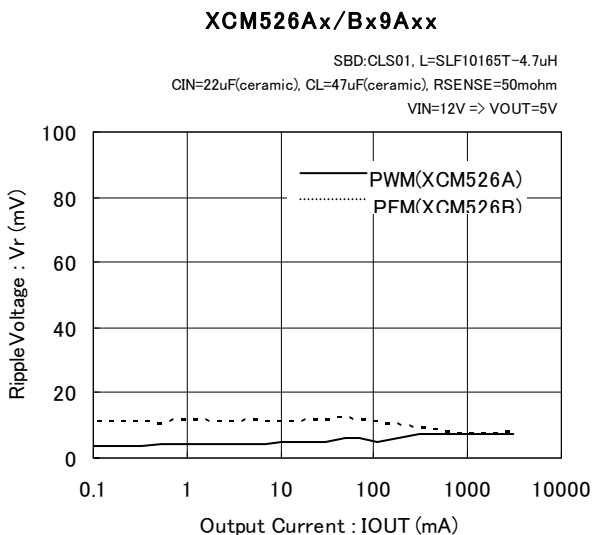
## (1) Efficiency vs. Output Current



## (2) Output Voltage vs. Output Current



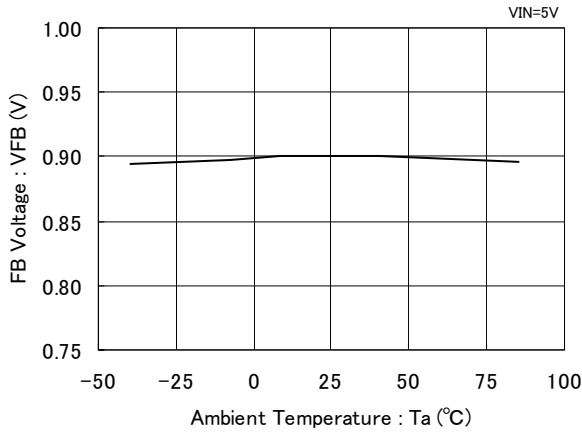
## (3) Output Ripple Voltage vs. Output Current



## TYPICAL PERFORMANCE CHARACTERISTICS (Continued)

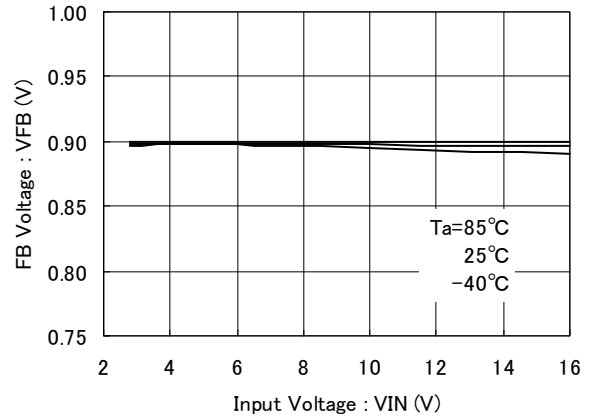
(4) FB Voltage Temperature Characteristics

**XCM526series**



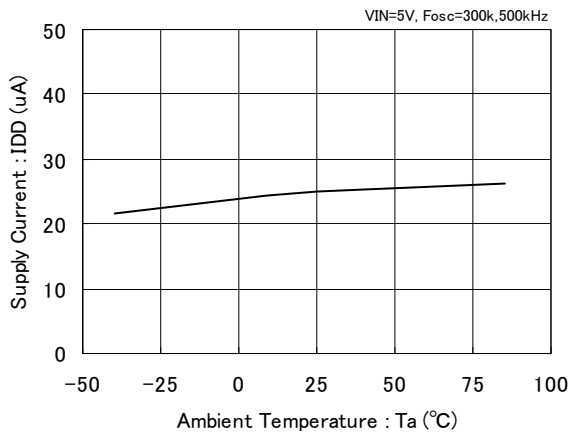
(5) FB Voltage vs. Input Voltage

**XCM526series**



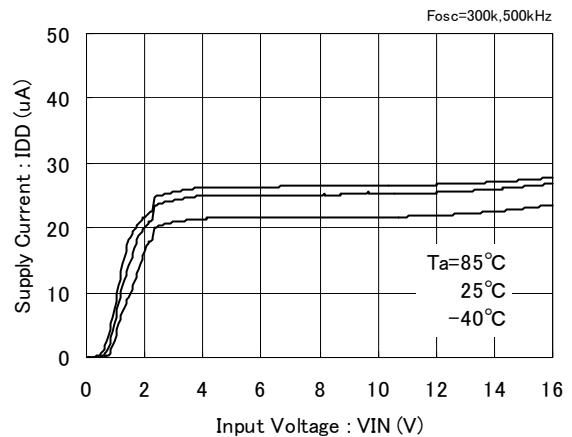
(6) Supply Current Temperature Characteristics

**XCM526series**



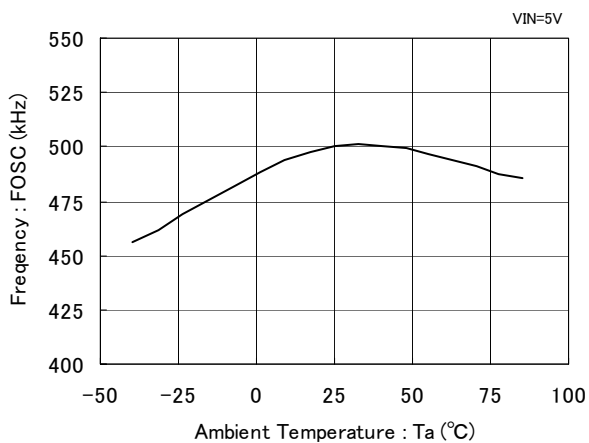
(7) Supply Current vs. Input Voltage

**XCM526series**



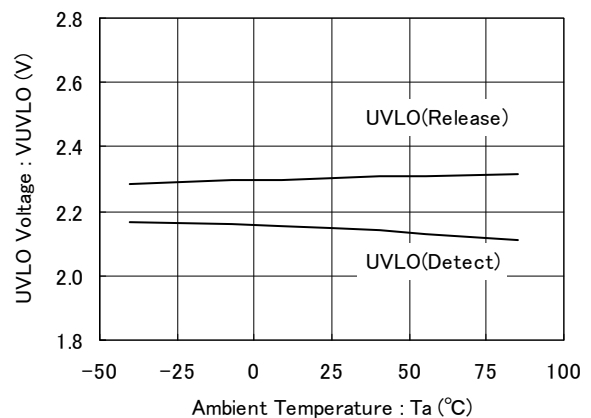
(8) Oscillation Frequency Temperature Characteristics

**XCM526xx95xx**



(9) UVLO Temperature Characteristics

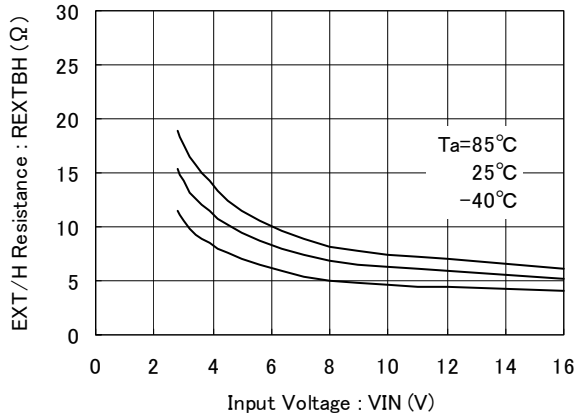
**XCM526series**



## TYPICAL PERFORMANCE CHARACTERISTICS (Continued)

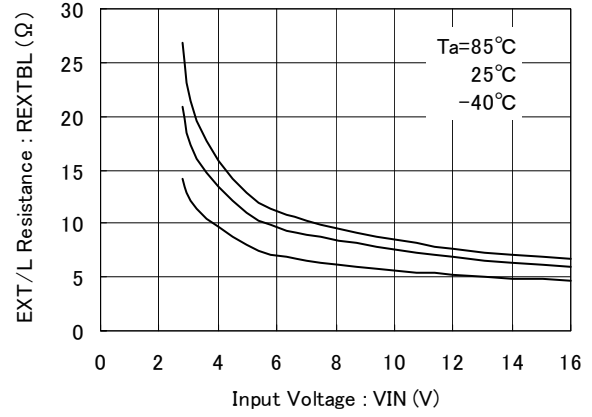
(10) EXT H ON Resistance Characteristics

**XCM526series**



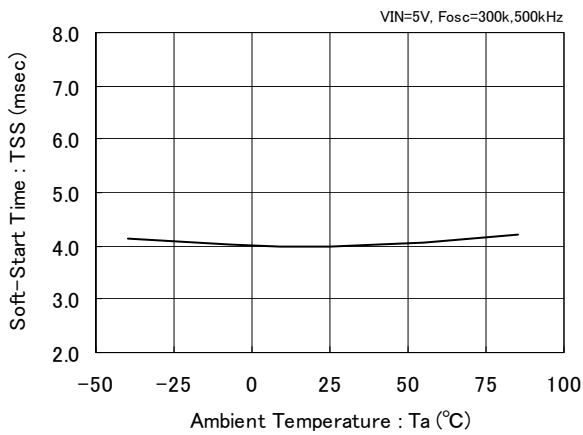
(11) EXT L ON Resistance Characteristics

**XCM526series**

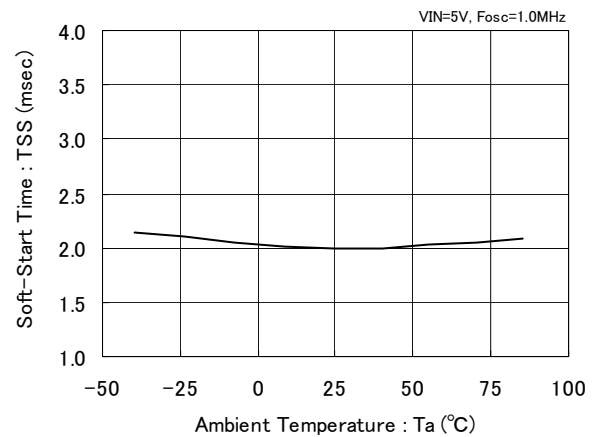


(12) Soft-Start Time Temperature Characteristics

**XCM526series**

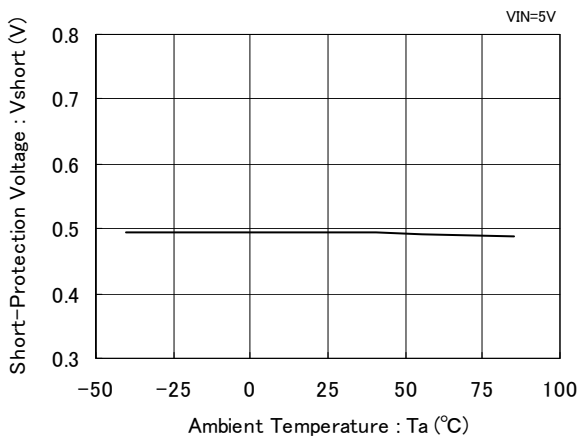


**XCM526series**



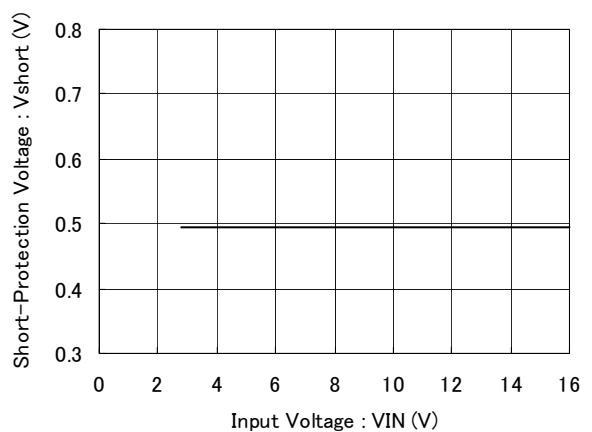
(13) Integral Protection Time Temperature Characteristics

**XCM526series**



(14) Short-Circuit Protection Voltage vs. Input Voltage

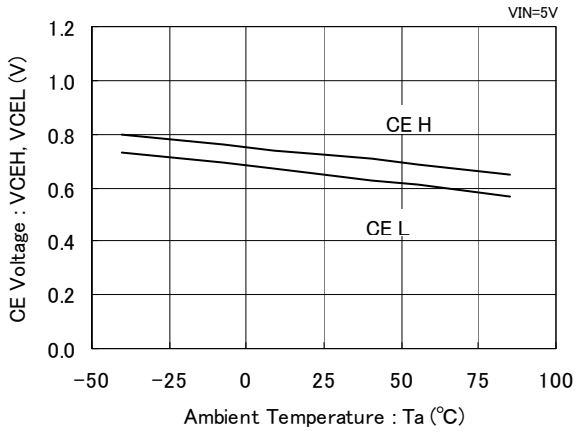
**XCM526series**



## TYPICAL PERFORMANCE CHARACTERISTICS (Continued)

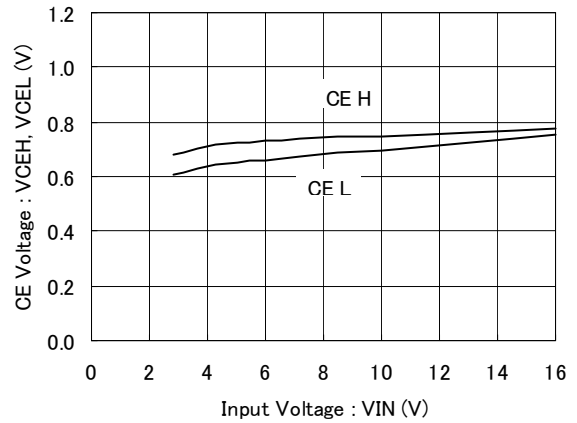
(15) CE Threshold Temperature Characteristics

**XCM526series**



(16) CE Threshold vs. Input Voltage

**XCM526series**

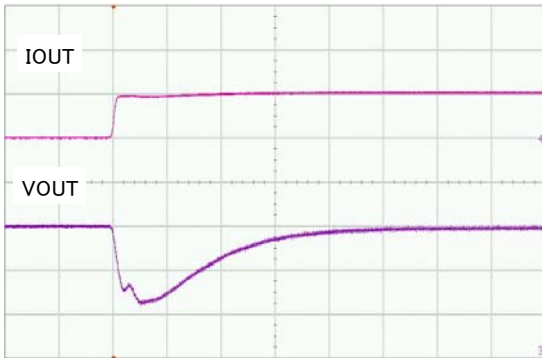


(17) Load Transient Response Characteristics

• IOUT: 0.1mA → 1000mA

**XCM526Ax95xx**

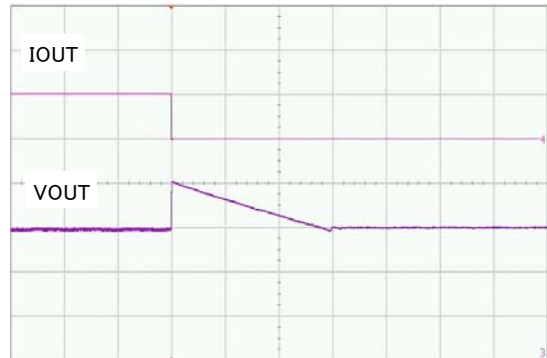
SBD: CLS01(TOSHIBA), L=10uH(RLF12545T, TDK)  
CIN=47uF(ceramic), CL=47uF(OS-con)  
VIN=5.0V, VOUT=3.3V



VOUT=100mV/div., Time=50 μs/div.

**XCM526Ax95xx**

SBD: CLS01(TOSHIBA), L=10uH(RLF12545T, TDK)  
CIN=47uF(ceramic), CL=47uF(OS-con)  
VIN=5.0V, VOUT=3.3V

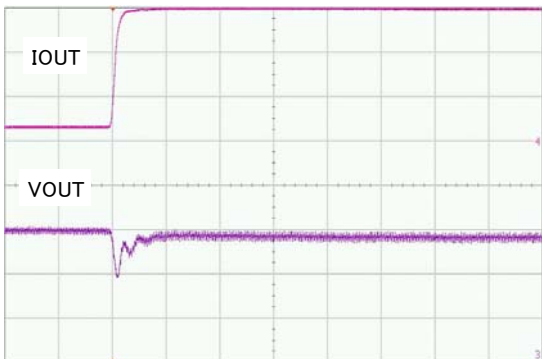


VOUT=100mV/div., Time=10ms/div.

• IOUT: 300mA → 3000mA

**XCM526Ax95xx**

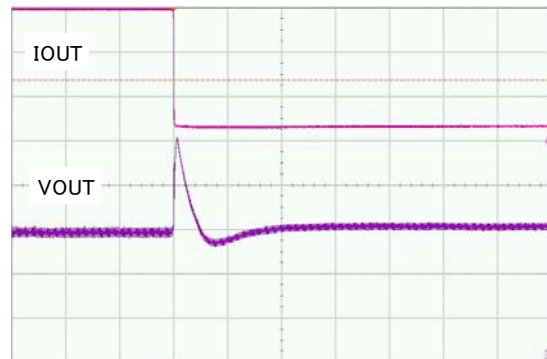
SBD: CLS01(TOSHIBA), L=10uH(RLF12545T, TDK)  
CIN=47uF(ceramic), CL=47uF(OS-con)  
VIN=10.0V, VOUT=3.3V



VOUT=100mV/div., Time=50 μs/div.

**XCM526Ax95xx**

SBD: CLS01(TOSHIBA), L=10uH(RLF12545T, TDK)  
CIN=47uF(ceramic), CL=47uF(OS-con)  
VIN=10.0V, VOUT=3.3V

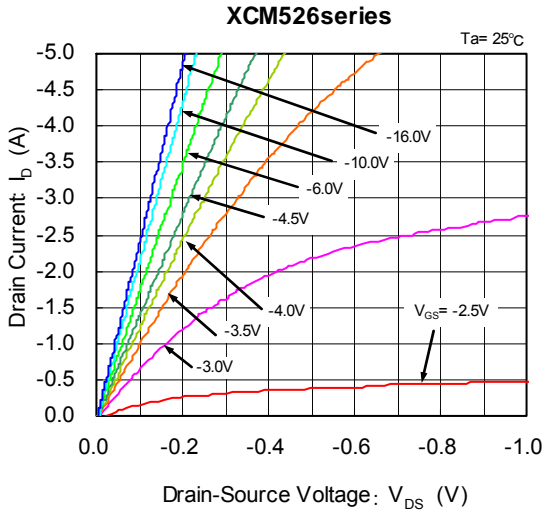


VOUT=100mV/div., Time=100ms/div.

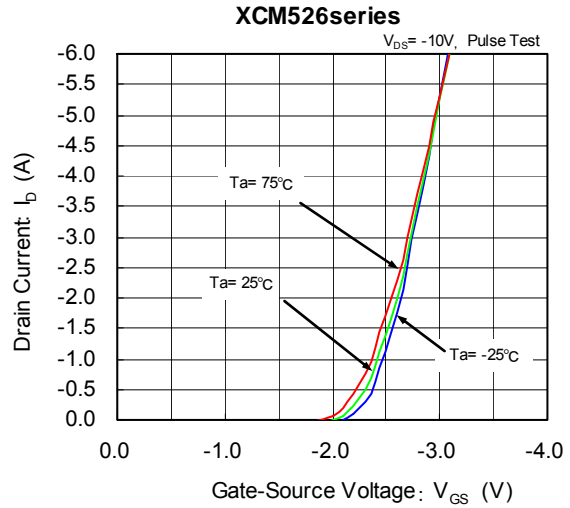
# TYPICAL CURVE CHARACTERISTICS

## P-ch POWER MOSFET

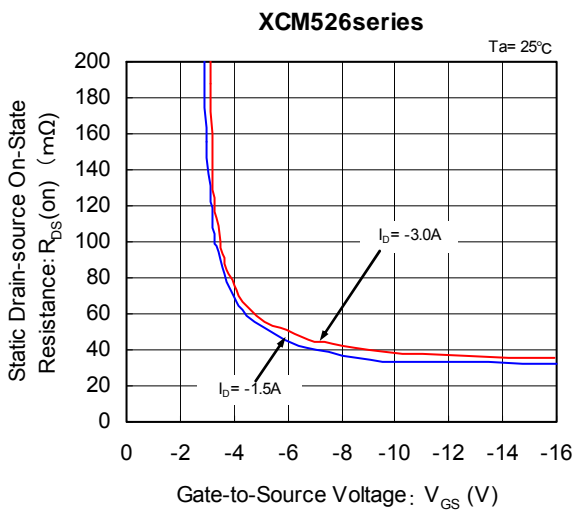
(1) Drain Current vs. Drain-Source Voltage



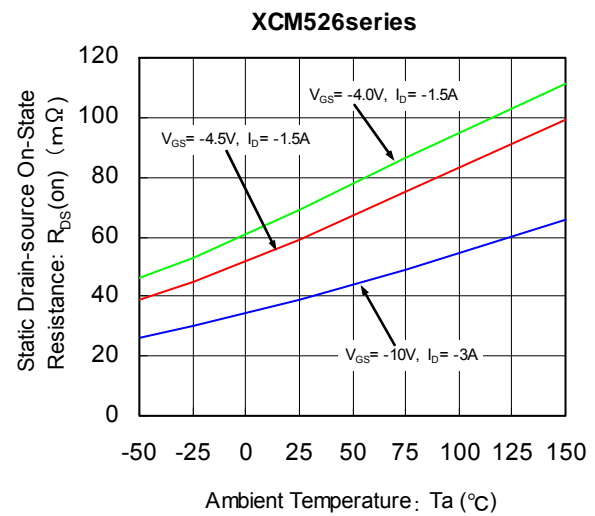
(2) Drain Current vs. Drain Source Voltage



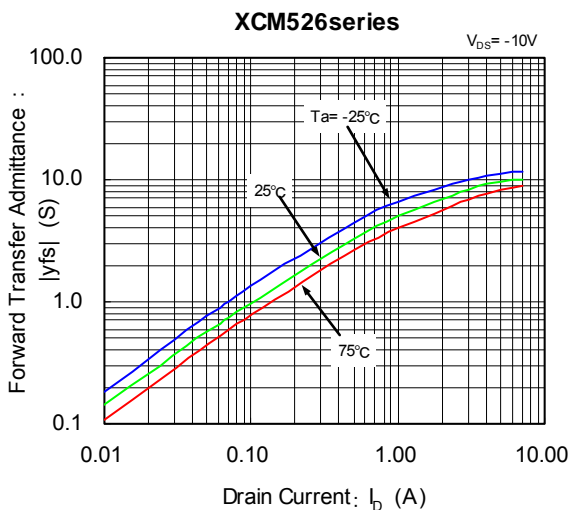
(3) Drain-Source On-State Resistance vs. Gate-Source Voltage



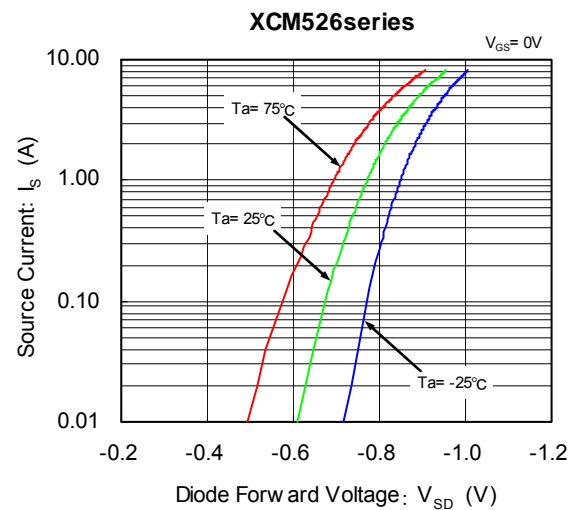
(4) Drain-Source On-State vs. Ambient Temperature



(5) Forward Transfer Admittance vs. Drain Current



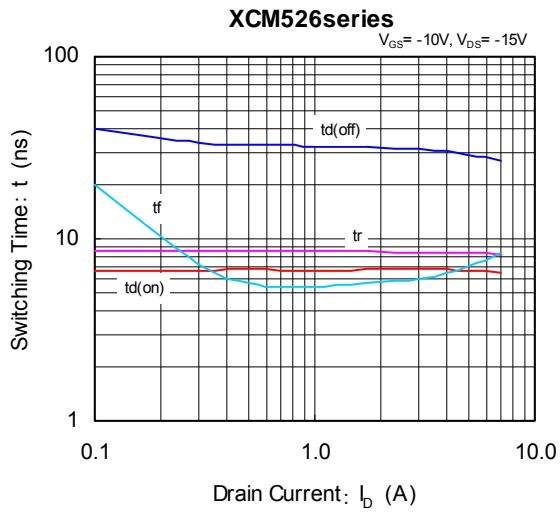
(6) Source Current vs. Diode Forward Voltage



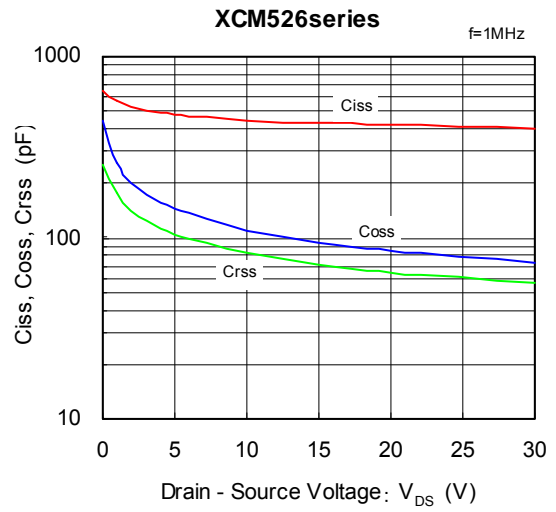
## TYPICAL CURVE CHARACTERISTICS (Continued)

P-ch POWER MOSFET

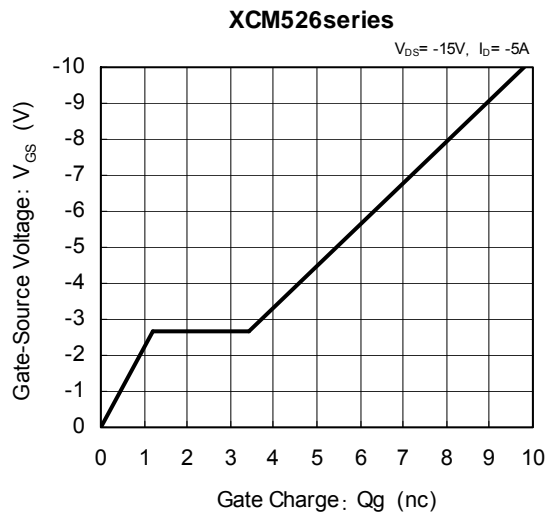
(7) Switching Time vs. Drain Current



(8) Ciss, Coss, Crss vs. Drain-Source Voltage



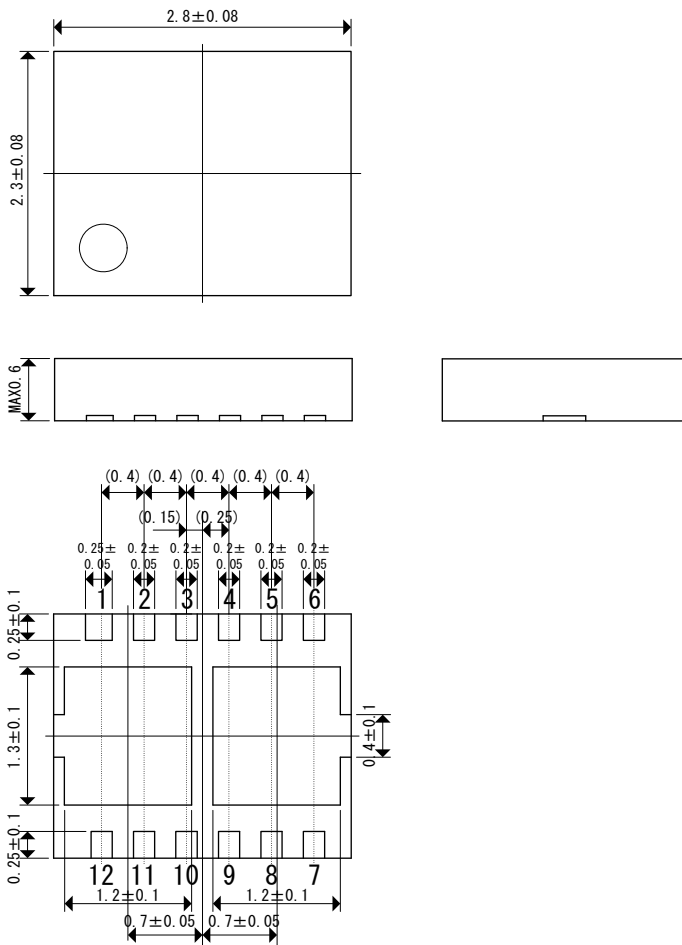
(9) Gate-Source Voltage vs. Gate Charge





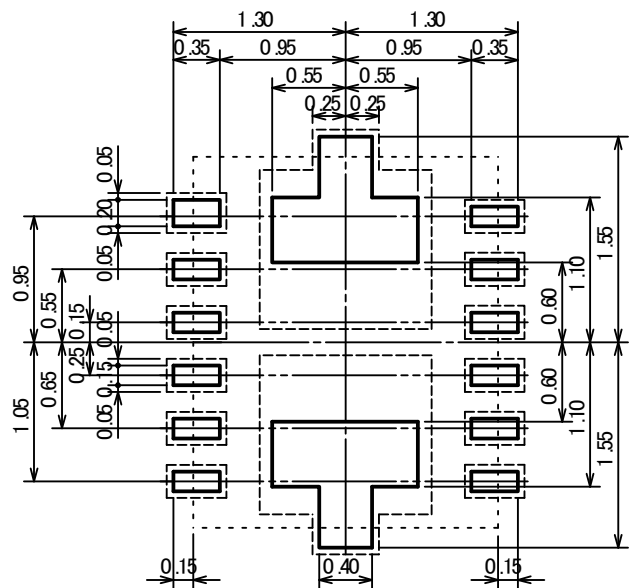
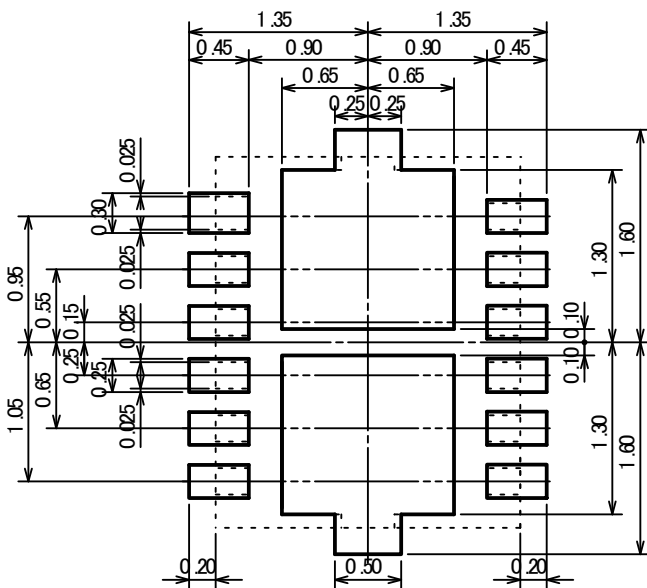
# PACKAGING INFORMATION

USP-12B01



USP-12B01 Reference Pattern Layout

USP-12B01 Reference Metal Mask Design



## PACKAGING INFORMATION (Continued)

USP-12B01 Power Dissipation

Power dissipation data for the USP-12B01 is shown in this page.

The value of power dissipation varies with the mount board conditions.

Please use this data as one of reference data taken in the described condition.

### 1. Measurement Condition (Reference data)

Condition: Mount on a board

Ambient: Natural convection

Soldering: Lead (Pb) free

Board: Dimensions 40 x 40 mm (1600 mm<sup>2</sup> in one side)

1<sup>st</sup> Layer: Land and a wiring pattern

2<sup>nd</sup> Layer: Connecting to approximate 50% of the 1<sup>st</sup> heat sink

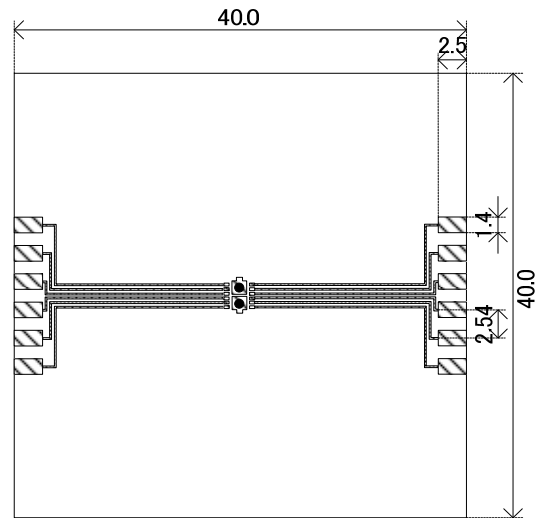
3<sup>rd</sup> Layer: Connecting to approximate 50% of the 2<sup>nd</sup> heat sink

4<sup>th</sup> Layer: Noting

Material: Glass Epoxy (FR-4)

Thickness: 1.6 mm

Through-hole: 2 x 0.8 Diameter (each TAB needs one through-hole)

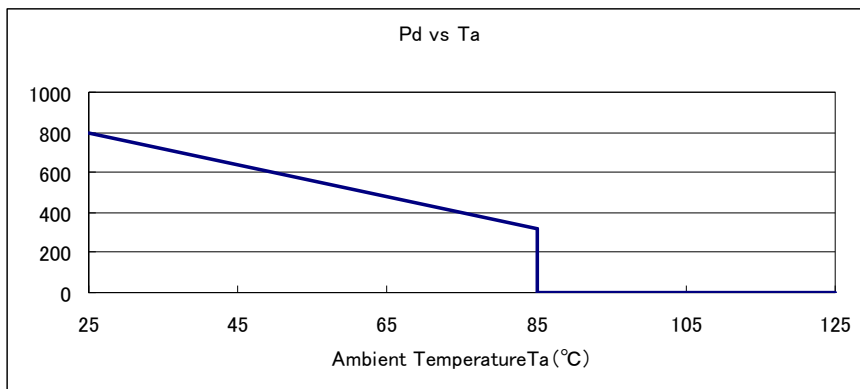


Evaluation Board (Unit: mm)

### 2. Power Dissipation vs. Ambient temperature

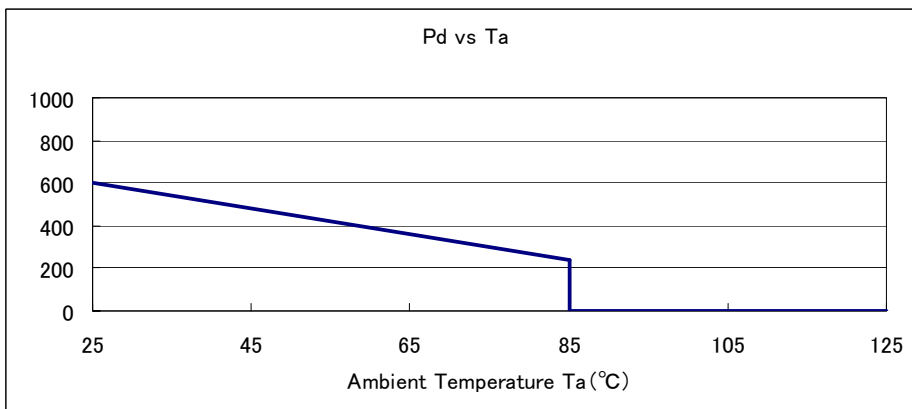
Only 1ch heating, Board Mount ( $T_j$  max = 125 )

Ambient Temperature(°C)	Power Dissipation Pd (mW)	Thermal Resistance (°C/W)
25	800	125.00
85	320	



Both 2ch heating same time, Board Mount ( $T_j$  max = 125 )

Ambient Temperature(°C)	Power Dissipation Pd (mW)	Thermal Resistance (°C/W)
25	600	166.67
85	240	



## MARKING RULE

USP-12B01

USP-12B01

represents product series.

MARK	PRODUCT SERIES
3	XCM526****D*-G

represents combination of the IC.

MARK		PRODUCT SERIES
A	C	XCM526AC****D*-G

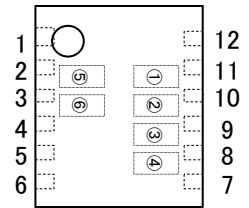
represents oscillation frequency.

MARK	PRODUCT SERIES
3	XCM526***3**-G
5	XCM526***5**-G
A	XCM526***A**-G

represents production lot number

01 to 09, 0A to 0Z, 11 to 9Z, A1 to A9, AA to Z9, ZA to ZZ repeated. (G, I, J, O, Q, W excluded)

\* No character inversion used.



1. The products and product specifications contained herein are subject to change without notice to improve performance characteristics. Consult us, or our representatives before use, to confirm that the information in this datasheet is up to date.
2. We assume no responsibility for any infringement of patents, patent rights, or other rights arising from the use of any information and circuitry in this datasheet.
3. Please ensure suitable shipping controls (including fail-safe designs and aging protection) are in force for equipment employing products listed in this datasheet.
4. The products in this datasheet are not developed, designed, or approved for use with such equipment whose failure or malfunction can be reasonably expected to directly endanger the life of, or cause significant injury to, the user.  
(e.g. Atomic energy; aerospace; transport; combustion and associated safety equipment thereof.)
5. Please use the products listed in this datasheet within the specified ranges.  
Should you wish to use the products under conditions exceeding the specifications, please consult us or our representatives.
6. We assume no responsibility for damage or loss due to abnormal use.
7. All rights reserved. No part of this datasheet may be copied or reproduced without the prior permission of TOREX SEMICONDUCTOR LTD.

**TOREX SEMICONDUCTOR LTD.**



Компания «ЭлектроПласт» предлагает заключение долгосрочных отношений при поставках импортных электронных компонентов на взаимовыгодных условиях!

Наши преимущества:

- Оперативные поставки широкого спектра электронных компонентов отечественного и импортного производства напрямую от производителей и с крупнейших мировых складов;
- Поставка более 17-ти миллионов наименований электронных компонентов;
- Поставка сложных, дефицитных, либо снятых с производства позиций;
- Оперативные сроки поставки под заказ (от 5 рабочих дней);
- Экспресс доставка в любую точку России;
- Техническая поддержка проекта, помощь в подборе аналогов, поставка прототипов;
- Система менеджмента качества сертифицирована по Международному стандарту ISO 9001;
- Лицензия ФСБ на осуществление работ с использованием сведений, составляющих государственную тайну;
- Поставка специализированных компонентов (Xilinx, Altera, Analog Devices, Intersil, Interpoint, Microsemi, Aeroflex, Peregrine, Syfer, Eurofarad, Texas Instrument, Miteq, Cobham, E2V, MA-COM, Hittite, Mini-Circuits, General Dynamics и др.);

Помимо этого, одним из направлений компании «ЭлектроПласт» является направление «Источники питания». Мы предлагаем Вам помощь Конструкторского отдела:

- Подбор оптимального решения, техническое обоснование при выборе компонента;
- Подбор аналогов;
- Консультации по применению компонента;
- Поставка образцов и прототипов;
- Техническая поддержка проекта;
- Защита от снятия компонента с производства.



#### Как с нами связаться

**Телефон:** 8 (812) 309 58 32 (многоканальный)

**Факс:** 8 (812) 320-02-42

**Электронная почта:** [org@eplast1.ru](mailto:org@eplast1.ru)

**Адрес:** 198099, г. Санкт-Петербург, ул. Калинина, дом 2, корпус 4, литера А.