

PLEASE CHECK WWW.MOLEX.COM FOR LATEST PART INFORMATION

Part Number: **0546840804**
Status: **Active**
Description: 0.40mm (.016") Pitch Board-to-Board SlimStack™ Receptacle, Surface Mount, Dual Row, Vertical Stacking, 3.50mm (.138") Stacking Height, 80 Circuits

Documents:

[3D Model](#)
[Drawing \(PDF\)](#)
[Product Specification PS-54684-006 \(PDF\)](#)
[Product Specification PS-54684-008 \(PDF\)](#)
[RoHS Certificate of Compliance \(PDF\)](#)

General

Product Family	PCB Receptacles
Series	54684
Application	Board-to-Board
Product Name	SlimStack™

Physical

Circuits (Loaded)	80
Color - Resin	Brown
Durability (mating cycles max)	30
Glow-Wire Compliant	No
Mated Height (in)	0.138 In
Mated Height (mm)	3.50 mm
Material - Metal	Phosphor Bronze
Material - Plating Mating	Gold
Material - Plating Termination	Gold
Material - Resin	High Temperature Thermoplastic
Number of Rows	2
Orientation	Vertical
PCB Locator	No
PCB Retention	None
Packaging Type	Embossed Tape on Reel
Pitch - Mating Interface (in)	0.016 In
Pitch - Mating Interface (mm)	0.40 mm
Plating min: Mating (µin)	4
Plating min: Mating (µm)	0.1
Plating min: Termination (µin)	2
Plating min: Termination (µm)	0.05
Polarized to PCB	No
Surface Mount Compatible (SMC)	N/A
Temperature Range - Operating	-25°C to +105°C
Termination Interface: Style	Surface Mount

Electrical

Current - Maximum per Contact	0.3A
Voltage - Maximum	30V

Material Info

Reference - Drawing Numbers

Packaging Specification	SPK-54684-001
Product Specification	PS-54684-006, PS-54684-008, RPS-54684-013, RPS-54684-015
Sales Drawing	SD-54684-011, SD-54684-012

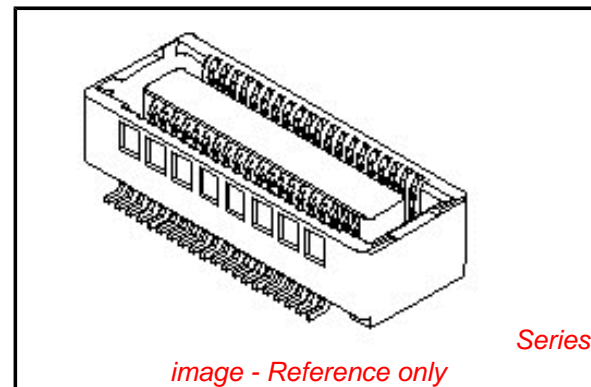


image - Reference only

EU RoHS

ELV and RoHS Compliant
REACH SVHC
 Not Reviewed
Halogen-Free Status
 Not Reviewed

China RoHS



Need more information on product environmental compliance?

Email productcompliance@molex.com
 For a multiple part number RoHS Certificate of Compliance, [click here](#)

Please visit the [Contact Us](#) section for any non-product compliance questions.

Search Parts in this Series

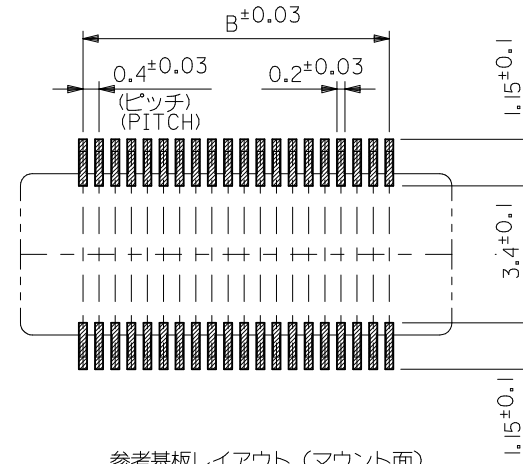
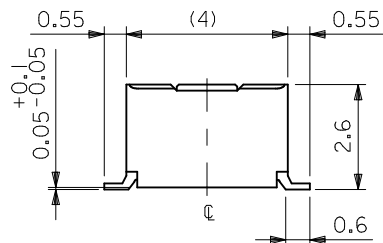
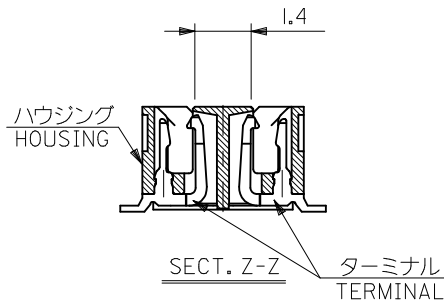
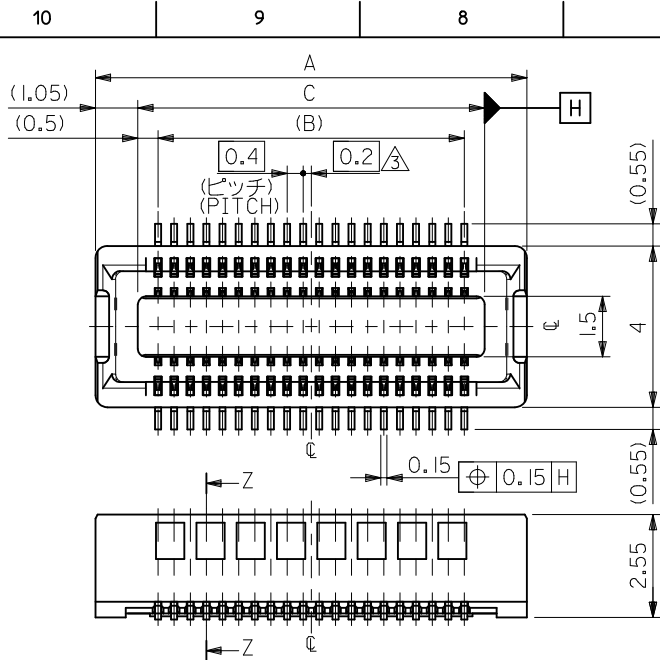
54684Series

Mates With

55526 PCB Header

This document was generated on 04/30/2010

PLEASE CHECK WWW.MOLEX.COM FOR LATEST PART INFORMATION



参考基板レイアウト (マウント面)
P.C.BOARD
PATTERN DIMENSION (REF.)
(MOUNTING AREA)

24.6	23.6	26.7	54684-1203	120
20.6	19.6	22.7	54684-1003	100
18.6	17.6	20.7	54684-0903	90
16.6	15.6	18.7	54684-0803	80
14.6	13.6	16.7	54684-0703	70
12.6	11.6	14.7	54684-0603	60
10.6	9.6	12.7	54684-0503	50
5.4	4.4	7.5	54684-0243	24
C	B	A	MATERIAL NO.	CIRCUIT

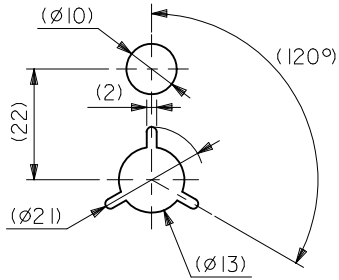
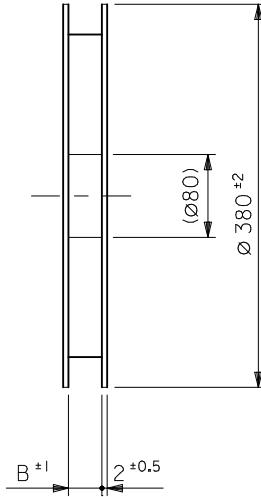
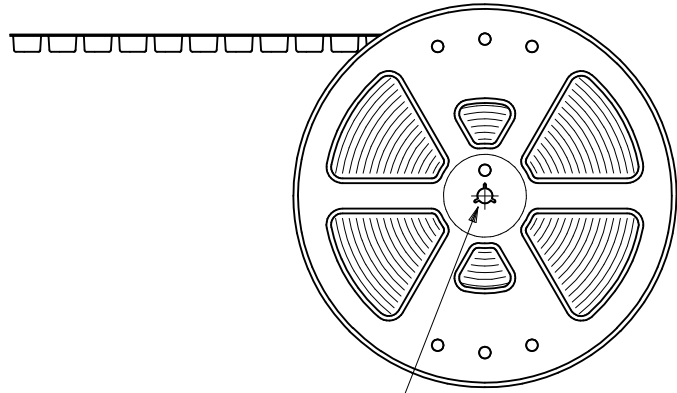
注記 NOTES:

1. 使用材料 MATERIAL
ハウジング: 液晶ポリマー ガラス充填 UL94V-0 茶色
HOUSING: LIQUID CRYSTAL POLYMER
GLASS FILLED UL94V-0
COLOR BROWN
ターミナル: リン青銅 (t=0.15)
TERMINAL: PHOSPHOR BRONZE (t=0.15)
2. メッキ仕様 PLATING
金メッキ 0.10 マイクロメートル以上 (コンタクト部)
GOLD 0.10 MICROMETER MINIMUM (CONTACT AREA)
金メッキ 0.4 マイクロメートル以下 (テール部)
GOLD 0.4 MICROMETER MAXIMUM (TAIL AREA)
下地メッキ: ニッケルメッキ 1.5 マイクロメートル以上
UNDER PLATING: NICKEL 1.5 MICROMETER MINIMUM
* コンタクト部とテール部はニッケルメッキによって分断されている
金メッキで9。
DIVIDE INTO PARTS THE GOLD PLATING OF THE
CONTACT PART AND THE TAIL PART BY THE
NICKEL PLATING.

3. (全極数/2) = 偶数の場合に適用。
APPLY FOR (CIRCUIT/2) = EVEN.
4. 嵌合相手: 55526シリーズ, 501017シリーズ。
MATE WITH: 55526 SERIES AND 501017 SERIES.
5. テール平坦度は 0.08MAX。
TAIL COPLANARITY TO BE 0.08MAX.

REVISED EC NO: J2010-2361 DRWN: MKATO 2010/05/21 CHKD: THIRATA 2010/05/24 APPR: MSASAO 2010/06/09	DESCRIPTION	GENERAL TOLERANCES (UNLESS SPECIFIED)		DIMENSION STYLE MM ONLY		SCALE ---	DESIGN UNITS METRIC	MODEL NO. 54684-***3	
		10 UNDER	±0.2	DRAWN BY T. KAIHO	DATE 2003/07/15	TITLE 0.4BB CONN.REC HSGASSY NO BOSS NI BARRIER -LEAD FREE-			
		10 OVER 30 UNDER	±0.25	CHECKED BY T. ITO	DATE 2003/07/15	MOLEX INCORPORATED SD-54684-011			
		30 OVER	±0.3	APPROVED BY T. YAMAGU	DATE 2003/07/15				
ANGULAR ±3 °		DRAFT WHERE APPLICABLE MUST REMAIN WITHIN DIMENSIONS		MATERIAL NO. SEE CHART		DOCUMENT NO. SD-54684-011		THIS DRAWING CONTAINS INFORMATION THAT IS PROPRIETARY TO MOLEX INCORPORATED AND SHOULD NOT BE USED WITHOUT WRITTEN PERMISSION	

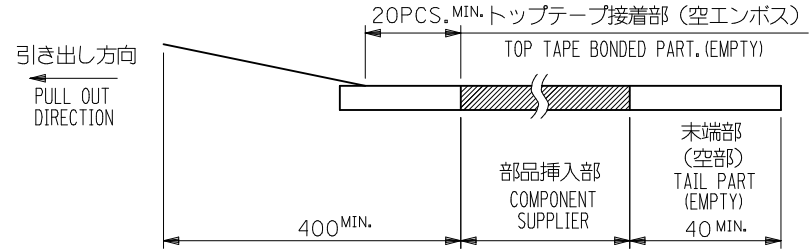
引き出し方向
PULL OUT
DIRECTION



DETAIL "F"

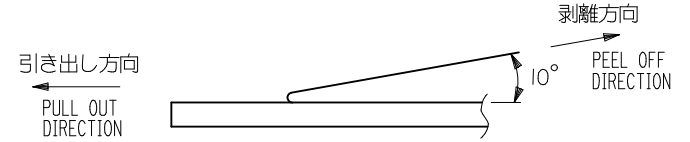
NOTES

- 製品詳細寸法については図面 SD-54684-011 を参照下さい。
RE DETAILED DIMENSION, SEE SD-54684-011
- 梱包数量：1500個/リール
NUMBER OF CONNECTORS：1500PCS/REEL
- リードテープ長さ LEAD TAPE LENGTH



- トップテープの剥離強度：0.1N ~ 0.7N(10.2gf ~ 71.4gf)
(剥離方向は下図参照)

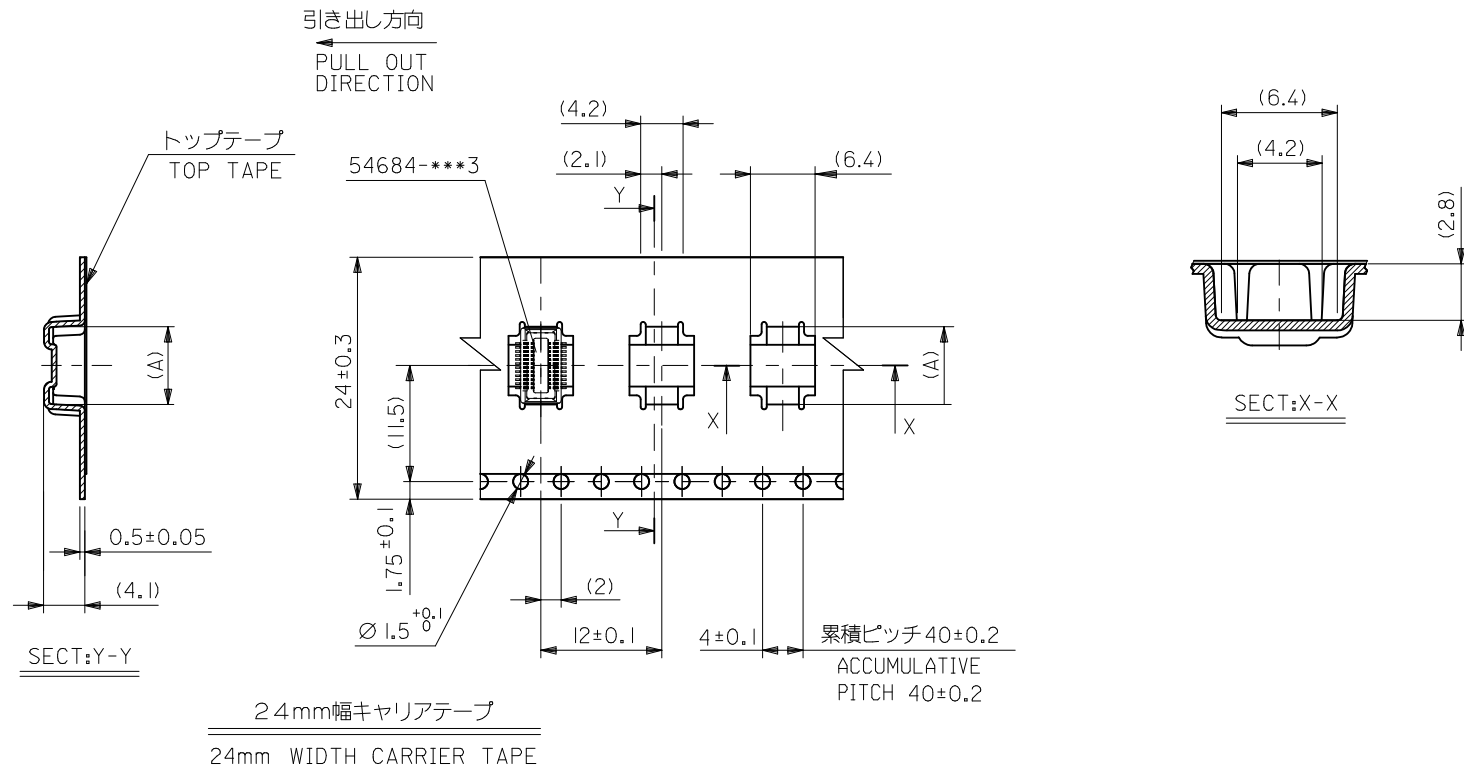
尚、本規格値は出荷時に適用。(但し、輸送時に剥離が発生しないこと。)
PEELING OFF FORCE OF TOP TAPE : 0.1N ~ 0.7N(10.2gf ~ 71.4gf)
(PEELING DIRECTION AS SHOWN IN FOLLOWING FIG.)
THIS REQUIREMENT SHOULD BE APPLIED AT SHIPMENT.
PEEL OFF SHOULD NOT BE ALLOWED ,DURING TRANSPORTATION.



- 材料(MATERIAL)
キャリアテープ(CARRIER TAPE)：ポリプロピレン(POLYPROPYLENE)
トップテープ(TOPTAPE)：PET, PE, PEF
リール(REEL)：ポリスチレン(P.S) <リサイクル材を含む>
POLYSTYREN(PS) <RECYCLE MATERIAL CONTAINED>

MODEL NO. 54684-***4

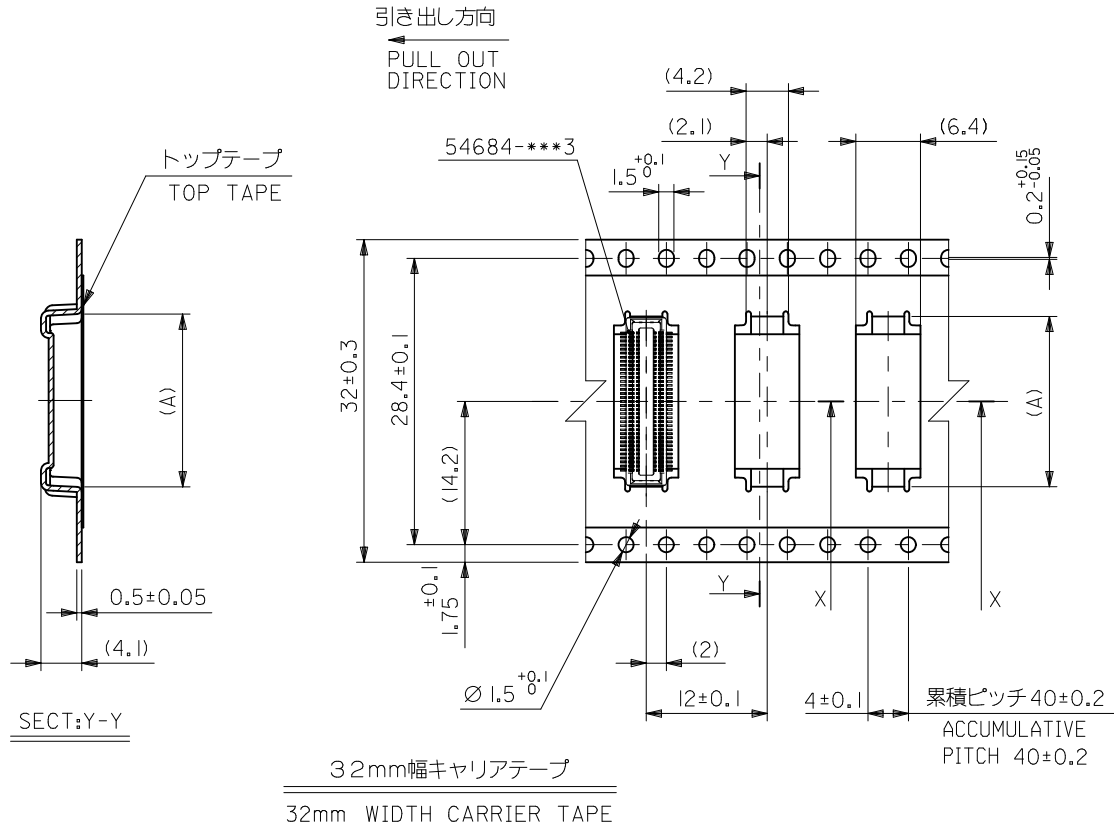
REVISED EC NO: J2010-2361 DRWN:KATO 2010/05/21 CHKD:THIRATA 2010/05/24 APPR:MSASAO 2010/06/09	GENERAL TOLERANCES (UNLESS SPECIFIED)		DIMENSION STYLE MM ONLY		SCALE ---	DESIGN UNITS METRIC	THIRD ANGLE PROJECTION	
	10 UNDER	±0.2	DRAWN BY T. KAIHO	DATE 2003/07/15	TITLE 0.4BB CON.EMBSTP PKG FOR 54684-***3 -LEAD FREE-			
	10 OVER 30 UNDER	±0.25	CHECKED BY T. ITO	DATE 2003/07/15	MOLEX INCORPORATED			
	30 OVER	±0.3	APPROVED BY T. YAMAGU	DATE 2003/07/15				
	ANGULAR ±3 °		MATERIAL NO. SEE CHART		DOCUMENT NO. SD-54684-012		SHEET NO. 1 OF 4	
DRAFT WHERE APPLICABLE MUST REMAIN WITHIN DIMENSIONS		THIS DRAWING CONTAINS INFORMATION THAT IS PROPRIETARY TO MOLEX INCORPORATED AND SHOULD NOT BE USED WITHOUT WRITTEN PERMISSION						



24	25.5	7.7	54684-0244	24
キャリアテープ幅 CARRIER TAPE WIDTH	B	(A)	MATERIAL NO.	極数 CKT.

MODEL NO. 54684-***4

REVISED EC NO: J2010-2361 DRWN:MKATO 2010/05/21 CHKD:THIRATA 2010/05/24 APPR:MSASAO 2010/06/09	GENERAL TOLERANCES (UNLESS SPECIFIED)		DIMENSION STYLE MM ONLY	SCALE ---	DESIGN UNITS METRIC	THIRD ANGLE PROJECTION
	10 UNDER	±0.2	DRAWN BY T. KAIHO	DATE 2003/07/15	TITLE 0.4BB CON.EMBSTP PKG FOR 54684-***3 -LEAD FREE-	
	10 OVER 30 UNDER	±0.25	CHECKED BY T. ITO	DATE 2003/07/15	MOLEX INCORPORATED	
	30 OVER	±0.3	APPROVED BY T. YAMAGU	DATE 2003/07/15	DOCUMENT NO. SD-54684-012	SHEET NO. 2 OF 4
	ANGULAR ±3 °	DRAFT WHERE APPLICABLE MUST REMAIN WITHIN DIMENSIONS	MATERIAL NO. SEE CHART	THIS DRAWING CONTAINS INFORMATION THAT IS PROPRIETARY TO MOLEX INCORPORATED AND SHOULD NOT BE USED WITHOUT WRITTEN PERMISSION		



32	33.5	20.9	54684-0904	90
		18.9	54684-0804	80
		16.9	54684-0704	70
		14.9	54684-0604	60
		12.9	54684-0504	50
キャリアテープ幅 CARRIER TAPE WIDTH	B	(A)	MATERIAL NO.	極数 CKT.

REVISED EC NO: J2010-2361 DRWN:MKATO 2010/05/21 CHKD:THIRATA 2010/05/24 APPR:MSASAO 2010/06/09	GENERAL TOLERANCES (UNLESS SPECIFIED)		DIMENSION STYLE	SCALE	DESIGN UNITS	MODEL NO.	
	10 UNDER ±0.2		MM ONLY	---	METRIC	54684-***4	
	10 OVER 30 UNDER ±0.25		DRAWN BY	DATE	TITLE	0.4BB CON.EMBSTP PKG FOR 54684-***3 -LEAD FREE-	
	30 OVER ±0.3		CHECKED BY	DATE	MOLEX INCORPORATED SEE CHART	DOCUMENT NO.	SHEET NO.
	ANGULAR ±3 °		APPROVED BY	DATE		SD-54684-012	3 OF 4
DRAFT WHERE APPLICABLE MUST REMAIN WITHIN DIMENSIONS		MATERIAL NO.	THIS DRAWING CONTAINS INFORMATION THAT IS PROPRIETARY TO MOLEX INCORPORATED AND SHOULD NOT BE USED WITHOUT WRITTEN PERMISSION				



Компания «ЭлектроПласт» предлагает заключение долгосрочных отношений при поставках импортных электронных компонентов на взаимовыгодных условиях!

Наши преимущества:

- Оперативные поставки широкого спектра электронных компонентов отечественного и импортного производства напрямую от производителей и с крупнейших мировых складов;
- Поставка более 17-ти миллионов наименований электронных компонентов;
- Поставка сложных, дефицитных, либо снятых с производства позиций;
- Оперативные сроки поставки под заказ (от 5 рабочих дней);
- Экспресс доставка в любую точку России;
- Техническая поддержка проекта, помощь в подборе аналогов, поставка прототипов;
- Система менеджмента качества сертифицирована по Международному стандарту ISO 9001;
- Лицензия ФСБ на осуществление работ с использованием сведений, составляющих государственную тайну;
- Поставка специализированных компонентов (Xilinx, Altera, Analog Devices, Intersil, Interpoint, Microsemi, Aeroflex, Peregrine, Syfer, Eurofarad, Texas Instrument, Miteq, Cobham, E2V, MA-COM, Hittite, Mini-Circuits, General Dynamics и др.);

Помимо этого, одним из направлений компании «ЭлектроПласт» является направление «Источники питания». Мы предлагаем Вам помощь Конструкторского отдела:

- Подбор оптимального решения, техническое обоснование при выборе компонента;
- Подбор аналогов;
- Консультации по применению компонента;
- Поставка образцов и прототипов;
- Техническая поддержка проекта;
- Защита от снятия компонента с производства.



Как с нами связаться

Телефон: 8 (812) 309 58 32 (многоканальный)

Факс: 8 (812) 320-02-42

Электронная почта: org@eplast1.ru

Адрес: 198099, г. Санкт-Петербург, ул. Калинина, дом 2, корпус 4, литера А.