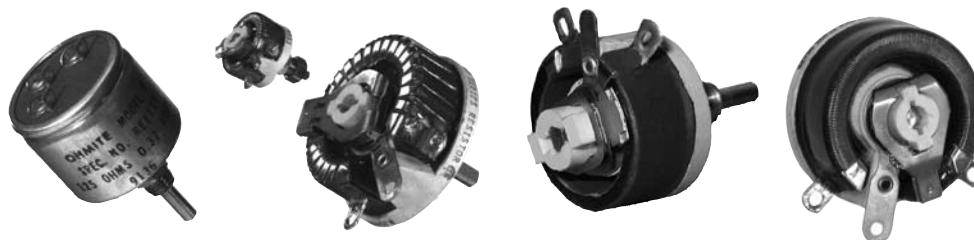


Rheostats

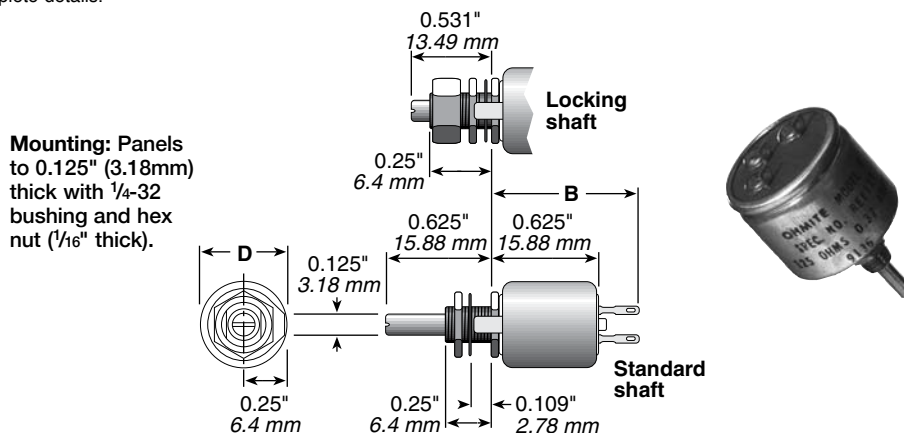
(Potentiometers) Wirewound



MODEL C

Model Type	Watts	Ohmic range	Core	Max. Voltage (RMS)*	Behind panel "B" (in./mm Ref.)	Diameter "D" (in./mm Ref.)	Dimension "C" (in./mm Ref.)	Shaft torque	Rotation (±5°)
C RCS/RCL	7.5	10.0-5K	enclosed	305	0.875/22.23	0.515/ 13.08	—	0.25-3 oz. in.	300°

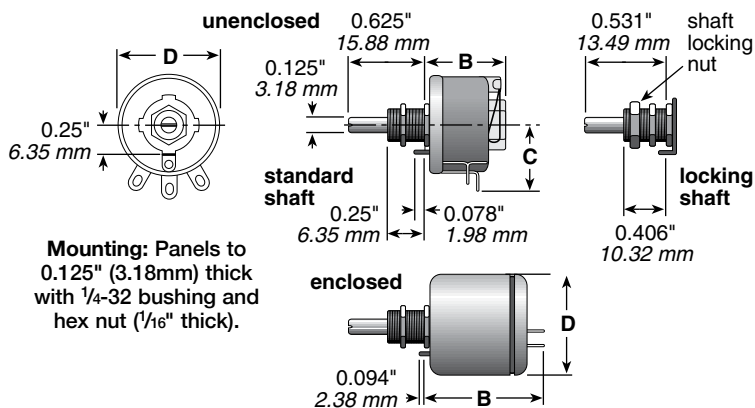
• See Catalog #203 for complete details.



MODEL E

Model Type	Watts	Ohmic range	Core	Max. Voltage (RMS)*	Behind panel "B" (in./mm Ref.)	Diameter "D" (in./mm Ref.)	Dimension "C" (in./mm Ref.)	Shaft torque	Rotation (±5°)
E RES/REL	12.5	1.0-15K	open	305	0.688/17.46	0.875/ 22.23	0.594/15.08	1-6 oz. in.	300°
E REE	12.5	1.0-15K	enclosed	305	1.219/30.96	1.047/ 26.59	—	1-6 oz. in.	300°

• See Catalog #203 for complete details.



Dimensions for reference only; consult factory for details.

Since all rheostats/potentiometers are electro-mechanical devices, they are subject to mechanical wear and, therefore, have a finite life.

Models H, J, K, L and N are listed under UL File No. E-10946 and CSA File No. 21309 unless noted otherwise.

All rheostats are 10% tolerance.

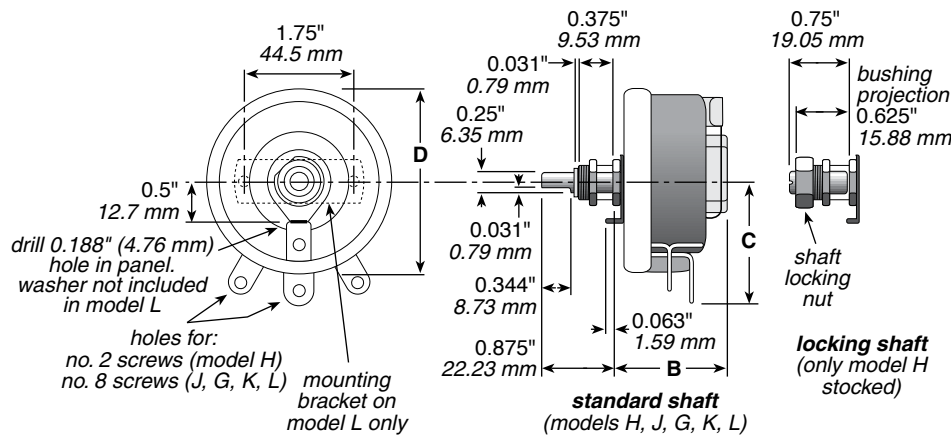
Rheostats

(Potentiometers) Wirewound

MODELS H, J, G, K, L

Model	Type	Watts	Ohmic range	Core	Max. Voltage (RMS)*	Behind panel "B" (in./mm Ref.)	Diameter "D" (in./mm Ref.)	Dimension "C" (in./mm Ref.)	Shaft torque	Rotation (±5°)
H	RHS/RHL	25	1.0-25K	open	500	1.375/34.93	1.560/ 39.62	0.940/23.88	0.25-0.5 lb. in.	300°
J	RJS	50	0.5-50K	open	750	1.375/34.93	2.31 / 58.67	1.56 /39.62	0.25-2 lb. in.	300°
G	RGS	75	0.5-50K	open	900	1.750/44.45	2.75 / 69.25	1.78 /45.21	0.5-2 lb. in.	300°
K	RKS	100	0.5-50K	open	1000	1.750/44.45	3.125/ 79.38	1.91 /48.51	0.5-2 lb. in.	300°
L	RLS	150	0.5-50K	open	1200	2.000 / 50.8	4.00 /101.60	2.28 /57.91	0.5-3 lb. in.	300°

- Models H, J, G, and K also available in enclosed versions.
- See Catalog #203 for complete details.

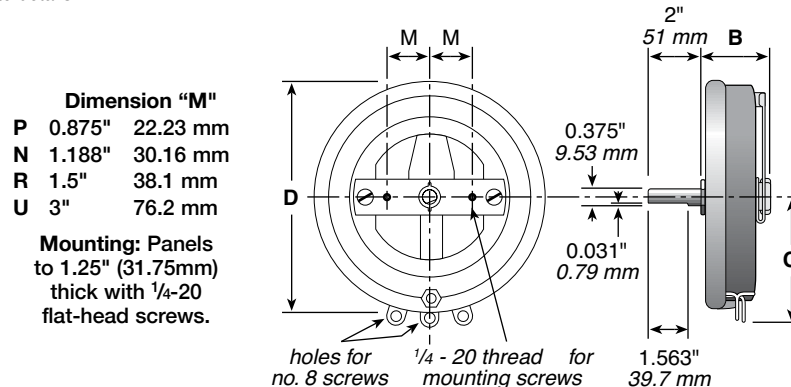


Mounting: Panels to 0.25" (6.35mm) thick with 3/8-32 bushing and hex nut (3/32" thick) (or with 10-32 x 0.75 flat-head screws for model L only).

MODELS P, N, R, U

Model	Type	Watts	Ohmic range	Core	Max. Voltage (RMS)*	Behind panel "B" (in./mm Ref.)	Diameter "D" (in./mm Ref.)	Dimension "C" (in./mm Ref.)	Shaft torque	Rotation (±5°)
P	RPS	225	1.0-30K	open	1300	2.125/53.98	5.00 /127.00	2.97 /75.44	2.5-4 lb. in.	310°
N	RNS	300	1.0-50K	open	1225	2.375/60.33	6.00 /152.40	3.44 /87.38	2.5-5 lb. in.	320°
R	RRS	500	1.0-20K	open	1450	2.125/53.98	8.00 /203.20	4.31/109.47	4.5-7 lb. in.	325°
U	RUS	1000	1.0-20K	open	1600	3.000 / 76.2	12.00 /304.80	6.38/162.05	3.5-7 lb. in.	335°

- See Catalog #203 for complete details.



Dimension "M"
P 0.875" 22.23 mm
N 1.188" 30.16 mm
R 1.5" 38.1 mm
U 3" 76.2 mm

Mounting: Panels to 1.25" (31.75mm) thick with 1/4-20 flat-head screws.

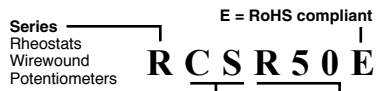
(continued)

Rheostats

(Potentiometers) Wirewound

ORDERING INFORMATION

Code	Watts	Model	Shaft	Core
CL =	7.5	C	Locking	Enclosed
CS =	7.5	J	Standard	Enclosed
EE =	12.5	C	Standard	Enclosed
EL =	12.5	H	Locking	Open
ES =	12.5	C	Standard	Open
GS =	75	H	Standard	Open
HL =	25	H	Locking	Open
HS =	25	H	Standard	Open
JS =	50	J	Standard	Open
KS =	100	K	Standard	Open
LS =	150	L	Standard	Open
NS =	300	N	Standard	Open
PS =	225	P	Standard	Open
RS =	500	R	Standard	Open
US =	1000	U	Standard	Open



Resistance Value*

Example:

- R50 = 0.50Ω
- 1R0 = 1Ω
- 7R5 = 7.5Ω
- 250 = 250Ω
- 1K0 = 1,000Ω
- 1K75 = 1,750Ω
- 4K5 = 4,500Ω
- 50K = 50,000Ω

- RoHS compliant product available. Add "E" suffix to part number to specify.
- Made-to-order rheostats available: Contact nearest Ohmite sales office.
- * Voltage rating dependent on resistance value.

*Check table for standard resistance values and maximum current values

Ohmic value	Part No. Prefix Suffix	7.5W Model C			12.5W Model E			25W Model H			50W Model J	75W Model G	100W Model K	150W Model L	225W Model P	300W Model N	500W Model R	1000W Model U	
		Std. shaft	Locking	Amps max.	Std. shaft	Locking	Enclosed	Amps max.	Std. shaft	Locking	Amps max.	Amps max.	Amps max.	Amps max.	Amps max.	Amps max.	Amps max.	Amps max.	Amps max.
		RCS	RCL		RES	REL	REE		RHS	RHL		RJS	RGS	RKS	RLS	RPS	RNS	RRS	RUS
0.5	R50						3.53				10.0	12.3	14.1	17.3	15.0	17.32	22.3	31.6	
1	1R0						5.00				7.07	8.66	10	12.3	10.6	12.24	18.2	25.8	
1.5	1R5						3.54				5.00	6.12	7.07	8.65	10.6	12.24	15.8	22.4	
2	2R0						2.24				5.00	6.12	7.07	8.65	10.6	12.24	14.1	20.0	
2.5	2R5						2.04				5.00	5.00	5.75	7.07	8.66	10.00	12.9	18.3	
3	3R0						2.04				5.00	5.00	5.75	7.07	8.66	10.00	11.2	15.8	
4	4R0						1.58				5.00	3.88	4.47	5.48	6.71	7.75	10.0	14.1	
5	5R0						1.44				5.00	3.88	4.47	5.48	6.71	7.75	10.0	14.1	
6	6R0						1.44				5.00	3.88	4.47	5.48	6.71	7.75	10.0	14.1	
7.5	7R5						1.25				5.00	3.16	3.65	4.47	5.49	6.32	7.90	11.2	
8	8R0						1.12				5.00	2.74	3.16	3.88	4.74	5.48	7.90	11.2	
10	10R		0.86				1.58				5.00	2.74	3.16	3.88	4.74	5.48	6.30	8.95	
12	12R						1.29				5.00	2.74	3.16	3.88	4.74	5.48	6.30	8.95	
12.5	12R5						0.91				5.00	2.74	3.16	3.88	4.74	5.48	6.30	8.95	
15	15R		0.71				0.91				5.00	2.74	3.16	3.88	4.74	5.48	6.30	8.95	
16	16R						0.91				5.00	2.74	3.16	3.88	4.74	5.48	6.30	8.95	
22	22R						0.91				5.00	2.74	3.16	3.88	4.74	5.48	6.30	8.95	
25	25R		0.55				0.71				5.00	2.74	3.16	3.88	4.74	5.48	6.30	8.95	
35	35R		0.46				0.60				5.00	2.74	3.16	3.88	4.74	5.48	6.30	8.95	
40	40R						0.60				5.00	2.74	3.16	3.88	4.74	5.48	6.30	8.95	
50	50R		0.39				0.50				5.00	2.74	3.16	3.88	4.74	5.48	6.30	8.95	
75	75R		0.32				0.40				5.00	2.74	3.16	3.88	4.74	5.48	6.30	8.95	
80	80R						0.40				5.00	2.74	3.16	3.88	4.74	5.48	6.30	8.95	
100	100R		0.27				0.36				5.00	2.74	3.16	3.88	4.74	5.48	6.30	8.95	
125	125R						0.32				5.00	2.74	3.16	3.88	4.74	5.48	6.30	8.95	
150	150R		0.22				0.29				5.00	2.74	3.16	3.88	4.74	5.48	6.30	8.95	
160	160R						0.29				5.00	2.74	3.16	3.88	4.74	5.48	6.30	8.95	
175	175R						0.27				5.00	2.74	3.16	3.88	4.74	5.48	6.30	8.95	
200	200R		0.19				0.25				5.00	2.74	3.16	3.88	4.74	5.48	6.30	8.95	
225	225R						0.25				5.00	2.74	3.16	3.88	4.74	5.48	6.30	8.95	
250	250R		0.17				0.22				5.00	2.74	3.16	3.88	4.74	5.48	6.30	8.95	
300	300R						0.22				5.00	2.74	3.16	3.88	4.74	5.48	6.30	8.95	
325	325R						0.22				5.00	2.74	3.16	3.88	4.74	5.48	6.30	8.95	
350	350R		0.15				0.19				5.00	2.74	3.16	3.88	4.74	5.48	6.30	8.95	
400	400R						0.19				5.00	2.74	3.16	3.88	4.74	5.48	6.30	8.95	
500	500R		0.12				0.16				5.00	2.74	3.16	3.88	4.74	5.48	6.30	8.95	
600	600R						0.16				5.00	2.74	3.16	3.88	4.74	5.48	6.30	8.95	
700	700R						0.16				5.00	2.74	3.16	3.88	4.74	5.48	6.30	8.95	
750	750R		0.10				0.13				5.00	2.74	3.16	3.88	4.74	5.48	6.30	8.95	
800	800R						0.13				5.00	2.74	3.16	3.88	4.74	5.48	6.30	8.95	
900	900R						0.13				5.00	2.74	3.16	3.88	4.74	5.48	6.30	8.95	
1000	1000R		0.086				0.10				5.00	2.74	3.16	3.88	4.74	5.48	6.30	8.95	
1200	1200R						0.10				5.00	2.74	3.16	3.88	4.74	5.48	6.30	8.95	
1250	1250R						0.10				5.00	2.74	3.16	3.88	4.74	5.48	6.30	8.95	
1500	1500R		0.071				0.090				5.00	2.74	3.16	3.88	4.74	5.48	6.30	8.95	
1600	1600R						0.090				5.00	2.74	3.16	3.88	4.74	5.48	6.30	8.95	
1750	1750R						0.090				5.00	2.74	3.16	3.88	4.74	5.48	6.30	8.95	
1800	1800R						0.090				5.00	2.74	3.16	3.88	4.74	5.48	6.30	8.95	
2000	2000R						0.090				5.00	2.74	3.16	3.88	4.74	5.48	6.30	8.95	
2250	2250R						0.090				5.00	2.74	3.16	3.88	4.74	5.48	6.30	8.95	
2500	2500R		0.055				0.070				5.00	2.74	3.16	3.88	4.74	5.48	6.30	8.95	
3000	3000R						0.070				5.00	2.74	3.16	3.88	4.74	5.48	6.30	8.95	
3500	3500R		0.046				0.060				5.00	2.74	3.16	3.88	4.74	5.48	6.30	8.95	
4500	4500R						0.060				5.00	2.74	3.16	3.88	4.74	5.48	6.30	8.95	
5000	5000R		0.039				0.050				5.00	2.74	3.16	3.88	4.74	5.48	6.30	8.95	
7500	7500R						0.041				5.00	2.74	3.16	3.88	4.74	5.48	6.30	8.95	
8000	8000R						0.041				5.00	2.74	3.16	3.88	4.74	5.48	6.30	8.95	
10000	10000R						0.035				5.00	2.74	3.16	3.88	4.74	5.48	6.30	8.95	
12500	12500R						0.031				5.00	2.74	3.16	3.88	4.74	5.48	6.30	8.95	
15000	15000R						0.029				5.00	2.74	3.16	3.88	4.74	5.48	6.30	8.95	
20000	20000R						0.041				5.00	2.74	3.16	3.88	4.74	5.48	6.30	8.95	
25000	25000R						0.035				5.00	2.74	3.16	3.88	4.74	5.48	6.30	8.95	
30000	30000R						0.032				5.00	2.74	3.16	3.88	4.74	5.48	6.30	8.95	
40000	40000R						0.041				5.00	2.74	3.16	3.88	4.74	5.48	6.30	8.95	
50000	50000R						0.035				5.00	2.74	3.16	3.88	4.74	5.48	6.30	8.95	

✓ = Standard values; check availability
 Rheostats are silicone-ceramic coated at and above the following ohmic values:
 Model C: all
 Model E: 750Ω
 Model H: 2000Ω
 Model J: 5000Ω
 Model G: 5000Ω
 Model K: 5000Ω
 Model L: 7500Ω



Компания «ЭлектроПласт» предлагает заключение долгосрочных отношений при поставках импортных электронных компонентов на взаимовыгодных условиях!

Наши преимущества:

- Оперативные поставки широкого спектра электронных компонентов отечественного и импортного производства напрямую от производителей и с крупнейших мировых складов;
- Поставка более 17-ти миллионов наименований электронных компонентов;
- Поставка сложных, дефицитных, либо снятых с производства позиций;
- Оперативные сроки поставки под заказ (от 5 рабочих дней);
- Экспресс доставка в любую точку России;
- Техническая поддержка проекта, помощь в подборе аналогов, поставка прототипов;
- Система менеджмента качества сертифицирована по Международному стандарту ISO 9001;
- Лицензия ФСБ на осуществление работ с использованием сведений, составляющих государственную тайну;
- Поставка специализированных компонентов (Xilinx, Altera, Analog Devices, Intersil, Interpoint, Microsemi, Aeroflex, Peregrine, Syfer, Eurofarad, Texas Instrument, Miteq, Cobham, E2V, MA-COM, Hittite, Mini-Circuits, General Dynamics и др.);

Помимо этого, одним из направлений компании «ЭлектроПласт» является направление «Источники питания». Мы предлагаем Вам помощь Конструкторского отдела:

- Подбор оптимального решения, техническое обоснование при выборе компонента;
- Подбор аналогов;
- Консультации по применению компонента;
- Поставка образцов и прототипов;
- Техническая поддержка проекта;
- Защита от снятия компонента с производства.



Как с нами связаться

Телефон: 8 (812) 309 58 32 (многоканальный)

Факс: 8 (812) 320-02-42

Электронная почта: org@eplast1.ru

Адрес: 198099, г. Санкт-Петербург, ул. Калинина, дом 2, корпус 4, литера А.