

## Precision Rotative Transducers, Conductive Plastic, Servo Mounting



A complete range of servo mounting rotational transducers for applications requiring long life accuracy and speed.

### FEATURES

- Size 08 to 30
- Linearity  $\pm 1\%$  down to  $\pm 0.015\%$
- Excellent repeatability
- Long life
- Essentially infinite resolution
- Up to 6 electrical functions with the same shaft
- On request custom design to meet your specifications
- Following MIL-R-39023 and NFC 93-255 requirements
- Material categorization: for definitions of compliance please see [www.vishay.com/doc?99912](http://www.vishay.com/doc?99912)



**RoHS**  
COMPLIANT

### QUICK REFERENCE DATA

Sensor type	ROTATIONAL, conductive plastic
Output type	Output by turrets
Market appliance	Professional
Dimensions	Various sizes

### ELECTRICAL SPECIFICATIONS

Size	08	09	11	13	15	18	20	30
Model	34 SF	78 SF	116 SF	156 SF	176 SF	134 SF	200 SF	300 SF
Functions	Linear, on request specific law							
Theoretical electrical angle (TEA)	TEA = actual electrical angle (AEA) - 2°							
Independent linearity (over TEA)	A $\leq \pm 1\%$ or B $\leq \pm 0.5\%$ or C $\leq \pm 0.25\%$ or D $\leq \pm 0.1\%$							
On request best linearity available	D $\leq \pm 0.1\%$		Down to E $\leq \pm 0.05\%$		Down to F $\leq \pm 0.025\%$		Down to $\leq \pm 0.015\%$	
Actual electrical angle (AEA)	340° $\pm 3^\circ$			350° $\pm 2^\circ$				
Ohmic values (R <sub>T</sub> )	1 k $\Omega$ - 2 k $\Omega$ - 5 k $\Omega$ - 10 k $\Omega$ - on request other values							
Ohmic value tolerances at 20 °C	$\pm 10\%$ ; on request $\pm 5\%$							
Output smoothness	$\leq 0.025\%$						On request $\leq 0.01\%$	
Maximum power rating at 70 °C	0.25 W	0.3 W	0.4 W	0.5 W	0.75 W	1.0 W	1.2 W	1.5 W
Wiper current/load resistance	Recommended: a few $\mu\text{A}$ - 1 mA max. continuous/minimum $10^3 \times R_T$							
Tap (current or voltage)	U = Current				{ Position: $\pm 2^\circ$		{ Width: $\leq 4^\circ$ /T = voltage Position: $\pm 2^\circ$	
On request with angular position to be specified								
Repeatability	$\leq 0.01\%$							
End voltage	$\leq 0.4\%$ for 470 $\Omega$ v $R_T \leq 1000 \Omega$ / $\leq 0.2\%$ for 1000 $\Omega \leq R_T \leq 2200 \Omega$ / $\leq 0.1\%$ $R_T > 2200 \Omega$							
Insulation resistance	$\geq 1000 \text{ M}\Omega$ , 500 V <sub>DC</sub>							
Dielectric strength	$\leq 750 \text{ V}_{\text{RMS}}$ , 50 Hz				$\leq 1000 \text{ V}_{\text{RMS}}$ , 50 Hz			

### MECHANICAL SPECIFICATIONS

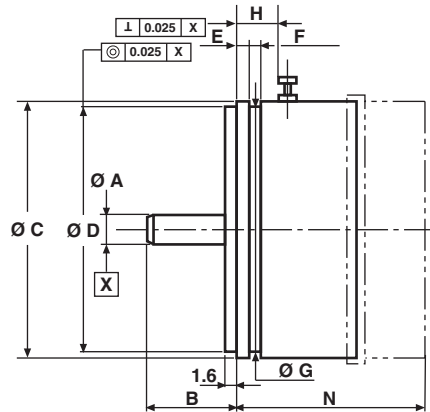
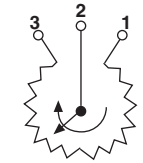
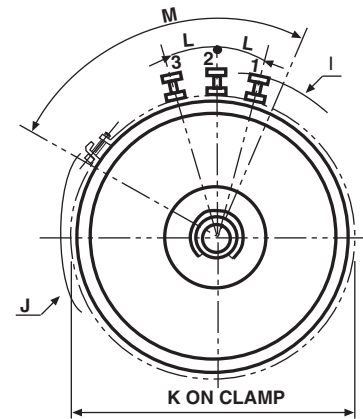
Mechanical rotation	360° continuous; stops on request							
Mounting/shaft guiding	Servo/ball bearings							
Housing	Diallylphthalate; on request anodized aluminum							
Shaft material/common option	Stainless steel/screw driver slot							
Termination	Turrets; on request flexible leads, cables...							
Wiper	Precious metal multi-finger contact							
Starting torque (N.cm)	1 cup		0.2		0.15		0.25	
	each additional cup							
Moment of inertia (g. cm <sup>2</sup> )	0.3	0.4	0.6	0.8	2.2	2.8	3.5	10
Weight (g)	1 cup		20 $\pm 2$		49 $\pm 2$		120 $\pm 10$	
	each additional cup							

### PERFORMANCE

Life (million of cycles)	$\geq 50$							
Temperature range	-55 °C to +125 °C							
Climatic category	55/125/04							
Maximum rotation speed (RPM)	600							
Sine vibration on 3 axes	1.5 mm or 20 g from 10 Hz to 2000 Hz							
Mechanical shocks on 3 axes	50 g - 11 ms - half sine							

#### Note

- Nothing stated herein shall be construed as a guarantee of quality or durability.

**DIMENSIONS** in millimeters, general tolerance  $\pm 0.5$  mm

**ELECTRICAL CONNECTIONS**

 CLOCK WISE  
VIEWED FROM  
SHAFT SIDE


DIMENSIONS	DESIGNATION	SIZE	POTENTIOMETER REFERENCE							
			08	09	11	13	15	18	20	30
			MODEL	34 SF	78 SF	116 SF	156 SF	176 SF	134 SF	200 SF
A - 0 - 0.013	$\varnothing$ shaft stainless steel		3.175	3.175	3.175	3.175	6.345	6.345	6.345	6.345
B max.	Shaft length		13	16.6	16.6	16.6	16.6	16.6	16.6	16.6
C max.	$\varnothing$ body plastic molded		19.18	22.3	27.07	33.35	36.6	44.5	50.9	76.3
D	$\varnothing$ flange		15.875	19.05	24.608	30.16	33.337	39.674	47.625	73.025
	Tolerance on flange		+0 - 13 $\mu$ m						+0 - 25 $\mu$ m	
E	Shoulder		1.6	1.6	1.6	1.6	1.6	1.6	2.4	2.4
F min.	Width of groove		1.5	1.5	1.5	1.5	2.2	1.8	2.2	1.75
$\varnothing$ G max.	Diameter of groove		17.57	19.8	24.8	30.9	33.3	41.4	47.6	73.1
H min.	Turret location		5.8	5.95	6.3	6.3	7	10.15	10.2	10.2
I max.	Radius on turrets		14	15.4	17.3	20.5	23.1	26.5	29.7	43.7
J max.	Radius on screw clamp		13.5	15.4	17.3	18.9	23.1	26.5	29.7	42.6
K max.	$\varnothing$ on clamp		19.6	23.8	27.7	33.6	37.4	44.5	50.8	77.5
$L \pm 2^\circ$	Angle between turrets		30°	30°	25°	20°	20°	25°	15°	15°
M max.	Total angle		100°	100°	100°	100°	80°	80°	80°	80°
N max.	1 cup		16	20.5	20.5	20.5	23.5	23.5	23.5	23
	2 cups		23	27	23	25.5	26.13	26	28.5	34.5
	3 cups		36	40	36	39.5	39.5	39.5	40.97	-
	4 cups		42	50	42	47	49.5	49.5	50.72	-
	5 cups		54.5	63	54	60.5	62.5	62.5	64.5	-
	6 cups		60.5	74	60.5	68.5	73.5	73.5	74.5	-

**ORDERING INFORMATION/DESCRIPTION**

ROT	156	S	F	1	C	T	502	e1
SERIES	MODEL	MOUNTING TYPE	CONDUCTOR	NUMBER OF CUPS	LINEARITY	TAP	OHMIC VALUE	LEAD FINISH
		S: Servo	F: Plastic film	From 1 up to 6	A: $\pm 1\%$ B: $\pm 0.5\%$ C: $\pm 0.25\%$ D: $\pm 0.1\%$ E: $\pm 0.05\%$ F: $\pm 0.025\%$	On request T: Voltage U: Current position to be specified	First 2 digits are significant numbers 3 <sup>rd</sup> digit indicates number of zeros	

**Note**

- Special characteristics designs on request

**SAP PART NUMBERING GUIDELINES**

RO 116SF	1	D	502
MODEL	GANG NUMBER	LINEARITY	OHMIC VALUE
	From 1 up to 6		5 k $\Omega$



## Disclaimer

ALL PRODUCT, PRODUCT SPECIFICATIONS AND DATA ARE SUBJECT TO CHANGE WITHOUT NOTICE TO IMPROVE RELIABILITY, FUNCTION OR DESIGN OR OTHERWISE.

Vishay Intertechnology, Inc., its affiliates, agents, and employees, and all persons acting on its or their behalf (collectively, "Vishay"), disclaim any and all liability for any errors, inaccuracies or incompleteness contained in any datasheet or in any other disclosure relating to any product.

Vishay makes no warranty, representation or guarantee regarding the suitability of the products for any particular purpose or the continuing production of any product. To the maximum extent permitted by applicable law, Vishay disclaims (i) any and all liability arising out of the application or use of any product, (ii) any and all liability, including without limitation special, consequential or incidental damages, and (iii) any and all implied warranties, including warranties of fitness for particular purpose, non-infringement and merchantability.

Statements regarding the suitability of products for certain types of applications are based on Vishay's knowledge of typical requirements that are often placed on Vishay products in generic applications. Such statements are not binding statements about the suitability of products for a particular application. It is the customer's responsibility to validate that a particular product with the properties described in the product specification is suitable for use in a particular application. Parameters provided in datasheets and/or specifications may vary in different applications and performance may vary over time. All operating parameters, including typical parameters, must be validated for each customer application by the customer's technical experts. Product specifications do not expand or otherwise modify Vishay's terms and conditions of purchase, including but not limited to the warranty expressed therein.

Except as expressly indicated in writing, Vishay products are not designed for use in medical, life-saving, or life-sustaining applications or for any other application in which the failure of the Vishay product could result in personal injury or death. Customers using or selling Vishay products not expressly indicated for use in such applications do so at their own risk. Please contact authorized Vishay personnel to obtain written terms and conditions regarding products designed for such applications.

No license, express or implied, by estoppel or otherwise, to any intellectual property rights is granted by this document or by any conduct of Vishay. Product names and markings noted herein may be trademarks of their respective owners.

## Material Category Policy

**Vishay Intertechnology, Inc. hereby certifies that all its products that are identified as RoHS-Compliant fulfill the definitions and restrictions defined under Directive 2011/65/EU of The European Parliament and of the Council of June 8, 2011 on the restriction of the use of certain hazardous substances in electrical and electronic equipment (EEE) - recast, unless otherwise specified as non-compliant.**

**Please note that some Vishay documentation may still make reference to RoHS Directive 2002/95/EC. We confirm that all the products identified as being compliant to Directive 2002/95/EC conform to Directive 2011/65/EU.**

**Vishay Intertechnology, Inc. hereby certifies that all its products that are identified as Halogen-Free follow Halogen-Free requirements as per JEDEC JS709A standards. Please note that some Vishay documentation may still make reference to the IEC 61249-2-21 definition. We confirm that all the products identified as being compliant to IEC 61249-2-21 conform to JEDEC JS709A standards.**



Компания «ЭлектроПласт» предлагает заключение долгосрочных отношений при поставках импортных электронных компонентов на взаимовыгодных условиях!

Наши преимущества:

- Оперативные поставки широкого спектра электронных компонентов отечественного и импортного производства напрямую от производителей и с крупнейших мировых складов;
- Поставка более 17-ти миллионов наименований электронных компонентов;
- Поставка сложных, дефицитных, либо снятых с производства позиций;
- Оперативные сроки поставки под заказ (от 5 рабочих дней);
- Экспресс доставка в любую точку России;
- Техническая поддержка проекта, помощь в подборе аналогов, поставка прототипов;
- Система менеджмента качества сертифицирована по Международному стандарту ISO 9001;
- Лицензия ФСБ на осуществление работ с использованием сведений, составляющих государственную тайну;
- Поставка специализированных компонентов (Xilinx, Altera, Analog Devices, Intersil, Interpoint, Microsemi, Aeroflex, Peregrine, Syfer, Eurofarad, Texas Instrument, Miteq, Cobham, E2V, MA-COM, Hittite, Mini-Circuits, General Dynamics и др.);

Помимо этого, одним из направлений компании «ЭлектроПласт» является направление «Источники питания». Мы предлагаем Вам помощь Конструкторского отдела:

- Подбор оптимального решения, техническое обоснование при выборе компонента;
- Подбор аналогов;
- Консультации по применению компонента;
- Поставка образцов и прототипов;
- Техническая поддержка проекта;
- Защита от снятия компонента с производства.



#### Как с нами связаться

**Телефон:** 8 (812) 309 58 32 (многоканальный)

**Факс:** 8 (812) 320-02-42

**Электронная почта:** [org@eplast1.ru](mailto:org@eplast1.ru)

**Адрес:** 198099, г. Санкт-Петербург, ул. Калинина, дом 2, корпус 4, литера А.