



## Single Port 16W Power over Ethernet Interchangeable Wall Plug\* Adapter Power Injector



\*Plugs sold separately

### Features

- Fully Compliant with IEEE802.3af
- Non-Vented Case
- Field Interchangeable AC Clips\*
- 1 Year Warranty
- 10/100/1000 data speed
- Lowest Cost
- Full Protection OCP, OVP
- Diagnostic LEDs

### Applications

- IP Telephones
- Wireless Network Access Points
- Blue Tooth Access Points
- Security Cameras
- IP Print Servers

### Safety Approvals

- cUL/UL
- SAA
- CE
- C-Tick

### Mechanical Characteristics

- Length: 80mm (3.15in)
- Width: 45mm (1.77in)
- Height: 33mm (1.29in)
- Weight: 95g (3.35oz.)

### Output Specifications

Model	DC Output Voltage	Load		Output Power	Regulation	
		Min.	Max.		Line	Load
POE16R-1AFG-R	56V	0A	0.275A	15.4W	54-57VDC	

**INPUT:**

**AC Input Voltage Range**  
90 to 264VAC

**AC Input Voltage Rating**  
100 to 240VAC

**AC Input Current**  
0.8A (RMS) max for 90VAC  
0.5A (RMS) max for 240VAC

**Leakage Current**  
0.25mA max @ 254VAC 60Hz

**AC Input Frequency**  
47-63Hz

**AC Inrush Current**  
15A (RMS) max for 115VAC  
20A (RMS) max for 230VAC

**OUTPUT:**

**Total Output Power**  
15.4W

**Ripple and Regulation**  
150mV max

**Efficiency<sup>2</sup>**  
75% (typical) at max load, 120VAC 60Hz

**Transient O/P Voltage Protection**  
60V max at switch on/off, any AC line phase

**ENVIRONMENTAL:****Temperature**

Operation	0 to +40°C
Non-operation	-25 to +65°C
Humidity	5 to 90%

**EMC**

Complies with FCC Class B  
Complies with EN55032 Class B

**Immunity**

ESD:	EN61000-4-2. Level 3
RS:	EN61000-4-3. Level 2
EFT:	EN61000-4-4. Level 2
Surge:	EN61000-4-5. Level 3
CS:	EN61000-4-6. Level 2
Voltage Dips	EN61000-4-11
Harmonic:	EN61000-3-2 Class A

**Isolation Test**

Primary to Secondary: 3000VAC for 1 second  
10mA

**Insulation Resistance**

Primary to Secondary: >10M OHM 500VDC

**FEATURES:****Over Voltage/Current, Short Circuit Protection**

The output is equipped with short circuit protection and overload protection as per IEEE802.3af specifications and conforms to UL60950-2. The output can be shorted permanently without damage.

**Hold-up Time**

16mS min. 120VAC and max load

**Indicator**

Solid Green: Valid IEEE802.3af load detected and connected "ON"  
Blinking Green/Red: Invalid load connected  
Solid LED: Fault detected

**Data in/Output Connector**

RJ45

**Output Connection**

+pin 3,6 / -pins 1,2

**Notes:**

1. The characteristics defined are at ambient temperature of 25°C unless otherwise specified
2. Efficiency is measured after 30 minutes burn-in

**Warranty**

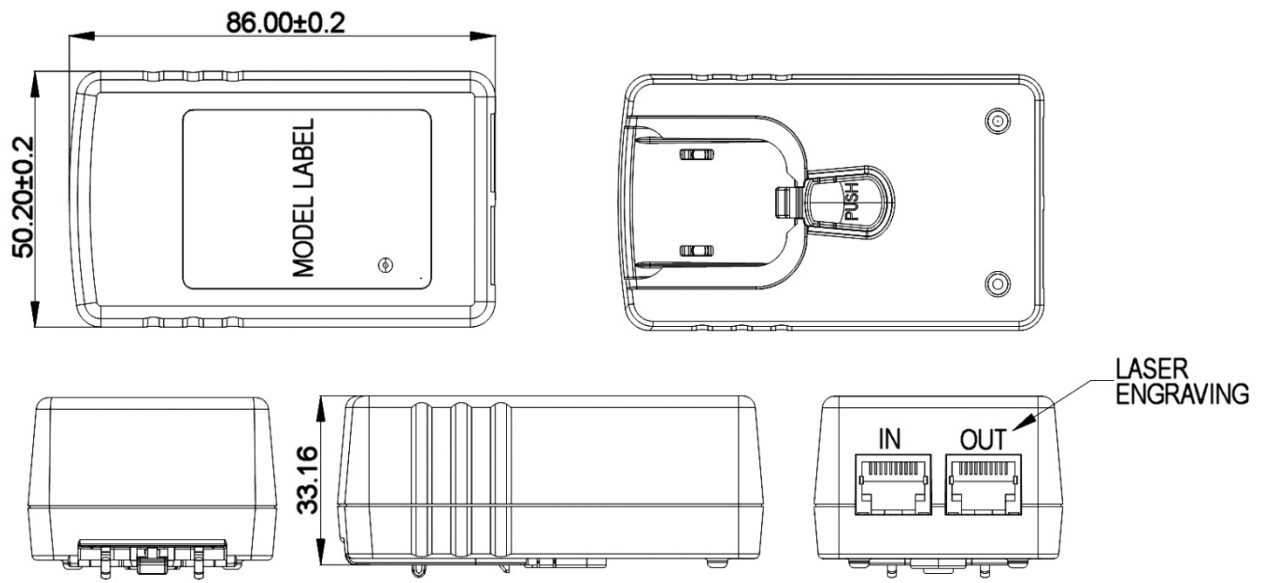
1 Year

**Interchangeable AC Clips**

**(Sold Separately)**

RPA:	US	RPI:	India
RPB:	Brazil	RPK:	UK
RPC:	China	RPN:	Argentina
RPE:	Europe	RPS:	Australia
RPH:	Korea	RPX:	C8

**Dimensional Diagram Unit: mm**



**Supplier's Declaration of Conformity**  
**47 CFR § 2.1077 Compliance Information**

Phihong USA Corporation  
47800 Fremont Boulevard  
Fremont, CA 94538  
Telephone: (510) 445-0100  
[www.phihong.com](http://www.phihong.com)

NOTE: This model has/The models in this product series have been tested and found to comply with the limits for a Class B digital device, pursuant to part 15 of the FCC Rules. These limits are designed to provide reasonable protection against harmful interference in a residential installation. This equipment generates, uses and can radiate radio frequency energy and, if not installed and used in accordance with the instructions, may cause harmful interference to radio communications. However, there is no guarantee that interference will not occur in a particular installation. If this equipment does cause harmful interference to radio or television reception, which can be determined by turning the equipment off and on, the user is encouraged to try to correct the interference by one or more of the following measures:

- Reorient or relocate the receiving antenna.
- Increase the separation between the equipment and receiver.
- Connect the equipment into an outlet on a circuit different from that to which the receiver is connected.
- Consult the dealer or an experienced radio/TV technician for help.

Changes or modifications to equipment not expressly approved by PHIHONG could void the user's authority to operate the equipment.



Компания «ЭлектроПласт» предлагает заключение долгосрочных отношений при поставках импортных электронных компонентов на взаимовыгодных условиях!

Наши преимущества:

- Оперативные поставки широкого спектра электронных компонентов отечественного и импортного производства напрямую от производителей и с крупнейших мировых складов;
- Поставка более 17-ти миллионов наименований электронных компонентов;
- Поставка сложных, дефицитных, либо снятых с производства позиций;
- Оперативные сроки поставки под заказ (от 5 рабочих дней);
- Экспресс доставка в любую точку России;
- Техническая поддержка проекта, помощь в подборе аналогов, поставка прототипов;
- Система менеджмента качества сертифицирована по Международному стандарту ISO 9001;
- Лицензия ФСБ на осуществление работ с использованием сведений, составляющих государственную тайну;
- Поставка специализированных компонентов (Xilinx, Altera, Analog Devices, Intersil, Interpoint, Microsemi, Aeroflex, Peregrine, Syfer, Eurofarad, Texas Instrument, Miteq, Cobham, E2V, MA-COM, Hittite, Mini-Circuits, General Dynamics и др.);

Помимо этого, одним из направлений компании «ЭлектроПласт» является направление «Источники питания». Мы предлагаем Вам помощь Конструкторского отдела:

- Подбор оптимального решения, техническое обоснование при выборе компонента;
- Подбор аналогов;
- Консультации по применению компонента;
- Поставка образцов и прототипов;
- Техническая поддержка проекта;
- Защита от снятия компонента с производства.



#### Как с нами связаться

**Телефон:** 8 (812) 309 58 32 (многоканальный)

**Факс:** 8 (812) 320-02-42

**Электронная почта:** [org@eplast1.ru](mailto:org@eplast1.ru)

**Адрес:** 198099, г. Санкт-Петербург, ул. Калинина, дом 2, корпус 4, литера А.