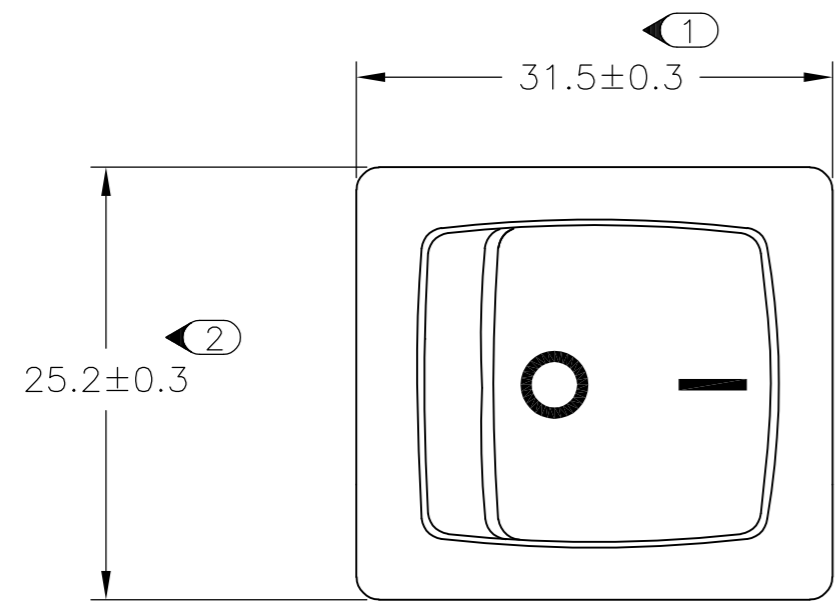
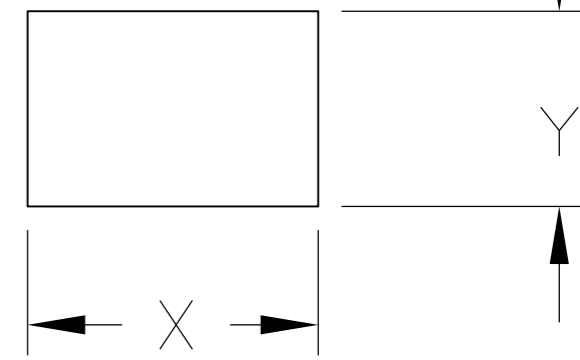


THIS DRAWING IS UNPUBLISHED. RELEASED FOR PUBLICATION 30/OCT ,2003.  
 © COPYRIGHT 2003 BY TYCO ELECTRONICS CORPORATION. ALL RIGHTS RESERVED.

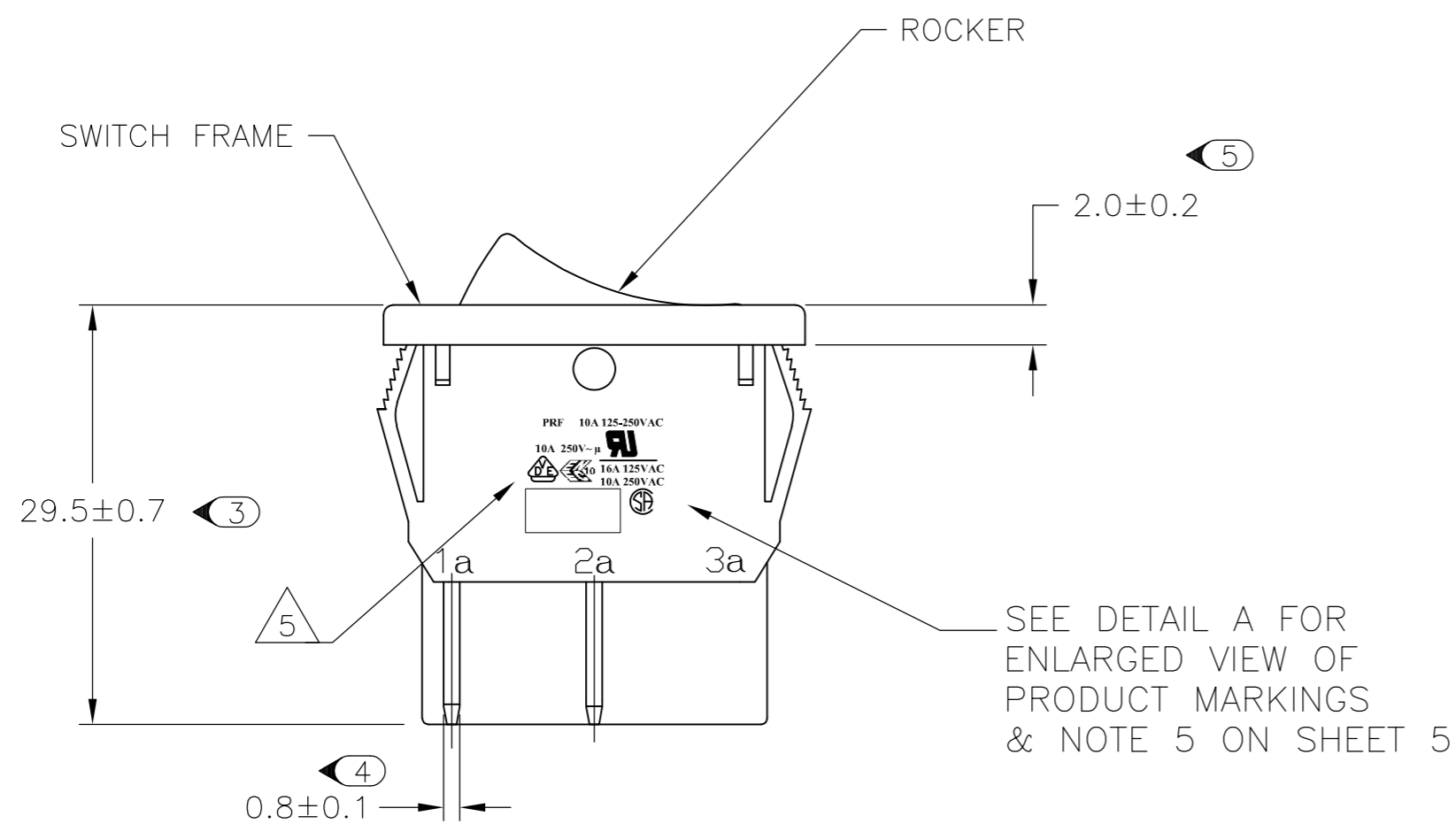
LOC		DIST		REVISIONS			
P	LTR	DESCRIPTION	DATE	DWN	APVD		
D		REVISED PER ECO-10-025607	21DEC10	HMR	MW		



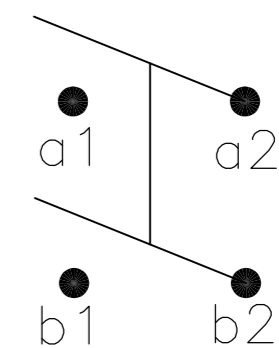
PANEL CUT OUT



2.00-3.00	30.20	22.20
1.25-2.00	30.20	22.20
0.75-1.25	30.20	22.20
PANEL THICKNESS	X	Y



CIRCUIT DIAGRAM



PRODUCT MARKING

DETAIL A

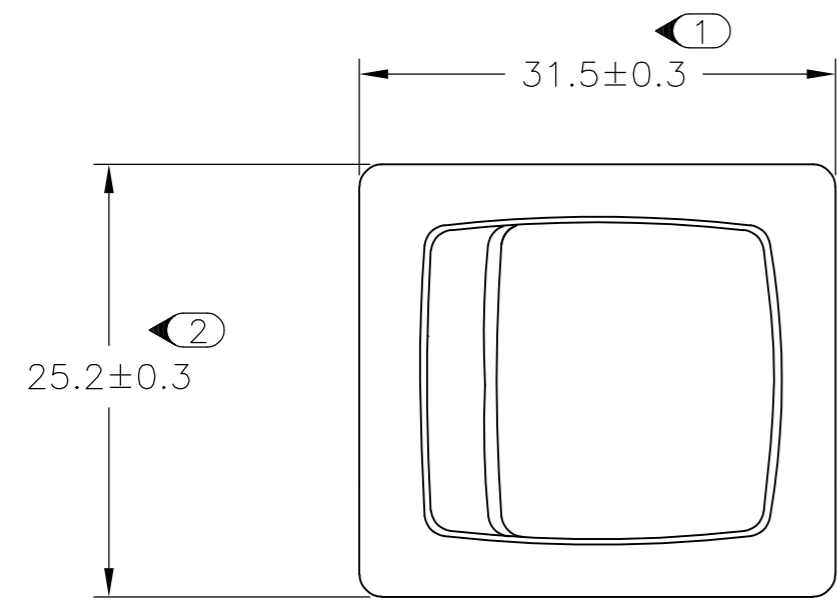
**PRF 10A 125-250VAC**  
**10A 250V~μ**   
**16A 125VAC**  
**10A 250VAC**

TYCO ELECTRONICS LOGO   
 PER TEC-202-36

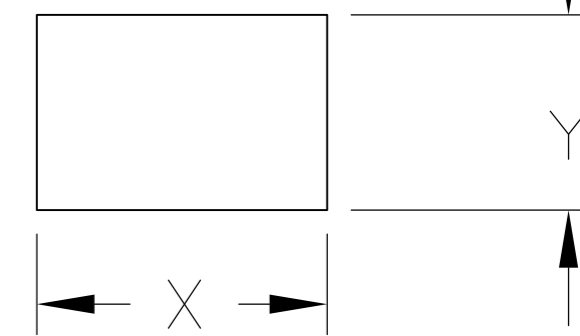
1634201-2 SHOWN ON-OFF

THIS DRAWING IS A CONTROLLED DOCUMENT.		DWN S.SHACKSON 28JAN2003	Tyco Electronics Corporation Harrisburg, PA 17057	
DIMENSIONS: MM		CHK H.KAUTZ 28JAN2003	NAME POWER ROCKER SWITCH, 30.2mm X 22.2mm PANEL CUT-OUT SIZE, DOUBLE POLE, SINGLE THROW, NON-ILLUMINATED	
TOLERANCES UNLESS OTHERWISE SPECIFIED: 0 PLC ± - 1 PLC ± 0.5 2 PLC ± - 3 PLC ± - 4 PLC ± - ANGLES ± - FINISH		APVD H.KAUTZ 28JAN2003	RESTRICTED TO	
MATERIAL		PRODUCT SPEC NOT APPLICABLE	SIZE A2	CAGE CODE 00779
WEIGHT		APPLICATION SPEC NOT APPLICABLE	DRAWING NO C=1634201	
CUSTOMER DRAWING		SCALE 3:1		SHEET 1 OF 5
		REV D		

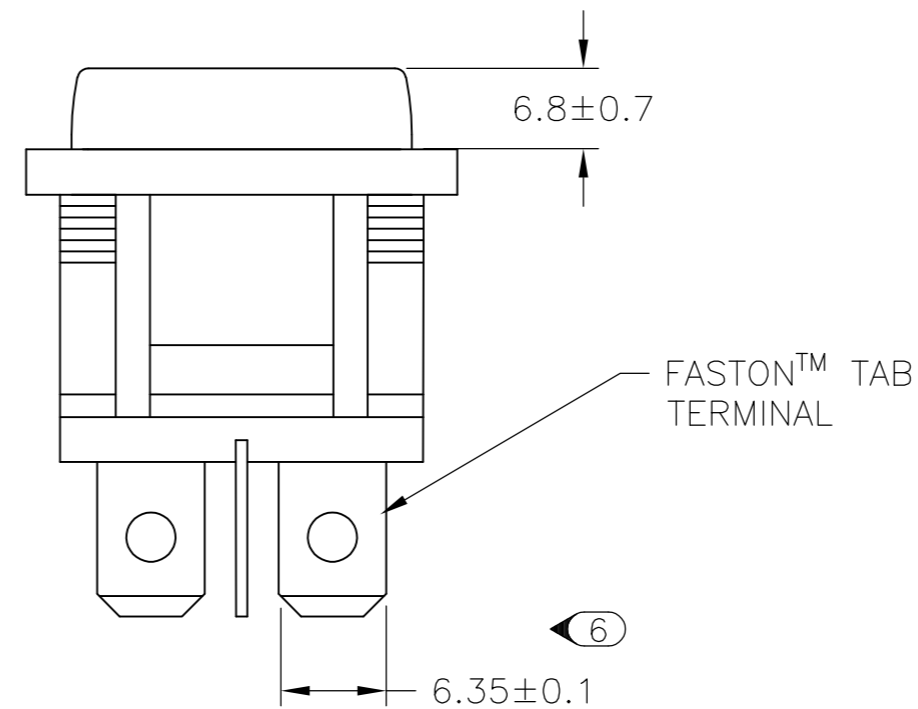
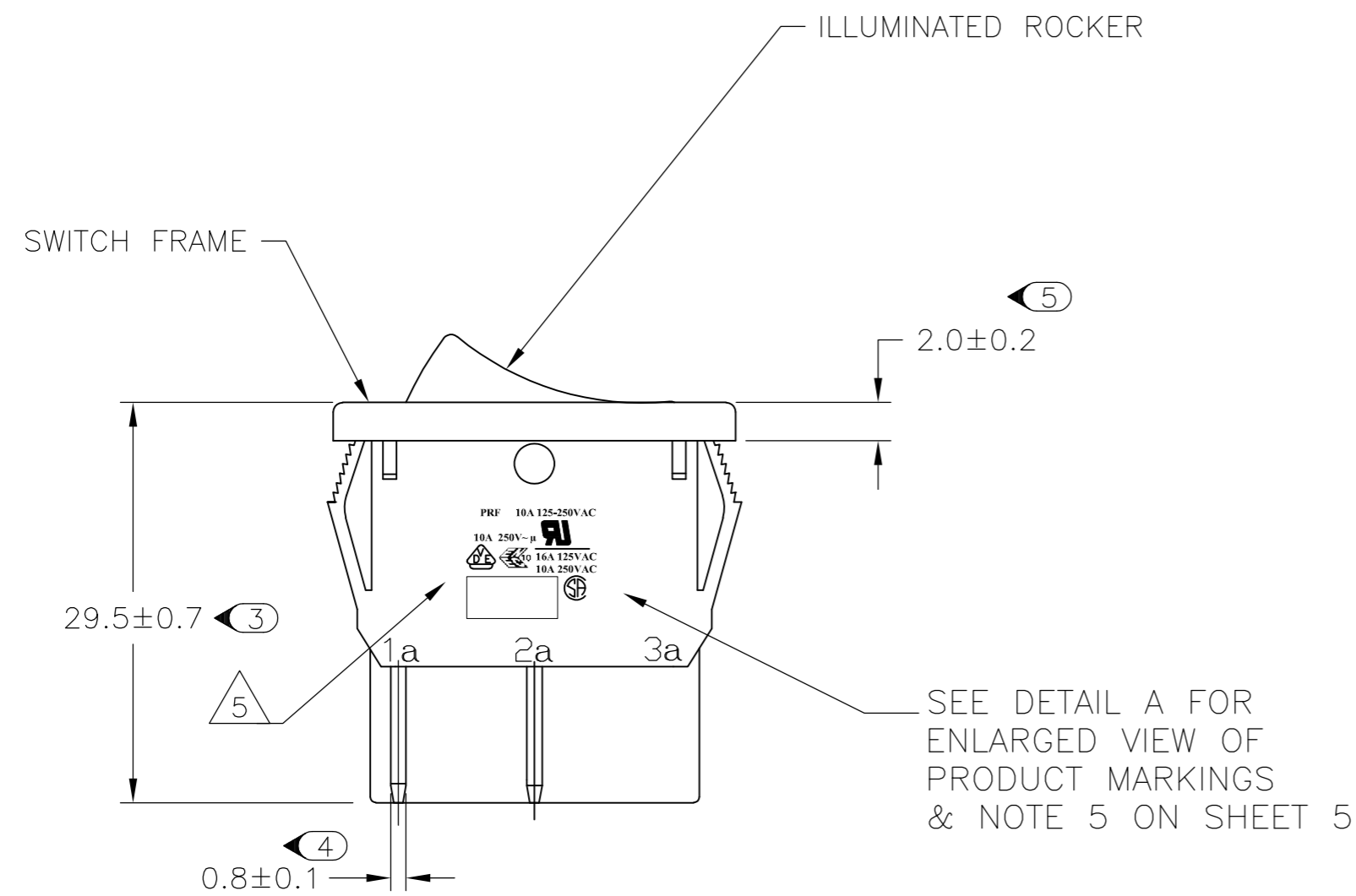
LOC	DIST	REVISIONS					
E	B	P	LTR	DESCRIPTION	DATE	DWN	APVD
		-		SEE SHEET 1		-	-



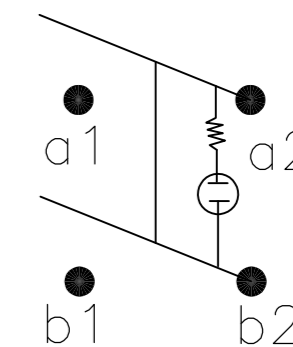
PANEL CUT OUT



2.00-3.00	30.20	22.20
1.25-2.00	30.20	22.20
0.75-1.25	30.20	22.20
PANEL THICKNESS	X	Y

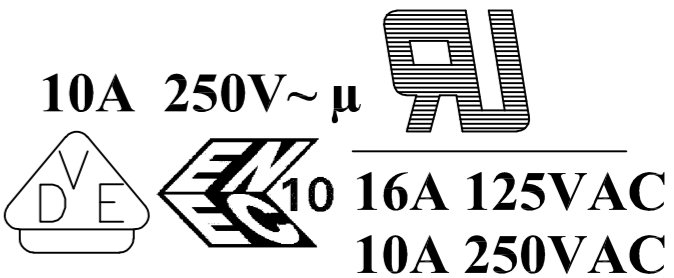


CIRCUIT DIAGRAM



PRODUCT MARKING  
DETAIL A

PRF 10A 125-250VAC



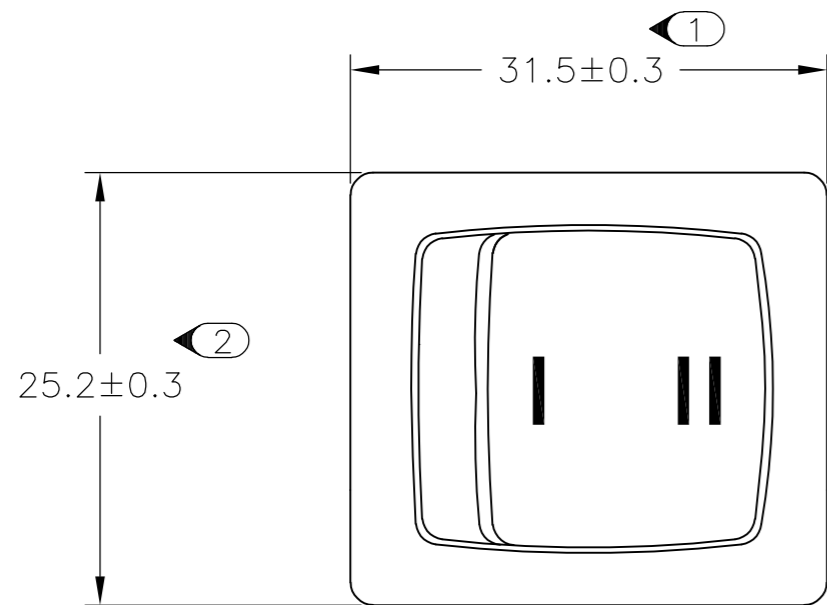
TYCO ELECTRONICS LOGO PER TEC-202-36

1634201-5 SHOWN ON-OFF GREEN ILLUMINATED

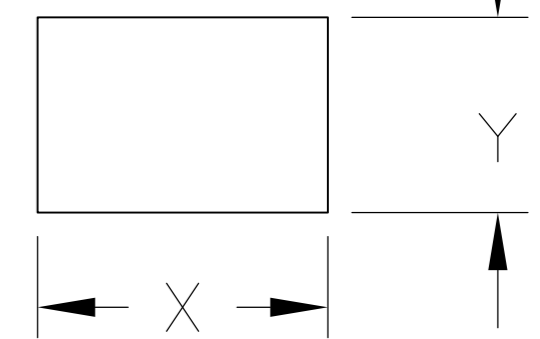
THIS DRAWING IS A CONTROLLED DOCUMENT.		DWN	28JAN2003	Tyco Electronics Corporation	
DIMENSIONS: MM		CHK <td>28JAN2003 <td colspan="2">Harrisburg, PA 17057</td> </td>	28JAN2003 <td colspan="2">Harrisburg, PA 17057</td>	Harrisburg, PA 17057	
TOLERANCES UNLESS OTHERWISE SPECIFIED:		APVD <td>28JAN2003 <td colspan="2">NAME</td> </td>	28JAN2003 <td colspan="2">NAME</td>	NAME	
0 PLC	± -	PRODUCT SPEC		POWER ROCKER SWITCH, 30.2mm X 22.2mm	
1 PLC	± 0.5	APPLICATION SPEC		PANEL CUT-OUT SIZE, DOUBLE POLE, SINGLE THROW, NON-ILLUMINATED	
2 PLC	±	WEIGHT	-	SIZE	RESTRICTED TO
3 PLC	± -	FINISH		A2	-
4 PLC	± -	CUSTOMER DRAWING		CAGE CODE	SCALE
ANGLES	± -			00779	3:1
				DRAWING NO	SHEET
				C=1634201	2 OF 5
					REV
					D

THIS DRAWING IS UNPUBLISHED. RELEASED FOR PUBLICATION 30/OCT ,2003.  
 © COPYRIGHT 2003 BY TYCO ELECTRONICS CORPORATION. ALL RIGHTS RESERVED.

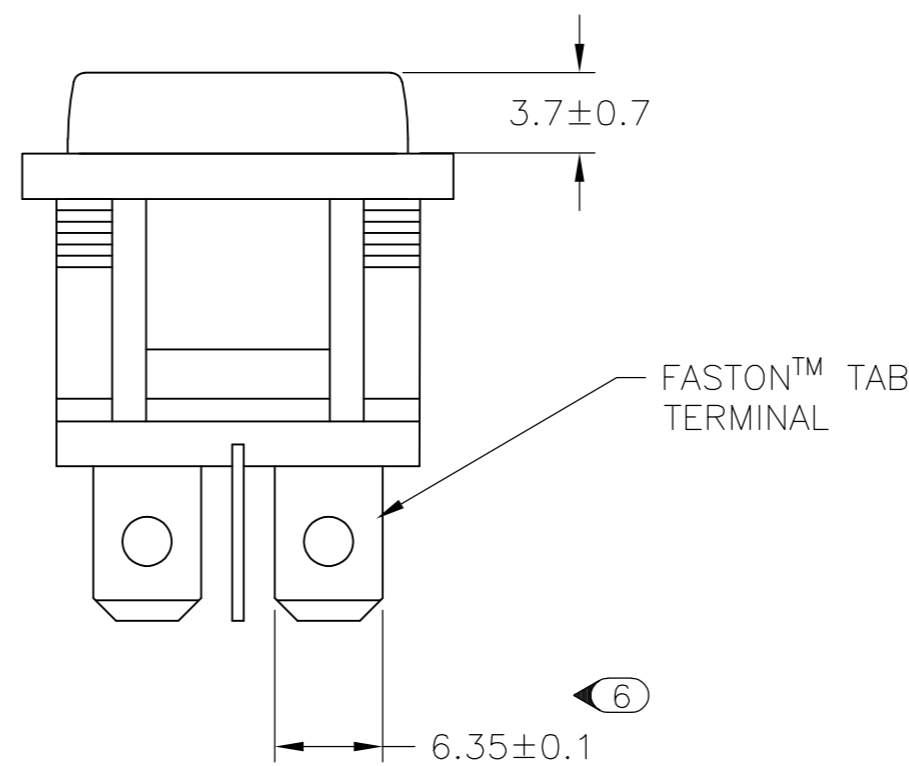
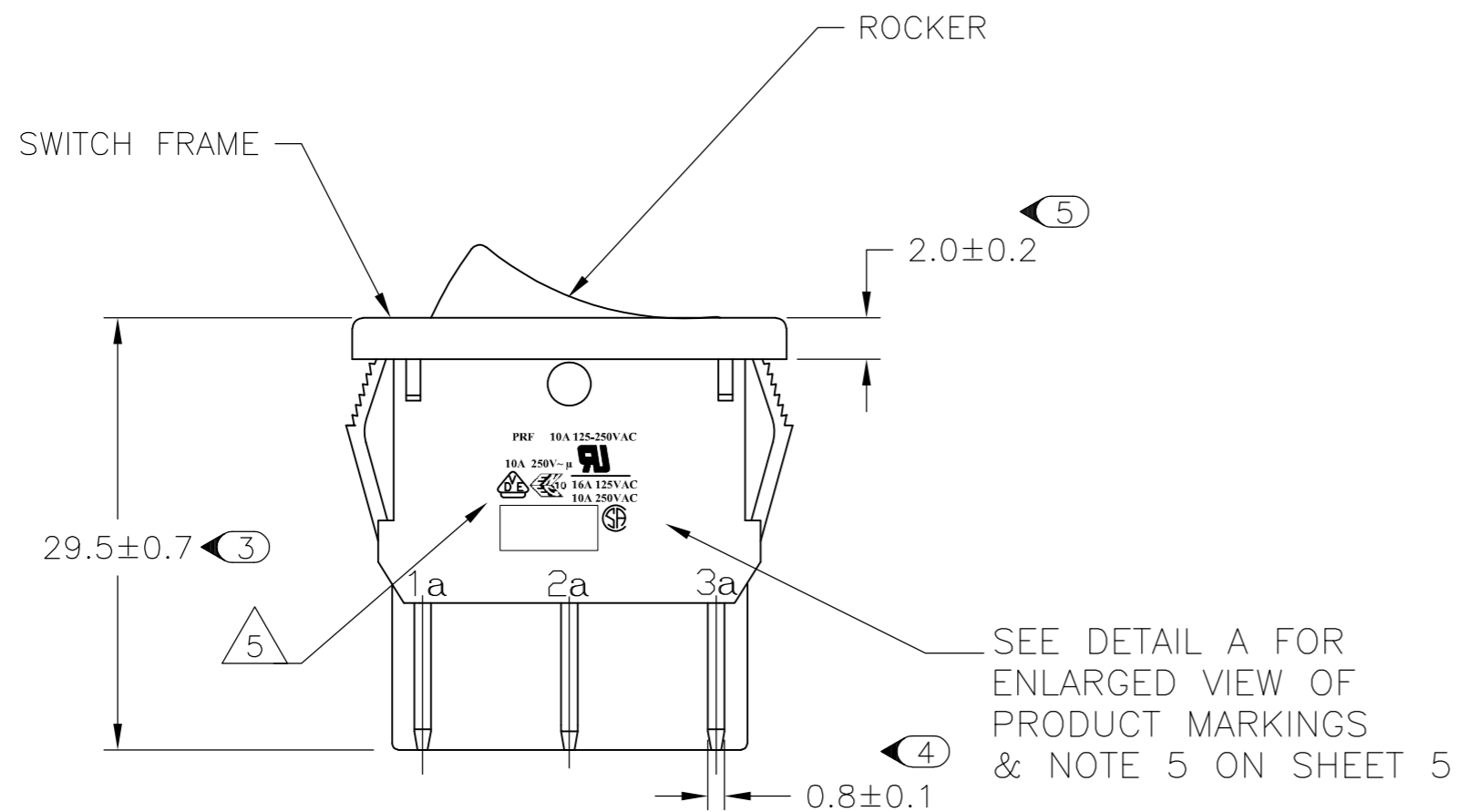
LOC	DIST	REVISIONS					
E	B	P	LTR	DESCRIPTION	DATE	DWN	APVD
		-		SEE SHEET 1		-	-



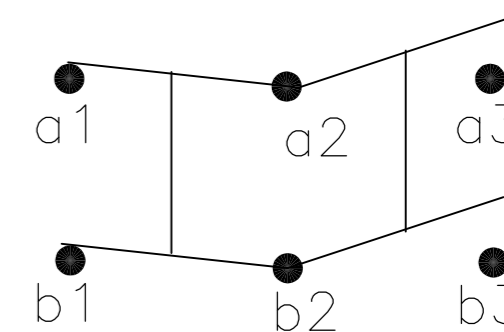
PANEL CUT OUT



2.00-3.00	30.20	22.20
1.25-2.00	30.20	22.20
0.75-1.25	30.20	22.20
PANEL THICKNESS	X	Y



CIRCUIT DIAGRAM



PRODUCT MARKING

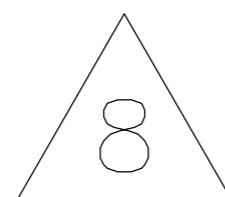
DETAIL A

PRF 10A 125-250VAC

10A 250V~μ

16A 125VAC  
10A 250VAC

TYCO ELECTRONICS LOGO PER TEC-202-36



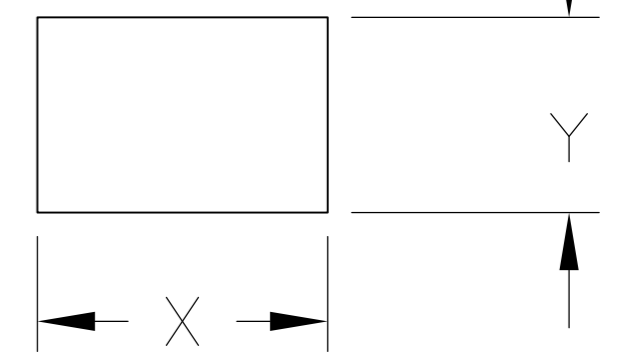
1634201-8 SHOWN ON-ON

THIS DRAWING IS A CONTROLLED DOCUMENT.		DWN	28JAN2003	Tyco Electronics Corporation Harrisburg, PA 17057
DIMENSIONS: MM		S.SHACKSON	28JAN2003	
TOLERANCES UNLESS OTHERWISE SPECIFIED:		CHK	28JAN2003	NAME POWER ROCKER SWITCH, 30.2mm X 22.2mm PANEL CUT-OUT SIZE, DOUBLE POLE, SINGLE THROW, NON-ILLUMINATED
0 PLC ± -		H.KAUTZ	28JAN2003	
1 PLC ± 0.5		APVD	28JAN2003	RESTRICTED TO
2 PLC ±		H.KAUTZ	28JAN2003	
3 PLC ± -		PRODUCT SPEC		SIZE
4 PLC ± -		APPLICATION SPEC		CAGE CODE
ANGLES ± -		NOT APPLICABLE		DRAWING NO
FINISH		NOT APPLICABLE		SCALE
MATERIAL		WEIGHT	-	SHEET
		CUSTOMER DRAWING		3 OF 5
				REV
				D

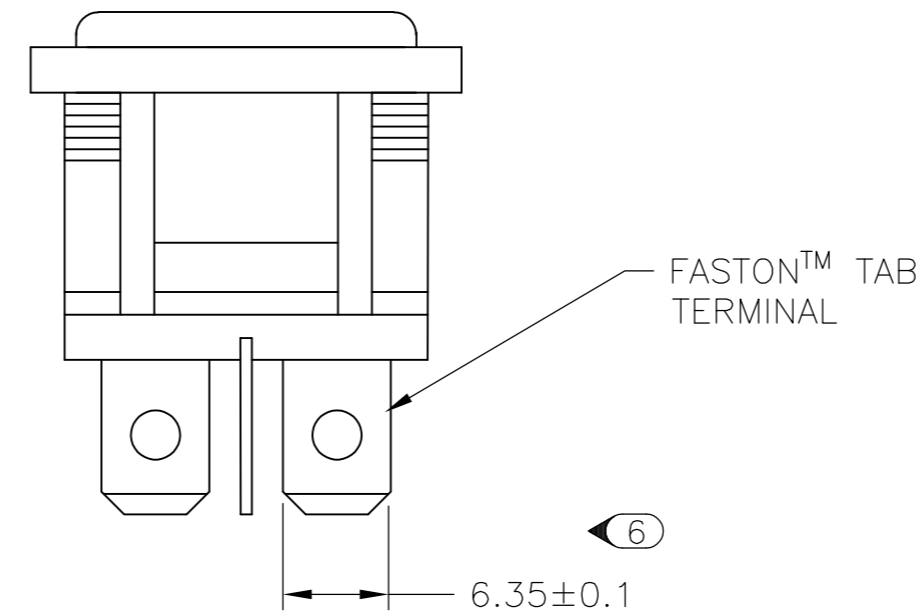
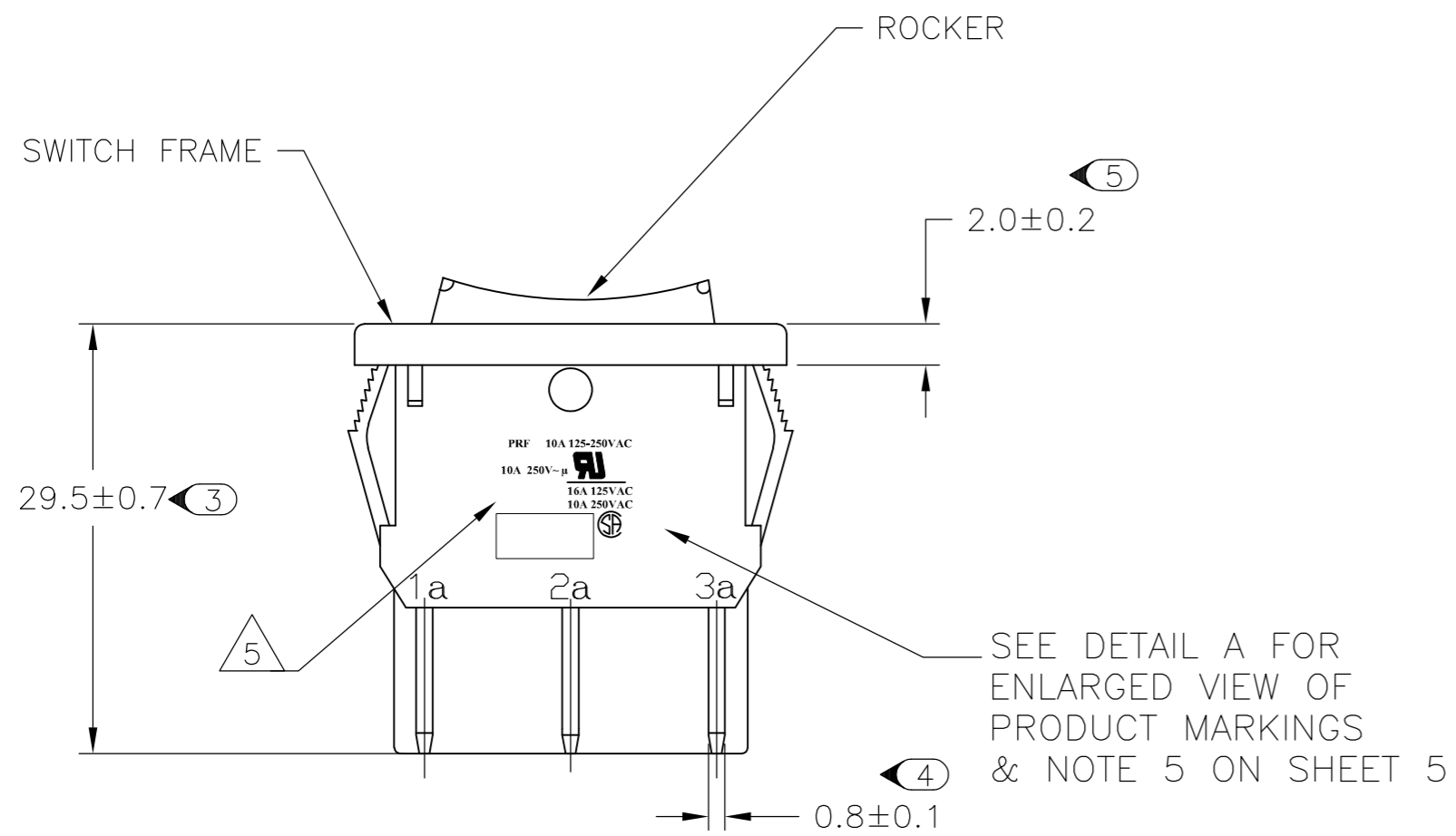
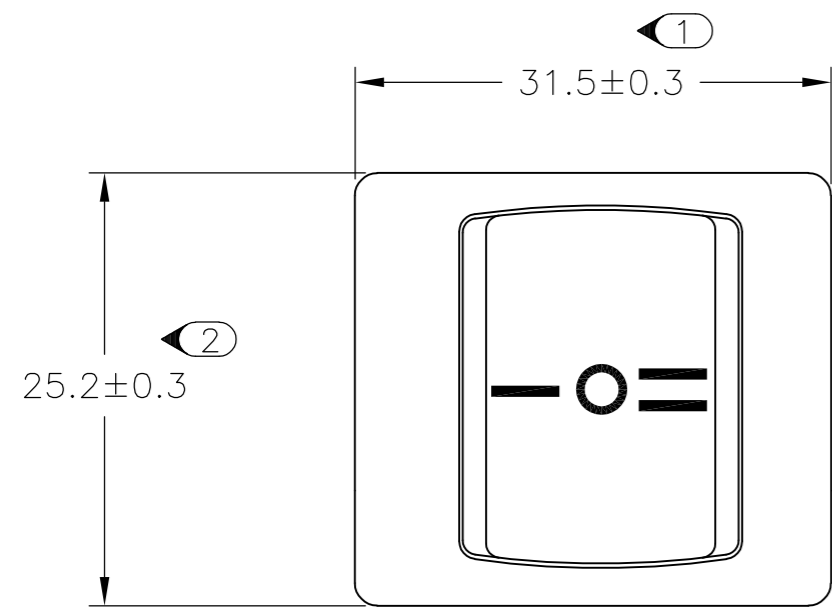
THIS DRAWING IS UNPUBLISHED. RELEASED FOR PUBLICATION 30/OCT ,2003.  
 © COPYRIGHT 2003 BY TYCO ELECTRONICS CORPORATION. ALL RIGHTS RESERVED.

LOC	DIST	REVISIONS					
E	B	P	LTR	DESCRIPTION	DATE	DWN	APVD
		-		SEE SHEET 1		-	-

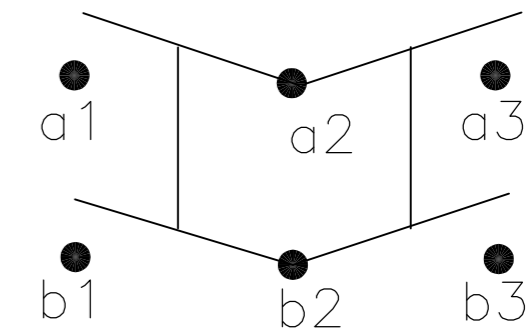
### PANEL CUT OUT




2.00-3.00	30.20	22.20
1.25-2.00	30.20	22.20
0.75-1.25	30.20	22.20
PANEL THICKNESS	X	Y



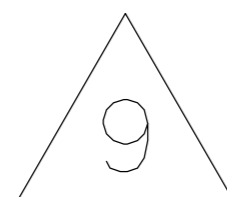
### CIRCUIT DIAGRAM



### PRODUCT MARKING DETAIL A

**PRF 10A 125-250VAC**  
**10A 250V~μ**   
**16A 125VAC**  
**10A 250VAC**

TYCO ELECTRONICS LOGO  
PER TEC-202-36



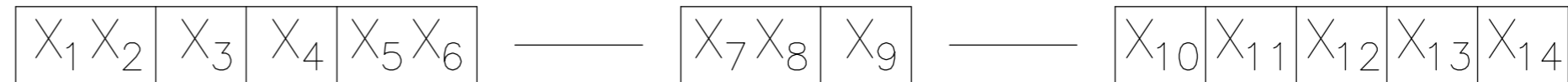
1-1634201-2 SHOWN ON-OFF-ON

THIS DRAWING IS A CONTROLLED DOCUMENT.		DWN	28JAN2003	Tyco Electronics Corporation Harrisburg, PA 17057			
DIMENSIONS: MM		S.SHACKSON	28JAN2003				
TOLERANCES UNLESS OTHERWISE SPECIFIED:		CHK	28JAN2003	NAME POWER ROCKER SWITCH, 30.2mm X 22.2mm PANEL CUT-OUT SIZE, DOUBLE POLE, SINGLE THROW, NON-ILLUMINATED			
0 PLC ± -		H.KAUTZ	28JAN2003				
1 PLC ± 0.5		APVD	28JAN2003	RESTRICTED TO			
2 PLC ± -		H.KAUTZ	28JAN2003				
3 PLC ± -		PRODUCT SPEC		SIZE	CAGE CODE	DRAWING NO	REV
4 PLC ± -		APPLICATION SPEC		A2	00779	C=1634201	4
ANGLES ± -				SCALE	3:1	SHEET	5
FINISH		WEIGHT	-	CUSTOMER DRAWING			D

THIS DRAWING IS UNPUBLISHED. RELEASED FOR PUBLICATION 30/OCT ,2003.  
 © COPYRIGHT 2003 BY TYCO ELECTRONICS CORPORATION. ALL RIGHTS RESERVED.

LOC	DIST	REVISIONS			
P	LTR	DESCRIPTION	DATE	DWN	APVD
		SEE SHEET 1			

### ALCOSWITCH PART NUMBER



1 MATERIALS:  
 HOUSING FRAME: NYLON 66.  
 ACTUATOR: NYLON 66/ PC(ILLUMINATED)  
 TERMINALS C1100R-1/2H WITH SILVER PLATED CONTACTS AgALLOY

2 FINISH:  
 TERMINAL, ACTIVE CONTACTOR: 1.0µm [.000039] SILVER  
 PLUNGER: 3.0mm[.000118] NICKEL

3 ELECTRICAL SPECIFICATIONS:  
 CONTACT RESISTANCE : 50m ohm Max  
 DIELECTRIC STRENGTH : AC 1500V, 1 MINUTE  
 OPERATION TEMPERATURE: -20°C~85°C  
 INSULATION R: DC 500V 100M ohm MIN

4 CURRENT AND VOLTAGE 16A@125VAC/10A@250VAC

5 ELECTRICAL RATINGS, APPROVED AGENCY LOGOS,  
 TE LOGO PER TEC-202-36 APPROXIMATELY AS SHOWN  
 AND PART NUMBER CAN APPEAR ON EITHER SIDE  
 (FOR FULL DETAIL SEE INDIVIDUAL DRAWING)

6 ON-OFF, WITH OPAQUE, SINGLE-COLOR ROCKER BUTTON.

7 ON-OFF, WITH TRANSPARENT, LAMP-ILLUMINATED ROCKER BUTTON.

8 ON-ON, WITH OPAQUE, SINGLE-COLOR ROCKER BUTTON.

9 ON-OFF-ON, WITH OPAQUE, SINGLE-COLOR ROCKER BUTTON.

10 PACKAGING TO CONFORM WITH TYCO SPEC. 107-115

11 REFER TO QIP DIMENSIONAL REPORT

12 COMPONENT RECOGNIZED TO EUROPEAN STANDARDS (ENEC, PENDING VDE).  
 MARKS LICENSE No. 40006757

SWITCH TYPE: X1X2 = PR - POWER ROCKER  
 NOMINAL PANEL CUT OUT SIZE: X3 = F - 30.2X22.2 [.1.189x.874]  
 NUMBER OF POLES: X4 = D - DOUBLE

SWITCH FUNCTION: X5X6 = A1 -   
B1 -   
D1 -   
D3 -

CURRENT RATING: X7X8 = 16 -

TERMINAL TYPE: X9 = F - FASTON™ TAB

FRAME COLOR: X10 = B - BLACK  
W - WHITE

ROCKER COLOR: X11 = B - BLACK  
G - GREEN  
R - RED  
Y - YELLOW

SECONDARY ROCKER COLOR: X12 = Ø - NOT APPLICABLE  
B - BLACK  
G - GREEN  
R - RED  
W - WHITE

LEGEND TEXT PATTERN: X13 =

LEGEND TEXT COLOR: X14 = Ø - NOT APPLICABLE  
G - GREEN  
R - RED  
B - BLACK  
W - WHITE

1	PRFDA 1-16F-BB000	0-1634201-1
1	PRFDA 1-16F-BB0BW	0-1634201-2
1	PRFDA 1-16F-BB0CW	0-1634201-3
2	PRFDB 1-16F-BR000	0-1634201-4
2	PRFDB 1-16F-BG000	0-1634201-5
2	PRFDB 1-16F-BY000	0-1634201-6
3	PRFDD 1-16F-BB000	0-1634201-7
3	PRFDD 1-16F-BB0DW	0-1634201-8
3	PRFDD 1-16F-BB0EW	0-1634201-9
4	PRFDD 3-16F-BB000	1-1634201-0
4	PRFDD 3-16F-BB0EW	1-1634201-1
4	PRFDD 3-16F-BB0GW	1-1634201-2
SHEET REF	ALCO SWITCH PART NUMBER.	TE PART NUMBER.

THIS DRAWING IS A CONTROLLED DOCUMENT.		DWN S.SHACKSON 28JAN2003	Tyco Electronics Corporation Harrisburg, PA 17057	
DIMENSIONS: MM		CHK H.KAUTZ 28JAN2003	NAME POWER ROCKER SWITCH, 30.2mm X 22.2mm	
TOLERANCES UNLESS OTHERWISE SPECIFIED:		APVD H.KAUTZ 28JAN2003	PANEL CUT-OUT SIZE, DOUBLE POLE, SINGLE THROW, NON-ILLUMINATED	
0 PLC ± -	1 PLC ± 0.5	PRODUCT SPEC NOT APPLICABLE	SIZE A2	CAGE CODE 00779
2 PLC ± -	3 PLC ± -	APPLICATION SPEC NOT APPLICABLE	DRAWING NO C=1634201	RESTRICTED TO -
4 PLC ± -	ANGLES ± -	WEIGHT -	SCALE 3:1	SHEET 5 OF 5
MATERIAL FINISH	FINISH	CUSTOMER DRAWING	REV D	



Компания «ЭлектроПласт» предлагает заключение долгосрочных отношений при поставках импортных электронных компонентов на взаимовыгодных условиях!

Наши преимущества:

- Оперативные поставки широкого спектра электронных компонентов отечественного и импортного производства напрямую от производителей и с крупнейших мировых складов;
- Поставка более 17-ти миллионов наименований электронных компонентов;
- Поставка сложных, дефицитных, либо снятых с производства позиций;
- Оперативные сроки поставки под заказ (от 5 рабочих дней);
- Экспресс доставка в любую точку России;
- Техническая поддержка проекта, помощь в подборе аналогов, поставка прототипов;
- Система менеджмента качества сертифицирована по Международному стандарту ISO 9001;
- Лицензия ФСБ на осуществление работ с использованием сведений, составляющих государственную тайну;
- Поставка специализированных компонентов (Xilinx, Altera, Analog Devices, Intersil, Interpoint, Microsemi, Aeroflex, Peregrine, Syfer, Eurofarad, Texas Instrument, Miteq, Cobham, E2V, MA-COM, Hittite, Mini-Circuits, General Dynamics и др.);

Помимо этого, одним из направлений компании «ЭлектроПласт» является направление «Источники питания». Мы предлагаем Вам помощь Конструкторского отдела:

- Подбор оптимального решения, техническое обоснование при выборе компонента;
- Подбор аналогов;
- Консультации по применению компонента;
- Поставка образцов и прототипов;
- Техническая поддержка проекта;
- Защита от снятия компонента с производства.



#### Как с нами связаться

**Телефон:** 8 (812) 309 58 32 (многоканальный)

**Факс:** 8 (812) 320-02-42

**Электронная почта:** [org@eplast1.ru](mailto:org@eplast1.ru)

**Адрес:** 198099, г. Санкт-Петербург, ул. Калинина, дом 2, корпус 4, литера А.