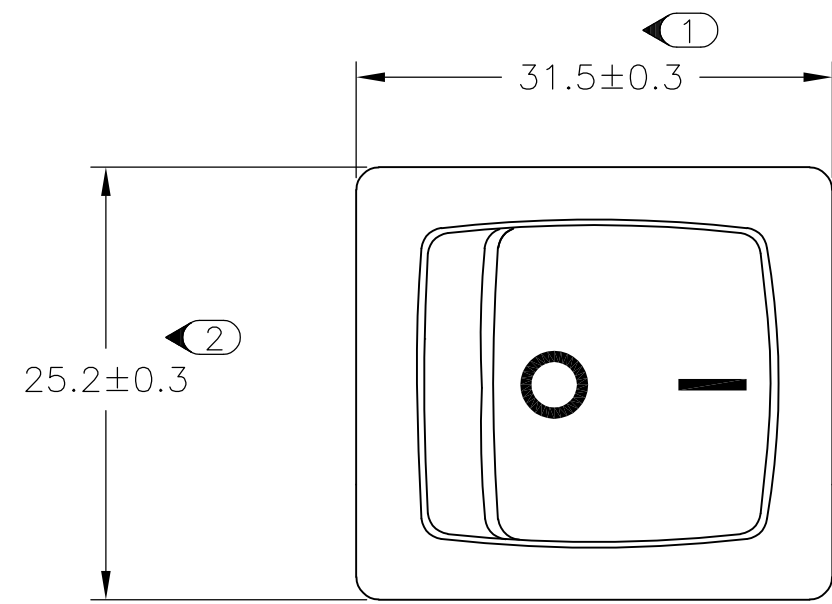
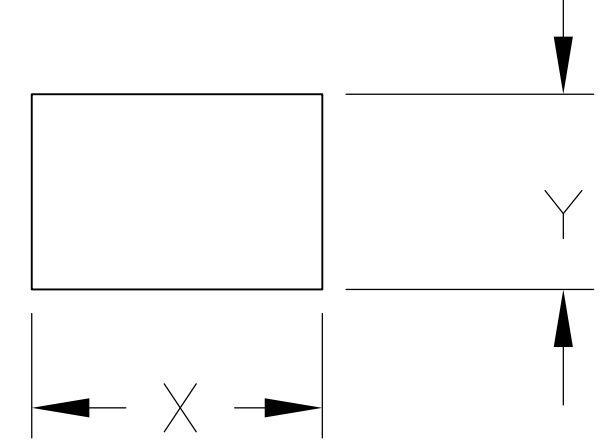


THIS DRAWING IS UNPUBLISHED. RELEASED FOR PUBLICATION 30/OCT ,2003.  
 © COPYRIGHT 2003 BY TYCO ELECTRONICS CORPORATION. ALL RIGHTS RESERVED.

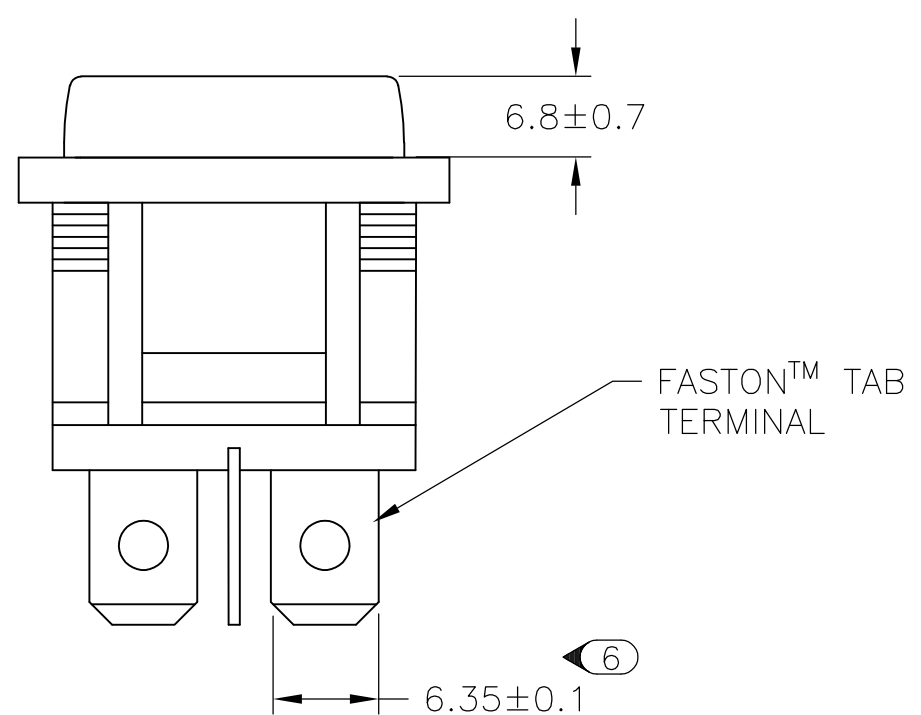
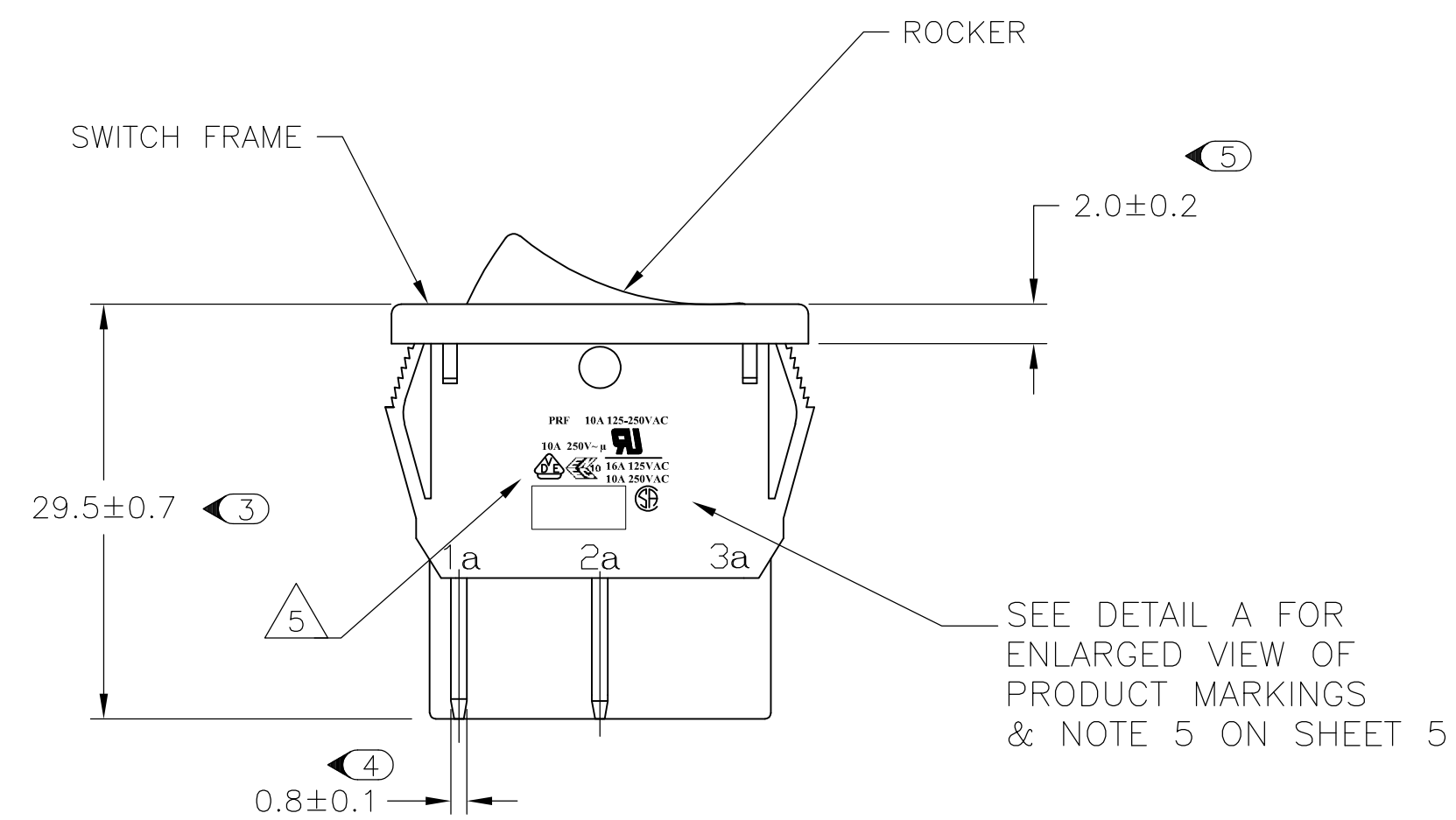
| LOC |     | DIST                      |         | REVISIONS |      |  |  |
|-----|-----|---------------------------|---------|-----------|------|--|--|
| P   | LTR | DESCRIPTION               | DATE    | DWN       | APVD |  |  |
| D   |     | REVISED PER ECO-10-025607 | 21DEC10 | HMR       | MW   |  |  |



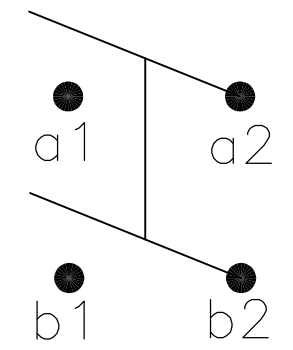
PANEL CUT OUT



|                 |       |       |
|-----------------|-------|-------|
| 2.00-3.00       | 30.20 | 22.20 |
| 1.25-2.00       | 30.20 | 22.20 |
| 0.75-1.25       | 30.20 | 22.20 |
| PANEL THICKNESS | X     | Y     |



CIRCUIT DIAGRAM



PRODUCT MARKING  
DETAIL A

**PRF 10A 125-250VAC**

**10A 250V~μ**

**16A 125VAC**

**10A 250VAC**

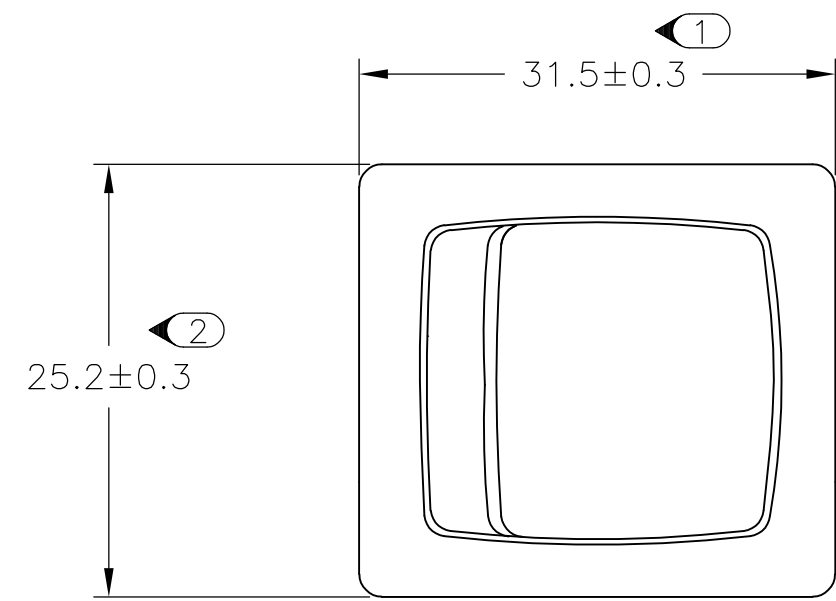
TYCO ELECTRONICS LOGO PER TEC-202-36

6 1634201-2 SHOWN ON-OFF

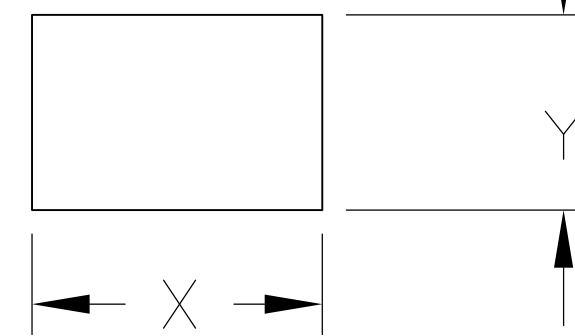
|  |             |                                 |  |                 |
|--|-------------|---------------------------------|--|-----------------|
| THIS DRAWING IS A CONTROLLED DOCUMENT. |             | DWN S.SHACKSON 28JAN2003        | Tyco Electronics Corporation Harrisburg, PA 17057              |                 |
| DIMENSIONS: MM                         |             | CHK H.KAUTZ 28JAN2003           | NAME POWER ROCKER SWITCH, 30.2mm X 22.2mm                      |                 |
| TOLERANCES UNLESS OTHERWISE SPECIFIED: |             | APVD H.KAUTZ 28JAN2003          | PANEL CUT-OUT SIZE, DOUBLE POLE, SINGLE THROW, NON-ILLUMINATED |                 |
| 0 PLC ± -                              | 1 PLC ± 0.5 | PRODUCT SPEC NOT APPLICABLE     | SIZE A2  | CAGE CODE 00779 |
| 2 PLC ± -                              | 3 PLC ± -   | APPLICATION SPEC NOT APPLICABLE | DRAWING NO C=1634201   | RESTRICTED TO - |
| 4 PLC ± -                              | ANGLES ± -  | WEIGHT -                        | SCALE 3:1  | SHEET 1 OF 5    |
| MATERIAL 1                             | FINISH 2    | CUSTOMER DRAWING                | REV D  |                 |

THIS DRAWING IS UNPUBLISHED. RELEASED FOR PUBLICATION 30/OCT ,2003.  
 © COPYRIGHT 2003 BY TYCO ELECTRONICS CORPORATION. ALL RIGHTS RESERVED.

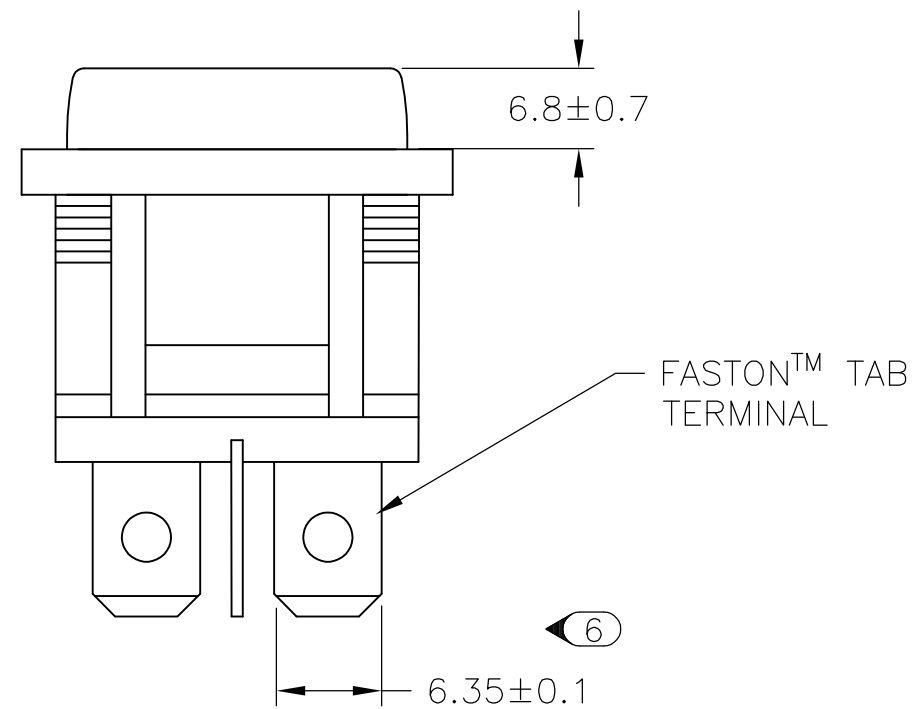
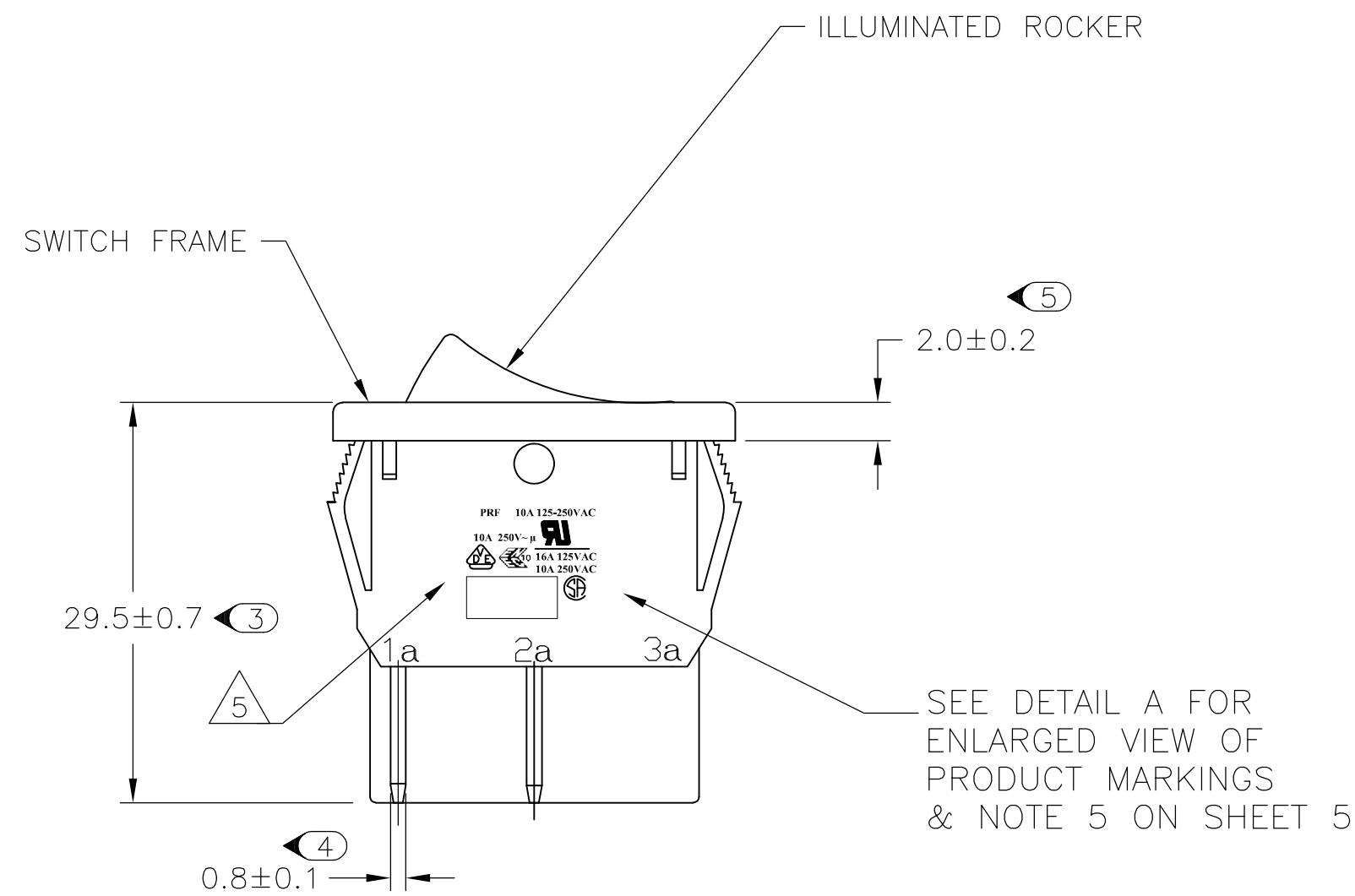
| LOC | DIST | REVISIONS |     |             |      |     |      |
|-----|------|-----------|-----|-------------|------|-----|------|
| E   | B    | P         | LTR | DESCRIPTION | DATE | DWN | APVD |
|     |      | -         |     | SEE SHEET 1 |      | -   | -    |



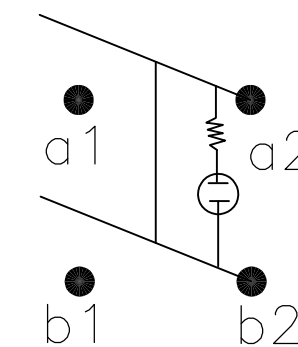
PANEL CUT OUT



|                 |       |       |
|-----------------|-------|-------|
| 2.00-3.00       | 30.20 | 22.20 |
| 1.25-2.00       | 30.20 | 22.20 |
| 0.75-1.25       | 30.20 | 22.20 |
| PANEL THICKNESS | X     | Y     |

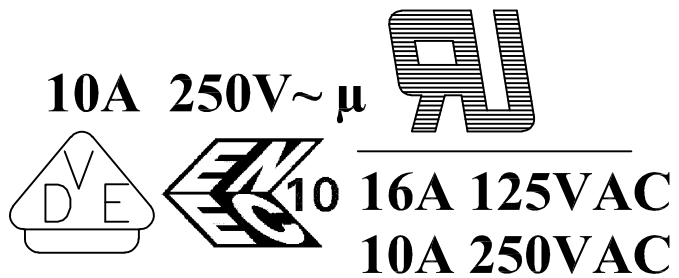


CIRCUIT DIAGRAM



PRODUCT MARKING  
DETAIL A

PRF 10A 125-250VAC



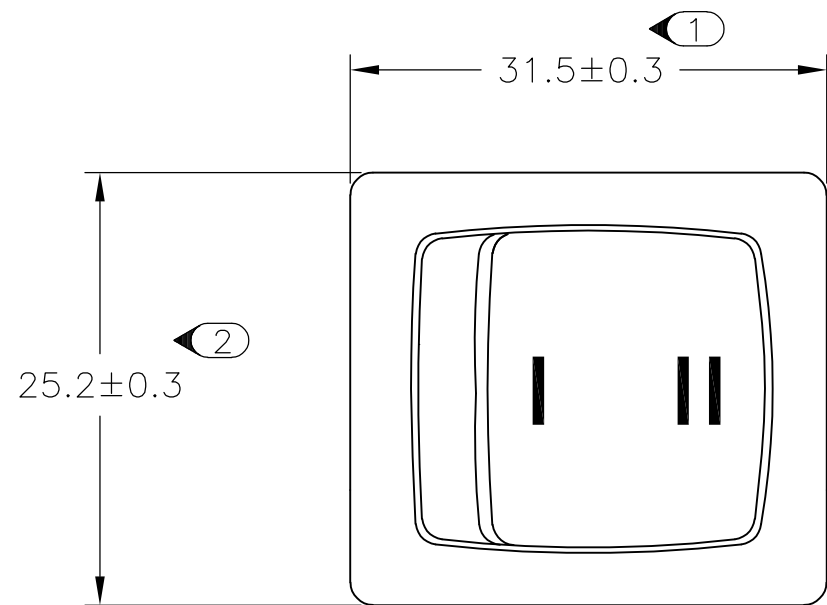
TYCO ELECTRONICS LOGO PER TEC-202-36

1634201-5 SHOWN ON-OFF GREEN ILLUMINATED

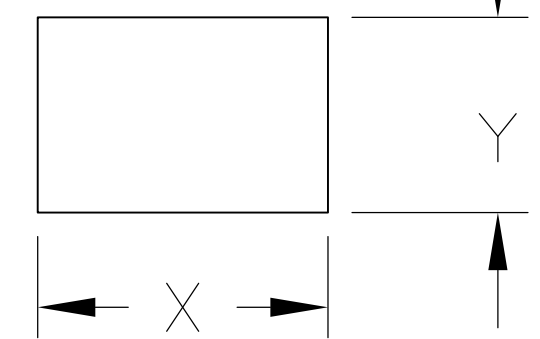
|  |  |                                 |  |                 |
|--|--|---------------------------------|--|-----------------|
| THIS DRAWING IS A CONTROLLED DOCUMENT. |  | DWN S.SHACKSON 28JAN2003        | Tyco Electronics Corporation<br>Harrisburg, PA 17057   |                 |
| DIMENSIONS: MM                         |  | CHK H.KAUTZ 28JAN2003           | NAME POWER ROCKER SWITCH, 30.2mm X 22.2mm<br>PANEL CUT-OUT SIZE, DOUBLE POLE, SINGLE THROW,<br>NON-ILLUMINATED |                 |
| TOLERANCES UNLESS OTHERWISE SPECIFIED: |  | APVD H.KAUTZ 28JAN2003          | RESTRICTED TO  |                 |
| 0 PLC ± -                              |  | PRODUCT SPEC NOT APPLICABLE     | SIZE A2  | CAGE CODE 00779 |
| 1 PLC ± 0.5                            |  | APPLICATION SPEC NOT APPLICABLE | DRAWING NO C=1634201   |                 |
| 2 PLC ±                                |  | WEIGHT -                        | SCALE 3:1 SHEET 2 OF 5 REV D   |                 |
| 3 PLC ± -                              |  | CUSTOMER DRAWING                |  |                 |
| 4 PLC ± -                              |  |                                 |  |                 |
| ANGLES ± -                             |  |                                 |  |                 |
| FINISH                                 |  |                                 |  |                 |

THIS DRAWING IS UNPUBLISHED. RELEASED FOR PUBLICATION 30/OCT ,2003.  
 © COPYRIGHT 2003 BY TYCO ELECTRONICS CORPORATION. ALL RIGHTS RESERVED.

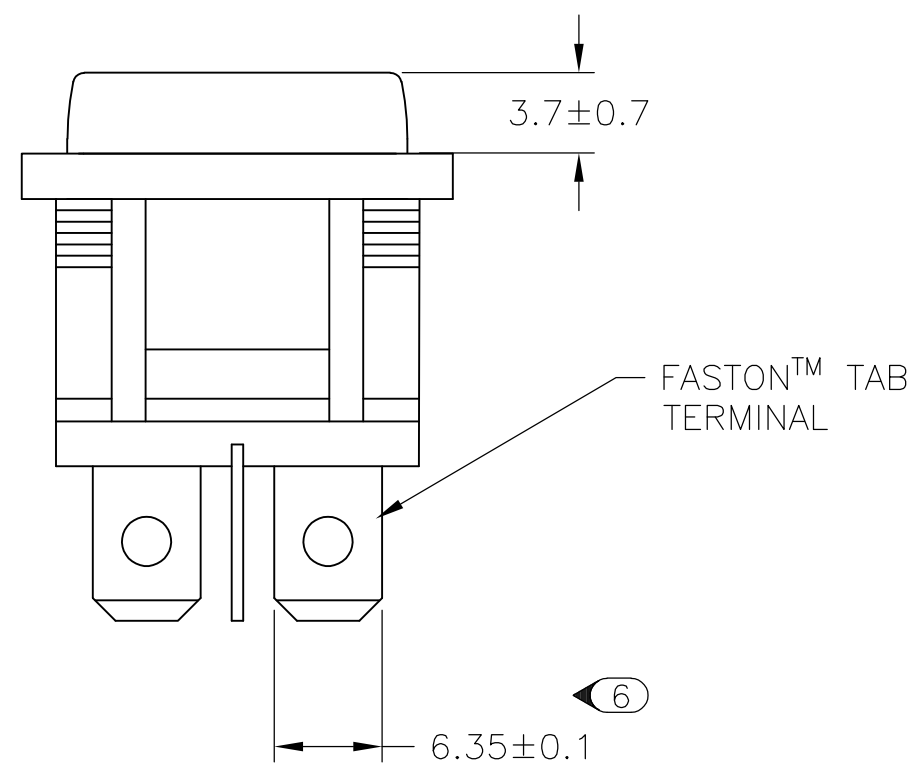
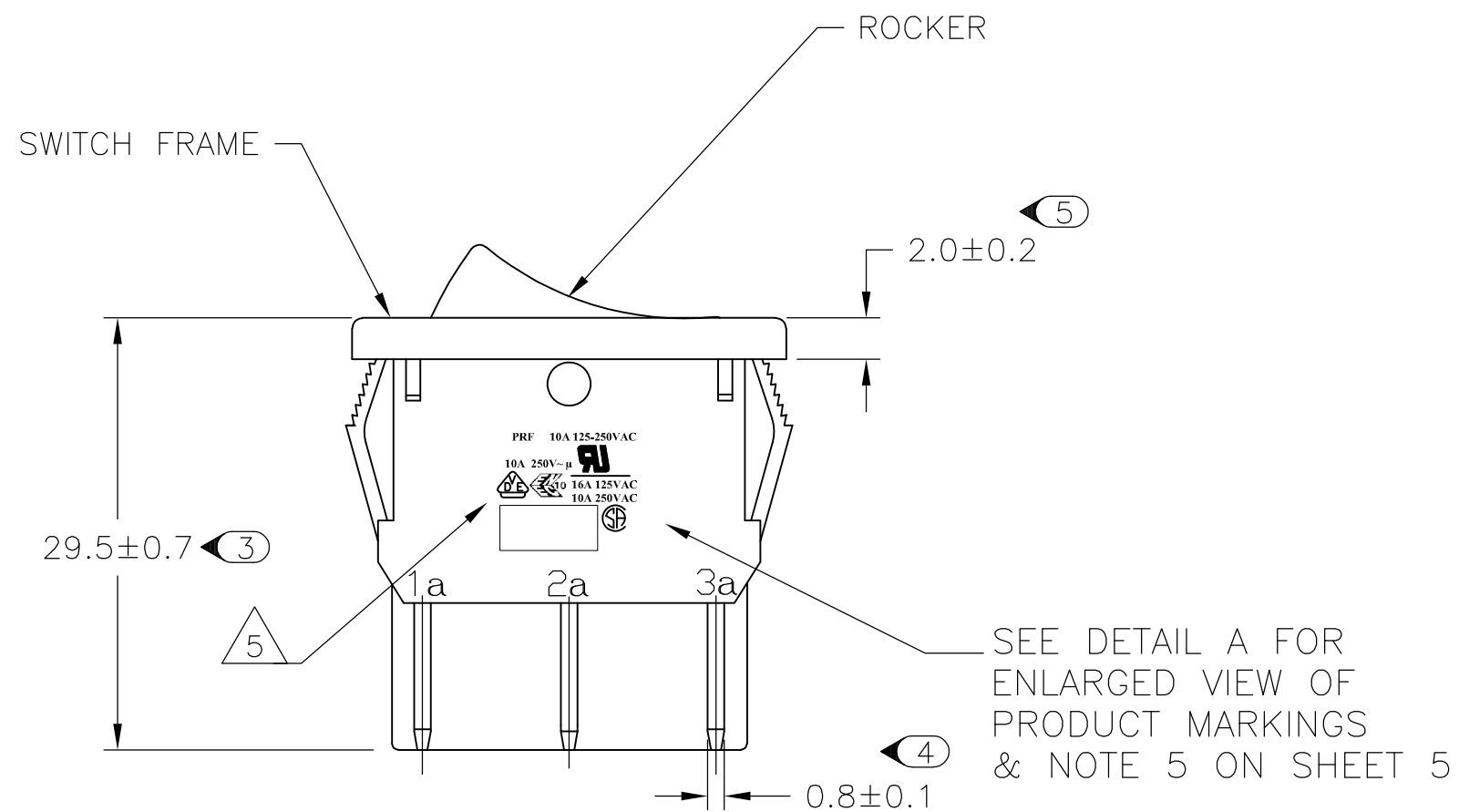
| LOC | DIST | REVISIONS |     |             |      |     |      |
|-----|------|-----------|-----|-------------|------|-----|------|
| E   | B    | P         | LTR | DESCRIPTION | DATE | DWN | APVD |
|     |      | -         |     | SEE SHEET 1 |      | -   | -    |



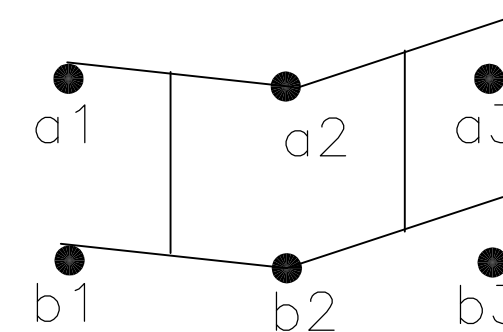
PANEL CUT OUT



|                 |       |       |
|-----------------|-------|-------|
| 2.00-3.00       | 30.20 | 22.20 |
| 1.25-2.00       | 30.20 | 22.20 |
| 0.75-1.25       | 30.20 | 22.20 |
| PANEL THICKNESS | X     | Y     |



CIRCUIT DIAGRAM



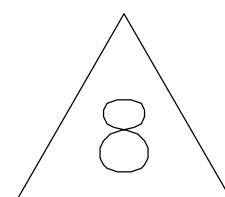
PRODUCT MARKING

DETAIL A

PRF 10A 125-250VAC

10A 250V~μ   
 16A 125VAC  
 10A 250VAC

TYCO ELECTRONICS LOGO PER TEC-202-36



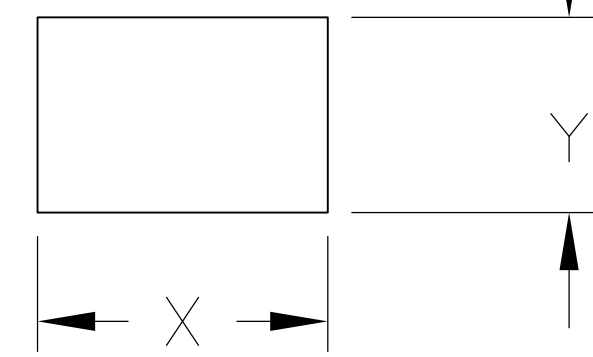
1634201-8 SHOWN ON-ON

| THIS DRAWING IS A CONTROLLED DOCUMENT. |  | DWN              | 28JAN2003      | Tyco Electronics Corporation<br>Harrisburg, PA 17057  |
|--|--|------------------|----------------|---|
| DIMENSIONS: MM                         |  | S.SHACKSON       | 28JAN2003      |   |
| TOLERANCES UNLESS OTHERWISE SPECIFIED: |  | CHK              | H.KAUTZ        | NAME<br>POWER ROCKER SWITCH, 30.2mm X 22.2mm<br>PANEL CUT-OUT SIZE, DOUBLE POLE, SINGLE THROW,<br>NON-ILLUMINATED |
| 0 PLC ± -                              |  | APVD             | H.KAUTZ        |   |
| 1 PLC ± 0.5                            |  | PRODUCT SPEC     | NOT APPLICABLE | SIZE  |
| 2 PLC ± -                              |  | APPLICATION SPEC | NOT APPLICABLE | CAGE CODE   |
| 3 PLC ± -                              |  | WEIGHT           | -              | DRAWING NO  |
| 4 PLC ± -                              |  | FINISH           | -              | RESTRICTED TO   |
| ANGLES ± -                             |  | CUSTOMER DRAWING |                | A2 00779 C=1634201  |
| SCALE 3:1                              |  | SHEET 3 OF 5     | REV D          |   |

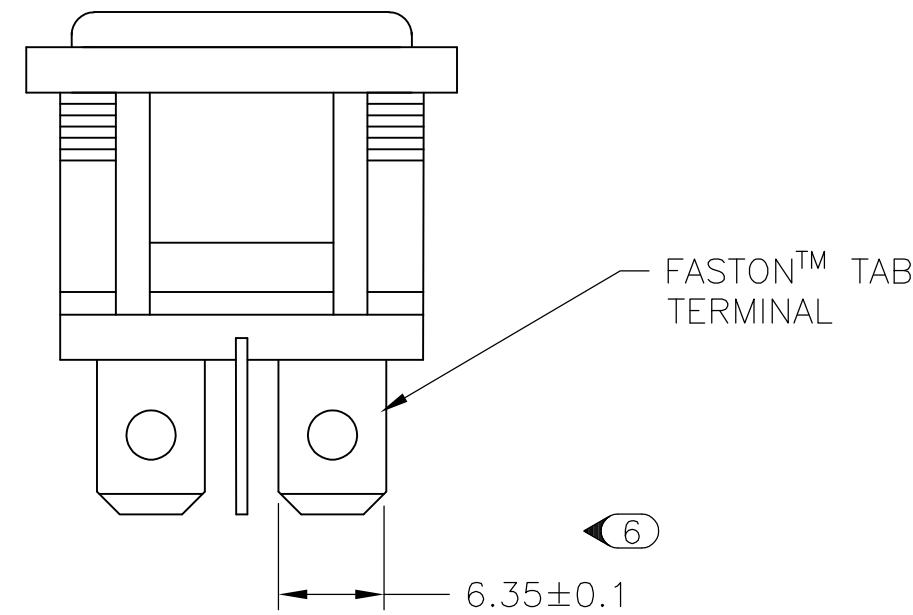
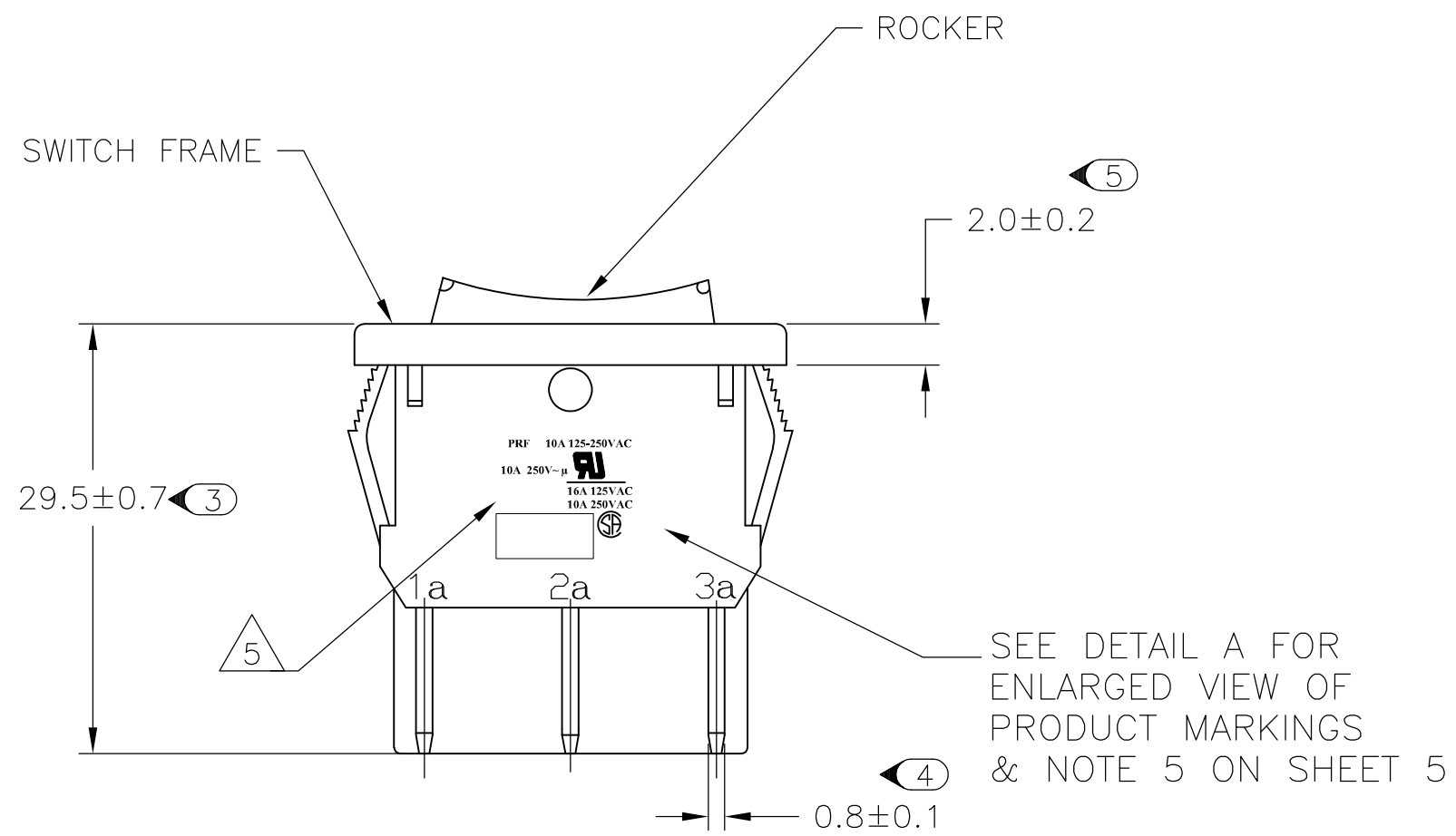
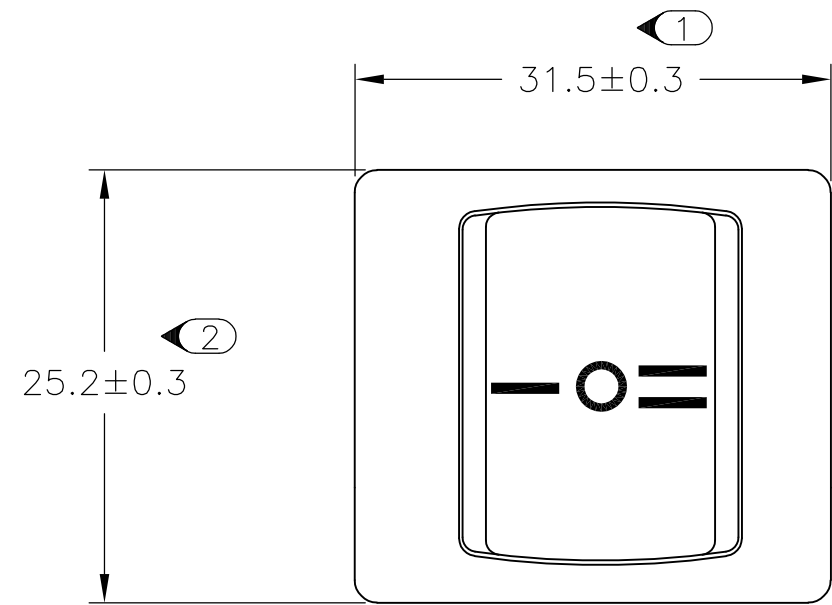
THIS DRAWING IS UNPUBLISHED. RELEASED FOR PUBLICATION 30/OCT ,2003.  
 © COPYRIGHT 2003 BY TYCO ELECTRONICS CORPORATION. ALL RIGHTS RESERVED.

| LOC | DIST | REVISIONS |     |             |      |     |      |
|-----|------|-----------|-----|-------------|------|-----|------|
| E   | B    | P         | LTR | DESCRIPTION | DATE | DWN | APVD |
|     |      | -         |     | SEE SHEET 1 |      | -   | -    |

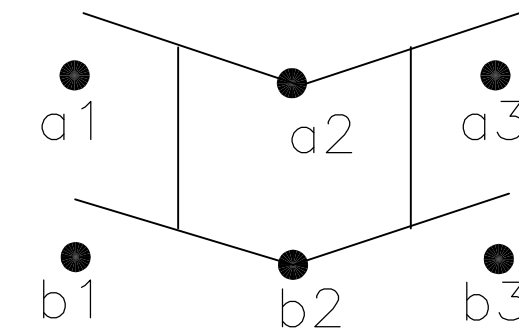
### PANEL CUT OUT




|                 |       |       |
|-----------------|-------|-------|
| 2.00-3.00       | 30.20 | 22.20 |
| 1.25-2.00       | 30.20 | 22.20 |
| 0.75-1.25       | 30.20 | 22.20 |
| PANEL THICKNESS | X     | Y     |



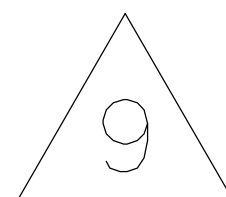
### CIRCUIT DIAGRAM



### PRODUCT MARKING DETAIL A

**PRF 10A 125-250VAC**  
**10A 250V~μ**   
**16A 125VAC**  
**10A 250VAC**

TYCO ELECTRONICS LOGO  
PER TEC-202-36



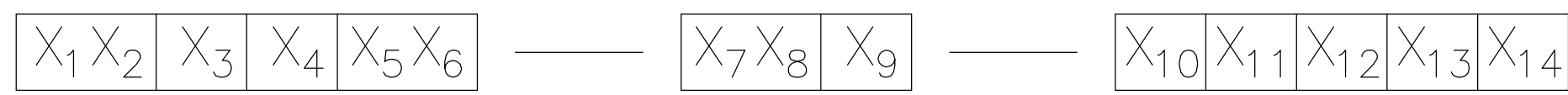
1-1634201-2 SHOWN ON-OFF-ON

| THIS DRAWING IS A CONTROLLED DOCUMENT. |  | DWN              | 28JAN2003      | Tyco Electronics Corporation<br>Harrisburg, PA 17057  |
|--|--|------------------|----------------|---|
| DIMENSIONS: MM                         |  | S.SHACKSON       | 28JAN2003      |   |
| TOLERANCES UNLESS OTHERWISE SPECIFIED: |  | CHK              | H.KAUTZ        | NAME<br>POWER ROCKER SWITCH, 30.2mm X 22.2mm<br>PANEL CUT-OUT SIZE, DOUBLE POLE, SINGLE THROW,<br>NON-ILLUMINATED |
| 0 PLC ± -                              |  | APVD             | H.KAUTZ        |   |
| 1 PLC ± 0.5                            |  | PRODUCT SPEC     | NOT APPLICABLE | SIZE  |
| 2 PLC ± -                              |  | APPLICATION SPEC | NOT APPLICABLE | CAGE CODE   |
| 3 PLC ± -                              |  | WEIGHT           | -              | DRAWING NO  |
| 4 PLC ± -                              |  | FINISH           | -              | RESTRICTED TO   |
| ANGLES ± -                             |  | CUSTOMER DRAWING |                | A2 00779 C=1634201  |
| MATERIAL                               |  | SCALE 3:1        |                | SHEET 4 OF 5  |
|  |  | REV D            |                |   |

THIS DRAWING IS UNPUBLISHED. RELEASED FOR PUBLICATION 30/OCT ,2003.  
 © COPYRIGHT 2003 BY TYCO ELECTRONICS CORPORATION. ALL RIGHTS RESERVED.

| LOC | DIST | REVISIONS   |      |     |      |
|-----|------|-------------|------|-----|------|
| P   | LTR  | DESCRIPTION | DATE | DWN | APVD |
|     |      | SEE SHEET 1 |      |     |      |

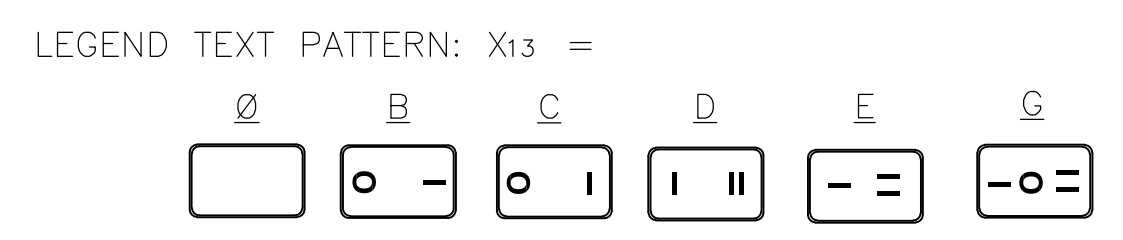
### ALCOSWITCH PART NUMBER



- 1 MATERIALS:  
HOUSING FRAME: NYLON 66.  
ACTUATOR: NYLON 66/ PC(ILLUMINATED)  
TERMINALS C1100R-1/2H WITH SILVER PLATED CONTACTS AgALLOY
- 2 FINISH:  
TERMINAL, ACTIVE CONTACTOR: 1.0µm [.000039] SILVER  
PLUNGER: 3.0mm[.000118] NICKEL
- 3 ELECTRICAL SPECIFICATIONS:  
CONTACT RESISTANCE : 50m ohm Max  
DIELECTRIC STRENGTH : AC 1500V, 1 MINUTE  
OPERATION TEMPERATURE: -20°C~85°C  
INSULATION R: DC 500V 100M ohm MIN
- 4 CURRENT AND VOLTAGE 16A@125VAC/10A@250VAC
- 5 ELECTRICAL RATINGS, APPROVED AGENCY LOGOS,  
TE LOGO PER TEC-202-36 APPROXIMATELY AS SHOWN  
AND PART NUMBER CAN APPEAR ON EITHER SIDE  
(FOR FULL DETAIL SEE INDIVIDUAL DRAWING)
- 6 ON-OFF, WITH OPAQUE, SINGLE-COLOR ROCKER BUTTON.
- 7 ON-OFF, WITH TRANSPARENT, LAMP-ILLUMINATED ROCKER BUTTON.
- 8 ON-ON, WITH OPAQUE, SINGLE-COLOR ROCKER BUTTON.
- 9 ON-OFF-ON, WITH OPAQUE, SINGLE-COLOR ROCKER BUTTON.
- 10 PACKAGING TO CONFORM WITH TYCO SPEC. 107-115
- 11 REFER TO QIP DIMENSIONAL REPORT
- 12 COMPONENT RECOGNIZED TO EUROPEAN STANDARDS (ENEC, PENDING VDE).  
MARKS LICENSE No. 40006757

SWITCH TYPE: X1X2 = PR - POWER ROCKER  
 NOMINAL PANEL CUT OUT SIZE: X3 = F - 30.2X22.2 [.1.189x.874]  
 NUMBER OF POLES: X4 = D - DOUBLE  
 SWITCH FUNCTION: X5X6 = A1 -   
                                   B1 -   
                                   D1 -   
                                   D3 -   
 CURRENT RATING: X7X8 = 16 -   
 TERMINAL TYPE: X9 = F - FASTON™ TAB  
 FRAME COLOR: X10 = B - BLACK  
                           W - WHITE  
 ROCKER COLOR: X11 = B - BLACK  
                           G - GREEN  
                           R - RED  
                           Y - YELLOW

SECONDARY ROCKER COLOR: X12 = Ø - NOT APPLICABLE  
B - BLACK  
G - GREEN  
R - RED  
W - WHITE



LEGEND TEXT COLOR: X14 = Ø - NOT APPLICABLE  
G - GREEN  
R - RED  
B - BLACK  
W - WHITE

| 1         | PRFDA 1-16F-BB000        | 0-1634201-1     |
|-----------|--------------------------|-----------------|
| 1         | PRFDA 1-16F-BB0BW        | 0-1634201-2     |
| 1         | PRFDA 1-16F-BB0CW        | 0-1634201-3     |
| 2         | PRFDB 1-16F-BR000        | 0-1634201-4     |
| 2         | PRFDB 1-16F-BG000        | 0-1634201-5     |
| 2         | PRFDB 1-16F-BY000        | 0-1634201-6     |
| 3         | PRFDD 1-16F-BB000        | 0-1634201-7     |
| 3         | PRFDD 1-16F-BB0DW        | 0-1634201-8     |
| 3         | PRFDD 1-16F-BB0EW        | 0-1634201-9     |
| 4         | PRFDD 3-16F-BB000        | 1-1634201-0     |
| 4         | PRFDD 3-16F-BB0EW        | 1-1634201-1     |
| 4         | PRFDD 3-16F-BB0GW        | 1-1634201-2     |
| SHEET REF | ALCO SWITCH PART NUMBER. | TE PART NUMBER. |

|  |  |                          |  |  |
|--|--|--------------------------|--|--|
| THIS DRAWING IS A CONTROLLED DOCUMENT. |  | DWN S.SHACKSON 28JAN2003 | Tyco Electronics Corporation<br>Harrisburg, PA 17057   |  |
| DIMENSIONS: MM                         |  | CHK H.KAUTZ 28JAN2003    | NAME POWER ROCKER SWITCH, 30.2mm X 22.2mm<br>PANEL CUT-OUT SIZE, DOUBLE POLE, SINGLE THROW,<br>NON-ILLUMINATED |  |
| TOLERANCES UNLESS OTHERWISE SPECIFIED: |  | APVD H.KAUTZ 28JAN2003   | SIZE CAGE CODE DRAWING NO RESTRICTED TO  |  |
| 0 PLC ± -                              |  | PRODUCT SPEC             | A2 00779 C=1634201 -   |  |
| 1 PLC ± 0.5                            |  | APPLICATION SPEC         | SCALE 3:1 SHEET 5 OF 5 REV D   |  |
| 2 PLC ± -                              |  | WEIGHT -                 |  |  |
| 3 PLC ± -                              |  | CUSTOMER DRAWING         |  |  |
| 4 PLC ± -                              |  |                          |  |  |
| ANGLES ± -                             |  |                          |  |  |
| FINISH                                 |  |                          |  |  |



Компания «ЭлектроПласт» предлагает заключение долгосрочных отношений при поставках импортных электронных компонентов на взаимовыгодных условиях!

Наши преимущества:

- Оперативные поставки широкого спектра электронных компонентов отечественного и импортного производства напрямую от производителей и с крупнейших мировых складов;
- Поставка более 17-ти миллионов наименований электронных компонентов;
- Поставка сложных, дефицитных, либо снятых с производства позиций;
- Оперативные сроки поставки под заказ (от 5 рабочих дней);
- Экспресс доставка в любую точку России;
- Техническая поддержка проекта, помощь в подборе аналогов, поставка прототипов;
- Система менеджмента качества сертифицирована по Международному стандарту ISO 9001;
- Лицензия ФСБ на осуществление работ с использованием сведений, составляющих государственную тайну;
- Поставка специализированных компонентов (Xilinx, Altera, Analog Devices, Intersil, Interpoint, Microsemi, Aeroflex, Peregrine, Syfer, Eurofarad, Texas Instrument, Miteq, Cobham, E2V, MA-COM, Hittite, Mini-Circuits, General Dynamics и др.);

Помимо этого, одним из направлений компании «ЭлектроПласт» является направление «Источники питания». Мы предлагаем Вам помощь Конструкторского отдела:

- Подбор оптимального решения, техническое обоснование при выборе компонента;
- Подбор аналогов;
- Консультации по применению компонента;
- Поставка образцов и прототипов;
- Техническая поддержка проекта;
- Защита от снятия компонента с производства.



#### Как с нами связаться

**Телефон:** 8 (812) 309 58 32 (многоканальный)

**Факс:** 8 (812) 320-02-42

**Электронная почта:** [org@eplast1.ru](mailto:org@eplast1.ru)

**Адрес:** 198099, г. Санкт-Петербург, ул. Калинина, дом 2, корпус 4, литера А.