

THIS DRAWING IS UNPUBLISHED. RELEASED FOR PUBLICATION  
 © COPYRIGHT - By - ALL RIGHTS RESERVED.

| LOC | DIST | REVISIONS |     |               |         |     |      |
|-----|------|-----------|-----|---------------|---------|-----|------|
| GP  | 00   | P         | LTR | DESCRIPTION   | DATE    | DWN | APVD |
|     |      |           | H1  | ECR-11-025464 | 16DEC11 | RK  | BVH  |

NOTES:

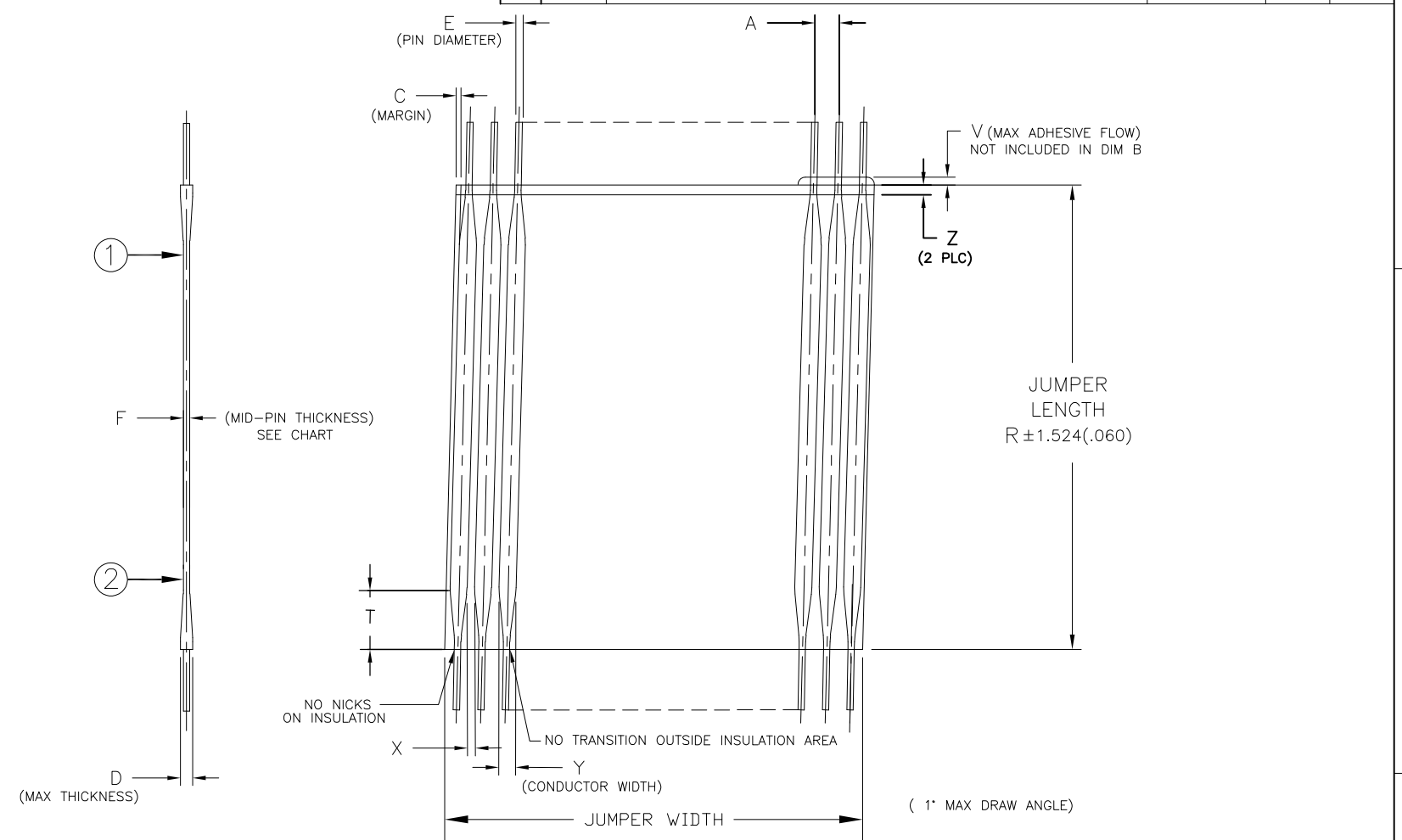
- △ PITCH TOLERANCE TO BE ±.18[.007] FOR 1.27[.050] PITCH JUMPERS & ±.25[.010] FOR ALL REMAINING PITCHES. TOLERANCE TO BE NON CUMULATIVE OVER GAUGE LENGTH.
- △ 11.92-152.40[.500-6.000] ARE STANDARD LENGTHS. JUMPERS ARE AVAILABLE IN INCREMENTS OF 2.50[.10] PLUS 6.35[.25] AND 19.05[.75].
- △ DELETED
- △ FOR CONDUCTOR PITCH 7 (2mm), ON PAGE 2 & 3, DIMENSION "B" IS 2.00[.079]
- △ SPECIAL PIN LENGTHS ARE AVAILABLE FOR JUMPERS WITH A PIN CONFIGURATION OF "A" OR "B" ON LENGTHS OF UP TO 609.6[24.0] IN 2.54[.100] & 5.08[.200] PITCH VARIANTS ONLY BY ADDING THE FOLLOWING SUFFIXES:

| SUFFIX | PEN LENGTH  | TOLERANCE        |
|--------|-------------|------------------|
| V1     | 2.85 (.112) | ±.305<br>[±.012] |
| V2     | 3.40 (.134) |                  |
| V3     | 4.10 (.161) |                  |
| V4     | 6.50 (.256) |                  |
| V5     | 3.10 (.122) |                  |
| V6     | 2.81 (.150) |                  |
| V7     | 4.50 (.177) |                  |
| V8     | 2.00 (.079) |                  |
| V9     | TBD         |                  |
| V10    | .76 (.030)  |                  |
| V11    | 2.41 (.095) |                  |



6. RECOMMENDED PCB HOLE DRILLING DETAILS ARE AS FOLLOWS:-

| PITCH A     | ØG         |
|-------------|------------|
| 1.27 (.050) | .70 (.028) |
| 1.90 (.075) | .80 (.031) |
| 2.54 (.100) | .95 (.037) |
| 3.18 (.125) | .95 (.037) |
| 3.81 (.150) | .95 (.037) |
| 5.08 (.200) | .95 (.037) |



- △ BEND RADIUS TO APPLY ONLY IN THE FLAT SECTION OF JUMPER BETWEEN THE CONDUCTOR TRANSITION AREAS.
- △ PER 108-2135.
- 9. TOOL MARKS PERMISSIBLE ON BENDS. NO EXPOSED COPPER.
- △ PIN DIAMETER SPECIFIED NOT APPLICABLE IN BENDING AREA OF PIN, DUE TO NORMAL DEFORMATION OF BENDING PROCESS.
- △ REFER TO RELEVANT MATERIAL SPECIFICATIONS.

| F - MID POINT THICKNESS BETWEEN PT 1 & PT 2 | MINIMUM     | MAXIMUM     |
|---|-------------|-------------|
|   | NOMEX®      | .152 [.006] |
| POLYESTER                                   | .152 [.006] | .305 [.012] |
| KAPTON®                                     | .102 [.004] | .254 [.010] |
| TEFLON®                                     | .305 [.012] | .533 [.021] |

12. PRODUCT AND PROCESSING MUST MEET REQUIREMENTS OF TE CONNECTIVITY STANDARD 230-702.

Nomex®, Teflon® and Kapton® are trademarks of E. I. DuPont de Nemours.

| JUMPER LENGTH   | PITCH (NOMINAL) | TRANSITION MAX | MAX/MIN MARGIN            | △ PIN DIAMETER              | WIRE GAUGE (AWG) | MIN/MAX No OF CONDUCTORS | MAXIMUM ADHESIVE FLOW | MIN GAP BETWEEN CONDUCTORS | CONDUCTOR WIDTH         | MAXIMUM INSULATION MISMATCH | MAX THICKNESS |
|---|-----------------|----------------|---------------------------|-----------------------------|------------------|--------------------------|-----------------------|----------------------------|-------------------------|-----------------------------|---------------|
| R △   | A △             | T              | C                         | E                           | -                | -                        | V                     | X                          | Y                       | Z                           | D             |
| 11.93 (.50) TO 863.6 (30.00) IN STEPS OF 2.50 (.10) PLUS 6.35 (.25) AND 19.05 (.75) | 1.00 (0.039)    | 4.32 [.170]    | 0.35 (0.014) 0.17 (.007)  | 0.330 (.0130) 0.317 (.0125) | 28               | 2-70                     | 0.38 (0.015)          | 0.13 (0.009)               | 0.76 (.030) 0.56 (.022) | .76 (.030)                  | .64           |
|   | 1.25 (0.049)    | 4.32 [.170]    | 0.50 (0.020) 0.17 (0.007) | 0.330 (.0130) 0.317 (.0125) | 28               | 2-70                     | 0.38 (0.015)          | 0.25 (0.010)               | 0.89 (.035) 0.64 (.025) | .76 (.030)                  | .64           |
|   | 1.27 (0.050)    | 4.32 [.170]    | 0.50 (0.020) 0.17 (0.007) | 0.330 (.0130) 0.317 (.0125) | 28               | 2-70                     | 0.38 (0.015)          | 0.25 (0.010)               | 0.89 (.035) 0.64 (.025) | .76 (.030)                  | .64           |
|   | 2.00 (0.079)    | 5.08 [.200]    | 0.70 (0.028) 0.25 (0.010) | 0.416 (.0164) 0.400 (.0157) | 26               | 2-50                     | 0.38 (0.015)          | 0.38 (0.015)               | 1.14 (.045) 0.89 (.035) | .76 (.030)                  | .84           |
|   | 1.90 (0.075)    | 5.08 [.200]    | 0.70 (0.028) 0.25 (0.010) | 0.416 (.0164) 0.400 (.0157) | 26               | 2-50                     | 0.38 (0.015)          | 0.38 (0.015)               | 1.14 (.045) 0.89 (.035) | .76 (.030)                  | .84           |
|   | 2.54 (0.100)    | 6.35 [.250]    | 0.80 (0.031) 0.25 (0.010) | 0.526 (.0207) 0.505 (.0199) | 24               | 2-50                     | 0.51 (0.020)          | 0.51 (0.020)               | 1.52 (.060) 1.27 (.050) | .76 (.030)                  | .84           |
|   | 3.18 (0.125)    | 6.35 [.250]    | 1.00 (0.039) 0.25 (0.010) | 0.526 (.0207) 0.505 (.0199) | 24               | 2-25                     | 0.51 (0.020)          | 0.51 (0.020)               | 1.52 (.060) 1.27 (.050) | .76 (.030)                  | .84           |
|   | 3.81 (0.150)    | 6.35 [.250]    | 1.00 (0.039) 0.25 (0.010) | 0.526 (.0207) 0.505 (.0199) | 24               | 2-20                     | 0.51 (0.020)          | 0.51 (0.020)               | 1.52 (.060) 1.27 (.050) | .76 (.030)                  | .84           |
|   | 5.08 (0.200)    | 6.35 [.250]    | 1.00 (0.039) 0.25 (0.010) | 0.526 (.0207) 0.505 (.0199) | 24               | 2-15                     | 0.51 (0.020)          | 0.51 (0.020)               | 1.52 (.060) 1.27 (.050) | .76 (.030)                  | .84           |

THIS DRAWING IS A CONTROLLED DOCUMENT.

DWN J. SCHWARTZ 28FEB01  
 CHK E. FOX 28FEB01  
 APVD E. FOX 28FEB01

STE TE Connectivity

FLEXSTRIP PIN CONFIGURATIONS, GENERIC

SIZE A3 CAGE CODE 00779 DRAWING NO C-1474339 RESTRICTED TO -

CUSTOMER DRAWING SCALE N.T.S. SHEET 1 OF 4 REV H1



**MANUFACTURING NOTE:**

**MINIMUM GAP BETWEEN STRIPS**

|        |          |
|--------|----------|
| SK/A/Z | .75 INCH |
| LP     | 1.1 INCH |

**MINIMUM CONDUCTOR COUNT PER STRIP FOR LINE JOBS**

| PITCH         | CONDUCTOR |
|---------------|-----------|
| 1 1.27 (.050) | 60        |
| 2 2.54 (.100) | 60        |
| 3 3.18 (.125) | 60        |
| 4 3.81 (.150) | 50        |
| 5 5.08 (.200) | 40        |
| 6 1.91 (.075) | 60        |
| 7 2.0 (.078)  | 60        |
| 8 1.24 (.049) | 60        |
| 9 1.0 (.039)  | 80        |



Nomex®, Teflon® and Kapton® are trademarks of E. I. DuPont de Nemours.

THIS DRAWING IS A CONTROLLED DOCUMENT.

| DIMENSIONS: MM [INCHES] | TOLERANCES UNLESS OTHERWISE SPECIFIED: |
|-------------------------|--|
| 0 PLC                   | ± -                                    |
| 1 PLC                   | ± -                                    |
| 2 PLC                   | ± -                                    |
| 3 PLC                   | ± -                                    |
| 4 PLC                   | ± -                                    |
| ANGLES                  | ± 1/2°                                 |
| MATERIAL                | FINISH                                 |

|                  |                                       |         |                     |
|------------------|---------------------------------------|---------|---------------------|
| DWN              | J. SCHWARTZ                           | 28FEB01 | <br>TE Connectivity |
| CHK              | E. FOX                                | 28FEB01 |                     |
| APVD             | E. FOX                                | 28FEB01 |                     |
| PRODUCT SPEC     | NAME                                  |         |                     |
| APPLICATION SPEC | FLEXSTRIP PIN CONFIGURATIONS, GENERIC |         | RESTRICTED TO       |
| WEIGHT           | A3 00779 C-1474339                    |         | SCALE               |
| CUSTOMER DRAWING |                                       |         | N.T.S.              |
| SHEET            |                                       |         | 2 OF 4              |
| REV              |                                       |         | H1                  |

THIS DRAWING IS UNPUBLISHED. RELEASED FOR PUBLICATION  
 © COPYRIGHT - By - ALL RIGHTS RESERVED.

| LOC | DIST | REVISIONS |     |             |      |     |      |
|-----|------|-----------|-----|-------------|------|-----|------|
| GP  | 00   | P         | LTR | DESCRIPTION | DATE | DWN | APVD |
|     |      | -         |     | SEE SHEET 1 | -    | -   | -    |



**SPECIAL JUMPERS  
SMART DESCRIPTION**



| CONDUCTOR PITCH  | BENDS AVAILABLE |
|------------------|-----------------|
| 1 - 1.27/(.050)  | E,F,G,H,J,K,L   |
| 2 - 2.54/(.100)  | E,F,G,H,J,K,L   |
| 3 - 3.18/(.125)  | E               |
| 4 - 3.81/(.150)  | E               |
| 5 - 5.08/(.200)  | E               |
| 6 - 1.91/(.075)  | E,F,G,H,J,K,L   |
| 7 - 2.00/(.0787) | E,F,G,H,J,K,L   |
| 8 - 1.25/(.049)  | E               |
| 9 - 1.00/(.039)  | E               |

|                                     |
|-------------------------------------|
| E THRU L BEND                       |
| "A"<br>DIM<br>3.18±0.76/(.125±.030) |
| "B"<br>DIM<br>2.54±0.25/(.100±.010) |

**SPECIAL FLEXSTRIP BENDS**  
 SPECIAL FLEXSTRIP BENDS  
 E THRU R, AND Z MAY APPLY TO EITHER  
 LEFT OF RIGHT SIDE

Nomex®, Teflon® and Kapton® are trademarks of E. I. DuPont de Nemours.

|  |  |                               |   |                    |
|--|--|-------------------------------|---|--------------------|
| THIS DRAWING IS A CONTROLLED DOCUMENT.   |  | DWN<br>J. SCHWARTZ<br>28FEB01 | TE Connectivity                               |                    |
| DIMENSIONS:<br>MM [INCHES]   |  | CHK<br>E. FOX<br>28FEB01      |   |                    |
| TOLERANCES UNLESS OTHERWISE SPECIFIED:   |  | APVD<br>E. FOX<br>28FEB01     | NAME<br>FLEXSTRIP PIN CONFIGURATIONS, GENERIC |                    |
|  |  | PRODUCT SPEC                  | -   |                    |
| 0 PLC ± -<br>1 PLC ± -<br>2 PLC ± -<br>3 PLC ± -<br>4 PLC ± -<br>ANGLES ± 1/2° |  | APPLICATION SPEC              | -   |                    |
| MATERIAL   |  | WEIGHT                        | SIZE<br>A3                                    | CAGE CODE<br>00779 |
|  |  | FINISH                        | DRAWING NO<br>C-1474339                       | RESTRICTED TO      |
|  |  |                               | SCALE<br>N.T.S.                               | SHEET<br>3 OF 4    |
|  |  |                               |   | REV<br>H1          |

THIS DRAWING IS UNPUBLISHED. RELEASED FOR PUBLICATION  
 © COPYRIGHT - By - ALL RIGHTS RESERVED.

|           |            |             |      |     |
|-----------|------------|-------------|------|-----|
| LOC<br>GP | DIST<br>00 | REVISIONS   |      |     |
| P         | LTR        | DESCRIPTION | DATE | DWN |
|           |            | SEE SHEET 1 | -    | -   |

|   |                  |  |  |  |  |  |  |  |  |  |
|---|------------------|--|--|--|--|--|--|--|--|--|
| NORMAL CONDUCTOR PITCH  |                  | 1.00<br>(.039)   | 1.25<br>(.049)   | 1.27<br>(.050)   | 1.90<br>(.075)   | 2.00<br>(.078)   | 2.54<br>(.100)   | 3.18<br>(.125)   | 3.81<br>(.150)   | 5.08<br>(.200)   |
| WIRE GAUGE  |                  | AWG 28   | AWG 28   | AWG 28   | AWG 26   | AWG 26   | AWG 24   | AWG 24   | AWG 24   | AWG 24   |
| NOMINAL WIRE DIAMETER   |                  | .32(.0126)   | .32(.0126)   | .32(.0126)   | .40(.0159)   | .40(.0159)   | .51(.0201)   | .51(.0201)   | .51(.0201)   | .51(.0201)   |
| CURRENT RATING  |                  | 8  | 8  | 8  | 8  | 8  | 8  | 8  | 8  | 8  |
| VOLTAGE RATING  |                  | 8  | 8  | 8  | 8  | 8  | 8  | 8  | 8  | 8  |
| MAX NUMBER OF CONDUCTORS PER JUMPER                             |                  | 8  | 8  | 8  | 8  | 8  | 8  | 8  | 8  | 8  |
| MIN BREAKDOWN VOLTAGE @ 1 MIN                                   |                  | 8  | 8  | 8  | 8  | 8  | 8  | 8  | 8  | 8  |
| INSULATION RESISTANCE (GND. SIG. GND) 305 (12") SAMPLE @ 500VDC | P<br>N<br>T<br>K | 8  | 8  | 8  | 8  | 8  | 8  | 8  | 8  | 8  |
| CAPACITANCE (pf / 50.8 (12") LENGTH) (GND, SIG, GND) (AVERAGE)  | P<br>N<br>T<br>K | 8  | 8  | 8  | 8  | 8  | 8  | 8  | 8  | 8  |
| CHARACTERISTIC IMPEDANCE (GND. SIG. GND) (AVERAGE)              | P<br>N<br>T<br>K | 8  | 8  | 8  | 8  | 8  | 8  | 8  | 8  | 8  |
| APPLICATION TEMP RANGE (C°) (FOR SOLDERING)                     | P<br>N<br>T<br>K | 200 / 4 sec<br>200 / 4 sec<br>240 / 4 sec<br>240 / 4 sec   | 200 / 4 sec<br>200 / 4 sec<br>240 / 4 sec<br>240 / 4 sec | 200 / 4 sec<br>200 / 4 sec<br>240 / 4 sec<br>240 / 4 sec | 200 / 4 sec<br>200 / 4 sec<br>240 / 4 sec<br>240 / 4 sec | 200 / 4 sec<br>200 / 4 sec<br>240 / 4 sec<br>240 / 4 sec | 250 / 4 sec<br>250 / 4 sec<br>260 / 5 sec<br>260 / 5 sec | 250 / 4 sec<br>250 / 4 sec<br>260 / 5 sec<br>260 / 5 sec | 250 / 4 sec<br>250 / 4 sec<br>260 / 5 sec<br>260 / 5 sec | 250 / 4 sec<br>250 / 4 sec<br>260 / 5 sec<br>260 / 5 sec |
| OPERATING TEMPERATURE (C°)                                      | P<br>N<br>T<br>K | -40 to 105 (For all Conductor Pitches)<br>-40 to 125 (For all Conductor Pitches)<br>-40 to 150 (For all Conductor Pitches)<br>-40 to 150 (For all Conductor Pitches)                                     |  |  |  |  |  |  |  |  |
| MINIMUM BEND RADIUS   | P<br>N<br>T<br>K | 3.18mm (For all Conductor Pitches)<br>3.18mm (For all Conductor Pitches)<br>3.18mm (For all Conductor Pitches)<br>3.18mm (For all Conductor Pitches)   |  |  |  |  |  |  |  |  |
| UL STYLE NUMBER   | P<br>N<br>T<br>K | 2639 (For all Conductor Pitches .100 and above)<br>5456 (For all Conductor Pitches .100 and above)<br>2928 (For all Conductor Pitches .100 and above)<br>2927 (For all Conductor Pitches .100 and above) |  |  |  |  |  |  |  |  |

| ABR. | MATERIAL    | SPECIFICATION |
|------|-------------|---------------|
|      | COPPER WIRE | 100-1577      |
| P    | POLYESTER   | 100-1575      |
| N    | NOMEX®      | 100-1758      |
| T    | TEFLON®     | 100-1574      |
| K    | KAPTON®     | 100-1576      |

Nomex®, Teflon® and Kapton® are trademarks of E. I. DuPont de Nemours.

|   |  |                               |   |               |
|---|--|-------------------------------|---|---------------|
| THIS DRAWING IS A CONTROLLED DOCUMENT.  |  | DWN<br>J. SCHWARTZ<br>28FEB01 |  TE Connectivity |               |
| DIMENSIONS: MM [INCHES]   |  | CHK<br>E. FOX<br>28FEB01      |   |               |
| TOLERANCES UNLESS OTHERWISE SPECIFIED:  |  | APVD<br>E. FOX<br>28FEB01     | NAME<br>FLEXSTRIP PIN CONFIGURATIONS, GENERIC   |               |
|  |  | PRODUCT SPEC                  | -   |               |
| MATERIAL  |  | APPLICATION SPEC              | -   |               |
| FINISH  |  | WEIGHT                        | SIZE  | RESTRICTED TO |
| -   |  | -                             | A3  | -             |
|   |  | CUSTOMER DRAWING              | CAGE CODE   | DRAWING NO    |
|   |  |                               | 00779   | C-1474339     |
|   |  | SCALE                         | SHEET   | REV           |
|   |  | N.T.S.                        | 4 OF 4  | H1            |



Компания «ЭлектроПласт» предлагает заключение долгосрочных отношений при поставках импортных электронных компонентов на взаимовыгодных условиях!

Наши преимущества:

- Оперативные поставки широкого спектра электронных компонентов отечественного и импортного производства напрямую от производителей и с крупнейших мировых складов;
- Поставка более 17-ти миллионов наименований электронных компонентов;
- Поставка сложных, дефицитных, либо снятых с производства позиций;
- Оперативные сроки поставки под заказ (от 5 рабочих дней);
- Экспресс доставка в любую точку России;
- Техническая поддержка проекта, помощь в подборе аналогов, поставка прототипов;
- Система менеджмента качества сертифицирована по Международному стандарту ISO 9001;
- Лицензия ФСБ на осуществление работ с использованием сведений, составляющих государственную тайну;
- Поставка специализированных компонентов (Xilinx, Altera, Analog Devices, Intersil, Interpoint, Microsemi, Aeroflex, Peregrine, Syfer, Eurofarad, Texas Instrument, Miteq, Cobham, E2V, MA-COM, Hittite, Mini-Circuits, General Dynamics и др.);

Помимо этого, одним из направлений компании «ЭлектроПласт» является направление «Источники питания». Мы предлагаем Вам помощь Конструкторского отдела:

- Подбор оптимального решения, техническое обоснование при выборе компонента;
- Подбор аналогов;
- Консультации по применению компонента;
- Поставка образцов и прототипов;
- Техническая поддержка проекта;
- Защита от снятия компонента с производства.



#### Как с нами связаться

**Телефон:** 8 (812) 309 58 32 (многоканальный)

**Факс:** 8 (812) 320-02-42

**Электронная почта:** [org@eplast1.ru](mailto:org@eplast1.ru)

**Адрес:** 198099, г. Санкт-Петербург, ул. Калинина, дом 2, корпус 4, литера А.