

DATA SHEET

SKY13492-21: 0.7 to 2.7 GHz SP16T MIPI® Antenna Switch Module

Applications

- 2G/3G/4G multimode cellular handsets (LTE, UMTS, CDMA2000, EDGE, GSM, TDD-LTE, TD-SCDMA)
- Embedded data cards

Features

- Dedicated Band 7 TRX ports: 0.90 dB insertion loss @ 2.7 GHz
- High isolation and linearity
- Broadband frequency range: 0.7 to 2.7 GHz
- Fourteen linear TRX ports
- Integrated low- and high-band GSM harmonic filters
- External MIPI select pin to enable multiple trigger controls
- Small MCM (24-pin, 2.5 x 3.3 x 0.8 mm) package (MSL3, 260 °C per JEDEC J-STD-020)



Skyworks Green™ products are compliant with all applicable legislation and are halogen-free. For additional information, refer to *Skyworks Definition of Green™*, document number SQ04-0074.

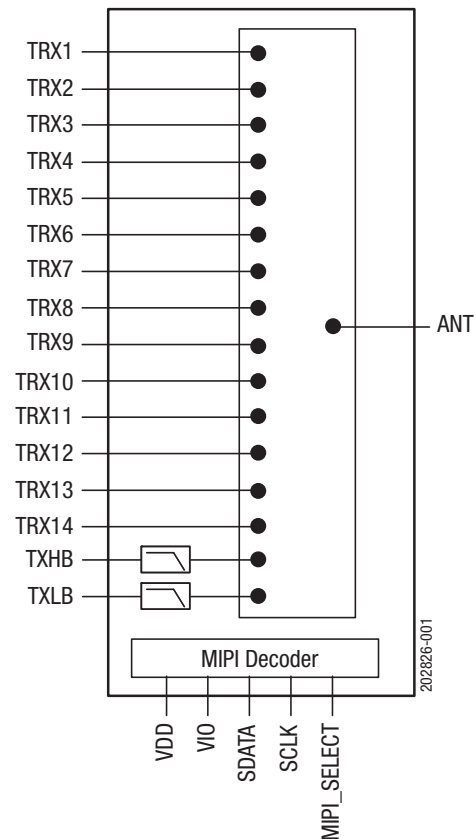


Figure 1. SKY13492-21 Block Diagram

Description

The SKY13492-21 is a single-pole, sixteen-throw (SP16T) antenna switch with an integrated Mobile Industry Processor Interface (MIPI) controller. Using an advanced switching technology, the SKY13492-21 maintains low insertion and high isolation, which makes it an ideal choice for UMTS, CDMA2000, EDGE, GSM, and LTE applications.

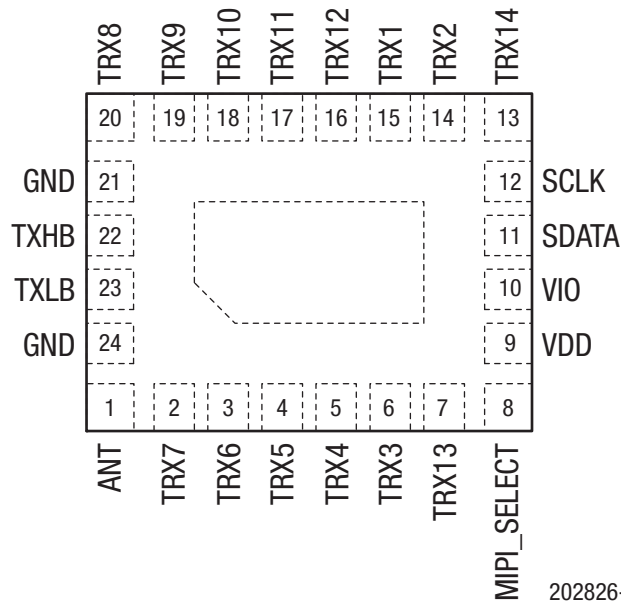
The design features two dedicated GSM transmit ports and three dedicated ultra low-loss TRX ports. The switch also has an excellent triple beat ratio and second/third order intermodulation distortion (IMD2/IMD3) performance.

Switching is controlled by the MIPI decoder. There is an external MIPI select pin that enables how the switch responds to power

mode triggers. When this pin is grounded, the switch responds to any of the power mode triggers. When this pin is left open, the switch responds to individual power mode triggers. No external DC blocking capacitors are required on the RF paths as long as no DC voltage is applied.

The SKY13492-21 is manufactured in a compact, 2.5 x 3.3 x 0.8 mm, 24-pin surface mount Multi-Chip Module (MCM) package.

A functional block diagram is shown in Figure 1. The pin configuration and package are shown in Figure 2. Signal pin assignments and functional pin descriptions are provided in Table 1.



202826-002

Figure 2. SKY13492-21 Pinout (Top View)

Table 1. SKY13492-21 Signal Descriptions¹ (1 of 2)

| Pin | Name | Description | Pin | Name | Description |
|-----|-------|--|-----|-------------|--|
| 1 | ANT | Antenna port | 8 | MIPI_SELECT | MIPI interface select. When this pin is grounded, the switch responds to any of the power mode triggers. When this pin is left open, the switch is RFFE MIPI compliant and responds to individual power mode triggers. |
| 2 | TRX7 | 3G WCDMA transmit/receive port 7. This pin is either connected directly to or disconnected from pin 1, depending on the applied control data. | 9 | VDD | DC power supply |
| 3 | TRX6 | 3G WCDMA transmit/receive port 6. This pin is either connected directly to or disconnected from pin 1, depending on the applied control data. | 10 | VIO | MIPI decoder enable/reference voltage |
| 4 | TRX5 | 3G WCDMA transmit/receive port 5. This pin is either connected directly to or disconnected from pin 1, depending on the applied control data. | 11 | SDATA | Data input/output |
| 5 | TRX4 | 3G WCDMA transmit/receive port 4. This pin is either connected directly to or disconnected from pin 1, depending on the applied control data. | 12 | SCLK | Clock signal |
| 6 | TRX3 | Ultra low-loss 3G WCDMA transmit/receive port 3. This pin is either connected directly to or disconnected from pin 1, depending on the applied control data. | 13 | TRX14 | 3G WCDMA transmit/receive port 14. This pin is either connected directly to or disconnected from pin 1, depending on the applied control data. |
| 7 | TRX13 | 3G WCDMA transmit/receive port 13. This pin is either connected directly to or disconnected from pin 1, depending on the applied control data. | 14 | TRX2 | Ultra low-loss 3G WCDMA transmit/receive port 2. This pin is either connected directly to or disconnected from pin 1, depending on the applied control data. |

Table 1. SKY13492-21 Signal Descriptions¹ (2 of 2)

| Pin | Name | Description | Pin | Name | Description |
|-----|-------|--|-----|------|---|
| 15 | TRX1 | Ultra low-loss 3G WCDMA transmit/receive port 1. This pin is either connected directly to or disconnected from pin 1, depending on the applied control data. | 20 | TRX8 | 3G WCDMA transmit/receive port 8. This pin is either connected directly to or disconnected from pin 1, depending on the applied control data. |
| 16 | TRX12 | 3G WCDMA transmit/receive port 12. This pin is either connected directly to or disconnected from pin 1, depending on the applied control data. | 21 | GND | Ground |
| 17 | TRX11 | 3G WCDMA transmit/receive port 11. This pin is either connected directly to or disconnected from pin 1, depending on the applied control data. | 22 | TXHB | GSM transmit high band. This pin is either connected directly to or disconnected from pin 1, depending on the applied control data. |
| 18 | TRX10 | 3G WCDMA transmit/receive port 10. This pin is either connected directly to or disconnected from pin 1, depending on the applied control data. | 23 | TXLB | GSM transmit low band. This pin is either connected directly to or disconnected from pin 1, depending on the applied control data. |
| 19 | TRX9 | 3G WCDMA transmit/receive port 9. This pin is either connected directly to or disconnected from pin 1, depending on the applied control data. | 24 | GND | Ground |

¹ Bottom ground paddles must be connected to ground.

Electrical and Mechanical Specifications

The absolute maximum ratings of the SKY13492-21 are provided in Table 2. Electrical specifications are provided in Tables 3 and 4. IMD2 and IMD3 test conditions for various frequencies are listed in Tables 5 and 6, respectively.

Triple beat ratio (TBR) test conditions for bands 2 and 5 are listed in Table 7.

Figure 3 shows a timing diagram. Figure 4 illustrates the test setup used to measure intermodulation products. This industry standardized test is used to simulate the WCDMA Band 1 linearity of the antenna switch. A +20 dBm continuous wave (CW) signal, f_{FUND} , is sequentially applied to the TRX1 through TRX14 ports, while a -15 dBm CW blocker signal, f_{BLK} , is applied to the ANT port.

The resulting third order intermodulation distortion (IMD3), f_{RX} , is measured over all phases of f_{FUND} . The SKY13492-21 exhibits exceptional performance for all TRXx ports.

Table 8 shows the isolation matrix for "On" to "Off" arms. Table 9 shows the isolation matrix for "Ant" to "Off" arms. Table 10 provides the matrix of insertion loss and return loss information. Table 11 describes the register content and programming read/write sequences. Refer to the *MIPI Alliance Specification for RF Front-End Control Interface (RFFE)*, v1.10 (26 July 2011) for additional information on MIPI programming sequences and MIPI bus specifications.

Figures 5 and 6 provide the timing diagrams for register write commands and read commands, respectively.

Table 12 provides the Register_0 logic. Table 13 describes the register parameters and bit values.

Table 2. SKY13492-21 Absolute Maximum Ratings¹

| Parameter | Symbol | Minimum | Maximum | Units |
|---|--------|---------|-------------------|-------------------|
| Supply voltage | VDD | 2.5 | 6.0 | V |
| MIPI decoder enable/reference voltage | VIO | | 2 | V |
| Clock signal voltage | SCLK | | VIO | V |
| Data signal voltage | SDATA | | VIO | V |
| RF input power: LTX pin HTX pin All TRXx pins ² | PIN | | +36 +34 +31 | dBm dBm dBm |
| Storage temperature | TSTG | -55 | +150 | °C |
| Operating temperature | TOP | -30 | +90 | °C |

¹ Exposure to maximum rating conditions for extended periods may reduce device reliability. There is no damage to device with only one parameter set at the limit and all other parameters set at or below their nominal value. Exceeding any of the limits listed here may result in permanent damage to the device.

² RF input power for TRXx pins is evaluated with 25% duty cycle rectangular pulse wave.

ESD HANDLING: *Although this device is designed to be as robust as possible, electrostatic discharge (ESD) can damage this device. This device must be protected at all times from ESD when handling or transporting. Static charges may easily produce potentials of several kilovolts on the human body or equipment, which can discharge without detection. Industry-standard ESD handling precautions should be used at all times.*

Table 3. SKY13492-21 DC Electrical Specifications¹

(VDD = 2.85 V, TOP = +25 °C, Characteristic Impedance [Zo] = 50 Ω, Unless Otherwise Noted)

| Parameter | Symbol | Test Condition | Min | Typical | Max | Units |
|----------------------------------|--------|----------------|-----------|---------|-----------|----------|
| Supply voltage | VDD | | 2.50 | 2.85 | 6.00 | V |
| Supply current, active mode | IDD | | | 45 | 85 | μA |
| Interface supply voltage | VIO | | 1.65 | 1.80 | 1.95 | V |
| Interface signal: High Low | SDATA | | 0.8 × VIO | | 0.2 × VIO | V V |
| Control current: High Low | | | | 1 1 | 5 5 | μA μA |

¹ Performance is guaranteed only under the conditions listed in this table.

Table 4. SKY13492-21 RF Electrical Specifications¹ (1 of 2)
(V_{DD} = 2.85 V, T_{OP} = +25 °C, Characteristic Impedance [Z₀] = 50 Ω, Unless Otherwise Noted)

| Parameter | Symbol | Test Condition | Min | Typical | Max | Units |
|--|-------------|--|------|---------|------|-------|
| Operating frequency | f | | 0.7 | | 2.7 | GHz |
| Insertion loss | IL | TXLB, 824 to 915 MHz | | 1.35 | 1.50 | dB |
| | | TXHB, 1710 to 1910 MHz | | 1.25 | 1.40 | dB |
| | | TRX1 to TRX14 ports (except TRX7): 700 to 824 MHz | | 0.55 | 0.80 | dB |
| | | 824 to 960 MHz | | 0.65 | 0.90 | dB |
| | | 1710 to 1990 MHz | | 0.80 | 0.95 | dB |
| | | TRX4 to TRX14 ports (except TRX7): 2110 to 2170 MHz | | 0.90 | 1.05 | dB |
| | | 2300 to 2690 MHz | | 0.90 | 1.15 | dB |
| | | TRX1/2/3 ports: 2110 to 2170 MHz | | 0.80 | 1.00 | dB |
| | | 2300 to 2690 MHz | | 0.90 | 1.10 | dB |
| | | TRX7 port: 824 to 960 MHz | | 0.70 | 0.90 | dB |
| 1710 to 1990 MHz | | 0.90 | 1.05 | dB | | |
| 2110 to 2170 MHz | | 1.15 | 1.25 | dB | | |
| 2300 to 2690 MHz | | 1.15 | 1.25 | dB | | |
| GSM LB TX: 2f0 attenuation 3f0 attenuation 4f0 attenuation | H2LB | 2f0 attenuation 1830 MHz | 22 | 24 | | dB |
| | H3LB | 3f0 attenuation 2745 MHz | 23 | 27 | | dB |
| | H4LB | 4f0 attenuation 3660 MHz | 30 | 35 | | dB |
| GSM HB TX: 2f0 attenuation 3f0 attenuation | H2HB | 2f0 attenuation 3820 MHz | 20 | 22 | | dB |
| | H3HB | 3f0 attenuation 5730 MHz | 17 | 19 | | dB |
| Isolation (TRXx to any off TRXx port [non-adjacent ports]) (See Table 8 for full matrix) | Iso | 824 to 1910 MHz | 25 | 28 | | dB |
| | | 1910 to 2690 MHz | 20 | 23 | | dB |
| Isolation (TRXx to any off TRXx port [adjacent ports]) (See Table 8 for full matrix) | Iso | 824 to 1910 MHz | 20 | 23 | | dB |
| | | 1910 to 2690 MHz | 17 | 20 | | dB |
| On state match | Return Loss | 0.7 to 2.7 GHz | 14 | 18 | | dB |
| GSM harmonics: High band | 2fo, 3fo | PIN = +33 dBm, 50 Ω | | -51 | -48 | dBm |
| | | PIN = +33 dBm, 3:1 VSWR | | -36 | | dBm |
| Low band | 2fo, 3fo | PIN = +35 dBm, 50 Ω | | -60 | -55 | dBm |
| | | PIN = +35 dBm, 3:1 VSWR | | -36 | | dBm |
| TRXx harmonics | 2fo, 3fo | PIN = +25 dBm, 50 Ω, f = 704 to 2700 MHz | | -63 | -59 | dBm |
| | | PIN = +25 dBm, 5:1 VSWR, f = 704 to 2700 MHz | | | -40 | dBm |

Table 4. SKY13492-21 RF Electrical Specifications¹ (2 of 2)
(V_{DD} = 2.85 V, T_{OP} = +25 °C, Characteristic Impedance [Z₀] = 50 Ω, Unless Otherwise Noted)

| Parameter | Symbol | Test Condition | Min | Typical | Max | Units |
|--|-----------------|---|------------|---------|------|------------|
| TRX1 through TRX14, band 13 2 nd harmonics | 2fo | PIN = +25 dBm, f = 787 MHz | | | -78 | dBm |
| Second order intermodulation distortion | IMD2 | See test conditions in Table 5 | | -104 | -102 | dBm |
| Third order intermodulation distortion | IMD3 | See test conditions in Table 6 | | -110 | -105 | dBm |
| Triple beat ratio: 650 to 900 MHz 1710 to 2155 MHz | TBR | See test conditions in Table 7 | +81 +81 | | | dBc dBc |
| Turn-on time (see Figure 3) | t _{ON} | From application of V _{DD} and V _{IO} | | | 20 | μs |
| Switching speed (see Figure 3) | t _s | Port to port | | 2 | 5 | μs |

¹ Performance is guaranteed only under the conditions listed in this table.

Table 5. IMD2 Test Conditions

| Band | Transmit Frequency (MHz) | Transmit Power (dBm) | Frequency Blocker, Low (MHz) | Frequency Blocker, High (MHz) | Power Blocker (dBm) | Receive Frequency (MHz) |
|------|--------------------------|----------------------|------------------------------|-------------------------------|---------------------|-------------------------|
| 1 | 1950.0 | +20 | 190 | 4090 | -15 | 2140.0 |
| 2 | 1880.0 | | 80 | 3840 | | 1960.0 |
| 4 | 1732.0 | | 400 | 3864 | | 2132.0 |
| 5 | 836.5 | | 45 | 1718 | | 881.5 |
| 7 | 2535.0 | | 120 | 5187 | | 2655.0 |
| 8 | 897.0 | | 45 | 1839 | | 942.0 |

Table 6. IMD3 Test Conditions

| Band | Transmit Frequency (MHz) | Transmit Power (dBm) | Frequency Blocker (MHz) | Power Blocker (dBm) | Receive Frequency (MHz) |
|------|--------------------------|----------------------|-------------------------|---------------------|-------------------------|
| 1 | 1950.0 | +20 | 1760.0 | -15 | 2140.0 |
| 2 | 1880.0 | | 1800.0 | | 1960.0 |
| 4 | 1732.0 | | 1332.0 | | 2132.0 |
| 5 | 836.5 | | 791.5 | | 881.5 |
| 7 | 2535.0 | | 2415.0 | | 2655.0 |
| 8 | 897.0 | | 852.0 | | 942.0 |

Table 7. Triple Beat Ratio Test Conditions

| Band | Transmit Frequency 1 (MHz) | Transmit Power 1 (dBm) | Transmit Frequency 2 (MHz) | Transmit Power 2 (dBm) | Frequency Blocker @ ANT (MHz) | Power Blocker (dBm) | TBR Product Frequency (MHz) |
|------|----------------------------|------------------------|----------------------------|------------------------|-------------------------------|---------------------|-----------------------------|
| 2 | 1880.0 | +21.5 | 1881.0 | +21.5 | 1960.0 | -30 | 1960.0 ± 1 |
| 5 | 836.5 | | 837.5 | | 881.5 | | 881.5 ± 1 |

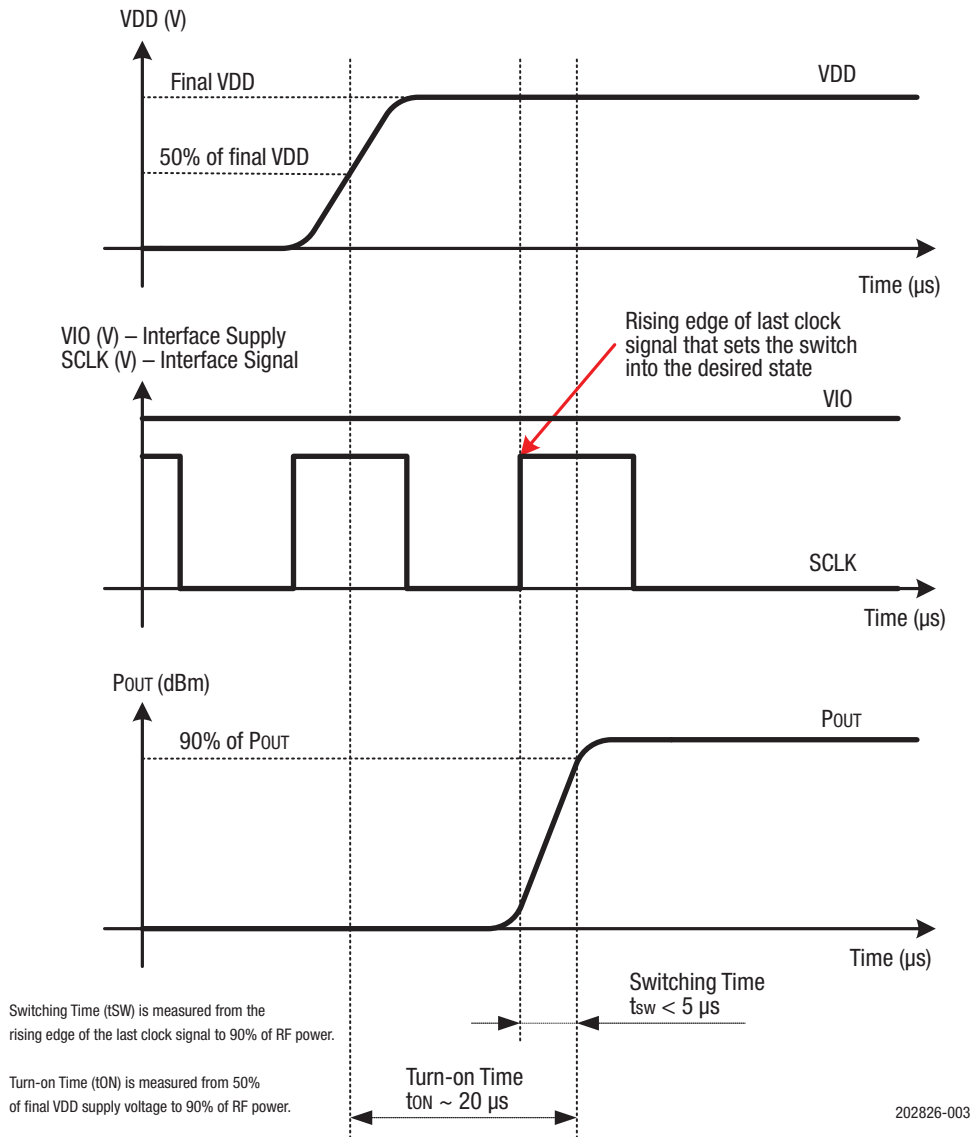


Figure 3. SKY13492-21. Timing Diagram

Table 8. SKY13492-21: Isolation Matrix: Isolation “On” Arms to “Off” Arms (1 of 2)

| “On” Arms | Freq (MHz) | Isolation (dB) | | | | | | | | | | | | | | | |
|-----------|------------|----------------|-----|------|------|------|------|------|------|------|------|------|-------|-------|-------|-------|-------|
| | | LTX | HTX | TRX1 | TRX2 | TRX3 | TRX4 | TRX5 | TRX6 | TRX7 | TRX8 | TRX9 | TRX10 | TRX11 | TRX12 | TRX13 | TRX14 |
| LTX | 915 | | -31 | -52 | -51 | -46 | -42 | -45 | -45 | -41 | -46 | -49 | -51 | -51 | -52 | -55 | -54 |
| LTX | 1910 | | -26 | -51 | -52 | -43 | -42 | -47 | -43 | -37 | -37 | -41 | -44 | -45 | -49 | -53 | -46 |
| LTX | 2690 | | -16 | -47 | -48 | -42 | -41 | -42 | -39 | -34 | -33 | -37 | -40 | -41 | -44 | -48 | -44 |
| HTX | 915 | -33 | | -48 | -46 | -53 | -53 | -53 | -51 | -46 | -37 | -41 | -44 | -57 | -53 | -50 | -52 |
| HTX | 1910 | -23 | | -42 | -38 | -45 | -45 | -45 | -43 | -37 | -32 | -36 | -38 | -47 | -53 | -42 | -43 |
| HTX | 2690 | -17 | | -49 | -40 | -49 | -49 | -49 | -48 | -47 | -33 | -38 | -41 | -33 | -39 | -52 | -47 |
| TRX1 | 915 | -35 | -50 | | -29 | -52 | -54 | -55 | -53 | -49 | -54 | -49 | -46 | -43 | -34 | -39 | -50 |
| TRX1 | 1910 | -34 | -33 | | -22 | -42 | -43 | -43 | -42 | -38 | -42 | -41 | -39 | -36 | -27 | -31 | -41 |
| TRX1 | 2690 | -28 | -30 | | -19 | -38 | -39 | -38 | -38 | -34 | -37 | -37 | -35 | -32 | -24 | -27 | -37 |
| TRX2 | 915 | -35 | -55 | -37 | | -51 | -53 | -54 | -53 | -49 | -55 | -51 | -49 | -48 | -40 | -36 | -48 |
| TRX2 | 1910 | -34 | -34 | -29 | | -41 | -43 | -42 | -42 | -37 | -43 | -42 | -41 | -39 | -32 | -28 | -39 |
| TRX2 | 2690 | -28 | -31 | -26 | | -37 | -38 | -38 | -37 | -34 | -37 | -38 | -37 | -35 | -28 | -24 | -36 |
| TRX3 | 915 | -33 | -54 | -55 | -52 | | -29 | -37 | -42 | -45 | -57 | -58 | -59 | -58 | -57 | -48 | -36 |
| TRX3 | 1910 | -31 | -35 | -47 | -44 | | -23 | -31 | -35 | -34 | -44 | -46 | -48 | -46 | -47 | -39 | -29 |
| TRX3 | 2690 | -27 | -32 | -42 | -39 | | -20 | -28 | -32 | -31 | -38 | -41 | -43 | -41 | -41 | -35 | -25 |
| TRX4 | 915 | -32 | -51 | -55 | -52 | -34 | | -29 | -38 | -43 | -57 | -58 | -59 | -57 | -56 | -49 | -39 |
| TRX4 | 1910 | -31 | -35 | -46 | -43 | -28 | | -23 | -31 | -33 | -44 | -46 | -47 | -45 | -46 | -40 | -32 |
| TRX4 | 2690 | -27 | -32 | -41 | -38 | -25 | | -20 | -28 | -29 | -38 | -41 | -43 | -40 | -41 | -35 | -28 |
| TRX5 | 915 | -33 | -48 | -54 | -52 | -41 | -34 | | -29 | -36 | -56 | -57 | -57 | -55 | -55 | -50 | -46 |
| TRX5 | 1910 | -32 | -35 | -45 | -42 | -35 | -27 | | -22 | -28 | -44 | -46 | -47 | -45 | -45 | -40 | -38 |
| TRX5 | 2690 | -28 | -33 | -41 | -38 | -32 | -25 | | -19 | -24 | -38 | -41 | -42 | -40 | -41 | -36 | -35 |
| TRX6 | 915 | -34 | -46 | -53 | -51 | -45 | -41 | -33 | | -30 | -55 | -56 | -55 | -54 | -54 | -50 | -48 |
| TRX6 | 1910 | -35 | -35 | -44 | -42 | -38 | -34 | -26 | | -23 | -43 | -45 | -46 | -43 | -44 | -40 | -40 |
| TRX6 | 2690 | -30 | -34 | -40 | -37 | -34 | -31 | -23 | | -19 | -37 | -40 | -41 | -39 | -40 | -36 | -36 |
| TRX7 | 915 | -35 | -44 | -52 | -51 | -47 | -45 | -39 | -36 | | -53 | -54 | -54 | -52 | -52 | -51 | -49 |
| TRX7 | 1910 | -39 | -36 | -43 | -41 | -39 | -37 | -31 | -29 | | -41 | -44 | -44 | -42 | -43 | -40 | -40 |
| TRX7 | 2690 | -31 | -36 | -39 | -36 | -35 | -33 | -27 | -25 | | -36 | -39 | -40 | -38 | -39 | -35 | -36 |
| TRX8 | 915 | -34 | -42 | -46 | -47 | -54 | -55 | -56 | -54 | -49 | | -30 | -35 | -38 | -43 | -50 | -52 |
| TRX8 | 1910 | -46 | -35 | -39 | -39 | -44 | -44 | -44 | -43 | -37 | | -23 | -28 | -31 | -37 | -40 | -42 |
| TRX8 | 2690 | -32 | -34 | -36 | -35 | -39 | -39 | -40 | -39 | -34 | | -20 | -25 | -27 | -34 | -36 | -38 |
| TRX9 | 915 | -34 | -45 | -44 | -46 | -54 | -56 | -56 | -53 | -49 | -38 | | -28 | -35 | -41 | -50 | -52 |
| TRX9 | 1910 | -40 | -37 | -38 | -38 | -44 | -44 | -44 | -43 | -38 | -30 | | -22 | -28 | -35 | -40 | -43 |
| TRX9 | 2690 | -32 | -44 | -34 | -34 | -39 | -40 | -40 | -39 | -34 | -26 | | -19 | -25 | -32 | -36 | -38 |
| TRX10 | 915 | -34 | -46 | -42 | -45 | -54 | -56 | -55 | -53 | -49 | -40 | -33 | | -29 | -37 | -49 | -52 |
| TRX10 | 1910 | -37 | -35 | -36 | -37 | -44 | -44 | -44 | -43 | -38 | -32 | -27 | | -23 | -32 | -40 | -42 |
| TRX10 | 2690 | -31 | -34 | -33 | -33 | -39 | -40 | -39 | -39 | -34 | -28 | -24 | | -20 | -29 | -36 | -38 |

Table 8. SKY13492-21: Isolation Matrix: Isolation “On” Arms to “Off” Arms (2 of 2)

| “On” Arms | Freq (MHz) | Isolation (dB) | | | | | | | | | | | | | | | |
|-----------|------------|----------------|-----|------|------|------|------|------|------|------|------|------|-------|-------|-------|-------|-------|
| | | LTX | HTX | TRX1 | TRX2 | TRX3 | TRX4 | TRX5 | TRX6 | TRX7 | TRX8 | TRX9 | TRX10 | TRX11 | TRX12 | TRX13 | TRX14 |
| TRX11 | 915 | -34 | -47 | -38 | -42 | -54 | -55 | -55 | -53 | -49 | -43 | -39 | -34 | | -30 | -48 | -52 |
| TRX11 | 1910 | -35 | -33 | -32 | -35 | -44 | -44 | -44 | -43 | -38 | -34 | -32 | -28 | | -24 | -39 | -42 |
| TRX11 | 2690 | -30 | -30 | -29 | -32 | -39 | -39 | -39 | -38 | -34 | -30 | -28 | -25 | | -21 | -36 | -38 |
| TRX12 | 915 | -34 | -48 | -29 | -35 | -53 | -55 | -55 | -54 | -49 | -52 | -46 | -42 | -36 | | -40 | -51 |
| TRX12 | 1910 | -35 | -33 | -23 | -27 | -43 | -44 | -44 | -43 | -38 | -41 | -39 | -36 | -29 | | -31 | -41 |
| TRX12 | 2690 | -29 | -30 | -19 | -24 | -39 | -39 | -39 | -38 | -34 | -36 | -35 | -33 | -26 | | -27 | -38 |
| TRX13 | 915 | -48 | -72 | -58 | -54 | -31 | -37 | -44 | -49 | -53 | -65 | -65 | -64 | -63 | -61 | | -46 |
| TRX13 | 1910 | -47 | -63 | -55 | -51 | -28 | -33 | -40 | -46 | -50 | -63 | -62 | -61 | -60 | -58 | | -38 |
| TRX13 | 2690 | -45 | -54 | -55 | -53 | -27 | -31 | -38 | -44 | -48 | -60 | -60 | -59 | -59 | -57 | | -34 |
| TRX14 | 915 | -61 | -61 | -33 | -17 | -53 | -57 | -60 | -63 | -65 | -59 | -56 | -51 | -44 | -39 | -46 | |
| TRX14 | 1910 | -56 | -47 | -29 | -13 | -51 | -54 | -58 | -61 | -64 | -57 | -53 | -48 | -41 | -36 | -39 | |
| TRX14 | 2690 | -52 | -44 | -27 | -10 | -48 | -52 | -56 | -60 | -63 | -56 | -52 | -47 | -39 | -34 | -34 | |

Table 9. SKY13492-21 Isolation Matrix: Isolation “Ant” to “Off” Arms (1 of 2)
(V_{DD} = 2.85 V, T_{OP} = +25 °C, Characteristic Impedance [Z₀] = 50 Ω, Unless Otherwise Noted)

| “On” Arms | Freq (MHz) | Isolation (dB) | | | | | | | | | | | | | | | |
|-----------|------------|----------------|-----|------|------|------|------|------|------|------|------|------|-------|-------|-------|-------|-------|
| | | LTX | HTX | TRX1 | TRX2 | TRX3 | TRX4 | TRX5 | TRX6 | TRX7 | TRX8 | TRX9 | TRX10 | TRX11 | TRX12 | TRX13 | TRX14 |
| LTX | 915 | | -33 | -48 | -48 | -40 | -38 | -40 | -39 | -34 | -42 | -44 | -46 | -47 | -48 | -43 | -47 |
| LTX | 1910 | | -45 | -54 | -54 | -45 | -41 | -35 | -35 | -32 | -44 | -46 | -49 | -51 | -53 | -48 | -51 |
| LTX | 2690 | | -38 | -45 | -42 | -43 | -39 | -34 | -34 | -32 | -43 | -44 | -45 | -44 | -44 | -45 | -42 |
| HTX | 915 | -40 | | -50 | -49 | -46 | -45 | -43 | -42 | -38 | -42 | -47 | -49 | -43 | -46 | -48 | -47 |
| HTX | 1910 | -24 | | -42 | -40 | -39 | -38 | -36 | -35 | -32 | -32 | -37 | -38 | -36 | -39 | -40 | -39 |
| HTX | 2690 | -21 | | -39 | -36 | -36 | -34 | -33 | -32 | -31 | -29 | -34 | -35 | -36 | -39 | -38 | -36 |
| TRX1 | 915 | -38 | -35 | | -36 | -48 | -45 | -44 | -44 | -39 | -46 | -51 | -54 | -51 | -44 | -50 | -40 |
| TRX1 | 1910 | -34 | -31 | | -30 | -41 | -39 | -38 | -37 | -33 | -39 | -42 | -43 | -39 | -32 | -42 | -30 |
| TRX1 | 2690 | -28 | -32 | | -25 | -38 | -36 | -36 | -35 | -30 | -35 | -38 | -39 | -35 | -28 | -39 | -25 |
| TRX2 | 915 | -38 | -34 | -43 | | -48 | -46 | -45 | -44 | -39 | -46 | -50 | -53 | -50 | -45 | -52 | -42 |
| TRX2 | 1910 | -34 | -30 | -32 | | -41 | -39 | -39 | -38 | -33 | -39 | -42 | -43 | -39 | -35 | -43 | -31 |
| TRX2 | 2690 | -29 | -34 | -28 | | -38 | -36 | -36 | -35 | -29 | -35 | -38 | -40 | -35 | -31 | -39 | -26 |
| TRX3 | 915 | -36 | -36 | -49 | -49 | | -35 | -43 | -48 | -41 | -45 | -47 | -47 | -47 | -47 | -44 | -52 |
| TRX3 | 1910 | -32 | -32 | -41 | -38 | | -29 | -36 | -37 | -32 | -38 | -41 | -41 | -40 | -40 | -31 | -40 |
| TRX3 | 2690 | -27 | -36 | -38 | -35 | | -24 | -31 | -32 | -28 | -35 | -38 | -38 | -36 | -37 | -27 | -37 |
| TRX4 | 915 | -36 | -37 | -49 | -49 | -45 | | -33 | -43 | -41 | -45 | -47 | -47 | -47 | -48 | -46 | -51 |
| TRX4 | 1910 | -31 | -33 | -41 | -39 | -33 | | -28 | -35 | -32 | -38 | -41 | -41 | -40 | -41 | -34 | -40 |
| TRX4 | 2690 | -27 | -37 | -38 | -36 | -28 | | -24 | -30 | -28 | -35 | -38 | -38 | -36 | -37 | -30 | -36 |
| TRX5 | 915 | -38 | -37 | -50 | -49 | -50 | -42 | | -35 | -40 | -45 | -47 | -48 | -48 | -49 | -52 | -51 |
| TRX5 | 1910 | -32 | -33 | -42 | -40 | -39 | -33 | | -29 | -30 | -38 | -41 | -41 | -40 | -41 | -41 | -40 |
| TRX5 | 2690 | -27 | -40 | -39 | -36 | -35 | -29 | | -24 | -26 | -35 | -37 | -38 | -37 | -38 | -36 | -36 |

Table 9. SKY13492-21 Isolation Matrix: Isolation "Ant" to "Off" Arms (2 of 2)
 (V_{DD} = 2.85 V, T_{OP} = +25 °C, Characteristic Impedance [Z₀] = 50 Ω, Unless Otherwise Noted)

| "On" Arms | Freq (MHz) | Isolation (dB) | | | | | | | | | | | | | | | |
|-----------|------------|----------------|-----|------|------|------|------|------|------|------|------|------|-------|-------|-------|-------|-------|
| | | LTX | HTX | TRX1 | TRX2 | TRX3 | TRX4 | TRX5 | TRX6 | TRX7 | TRX8 | TRX9 | TRX10 | TRX11 | TRX12 | TRX13 | TRX14 |
| TRX6 | 915 | -40 | -38 | -50 | -49 | -52 | -50 | -44 | | -37 | -46 | -48 | -48 | -48 | -50 | -51 | -51 |
| TRX6 | 1910 | -34 | -34 | -42 | -40 | -41 | -39 | -32 | | -28 | -39 | -41 | -41 | -41 | -42 | -41 | -40 |
| TRX6 | 2690 | -28 | -43 | -39 | -36 | -37 | -34 | -28 | | -22 | -35 | -37 | -38 | -37 | -38 | -37 | -36 |
| TRX7 | 915 | -43 | -39 | -51 | -50 | -51 | -51 | -45 | -42 | | -47 | -49 | -49 | -49 | -50 | -51 | -50 |
| TRX7 | 1910 | -37 | -34 | -42 | -40 | -41 | -39 | -34 | -31 | | -39 | -41 | -42 | -41 | -42 | -41 | -40 |
| TRX7 | 2690 | -29 | -45 | -38 | -36 | -36 | -35 | -30 | -27 | | -34 | -37 | -38 | -37 | -38 | -36 | -35 |
| TRX8 | 915 | -40 | -33 | -57 | -53 | -47 | -45 | -43 | -43 | -39 | | -36 | -45 | -49 | -54 | -49 | -50 |
| TRX8 | 1910 | -37 | -28 | -45 | -42 | -40 | -38 | -37 | -36 | -32 | | -31 | -37 | -37 | -44 | -41 | -39 |
| TRX8 | 2690 | -28 | -27 | -40 | -37 | -36 | -35 | -34 | -33 | -30 | | -26 | -31 | -31 | -39 | -37 | -35 |
| TRX9 | 915 | -39 | -35 | -55 | -53 | -47 | -45 | -43 | -43 | -39 | -41 | | -34 | -45 | -49 | -49 | -50 |
| TRX9 | 1910 | -36 | -32 | -45 | -42 | -40 | -38 | -37 | -36 | -32 | -31 | | -29 | -36 | -42 | -41 | -39 |
| TRX9 | 2690 | -29 | -37 | -39 | -37 | -37 | -35 | -34 | -34 | -30 | -26 | | -24 | -31 | -37 | -37 | -35 |
| TRX10 | 915 | -39 | -36 | -50 | -53 | -47 | -45 | -43 | -43 | -39 | -43 | -45 | | -35 | -43 | -49 | -50 |
| TRX10 | 1910 | -35 | -32 | -43 | -42 | -40 | -38 | -37 | -36 | -32 | -33 | -33 | | -30 | -38 | -41 | -39 |
| TRX10 | 2690 | -29 | -41 | -38 | -38 | -37 | -35 | -34 | -34 | -30 | -29 | -29 | | -26 | -34 | -38 | -34 |
| TRX11 | 915 | -38 | -35 | -43 | -50 | -47 | -45 | -43 | -43 | -39 | -42 | -47 | -46 | | -34 | -49 | -49 |
| TRX11 | 1910 | -35 | -32 | -38 | -42 | -40 | -38 | -37 | -37 | -32 | -33 | -36 | -35 | | -29 | -41 | -39 |
| TRX11 | 2690 | -29 | -36 | -34 | -37 | -37 | -35 | -34 | -34 | -30 | -29 | -32 | -30 | | -25 | -38 | -34 |
| TRX12 | 915 | -38 | -35 | -35 | -45 | -47 | -45 | -44 | -43 | -39 | -47 | -53 | -51 | -44 | | -49 | -41 |
| TRX12 | 1910 | -34 | -32 | -30 | -34 | -40 | -38 | -38 | -37 | -33 | -39 | -42 | -42 | -35 | | -42 | -31 |
| TRX12 | 2690 | -28 | -32 | -25 | -29 | -37 | -36 | -35 | -35 | -30 | -35 | -38 | -37 | -31 | | -38 | -26 |
| TRX13 | 915 | -37 | -33 | -46 | -44 | -50 | -46 | -45 | -44 | -39 | -46 | -49 | -51 | -49 | -44 | | -49 |
| TRX13 | 1910 | -34 | -29 | -36 | -33 | -42 | -39 | -39 | -38 | -33 | -39 | -41 | -42 | -39 | -35 | | -42 |
| TRX13 | 2690 | -29 | -33 | -31 | -28 | -38 | -36 | -35 | -34 | -29 | -35 | -38 | -39 | -35 | -30 | | -38 |
| TRX14 | 915 | -37 | -36 | -49 | -49 | -35 | -45 | -49 | -48 | -40 | -45 | -47 | -47 | -46 | -47 | -41 | |
| TRX14 | 1910 | -33 | -32 | -40 | -37 | -29 | -35 | -39 | -38 | -32 | -38 | -41 | -41 | -39 | -40 | -31 | |
| TRX14 | 2690 | -28 | -35 | -37 | -34 | -24 | -29 | -34 | -33 | -28 | -35 | -38 | -38 | -36 | -37 | -26 | |

Table 10. SKY13492-21: Insertion loss and Return loss Matrix (1 of 2)
(V_{DD} = 2.85 V, T_{OP}=+25 °C, Characteristic Impedance [Z₀]=50 Ω, Unless Otherwise Noted)

| ON_Throw | freq_MHz | IL | RL_Pole | RL_Throw |
|----------|----------|-------|---------|----------|
| TXLB | 915 | -1.4 | -13.7 | -15.2 |
| TXLB | 1910 | -23.6 | -1.5 | -0.2 |
| TXLB | 2690 | -25.2 | -2.2 | -0.6 |
| TXHB | 915 | -0.8 | -30.3 | -19.1 |
| TXHB | 1910 | -1.3 | -16.7 | -17.0 |
| TXHB | 2690 | -9.2 | -3.3 | -1.6 |
| TRX1 | 915 | -0.6 | -24.3 | -22.2 |
| TRX1 | 1910 | -0.7 | -20.7 | -23.4 |
| TRX1 | 2690 | -0.9 | -22.3 | -16.8 |
| TRX2 | 915 | -0.6 | -22.3 | -20.7 |
| TRX2 | 1910 | -0.7 | -23.3 | -26.9 |
| TRX2 | 2690 | -0.9 | -20.5 | -16.4 |
| TRX3 | 915 | -0.6 | -22.2 | -21.1 |
| TRX3 | 1910 | -0.7 | -22.6 | -24.8 |
| TRX3 | 2690 | -0.9 | -22.4 | -17.1 |
| TRX4 | 915 | -0.6 | -23.3 | -22.7 |
| TRX4 | 1910 | -0.7 | -20.3 | -22.4 |
| TRX4 | 2690 | -0.9 | -26.7 | -18.7 |
| TRX5 | 915 | -0.6 | -26.7 | -26.1 |
| TRX5 | 1910 | -0.7 | -17.8 | -20.1 |
| TRX5 | 2690 | -0.8 | -33.9 | -22.2 |
| TRX6 | 915 | -0.6 | -26.8 | -27.5 |
| TRX6 | 1910 | -0.7 | -16.0 | -17.7 |
| TRX6 | 2690 | -0.9 | -22.6 | -22.4 |
| TRX7 | 915 | -0.6 | -27.3 | -26.9 |
| TRX7 | 1910 | -0.8 | -13.9 | -15.3 |
| TRX7 | 2690 | -1.0 | -15.6 | -17.0 |
| TRX8 | 915 | -0.6 | -27.1 | -24.0 |
| TRX8 | 1910 | -0.7 | -17.5 | -20.0 |
| TRX8 | 2690 | -0.9 | -32.8 | -22.4 |
| TRX9 | 915 | -0.6 | -27.3 | -24.3 |
| TRX9 | 1910 | -0.7 | -17.3 | -19.2 |
| TRX9 | 2690 | -0.9 | -30.1 | -21.3 |
| TRX10 | 915 | -0.6 | -26.8 | -24.6 |
| TRX10 | 1910 | -0.7 | -17.6 | -19.8 |
| TRX10 | 2690 | -0.9 | -26.0 | -19.8 |

Table 10. SKY13492-21: Insertion loss and Return loss Matrix (2 of 2)
(V_{DD} = 2.85 V, T_{OP}=+25 °C, Characteristic Impedance [Z₀]=50 Ω, Unless Otherwise Noted)

| ON_Throw | freq_MHz | IL | RL_Pole | RL_Throw |
|----------|----------|------|---------|----------|
| TRX11 | 915 | -0.6 | -26.7 | -24.5 |
| TRX11 | 1910 | -0.7 | -18.5 | -21.1 |
| TRX11 | 2690 | -0.9 | -28.1 | -20.4 |
| TRX12 | 915 | -0.6 | -24.9 | -23.2 |
| TRX12 | 1910 | -0.7 | -19.8 | -22.6 |
| TRX12 | 2690 | -0.9 | -24.4 | -18.2 |
| TRX13 | 915 | -0.6 | -20.7 | -21.0 |
| TRX13 | 1910 | -0.7 | -24.4 | -26.3 |
| TRX13 | 2690 | -0.9 | -19.9 | -16.7 |
| TRX14 | 915 | -0.6 | -20.5 | -20.1 |
| TRX14 | 1910 | -0.7 | -24.9 | -31.5 |
| TRX14 | 2690 | -0.9 | -20.0 | -17.2 |

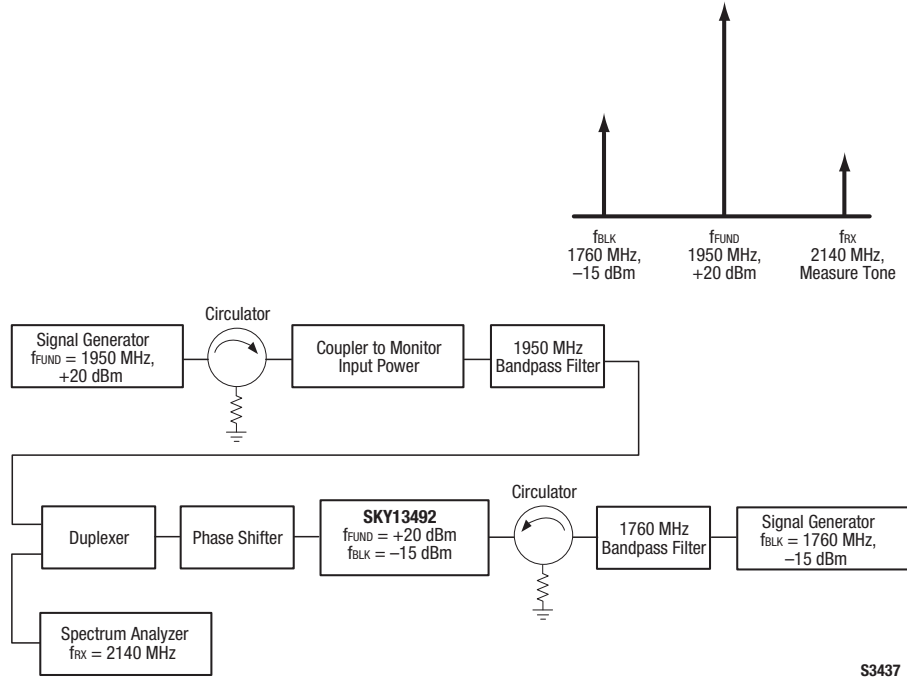


Figure 4. Third Order Intermodulation Test Setup

Table 11. Command Sequence Bit Definitions

| Type | SSC | C11–C8 | C7 | C6–C5 | C4 | C3–C0 | Parity Bits | BPC | Extended Operation | | | | | |
|------------|-----|---------|----|-----------|---------|-----------|-------------|-----|--------------------|-------------|-----|---------------|-------------|-----|
| | | | | | | | | | DA7(1)–DA0(1) | Parity Bits | BPC | DA7(n)–DA0(n) | Parity Bits | BPC |
| Reg0 Write | Y | SA[3:0] | 1 | Data[6:5] | Data[4] | Data[3:0] | Y | Y | – | – | – | – | – | – |
| Reg Write | Y | SA[3:0] | 0 | 10 | Addr[4] | Addr[3:0] | Y | – | Data[7:0] | – | – | – | Y | Y |
| Reg Read | Y | SA[3:0] | 0 | 11 | Addr[4] | Addr[3:0] | Y | Y | Data[7:0] | – | – | – | Y | Y |

Legend:

SSC = Sequence start command
C = Command frame bits

DA = Data/address frame bits
BPC = Bus park cycle

BC = Byte count (# of consecutive addresses)

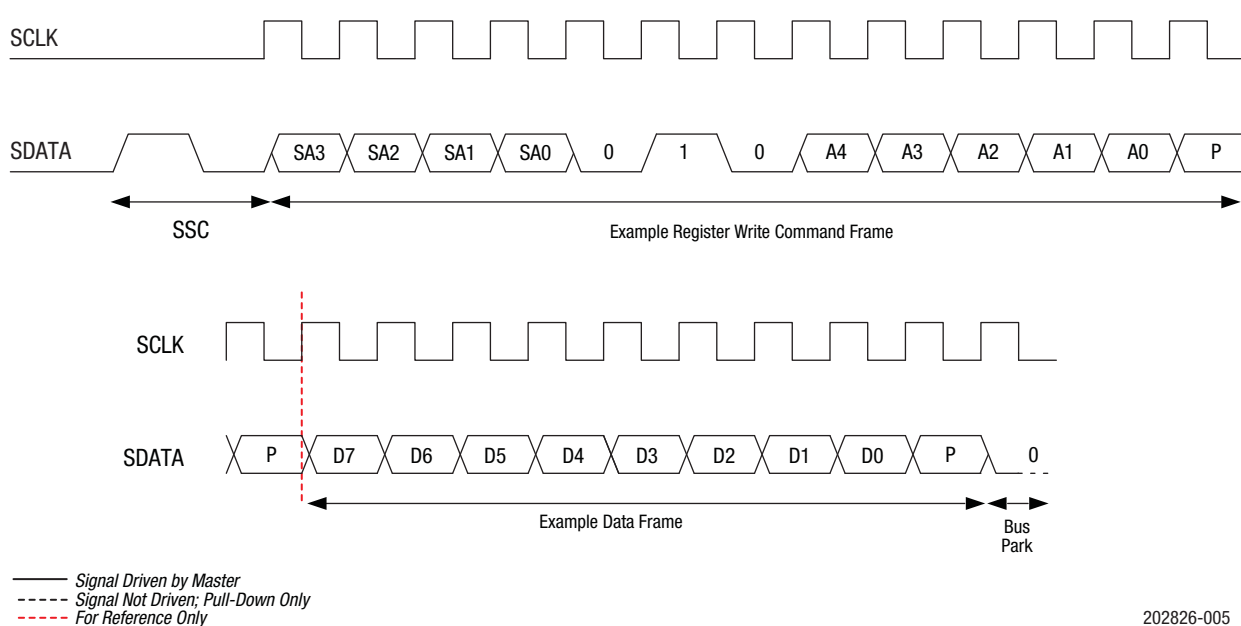


Figure 5. Register Write Command Timing Diagram

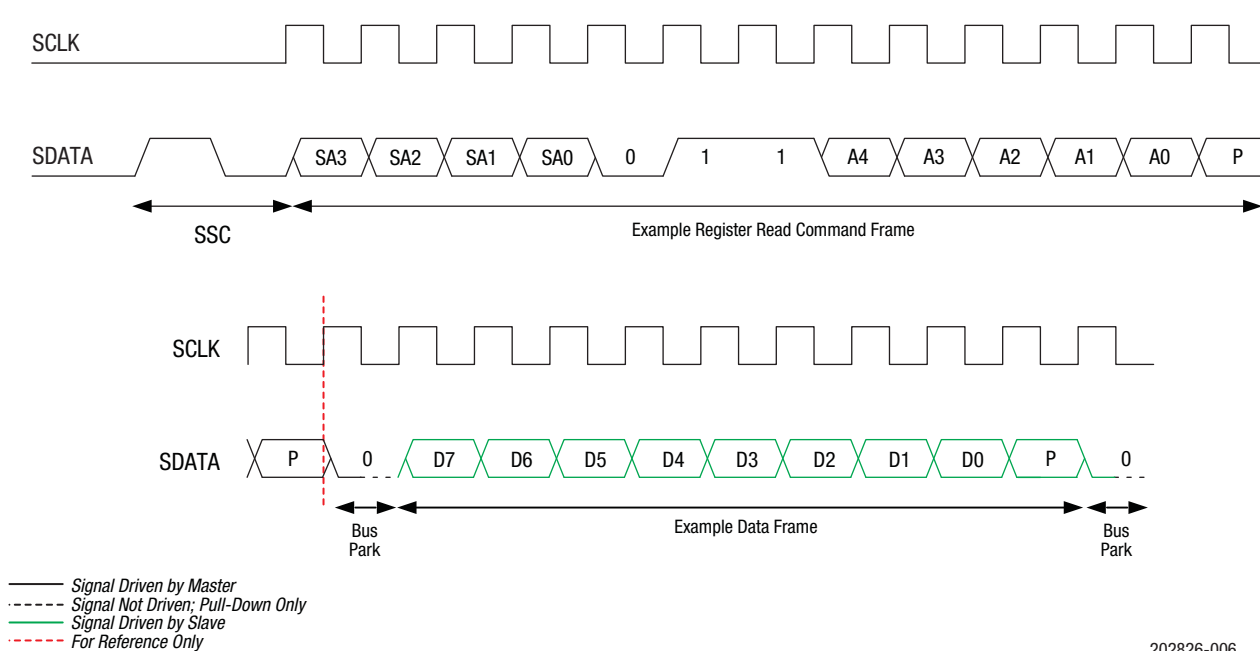


Figure 6. Register Read Command Timing Diagram

Table 12. Register_0 Truth Table

| Antenna Path | Register_0 Bits | | | | | | | |
|--------------------------|-----------------|--------|--------|--------|--------|--------|--------|--------|
| | Bit[7] | Bit[6] | Bit[5] | Bit[4] | Bit[3] | Bit[2] | Bit[1] | Bit[0] |
| Sleep mode (standby) | X | 0 | 0 | 0 | 0 | 0 | 0 | 0 |
| 2G transmit low band | X | 0 | 0 | 0 | 1 | 0 | 1 | 0 |
| 2G transmit high band | X | 0 | 0 | 0 | 1 | 0 | 0 | 0 |
| TRX1 | X | 0 | 0 | 0 | 0 | 1 | 0 | 0 |
| TRX2 | X | 0 | 0 | 0 | 0 | 1 | 0 | 1 |
| TRX3 | X | 0 | 0 | 0 | 0 | 1 | 1 | 0 |
| TRX4 | X | 0 | 0 | 0 | 0 | 1 | 1 | 1 |
| TRX5 | X | 0 | 0 | 0 | 1 | 0 | 0 | 1 |
| TRX6 | X | 0 | 0 | 0 | 1 | 0 | 1 | 1 |
| TRX7 | X | 0 | 0 | 0 | 1 | 1 | 0 | 0 |
| TRX8 | X | 0 | 0 | 0 | 0 | 0 | 0 | 1 |
| TRX9 | X | 0 | 0 | 0 | 0 | 0 | 1 | 0 |
| TRX10 | X | 0 | 0 | 0 | 0 | 0 | 1 | 1 |
| TRX11 | X | 0 | 0 | 0 | 1 | 1 | 0 | 1 |
| TRX12 | X | 0 | 0 | 0 | 1 | 1 | 1 | 0 |
| TRX13 | X | 0 | 0 | 1 | 0 | 0 | 0 | 0 |
| TRX14 | X | 0 | 0 | 1 | 0 | 0 | 0 | 1 |
| Isolation mode (warm-up) | X | 1 | 1 | 1 | 1 | 1 | 1 | 1 |

Table 13. Register Description and Programming (1 of 2)

| Register | | Parameter | Description | Default (Binary) |
|-------------|---------------|--------------------------|--|------------------|
| Name | Address (Hex) | | | |
| Register_0 | 0000 | MODE_CTRL | Bits[7:0]: Switch control. See Table 8 for logic | – |
| RFFE_STATUS | 001A | SOFTWARE RESET | Bit[7]: Resets all data to default values except for USID, GSID, or the contents of the PM_TRIG Register. 0 = Normal operation 1 = Software reset | 0 |
| | | COMMAND_FRAME_PARITY_ERR | Bit[6]: Command sequence received with parity error – discard command. | 0 |
| | | COMMAND_LENGTH_ERR | Bit[5]: Command length error. | 0 |
| | | ADDRESS_FRAME_PARITY_ERR | Bit[4]: Address frame parity error = 1. | 0 |
| | | DATA_FRAME_PARITY_ERR | Bit[3]: Data frame with parity error. | 0 |
| | | READ_UNUSED_REG | Bit[2]: Read command to an invalid address. | 0 |
| | | WRITE_UNUSED_REG | Bit[1]: Write command to an invalid address. | 0 |
| | | BID_GID_ERR | Bit[0]: Read command with a BROADCAST_ID (refer to the <i>MIPI Alliance Specification</i>) or GSID. | 0 |
| GROUP_SID | 001B | Reserved | Bits[7:4]: Reserved | 0000 |
| | | GSID | Bits[3:0]: Group slave ID | 0000 |

Table 13. Register Description and Programming (2 of 2)

| Register | | Parameter | Description | Default (Binary) |
|----------------------|---------------|-----------------|---|------------------|
| Name | Address (Hex) | | | |
| PM_TRIG ¹ | 001C | PWR_MODE | Bits[7:6]: 00 = Normal operation (active) 01 = Default settings (startup) 10 = Low power (low power) 11 = Reserved | 01 |
| | | Trigger_Mask_2 | Bit[5]: If this bit is set, trigger 2 is disabled. When all triggers are disabled, if writing to a register that is associated with trigger 2, the data goes directly to the destination register. | 0 |
| | | Trigger_Mask_1 | Bit[4]: If this bit is set, trigger 1 is disabled. When all triggers are disabled, if writing to a register that is associated with trigger 1, the data goes directly to the destination register. | 0 |
| | | Trigger_Mask_0 | Bit[3]: If this bit is set, trigger 0 is disabled. When all triggers are disabled, if writing to a register that is associated with trigger 0, the data goes directly to the destination register. | 0 |
| | | Trigger_2 | Bit[2]: If this bit is set, data is loaded into the trigger 2 registers. | 0 |
| | | Trigger_1 | Bit[1]: If this bit is set, data is loaded into the trigger 1 registers (unsupported). | 0 |
| | | Trigger_0 | Bit[0]: If this bit is set, data is loaded into the trigger 0 registers (unsupported). | 0 |
| PRODUCT_ID | 001D | PRODUCT_ID | Bits[7:0]: This is a read-only register. However, during the programming of the Unique Slave Identifier (USID), a write command sequence is performed on this register but the value is not changed. | 01011101 |
| MANUFACTURER_ID | 001E | MANUFACTURER_ID | Bits[7:0]: Read-only register | 10100101 |
| MAN_USID | 001F | Reserved | Bits[7:6]: Reserved | 00 |
| | | MANUFACTURER_ID | Bits[5:4]: Read-only register | 01 |
| | | USID | Bits[3:0]: Programmable USID. A write to these bits programs the USID. | 1011 |

¹ Unlike the complete independence between triggers 0, 1, and 2, and also between the associated trigger masks 0, 1, and 2, respectively (as described in the MIPI RFFE Specification), when pin 7 is grounded, this device uses additional interactions between the provided trigger functions.

The delayed application of updated data to all triggerable registers in this device may be accomplished using any of the three triggers (0, 1, or 2), provided that the particular trigger used is not currently masked off. If multiple triggers are enabled, any or all of those are sufficient to cause the data to be transferred from shadow registers to destination registers for all triggerable registers in the device.

It is also necessary to disable all three triggers (i.e., set all three trigger masks) to ensure that data written to any triggerable register will immediately be written to the destination register at the conclusion of the RFFE command sequence where the data is written.

Evaluation Board Description

The SKY13492-21 Evaluation Board is used to test the performance of the SKY13492-21 SP16T Switch. An Evaluation Board schematic diagram is provided in Figure 7. A recommended ESD protection circuit diagram is provided in Figure 8. An assembly drawing for the Evaluation Board is shown in Figure 9.

Package Dimensions

The PCB layout footprint for the SKY13492-21 is provided in Figure 10. Typical part markings are shown in Figure 11. Package dimensions are shown in Figure 12, and tape and reel dimensions are provided in Figure 13.

Package and Handling Information

Since the device package is sensitive to moisture absorption, it is baked and vacuum packed before shipping. Instructions on the shipping container label regarding exposure to moisture after the container seal is broken must be followed. Otherwise, problems related to moisture absorption may occur when the part is subjected to high temperature during solder assembly.

The SKY13492-21 is rated to Moisture Sensitivity Level 3 (MSL3) at 260 °C. It can be used for lead or lead-free soldering. For additional information, refer to the Skyworks Application Note, *PCB Design and SMT Assembly/Rework Guidelines for MCM-L Packages*, document number 101752.

Care must be taken when attaching this product, whether it is done manually or in a production solder reflow environment. Production quantities of this product are shipped in a standard tape and reel format.

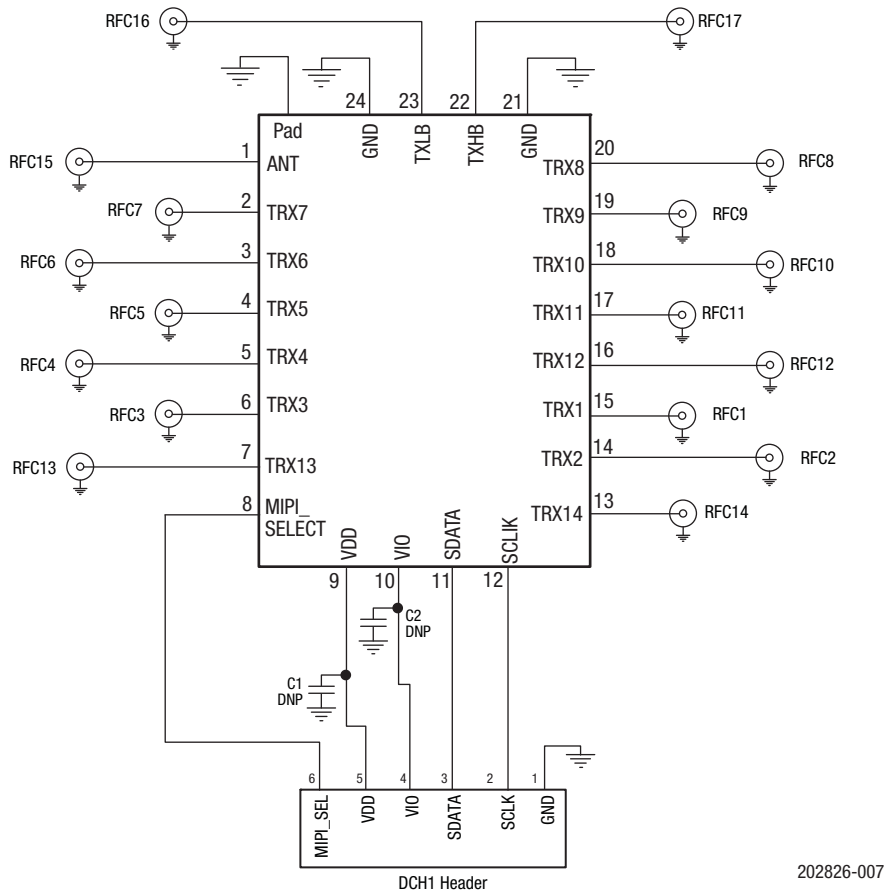
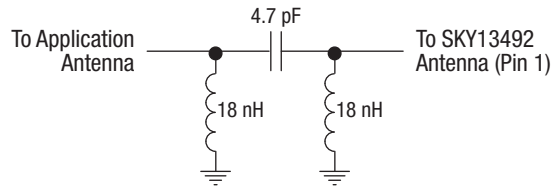
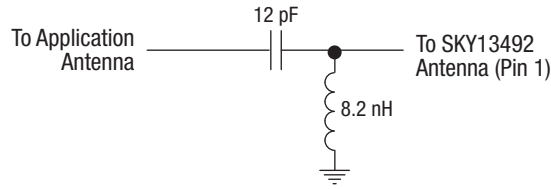


Figure 7. SKY13492-21 Evaluation Board Schematic



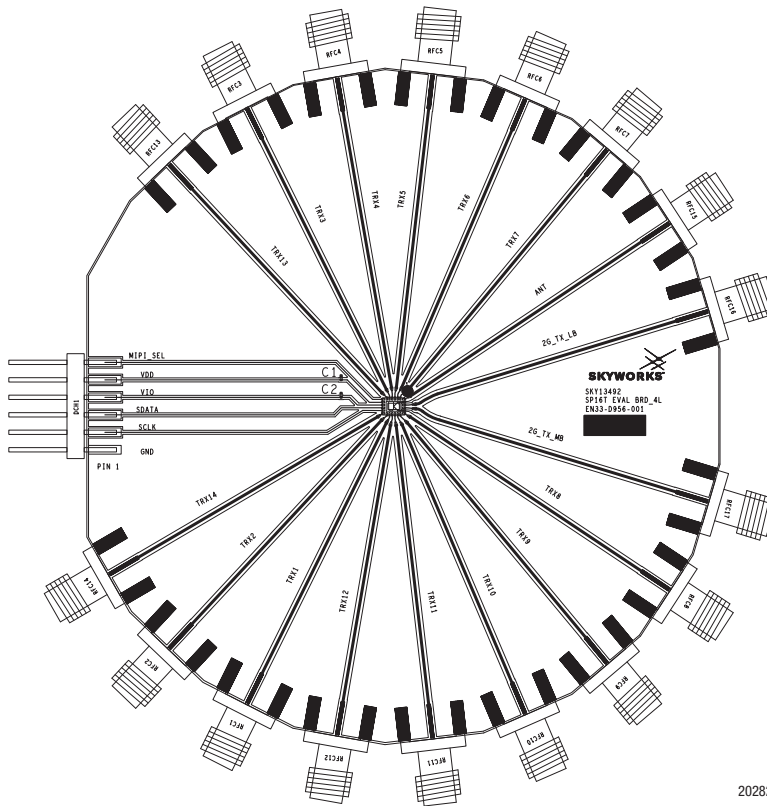
ESD Circuit 1



ESD Circuit 2

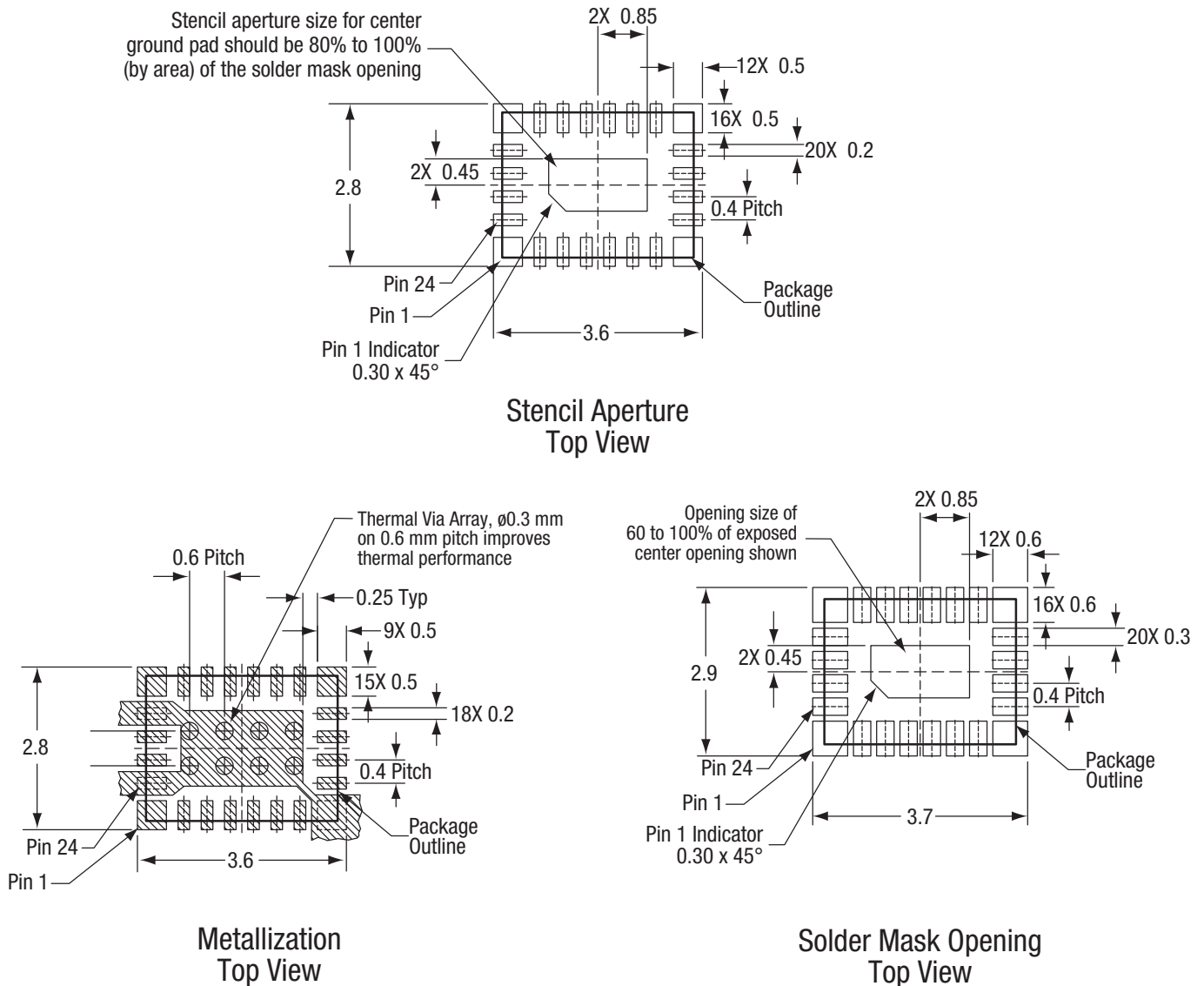
202826-008

Figure 8. SKY13492-21 Recommended ESD Protection Circuits



202826-009

Figure 9. SKY13492-21 Evaluation Board Assembly Diagram



Notes:

1. All dimensions are in millimeters.
2. Thermal vias should be resin filled and capped according to IPC-4761, Type VII vias. Recommended Cu thickness is 30 to 35 μm .

202826-010

Figure 10. SKY13492-21 PCB Layout Footprint (Top View)

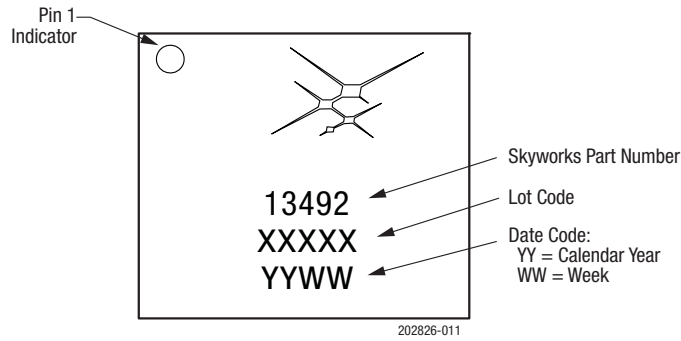
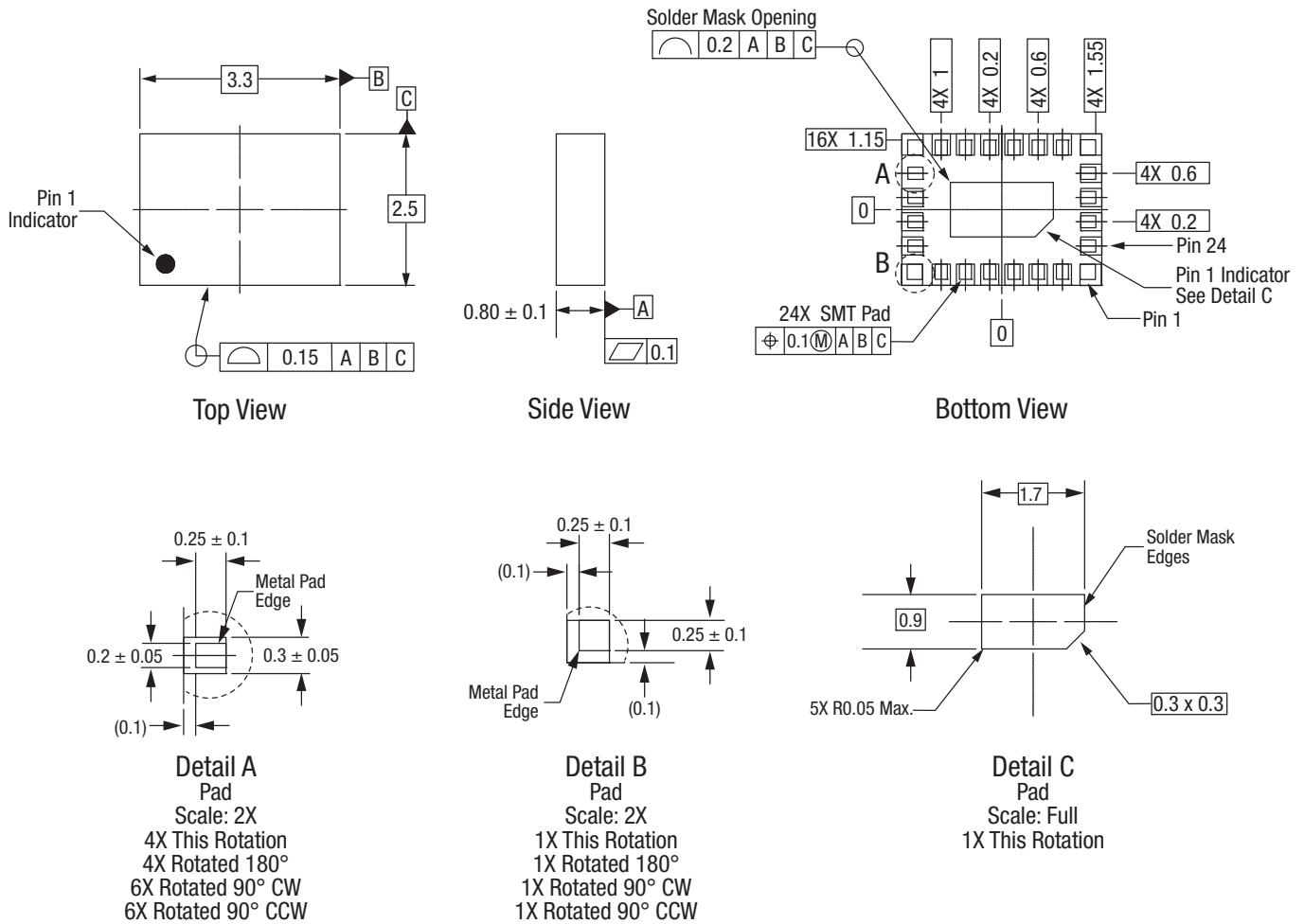


Figure 11. Typical Part Markings (Top View)

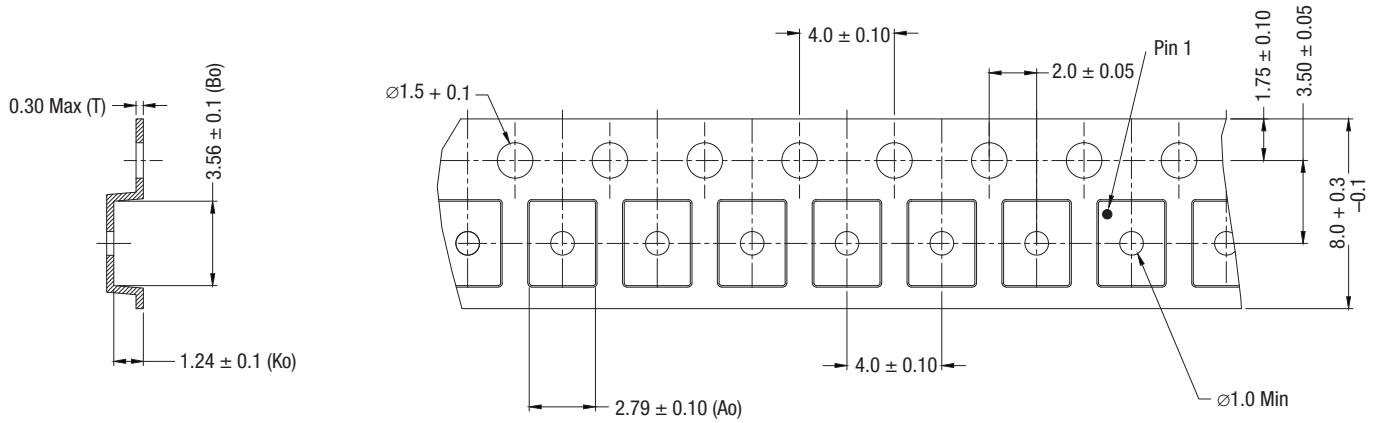


Notes:

1. All measurements are in millimeters.
2. Dimensions and tolerances according to ASME Y14.5M-1994.

202826-012

Figure 12. SKY13492-21 Package Dimensions



Notes:

1. Carrier tape must meet all requirements of Skyworks GP01-D233 procurement spec for tape and reel shipping.
2. Carrier tape: black conductive polycarbonate or polystyrene.
3. Cover tape material: transparent conductive.
4. ESD-surface resistivity shall be $\leq 1 \times 10^{10} \Omega/\text{square}$ per EIA, JEDEC TNR Specification.
5. 10-sprocket hole pitch cumulative tolerance: ± 0.20 mm.
6. All dimensions are in millimeters.

User Feed
Direction →

202826-013

Figure 13. SKY13492-21 Tape and Reel Dimensions

Ordering Information

| Model Name | Manufacturing Part Number | Evaluation Board Part Number |
|--|---------------------------|------------------------------|
| SKY13492-21: 0.7 to 2.7 GHz SP16T Antenna Switch with MIPI Interface | SKY13492-21 | SKY13492-21-EVB |

Copyright © 2013-2016 Skyworks Solutions, Inc. All Rights Reserved.

Information in this document is provided in connection with Skyworks Solutions, Inc. ("Skyworks") products or services. These materials, including the information contained herein, are provided by Skyworks as a service to its customers and may be used for informational purposes only by the customer. Skyworks assumes no responsibility for errors or omissions in these materials or the information contained herein. Skyworks may change its documentation, products, services, specifications or product descriptions at any time, without notice. Skyworks makes no commitment to update the materials or information and shall have no responsibility whatsoever for conflicts, incompatibilities, or other difficulties arising from any future changes.

No license, whether express, implied, by estoppel or otherwise, is granted to any intellectual property rights by this document. Skyworks assumes no liability for any materials, products or information provided hereunder, including the sale, distribution, reproduction or use of Skyworks products, information or materials, except as may be provided in Skyworks Terms and Conditions of Sale.

THE MATERIALS, PRODUCTS AND INFORMATION ARE PROVIDED "AS IS" WITHOUT WARRANTY OF ANY KIND, WHETHER EXPRESS, IMPLIED, STATUTORY, OR OTHERWISE, INCLUDING FITNESS FOR A PARTICULAR PURPOSE OR USE, MERCHANTABILITY, PERFORMANCE, QUALITY OR NON-INFRINGEMENT OF ANY INTELLECTUAL PROPERTY RIGHT; ALL SUCH WARRANTIES ARE HEREBY EXPRESSLY DISCLAIMED. SKYWORKS DOES NOT WARRANT THE ACCURACY OR COMPLETENESS OF THE INFORMATION, TEXT, GRAPHICS OR OTHER ITEMS CONTAINED WITHIN THESE MATERIALS. SKYWORKS SHALL NOT BE LIABLE FOR ANY DAMAGES, INCLUDING BUT NOT LIMITED TO ANY SPECIAL, INDIRECT, INCIDENTAL, STATUTORY, OR CONSEQUENTIAL DAMAGES, INCLUDING WITHOUT LIMITATION, LOST REVENUES OR LOST PROFITS THAT MAY RESULT FROM THE USE OF THE MATERIALS OR INFORMATION, WHETHER OR NOT THE RECIPIENT OF MATERIALS HAS BEEN ADVISED OF THE POSSIBILITY OF SUCH DAMAGE.

Skyworks products are not intended for use in medical, lifesaving or life-sustaining applications, or other equipment in which the failure of the Skyworks products could lead to personal injury, death, physical or environmental damage. Skyworks customers using or selling Skyworks products for use in such applications do so at their own risk and agree to fully indemnify Skyworks for any damages resulting from such improper use or sale.

Customers are responsible for their products and applications using Skyworks products, which may deviate from published specifications as a result of design defects, errors, or operation of products outside of published parameters or design specifications. Customers should include design and operating safeguards to minimize these and other risks. Skyworks assumes no liability for applications assistance, customer product design, or damage to any equipment resulting from the use of Skyworks products outside of stated published specifications or parameters.

Skyworks and the Skyworks symbol are trademarks or registered trademarks of Skyworks Solutions, Inc., in the United States and other countries. Third-party brands and names are for identification purposes only, and are the property of their respective owners. Additional information, including relevant terms and conditions, posted at www.skyworksinc.com, are incorporated by reference.



Компания «ЭлектроПласт» предлагает заключение долгосрочных отношений при поставках импортных электронных компонентов на взаимовыгодных условиях!

Наши преимущества:

- Оперативные поставки широкого спектра электронных компонентов отечественного и импортного производства напрямую от производителей и с крупнейших мировых складов;
- Поставка более 17-ти миллионов наименований электронных компонентов;
- Поставка сложных, дефицитных, либо снятых с производства позиций;
- Оперативные сроки поставки под заказ (от 5 рабочих дней);
- Экспресс доставка в любую точку России;
- Техническая поддержка проекта, помощь в подборе аналогов, поставка прототипов;
- Система менеджмента качества сертифицирована по Международному стандарту ISO 9001;
- Лицензия ФСБ на осуществление работ с использованием сведений, составляющих государственную тайну;
- Поставка специализированных компонентов (Xilinx, Altera, Analog Devices, Intersil, Interpoint, Microsemi, Aeroflex, Peregrine, Syfer, Eurofarad, Texas Instrument, Miteq, Cobham, E2V, MA-COM, Hittite, Mini-Circuits, General Dynamics и др.);

Помимо этого, одним из направлений компании «ЭлектроПласт» является направление «Источники питания». Мы предлагаем Вам помощь Конструкторского отдела:

- Подбор оптимального решения, техническое обоснование при выборе компонента;
- Подбор аналогов;
- Консультации по применению компонента;
- Поставка образцов и прототипов;
- Техническая поддержка проекта;
- Защита от снятия компонента с производства.



Как с нами связаться

Телефон: 8 (812) 309 58 32 (многоканальный)

Факс: 8 (812) 320-02-42

Электронная почта: org@eplast1.ru

Адрес: 198099, г. Санкт-Петербург, ул. Калинина, дом 2, корпус 4, литера А.