

# TDA8932B

## Class-D audio amplifier

Rev. 04 — 18 December 2008

Product data sheet

## 1. General description

---

The TDA8932B is a high efficiency class-D amplifier with low power dissipation.

The continuous time output power is  $2 \times 15 \text{ W}$  in stereo half-bridge application ( $R_L = 4 \Omega$ ) or  $1 \times 30 \text{ W}$  in mono full-bridge application ( $R_L = 8 \Omega$ ). Due to the low power dissipation the device can be used without any external heat sink when playing music. Due to the implementation of thermal foldback, even for high supply voltages and/or lower load impedances, the device continues to operate with considerable music output power without the need for an external heat sink.

The device has two full-differential inputs driving two independent outputs. It can be used in a mono full-bridge configuration (BTL) or in a stereo half-bridge configuration (SE).

## 2. Features

---

- Operating voltage from 10 V to 36 V asymmetrical or  $\pm 5 \text{ V}$  to  $\pm 18 \text{ V}$  symmetrical
- Mono-bridged tied load (full-bridge) or stereo single-ended (half-bridge) application
- Application without heat sink using thermally enhanced small outline package
- High efficiency and low-power dissipation
- Thermally protected and thermal foldback
- Current limiting to avoid audio holes
- Full short-circuit proof across load and to supply lines (using advanced current protection)
- Switchable internal or external oscillator (master-slave setting)
- No pop noise
- Full-differential inputs

## 3. Applications

---

- Flat panel television sets
- Flat panel monitor sets
- Multimedia systems
- Wireless speakers
- Mini and micro systems
- Home sound sets

## 4. Quick reference data

**Table 1. Quick reference data**

$V_P = 22\text{ V}$ ;  $f_{osc} = 320\text{ kHz}$ ;  $T_{amb} = 25\text{ °C}$ ; unless otherwise specified.

Symbol	Parameter	Conditions	Min	Typ	Max	Unit
<b>Supplies</b>						
$V_P$	supply voltage	asymmetrical supply	10	22	36	V
$I_P$	supply current	Sleep mode	-	145	195	$\mu\text{A}$
$I_{Q(\text{tot})}$	total quiescent current	Operating mode; no load, no snubbers and no filter connected	-	40	50	mA
<b>Stereo SE channel; <math>R_s &lt; 0.1\ \Omega</math> [1]</b>						
$P_{o(\text{RMS})}$	RMS output power	continuous time output power per channel; THD+N = 10 %; $f_i = 1\text{ kHz}$				
		$R_L = 4\ \Omega$ ; $V_P = 22\text{ V}$	13.8	15.3	-	W
		$R_L = 8\ \Omega$ ; $V_P = 30\text{ V}$	14.0	15.5	-	W
		short time output power per channel; THD+N = 10 %; $f_i = 1\text{ kHz}$				
		$R_L = 4\ \Omega$ ; $V_P = 29\text{ V}$	23.8	26.5	-	W
<b>Mono BTL; <math>R_s &lt; 0.1\ \Omega</math> [1]</b>						
$P_{o(\text{RMS})}$	RMS output power	continuous time output power; THD+N = 10 %; $f_i = 1\text{ kHz}$				
		$R_L = 4\ \Omega$ ; $V_P = 12\text{ V}$	15.5	17.2	-	W
		$R_L = 8\ \Omega$ ; $V_P = 22\text{ V}$	28.9	32.1	-	W
		short time output power; THD+N = 10 %; $f_i = 1\text{ kHz}$				
		$R_L = 8\ \Omega$ ; $V_P = 29\text{ V}$	49.5	55.0	-	W

[1] Output power is measured indirectly; based on  $R_{DSon}$  measurement.

[2] Two layer application board (55 mm × 45 mm), 35  $\mu\text{m}$  copper, FR4 base material in free air with natural convection.

## 5. Ordering information

**Table 2. Ordering information**

Type number	Package		Version
	Name	Description	
TDA8932BT	SO32	plastic small outline package; 32 leads; body width 7.5 mm	SOT287-1
TDA8932BTW	HTSSOP32	plastic thermal enhanced thin shrink small outline package; 32 leads; body width 6.1 mm; lead pitch 0.65 mm; exposed die pad	SOT549-1

6. Block diagram

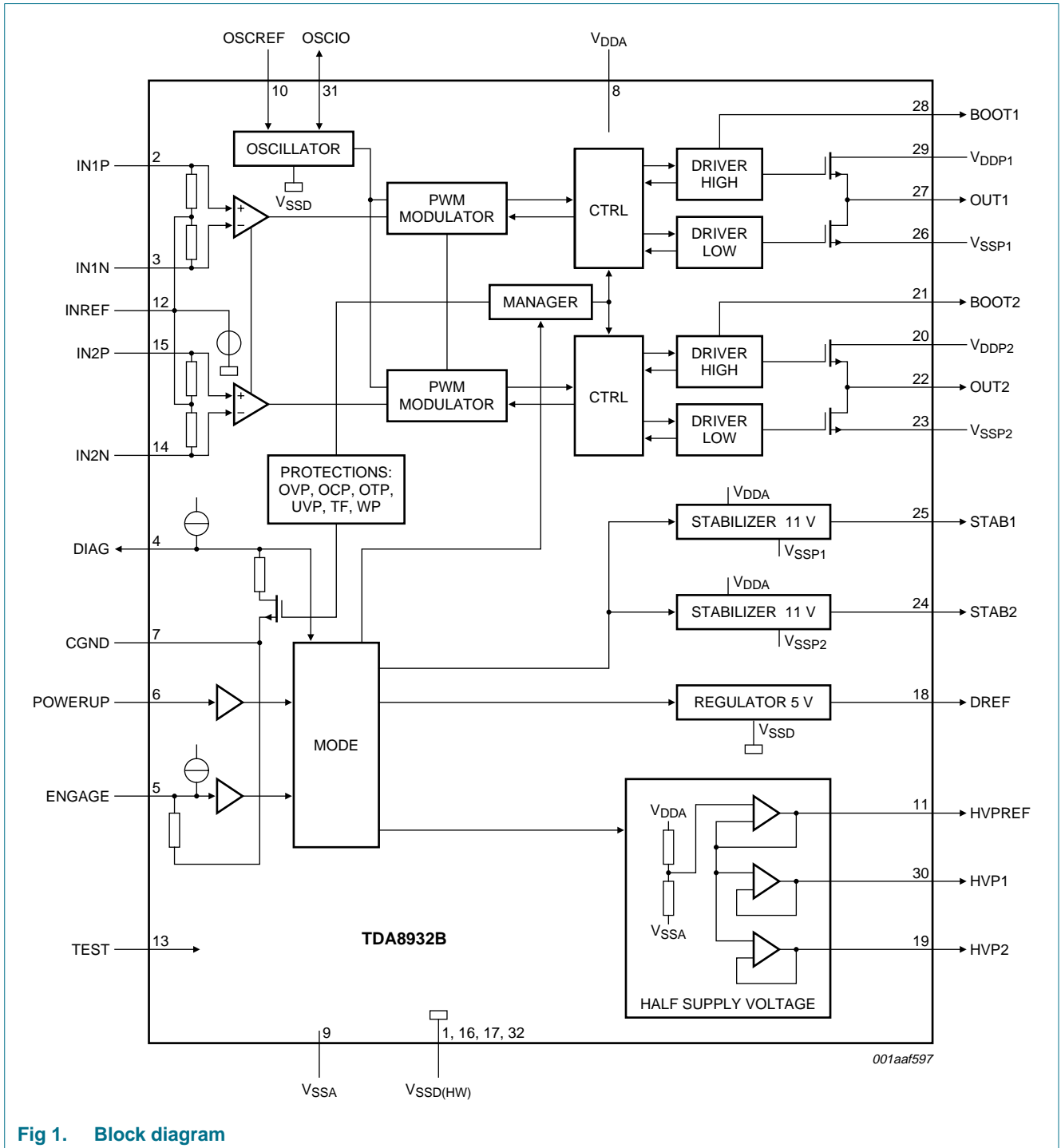


Fig 1. Block diagram

## 7. Pinning information

### 7.1 Pinning

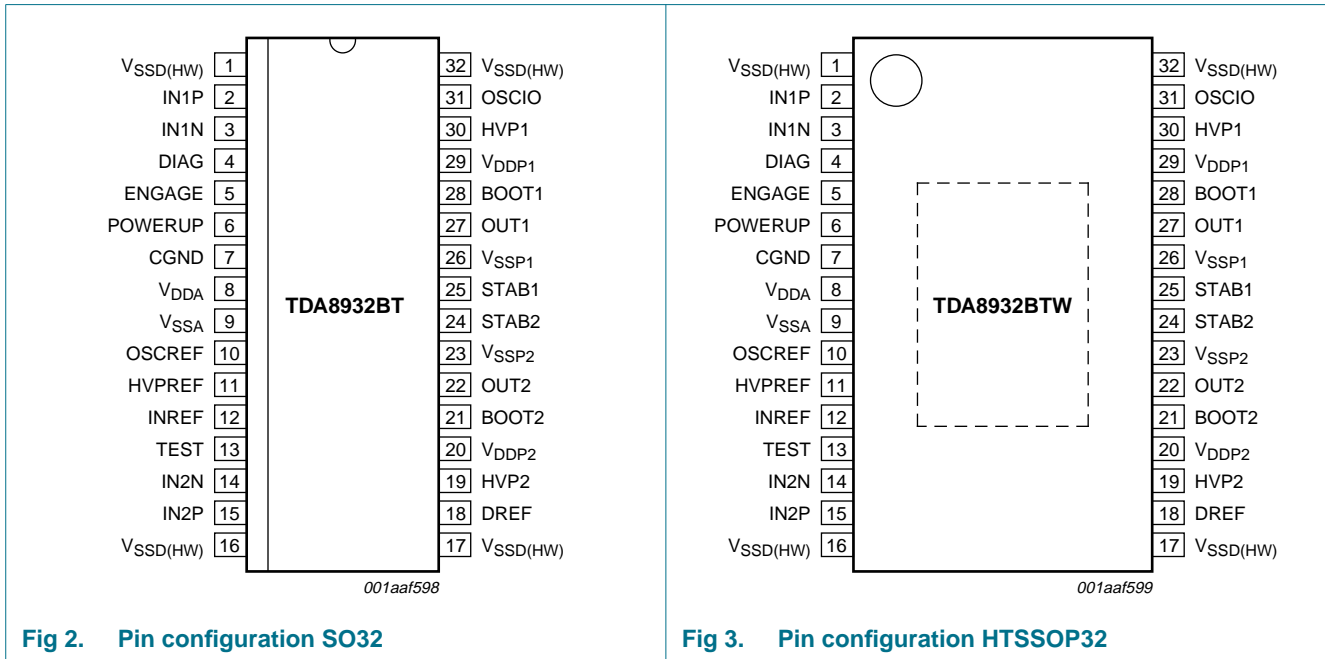


Fig 2. Pin configuration SO32

Fig 3. Pin configuration HTSSOP32

### 7.2 Pin description

Table 3. Pin description

Symbol	Pin	Description
V <sub>SSD(HW)</sub>	1	negative digital supply voltage and handle wafer connection
IN1P	2	positive audio input for channel 1
IN1N	3	negative audio input for channel 1
DIAG	4	diagnostic output; open-drain
ENGAGE	5	engage input to switch between Mute mode and Operating mode
POWERUP	6	power-up input to switch between Sleep mode and Mute mode
CGND	7	control ground; reference for POWERUP, ENGAGE and DIAG
V <sub>DDA</sub>	8	positive analog supply voltage
V <sub>SSA</sub>	9	negative analog supply voltage
OSCREF	10	input internal oscillator setting (only master setting)
HVPREF	11	decoupling of internal half supply voltage reference
INREF	12	decoupling for input reference voltage
TEST	13	test signal input; for testing purpose only
IN2N	14	negative audio input for channel 2
IN2P	15	positive audio input for channel 2
V <sub>SSD(HW)</sub>	16	negative digital supply voltage and handle wafer connection
V <sub>SSD(HW)</sub>	17	negative digital supply voltage and handle wafer connection
DREF	18	decoupling of internal (reference) 5 V regulator for logic supply

**Table 3. Pin description ...continued**

Symbol	Pin	Description
HVP2	19	half supply output voltage 2 for charging single-ended capacitor for channel 2
V <sub>DDP2</sub>	20	positive power supply voltage for channel 2
BOOT2	21	bootstrap high-side driver channel 2
OUT2	22	PWM output channel 2
V <sub>SSP2</sub>	23	negative power supply voltage for channel 2
STAB2	24	decoupling of internal 11 V regulator for channel 2 drivers
STAB1	25	decoupling of internal 11 V regulator for channel 1 drivers
V <sub>SSP1</sub>	26	negative power supply voltage for channel 1
OUT1	27	PWM output channel 1
BOOT1	28	bootstrap high-side driver channel 1
V <sub>DDP1</sub>	29	positive power supply voltage for channel 1
HVP1	30	half supply output voltage 1 for charging single-ended capacitor for channel 1
OSCIO	31	oscillator input in slave configuration or oscillator output in master configuration
V <sub>SSD(HW)</sub>	32	negative digital supply voltage and handle wafer connection
Exposed die pad	-	HTSSOP32 package only <sup>[1]</sup>

[1] The exposed die pad has to be connected to V<sub>SSD(HW)</sub>.

## 8. Functional description

### 8.1 General

The TDA8932B is a mono full-bridge or stereo half-bridge audio power amplifier using class-D technology. The audio input signal is converted into a Pulse Width Modulated (PWM) signal via an analog input stage and PWM modulator. To enable the output power Diffusion Metal Oxide Semiconductor (DMOS) transistors to be driven, this digital PWM signal is applied to a control and handshake block and driver circuits for both the high side and low side. A 2nd-order low-pass filter converts the PWM signal to an analog audio signal across the loudspeakers.

The TDA8932B contains two independent half-bridges with full differential input stages. The loudspeakers can be connected in the following configurations:

- Mono full-bridge: Bridge Tied Load (BTL)
- Stereo half-bridge: Single-Ended (SE)

The TDA8932B contains common circuits to both channels such as the oscillator, all reference sources, the mode functionality and a digital timing manager. The following protections are built-in: thermal foldback, temperature, current and voltage protections.

## 8.2 Mode selection and interfacing

The TDA8932B supports four operating modes, selected using pins POWERUP and ENGAGE:

- Sleep mode: with low supply current.
- Mute mode: the amplifiers are switching idle (50 % duty cycle), but the audio signal at the output is suppressed by disabling the VI-converter input stages. The capacitors on pins HVP1 and HVP2 have been charged to half the supply voltage (asymmetrical supply only).
- Operating mode: the amplifiers are fully operational with output signal.
- Fault mode.

Pins POWERUP and ENGAGE are referenced to pin CGND.

[Table 4](#) shows the different modes as a function of the voltages on the POWERUP and ENGAGE pins.

**Table 4. Mode selection**

Mode	Pin		
	POWERUP	ENGAGE	DIAG
Sleep	< 0.8 V	< 0.8 V	don't care
Mute	2 V to 6.0 V <a href="#">[1]</a>	< 0.8 V <a href="#">[1]</a>	> 2 V
Operating	2 V to 6.0 V <a href="#">[1]</a>	2.4 V to 6.0 V <a href="#">[1]</a>	> 2 V
Fault	2 V to 6.0 V <a href="#">[1]</a>	don't care	< 0.8 V

[1] In case of symmetrical supply conditions the voltage applied to pins POWERUP and ENGAGE must never exceed the supply voltage ( $V_{DDA}$ ,  $V_{DDP1}$  or  $V_{DDP2}$ ).

If the transition between Mute mode and Operating mode is controlled via a time constant, the start-up will be pop free since the DC output offset voltage is applied gradually to the output between Mute mode and Operating mode. The bias current setting of the VI-converters is related to the voltage on pin ENGAGE:

- Mute mode: the bias current setting of the VI-converters is zero (VI-converters disabled)
- Operating mode: the bias current is at maximum

The time constant required to apply the DC output offset voltage gradually between Mute mode and Operating mode can be generated by connecting a 470 nF decoupling capacitor to pin ENGAGE.

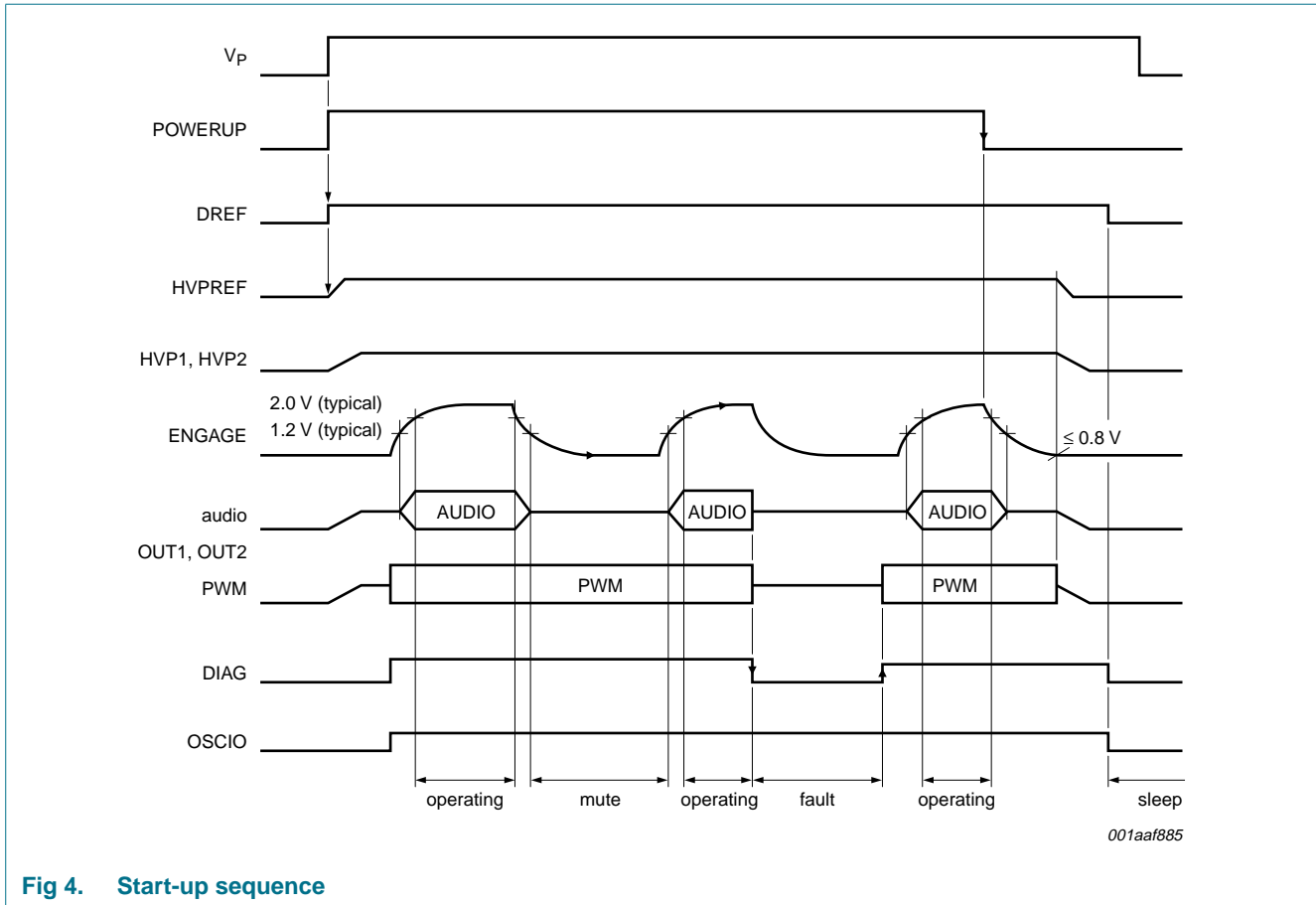


Fig 4. Start-up sequence

### 8.3 Pulse width modulation frequency

The output of the amplifier is a PWM signal with a carrier frequency of approximately 320 kHz. Using a 2nd-order low-pass filter in the application results in an analog audio signal across the loudspeaker. The PWM switching frequency can be set by an external resistor  $R_{osc}$  connected between pins OSCREF and  $V_{SSD(HW)}$ . The carrier frequency can be set between 300 kHz and 500 kHz. Using an external resistor of 39 k $\Omega$ , the carrier frequency is set to an optimized value of 320 kHz (see [Figure 5](#)).

If two or more TDA8932B devices are used in the same audio application, it is recommended to synchronize the switching frequency of all devices. This can be realized by connecting all OSCIO pins together and configure one of the TDA8932B in the application as clock master, while the other TDA8932B devices are configured in slave mode.

Pin OSCIO is a 3-state input or output buffer. Pin OSCIO is configured in master mode as an oscillator output and in slave mode as an oscillator input. Master mode is enabled by applying a resistor while slave mode is entered by connecting pin OSCREF directly to pin  $V_{SSD(HW)}$  (without any resistor).

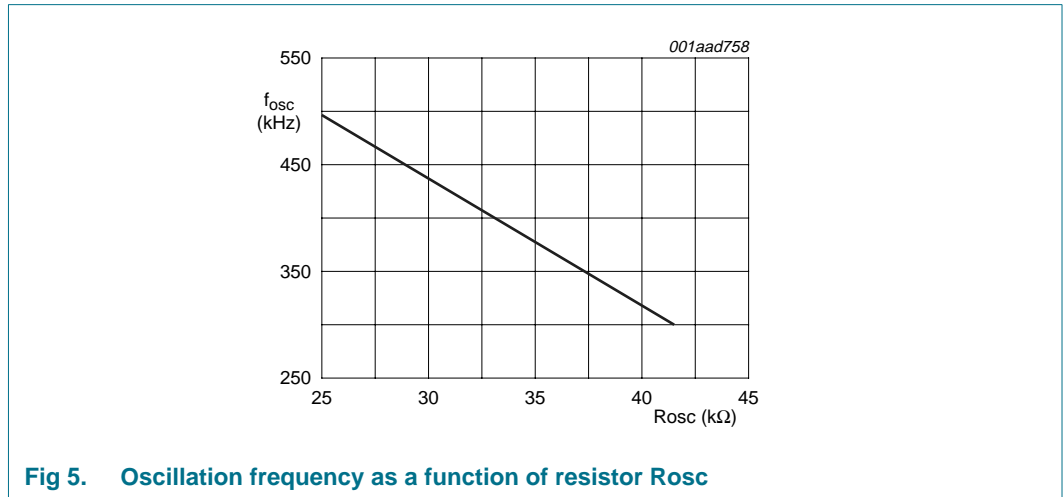
The value of the resistor also sets the frequency of the carrier which can be estimated by the following formula:

$$f_{osc} = \frac{12.45 \times 10^9}{R_{osc}} \tag{1}$$

Where:

$f_{osc}$  = oscillator frequency (Hz)

$R_{osc}$  = oscillator resistor (on pin OSCREF) ( $\Omega$ )



**Fig 5. Oscillation frequency as a function of resistor R<sub>osc</sub>**

[Table 5](#) summarizes how to configure the TDA8932B in master or slave configuration.

For device synchronization see [Section 14.6 “Device synchronization”](#).

**Table 5. Master or slave configuration**

Configuration	Pin	
	OSCREF	OSCIO
Master	R <sub>osc</sub> > 25 kΩ to V <sub>SSD(HW)</sub>	output
Slave	R <sub>osc</sub> = 0 Ω; shorted to V <sub>SSD(HW)</sub>	input

### 8.4 Protection

The following protection is included in the TDA8932B:

- Thermal Foldback (TF)
- OverTemperature Protection (OTP)
- OverCurrent Protection (OCP)
- Window Protection (WP)
- Supply voltage protection:
  - UnderVoltage Protection (UVP)
  - OverVoltage Protection (OVP)
  - UnBalance Protection (UBP)
- ElectroStatic Discharge (ESD)

The reaction of the device to the different fault conditions differs per protection.



#### 8.4.1 Thermal Foldback (TF)

If the junction temperature of the TDA8932B exceeds the threshold level ( $T_j > 140\text{ °C}$ ) the gain of the amplifier is decreased gradually to a level where the combination of dissipation (P) and the thermal resistance from junction to ambient [ $R_{th(j-a)}$ ] results in a junction temperature around the threshold level.

This means that the device will not completely switch off, but remains operational at lower output power levels. Especially with music output signals this feature enables high peak output power while still operating without any external heat sink other than the printed-circuit board area.

If the junction temperature still increases due to external causes, the OTP shuts down the amplifier completely.

#### 8.4.2 OverTemperature Protection (OTP)

If the junction temperature  $T_j > 155\text{ °C}$ , then the power stage will shut down immediately.

#### 8.4.3 OverCurrent Protection (OCP)

When the loudspeaker terminals are short-circuited or if one of the demodulated outputs of the amplifier is short-circuited to one of the supply lines, this will be detected by the OCP.

If the output current exceeds the maximum output current ( $I_{O(ocp)} > 4\text{ A}$ ), this current will be limited by the amplifier to 4 A while the amplifier outputs remain switching (the amplifier is NOT shutdown completely). This is called current limiting.

The amplifier can distinguish between an impedance drop of the loudspeaker and a low-ohmic short-circuit across the load or to one of the supply lines. This impedance threshold depends on the supply voltage used:

- In case of a short-circuit across the load, the audio amplifier is switched off completely and after approximately 100 ms it will try to restart again. If the short-circuit condition is still present after this time, this cycle will be repeated. The average dissipation will be low because of this low duty cycle.
- In case of a short to one of the supply lines, this will trigger the OCP and the amplifier will be shut down. During restart the window protection will be activated. As a result the amplifier will not start until 100 ms after the short to the supply lines is removed.
- In case of impedance drop (e.g. due to dynamic behavior of the loudspeaker) the same protection will be activated. The maximum output current is again limited to 4 A, but the amplifier will NOT switch off completely (thus preventing audio holes from occurring). The result will be a clipping output signal without any artifacts.

#### 8.4.4 Window Protection (WP)

The WP checks the PWM output voltage before switching from Sleep mode to Mute mode (outputs switching) and is activated:

- During the start-up sequence, when pin POWERUP is switched from Sleep mode to Mute mode. In the event of a short-circuit at one of the output terminals to  $V_{DDP1}$ ,  $V_{SSP1}$ ,  $V_{DDP2}$  or  $V_{SSP2}$  the start-up procedure is interrupted and the TDA8932B waits for open-circuit outputs. Because the check is done before enabling the power stages, no large currents will flow in the event of a short-circuit.

- When the amplifier is completely shut down due to activation of the OCP because a short-circuit to one of the supply lines is made, then during restart (after 100 ms) the window protection will be activated. As a result the amplifier will not start until the short-circuit to the supply lines is removed.

**8.4.5 Supply voltage protection**

If the supply voltage drops below 10 V, the UnderVoltage Protection (UVP) circuit is activated and the system will shut down directly. This switch-off will be silent and without pop noise. When the supply voltage rises above the threshold level, the system is restarted again after 100 ms.

If the supply voltage exceeds 36 V the OverVoltage Protection (OVP) circuit is activated and the power stages will shut down. It is re-enabled as soon as the supply voltage drops below the threshold level. The system is restarted again after 100 ms.

It should be noted that supply voltages > 40 V may damage the TDA8932B. Two conditions should be distinguished:

1. If the supply voltage is pumped to higher values by the TDA8932B application itself (see also [Section 14.3](#)), the OVP is triggered and the TDA8932B is shut down. The supply voltage will decrease and the TDA8932B is protected against any overstress.
2. If a supply voltage > 40 V is caused by other or external causes, then the TDA8932B will shut down, but the device can still be damaged since the supply voltage will remain > 40 V in this case. The OVP protection is not a supply voltage clamp.

An additional UnBalance Protection (UBP) circuit compares the positive analog supply voltage (V<sub>DDA</sub>) and the negative analog supply voltage (V<sub>SSA</sub>) and is triggered if the voltage difference between them exceeds a certain level. This level depends on the sum of both supply voltages. The unbalance threshold levels can be defined as follows:

- LOW-level threshold:  $V_{P(th)(ubp)l} < \frac{8}{5} \times V_{HVPREF}$
- HIGH-level threshold:  $V_{P(th)(ubp)h} > \frac{8}{3} \times V_{HVPREF}$

In a symmetrical supply the UBP is released when the unbalance of the supply voltage is within 6 % of its starting value.

[Table 6](#) shows an overview of all protection and the effect on the output signal.

**Table 6. Protection overview**

Protection	Restart	
	When fault is removed	Every 100 ms
OTP	no	yes
OCP	yes	no
WP	yes	no
UVP	no	yes
OVP	no	yes
UBP	no	yes

### 8.5 Diagnostic input and output

Whenever a protection other than TF is triggered, pin DIAG is forced LOW level (see [Table 6](#)). An internal reference supply will pull-up the open-drain DIAG output to approximately 2.4 V. This internal reference supply can deliver approximately 50  $\mu$ A. Pin DIAG refers to pin CGND. The diagnostic output signal during different short conditions is illustrated in [Figure 6](#). Using pin DIAG as input, a voltage < 0.8 V will put the device into Fault mode.

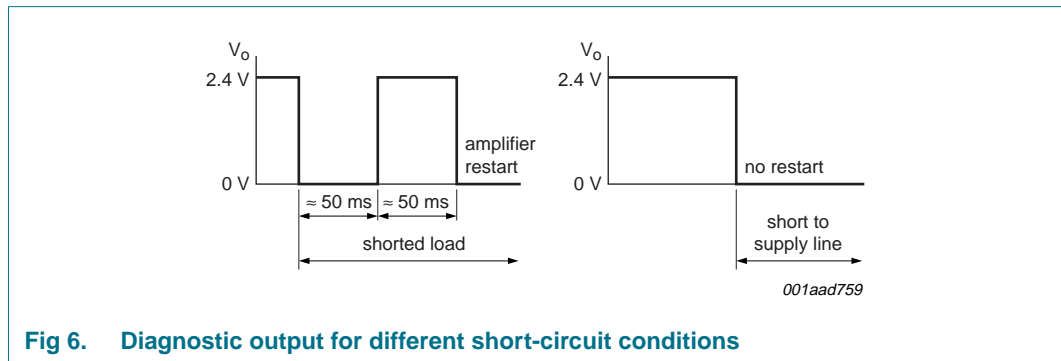


Fig 6. Diagnostic output for different short-circuit conditions

### 8.6 Differential inputs

For a high common-mode rejection ratio and a maximum of flexibility in the application, the audio inputs are fully differential. By connecting the inputs anti-parallel, the phase of one of the two channels can be inverted, so that the amplifier can operate as a mono BTL amplifier. The input configuration for a mono BTL application is illustrated in [Figure 7](#).

In SE configuration it is also recommended to connect the two differential inputs in anti-phase. This has advantages for the current handling of the power supply at low signal frequencies and minimizes supply pumping (see also [Section 14.8](#)).

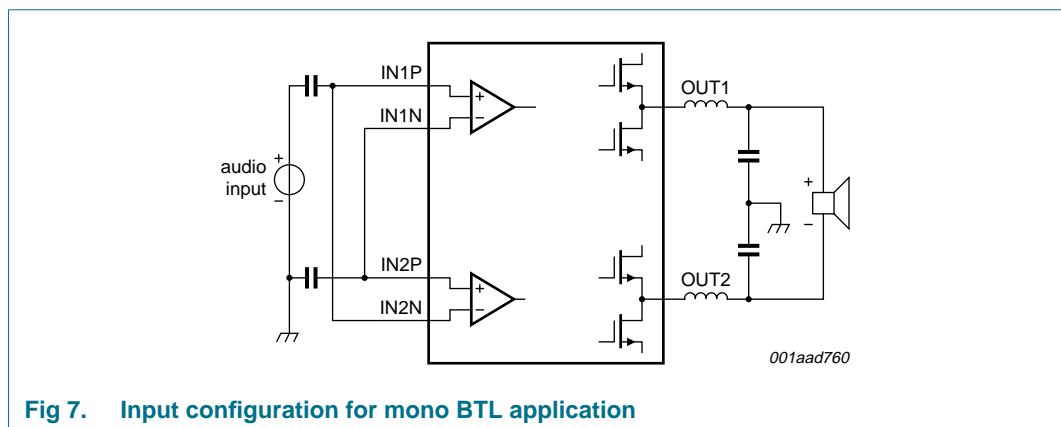


Fig 7. Input configuration for mono BTL application

### 8.7 Output voltage buffers

When pin POWERUP is set HIGH, the half supply output voltage buffers are switched on in asymmetrical supply configuration. The start-up will be pop free since the device starts switching when the capacitor on pin HVPREF and the SE capacitors are completely charged.

Output voltage buffers:

- Pins HVP1 and HVP2: The time required for charging the SE capacitor depends on its value. The half supply voltage output is disabled when the TDA8932B is used in a symmetrical supply application.
- Pin HVPREF: This output voltage reference buffer charges the capacitor on pin HVPREF.
- Pin INREF: This output voltage reference buffer charges the input reference capacitor on pin INREF. Pin INREF applies the bias voltage for the inputs.

## 9. Internal circuitry

Table 7. Internal circuitry

Pin	Symbol	Equivalent circuit
1	$V_{SSD(HW)}$	<p style="text-align: right;">001aad784</p>
16	$V_{SSD(HW)}$	
17	$V_{SSD(HW)}$	
32	$V_{SSD(HW)}$	
2	IN1P	<p style="text-align: right;">001aad785</p>
3	IN1N	
12	INREF	
14	IN2N	
15	IN2P	
4	DIAG	<p style="text-align: right;">001aaf607</p>

Table 7. Internal circuitry ...continued

Pin	Symbol	Equivalent circuit
5	ENGAGE	<p style="text-align: right;">001aaf608</p>
6	POWERUP	<p style="text-align: right;">001aad788</p>
7	CGND	<p style="text-align: right;">001aad789</p>
8	V <sub>DDA</sub>	<p style="text-align: right;">001aad790</p>

Table 7. Internal circuitry ...continued

Pin	Symbol	Equivalent circuit
9	V <sub>SSA</sub>	<p style="text-align: right;">001aad791</p>
10	OSCREF	<p style="text-align: right;">001aad792</p>
11	HVPREF	<p style="text-align: right;">001aaf604</p>
13	TEST	<p style="text-align: right;">001aad795</p>
18	DREF	<p style="text-align: right;">001aag025</p>

Table 7. Internal circuitry ...continued

Pin	Symbol	Equivalent circuit
19	HVP2	<p style="text-align: right;">001aag026</p>
30	HVP1	
20	V <sub>DDP2</sub>	<p style="text-align: right;">001aad798</p>
23	V <sub>SSP2</sub>	
26	V <sub>SSP1</sub>	
29	V <sub>DDP1</sub>	
21	BOOT2	<p style="text-align: right;">001aad799</p>
28	BOOT1	
22	OUT2	<p style="text-align: right;">001aag027</p>
27	OUT1	
24	STAB2	<p style="text-align: right;">001aag028</p>
25	STAB1	
31	OSCIO	<p style="text-align: right;">001aag029</p>

## 10. Limiting values

**Table 8. Limiting values**

In accordance with the Absolute Maximum Rating System (IEC 60134).

Symbol	Parameter	Conditions	Min	Max	Unit
$V_P$	supply voltage	asymmetrical supply	[1] -0.3	+40	V
$V_x$	voltage on pin x				
	IN1P, IN1N, IN2P, IN2N		[2] -5	+5	V
	OSCREf, OSCIO, TEST		[3] $V_{SSD(HW)} - 0.3$	5	V
	POWERUP, ENGAGE, DIAG		[4] $V_{CGND} - 0.3$	6	V
	all other pins		[5] $V_{SS} - 0.3$	$V_{DD} + 0.3$	V
$I_{ORM}$	repetitive peak output current	maximum output current limiting	[6] 4	-	A
$T_j$	junction temperature		-	150	°C
$T_{stg}$	storage temperature		-55	+150	°C
$T_{amb}$	ambient temperature		-40	+85	°C
P	power dissipation		-	5	W
$V_{esd}$	electrostatic discharge voltage	HBM	[7] -2000	+2000	V
		MM	[8] -200	+200	V

[1]  $V_P = V_{DDP1} - V_{SSP1} = V_{DDP2} - V_{SSP2}$ .

[2] Measured with respect to pin INREF;  $V_x < V_{DD} + 0.3$  V.

[3] Measured with respect to pin  $V_{SSD(HW)}$ ;  $V_x < V_{DD} + 0.3$  V.

[4] Measured with respect to pin CGND;  $V_x < V_{DD} + 0.3$  V.

[5]  $V_{SS} = V_{SSP1} = V_{SSP2}$ ;  $V_{DD} = V_{DDP1} = V_{DDP2}$ .

[6] Current limiting concept.

[7] Human Body Model (HBM);  $R_s = 1500 \Omega$ ;  $C = 100$  pF  
For pins 2, 3, 11, 14 and 15  $V_{esd} = \pm 1800$  V.

[8] Machine Model (MM);  $R_s = 0 \Omega$ ;  $C = 200$  pF;  $L = 0.75 \mu H$ .

## 11. Thermal characteristics

**Table 9. Thermal characteristics**

Symbol	Parameter	Conditions	Min	Typ	Max	Unit
<b>SO32 package</b>						
$R_{th(j-a)}$	thermal resistance from junction to ambient	free air natural convection				
		JEDEC test board	[1] -	41	44	K/W
		2 layer application board	[2] -	44	-	K/W
$\Psi_{j-lead}$	thermal characterization parameter from junction to lead		-	-	30	K/W
$\Psi_{j-top}$	thermal characterization parameter from junction to top of package		[3] -	-	8	K/W



**Table 9. Thermal characteristics ...continued**

Symbol	Parameter	Conditions	Min	Typ	Max	Unit	
<b>HTSSOP32 package</b>							
R <sub>th(j-a)</sub>	thermal resistance from junction to ambient	free air natural convection					
		JEDEC test board	[1]	-	47	50	K/W
		2 layer application board	[4]	-	48	-	K/W
Ψ <sub>j-lead</sub>	thermal characterization parameter from junction to lead		-	-	30	K/W	
Ψ <sub>j-top</sub>	thermal characterization parameter from junction to top of package		[3]	-	2	K/W	
R <sub>th(j-c)</sub>	thermal resistance from junction to case	free air natural convection	-	4.0	-	K/W	

[1] Measured on a JEDEC high K-factor test board (standard EIA/JESD 51-7) in free air with natural convection.

[2] Two layer application board (55 mm × 45 mm), 35 μm copper, FR4 base material in free air with natural convection.

[3] Strongly depends on where the measurement is taken on the package.

[4] Two layer application board (55 mm × 40 mm), 35 μm copper, FR4 base material in free air with natural convection.

## 12. Static characteristics

**Table 10. Static characteristics**

V<sub>P</sub> = 22 V; f<sub>osc</sub> = 320 kHz; T<sub>amb</sub> = 25 °C; unless otherwise specified.

Symbol	Parameter	Conditions	Min	Typ	Max	Unit
<b>Supply</b>						
V <sub>P</sub>	supply voltage	asymmetrical supply	10	22	36	V
		symmetrical supply	±5	±11	±18	V
I <sub>P</sub>	supply current	Sleep mode; no load	-	145	195	μA
I <sub>q(tot)</sub>	total quiescent current	Operating mode; no load, no snubbers and no filter connected	-	40	50	mA
<b>Series resistance output power switches</b>						
R <sub>DSon</sub>	drain-source on-state resistance	T <sub>j</sub> = 25 °C	-	150	-	mΩ
		T <sub>j</sub> = 125 °C	-	234	-	mΩ
<b>Power-up input: pin POWERUP[1]</b>						
V <sub>I</sub>	input voltage		0	-	6.0	V
I <sub>I</sub>	input current	V <sub>I</sub> = 3 V	-	1	20	μA
V <sub>IL</sub>	LOW-level input voltage		0	-	0.8	V
V <sub>IH</sub>	HIGH-level input voltage		2	-	6.0	V
<b>Engage input: pin ENGAGE[1]</b>						
V <sub>O</sub>	output voltage	open pin	2.4	2.8	3.1	V
V <sub>I</sub>	input voltage		0	-	6.0	V
I <sub>O</sub>	output current	V <sub>I</sub> = 0 V	-	50	60	μA
V <sub>IL</sub>	LOW-level input voltage		0	-	0.8	V
V <sub>IH</sub>	HIGH-level input voltage		2.4	-	6.0	V

**Table 10. Static characteristics ...continued** $V_P = 22\text{ V}$ ;  $f_{osc} = 320\text{ kHz}$ ;  $T_{amb} = 25\text{ °C}$ ; unless otherwise specified.

Symbol	Parameter	Conditions	Min	Typ	Max	Unit	
<b>Diagnostic output: pin DIAG<sup>[1]</sup></b>							
$V_O$	output voltage	protection activated; see <a href="#">Table 6</a>	-	-	0.8	V	
		Operating mode	2	2.5	3.3	V	
<b>Bias voltage for inputs: pin INREF</b>							
$V_{O(bias)}$	bias output voltage	with respect to pin $V_{SSA}$	-	2.1	-	V	
<b>Half supply voltage</b>							
<b>Pins HVP1 and HVP2</b>							
$V_O$	output voltage	half supply voltage to charge SE capacitor	$0.5V_P - 0.2$	$0.5V_P$	$0.5V_P + 0.2$	V	
$I_O$	output current	$V_{HVP1} = V_O - 1\text{ V}$ ; $V_{HVP2} = V_O - 1\text{ V}$	-	50	-	mA	
<b>Pin HVPREF</b>							
$V_O$	output voltage	half supply reference voltage in Mute mode	$0.5V_P - 0.2$	$0.5V_P$	$0.5V_P + 0.2$	V	
<b>Reference voltage for internal logic: pin DREF</b>							
$V_O$	output voltage		4.5	4.8	5.1	V	
<b>Amplifier outputs: pins OUT1 and OUT2</b>							
$ V_{O(offset)} $	output offset voltage	SE; with respect to pin HVPREF					
		Mute mode	-	-	15	mV	
		Operating mode	-	-	100	mV	
		BTL					
		Mute mode	-	-	20	mV	
		Operating mode	-	-	150	mV	
<b>Stabilizer output: pins STAB1 and STAB2</b>							
$V_O$	output voltage	Mute mode and Operating mode; with respect to pins $V_{SSP1}$ and $V_{SSP2}$	10	11	12	V	
<b>Voltage protection</b>							
$V_{P(ulp)}$	undervoltage protection supply voltage		8.0	9.2	9.9	V	
$V_{P(ovp)}$	overvoltage protection supply voltage		36.1	37.4	40	V	
$V_{P(th)(ubp)l}$	low unbalance protection threshold supply voltage	$V_{HVPREF} = 11\text{ V}$	-	-	18	V	
$V_{P(th)(ubp)h}$	high unbalance protection threshold supply voltage	$V_{HVPREF} = 11\text{ V}$	29	-	-	V	
<b>Current protection</b>							
$I_{O(ocp)}$	overcurrent protection output current	current limiting	4	5	-	A	
<b>Temperature protection</b>							
$T_{act(th\_prot)}$	thermal protection activation temperature		155	-	160	°C	

**Table 10. Static characteristics ...continued**

$V_P = 22\text{ V}$ ;  $f_{osc} = 320\text{ kHz}$ ;  $T_{amb} = 25\text{ °C}$ ; unless otherwise specified.

Symbol	Parameter	Conditions	Min	Typ	Max	Unit
$T_{act(th\_fold)}$	thermal foldback activation temperature		140	-	150	°C
<b>Oscillator reference; pin OSCIO<sup>[2]</sup></b>						
$V_{IH}$	HIGH-level input voltage		4.0	-	5	V
$V_{IL}$	LOW-level input voltage		0	-	0.8	V
$V_{OH}$	HIGH-level output voltage		4.0	-	5	V
$V_{OL}$	LOW-level output voltage		0	-	0.8	V
$N_{slave(max)}$	maximum number of slaves	driven by one master	12	-	-	-

[1] Measured with respect to pin CGND.

[2] Measured with respect to pin  $V_{SSD(HW)}$ .

### 13. Dynamic characteristics

**Table 11. Switching characteristics**

$V_P = 22\text{ V}$ ;  $T_{amb} = 25\text{ °C}$ ; unless otherwise specified.

Symbol	Parameter	Conditions	Min	Typ	Max	Unit
<b>Internal oscillator</b>						
$f_{osc}$	oscillator frequency	$R_{osc} = 39\text{ k}\Omega$	-	320	-	kHz
		range	300	-	500	kHz
<b>Timing PWM output: pins OUT1 and OUT2</b>						
$t_r$	rise time	$I_O = 0\text{ A}$	-	10	-	ns
$t_f$	fall time	$I_O = 0\text{ A}$	-	10	-	ns
$t_{w(min)}$	minimum pulse width	$I_O = 0\text{ A}$	-	80	-	ns

**Table 12. SE characteristics**

$V_P = 22\text{ V}$ ;  $R_L = 2 \times 4\text{ }\Omega$ ;  $f_i = 1\text{ kHz}$ ;  $f_{osc} = 320\text{ kHz}$ ;  $R_S < 0.1\text{ }\Omega$ <sup>[1]</sup>;  $T_{amb} = 25\text{ °C}$ ; unless otherwise specified.

Symbol	Parameter	Conditions	Min	Typ	Max	Unit
THD+N	total harmonic distortion-plus-noise	$P_O = 1\text{ W}$	<sup>[2]</sup>			
		$f_i = 1\text{ kHz}$	-	0.015	0.05	%
		$f_i = 6\text{ kHz}$	-	0.08	0.10	%
$G_{V(cl)}$	closed-loop voltage gain	$V_i = 100\text{ mV}$ ; no load	29	30	31	dB
$ \Delta G_V $	voltage gain difference		-	0.5	1	dB
$\alpha_{CS}$	channel separation	$P_O = 1\text{ W}$ ; $f_i = 1\text{ kHz}$	70	80	-	dB
SVRR	supply voltage rejection ratio	Operating mode	<sup>[3]</sup>			
		$f_i = 100\text{ Hz}$	-	60	-	dB
		$f_i = 1\text{ kHz}$	40	50	-	dB
$ Z_i $	input impedance	differential	70	100	-	k $\Omega$
$V_{n(o)}$	output noise voltage	Operating mode; $R_S = 0\text{ }\Omega$	<sup>[4]</sup>	-	100	$\mu\text{V}$
		Mute mode	<sup>[4]</sup>	-	70	$\mu\text{V}$
$V_{O(mute)}$	mute output voltage	Mute mode; $V_i = 1\text{ V (RMS)}$ and $f_i = 1\text{ kHz}$	-	100	-	$\mu\text{V}$

**Table 12. SE characteristics ...continued**

$V_P = 22\text{ V}$ ;  $R_L = 2 \times 4\ \Omega$ ;  $f_i = 1\text{ kHz}$ ;  $f_{osc} = 320\text{ kHz}$ ;  $R_s < 0.1\ \Omega$ <sup>[1]</sup>;  $T_{amb} = 25\text{ °C}$ ; unless otherwise specified.

Symbol	Parameter	Conditions	Min	Typ	Max	Unit
CMRR	common mode rejection ratio	$V_{i(cm)} = 1\text{ V (RMS)}$	-	75	-	dB
$\eta_{po}$	output power efficiency	$P_o = 15\text{ W}$				
		$V_P = 22\text{ V}$ ; $R_L = 4\ \Omega$	90	92	-	%
		$V_P = 30\text{ V}$ ; $R_L = 8\ \Omega$	91	93	-	%
$P_{o(RMS)}$	RMS output power	continuous time output power per channel <sup>[5]</sup>				
		$R_L = 4\ \Omega$ ; $V_P = 22\text{ V}$				
		THD+N = 0.5 %; $f_i = 1\text{ kHz}$	10.9	12.1	-	W
		THD+N = 0.5 %; $f_i = 100\text{ Hz}$	-	12.1	-	W
		THD+N = 10 %; $f_i = 1\text{ kHz}$	13.8	15.3	-	W
		THD+N = 10 %; $f_i = 100\text{ Hz}$	-	15.3	-	W
		$R_L = 8\ \Omega$ ; $V_P = 30\text{ V}$				
		THD+N = 0.5 %; $f_i = 1\text{ kHz}$	11.1	12.3	-	W
		THD+N = 0.5 %; $f_i = 100\text{ Hz}$	-	12.3	-	W
		THD+N = 10 %; $f_i = 1\text{ kHz}$	14.0	15.5	-	W
		THD+N = 10 %; $f_i = 100\text{ Hz}$	-	15.5	-	W
		short time output power per channel <sup>[5]</sup>				
		$R_L = 4\ \Omega$ ; $V_P = 29\text{ V}$				
THD+N = 0.5 %	19.0	21.1	-	W		
THD+N = 10 %	23.8	26.5	-	W		

[1]  $R_s$  is the series resistance of inductor and capacitor of low-pass LC filter in the application.

[2] THD+N is measured in a bandwidth of 20 Hz to 20 kHz, AES17 brick wall.

[3] Maximum  $V_{ripple} = 2\text{ V (p-p)}$ ;  $R_s = 0\ \Omega$ .

[4]  $B = 20\text{ Hz to }20\text{ kHz}$ , AES17 brick wall.

[5] Output power is measured indirectly; based on  $R_{DSon}$  measurement.

Two layer application board (55 mm × 45 mm), 35  $\mu\text{m}$  copper, FR4 base material in free air with natural convection.

**Table 13. BTL characteristics**

$V_P = 22\text{ V}$ ;  $R_L = 8\ \Omega$ ;  $f_i = 1\text{ kHz}$ ;  $f_{osc} = 320\text{ kHz}$ ;  $R_s < 0.1\ \Omega$ <sup>[1]</sup>;  $T_{amb} = 25\text{ °C}$ ; unless otherwise specified.

Symbol	Parameter	Conditions	Min	Typ	Max	Unit
THD+N	total harmonic distortion-plus-noise	$P_o = 1\text{ W}$ <sup>[2]</sup>				
		$f_i = 1\text{ kHz}$	-	0.007	0.1	%
		$f_i = 6\text{ kHz}$	-	0.05	0.1	%
$G_{v(cl)}$	closed-loop voltage gain		35	36	37	dB
SVRR	supply voltage rejection ratio	Operating mode <sup>[3]</sup>				
		$f_i = 100\text{ Hz}$	-	75	-	dB
		$f_i = 1000\text{ Hz}$	70	75	-	dB
		sleep; $f_i = 100\text{ Hz}$ <sup>[3]</sup>	-	80	-	dB
$ Z_i $	input impedance	differential	35	50		k $\Omega$

**Table 13. BTL characteristics ...continued**

$V_P = 22\text{ V}$ ;  $R_L = 8\ \Omega$ ;  $f_i = 1\text{ kHz}$ ;  $f_{osc} = 320\text{ kHz}$ ;  $R_s < 0.1\ \Omega$ <sup>[1]</sup>;  $T_{amb} = 25\text{ °C}$ ; unless otherwise specified.

Symbol	Parameter	Conditions	Min	Typ	Max	Unit	
$V_{n(o)}$	output noise voltage	$R_s = 0\ \Omega$					
		Operating mode	[4]	-	100	150	$\mu\text{V}$
		Mute mode	[4]	-	70	100	$\mu\text{V}$
$V_{O(\text{mute})}$	mute output voltage	Mute mode; $V_i = 1\text{ V}$ (RMS) and $f_i = 1\text{ kHz}$	-	100	-	$\mu\text{V}$	
CMRR	common mode rejection ratio	$V_{i(\text{cm})} = 1\text{ V}$ (RMS)	-	75	-	dB	
$\eta_{po}$	output power efficiency	$P_o = 15\text{ W}$ ; $V_P = 12\text{ V}$ and $R_L = 4\ \Omega$	88	90	-	%	
		$P_o = 30\text{ W}$ ; $V_P = 22\text{ V}$ and $R_L = 8\ \Omega$	90	92	-	%	
$P_{O(\text{RMS})}$	RMS output power	continuous time output power	[5]				
		$R_L = 4\ \Omega$ ; $V_P = 12\text{ V}$					
		THD+N = 0.5 %; $f_i = 1\text{ kHz}$	11.8	13.2	-	W	
		THD+N = 0.5 %; $f_i = 100\text{ Hz}$	-	13.2	-	W	
		THD+N = 10 %; $f_i = 1\text{ kHz}$	15.5	17.2	-	W	
		THD+N = 10 %; $f_i = 100\text{ Hz}$	-	17.2	-	W	
		$R_L = 8\ \Omega$ ; $V_P = 22\text{ V}$					
		THD+N = 0.5 %; $f_i = 1\text{ kHz}$	23.1	25.7	-	W	
		THD+N = 0.5 %; $f_i = 100\text{ Hz}$	-	25.7	-	W	
		THD+N = 10 %; $f_i = 1\text{ kHz}$	28.9	32.1	-	W	
		THD+N = 10 %; $f_i = 100\text{ Hz}$	-	32.1	-	W	
		short time output power	[5]				
		$R_L = 4\ \Omega$ ; $V_P = 15\text{ V}$					
		THD+N = 0.5 %	18.5	20.6	-	W	
THD+N = 10 %	23.9	26.6	-	W			
$R_L = 8\ \Omega$ ; $V_P = 29\text{ V}$							
THD+N = 0.5 %	36.0	40.0	-	W			
THD+N = 10 %	49.5	55.0	-	W			

[1]  $R_s$  is the series resistance of inductor and capacitor of low-pass LC filter in the application.

[2] THD+N is measured in a bandwidth of 20 Hz to 20 kHz, AES17 brick wall.

[3] Maximum  $V_{\text{ripple}} = 2\text{ V}$  (p-p);  $R_s = 0\ \Omega$ .

[4] B = 20 Hz to 20 kHz, AES17 brick wall.

[5] Output power is measured indirectly; based on  $R_{\text{DSon}}$  measurement.

Two layer application board (55 mm × 45 mm), 35  $\mu\text{m}$  copper, FR4 base material in free air with natural convection.

## 14. Application information

### 14.1 Output power estimation

The output power  $P_o$  at THD+N = 0.5 %, just before clipping, for the SE and BTL configuration can be estimated using [Equation 2](#) and [Equation 3](#).

SE configuration:

$$P_{o(0.5\%)} = \frac{\left[ \left( \frac{R_L}{R_L + R_{DSon} + R_s + R_{ESR}} \right) \times (1 - t_{w(min)} \times f_{osc}) \times V_P \right]^2}{8 \times R_L} \quad (2)$$

BTL configuration:

$$P_{o(0.5\%)} = \frac{\left[ \left( \frac{R_L}{R_L + 2 \times (R_{DSon} + R_s)} \right) \times (1 - t_{w(min)} \times f_{osc}) \times V_P \right]^2}{2 \times R_L} \quad (3)$$

Where:

$V_P$  = supply voltage  $V_{DDP1} - V_{SSP1}$  (V) or  $V_{DDP2} - V_{SSP2}$  (V)

$R_L$  = load impedance ( $\Omega$ )

$R_{DSon}$  = on-resistance power switch ( $\Omega$ )

$R_s$  = series resistance output inductor ( $\Omega$ )

$R_{ESR}$  = equivalent series resistance SE capacitor ( $\Omega$ )

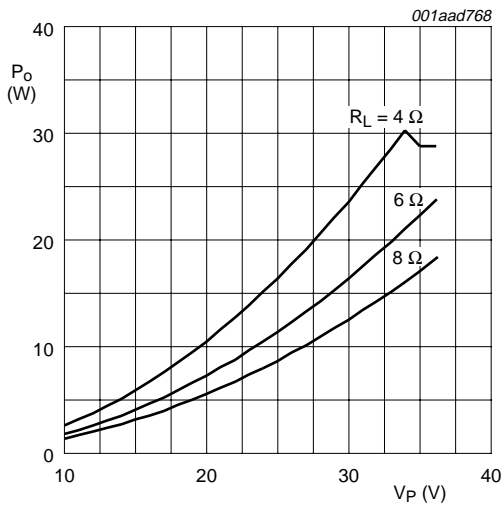
$t_{w(min)}$  = minimum pulse width (s); 80 ns typical

$f_{osc}$  = oscillator frequency (Hz); 320 kHz typical with  $R_{osc} = 39 \text{ k}\Omega$

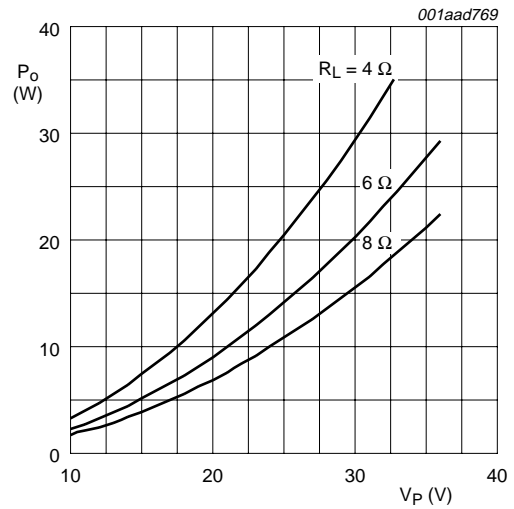
The output power  $P_o$  at THD+N = 10 % can be estimated by:

$$P_{o(10\%)} = 1.25 \times P_{o(0.5\%)} \quad (4)$$

[Figure 8](#) and [Figure 9](#) show the estimated output power at THD+N = 0.5 % and THD+N = 10 % as a function of the supply voltage for SE and BTL configurations at different load impedances. The output power is calculated with:  $R_{DSon} = 0.15 \text{ }\Omega$  (at  $T_j = 25 \text{ }^\circ\text{C}$ ),  $R_s = 0.05 \text{ }\Omega$ ,  $R_{ESR} = 0.05 \text{ }\Omega$  and  $I_{O(ocp)} = 4 \text{ A}$  (minimum).

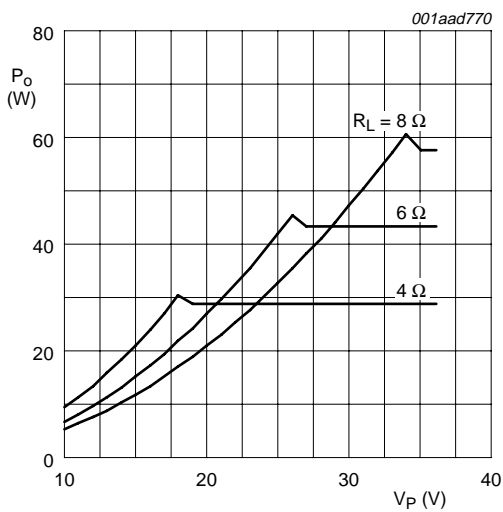


a. THD+N = 0.5 %

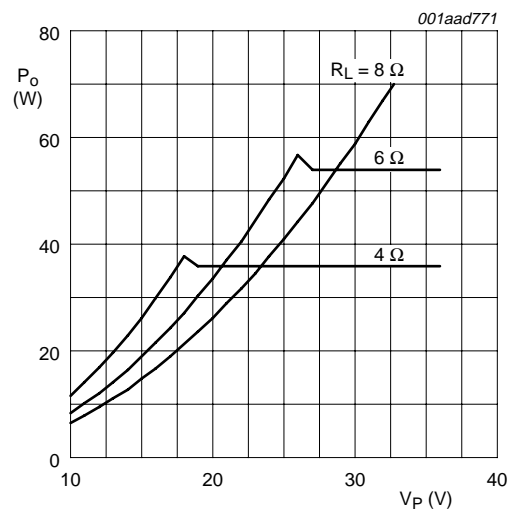


b. THD+N = 10 %

Fig 8. SE output power as a function of supply voltage



a. THD+N = 0.5 %



b. THD+N = 10 %

Fig 9. BTL output power as a function of supply voltage

### 14.2 Output current limiting

The peak output current  $I_{O(max)}$  is internally limited above a level of 4 A (minimum). During normal operation the output current should not exceed this threshold level of 4 A otherwise the output signal is distorted. The peak output current in SE or BTL configurations can be estimated using [Equation 5](#) and [Equation 6](#).

SE configuration:

$$I_{O(max)} \leq \frac{0.5 \times V_P}{R_L + R_{DSon} + R_s + R_{ESR}} \leq 4 \text{ A} \tag{5}$$

BTL configuration:

$$I_{O(max)} \leq \frac{V_P}{R_L + 2 \times (R_{DSon} + R_s)} \leq 4 \text{ A} \tag{6}$$

Where:

$V_P$  = supply voltage  $V_{DDP1} - V_{SSP1}$  (V) or  $V_{DDP2} - V_{SSP2}$  (V)

$R_L$  = load impedance ( $\Omega$ )

$R_{DSon}$  = on-resistance power switch ( $\Omega$ )

$R_s$  = series resistance output inductor ( $\Omega$ )

$R_{ESR}$  = equivalent series resistance SE capacitor ( $\Omega$ )

**Example:**

A 4  $\Omega$  speaker in the BTL configuration can be used up to a supply voltage of 18 V without running into current limiting. Current limiting (clipping) will avoid audio holes but it causes a comparable distortion like voltage clipping.

### 14.3 Speaker configuration and impedance

For a flat frequency response (second-order Butterworth filter) it is necessary to change the low-pass filter components  $L_{lc}$  and  $C_{lc}$  according to the speaker configuration and impedance. [Table 14](#) shows the practical required values.

**Table 14. Filter component values**

Configuration	$R_L$ ( $\Omega$ )	$L_{lc}$ ( $\mu\text{H}$ )	$C_{lc}$ (nF)
SE	4	22	680
	6	33	470
	8	47	330
BTL	4	10	1500
	6	15	1000
	8	22	680

### 14.4 Single-ended capacitor

The SE capacitor forms a high-pass filter with the speaker impedance. So the frequency response will roll-off with 20 dB per decade below  $f_{-3dB}$  (3 dB cut-off frequency).



The 3 dB cut-off frequency is equal to:

$$f_{-3dB} = \frac{1}{2\pi \times R_L \times C_{se}} \tag{7}$$

Where:

$f_{-3dB}$  = 3 dB cut-off frequency (Hz)

$R_L$  = load impedance ( $\Omega$ )

$C_{se}$  = single-ended capacitance (F); see [Figure 36](#)

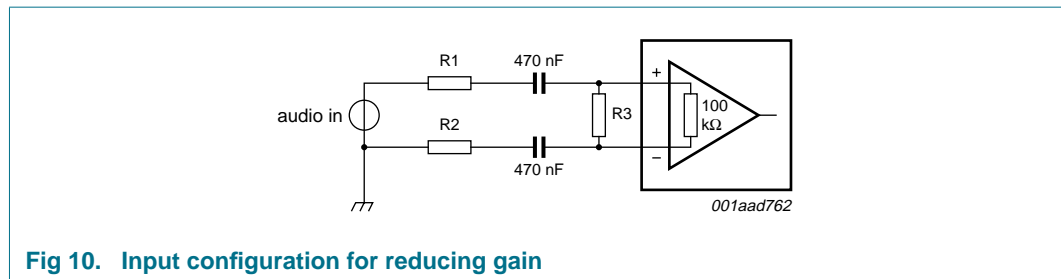
[Table 15](#) shows an overview of the required SE capacitor values in case of 60 Hz, 40 Hz or 20 Hz 3 dB cut-off frequency.

**Table 15. SE capacitor values**

Impedance ( $\Omega$ )	Cse ( $\mu$ F)		
	$f_{-3dB} = 60$ Hz	$f_{-3dB} = 40$ Hz	$f_{-3dB} = 20$ Hz
4	680	1000	2200
6	470	680	1500
8	330	470	1000

### 14.5 Gain reduction

The gain of the TDA8932B is internally fixed at 30 dB for SE (or 36 dB for BTL). The gain can be reduced by a resistive voltage divider at the input (see [Figure 10](#)).



**Fig 10. Input configuration for reducing gain**

When applying a resistive divider, the total closed-loop gain  $G_{V(tot)}$  can be calculated by [Equation 8](#) and [Equation 9](#):

$$G_{V(tot)} = G_{V(cl)} + 20 \log \left[ \frac{R_{EQ}}{R_{EQ} + (R1 + R2)} \right] \tag{8}$$

Where:

$G_{V(tot)}$  = total closed-loop voltage gain (dB)

$G_{V(cl)}$  = closed-loop voltage gain, fixed at 30 dB for SE (dB)

$R_{EQ}$  = equivalent resistance,  $R3$  and  $Z_i$  ( $\Omega$ )

$R1$  = series resistor ( $\Omega$ )

$R2$  = series resistor ( $\Omega$ )

$$R_{EQ} = \frac{R3 \times Z_i}{R3 + Z_i} \tag{9}$$

Where:

$R_{EQ}$  = equivalent resistance ( $\Omega$ )

$R3$  = parallel resistor ( $\Omega$ )

$Z_i$  = internal input impedance ( $\Omega$ )

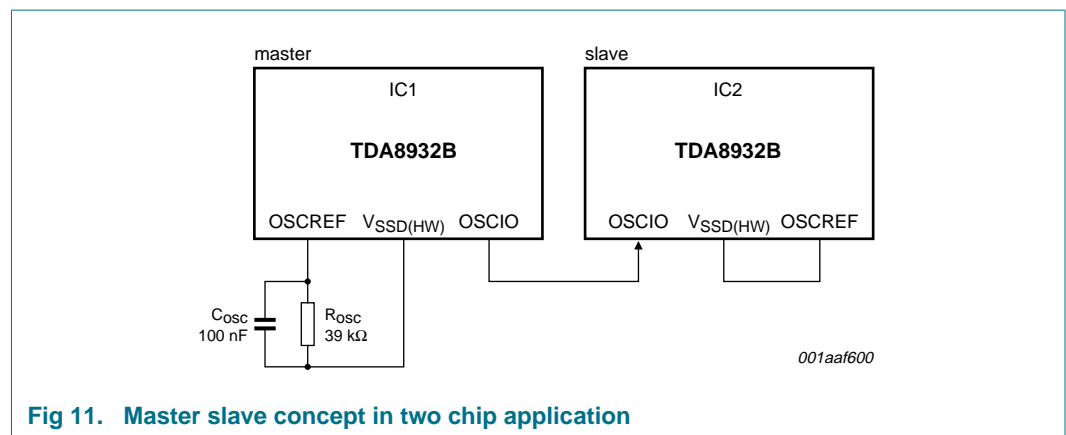
**Example:**

Substituting  $R1 = R2 = 4.7 \text{ k}\Omega$ ,  $Z_i = 100 \text{ k}\Omega$  and  $R3 = 22 \text{ k}\Omega$  in [Equation 8](#) and [Equation 9](#) results in a gain of  $G_{v(\text{tot})} = 26.3 \text{ dB}$ .

**14.6 Device synchronization**

If two or more TDA8932B devices are used in one application it is recommended that all devices are synchronized running at the same switching frequency to avoid beat tones. Synchronization can be realized by connecting all OSCIO pins together and configuring one of the TDA8932B devices as master, while the other TDA8932B devices are configured as slaves (see [Figure 11](#)).

A device is configured as master when connecting a resistor between pins OSCREF and  $V_{SSD(HW)}$  setting the carrier frequency. Pin OSCIO of the master is then configured as an oscillator output for synchronization. The OSCREF pins of the slave devices should be shorted to  $V_{SSD(HW)}$  configuring pin OSCIO as an input.



**Fig 11. Master slave concept in two chip application**

**14.7 Thermal behavior (printed-circuit board considerations)**

The TDA8932B is available in two different thermally enhanced packages:

TDA8932BT in a SO32 (SOT287-1) package for reflow and wave solder process

TDA8932BTW in an HTSSOP32 (SOT549-1) package for reflow solder process only

The SO32 package has special thermal corner-leads, increasing the power capability (reducing the overall  $R_{th(j-a)}$ ). To benefit from the corner leads pins  $V_{SSD(HW)}$  (pins 1, 16, 17 and 32) should be attached to a copper plane. The SO32 package is very suitable for applications with limited space for a thermal plane (in a single layer PCB design).

The HTSSOP32 package has an exposed die-pad that reduces significantly the overall  $R_{th(j-a)}$ . Therefore it is required to solder the exposed die-pad (at  $V_{SSD}$  level) to a copper plane for cooling. The HTSSOP package will have a low thermal resistance when used on a multi-layer PCB with sufficient space for one or two thermal planes.

Increasing the area of the thermal plane, the number of planes or the copper thickness can reduce further the thermal resistance  $R_{th(j-a)}$  of both packages.

Typical thermal resistance  $R_{th(j-a)}$  of the SO32 package soldered at a small 2-layer application board (55 mm × 45 mm), 35 μm copper, FR4 base material is 44 K/W.

Typical thermal resistance  $R_{th(j-a)}$  of the HTSSOP32 package soldered at a small 2-layer application board (55 mm × 40 mm), 35 μm copper, FR4 base material is 48 K/W.

[Equation 10](#) shows the relation between the maximum allowable power dissipation  $P$  and the thermal resistance from junction to ambient.

$$R_{th(j-a)} = \frac{T_{j(max)} - T_{amb}}{P} \quad (10)$$

Where:

$R_{th(j-a)}$  = thermal resistance from junction to ambient

$T_{j(max)}$  = maximum junction temperature

$T_{amb}$  = ambient temperature

$P$  = power dissipation which is determined by the efficiency of the TDA8932B

The power dissipation is shown in [Figure 22](#) (SE) and [Figure 34](#) (BTL).

The thermal foldback will limit the maximum junction temperature to 140 °C.

## 14.8 Pumping effects

When the amplifier is used in a SE configuration, a so-called 'pumping effect' can occur. During one switching interval, energy is taken from one supply (e.g.  $V_{DDP1}$ ), while a part of that energy is delivered back to the other supply line (e.g.  $V_{SSP1}$ ) and visa versa. When the power supply cannot sink energy, the voltage across the output capacitors of that power supply will increase.

The voltage increase caused by the pumping effect depends on:

- Speaker impedance
- Supply voltage
- Audio signal frequency
- Value of decoupling capacitors on supply lines
- Source and sink currents of other channels

The pumping effect should not cause a malfunction of either the audio amplifier and/or the power supply. For instance, this malfunction can be caused by triggering of the undervoltage or overvoltage protection of the amplifier.

Pumping effects in a SE configuration can be minimized by connecting audio inputs in anti-phase and changing the polarity of one speaker. This is illustrated in [Figure 12](#).

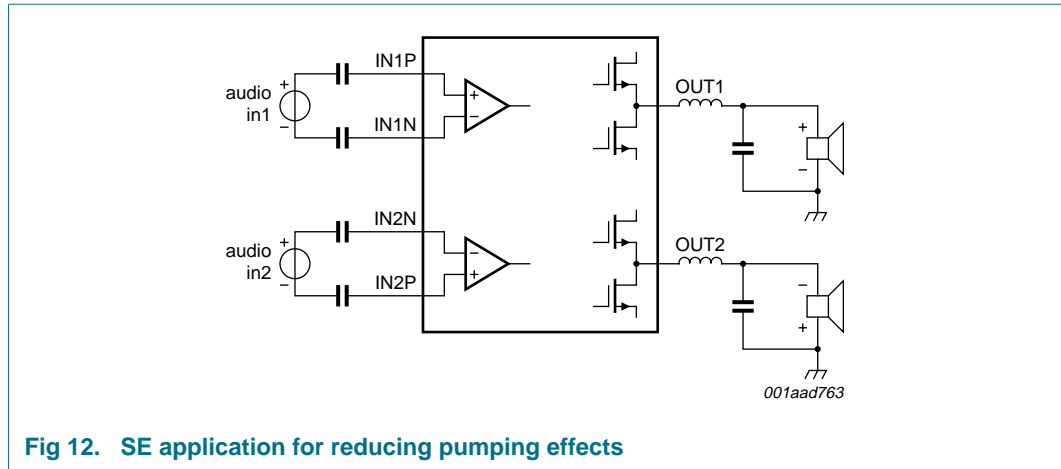
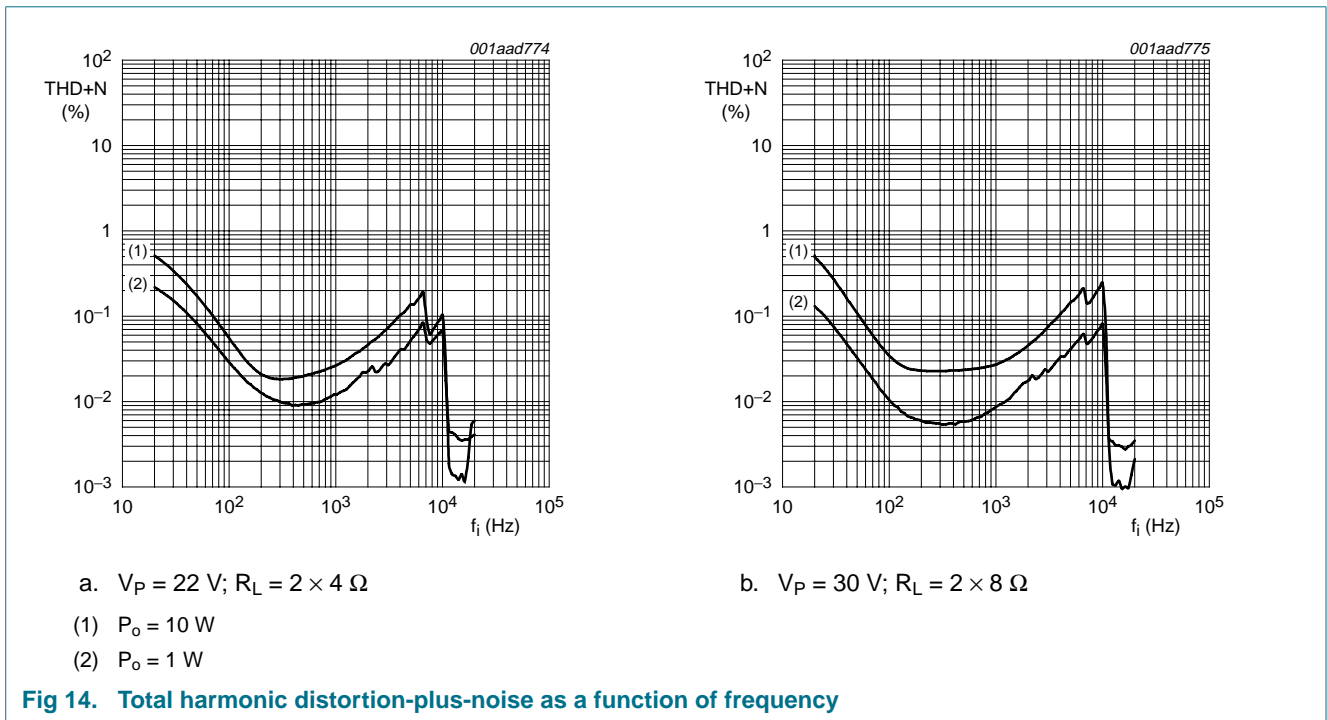
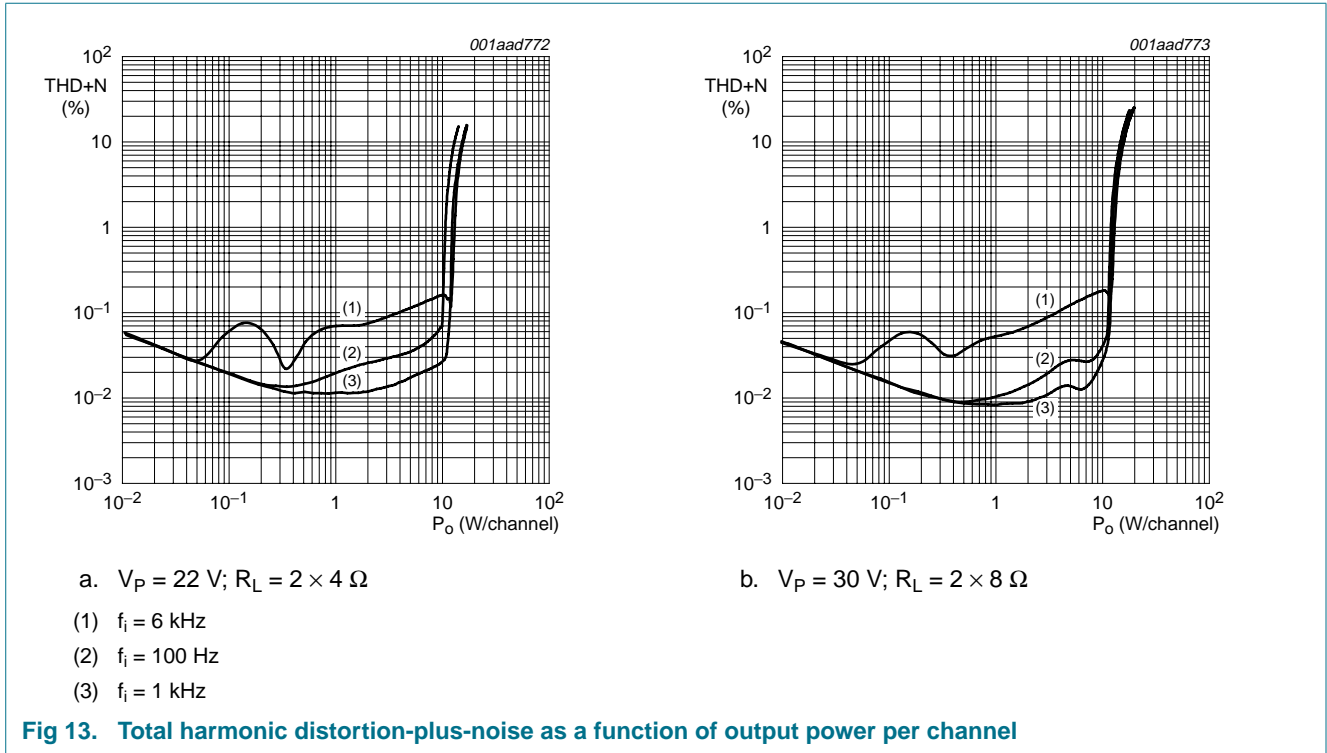
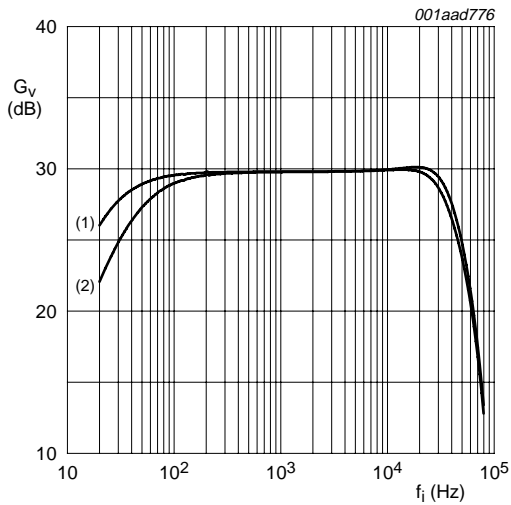


Fig 12. SE application for reducing pumping effects

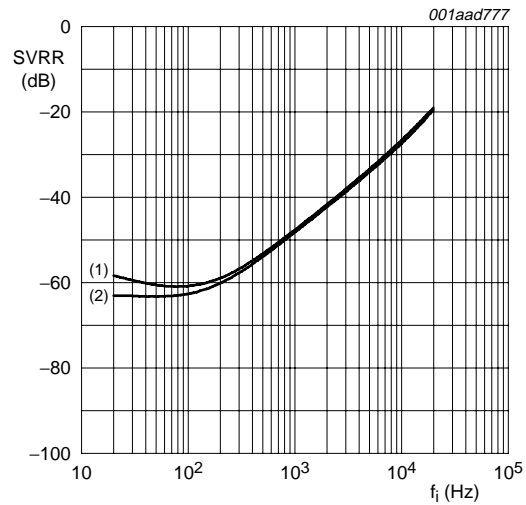
14.9 SE curves measured in reference design





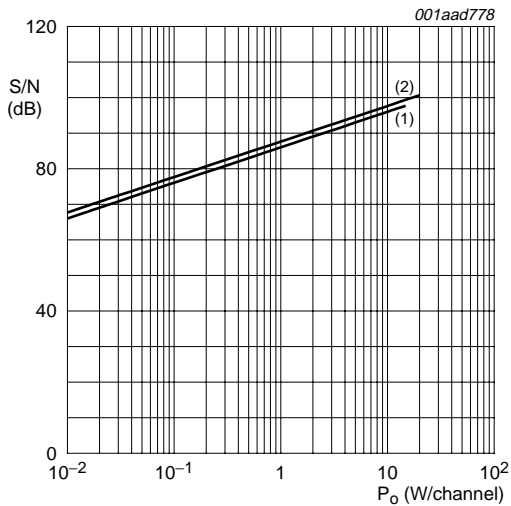
$V_i = 100 \text{ mV (RMS)}$ ;  $R_i = 0 \ \Omega$ ;  $C_{se} = 1000 \ \mu\text{F}$   
 (1)  $V_P = 30 \text{ V}$ ;  $R_L = 2 \times 8 \ \Omega$   
 (2)  $V_P = 22 \text{ V}$ ;  $R_L = 2 \times 4 \ \Omega$

**Fig 15. Gain as a function of frequency**



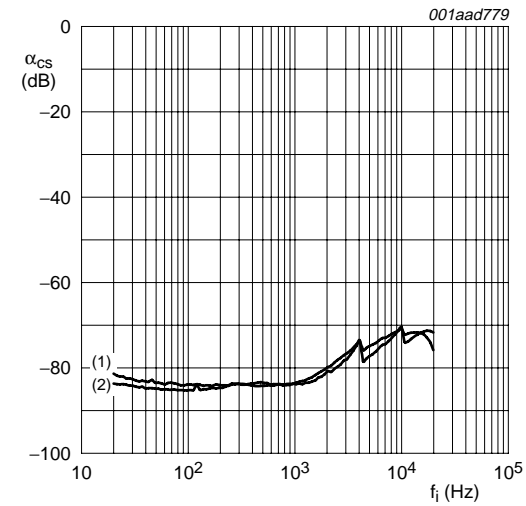
$V_{ripple} = 500 \text{ mV (RMS)}$  referenced to ground;  $R_i = 0 \ \Omega$  (shorted input)  
 (1)  $V_P = 30 \text{ V}$ ;  $R_L = 2 \times 8 \ \Omega$   
 (2)  $V_P = 22 \text{ V}$ ;  $R_L = 2 \times 4 \ \Omega$

**Fig 16. Supply voltage ripple rejection as a function of frequency**



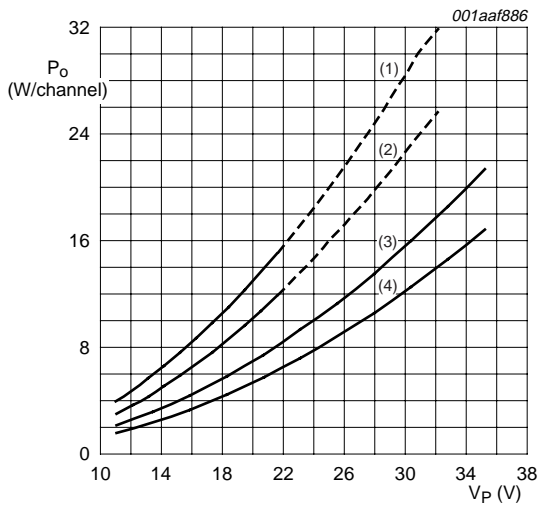
$R_i = 0 \ \Omega$ ; 20 kHz brick-wall filter AES17  
 (1)  $V_P = 22 \text{ V}$ ;  $R_L = 2 \times 4 \ \Omega$   
 (2)  $V_P = 30 \text{ V}$ ;  $R_L = 2 \times 8 \ \Omega$

**Fig 17. Signal-to-noise ratio as a function of output power per channel**



$P_o = 1 \text{ W}$ ;  $C_{HVPREF} = 47 \ \mu\text{F}$   
 (1)  $V_P = 22 \text{ V}$ ;  $R_L = 2 \times 4 \ \Omega$   
 (2)  $V_P = 30 \text{ V}$ ;  $R_L = 2 \times 8 \ \Omega$

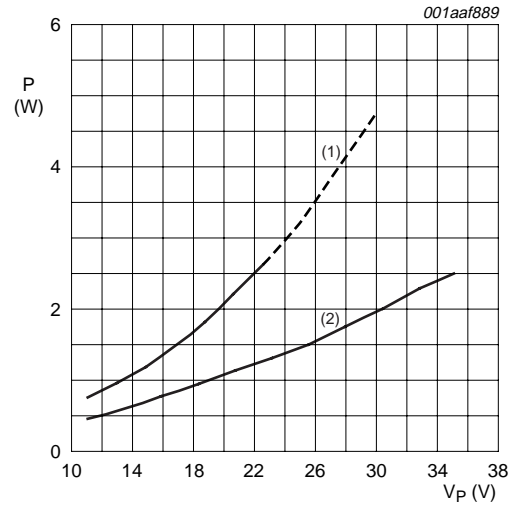
**Fig 18. Channel separation as a function of frequency**



$f_i = 1$  kHz (short time  $P_{O}$ ); dashed line will require heat sink for continuous time output power

- (1)  $R_L = 2 \times 4 \Omega$ ; THD+N = 10 %
- (2)  $R_L = 2 \times 4 \Omega$ ; THD+N = 0.5 %
- (3)  $R_L = 2 \times 8 \Omega$ ; THD+N = 10 %
- (4)  $R_L = 2 \times 8 \Omega$ ; THD+N = 0.5 %

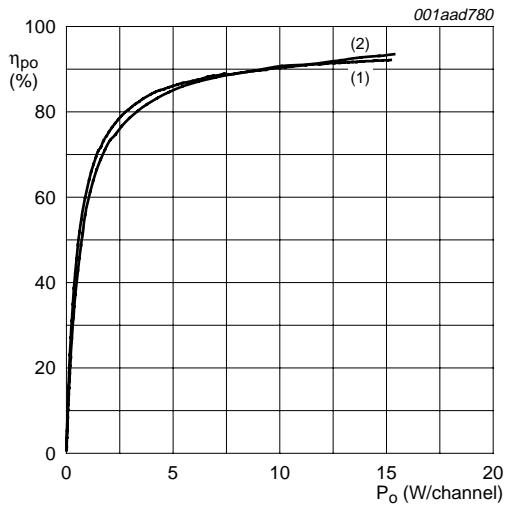
**Fig 19. Output power per channel as a function of supply voltage**



$f_i = 1$  kHz; power dissipation in junction only; short time  $P_o$  at THD+N = 10 %; dashed line will require heat sink for continuous time output power

- (1)  $R_L = 2 \times 4 \Omega$
- (2)  $R_L = 2 \times 8 \Omega$

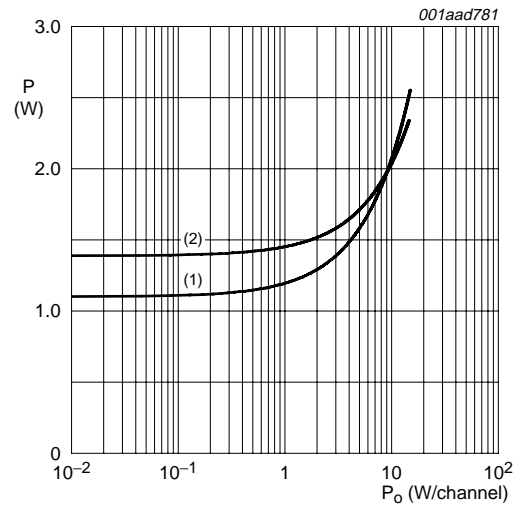
**Fig 20. Power dissipation as a function of supply voltage**



$f_i = 1$  kHz;  $\eta_{PO} = \frac{2 \times P_o}{2 \times P_o + P}$

- (1)  $V_P = 22$  V;  $R_L = 2 \times 4 \Omega$
- (2)  $V_P = 30$  V;  $R_L = 2 \times 8 \Omega$

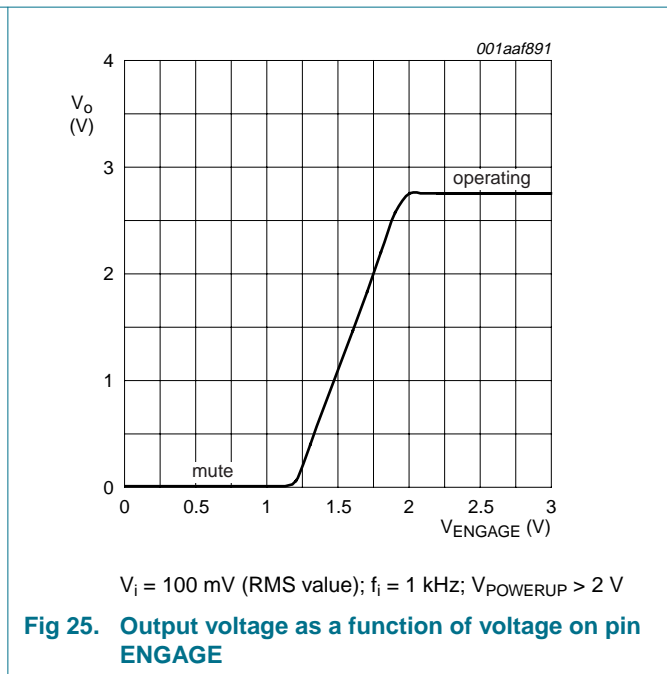
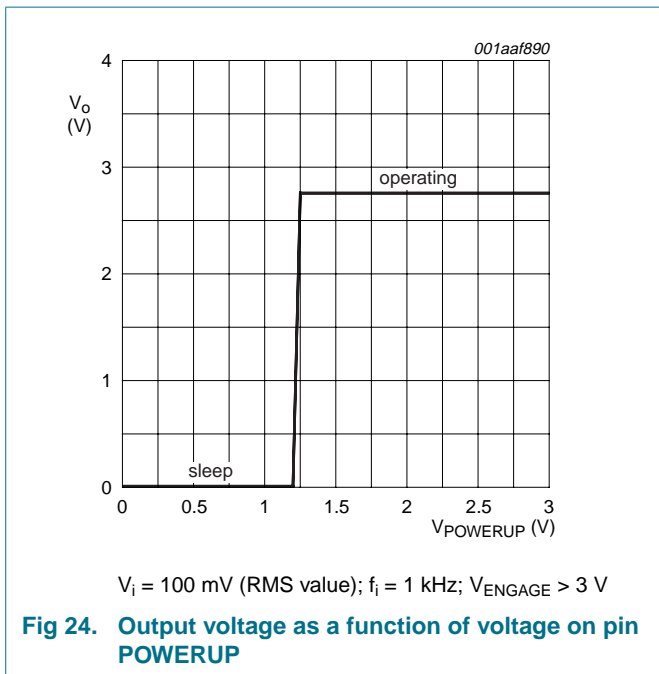
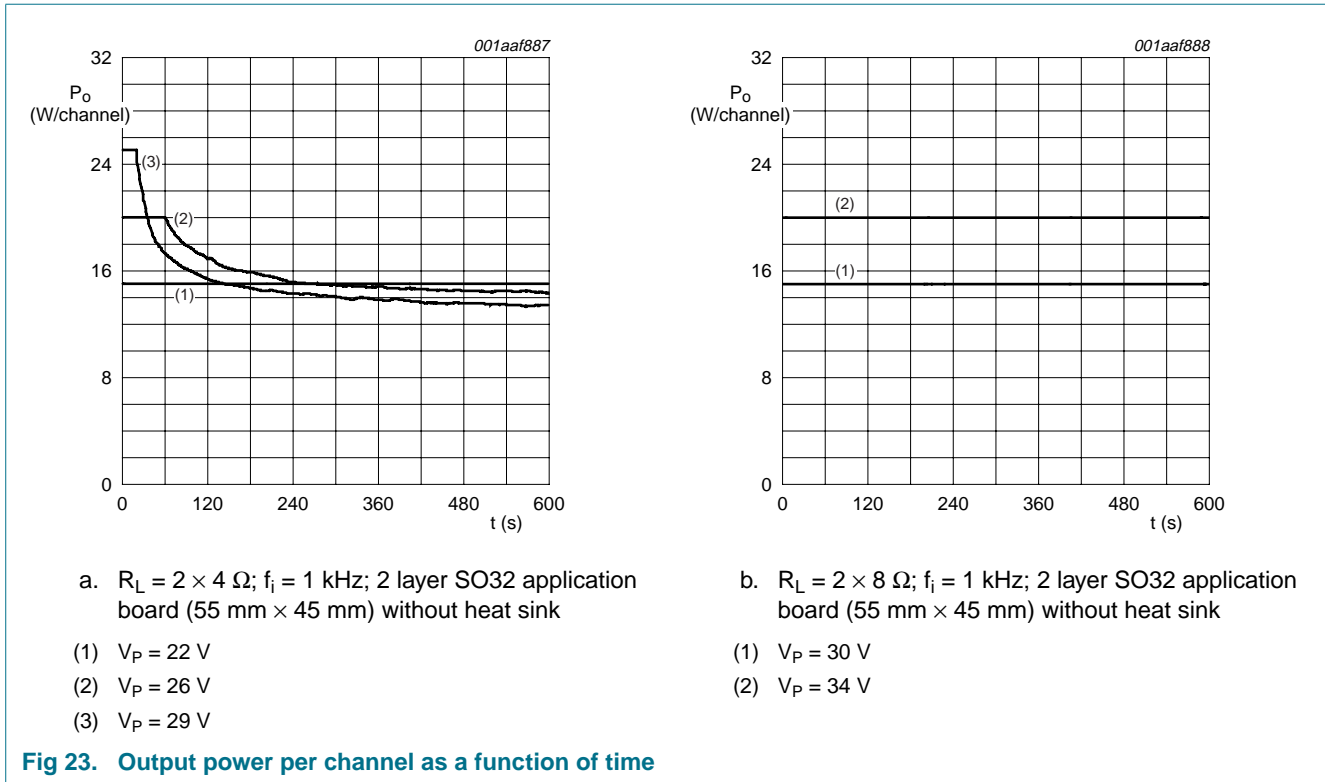
**Fig 21. Output power efficiency as a function of output power per channel**



$f_i = 1$  kHz; power dissipation in junction only

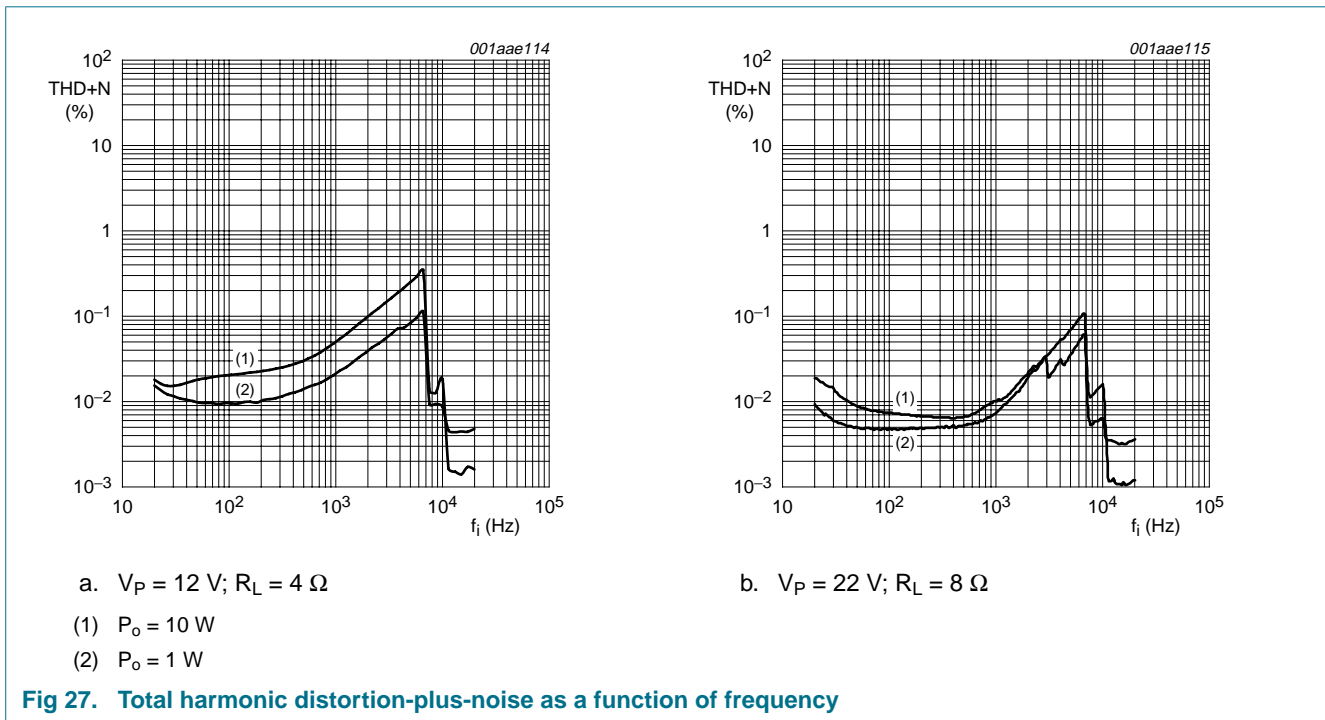
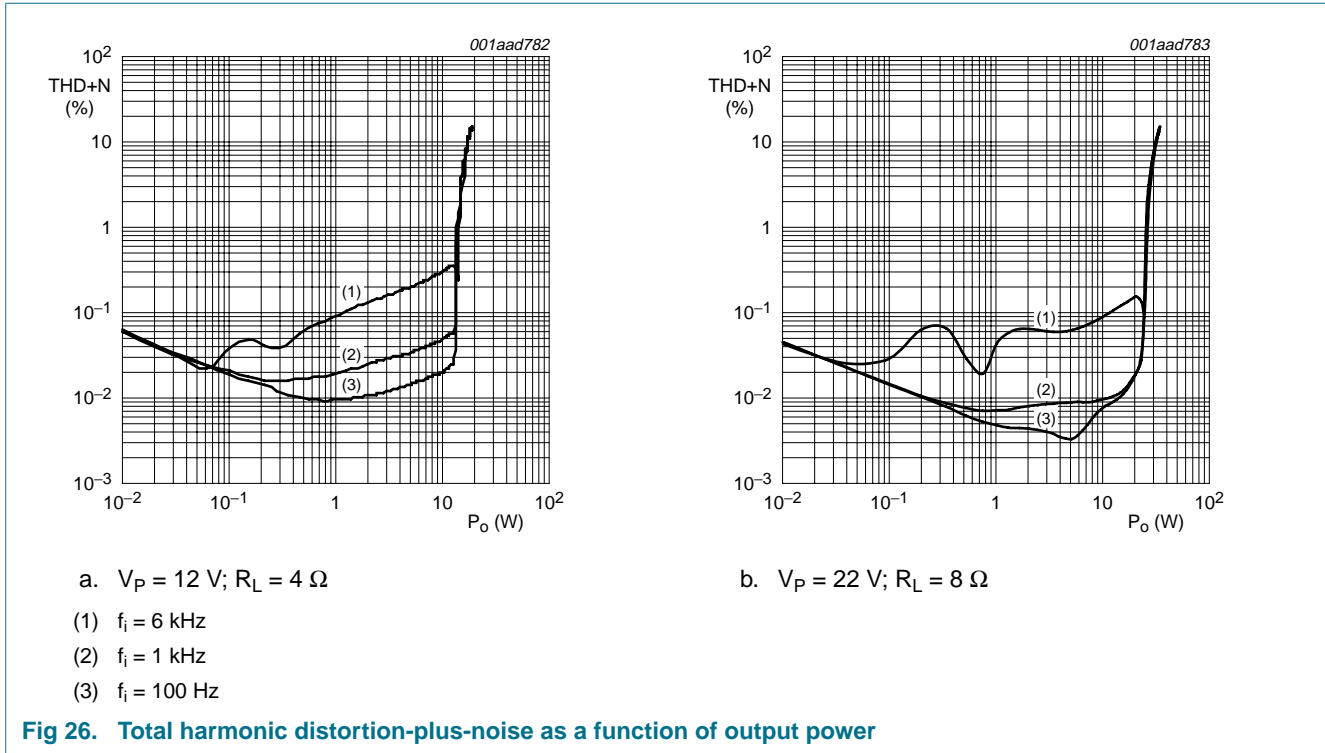
- (1)  $V_P = 22$  V;  $R_L = 2 \times 4 \Omega$
- (2)  $V_P = 30$  V;  $R_L = 2 \times 8 \Omega$

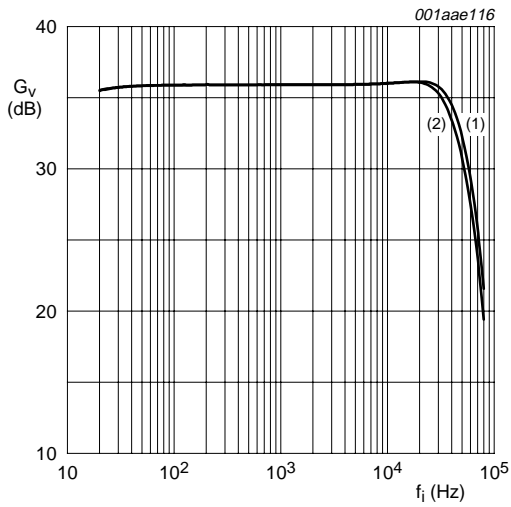
**Fig 22. Power dissipation as a function of output power per channel (two channels driven)**





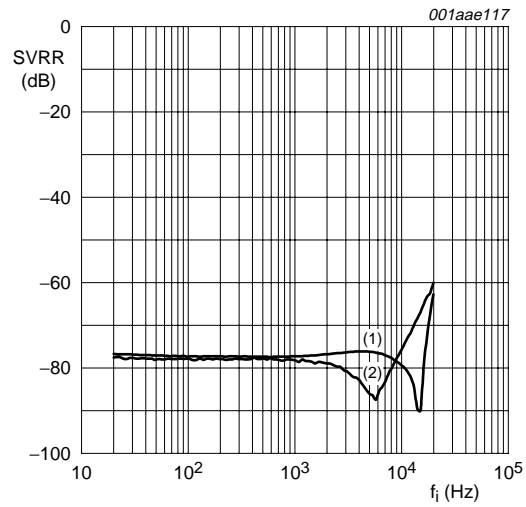
14.10 BTL curves measured in reference design





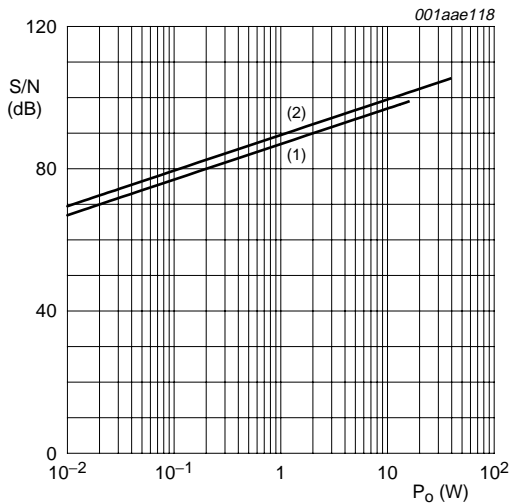
$V_i = 100 \text{ mV (RMS)}$ ;  $R_i = 0 \Omega$   
 (1)  $V_P = 12 \text{ V}$ ;  $R_L = 4 \Omega$   
 (2)  $V_P = 22 \text{ V}$ ;  $R_L = 8 \Omega$

**Fig 28. Gain as a function of frequency**



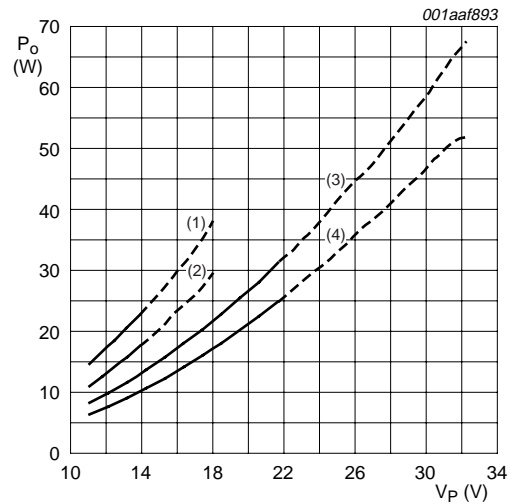
$V_{\text{ripple}} = 500 \text{ mV (RMS)}$  referenced to ground;  $R_i = 0 \Omega$  (shorted input)  
 (1)  $V_P = 22 \text{ V}$ ;  $R_L = 8 \Omega$   
 (2)  $V_P = 12 \text{ V}$ ;  $R_L = 4 \Omega$

**Fig 29. Supply voltage ripple rejection as a function of frequency**



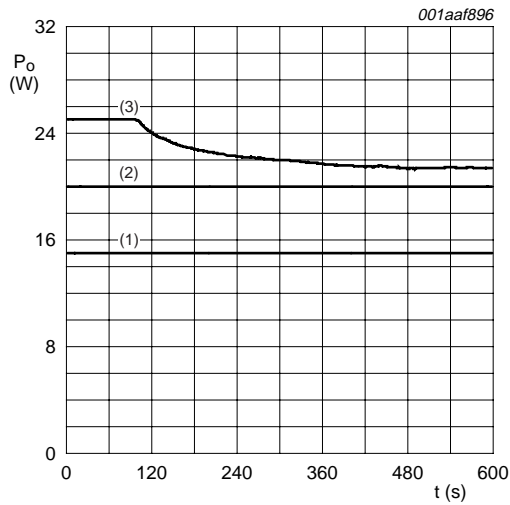
$R_i = 0 \Omega$ ; 20 kHz brick-wall filter AES17  
 (1)  $R_L = 4 \Omega$ ;  $V_P = 12 \text{ V}$   
 (2)  $R_L = 8 \Omega$ ;  $V_P = 22 \text{ V}$

**Fig 30. Signal-to-noise ratio as a function of output power**



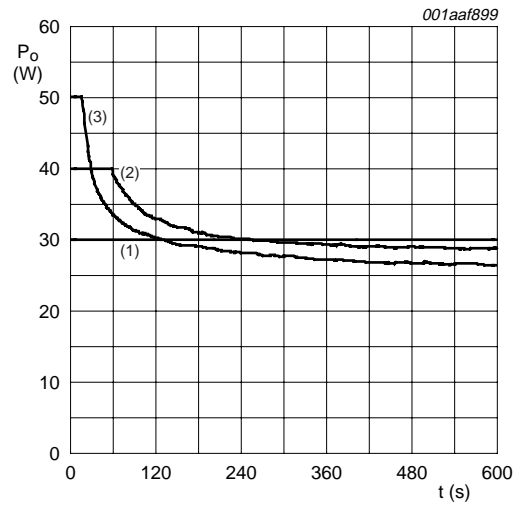
$f_i = 1 \text{ kHz}$  (short time  $P_o$ ); dashed line will require heat sink for continuous time output power  
 (1)  $R_L = 4 \Omega$ ; THD+N = 10 %  
 (2)  $R_L = 4 \Omega$ ; THD+N = 0.5 %  
 (3)  $R_L = 8 \Omega$ ; THD+N = 10 %  
 (4)  $R_L = 8 \Omega$ ; THD+N = 0.5 %

**Fig 31. Output power as a function of supply voltage**



a.  $R_L = 4 \Omega$ ;  $f_i = 1 \text{ kHz}$ ; 2 layer SO32 application board (55 mm × 45 mm) without heat sink

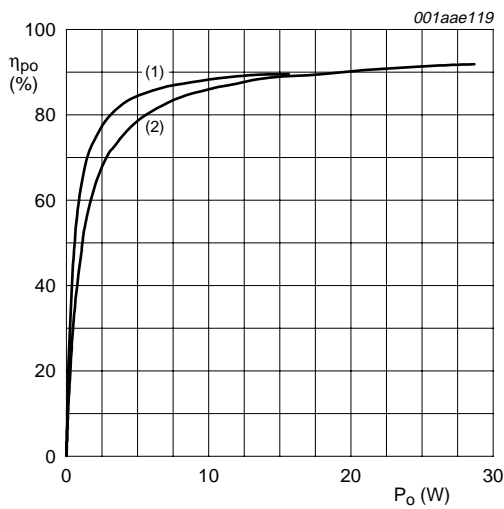
- (1)  $V_P = 12 \text{ V}$
- (2)  $V_P = 13.5 \text{ V}$
- (3)  $V_P = 15 \text{ V}$



b.  $R_L = 8 \Omega$ ;  $f_i = 1 \text{ kHz}$ ; 2 layer SO32 application board (55 mm × 45 mm) without heat sink

- (1)  $V_P = 22 \text{ V}$
- (2)  $V_P = 26 \text{ V}$
- (3)  $V_P = 29 \text{ V}$

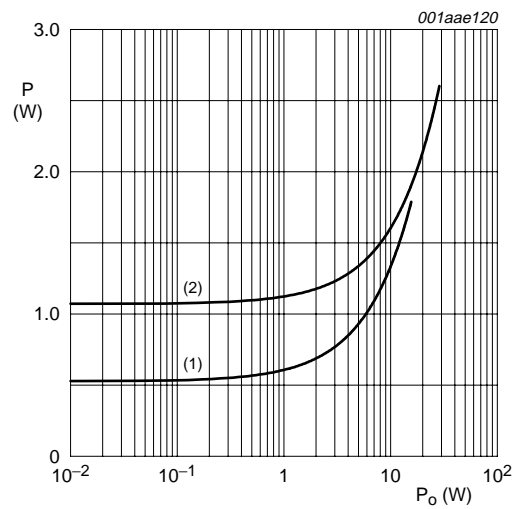
Fig 32. Output power as a function of time



$$f_i = 1 \text{ kHz}; \eta_{PO} = \frac{P_o}{(P_o + p)}$$

- (1)  $V_P = 12 \text{ V}; R_L = 4 \Omega$
- (2)  $V_P = 22 \text{ V}; R_L = 8 \Omega$

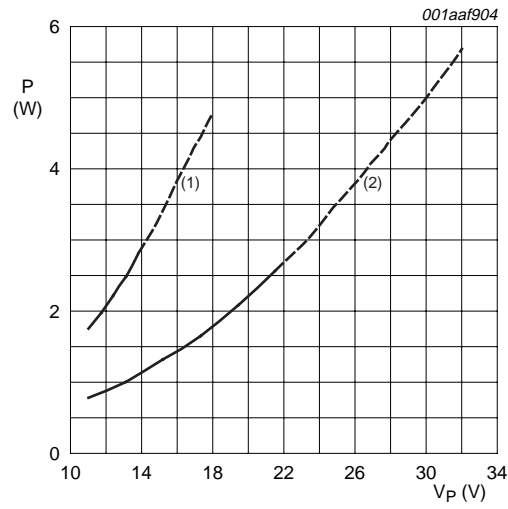
Fig 33. Output power efficiency as a function of output power



$f_i = 1 \text{ kHz}$ ; power dissipation in junction only

- (1)  $V_P = 12 \text{ V}; R_L = 4 \Omega$
- (2)  $V_P = 22 \text{ V}; R_L = 8 \Omega$

Fig 34. Power dissipation as a function of output power

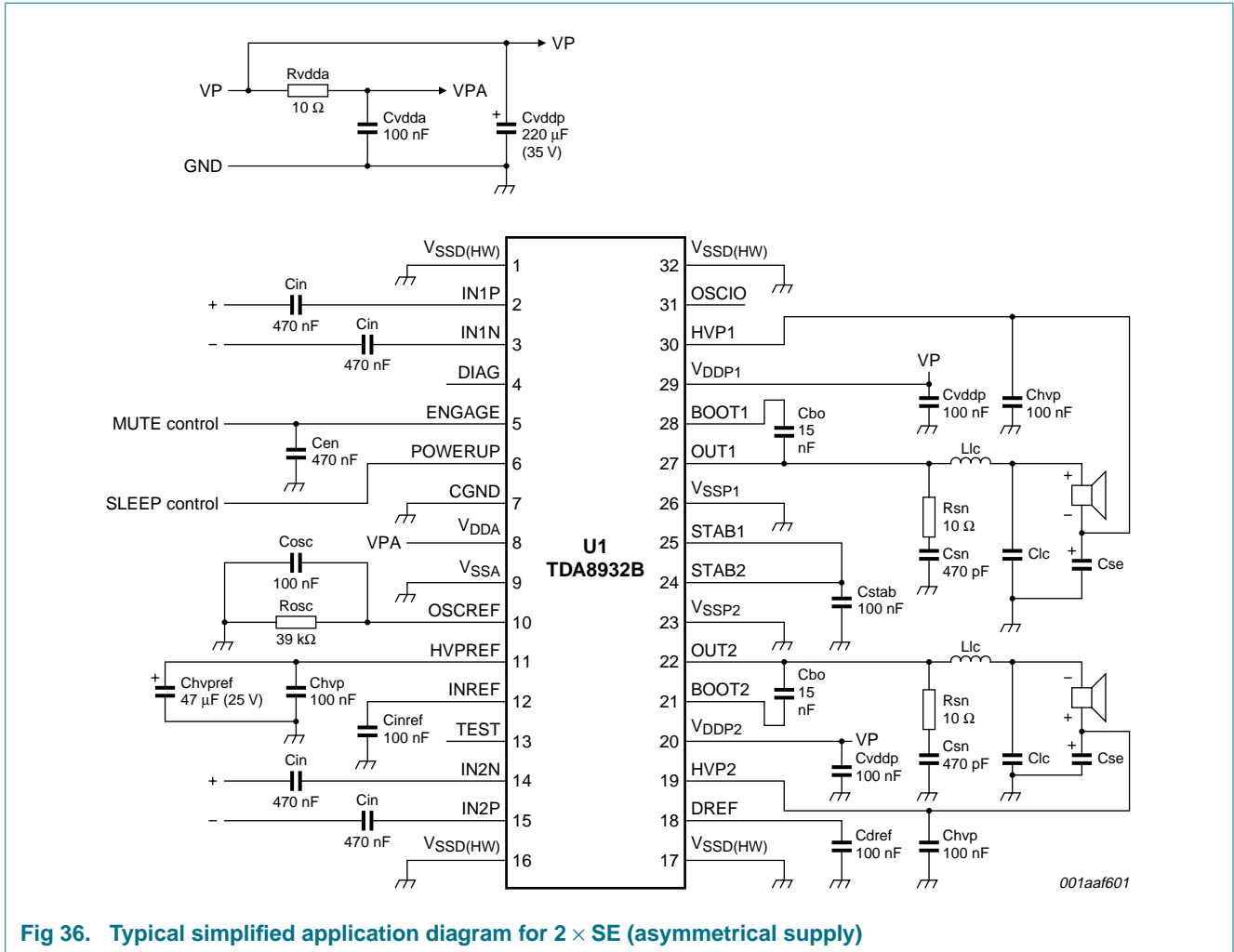


f<sub>i</sub> = 1 kHz; power dissipation in junction only; short time P<sub>o</sub> at THD+N = 10 %; dashed line will require heat sink for continuous time output power

- (1) R<sub>L</sub> = 4 Ω
- (2) R<sub>L</sub> = 8 Ω

**Fig 35. Power dissipation as a function of supply voltage**

14.11 Typical application schematics (simplified)



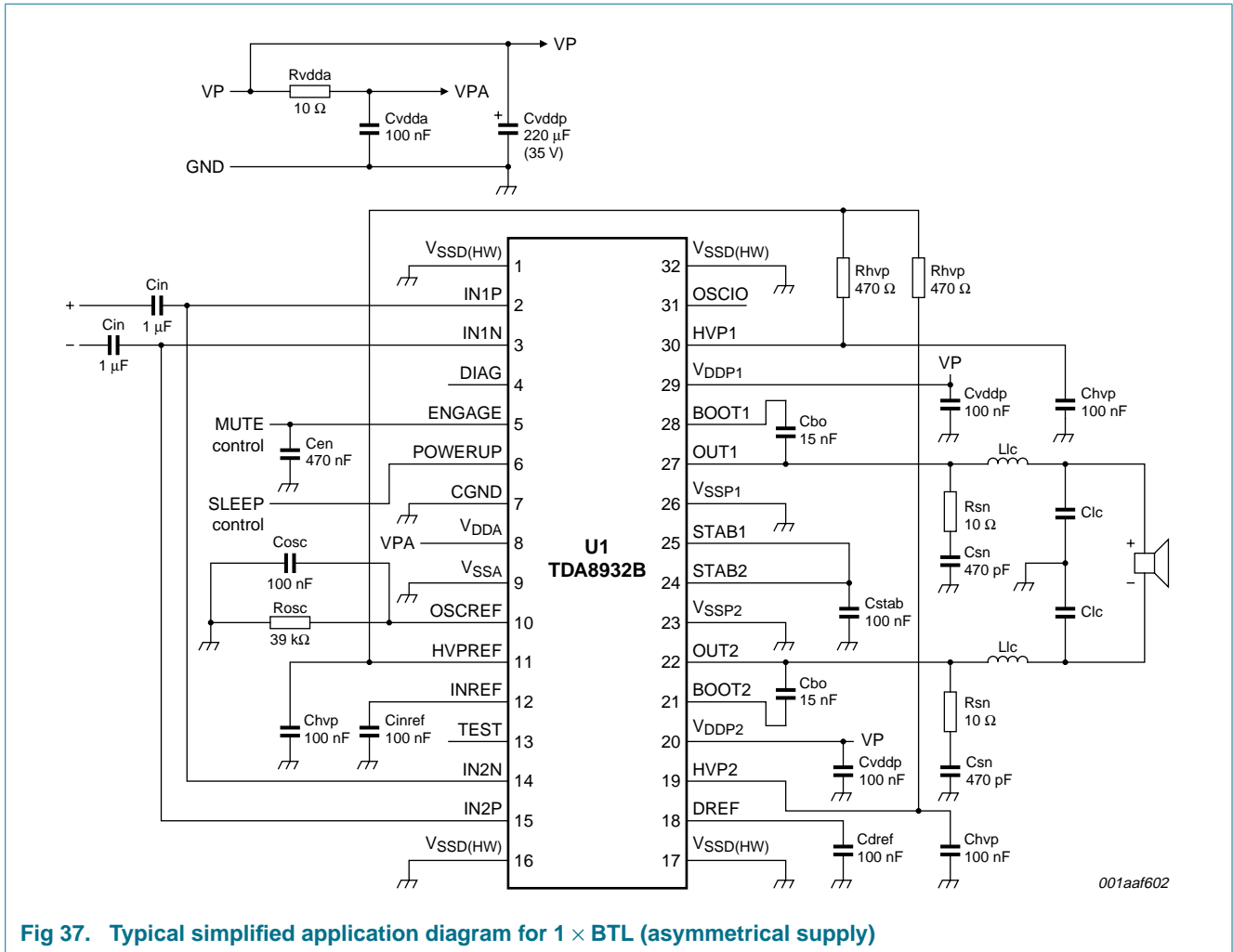
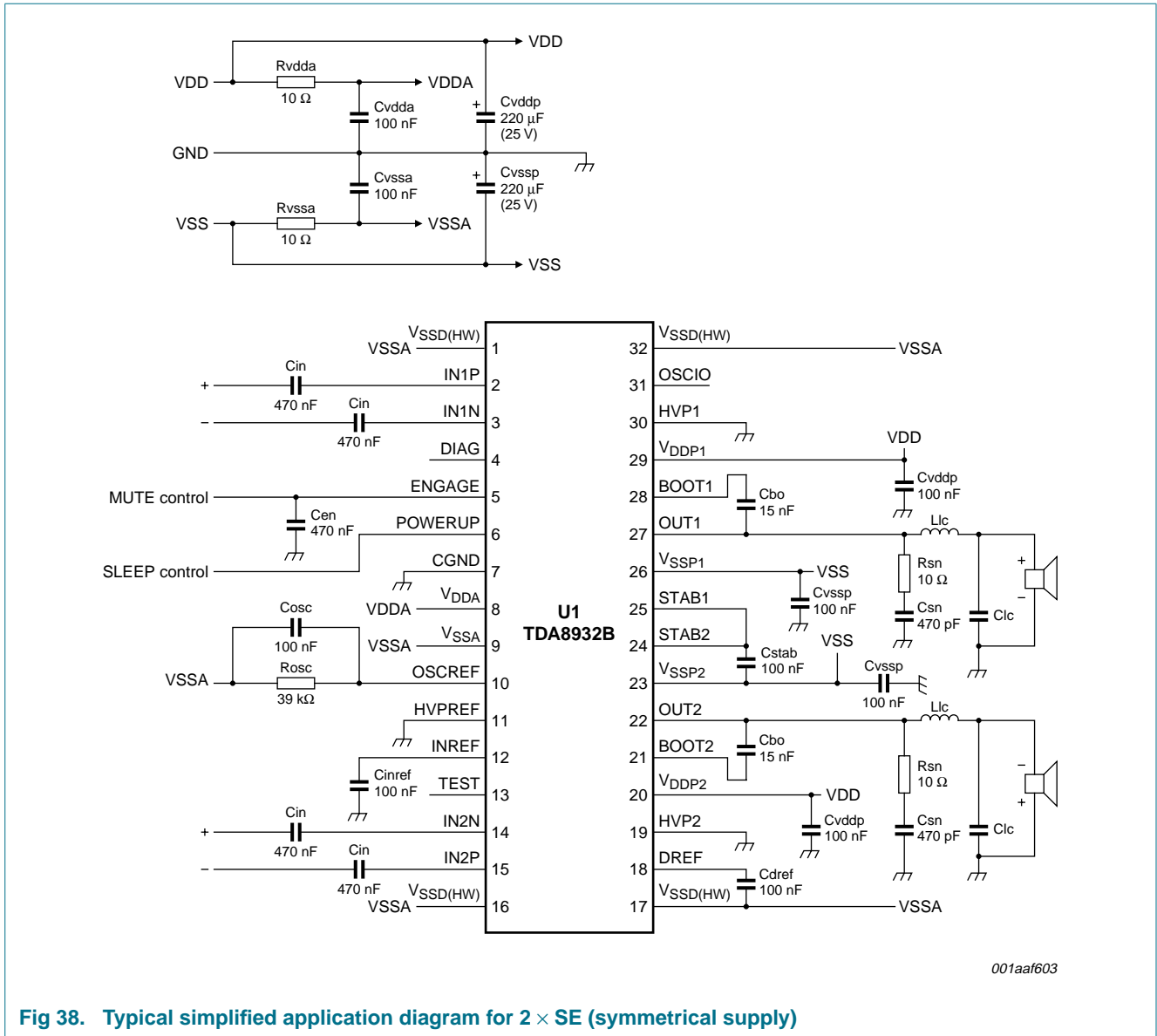


Fig 37. Typical simplified application diagram for 1 x BTL (asymmetrical supply)



001aaf603

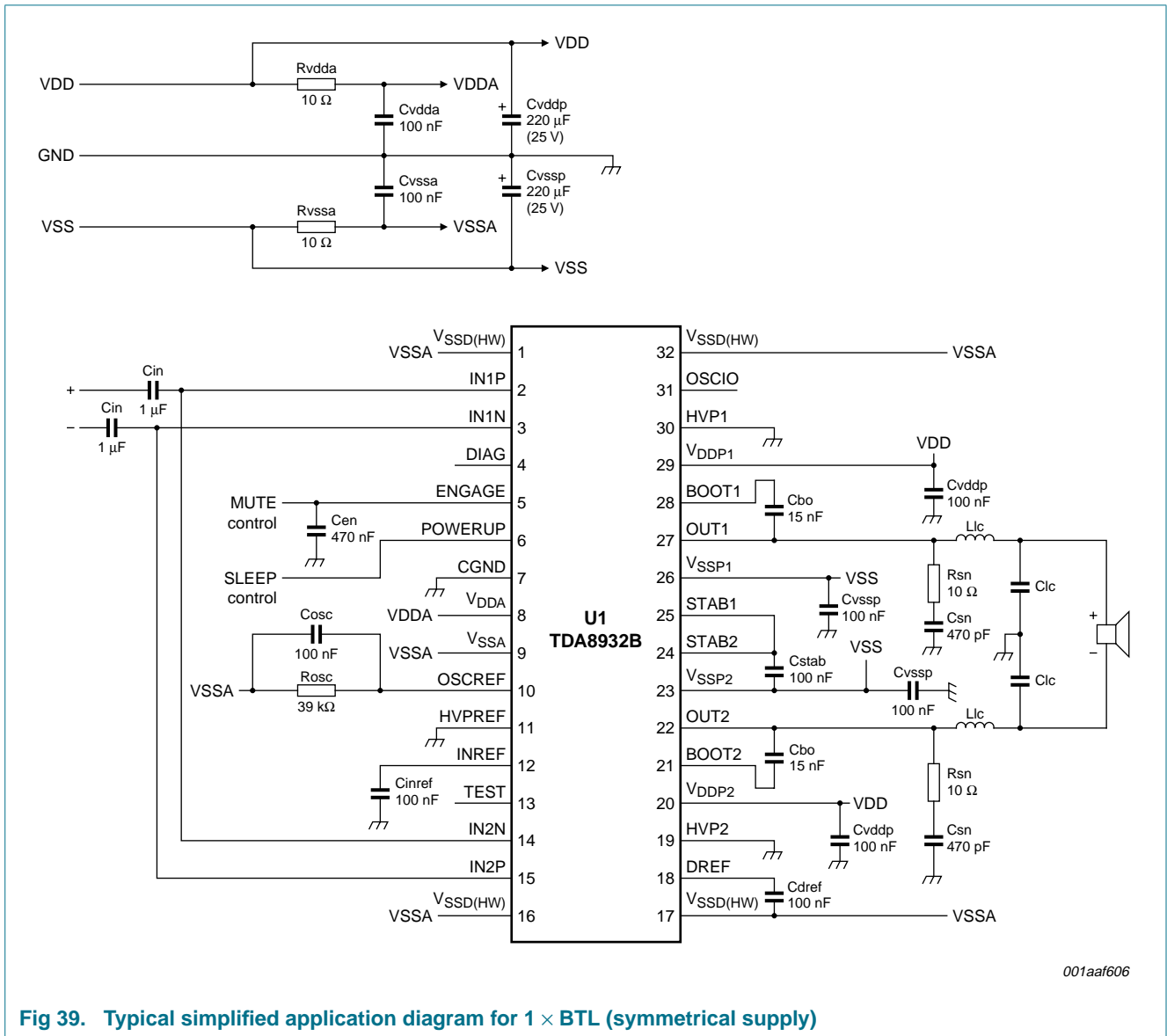


Fig 39. Typical simplified application diagram for 1 x BTL (symmetrical supply)



15. Package outline

SO32: plastic small outline package; 32 leads; body width 7.5 mm

SOT287-1

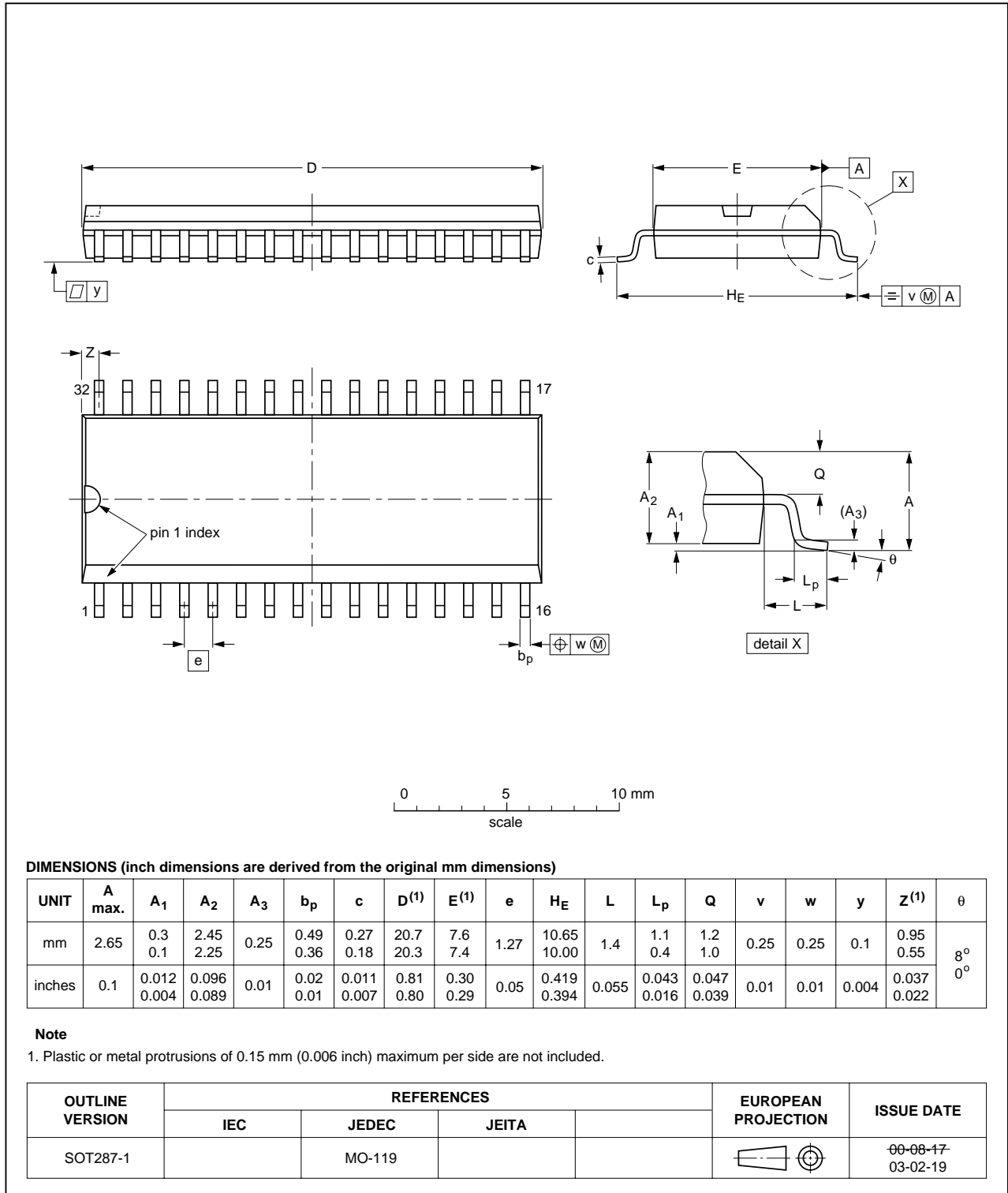


Fig 40. Package outline SOT287-1 (SO32)

HTSSOP32: plastic thermal enhanced thin shrink small outline package; 32 leads; body width 6.1 mm; lead pitch 0.65 mm; exposed die pad

SOT549-1

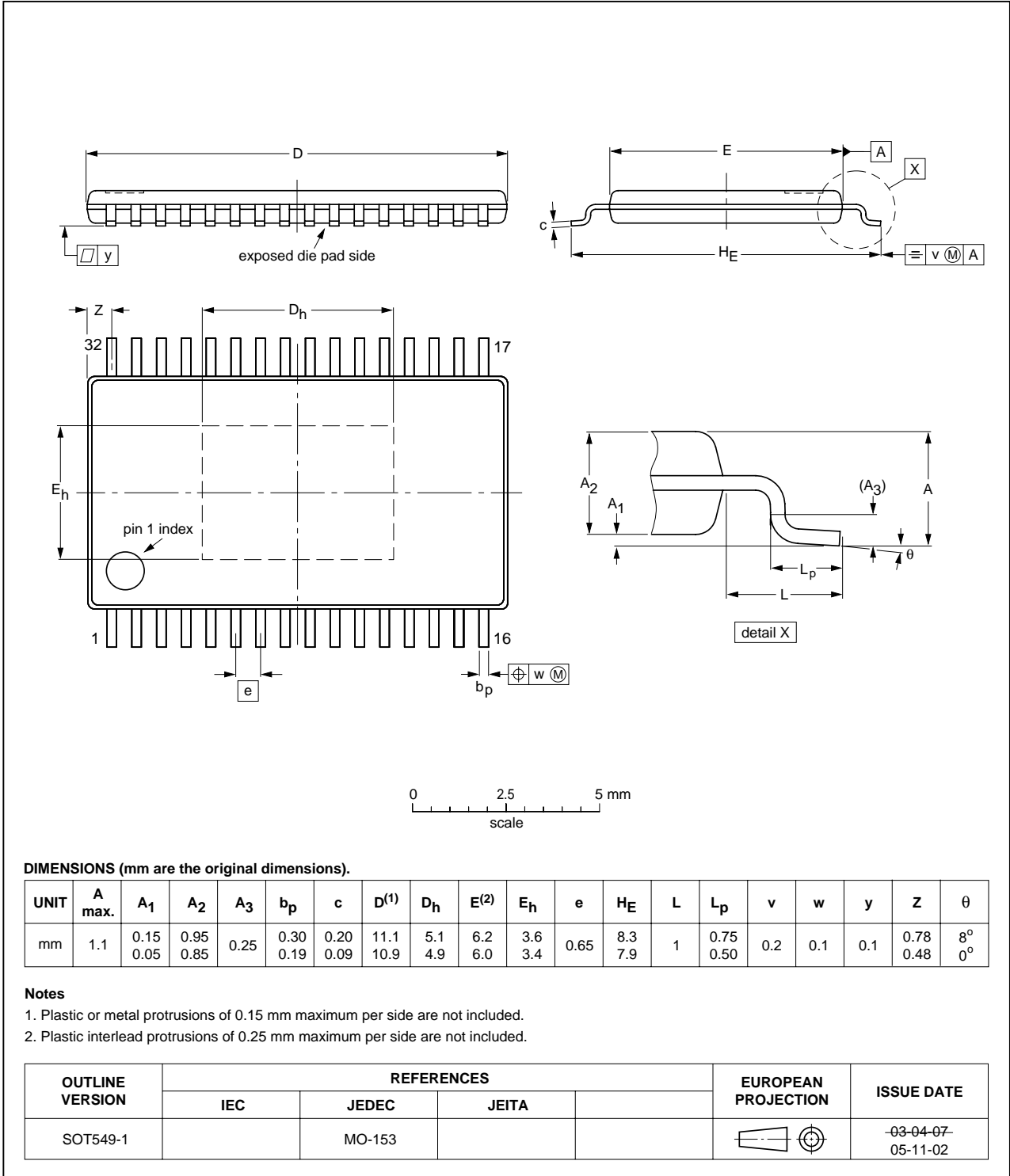


Fig 41. Package outline SOT549-1 (HTSSOP32)

## 16. Soldering of SMD packages

This text provides a very brief insight into a complex technology. A more in-depth account of soldering ICs can be found in Application Note *AN10365 "Surface mount reflow soldering description"*.

### 16.1 Introduction to soldering

Soldering is one of the most common methods through which packages are attached to Printed Circuit Boards (PCBs), to form electrical circuits. The soldered joint provides both the mechanical and the electrical connection. There is no single soldering method that is ideal for all IC packages. Wave soldering is often preferred when through-hole and Surface Mount Devices (SMDs) are mixed on one printed wiring board; however, it is not suitable for fine pitch SMDs. Reflow soldering is ideal for the small pitches and high densities that come with increased miniaturization.

### 16.2 Wave and reflow soldering

Wave soldering is a joining technology in which the joints are made by solder coming from a standing wave of liquid solder. The wave soldering process is suitable for the following:

- Through-hole components
- Leaded or leadless SMDs, which are glued to the surface of the printed circuit board

Not all SMDs can be wave soldered. Packages with solder balls, and some leadless packages which have solder lands underneath the body, cannot be wave soldered. Also, leaded SMDs with leads having a pitch smaller than ~0.6 mm cannot be wave soldered, due to an increased probability of bridging.

The reflow soldering process involves applying solder paste to a board, followed by component placement and exposure to a temperature profile. Leaded packages, packages with solder balls, and leadless packages are all reflow solderable.

Key characteristics in both wave and reflow soldering are:

- Board specifications, including the board finish, solder masks and vias
- Package footprints, including solder thieves and orientation
- The moisture sensitivity level of the packages
- Package placement
- Inspection and repair
- Lead-free soldering versus SnPb soldering

### 16.3 Wave soldering

Key characteristics in wave soldering are:

- Process issues, such as application of adhesive and flux, clinching of leads, board transport, the solder wave parameters, and the time during which components are exposed to the wave
- Solder bath specifications, including temperature and impurities

### 16.4 Reflow soldering

Key characteristics in reflow soldering are:

- Lead-free versus SnPb soldering; note that a lead-free reflow process usually leads to higher minimum peak temperatures (see [Figure 42](#)) than a SnPb process, thus reducing the process window
- Solder paste printing issues including smearing, release, and adjusting the process window for a mix of large and small components on one board
- Reflow temperature profile; this profile includes preheat, reflow (in which the board is heated to the peak temperature) and cooling down. It is imperative that the peak temperature is high enough for the solder to make reliable solder joints (a solder paste characteristic). In addition, the peak temperature must be low enough that the packages and/or boards are not damaged. The peak temperature of the package depends on package thickness and volume and is classified in accordance with [Table 16](#) and [17](#)

**Table 16. SnPb eutectic process (from J-STD-020C)**

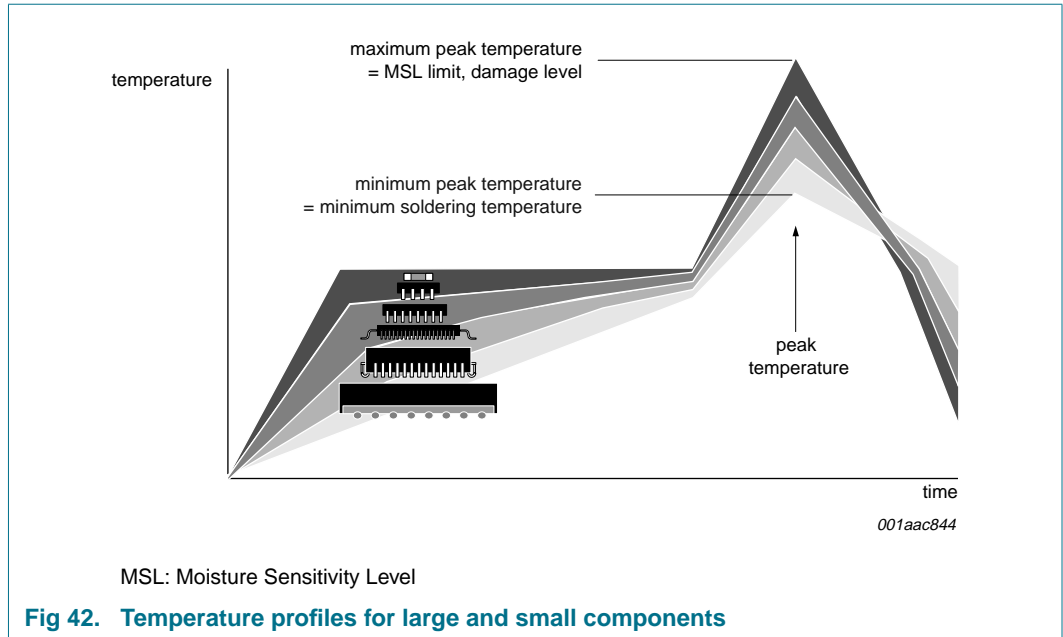
Package thickness (mm)	Package reflow temperature (°C)	
	Volume (mm <sup>3</sup> )	
	< 350	≥ 350
< 2.5	235	220
≥ 2.5	220	220

**Table 17. Lead-free process (from J-STD-020C)**

Package thickness (mm)	Package reflow temperature (°C)		
	Volume (mm <sup>3</sup> )		
	< 350	350 to 2000	> 2000
< 1.6	260	260	260
1.6 to 2.5	260	250	245
> 2.5	250	245	245

Moisture sensitivity precautions, as indicated on the packing, must be respected at all times.

Studies have shown that small packages reach higher temperatures during reflow soldering, see [Figure 42](#).



For further information on temperature profiles, refer to Application Note AN10365 “Surface mount reflow soldering description”.

## 17. Abbreviations

**Table 18. Abbreviations**

Acronym	Description
BTL	Bridge Tied Load
DMOS	Double diffused Metal Oxide Semiconductor
ESD	ElectroStatic Discharge
OCP	OverCurrent Protection
OTP	OverTemperature Protection
OVP	OverVoltage Protection
PWM	Pulse Width Modulation
SE	Single-Ended
TF	Thermal Foldback
UBP	UnBalance Protection
UVP	UnderVoltage Protection
WP	Window Protection

## 18. Revision history

Table 19. Revision history

Document ID	Release date	Data sheet status	Change notice	Supersedes
TDA8932B_4	20081218	Product data sheet	-	TDA8932B_3
Modifications:	• I <sub>p</sub> values amended in <a href="#">Table 1</a> and <a href="#">Table 10</a>			
TDA8932B_3	20070621	Product data sheet	-	TDA8932B_2
TDA8932B_2	20070329	Preliminary data sheet	-	TDA8932B_1
TDA8932B_1	20070214	Objective data sheet	-	-

## 19. Legal information

### 19.1 Data sheet status

Document status <sup>[1][2]</sup>	Product status <sup>[3]</sup>	Definition
Objective [short] data sheet	Development	This document contains data from the objective specification for product development.
Preliminary [short] data sheet	Qualification	This document contains data from the preliminary specification.
Product [short] data sheet	Production	This document contains the product specification.

[1] Please consult the most recently issued document before initiating or completing a design.

[2] The term 'short data sheet' is explained in section "Definitions".

[3] The product status of device(s) described in this document may have changed since this document was published and may differ in case of multiple devices. The latest product status information is available on the Internet at URL <http://www.nxp.com>.

### 19.2 Definitions

**Draft** — The document is a draft version only. The content is still under internal review and subject to formal approval, which may result in modifications or additions. NXP Semiconductors does not give any representations or warranties as to the accuracy or completeness of information included herein and shall have no liability for the consequences of use of such information.

**Short data sheet** — A short data sheet is an extract from a full data sheet with the same product type number(s) and title. A short data sheet is intended for quick reference only and should not be relied upon to contain detailed and full information. For detailed and full information see the relevant full data sheet, which is available on request via the local NXP Semiconductors sales office. In case of any inconsistency or conflict with the short data sheet, the full data sheet shall prevail.

### 19.3 Disclaimers

**General** — Information in this document is believed to be accurate and reliable. However, NXP Semiconductors does not give any representations or warranties, expressed or implied, as to the accuracy or completeness of such information and shall have no liability for the consequences of use of such information.

**Right to make changes** — NXP Semiconductors reserves the right to make changes to information published in this document, including without limitation specifications and product descriptions, at any time and without notice. This document supersedes and replaces all information supplied prior to the publication hereof.

**Suitability for use** — NXP Semiconductors products are not designed, authorized or warranted to be suitable for use in medical, military, aircraft, space or life support equipment, nor in applications where failure or malfunction of an NXP Semiconductors product can reasonably be expected to result in personal injury, death or severe property or environmental

damage. NXP Semiconductors accepts no liability for inclusion and/or use of NXP Semiconductors products in such equipment or applications and therefore such inclusion and/or use is at the customer's own risk.

**Applications** — Applications that are described herein for any of these products are for illustrative purposes only. NXP Semiconductors makes no representation or warranty that such applications will be suitable for the specified use without further testing or modification.

**Limiting values** — Stress above one or more limiting values (as defined in the Absolute Maximum Ratings System of IEC 60134) may cause permanent damage to the device. Limiting values are stress ratings only and operation of the device at these or any other conditions above those given in the Characteristics sections of this document is not implied. Exposure to limiting values for extended periods may affect device reliability.

**Terms and conditions of sale** — NXP Semiconductors products are sold subject to the general terms and conditions of commercial sale, as published at <http://www.nxp.com/profile/terms>, including those pertaining to warranty, intellectual property rights infringement and limitation of liability, unless explicitly otherwise agreed to in writing by NXP Semiconductors. In case of any inconsistency or conflict between information in this document and such terms and conditions, the latter will prevail.

**No offer to sell or license** — Nothing in this document may be interpreted or construed as an offer to sell products that is open for acceptance or the grant, conveyance or implication of any license under any copyrights, patents or other industrial or intellectual property rights.

**Quick reference data** — The Quick reference data is an extract of the product data given in the Limiting values and Characteristics sections of this document, and as such is not complete, exhaustive or legally binding.

### 19.4 Trademarks

Notice: All referenced brands, product names, service names and trademarks are the property of their respective owners.

## 20. Contact information

For more information, please visit: <http://www.nxp.com>

For sales office addresses, please send an email to: [salesaddresses@nxp.com](mailto:salesaddresses@nxp.com)

**21. Contents**

<b>1</b>	<b>General description</b> . . . . .	<b>1</b>	<b>16.4</b>	Reflow soldering . . . . .	<b>44</b>
<b>2</b>	<b>Features</b> . . . . .	<b>1</b>	<b>17</b>	<b>Abbreviations</b> . . . . .	<b>45</b>
<b>3</b>	<b>Applications</b> . . . . .	<b>1</b>	<b>18</b>	<b>Revision history</b> . . . . .	<b>46</b>
<b>4</b>	<b>Quick reference data</b> . . . . .	<b>2</b>	<b>19</b>	<b>Legal information</b> . . . . .	<b>47</b>
<b>5</b>	<b>Ordering information</b> . . . . .	<b>2</b>	<b>19.1</b>	Data sheet status . . . . .	<b>47</b>
<b>6</b>	<b>Block diagram</b> . . . . .	<b>3</b>	<b>19.2</b>	Definitions . . . . .	<b>47</b>
<b>7</b>	<b>Pinning information</b> . . . . .	<b>4</b>	<b>19.3</b>	Disclaimers . . . . .	<b>47</b>
<b>7.1</b>	Pinning . . . . .	<b>4</b>	<b>19.4</b>	Trademarks . . . . .	<b>47</b>
<b>7.2</b>	Pin description . . . . .	<b>4</b>	<b>20</b>	<b>Contact information</b> . . . . .	<b>47</b>
<b>8</b>	<b>Functional description</b> . . . . .	<b>5</b>	<b>21</b>	<b>Contents</b> . . . . .	<b>48</b>
<b>8.1</b>	General . . . . .	<b>5</b>			
<b>8.2</b>	Mode selection and interfacing . . . . .	<b>6</b>			
<b>8.3</b>	Pulse width modulation frequency . . . . .	<b>7</b>			
<b>8.4</b>	Protection . . . . .	<b>8</b>			
<b>8.4.1</b>	Thermal Foldback (TF) . . . . .	<b>9</b>			
<b>8.4.2</b>	OverTemperature Protection (OTP) . . . . .	<b>9</b>			
<b>8.4.3</b>	OverCurrent Protection (OCP) . . . . .	<b>9</b>			
<b>8.4.4</b>	Window Protection (WP) . . . . .	<b>9</b>			
<b>8.4.5</b>	Supply voltage protection . . . . .	<b>10</b>			
<b>8.5</b>	Diagnostic input and output . . . . .	<b>11</b>			
<b>8.6</b>	Differential inputs . . . . .	<b>11</b>			
<b>8.7</b>	Output voltage buffers . . . . .	<b>11</b>			
<b>9</b>	<b>Internal circuitry</b> . . . . .	<b>12</b>			
<b>10</b>	<b>Limiting values</b> . . . . .	<b>16</b>			
<b>11</b>	<b>Thermal characteristics</b> . . . . .	<b>16</b>			
<b>12</b>	<b>Static characteristics</b> . . . . .	<b>17</b>			
<b>13</b>	<b>Dynamic characteristics</b> . . . . .	<b>19</b>			
<b>14</b>	<b>Application information</b> . . . . .	<b>22</b>			
<b>14.1</b>	Output power estimation . . . . .	<b>22</b>			
<b>14.2</b>	Output current limiting . . . . .	<b>24</b>			
<b>14.3</b>	Speaker configuration and impedance . . . . .	<b>24</b>			
<b>14.4</b>	Single-ended capacitor . . . . .	<b>24</b>			
<b>14.5</b>	Gain reduction . . . . .	<b>25</b>			
<b>14.6</b>	Device synchronization . . . . .	<b>26</b>			
<b>14.7</b>	Thermal behavior (printed-circuit board considerations) . . . . .	<b>26</b>			
<b>14.8</b>	Pumping effects . . . . .	<b>27</b>			
<b>14.9</b>	SE curves measured in reference design . . . . .	<b>29</b>			
<b>14.10</b>	BTL curves measured in reference design . . . . .	<b>33</b>			
<b>14.11</b>	Typical application schematics (simplified) . . . . .	<b>37</b>			
<b>15</b>	<b>Package outline</b> . . . . .	<b>41</b>			
<b>16</b>	<b>Soldering of SMD packages</b> . . . . .	<b>43</b>			
<b>16.1</b>	Introduction to soldering . . . . .	<b>43</b>			
<b>16.2</b>	Wave and reflow soldering . . . . .	<b>43</b>			
<b>16.3</b>	Wave soldering . . . . .	<b>43</b>			

Please be aware that important notices concerning this document and the product(s) described herein, have been included in section 'Legal information'.





# Mouser Electronics

Authorized Distributor

Click to View Pricing, Inventory, Delivery & Lifecycle Information:

[NXP:](#)

[TDA8932BT/N2,112](#) [TDA8932BT/N2,118](#) [TDA8932BTW/N2,518](#) [TDA8932BTW/N2,112](#) [TDA8932BTW/N2,118](#)



Компания «ЭлектроПласт» предлагает заключение долгосрочных отношений при поставках импортных электронных компонентов на взаимовыгодных условиях!

Наши преимущества:

- Оперативные поставки широкого спектра электронных компонентов отечественного и импортного производства напрямую от производителей и с крупнейших мировых складов;
- Поставка более 17-ти миллионов наименований электронных компонентов;
- Поставка сложных, дефицитных, либо снятых с производства позиций;
- Оперативные сроки поставки под заказ (от 5 рабочих дней);
- Экспресс доставка в любую точку России;
- Техническая поддержка проекта, помощь в подборе аналогов, поставка прототипов;
- Система менеджмента качества сертифицирована по Международному стандарту ISO 9001;
- Лицензия ФСБ на осуществление работ с использованием сведений, составляющих государственную тайну;
- Поставка специализированных компонентов (Xilinx, Altera, Analog Devices, Intersil, Interpoint, Microsemi, Aeroflex, Peregrine, Syfer, Eurofarad, Texas Instrument, Miteq, Cobham, E2V, MA-COM, Hittite, Mini-Circuits, General Dynamics и др.);

Помимо этого, одним из направлений компании «ЭлектроПласт» является направление «Источники питания». Мы предлагаем Вам помощь Конструкторского отдела:

- Подбор оптимального решения, техническое обоснование при выборе компонента;
- Подбор аналогов;
- Консультации по применению компонента;
- Поставка образцов и прототипов;
- Техническая поддержка проекта;
- Защита от снятия компонента с производства.



#### Как с нами связаться

**Телефон:** 8 (812) 309 58 32 (многоканальный)

**Факс:** 8 (812) 320-02-42

**Электронная почта:** [org@eplast1.ru](mailto:org@eplast1.ru)

**Адрес:** 198099, г. Санкт-Петербург, ул. Калинина, дом 2, корпус 4, литера А.