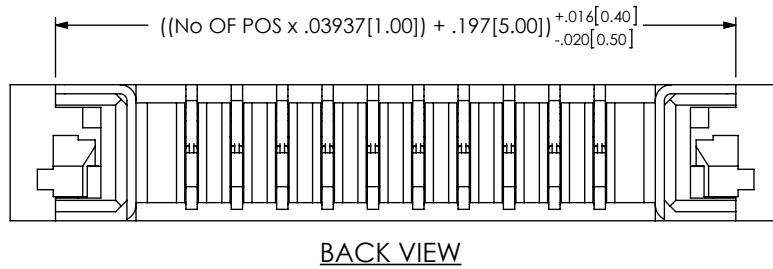


DO NOT SCALE FROM THIS PRINT



BACK VIEW

ZF1-XX-XX-XX-WT-XX

No OF POSITIONS
-04 THRU -30

OPTIONS
-TR: TAPE AND REEL
(SEE SHEET 4, FIG 3)

LEAD STYLE

-01: CONTACT BOTTOM
-02: CONTACT TOP
* -03: TOP ENTRY (SEE SHEET 3)

WELD TAB

PLATING SPECIFICATION

-T: PURE TIN, MATTE FINISH
-TM: PURE TIN, MATTE FINISH

* -03 LEAD STYLE AVAILABLE TO EXISTING CUSTOMERS ONLY AS OF REVISION P

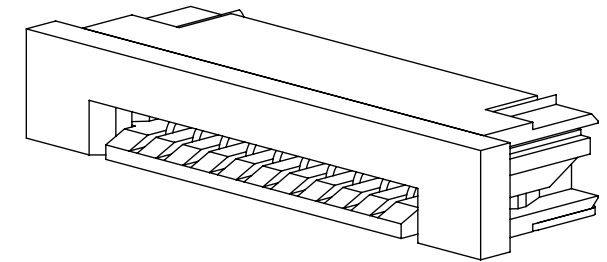
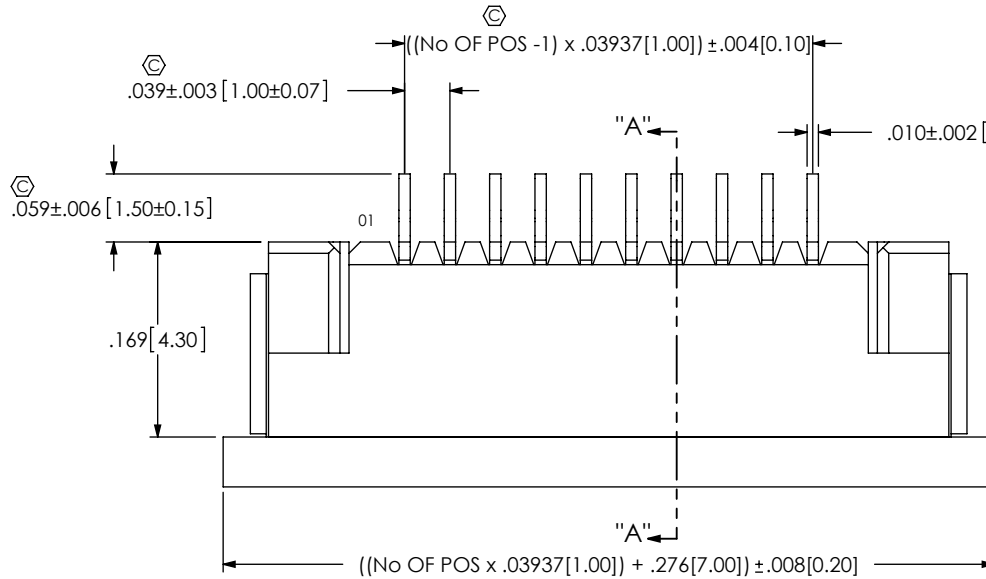
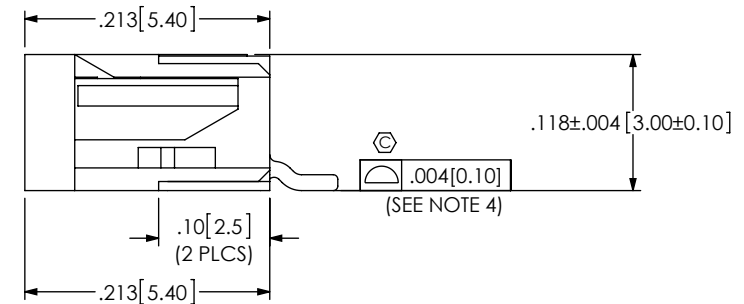
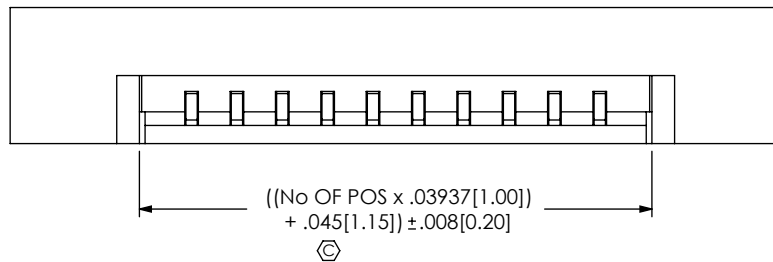


FIG 1
ZF1-10-01-T-WT SHOWN
(WITH CAM CLOSED)



NOTES:

1. ⊕ REPRESENTS A CRITICAL DIMENSION.
2. BURR ALLOWANCE: .0010[.025] MAXIMUM.
3. CONTACT; MINIMUM PUSHOUT FORCE: 6 OZ.
4. COPLANARITY INCLUDES TAILS AND WELD TABS.
5. WELD TAB RETENTION: 12 OZ.
6. BREAKOFF BURR NOT TO EXCEED .007[0.18] & MUST REMAIN ATTACHED.

UNLESS OTHERWISE SPECIFIED, DIMENSIONS ARE IN INCHES. TOLERANCES ARE:
DECIMALS ANGLES
.XX: $\pm .01 [0.4]$ 2°
.XXX: $\pm .010 [0.25]$
.XXXX: $\pm .XXXX [XXX]$

PROPRIETARY NOTE
THIS DOCUMENT CONTAINS CONFIDENTIAL AND PROPRIETARY INFORMATION AND ALL DESIGN, MANUFACTURING, REPRODUCTION, USE, PATENT RIGHTS AND SALES RIGHTS ARE EXPRESSLY RESERVED BY SAMTEC, INC. THIS DOCUMENT SHALL NOT BE DISCLOSED, IN WHOLE OR PART, TO ANY UNAUTHORIZED PERSON OR ENTITY NOR REPRODUCED, TRANSFERRED OR INCORPORATED IN ANY OTHER PROJECT IN ANY MANNER WITHOUT THE EXPRESS WRITTEN CONSENT OF SAMTEC, INC.



520 PARK EAST BLVD, NEW ALBANY, IN 47150
PHONE: 812-944-6733 FAX: 812-948-5047
e-Mail: info@SAMTEC.com code: 55322

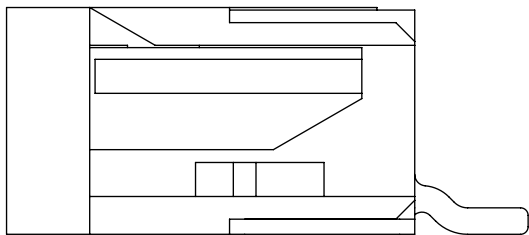
MATERIAL: DO NOT SCALE DRAWING
HOUSING: LCP E130i 94-V2, COLOR: NATURAL
CAM SLIDER: PPS D5 94-V2, COLOR: BLACK
CONTACT & WELD TAB: PHOS BRONZE
MAX FLASH ALLOWED: .002
MAX GATE VESTIGE: .002

SHEET SCALE: 6:1

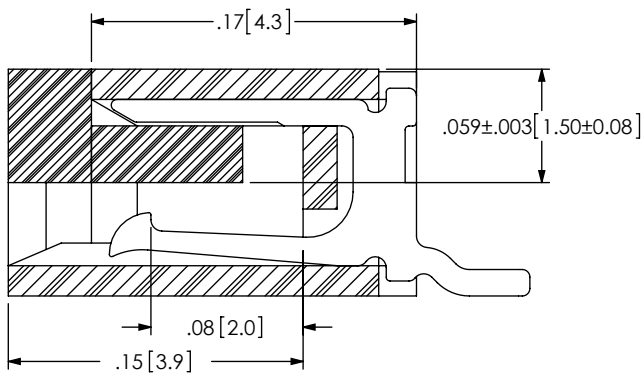
DESCRIPTION:
ZERO INSERTION FORCE 1mm ASSEMBLY

DWG. NO. ZF1-XX-XX-XX-WT-XX

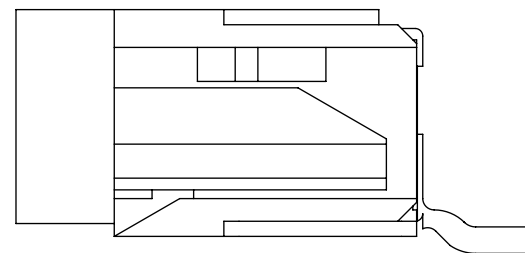
BY: KEVIN B 9/20/2002 SHEET 1 OF 4



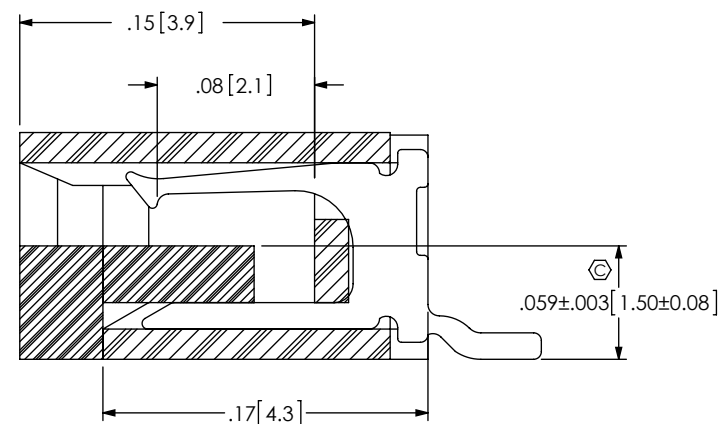
-01 LEAD STYLE [CONTACT BOTTOM]
(WITH CAM OPEN)



SECTION "A"- "A"
-01 LEAD STYLE
(WITH CAM CLOSED)



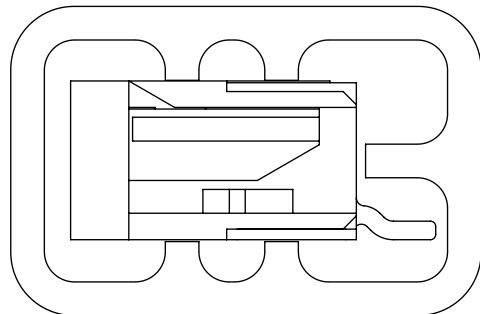
-02 LEAD STYLE [CONTACT TOP]
(WITH CAM OPEN)



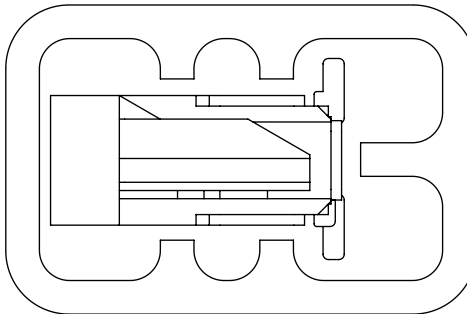
SECTION "A"- "A"
-02 LEAD STYLE
(WITH CAM CLOSED)

PACKAGING VIEWS
(-TR OPTION SHOWN ON SHEET 4)

[PARTS TO HAVE POSITION #1 LOADED IN
SAME DIRECTION AS ARROW ON TUBE]



-01 & -02 LEAD STYLE:
TUBE: PT-1-24-02-117
PLUG: TP-24



-03 LEAD STYLE:
TUBE: PT-1-24-02-117
PLUG: TP-24

F:\DWG\MISC\MKTG\FZ1-XX-XX-XX-WT-XX-MKT.SLDDRW

PROPRIETARY NOTE
THIS DOCUMENT CONTAINS CONFIDENTIAL AND PROPRIETARY INFORMATION AND ALL DESIGN, MANUFACTURING, REPRODUCTION, USE, PATENT RIGHTS AND SALES RIGHTS ARE EXPRESSLY RESERVED BY SAMTEC, INC. THIS DOCUMENT SHALL NOT BE DISCLOSED, IN WHOLE OR PART, TO ANY UNAUTHORIZED PERSON OR ENTITY NOR REPRODUCED, TRANSFERRED OR INCORPORATED IN ANY OTHER PROJECT IN ANY MANNER WITHOUT THE EXPRESS WRITTEN CONSENT OF SAMTEC, INC.

DO NOT SCALE DRAWING

SHEET SCALE: 10:1



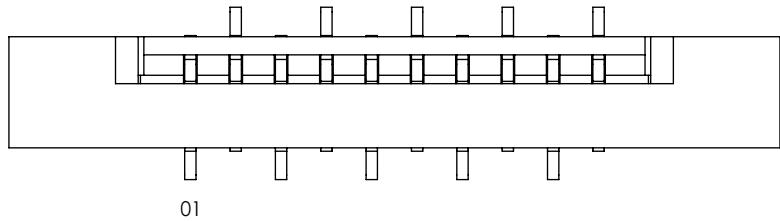
520 PARK EAST BLVD., NEW ALBANY, IN 47150
PHONE: 812-944-6733 FAX: 812-948-5047
e-Mail: info@SAMTEC.com code: 55322

DESCRIPTION:
ZERO INSERTION FORCE 1mm ASSEMBLY

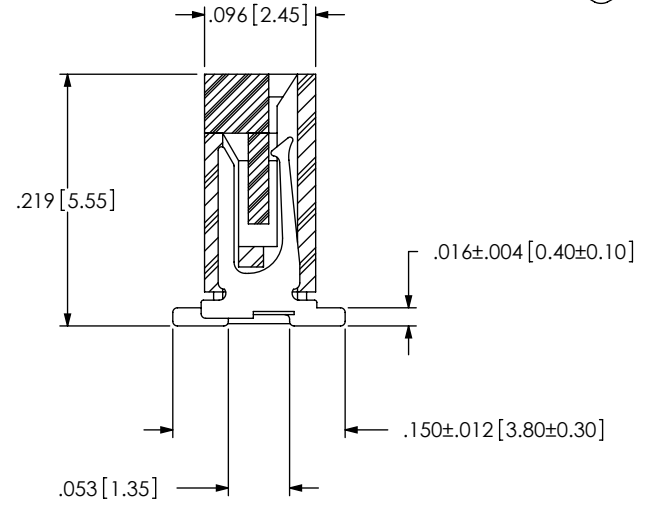
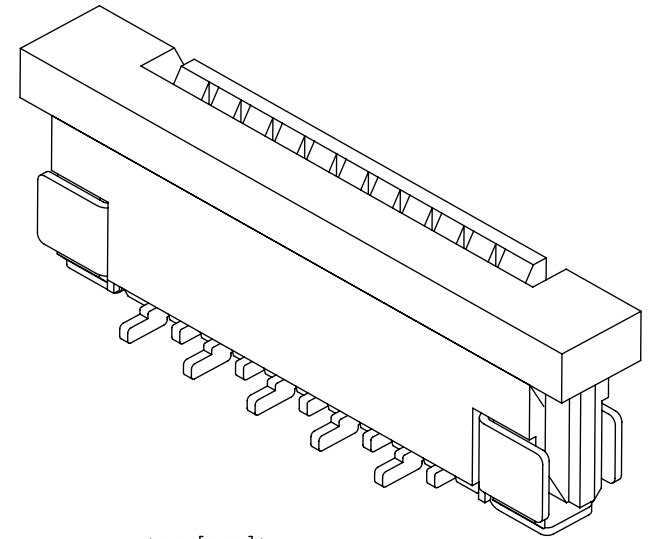
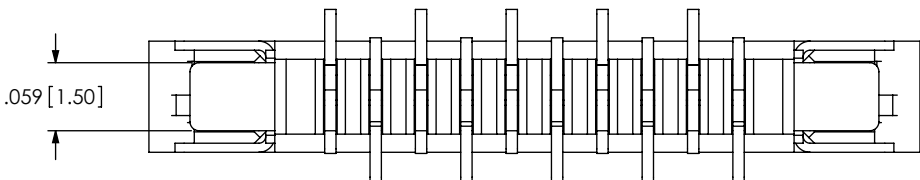
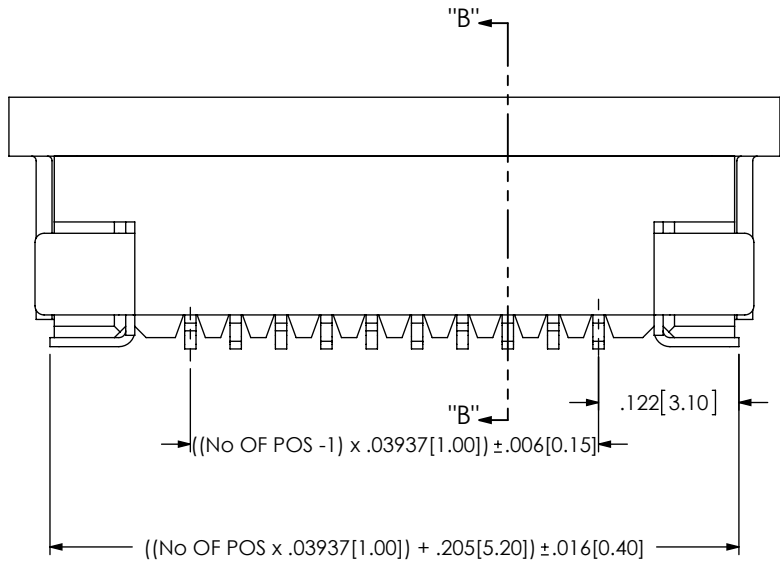
DWG. NO. **ZF1-XX-XX-XX-WT-XX**

BY: KEVIN B 9/20/2002 SHEET 2 OF 4

FIG 2
 * -03 LEAD STYLE
 (SAME AS FIG 1, UNLESS OTHERWISE STATED)
 (ZF1-10-03-T-WT SHOWN)



01



SECTION "B"- "B"

F:\DWG\MISC\MKTG\ZF1-XX-XX-XX-WT-XX-MKT.SLDDRW

PROPRIETARY NOTE
 THIS DOCUMENT CONTAINS CONFIDENTIAL AND PROPRIETARY INFORMATION AND ALL DESIGN, MANUFACTURING, REPRODUCTION, USE, PATENT RIGHTS AND SALES RIGHTS ARE EXPRESSLY RESERVED BY SAMTEC, INC. THIS DOCUMENT SHALL NOT BE DISCLOSED, IN WHOLE OR PART, TO ANY UNAUTHORIZED PERSON OR ENTITY NOR REPRODUCED, TRANSFERRED OR INCORPORATED IN ANY OTHER PROJECT IN ANY MANNER WITHOUT THE EXPRESS WRITTEN CONSENT OF SAMTEC, INC.

DO NOT SCALE DRAWING
 SHEET SCALE: 6:1



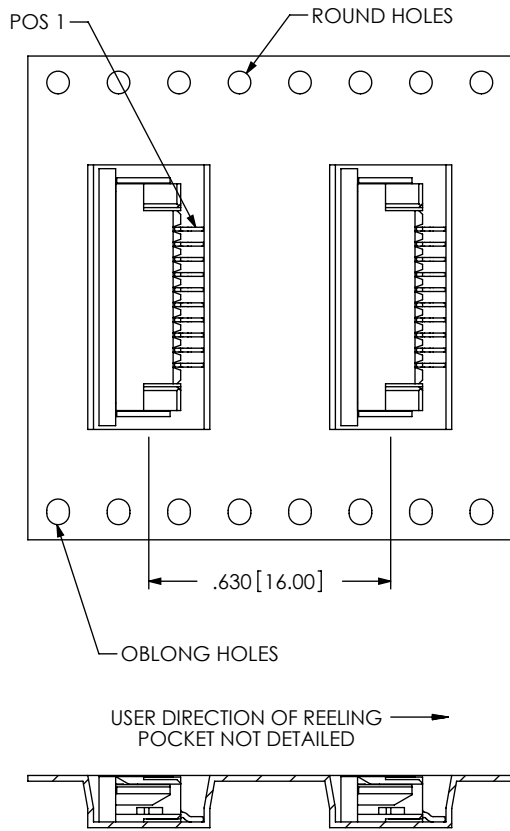
520 PARK EAST BLVD, NEW ALBANY, IN 47150
 PHONE: 812-944-6733 FAX: 812-948-5047
 e-Mail: info@SAMTEC.com code: 55322

DESCRIPTION: ZERO INSERTION FORCE 1mm ASSEMBLY	
DWG. NO. ZF1-XX-XX-XX-WT-XX	
BY: KEVIN B	9/20/2002
SHEET 3 OF 4	

FIG 3
-TR OPTION

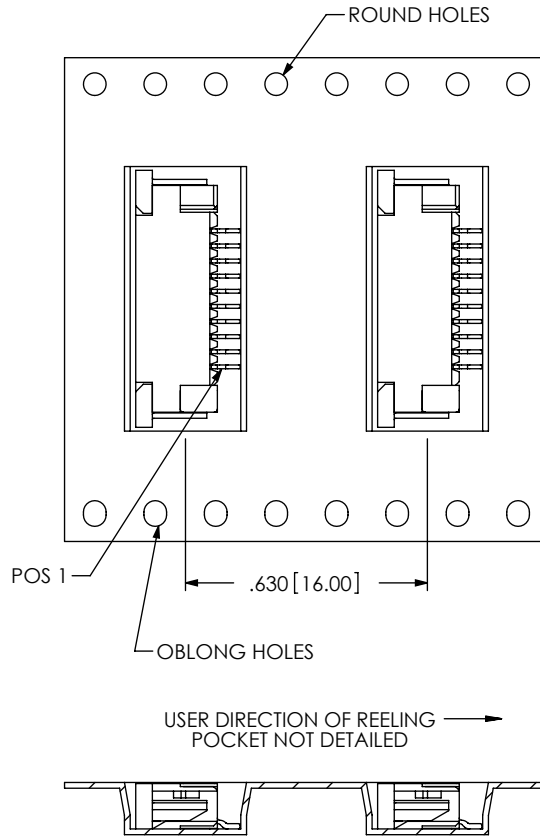
-01 LEAD STYLE

NOTE: POS 1 CLOSEST TO ROUND HOLES



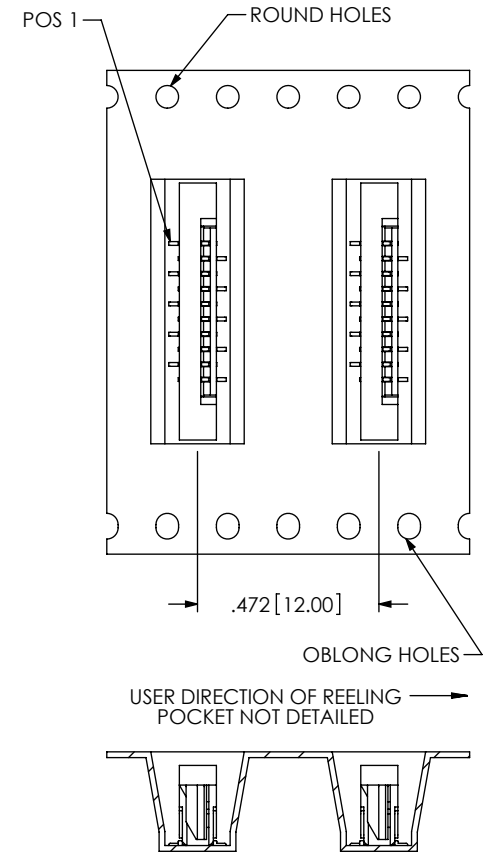
-02 LEAD STYLE

NOTE: POS 1 CLOSEST TO OBLONG HOLES



-03 LEAD STYLE

NOTE: POS 1 CLOSEST TO ROUND HOLES



F:\DWG\MISC\MKTG\ZF1-XX-XX-XX-WT-XX-MKT.SLDDRW

* PROPRIETARY NOTE *
THIS DOCUMENT CONTAINS CONFIDENTIAL AND PROPRIETARY INFORMATION AND ALL DESIGN, MANUFACTURING, REPRODUCTION, USE, PATENT RIGHTS AND SALES RIGHTS ARE EXPRESSLY RESERVED BY SAMTEC, INC. THIS DOCUMENT SHALL NOT BE DISCLOSED, IN WHOLE OR PART, TO ANY UNAUTHORIZED PERSON OR ENTITY NOR REPRODUCED, TRANSFERRED OR INCORPORATED IN ANY OTHER PROJECT IN ANY MANNER WITHOUT THE EXPRESS WRITTEN CONSENT OF SAMTEC, INC.

SHEET SCALE: 2:1



520 PARK EAST BLVD, NEW ALBANY, IN 47150
PHONE: 812-944-6733 FAX: 812-948-5047
e-Mail: info@SAMTEC.com code: 55322

DESCRIPTION:
ZERO INSERTION FORCE 1mm ASSEMBLY

DWG. NO. ZF1-XX-XX-XX-WT-XX

BY: KEVIN B 9/20/2002 SHEET 4 OF 4



Компания «ЭлектроПласт» предлагает заключение долгосрочных отношений при поставках импортных электронных компонентов на взаимовыгодных условиях!

Наши преимущества:

- Оперативные поставки широкого спектра электронных компонентов отечественного и импортного производства напрямую от производителей и с крупнейших мировых складов;
- Поставка более 17-ти миллионов наименований электронных компонентов;
- Поставка сложных, дефицитных, либо снятых с производства позиций;
- Оперативные сроки поставки под заказ (от 5 рабочих дней);
- Экспресс доставка в любую точку России;
- Техническая поддержка проекта, помощь в подборе аналогов, поставка прототипов;
- Система менеджмента качества сертифицирована по Международному стандарту ISO 9001;
- Лицензия ФСБ на осуществление работ с использованием сведений, составляющих государственную тайну;
- Поставка специализированных компонентов (Xilinx, Altera, Analog Devices, Intersil, Interpoint, Microsemi, Aeroflex, Peregrine, Syfer, Eurofarad, Texas Instrument, Miteq, Cobham, E2V, MA-COM, Hittite, Mini-Circuits, General Dynamics и др.);

Помимо этого, одним из направлений компании «ЭлектроПласт» является направление «Источники питания». Мы предлагаем Вам помощь Конструкторского отдела:

- Подбор оптимального решения, техническое обоснование при выборе компонента;
- Подбор аналогов;
- Консультации по применению компонента;
- Поставка образцов и прототипов;
- Техническая поддержка проекта;
- Защита от снятия компонента с производства.



Как с нами связаться

Телефон: 8 (812) 309 58 32 (многоканальный)

Факс: 8 (812) 320-02-42

Электронная почта: org@eplast1.ru

Адрес: 198099, г. Санкт-Петербург, ул. Калинина, дом 2, корпус 4, литера А.