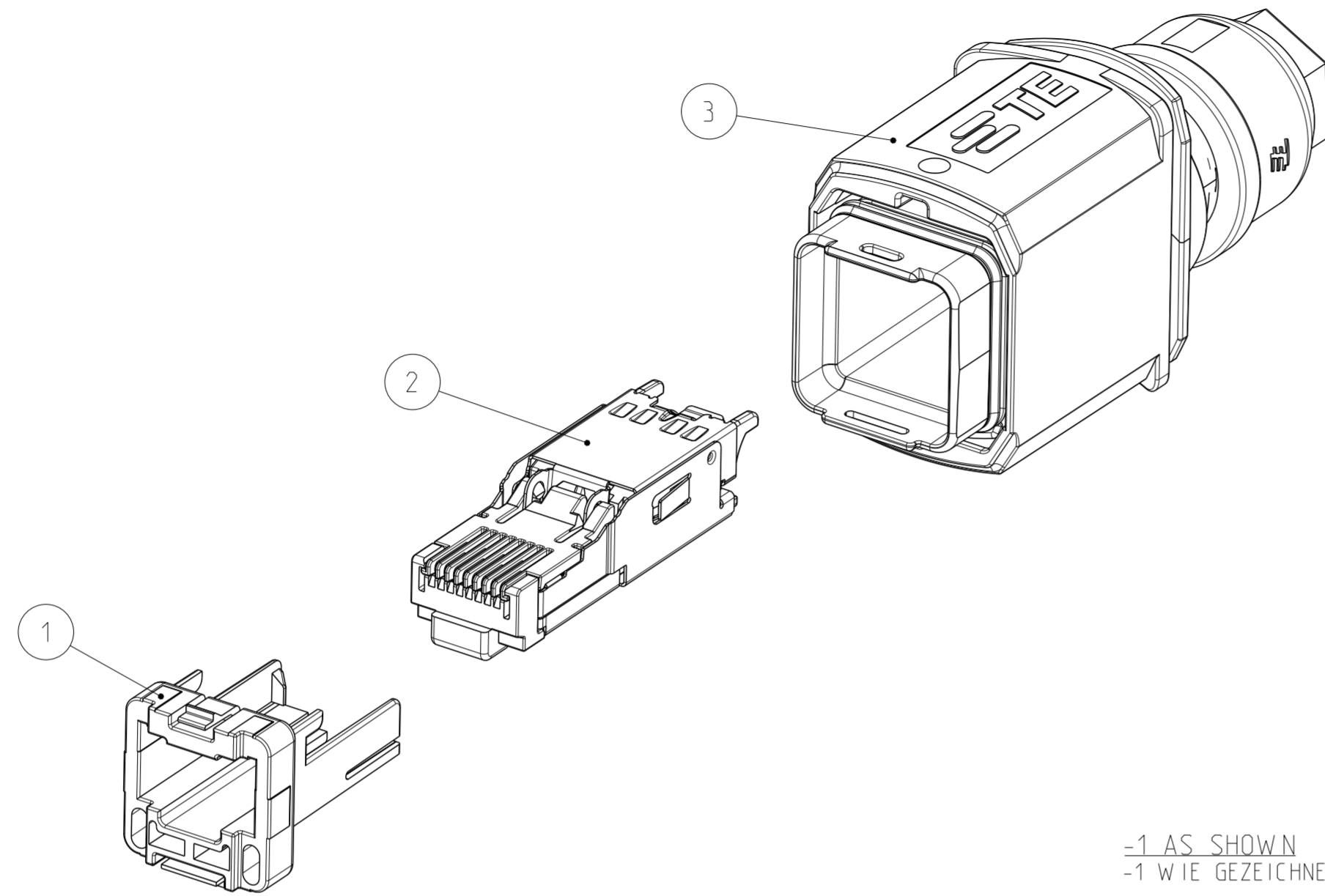


P	LTR	DESCRIPTION	DATE	DWN	APVD
	A1	DRAWING ACTIVATED	18JUN2014	ER	CS
	A2	VARIANT 1--1 ADDED	29MAR2016	ER	MS

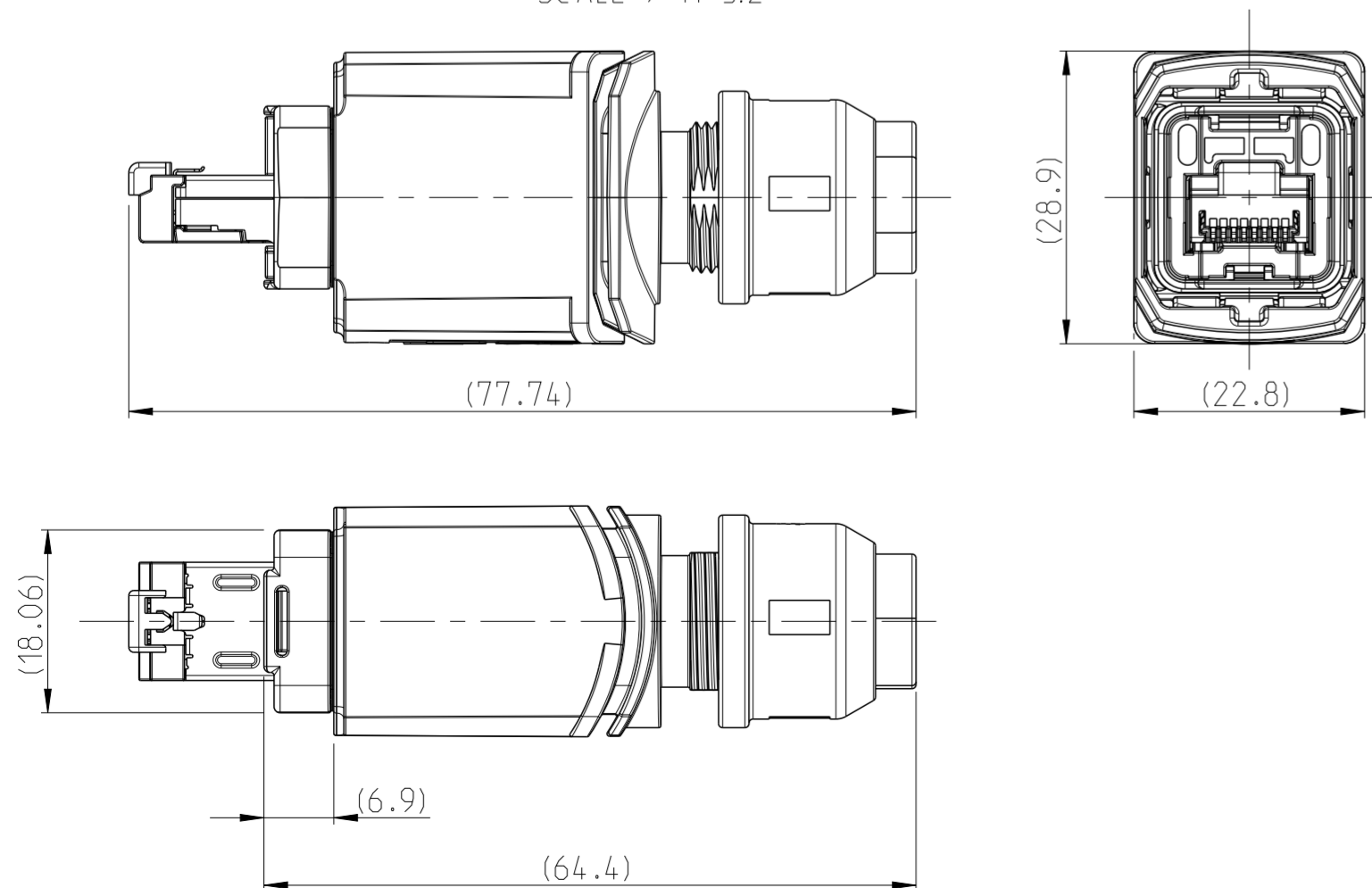


-1 AS SHOWN  
-1 WIE GEZEICHNET

- 1 MOUNTING-CYCLE:  
- APPLICATION SEE INSTRUCTION SHEET 411-18564
- 2 PACKAGING:  
- CONNECTOR SET PACKED INTO BLISTER PACKAGE.  
- BLISTER PACKAGE PACKED INTO CARTON
- 3 RJ45 APPLICATION ACC. IEC 60076-3-117 AND INTERFACE DIM.
- 4 NOT SHOWN

- 1 MONTAGE:  
- VERARBEITUNG SIEHE MONTAGEANWEISUNG 411-18564
- 2 VERPACKUNG:  
- STECKER SET IN BLISTERVERPACKUNG VERPACKT  
- BLISTERVERPACKUNG TRAY IN KARTON VERPACKT
- 3 RJ45 ANWENDUNG NACH IEC 60076-3-117 UND SCHNITTSTELLENMASSE
- 4 NICHT DARGESTELLT

DIMENSION IN ASSEMBLED CONDITION  
MASSE IM ASSEMBLIERTEN ZUSTAND  
SCALE / M 3:2



Size ISO 14405 (E)

QUANTITY STUECK	ITEM-NO. POS.	DESCRIPTION BENENNUNG	SURFACE OBERFLAECHE COLOUR/FARBE	MATERIAL
-	-	2120864-1	<b>TE ORDER-NO. BESTELL-NR.</b>	
-	1	5 BLISTER PACKAGE BLISTERVERPACKUNG	-	-
-	1	4 INSTRUCTION SHEET MONTAGEANWEISUNG	-	-
-	1	3 PUSH PULL, SUB-ASSY PUSH PULL, SUB-ASSY	3-5 µm Ni OVER Ø µm Cu	ZP04.10 DIN 12833
-	1	2 COMMON CORE ASSY 8POS.. GIGABIT GEM. KERN ASSY 8POL.. GIGABIT	-	-
-	1	1 ADAPTER RJ45, CAT5e PLUG, VARIANTE 14 ADAPTER RJ45, CAT5e STECKER, VARIANTE 14	BLACK SCHWARZ	PBT-GF20

THIS DRAWING IS A CONTROLLED DOCUMENT. DIMENSIONING AND TOLERANCING PER GPS (ISO STANDARDS). DIMENSIONS: MASSE IN HEINEN: (MM). TOLERANCES UNLESS OTHERWISE SPECIFIED: ALLGEMEINTOLERANZEN.

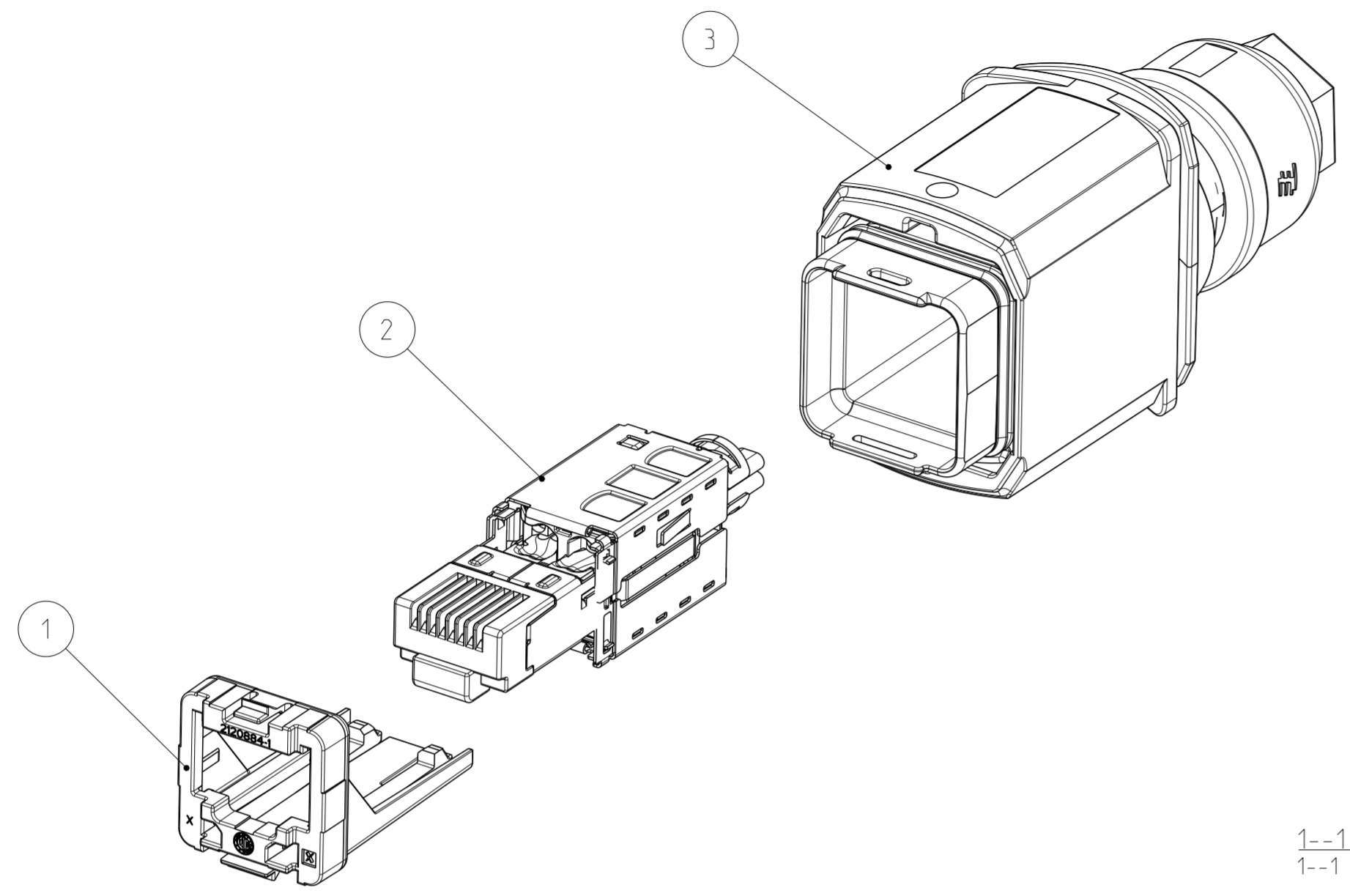
0 PLC ±0.2	1 PLC ±0.2	2 PLC ±0.2	3 PLC ±	4 PLC ±	ANGLES/WINKEL ±2°	FINISH/OBERFLAECHE/FARBE
DWN S. HASS 20SEP2013			CHK M. STRELOW 20SEP2013			APVD C. SCHRETTLINGER 20SEP2013
PRODUCT SPEC 108-94207			APPLICATION SPEC			WEIGHT 78.6g
MATERIAL			Customer Drawing			Customer Drawing

NAME: VARIANTE 14, PLUG METAL VARIANTE 14, PLUG METALL RJ45, CAT5e, 8POS. GIGABIT

SIZE: A2 CAGE CODE: 00779 DRAWING NO: C-2120864 RESTRICTED TO NUR FUER

SCALE: 2:1 SHEET: 1 OF 5 REV: A2

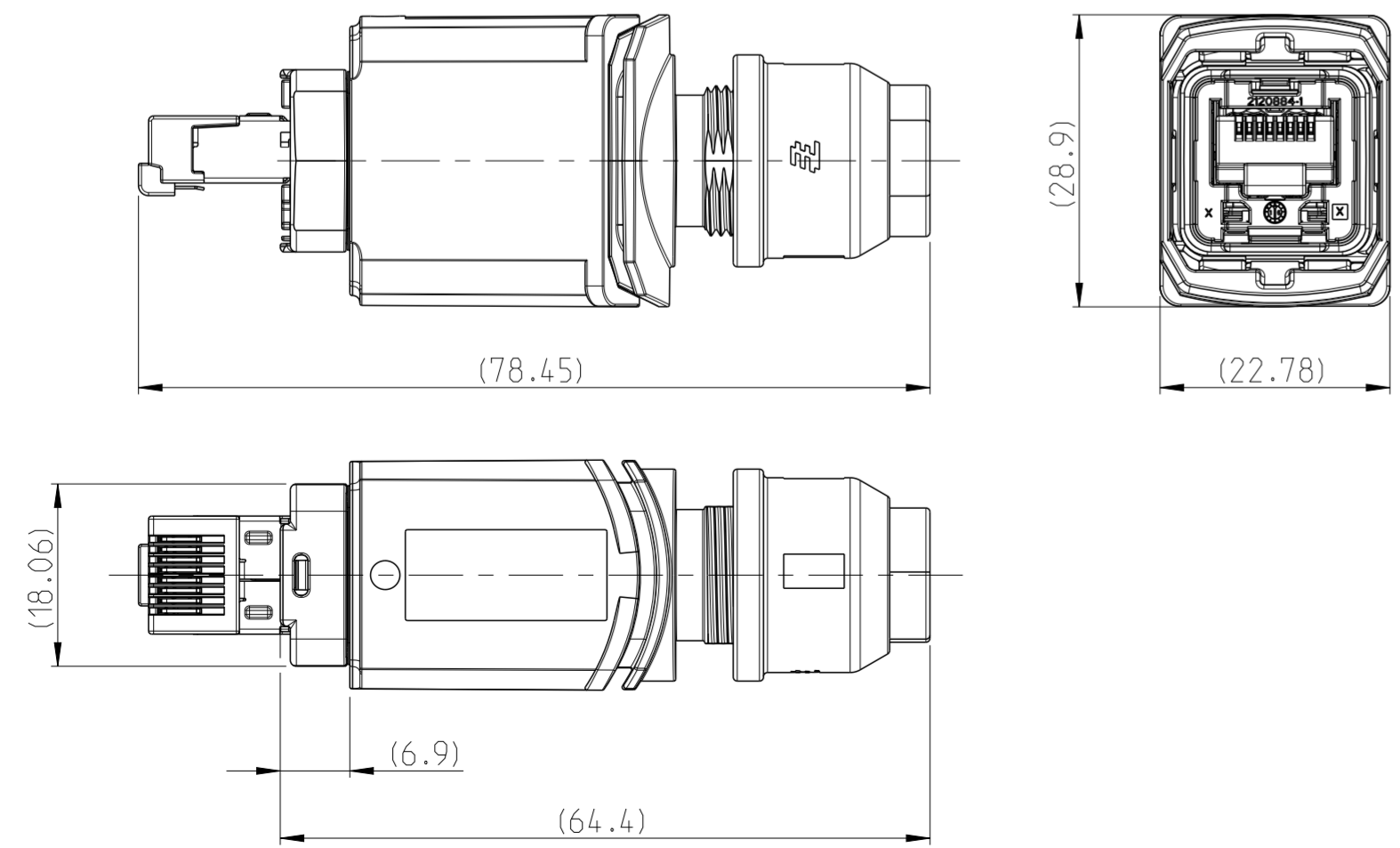
REVISIONS ÄNDERUNGEN		DATE	DWN	APVD
P	LTR	DESCRIPTION BESCHREIBUNG		
-	-	SEE SHEET 1	-	-



1--1 AS SHOWN  
1--1 WIE GEZEICHNET

- 1 MOUNTING-CYCLE:  
- APPLICATION SEE INSTRUCTION SHEET 411-18566
- 2 PACKAGING:  
- CONNECTOR SET PACKED INTO BLISTER PACKAGE.  
- BLISTER PACKAGE PACKED INTO CARTON
- 3 RJ45 APPLICATION ACC. IEC 60076-3-117 AND INTERFACE DIM.
- 4 NOT SHOWN
- 1 MONTAGE:  
- VERARBEITUNG SIEHE MONTAGEANWEISUNG 411-18566
- 2 VERPACKUNG:  
- STECKER SET IN BLISTERVERPACKUNG VERPACKT  
- BLISTERVERPACKUNG TRAY IN KARTON VERPACKT
- 3 RJ45 ANWENDUNG NACH IEC 60076-3-117 UND SCHNITTSTELLENMASSE
- 4 NICHT DARGESTELLT

DIMENSION IN ASSEMBLED CONDITION  
MASSE IM ASSEMBLIERTEN ZUSTAND  
SCALE / M 3:2



Size ISO 14405 (E)

QUANTITY STUECK	ITEM-NO. POS.	DESCRIPTION BENENNUNG	SURFACE OBERFLAECHE COLOUR/FARBE	MATERIAL
-	-	1-2120864-1	TE ORDER-NO. BESTELL-NR.	
-	5	BLISTER PACKAGE BLISTERVERPACKUNG		
-	4	INSTRUCTION SHEET MONTAGEANWEISUNG		
-	3	PUSH PULL, SUB-ASSY PUSH PULL, SUB-ASSY	3-5 µm Ni OVER 8 µm Cu	ZP04.10 DIN 12833
-	2	COMMON CORE ASSY 8POS.. CAT6A GEM. KERN ASSY 8POL.. CAT6A		
-	1	ADAPTER RJ45, CAT6A PLUG, VARIANTE 14 ADAPTER RJ45, CAT6A STECKER, VARIANTE 14	BLACK SCHWARZ	PBT-GF20

THIS DRAWING IS A CONTROLLED DOCUMENT.  
DIMENSIONING AND TOLERANCING PER GPS (ISO STANDARDS)

DIMENSIONS:  
MASSEINHEITEN:  
(MM)

TOLERANCES UNLESS  
OTHERWISE SPECIFIED:  
ALLGEMEINTOLERANZEN

0 PLC ±0.2  
1 PLC ±0.2  
2 PLC ±0.2  
3 PLC ±  
4 PLC ±  
ANGLES/WINKEL ±2°  
FINISH/OBERFLAECHE/FARBE

DWN S. HASS 20SEP2013  
CHK M. STRELOW 20SEP2013  
APVD C. SCHRETTLINGER 20SEP2013

PRODUCT SPEC  
PRODUKTSPEZ.  
108-94207

APPLICATION SPEC  
VERARBEITUNGSSPEZ.  
-

WEIGHT  
GEWICHT  
83.0g

Customer Drawing

NAME  
VARIANTE 14, PLUG METAL  
VARIANTE 14, PLUG METALL  
RJ45, CAT6A, 8POS.

SIZE A2  
CAGE CODE 00779  
DRAWING NO.  
ZEICHNUNGS-NR.  
C-2120864

RESTRICTED TO  
NUR FUER  
-

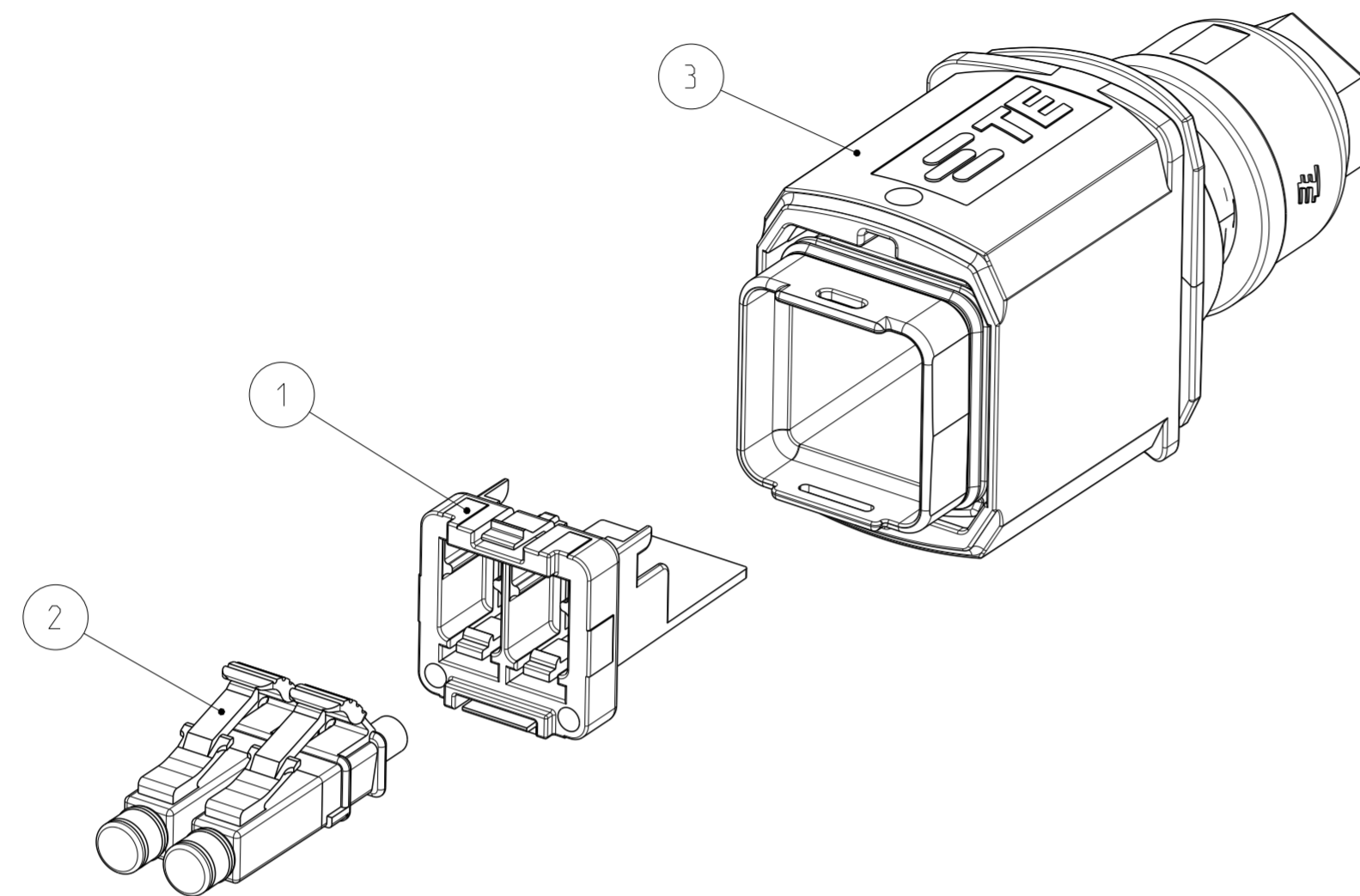
SCALE  
MASSTAB  
2:1

SHEET  
BLATT  
2 OF 5

REV  
A2

TE Connectivity

P	LTR	DESCRIPTION BESCHREIBUNG	DATE	DWN	APVD
-	-	SEE SHEET 1	-	-	-

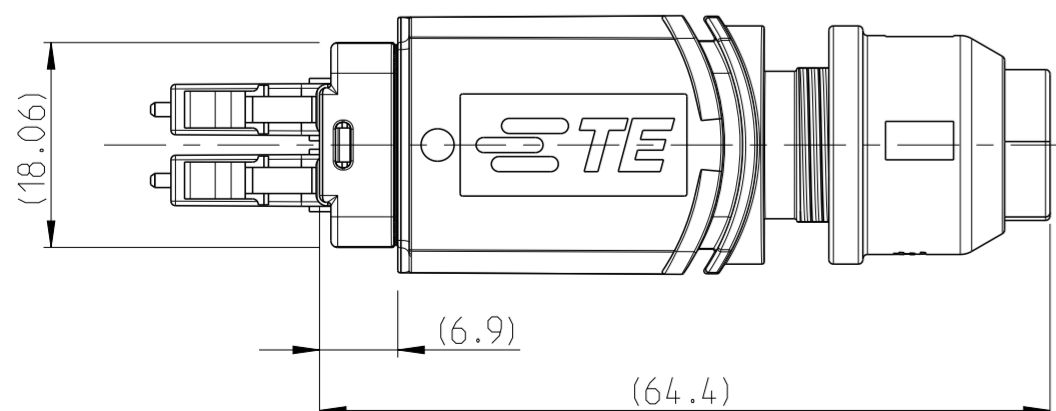
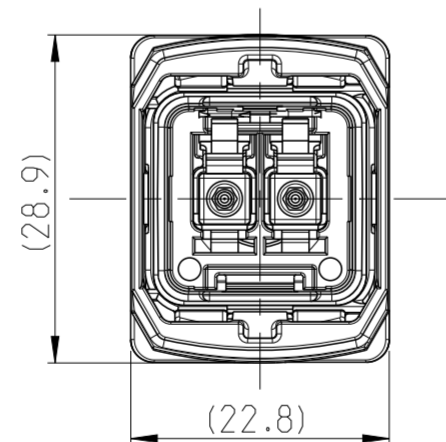
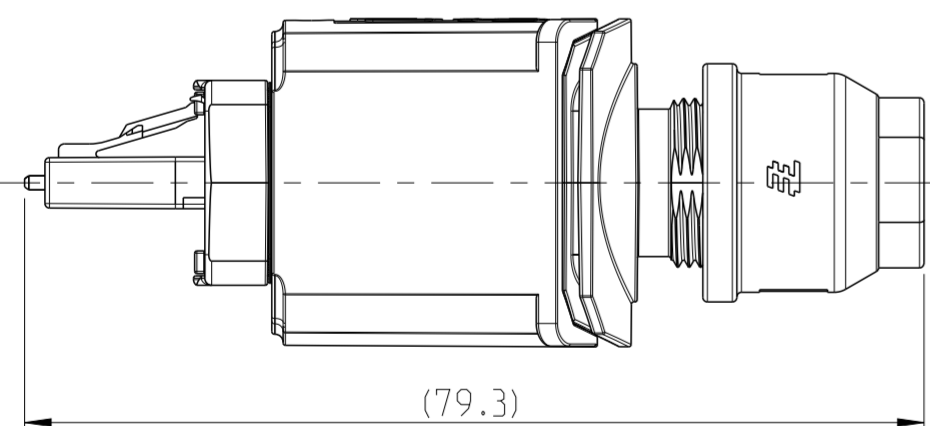


- 1 MOUNTING-CYCLE:  
- APPLICATION SEE INSTRUCTION SHEET 411-18565
- 2 PACKAGING:  
- CONNECTOR SET PACKED INTO BLISTER PACKAGE  
- BLISTER PACKAGE PACKED INTO CARTON
- 3 CONNECTOR APPLICATION ACC. INSTRUCTION SHEET 408-8925
- 4 NOT SHOWN

- 1 MONTAGE:  
- VERARBEITUNG SIEHE MONTAGEANWEISUNG 411-18565
- 2 VERPACKUNG:  
- STECKER SET IN BLISTERVERPACKUNG VERPACKT  
- BLISTERVERPACKUNG IN KARTON VERPACKT
- 3 STECKVERBINDER MONTAGE NACH ARBEITSANWEISUNG 408-8925
- 4 NICHT DARGESTELLT

2--1 AS SHOWN  
2--1 WIE GEZEICHNET

DIMENSION IN ASSEMBLED CONDITION  
MASSE IM ASSEMBLIERTEN ZUSTAND  
SCALE / M 3:2



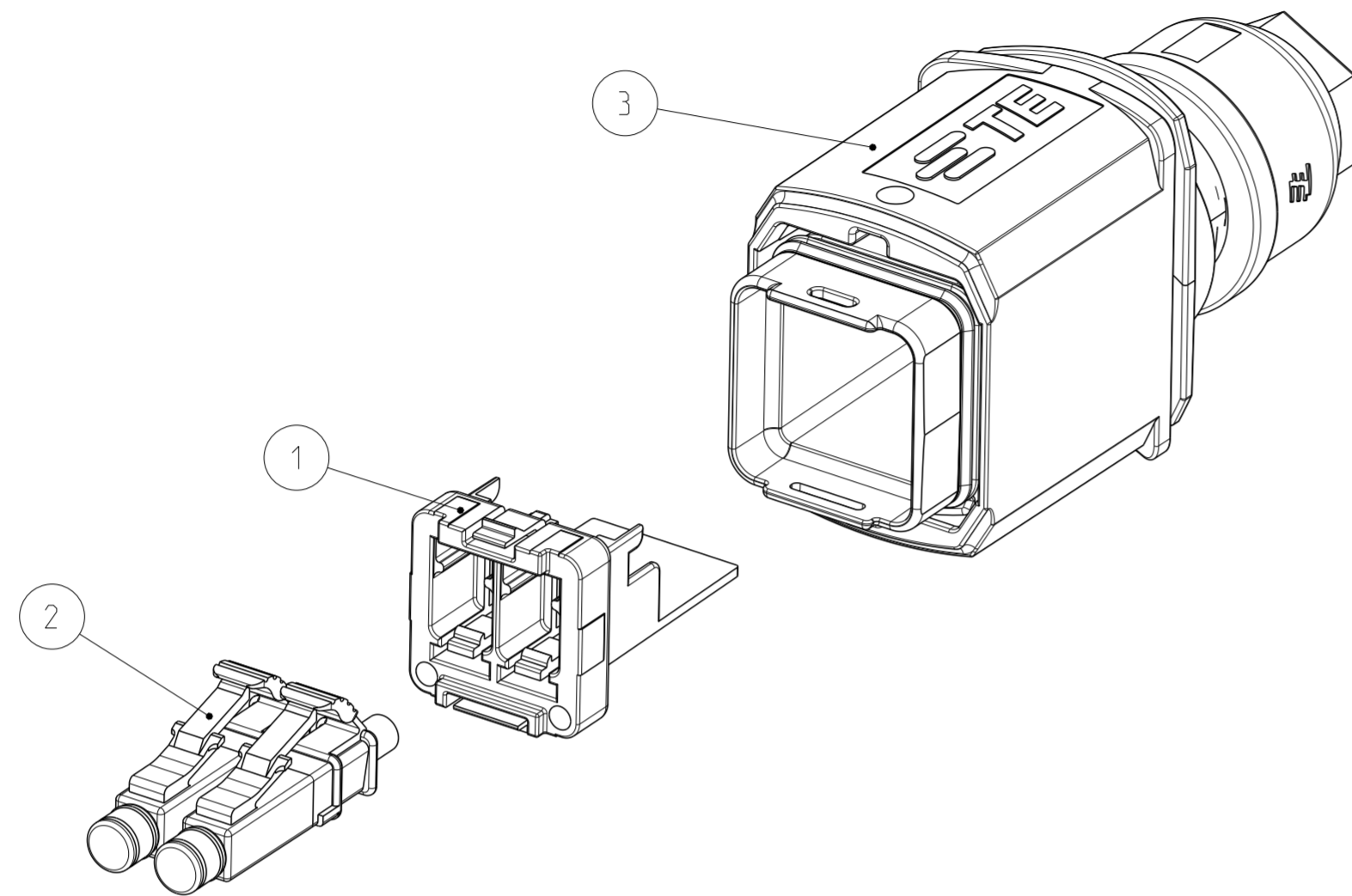
Size ISO 14405 (E)

QUANTITY STÜCK		ITEM-NO. POS.	DESCRIPTION BENENNUNG	SURFACE OBERFLÄCHE COLOUR/FARBE	MATERIAL
-	-	1	5 BLISTER PACKAGE BLISTERVERPACKUNG	-	-
-	-	1	4 INSTRUCTION SHEET MONTAGEANWEISUNG	-	-
-	-	1	3 PUSH PULL, SUB-ASSY PUSH PULL, SUB-ASSY	3-5 µm Ni OVER 8 µm Cu	ZP0410 DIN 12833
-	-	2	2 CONNECTOR ASSEMBLY ONE-PIECE LC. SINGLE MODE GLASFASERVERBINDER, LC, SINGLEMODE	BLUE BLAU	-
-	-	1	1 ADAPTER FIBER OPTIC PLUG, VARIANT 14 ADAPTER FIBER OPTIC STECKER, VARIANTE 14	BLACK SCHWARZ	PBT-GF20

THIS DRAWING IS A CONTROLLED DOCUMENT. DIMENSIONING AND TOLERANCING PER GPS (ISO STANDARDS)		DWN S. HASS 20SEP2013	<p>TE Connectivity</p>
DIMENSIONS: MASSEINHEITEN: (MM)		CHK M. STRELOW 20SEP2013	
TOLERANCES UNLESS OTHERWISE SPECIFIED: ALLGEMEINTOLERANZEN		APVD C. SCHRETTLINGER 20SEP2013	
0 PLC ±0.2 1 PLC ±0.2 2 PLC ±0.2 3 PLC ± 4 PLC ± ANGLES/WINKEL ±2° FINISH/OBERFLÄCHE/FARBE		NAME VARIANT 14, PLUG METAL VARIANTE 14, PLUG METALL FIBER OPTIC, LC, SINGLE MODE (BLUE)	
MATERIAL	-	WEIGHT GEWICHT 74.9g	SIZE A2
Customer Drawing		Customer Drawing	DRAWING NO. ZEICHNUNGS-NR. C-2120864 SCALE MASSSTAB 2:1 SHEET BLATT 3 OF 5 REV A2

P	LTR	REVISIONS AENDERUNGEN	DESCRIPTION	DATE	DWN	APVD
-	-	SEE SHEET 1	BESCHREIBUNG	-	-	-

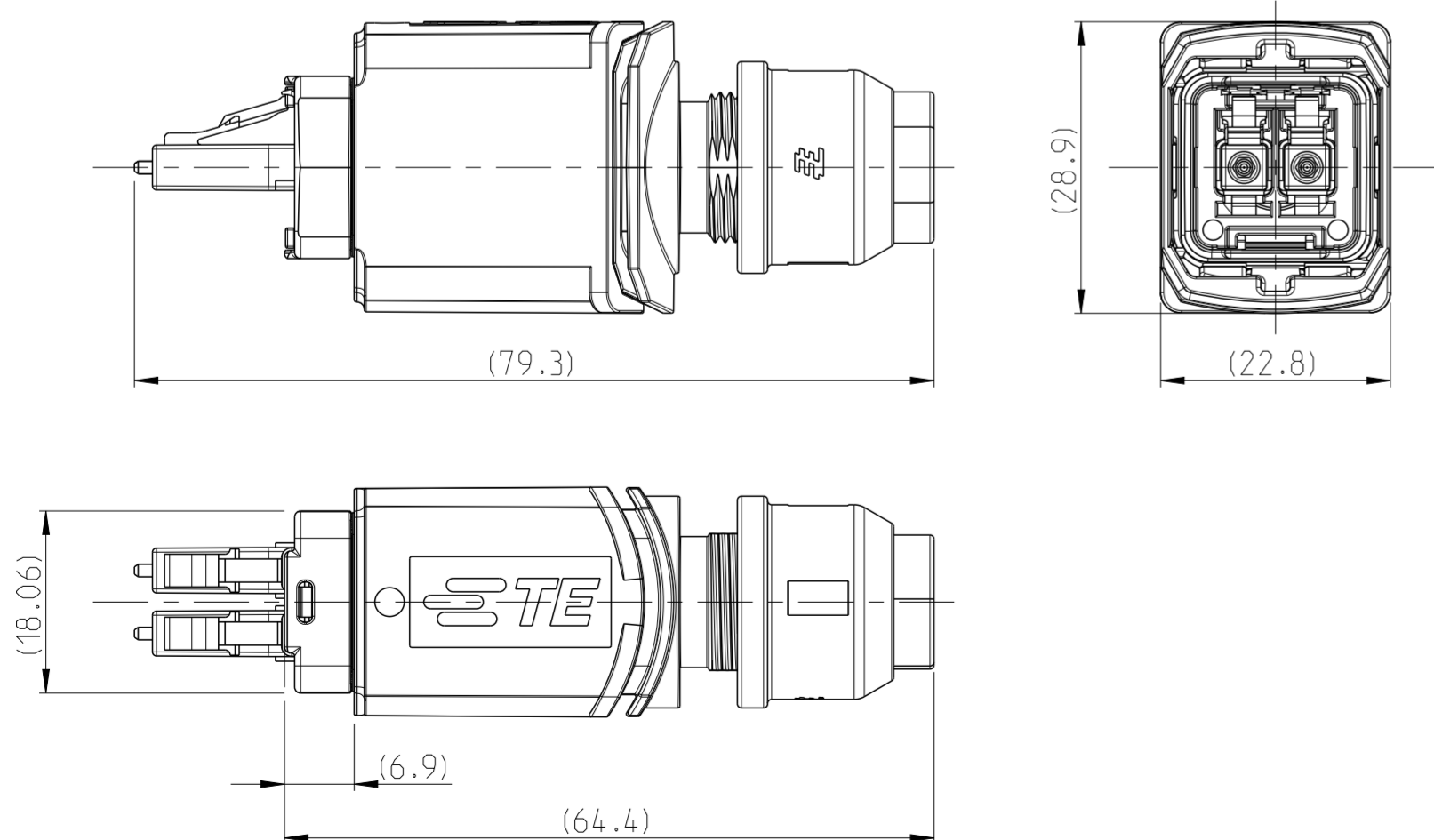


- 1 MOUNTING-CYCLE:
  - APPLICATION SEE INSTRUCTION SHEET 411-18565
- 2 PACKAGING:
  - CONNECTOR SET PACKED INTO BLISTER PACKAGE
  - BLISTER PACKAGE PACKED INTO CARTON
- 3 CONNECTOR APPLICATION ACC. INSTRUCTION SHEET 408-8925
- 4 NOT SHOWN

- 1 MONTAGE:
  - VERARBEITUNG SIEHE MONTAGEANWEISUNG 411-18565
- 2 VERPACKUNG:
  - STECKER SET IN BLISTERVERPACKUNG VERPACKT
  - BLISTERVERPACKUNG IN KARTON VERPACKT
- 3 STECKERVERBINDER MONTAGE NACH ARBEITSANWEISUNG 408-8925
- 4 NICHT DARGESTELLT

3--1 AS SHOWN  
3--1 WIE GEZEICHNET

DIMENSION IN ASSEMBLED CONDITION  
MASSE IM ASSEMBLIERTEN ZUSTAND  
SCALE / M 3:2



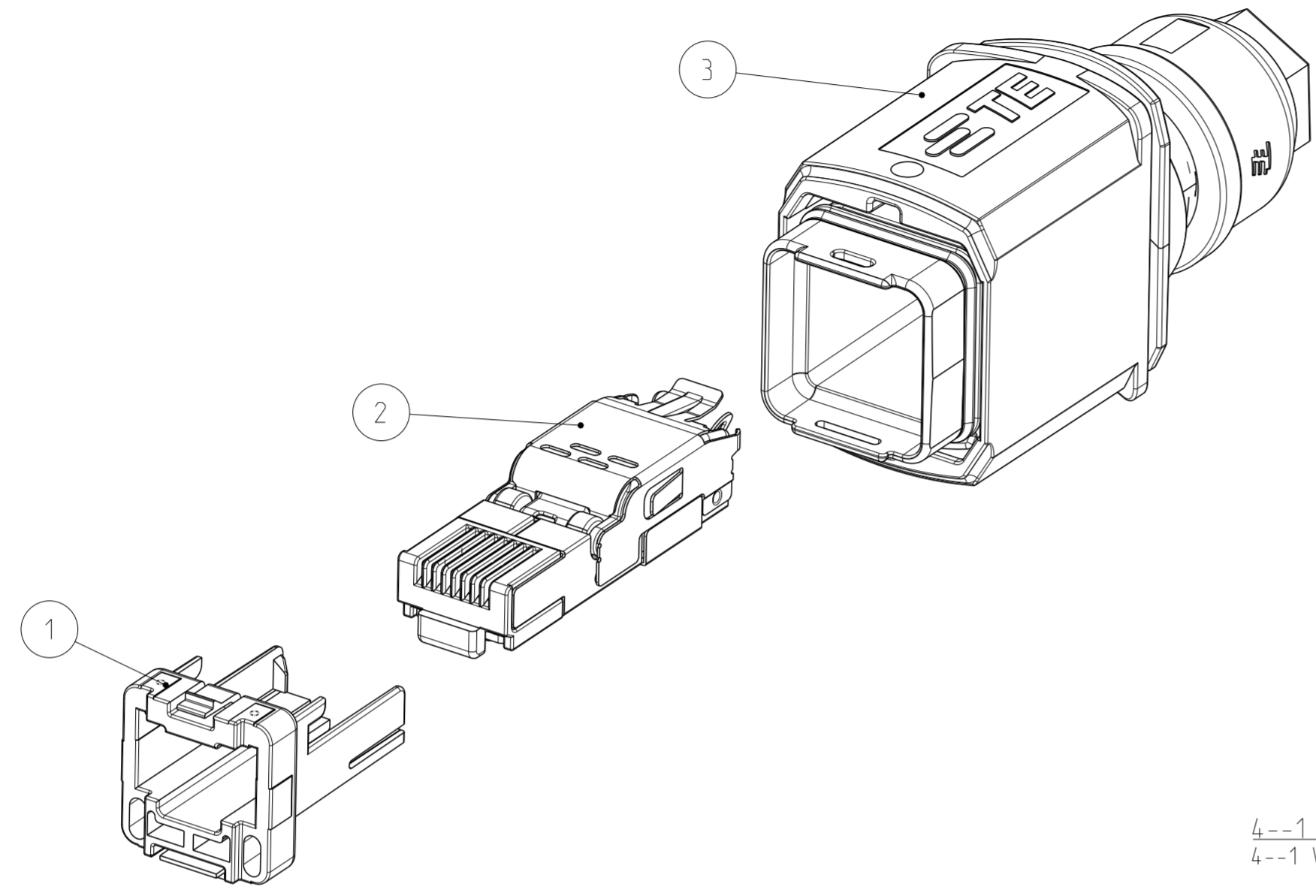
Size ISO 14405 (E)

QUANTITY STÜCK		ITEM-NO. POS.	DESCRIPTION BENENNUNG	SURFACE OBERFLÄCHE COLOUR/FARBE	MATERIAL
-	-	1	5 BLISTER PACKAGE BLISTERVERPACKUNG	-	-
-	-	1	4 INSTRUCTION SHEET MONTAGEANWEISUNG	-	-
-	-	1	3 PUSH PULL, SUB-ASSY PUSH PULL, SUB-ASSY	3-5 µm Ni OVER 8 µm Cu	ZP0410 DIN 12833
-	-	2	2 CONNECTOR ASSEMBLY ONE-PIECE LC, MULTI MODE GLASFASERVERBINDER, LC, MULTIMODE	BLACK SCHWARZ	-
-	-	1	1 ADAPTER FIBER OPTIC PLUG, VARIANT 14 ADAPTER FIBER OPTIC PLUG, VARIANTE 14	BLACK SCHWARZ	PBT-GF20

THIS DRAWING IS A CONTROLLED DOCUMENT. DIMENSIONING AND TOLERANCING PER GPS (ISO STANDARDS)		DWN S. HASS 20SEP2013	 TE Connectivity
DIMENSIONS: MASSEINHEITEN: (MM)		CHK M. STRELOW 20SEP2013	
TOLERANCES UNLESS OTHERWISE SPECIFIED: ALLGEMEINTOLERANZEN		APVD C. SCHRETTLINGER 20SEP2013	
0 PLC ±0.2 1 PLC ±0.2 2 PLC ±0.2 3 PLC ± 4 PLC ± ANGLES/WINKEL ±2° FINISH/OBERFLÄCHE/FARBE		NAME VARIANT 14, PLUG METAL VARIANTE 14, PLUG METALL FIBER OPTIC, LC, MULTI MODE (BEIGE) SIZE A2 CAGE CODE 00779 DRAWING NO. ZEICHNUNGS-NR. C-2120864 RESTRICTED TO NUR FUER -	
MATERIAL	-	WEIGHT GEWICHT 74.9g	SCALE MASSSTAB 2:1
Customer Drawing		/KUNDENZEICHNUNG	SHEET BLATT 4 OF 5 REV A2

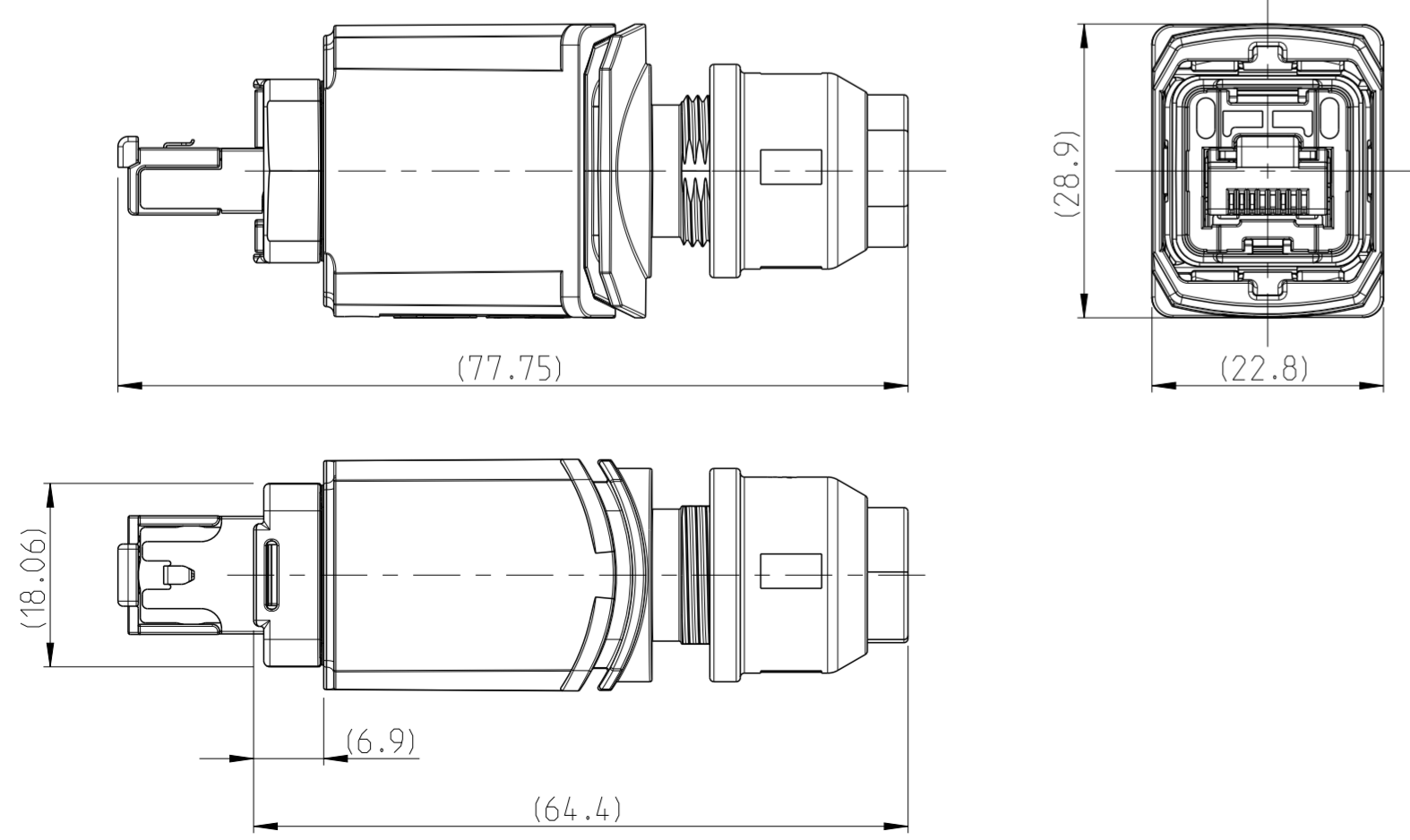
P	LTR	DESCRIPTION BESCHREIBUNG	DATE	DWN	APVD
-	-	SEE SHEET 1	-	-	-



4--1 AS SHOWN  
4--1 WIE GEZEICHNET

- 1 MOUNTING-CYCLE:  
- APPLICATION SEE INSTRUCTION SHEET 411-18564
  - 2 PACKAGING:  
- CONNECTOR SET PACKED INTO BLISTER PACKAGE  
- BLISTER PACKAGE PACKED INTO CARTON
  - 3 RJ45 APPLICATION ACC. IEC 60076-3-117 and INTERFACE DIM.
  - 4 NOT SHOWN
- 
- 1 MONTAGE:  
- VERARBEITUNG SIEHE MONTAGEANWEISUNG 411-18564
  - 2 VERPACKUNG:  
- STECKER SET IN BLISTERVERPACKUNG VERPACKT  
- BLISTERVERPACKUNG IN KARTON VERPACKT
  - 3 RJ45 ANWENDUNG NACH IEC 60076-3-117 UND SCHNITTSTELLENMASSE
  - 4 NICHT DARGESTELLT

DIMENSION IN ASSEMBLED CONDITION  
MASSE IM ASSEMBLIERTEN ZUSTAND  
SCALE / M 3:2



4-2120864-1		<b>TE ORDER-NO. BESTELL-NR.</b>																		
-	-	1	5	BLISTER PACKAGE BLISTERVERPACKUNG	4	-	-													
-	-	1	4	INSTRUCTION SHEET MONTAGEANWEISUNG	1 4	-	-													
-	-	1	3	PUSH PULL, SUB-ASSY PUSH PULL, SUB-ASSY		3-5 µm Ni OVER 8 µm Cu	ZP0410 DIN 12833													
-	-	1	2	CORE 4POS. ASSY KERN 4POL. ASSY		-	-													
-	-	1	1	ADAPTER RJ45, CAT5e, VARIANTE 14, PLUG ADAPTER RJ45, CAT5e, VARIANTE 14, STECKER		BLACK SCHWARZ	PBT-GF20													
QUANTITY STÜCK	ITEM-NO. POS.	DESCRIPTION BENENNUNG		SURFACE OBERFLÄCHE	MATERIAL															
				COLOUR/FARBE																
THIS DRAWING IS A CONTROLLED DOCUMENT. DIMENSIONING AND TOLERANCING PER GPS (ISO STANDARDS)				DWN S. HASS 20SEP2013	<b>STE</b> TE Connectivity															
DIMENSIONS: MASSEINHEITEN: (MM)				CHK M. STRELOW 20SEP2013																
TOLERANCES UNLESS OTHERWISE SPECIFIED: ALLGEMEINTOLERANZEN				APVD C. SCHREITLINGER 20SEP2013																
<table border="1"> <tr> <td>0 PLC</td> <td>±0.2</td> </tr> <tr> <td>1 PLC</td> <td>±0.2</td> </tr> <tr> <td>2 PLC</td> <td>±0.2</td> </tr> <tr> <td>3 PLC</td> <td>±</td> </tr> <tr> <td>4 PLC</td> <td>±</td> </tr> <tr> <td>ANGLES/WINKEL</td> <td>±2°</td> </tr> <tr> <td>FINISH/OBERFLÄCHE/FARBE</td> <td>-</td> </tr> </table>				0 PLC	±0.2	1 PLC	±0.2	2 PLC	±0.2	3 PLC	±	4 PLC	±	ANGLES/WINKEL	±2°	FINISH/OBERFLÄCHE/FARBE	-	PRODUCT SPEC PRODUKTSPEZ. 108-94207	NAME VARIANTE 14, PLUG METAL VARIANTE 14, PLUG METALL RJ45, CAT5e, 4POS	
0 PLC	±0.2																			
1 PLC	±0.2																			
2 PLC	±0.2																			
3 PLC	±																			
4 PLC	±																			
ANGLES/WINKEL	±2°																			
FINISH/OBERFLÄCHE/FARBE	-																			
MATERIAL	-	WEIGHT GEWICHT	78.6g	SIZE A2	CAGE CODE 00779	DRAWING NO. ZEICHNUNGS-NR. C-2120864	RESTRICTED TO NUR FUER -													
Customer Drawing				/KUNDENZEICHNUNG		SCALE MASSSTAB	2:1													
				SHEET BLATT	5	OF VON	5													
				REV	A2															



Компания «ЭлектроПласт» предлагает заключение долгосрочных отношений при поставках импортных электронных компонентов на взаимовыгодных условиях!

Наши преимущества:

- Оперативные поставки широкого спектра электронных компонентов отечественного и импортного производства напрямую от производителей и с крупнейших мировых складов;
- Поставка более 17-ти миллионов наименований электронных компонентов;
- Поставка сложных, дефицитных, либо снятых с производства позиций;
- Оперативные сроки поставки под заказ (от 5 рабочих дней);
- Экспресс доставка в любую точку России;
- Техническая поддержка проекта, помощь в подборе аналогов, поставка прототипов;
- Система менеджмента качества сертифицирована по Международному стандарту ISO 9001;
- Лицензия ФСБ на осуществление работ с использованием сведений, составляющих государственную тайну;
- Поставка специализированных компонентов (Xilinx, Altera, Analog Devices, Intersil, Interpoint, Microsemi, Aeroflex, Peregrine, Syfer, Eurofarad, Texas Instrument, Miteq, Cobham, E2V, MA-COM, Hittite, Mini-Circuits, General Dynamics и др.);

Помимо этого, одним из направлений компании «ЭлектроПласт» является направление «Источники питания». Мы предлагаем Вам помощь Конструкторского отдела:

- Подбор оптимального решения, техническое обоснование при выборе компонента;
- Подбор аналогов;
- Консультации по применению компонента;
- Поставка образцов и прототипов;
- Техническая поддержка проекта;
- Защита от снятия компонента с производства.



#### Как с нами связаться

**Телефон:** 8 (812) 309 58 32 (многоканальный)

**Факс:** 8 (812) 320-02-42

**Электронная почта:** [org@eplast1.ru](mailto:org@eplast1.ru)

**Адрес:** 198099, г. Санкт-Петербург, ул. Калинина, дом 2, корпус 4, литера А.