

9 mm Multi-Ganged Potentiometer



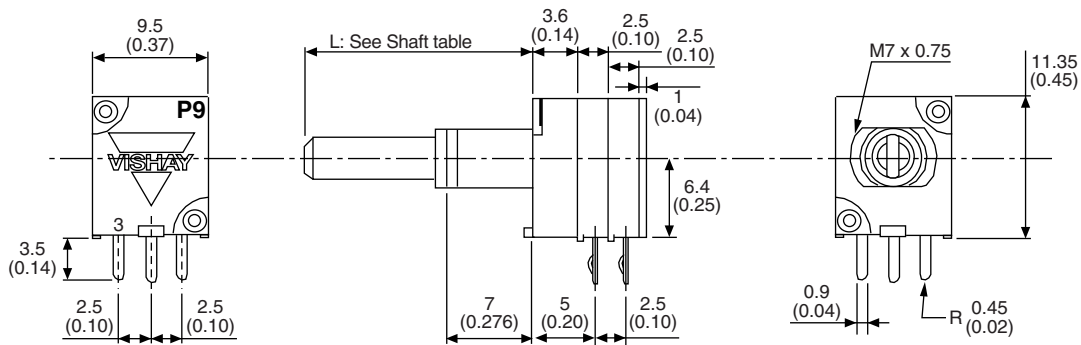
FEATURES

- Conductive plastic element
- Ultra compact (extra miniature module size)
- Multiple assemblies (up to seven modules)
- Shaft and panel sealed option
- Center mechanical detent fully integrated in option
- Center tap option
- Custom designs available on request
- Test according to CECC 41000 or IEC 60393-1
- Material categorization: For definitions of compliance please see www.vishay.com/doc?99912

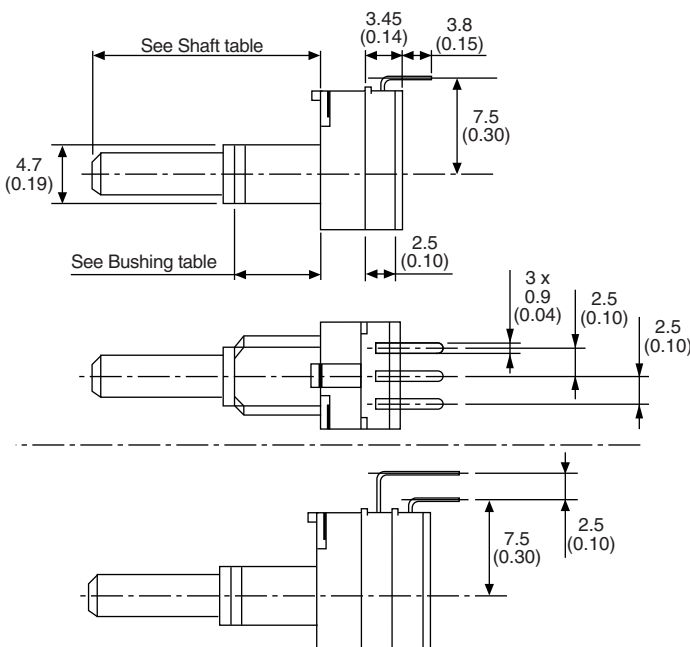


RoHS
COMPLIANT

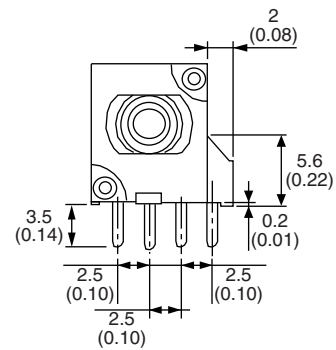
DIMENSIONS in millimeters (inches) ± 0.5 mm (± 0.02")



Vertical Mounting



Center Tap



Center Tap and Vertical Mounting



GENERAL SPECIFICATIONS

| ELECTRICAL SPECIFICATIONS | | |
|------------------------------------------|------------------------------------------------------------------------------------------------------------------------------------------|------------------------------------------------------------|
| Resistive Element | Conductive plastic | |
| Electrical Travel | 270° ± 10° | |
| Power Rating Chart | | |
| Circuit Diagram | | |
| Taper | | |
| Resistance Range | Linear Taper Non-Linear Taper | 1 kΩ to 1 MΩ 2.2 kΩ to 500 kΩ |
| Tolerance | Standard On Request | 20 % 10 % |
| Power Rating at 70 °C | Linear Taper Non-Linear Taper Multiple Assemblies Linear Taper Multiple Assemblies Non-Linear Taper | 0.1 W 0.05 W 0.05 W per module 0.025 W per module |
| Temperature Coefficient (Typical) | ± 500 ppm | |
| Limiting Element Voltage | 10 V _{DC} 50 V _{AC} | |
| End Resistance (Typical) | 3 Ω | |
| Contact Resistance Variation | Linear Law (Typical) | 2 % of nominal resistance |
| Independent Linearity | Linear Law (Typical) | ± 5 % |
| Insulation Resistance | 100 MΩ at 250 V _{DC} | |
| Dielectric Strength | 300 V _{AC} during 1 min | |
| Attenuation (Typical) | 90 dB max./0.05 dB min. | |



| MECHANICAL SPECIFICATIONS | |
|---------------------------|------------------------------------------------------|
| Mechanical Endurance | 25 000 cycles min. |
| Mechanical Travel | 300° ± 5 |
| Operating Torque | 0.2 Ncm to 1.5 Ncm (0.3 oz.-inch to 1.8 oz.-inch) |
| End Stop Torque | 50 Ncm max. (4.4 lb-inch max.) |
| Shaft Push/Pull Force | 7 DaNcm max. (15.7 lbf max.) |
| Weight (One Module) | 6.25 g (without nut and washer) (0.22 oz.) |

| ENVIRONMENTAL SPECIFICATIONS | |
|------------------------------|-------------------|
| Temperature Range | - 55 °C to 100 °C |
| Climatic Category | 55/100/21 |
| Sealing | IP 64 |

| MARKING |
|-------------------------------------------------------------------------------------------------------------------------------------------------------|
| <ul style="list-style-type: none"> • Code for tolerance • Code for ohmic value • Taper • Code for date code |

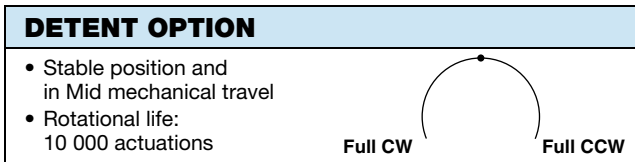
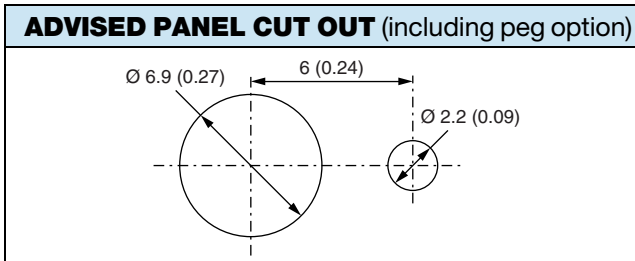
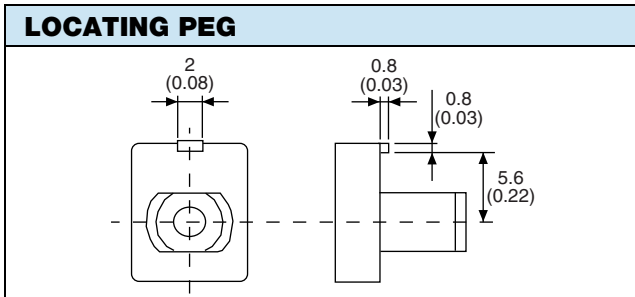
| PACKAGING |
|---------------------------------------------------------------------------------------------------|
| <ul style="list-style-type: none"> • Box of 25 pieces • Box of 100 pieces |

| PERFORMANCES | | | | |
|-------------------------|---------------------------------------------------------------------------------------------------------|--------------------------|------------------------------|------------------------------------------------------|
| TESTS | CONDITIONS | TYPICAL VALUE AND DRIFTS | | |
| | | $\Delta R_T/R_T$ (%) | $\Delta R_{1-2}/R_{1-2}$ (%) | OTHER |
| Electrical Endurance | 1000 h at rated power 90'/30' - ambient temp. 70 °C | ± 5 % | ± 10 % | Contact resistance variation < 5 % R _n |
| Damp Heat, Steady State | 21 days at 40 °C ± 2 °C and 90 % to 95 % relative humidity | ± 5 % | - | Insulation resistance > 10 MΩ |
| Change of Temperature | Ambient temperature - 55 °C to + 100 °C 5 cycles | ± 0.5 % | - | - |
| Mechanical Endurance | 25 000 cycles at rated power 90 % of electrical travel 16 cycles per minute Temperature: 20 °C | ± 6 % | - | Contact resistance variation ± 12 % |
| Shock | 50 g's, 11 ms 3 shocks - 3 directions | ± 0.2 % | ± 0.5 % | - |
| Vibration | 10 Hz to 55 Hz 0.75 mm or 10 g's 6 h | ± 0.2 % | - | $\Delta V_{1-2}/V_{1-3}$ ± 0.5 % |

| ORDERING INFORMATION (Part Number) | | | | | | | | | | | | | | | | | |
|----------------------------------------------------------------------------------------------------------------------------------------------------------------------------------------------------------------------------------------------------------------------------------------------------------------------------------------------------------------------|-------------------|------------------------------------------------------|--------------|--------------|---------------|-------|-----------|--|--|--|--------------------------------------|--|--|--|--|--|--|
| <div style="display: flex; justify-content: space-around; font-weight: bold; font-size: 1.2em;"> P9A1R100FIRX1103MA </div> | | | | | | | | | | | | | | | | | |
| MODEL | NUMBER OF MODULES | BUSHING | LOCATING PEG | PANEL SEALED | DETENT OPTION | SHAFT | PIN STYLE | | | | RESISTANCE CODE/TOLERANCE CODE/TAPER | | | | | | |
| P9A | 1 to 7 | R = M7 x 0.75 mm to 7 mm X = M7 x 0.75 mm to 5 mm | | | | | | | | | | | | | | | |

| BUSHING | | |
|----------------------------------|----------------------------------|---------------------------------------------------------------------------------------------------------------------------------------------------------------------------------|
| X: Bushing | R: Bushing | <ul style="list-style-type: none"> Nut tightening torque M7 bushing 120 Ncm max. (10.6 lb-inch max.) Nut and washer are delivered in standard packaging |
| <p>M7 x 0.75</p> <p>5 (0.20)</p> | <p>M7 x 0.75</p> <p>7 (0.28)</p> | <p>10</p> <p>2</p> <p>M7 x 0.75</p> <p>0.7</p> |

| ORDERING INFORMATION (Part Number) | | | | | | | | | | | | | | | | | |
|------------------------------------|-------------------|---------|-------------------------|-------------------------|----------------------------------|----------------|-----------|---|---|--------------------------------------|---|---|---|---|---|---|---|
| P | 9 | A | 1 | R | 1 | 0 | 0 | F | I | R | X | 1 | 1 | 0 | 3 | M | A |
| MODEL | NUMBER OF MODULES | BUSHING | LOCATING PEG | PANEL SEALED | DETENT OPTION | SHAFT | PIN STYLE | | | RESISTANCE CODE/TOLERANCE CODE/TAPER | | | | | | | |
| | | | 0 = Without 1 = With | 0 = Without P = With | 0 = Without M = Center detent | See code below | | | | | | | | | | | |



PANEL SEALED

- Only for R and X bushing without locating peg
- Front mounting surface with panel sealed option is: 6.2 mm ± 0.5 mm length for R bushing and 4.2 mm ± 0.5 mm length for X bushing
- The ring is delivered with nut and washer
- The seal should be placed between panel and body. Sealing is obtained by tightening the seal against the panel when mounting the potentiometer. Tightening torque 50 Ncm up to 100 Ncm
- Advised panel hole dimensions:

SHAFT DIAMETER - FMS - STYLE

| L (mm) | 15 | | | | 20 | | | 25 | | | 30 | | |
|--------|-------|---------|------|--------------------|-------|---------|------|-------|---------|------|-------|---------|------|
| Style | Round | Slotted | Flat | Knurled | Round | Slotted | Flat | Round | Slotted | Flat | Round | Slotted | Flat |
| Ø 3.5 | DFR | DFS | DFF | - | DIR | DIS | DIF | DLR | DLS | DLF | DMR | DMS | DMF |
| Ø 6 | FFR | FFS | FFF | FGK ⁽¹⁾ | FIR | FIS | FIF | FLR | FLS | FLF | FMR | FMS | FMF |

Note
(1) For X bushing (16 mm)



| ORDERING INFORMATION (Part Number) | | | | | | | | | | | | | | | | | |
|------------------------------------|-------------------|---------|--------------|--------------|---------------|-------|--------------------------------------------------------------------------------------------------------------------------------------|---|---|---|--------------------------------------|---|---|---|---|---|---|
| P | 9 | A | 1 | R | 1 | 0 | 0 | F | I | R | X | 1 | 1 | 0 | 3 | M | A |
| MODEL | NUMBER OF MODULES | BUSHING | LOCATING PEG | PANEL SEALED | DETENT OPTION | SHAFT | PIN STYLE | | | | RESISTANCE CODE/TOLERANCE CODE/TAPER | | | | | | |
| | | | | | | | See Pin table First digit: Pin type X, J, S, Z, P, L W or N Second digit: Pin configuration 1, 2, 3, 4 or N | | | | | | | | | | |

| PIN STYLE - HORIZONTAL MOUNTING | | | |
|---------------------------------|-----------------------------------------------------------|-------------------|--|
| PIN TYPE | | | |
| X | PC mount | | |
| J | PC mount center tap | | |
| S | Soldering style | | |
| Z | Center tap soldering style | | |
| L | Long pin | | |
| P | Center tap with long pin | | |
| NN | If different types of pin style in the same potentiometer | | |
| PIN CONFIGURATION | | | |
| 1 | 2 | 3 | |
| | | | |
| | | | |
| 2.5 mm between gang | 2.5 mm - 5 mm - 2.5 mm between gang | 5 mm between gang | |

| ORDERING INFORMATION (Part Number) | | | | | | | | | | | | | | | | | |
|------------------------------------|-------------------|---------|--------------|--------------|---------------|-------|--------------------------------------------------------------------------------------------------------------------------------------|---|---|---|---|--------------------------------------|---|---|---|---|---|
| P | 9 | A | 1 | R | 1 | 0 | 0 | F | I | R | X | 1 | 1 | 0 | 3 | M | A |
| MODEL | NUMBER OF MODULES | BUSHING | LOCATING PEG | PANEL SEALED | DETENT OPTION | SHAFT | PIN STYLE | | | | | RESISTANCE CODE/TOLERANCE CODE/TAPER | | | | | |
| | | | | | | | See Pin table First digit: Pin type X, J, S, Z, P, L W or N Second digit: Pin configuration 1, 2, 3, 4 or N | | | | | | | | | | |

| PIN STYLE - VERTICAL MOUNTING | | | |
|-------------------------------|-----------------------------------------------|--|--|
| W1 | Single gang vertical mounting | | |
| W2 | Dual gang vertical mounting | | |
| W3 | Single gang with center tap vertical mounting | | |
| W4 | Dual gang with center tap vertical mounting | | |



| ORDERING INFORMATION (Part Number) | | | | | | | | | | | | | | | | | |
|------------------------------------|-------------------|---------|--------------|--------------|---------------|-------|-----------|---|---|---|------------------------------------------------------------------------------------------------------------------------------------------------------------------------------------------|--------------------------------------|---|---|---|---|---|
| P | 9 | A | 1 | R | 1 | 0 | 0 | F | I | R | X | 1 | 1 | 0 | 3 | M | A |
| MODEL | NUMBER OF MODULES | BUSHING | LOCATING PEG | PANEL SEALED | DETENT OPTION | SHAFT | PIN STYLE | | | | | RESISTANCE CODE/TOLERANCE CODE/TAPER | | | | | |
| | | | | | | | | | | | Resistance code: 102 = 1 kΩ to 105 = 1 MΩ Tolerance code: Standard: M = ± 20 % On request: K = ± 10 % Taper: A, L, W, F, S, R or special code given by Vishay | | | | | | |

| SPECIAL CODES GIVEN BY VISHAY |
|--------------------------------------------------------------------------------------------------------------------------------------------------------------------------------------------------|
| <ul style="list-style-type: none"> • Custom shaft • Design on request • Specific linearity • Specific interlinearity • Specific variation law |

| PART NUMBER DESCRIPTION (for information only) | | | | | | | | | | | | | | |
|------------------------------------------------|---------|---------|--------------|-----------------|----------------|-------|-------|-------|-------|------|-------|---------|---------|----------------|
| P9A | 1 | R | 1 | 0 | 0 | FI | R | X1 | 10K | 20 % | A | | | e3 |
| MODEL | MODULES | BUSHING | LOCATING PEG | SEALING OPTIONS | DETENT OPTIONS | SHAFT | SHAFT | LEADS | VALUE | TOL. | TAPER | SPECIAL | SPECIAL | LEAD (Pb)-FREE |



Disclaimer

ALL PRODUCT, PRODUCT SPECIFICATIONS AND DATA ARE SUBJECT TO CHANGE WITHOUT NOTICE TO IMPROVE RELIABILITY, FUNCTION OR DESIGN OR OTHERWISE.

Vishay Intertechnology, Inc., its affiliates, agents, and employees, and all persons acting on its or their behalf (collectively, "Vishay"), disclaim any and all liability for any errors, inaccuracies or incompleteness contained in any datasheet or in any other disclosure relating to any product.

Vishay makes no warranty, representation or guarantee regarding the suitability of the products for any particular purpose or the continuing production of any product. To the maximum extent permitted by applicable law, Vishay disclaims (i) any and all liability arising out of the application or use of any product, (ii) any and all liability, including without limitation special, consequential or incidental damages, and (iii) any and all implied warranties, including warranties of fitness for particular purpose, non-infringement and merchantability.

Statements regarding the suitability of products for certain types of applications are based on Vishay's knowledge of typical requirements that are often placed on Vishay products in generic applications. Such statements are not binding statements about the suitability of products for a particular application. It is the customer's responsibility to validate that a particular product with the properties described in the product specification is suitable for use in a particular application. Parameters provided in datasheets and/or specifications may vary in different applications and performance may vary over time. All operating parameters, including typical parameters, must be validated for each customer application by the customer's technical experts. Product specifications do not expand or otherwise modify Vishay's terms and conditions of purchase, including but not limited to the warranty expressed therein.

Except as expressly indicated in writing, Vishay products are not designed for use in medical, life-saving, or life-sustaining applications or for any other application in which the failure of the Vishay product could result in personal injury or death. Customers using or selling Vishay products not expressly indicated for use in such applications do so at their own risk. Please contact authorized Vishay personnel to obtain written terms and conditions regarding products designed for such applications.

No license, express or implied, by estoppel or otherwise, to any intellectual property rights is granted by this document or by any conduct of Vishay. Product names and markings noted herein may be trademarks of their respective owners.

Material Category Policy

Vishay Intertechnology, Inc. hereby certifies that all its products that are identified as RoHS-Compliant fulfill the definitions and restrictions defined under Directive 2011/65/EU of The European Parliament and of the Council of June 8, 2011 on the restriction of the use of certain hazardous substances in electrical and electronic equipment (EEE) - recast, unless otherwise specified as non-compliant.

Please note that some Vishay documentation may still make reference to RoHS Directive 2002/95/EC. We confirm that all the products identified as being compliant to Directive 2002/95/EC conform to Directive 2011/65/EU.

Vishay Intertechnology, Inc. hereby certifies that all its products that are identified as Halogen-Free follow Halogen-Free requirements as per JEDEC JS709A standards. Please note that some Vishay documentation may still make reference to the IEC 61249-2-21 definition. We confirm that all the products identified as being compliant to IEC 61249-2-21 conform to JEDEC JS709A standards.



Компания «ЭлектроПласт» предлагает заключение долгосрочных отношений при поставках импортных электронных компонентов на взаимовыгодных условиях!

Наши преимущества:

- Оперативные поставки широкого спектра электронных компонентов отечественного и импортного производства напрямую от производителей и с крупнейших мировых складов;
- Поставка более 17-ти миллионов наименований электронных компонентов;
- Поставка сложных, дефицитных, либо снятых с производства позиций;
- Оперативные сроки поставки под заказ (от 5 рабочих дней);
- Экспресс доставка в любую точку России;
- Техническая поддержка проекта, помощь в подборе аналогов, поставка прототипов;
- Система менеджмента качества сертифицирована по Международному стандарту ISO 9001;
- Лицензия ФСБ на осуществление работ с использованием сведений, составляющих государственную тайну;
- Поставка специализированных компонентов (Xilinx, Altera, Analog Devices, Intersil, Interpoint, Microsemi, Aeroflex, Peregrine, Syfer, Eurofarad, Texas Instrument, Miteq, Cobham, E2V, MA-COM, Hittite, Mini-Circuits, General Dynamics и др.);

Помимо этого, одним из направлений компании «ЭлектроПласт» является направление «Источники питания». Мы предлагаем Вам помощь Конструкторского отдела:

- Подбор оптимального решения, техническое обоснование при выборе компонента;
- Подбор аналогов;
- Консультации по применению компонента;
- Поставка образцов и прототипов;
- Техническая поддержка проекта;
- Защита от снятия компонента с производства.



Как с нами связаться

Телефон: 8 (812) 309 58 32 (многоканальный)

Факс: 8 (812) 320-02-42

Электронная почта: org@eplast1.ru

Адрес: 198099, г. Санкт-Петербург, ул. Калинина, дом 2, корпус 4, литера А.