

QUINT-PS/ 1AC/48DC/10

SFB
TECHNOLOGY

Primary-switched power supply with SFB technology, 1 AC, output current 10 A

INTERFACE

Data Sheet
103381_en_02

© PHOENIX CONTACT - 03/2009



1 Description

QUINT POWER power supply units – highest system availability due to SFB technology
Compact power supply units of the new QUINT POWER generation maximize the availability of your system. Even the standard power circuit-breakers can be tripped reliably and quickly with the SFB technology (Selective Fusebreaking Technology) and six times the nominal current for 12 ms. Defective current paths are disconnected selectively, the defect is limited and the important system parts remain in operation. A comprehensive diagnostics is carried out by continuously monitoring the output voltage and current. This preventive function monitoring visualizes the critical operating modes and reports them to the control unit before an error occurs.

Features

- Quick tripping of standard power circuit breakers with dynamic SFB technology power reserve
- Reliable starting of difficult loads with static POWER BOOST power reserve
- Preventive function monitoring
- Can be used worldwide
- High degree of operational safety due to high MTBF > 500 000 h, long mains buffering times > 20 ms, high dielectric strength up to 300 V AC



DANGER OF EXPLOSION!

Only remove equipment when it is disconnected and not in the potentially explosive area.



DANGER

The device contains dangerous live elements and high levels of stored energy.
Never carry out work when the power is turned on.



Make sure you always use the latest documentation.
It can be downloaded at www.phoenixcontact.net/download

2 Table of contents

1 Description 1

2 Table of contents 2

3 Ordering data 3

4 Technical data 3

5 Structure 6

6 Block diagram 7

7 Safety notes 7

8 Installation 8

9 Installation position 8

10 Mounting on DIN rails 9

 Slim-style installation 9

 Low-profile installation 9

11 Connection to various systems 10

12 Input 10

 Protection of the primary side 10

 Recommended backup fuse for mains protection 10

13 Output 11

 Protection of the secondary side 11

14 Signaling 11

 Floating contact 12

 Active signal outputs 12

 Signal loop 12

15 Function 13

 Output characteristic curve 13

 Thermal behavior 13

 Parallel operation 14

 Redundant operation 14

 Increased performance 14

3 Ordering data

| Description | Type | Order No. | Pcs. / Pkt. |
|--|-----------------------|-----------|-------------|
| Primary-switched power supply with SFB technology, 1 AC, output current 10 A | QUINT-PS/ 1AC/48DC/10 | 2866682 | 1 |
| Accessories | Type | Order No. | Pcs. / Pkt. |
| Universal wall adapter | UWA 182/52 | 2938235 | 1 |

4 Technical data

| Input data | |
|--|--|
| Input nominal voltage range | 100 V AC ... 240 V AC |
| AC input voltage range | 85 V AC ... 264 V AC |
| Short-term input voltage | 300 V AC |
| DC input voltage range | 90 V DC ... 350 V DC |
| AC frequency range | 45 Hz ... 65 Hz |
| DC frequency range | 0 Hz |
| Current consumption | Approx. 5.1 A (120 V AC) Approx. 2.3 A (230 V AC) |
| Inrush current limitation | < 20 A (typical) |
| I^2t | < 3.2 A ² s |
| Power failure bypass | > 20 ms (120 V AC) > 20 ms (230 V AC) |
| Typical response time | < 1 s |
| Protective circuitry | Transient surge protection Varistor |
| Input fuse, integrated | 12 A (slow-blow, internal) |
| Recommended backup fuse for mains protection | 10 A 16 A (characteristic B) |
| Discharge current to PE | < 3.5 mA |
| Output data | |
| Nominal output voltage | 48 V DC \pm 1% |
| Setting range of the output voltage | 30 V DC ... 56 V DC (> 48 V constant capacity) |
| Output current | 10 A (-25°C ... 70°C) 13 A (with POWER BOOST, -25°C ... 40°C permanent) 60 A (with SFB technology, 12 ms) |
| Derating | From +60°C 2.5% per Kelvin |
| Current limitation | $I_{BOOST} = 13$ A (for short circuit), approximately |
| Control deviation | < 1 % (change in load, static 10% ... 90%) < 2 % (change in load, dynamic 10% ... 90%) < 0.1 % (change in input voltage \pm 10%) |
| Power loss nominal load max. | 41 W |
| Maximum power dissipation idling | 16 W |
| Efficiency | > 93 % (for 230 V AC and nominal values) |
| Ascent time | < 0.5 ms (U_{OUT} (10% ... 90%)) |
| Residual ripple | < 80 mV _{PP} (with nominal values) |
| Connection in parallel | Yes, for redundancy and increased capacity |
| Connection in series | Yes |
| Surge protection against internal surge voltages | yes, limited to approx. 60 V DC |
| Resistance to reverse feed | Max. 60 V DC |

DC OK active

| | |
|--------------------|---|
| Output description | $U_{OUT} > 0.9 \times U_N$: High signal |
| Voltage | + 24 V DC |
| Current | ≤ 20 mA (short circuit resistant) |
| Status display | "DC OK" LED green / $U_{OUT} < 0.9 \times U_N$: LED flashing |

DC OK floating

| | |
|--------------------|---|
| Output description | Relay contact, $U_{OUT} > 0.9 \times U_N$: Contact closed |
| Voltage | ≤ 30 V AC/DC (≤ 0.5 A / at 60 V AC/DC) |
| Current | ≤ 1 A |
| Status display | "DC OK" LED green / $U_{OUT} < 0.9 \times U_N$: LED flashing |

POWER BOOST, active

| | |
|--------------------|--|
| Output description | $I_{OUT} < I_N$: High signal |
| Voltage | + 24 V DC |
| Current | ≤ 20 mA (short circuit resistant) |
| Status display | LED "BOOST", yellow / $I_{OUT} > I_N$: LED on |

General data

| | |
|--|---|
| Insulation voltage input/output | 4 kV AC (type test) 2 kV AC (routine test) |
| Insulation voltage input / PE | 3.5 kV AC (type test) 2 kV AC (routine test) |
| Insulation voltage output / PE | 500 V DC (routine test) |
| Degree of protection | IP20 |
| Class of protection | I, with PE connection |
| MTBF | > 500 000 h in acc. with IEC 61709 (SN 29500) |
| Housing material | Steel sheet, zinc-plated |
| Dimensions W / H / D (state of delivery) | 90 mm / 130 mm / 125 mm |
| Dimensions W / H / D (90° turned) | 122 mm / 130 mm / 93 mm |
| Weight | 1.7 kg |

Ambient conditions

| | |
|--|---|
| Ambient temperature (operation) | -25 °C ... 70 °C (> 60°C derating) |
| Ambient temperature (storage/transport) | -40 °C ... 85 °C |
| Max. permissible relative humidity (operation) | 95 % (at 25°C, no condensation) |
| Vibration (operation) | < 15 Hz, amplitude ± 2.5 mm in acc. with IEC 60068-2-6 15 Hz ... 150 Hz, 2.3g, 90 min. |
| Shock | 30g in all directions in acc. with IEC 60068-2-27 |
| Pollution degree in acc. with EN 50178 | 2 |
| Climatic class | 3K3 (in acc. with EN 60721) |

Standards

| | |
|--|---------------------------------------|
| Electrical Equipment for Machinery | EN 60204 |
| Safety transformers for power supply units | IEC 61558-2-17 |
| Electrical safety (of information technology equipment) | IEC 60950/VDE 0805 (SELV) |
| Electronic equipment for use in electrical power installations | EN 50178/VDE 0160 (PELV) |
| SELV | IEC 60950 (SELV) and EN 60204 (PELV) |
| Safe isolation | DIN VDE 0100-410 DIN VDE 0106-1010 |
| Protection against electric shock | DIN 57100-410 |
| Protection against electric shock, basic requirements for safe isolation in electrical equipment | DIN VDE 0106-101 |

Standards (Continued)

| | |
|---------------------------------------|--------------------|
| Limitation of mains harmonic currents | EN 61000-3-2 |
| Device safety | GS (tested safety) |
| Network variants (undervoltage) | Semi F47-200 |
| Certificate | CB Scheme |

Approvals

| | |
|--------------|----------------|
| UL approvals | UL applied for |
|--------------|----------------|

Conformance with EMC guideline 2004/108/EC and for low-voltage guideline 2006/95/EC

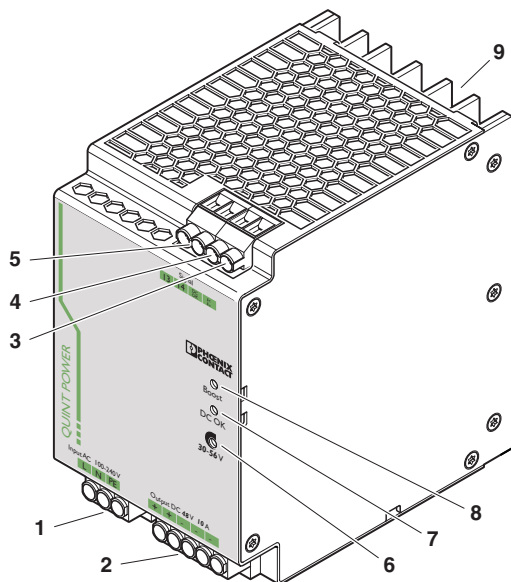
Noise immunity according to EN 61000-6-2

| | |
|-----------------------------|--|
| Electrostatic discharge | EN 61000-4-2 |
| Housing | Level 4 |
| Contact discharge | 8 kV |
| Discharge in air | 15 kV |
| Comments | Criterion B |
| Electromagnetic HF field | EN 61000-4-3 |
| Housing | Level 4 |
| Frequency range | 80 MHz ... 1000 MHz |
| Field intensity | 20 V/m |
| Comments | Criterion A |
| Fast transients (burst) | EN 61000-4-4 |
| Input | 4 kV (level 4 - asymmetrical) |
| Output | 2 kV (level 1 - asymmetrical) |
| Signal | 1 kV (level 1 - asymmetrical) |
| Comments | Criterion B |
| Surge current loads (surge) | EN 61000-4-5 |
| Input | 4 kV (inst. class 4 - asymmetrical: conductor to ground) 2 kV (inst. class 4 - symmetrical: conductor to conductor) |
| Output | 2 kV (level 3 - asymmetrical: conductor to ground) 1 kV (level 1 - symmetrical: conductor to conductor) |
| Signal | 1 kV (level 3 - asymmetrical: conductor to ground) |
| Comments | Criterion B |
| Conducted interference | EN 61000-4-6 |
| Input/Output/Signal | Level 3 - asymmetrical |
| Frequency range | 0.15 MHz ... 80 MHz |
| Voltage | 10 V |
| Comments | Criterion A |
| Voltage dips | EN 61000-4-11 |
| Input | (mains buffering > 20 ms) |
| Comments | Criterion B |

Emitted interference in acc. with EN 61000-6-3

| | |
|--|--|
| Radio interference voltage in acc. with EN 55011 | EN 55011 (EN 55022) Class B, area of application: Industry and residential |
| Emitted radio interference in acc. with EN 55011 | EN 55011 (EN 55022) Class B, area of application: Industry and residential |

5 Structure



- 1 AC input
- 2 DC output
- 3 POWER BOOST switching output, active
- 4 DC OK switching output active
- 5 DC OK output, floating
- 6 Potentiometer 30 V DC ... 56 V DC
- 7 "DC OK" LED
- 8 "BOOST" LED
- 9 Universal DIN rail adapter UTA 107/30

| | [mm ²] | | AWG | [Nm] Torque |
|--------|--------------------|----------|---------|----------------|
| | solid | stranded | | |
| Input | 0.2 - 6 | 0.2 - 4 | 18 - 10 | 0.5 - 0.6 |
| Output | 0.2 - 6 | 0.2 - 4 | 12 - 10 | 0.5 - 0.6 |
| Signal | 0.2 - 6 | 0.2 - 4 | 18 - 10 | 0.5 - 0.6 |

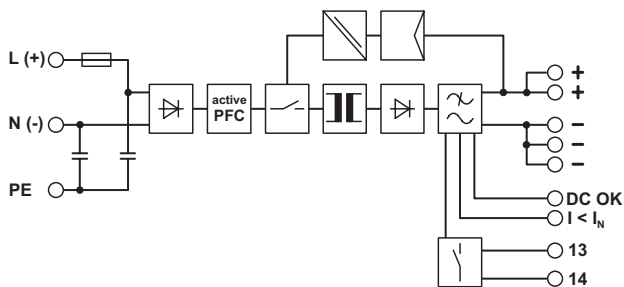
Input data

| | |
|--|---------------------------------|
| Input nominal voltage range | 100 V AC ... 240 V AC |
| AC input voltage range | 85 V AC ... 264 V AC |
| Short-term input voltage | 300 V AC |
| DC input voltage range | 90 V DC ... 350 V DC |
| AC frequency range | 45 Hz ... 65 Hz |
| DC frequency range | 0 Hz |
| Input fuse, integrated | 12 A (slow-blow, internal) |
| Recommended backup fuse for mains protection | 10 A 16 A (characteristic B) |
| Type of connection | Screw connection |
| Stripping length | 7 mm |

Output data

| | |
|-------------------------------------|---|
| Nominal output voltage | 48 V DC ±1% |
| Setting range of the output voltage | 30 V DC ... 56 V DC (> 48 V constant capacity) |
| Output current | 10 A (-25°C ... 70°C) 13 A (with POWER BOOST, -25°C ... 40°C permanent) 60 A (with SFB technology, 12 ms) |
| Type of connection | Screw connection |
| Stripping length | 7 mm |

6 Block diagram



7 Safety notes



DANGER OF EXPLOSION!

Only remove equipment when it is disconnected and not in the potentially explosive area.

DANGER

The device contains dangerous live elements and high levels of stored energy. Never carry out work when the power is turned on.



WARNING

Before startup please ensure:

The mains connection has been carried out by a competent person and protection against electric shock is guaranteed!

The device can be disconnected outside the power supply unit in accordance with the regulations as in EN 60950 (e.g. through primary side line protection)!

The ground conductor is connected!

All feed lines are sufficiently protected and dimensioned!

All output lines are dimensioned according to the maximum output current of the device or separately protected!

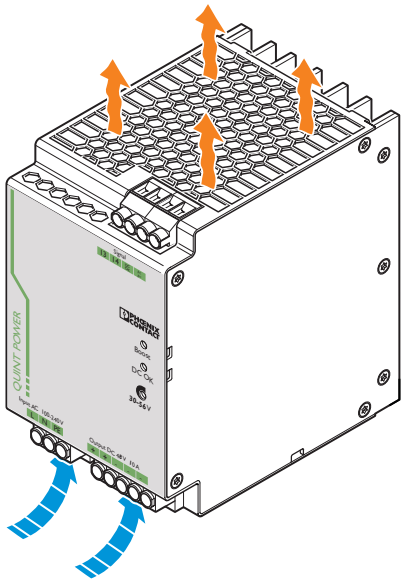
Sufficient convection is guaranteed!



CAUTION

The power supply units are built-in devices. The device may only be installed and put into operation by qualified personnel. The corresponding national regulations must be observed.

8 Installation

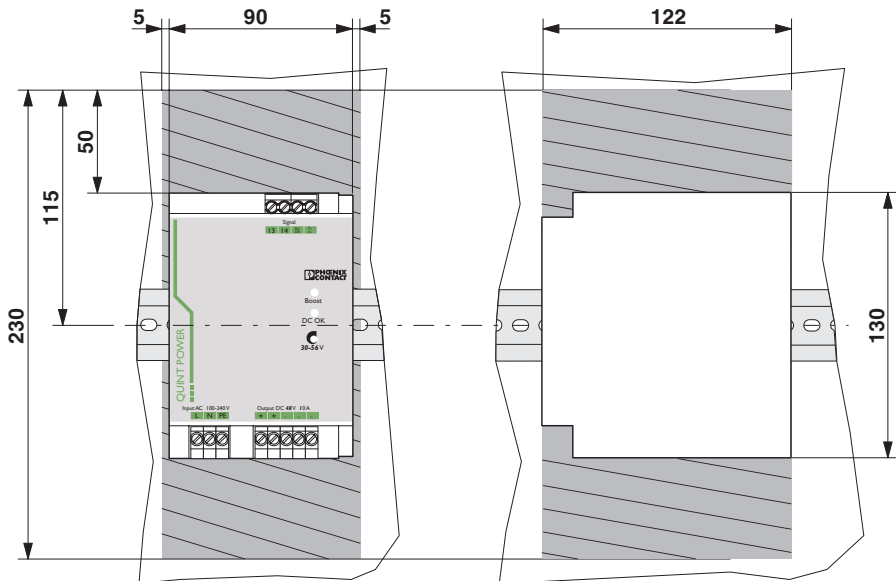


ATTENTION
In order to ensure sufficient convection, we recommend a minimum vertical distance of 5 cm to the other modules.
A lateral distance of 5 mm, and in the case of active components, that of 15 mm is necessary for proper functioning of the module.
Depending on the ambient temperature and the load of the module, the housing can become very hot!



The power supply unit can be snapped onto all DIN rails in acc. with EN 60715. They must be mounted horizontally (connecting terminal blocks top and bottom).

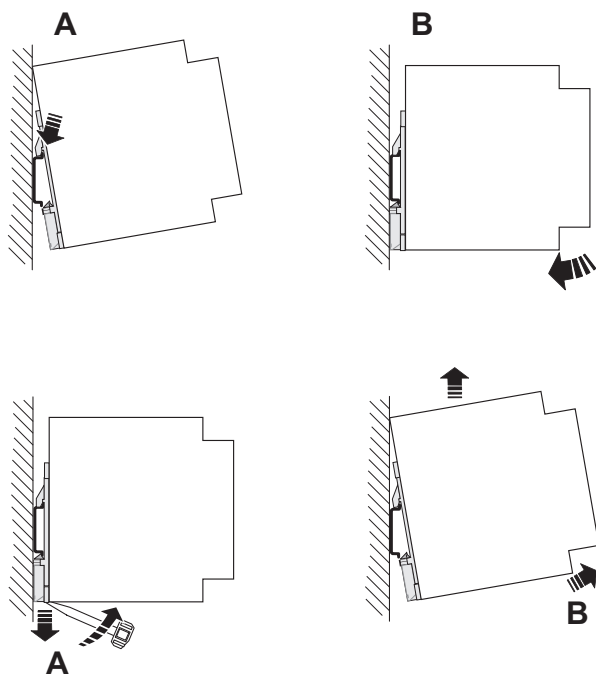
9 Installation position



Slim-style installation: Installation depth 125 mm (+ DIN rail)
(state at delivery)

Low-profile installation: Installation depth 93 mm (+ DIN rail)

10 Mounting on DIN rails



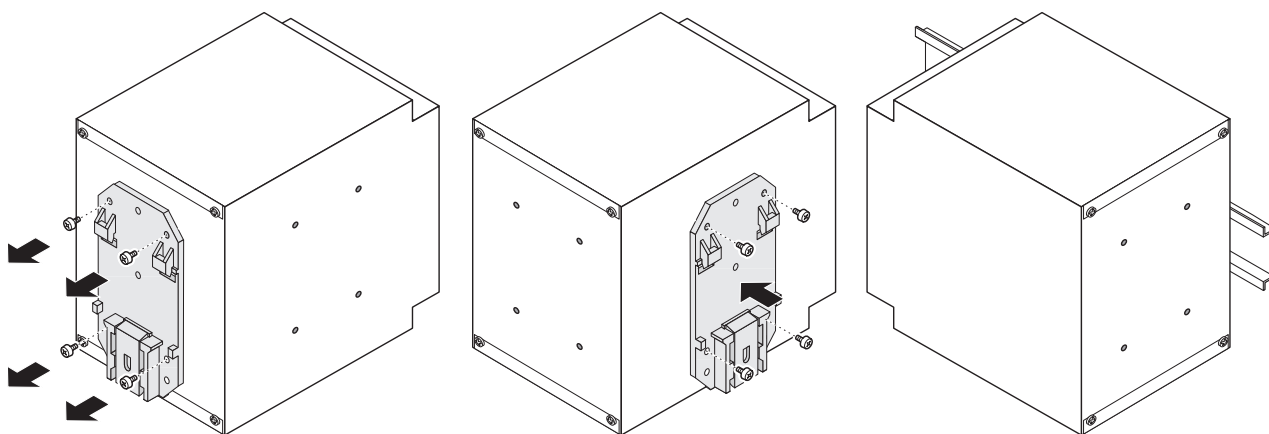
Slim-style installation

Assembly:

Position the module with the DIN rail guide on the upper edge of the DIN rail, and snap it in with a downward motion.

Removing:

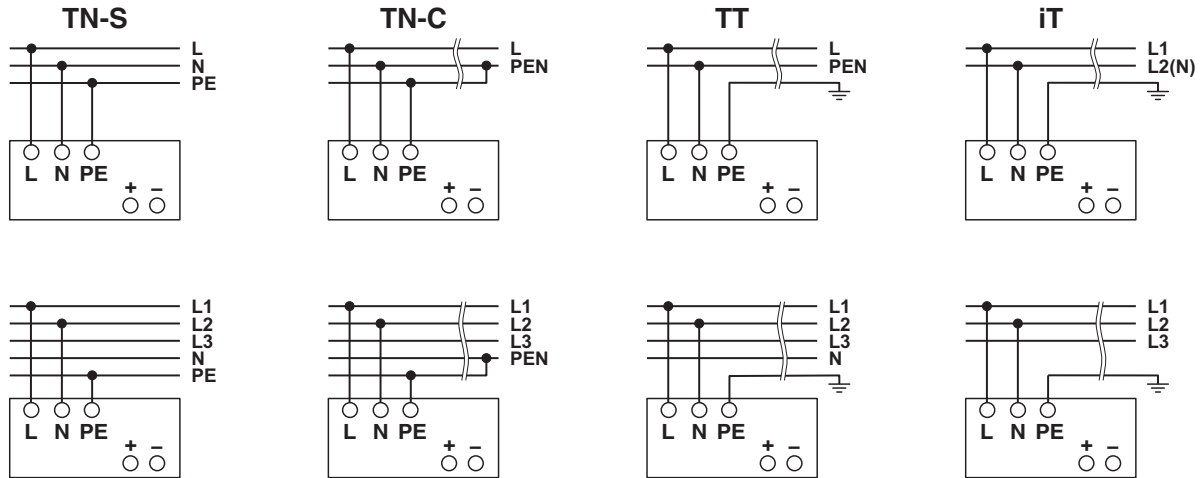
Pull the snap lever open with the aid of a screwdriver and slide the module out at the lower edge of the DIN rail.



Low-profile installation

Low-profile installation can be achieved by mounting the device at right-angles to the DIN rail. Mount the DIN rail adapter (UTA 107/30) as described in the figure. No additional mounting material is required. Fixing screws: Torx T10 (torque 0.8 Nm ... 0.9 Nm).

11 Connection to various systems



The connection for 100 V AC ... 240 V AC is established using the L, N, and P screw connections.

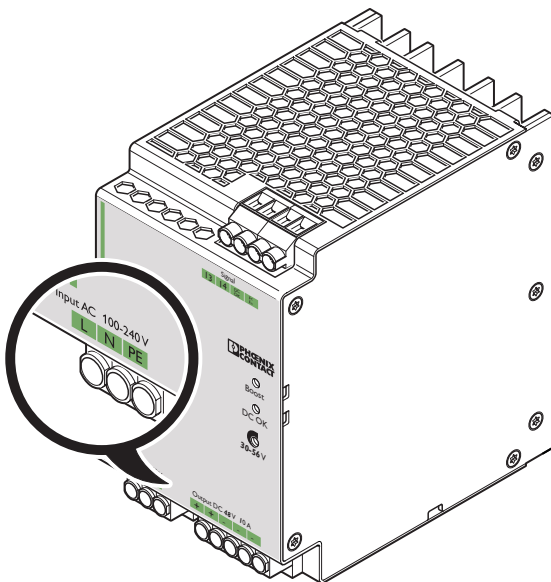
The device can be connected to 1-phase AC networks or to two of the phase conductors of three-phase systems (TN, TT or IT systems) in accordance with VDE 0100-300/IEC 60364-3) with nominal voltages of 100 V AC ... 240 V AC.

The device also continues to work on short-term input voltages > 300 V AC.



For operation on two of the phase conductors of a three-phase system, an isolating facility for all poles must be provided.

12 Input



CAUTION

If an internal fuse is triggered, there is most probably a malfunction in the device. In this case, the device must be inspected in the factory!

Protection of the primary side

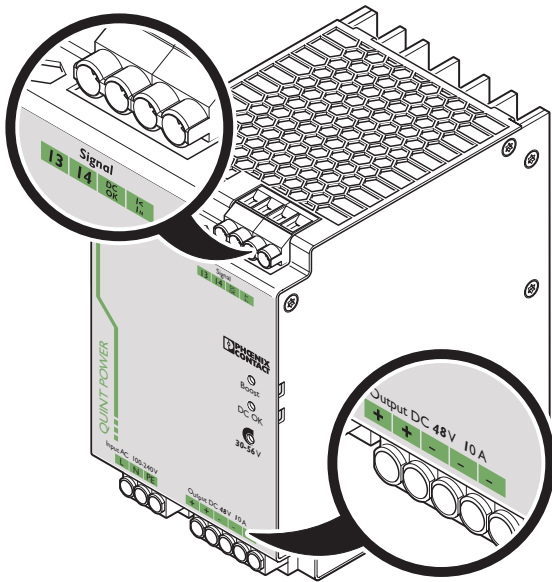
The device must be installed in acc. with the regulations as in EN 60950. It must be possible to disconnect the device using a suitable isolating facility outside the power supply.

The primary side line protection, for example, is suitable. For device protection, there is an internal fuse. Additional device protection is not necessary.

Recommended backup fuse for mains protection

Power circuit breaker 10 A or 16 A, characteristic B (or identical function). In DC applications, a suitable fuse must be wired in upstream.

13 Output



CAUTION

Make sure that all output lines are dimensioned according to the maximum output current or are separately protected. The cables on the secondary side must have sufficiently large cross sections in order to keep the voltage drops on the lines as low as possible.

The connection is established using screw connections on the screw connection of the DC output:
 48 V DC: "+" and "-"; DC OK switching output active: "DC OK" and "-"; DC OK output floating: "13" and "14"; POWER BOOST switching output active: "I < I_N" and "-".
 The set output voltage is 48 V DC at the time of delivery. The output voltage can be set on the potentiometer.

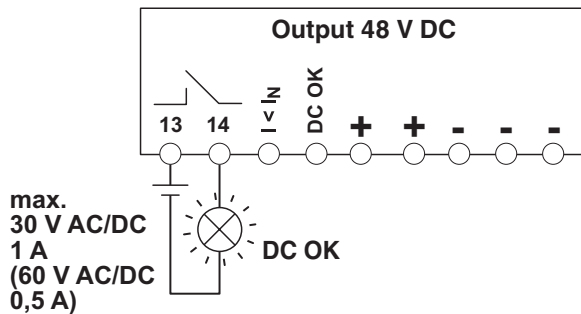
Protection of the secondary side

The device is electronically protected against short circuit and idling. In the event of a malfunction, the output voltage is limited to 60 V DC.

14 Signaling

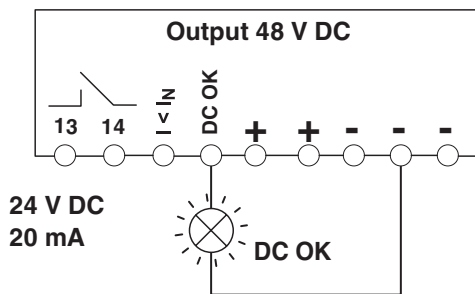
The active signal output, the floating signal contact and the active POWER BOOST switching output are provided for function monitoring. The DC OK-LED and the BOOST-LED also enable the function evaluation of the power supply unit directly on the operation site (refer to the output characteristic curve).

| | $I < I_N$ | $I > I_N$ | $U_{OUT} < 0.9 \times U_N$ |
|-------------------------------------|--------------------------------------|--|--|
| "DC OK" LED | ON | ON | Flashing |
| "BOOST" LED | OFF | ON | ON |
| Active DC OK switching output | ON | ON | OFF |
| Floating DC OK output | Closed | Closed | Open |
| Active POWER BOOST switching output | ON | OFF | OFF |
| Meaning | Normal operation of the power supply | POWER BOOST operation, e.g. to start loads | Overload mode, e.g. consumer short circuit or overload |



Floating contact

The floating signal contact opens and indicates that the set output voltage has undershot by more than 10%. Signals and ohmic loads of up to maximum 30 V and currents of maximum 1 A (or maximum 60 V with maximum 0.5 A) can be switched. For heavily inductive loads such as a relay, a suitable protection circuit (e.g. damping diode) is necessary.



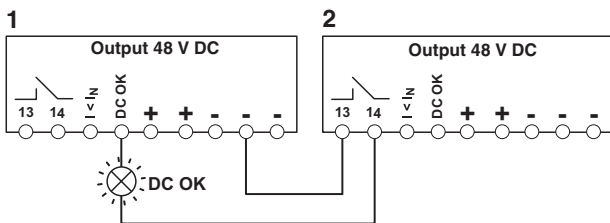
Active signal outputs

The 24 V DC signal is applied between the "DC OK" and the "-" connection terminal blocks, or between "I < I_N" and "-" and can carry up to 20 mA. By switching from "active high" to "low", the DC OK signal output signalizes when the output voltage is fallen short of by more than 10 %.

The DC OK signal is decoupled from the power output. It is thus not possible for devices connected in parallel to act as an external power supply.

The 24 V DC signal can be directly connected to a logic input for evaluation.

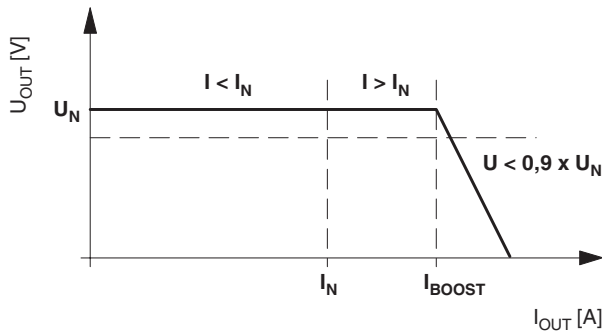
The POWER BOOST signal output signalizes that the nominal current is exceeded.



Signal loop

Monitoring two devices: Use the active signal output of device 1 and loop in the floating signal output of device 2. In the event of malfunctioning, a common alarm is output. Any number of devices can be looped in. This signal combination saves wiring costs and logic inputs.

15 Function



Output characteristic curve

The power supply unit operates with the static POWER BOOST power reserve as per the U/I characteristic curve given in the figure. In case of ambient temperatures $T_{amb} < +40^{\circ}\text{C}$, I_{BOOST} is available permanently; it is available only for a few minutes in case of higher temperatures. In the event of a secondary short circuit and overload, the output current is limited to I_{BOOST} . Thereby, the module does not switch off, but supplies a continuous output current. The secondary voltage is reduced until the short circuit has been remedied. The U/I characteristic curve with the POWER BOOST power reserve ensures that high inrush currents of capacitive loads and of consumers with DC/DC converters in the input circuit can be fed reliably.

In order to trip the standard power circuit breakers magnetically and thus very quickly, QUINT POWER supplies six times the nominal current for 12 ms with the help of the SFB technology. The defective current path is switched off using this dynamic power reserve; consumers connected in parallel continue to operate without an interruption. The error is thus restricted and the important system parts continue to operate.

The characteristic curve shows when $I < I_N$, $I > I_N$ and $U < 0.9 \times U_N$. The relevant signaling is given in the table.

$$U_N = 48 \text{ V}$$

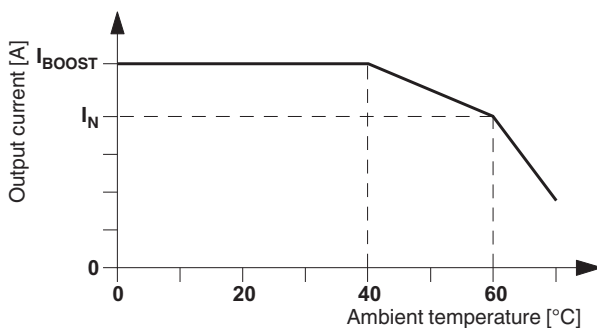
$$I_N = 10 \text{ A}$$

$$I_{BOOST} = 13 \text{ A}$$

$$\text{SFB technology} = 60 \text{ A}$$

$$P_N = 480 \text{ W}$$

$$P_{BOOST} = 624 \text{ W}$$



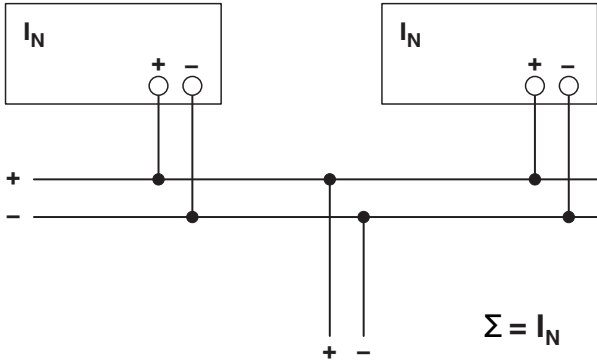
Thermal behavior

With an ambient temperature of up to $+40^{\circ}\text{C}$, the device supplies the continuous output current of I_{BOOST} . The device can supply a nominal output current of I_N with ambient temperatures of up to $+60^{\circ}\text{C}$. In the case of ambient temperatures above $+60^{\circ}\text{C}$, the output current must be reduced by 2.5% per Kelvin increase in temperature. The device does not switch off at ambient temperatures of $+70^{\circ}\text{C}$ or thermal overload. The output capacity is reduced as far as necessary to provide device protection. After it has cooled down, the output capacity is increased again.

Parallel operation

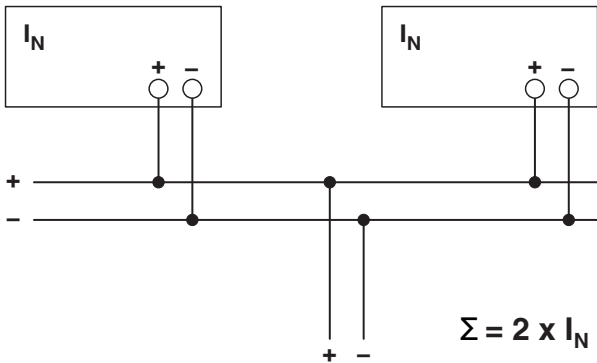
Devices of the same type can be connected in parallel to enable both redundancy and an increase in efficiency. No other alignment is necessary when in the state of delivery. If the output voltage is adjusted, a uniform distribution of power is guaranteed by setting all parallel operated power supply units to exactly the same output voltage.

To ensure symmetrical distribution of power, we recommend designing all cable connections from the power supply unit to a busbar of the same length and with the same conductor cross section. The system makes it advisable to install a protective circuit at the output of each device when more than two power supply units are connected in parallel (e.g. decoupling diode or DC fuse). This prevents high reverse feed currents in the event of a secondary device fault.



Redundant operation

Redundant circuits are suitable for the supply of systems which make especially high requirements on the operational safety. If a fault occurs in the primary circuit of the first power supply unit, the second device automatically takes over the entire power supply, without interruption, and vice versa. For this reason, the power supply units to be connected in parallel are dimensioned in such a way that the total current requirement of all consumers can be completely covered by one power supply unit. 100% redundancy makes external decoupling diodes necessary (QUINT-DIODE/40, Order No. 2938963)!



Increased performance

For n parallel connected devices, the output current can be increased to n x I_N. Parallel connection to increase efficiency is used for the expansion of existing systems. It is advisable to use parallel connection if the power supply unit does not cover the current requirement of the most powerful consumer. Otherwise the consumers should be spread among individual devices independent of one another. A maximum of five devices can be connected in parallel!



Компания «ЭлектроПласт» предлагает заключение долгосрочных отношений при поставках импортных электронных компонентов на взаимовыгодных условиях!

Наши преимущества:

- Оперативные поставки широкого спектра электронных компонентов отечественного и импортного производства напрямую от производителей и с крупнейших мировых складов;
- Поставка более 17-ти миллионов наименований электронных компонентов;
- Поставка сложных, дефицитных, либо снятых с производства позиций;
- Оперативные сроки поставки под заказ (от 5 рабочих дней);
- Экспресс доставка в любую точку России;
- Техническая поддержка проекта, помощь в подборе аналогов, поставка прототипов;
- Система менеджмента качества сертифицирована по Международному стандарту ISO 9001;
- Лицензия ФСБ на осуществление работ с использованием сведений, составляющих государственную тайну;
- Поставка специализированных компонентов (Xilinx, Altera, Analog Devices, Intersil, Interpoint, Microsemi, Aeroflex, Peregrine, Syfer, Eurofarad, Texas Instrument, Miteq, Cobham, E2V, MA-COM, Hittite, Mini-Circuits, General Dynamics и др.);

Помимо этого, одним из направлений компании «ЭлектроПласт» является направление «Источники питания». Мы предлагаем Вам помощь Конструкторского отдела:

- Подбор оптимального решения, техническое обоснование при выборе компонента;
- Подбор аналогов;
- Консультации по применению компонента;
- Поставка образцов и прототипов;
- Техническая поддержка проекта;
- Защита от снятия компонента с производства.



Как с нами связаться

Телефон: 8 (812) 309 58 32 (многоканальный)

Факс: 8 (812) 320-02-42

Электронная почта: org@eplast1.ru

Адрес: 198099, г. Санкт-Петербург, ул. Калинина, дом 2, корпус 4, литера А.