

# Rocker Switch **TRD Series**

*For Additional Options Refer to Page E4-E6*

### MATERIAL SPECIFICATIONS:

Contacts ..... Gold over nickel or silver plate  
 Case Material ..... Polyamide, black matte finish  
 Actuator Material ..... Polyamide  
 Terminals/Fixed Contacts ..... Copper alloy with gold or silver plate  
 Terminal Seal ..... Epoxy

### ENVIRONMENTAL SPECIFICATIONS:

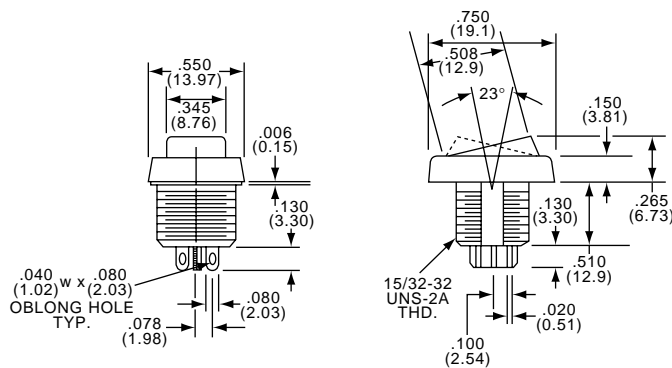
Operating Temperature ..... -4°F to +176°F (-20°C to +80°C)  
 Storage Temperature ..... -49°F to +199°F (-45°C to +93°C)

### TYPICAL PERFORMANCE CHARACTERISTICS:

Contact Rating ..... 0.4 VA Max. @ 20 VDC or peak AC  
 3 A @ 125 VAC or 28 VDC (2 pos.) 2A  
 Initial Contact Resistance ..... 20 Milliohms max.  
 Contact Timing ..... Break-before-make  
 Insulation Resistance ..... 1,000 Megohms min.  
 Dielectric Strength ..... 500 Volts RMS @ sea level  
 Actuator Travel ..... 23°  
 Life Expectancy ..... 2 Pos. - 100,000 actuations  
 3 Pos. - 50,000 actuations  
 UL recognized under the Component Program of Underwriters  
 Laboratories Inc. File #E46765

**NOTE:** Part numbering sequence page E4

**NOTE:** When hand soldering, solder with switch in closed position.  
 Solder temperature 550-600°F less than 5 seconds.



DPDT



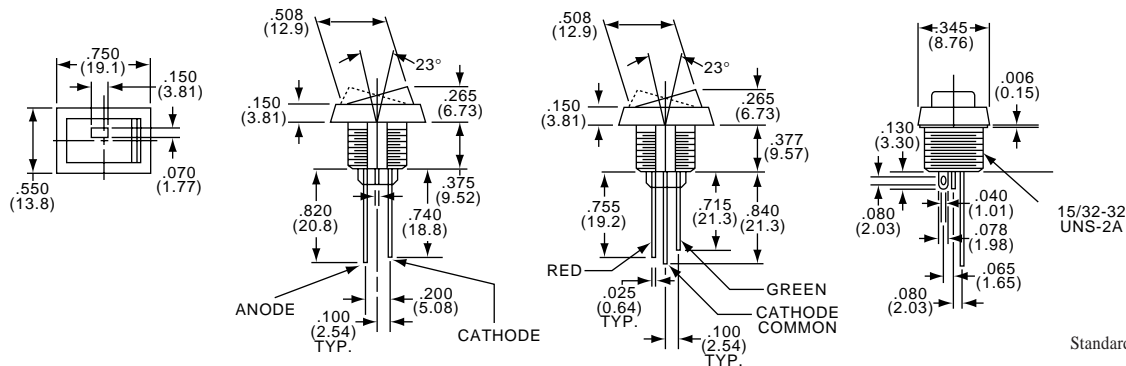
TRD21N10WL

Standard Body Color - (Black)

E

Model	Type	Function	Act. Code Pg. M8	Contact	Terminal	Model	Type	Function	Act. Code Pg. M8	Contact	Terminal
TRD11D1(*)WL	SPDT	On None On	1	Gold	Wire Lug	TRD13D1(*)WL	SPDT	On None On	1	Silver	Wire Lug
TRD11E1(*)WL	SPDT	On Off On	5	Gold	Wire Lug	TRD13E1(*)WL	SPDT	On Off On	5	Silver	Wire Lug
TRD11F1(*)WL	SPDT	On None (On)	1	Gold	Wire Lug	TRD13F1(*)WL	SPDT	On None (On)	1	Silver	Wire Lug
TRD21N1(*)WL	DPDT	On None On	2	Gold	Wire Lug	TRD23N1(*)WL	DPDT	On None On	2	Silver	Wire Lug
TRD21P1(*)WL	DP3T	On Off On	6	Gold	Wire Lug	TRD23P1(*)WL	DP3T	On Off On	6	Silver	Wire Lug
TRD21R1(*)WL	DPDT	On None (On)	2	Gold	Wire Lug	TRD23R1(*)WL	DPDT	On None (On)	2	Silver	Wire Lug

(\* Specify rocker color by adding suffix number: (0) Black (2) Red, (6) Blue (9) Yellow. (On) indicates momentary position.



SPDT



TRD11D10WLLR

Standard Body and Rocker Color - (Black)

Model	Type	Function	Act. Code Pg. M8	Contact	Terminal	Model	Type	Function	Act. Code Pg. M8	Contact	Terminal
TRD11D10WLLR(*)	SPDT	On None On	1	Gold	Wire Lug	TRD13D10WLLR(*)	SPDT	On None On	1	Gold	Wire Lug
TRD11E10WLLR(*)	SP3T	On Off On	5	Gold	Wire Lug	TRD13E10WLLR(*)	SP3T	On Off On	5	Gold	Wire Lug
TRD11F10WLLR(*)	SPDT	On None (On)	1	Gold	Wire Lug	TRD13F10WLLR(*)	SPDT	On None (On)	1	Gold	Wire Lug

(\* Specify LED color by adding suffix number: (2) Red, (4) Yellow, (5) Green, (25) Red/Green - Bi-color (On) indicates momentary position.

**Need more technical information?**

Consult your local Augat sales office listed on the back cover

AUGAT Inc.  
 452 John L. Dietsch Blvd.  
 Attleboro Falls, MA 02763 USA  
 (508) 699-9800 FAX (800) 533-2526

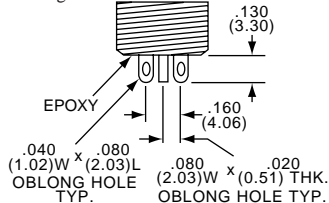


# How To Order • Rocker/Paddle **TRD Series**

## TERMINATIONS (Epoxy seal standard)

**WL**

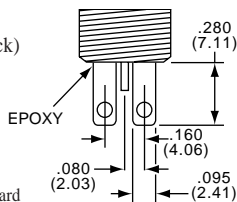
Wire Lug



**QC**

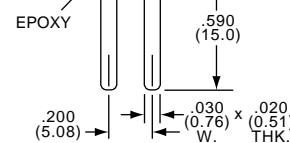
Quick Connect  
.110" (.020 thick)

Mates with standard  
.110" female connectors



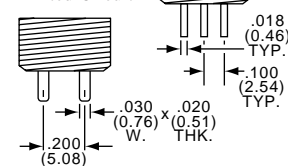
**WW**

Wire Wrap



**PC**

Printed Circuit

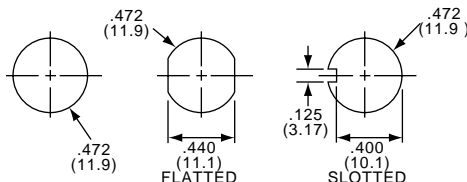


### 15/32" HOLE STANDARD

Standard TRD bushing will mount in any hole shown below.

**Recommended panel thickness:**  
.030" to .250"

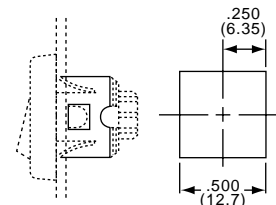
One hex nut, one internal tooth lock-washer supplied.



### 5 1/2" SQUARE CUTOUT SNAP-IN ADAPTOR

**Recommended panel thickness:**  
.030" to .125"

**Material:** bright stainless steel  
To specify adaptor separately, use P/N TRD10793



## CONTACTS/RATING/UL RECOGNITION

**1** 0.4VA Max. @ 20 VDC

Movable Contact: Copper alloy, gold plate  
Fixed Contact/Terminal: Copper alloy, gold plate

**3** 3A Max. @ 125 VAC

Movable Contact: Copper alloy, silver inlay  
Fixed Contact/Terminal: Copper alloy, silver inlay

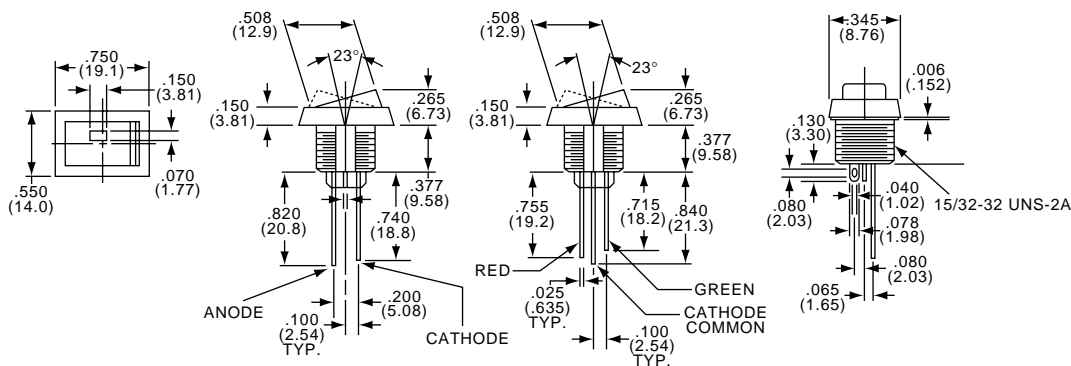
**UL**

For contact option 3  
Rating: 3A, 120 VAC(Resistive)  
File: E46765  
Underwriters Laboratories, Inc. marking stamped under beveled frame.

## L.E.D. ILLUMINATION - SINGLE AND BI-COLOR

**LR**

L.E.D. Integral  
(Rocker Actuator)  
All SPDT functions



Standard mounting dimensions apply, L.E.D. supplied in **2** red, **4** yellow, **5** green, or **25** red/green.

**L.E.D. Specifications: Max Voltage:** 2.8 VDC

**Max. Forward Current:** red-20mA, Yellow-25 mA, green-25 mA, red/green-40 mA.

**Need more technical information?**

Consult your local Augat sales office listed on the back cover

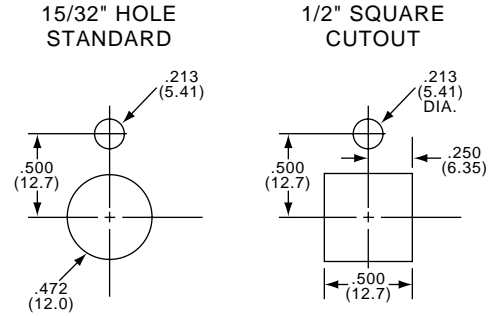
# TRD Series *Rocker/Paddle • How To Order*

## L L.E.D. BEVELE FRAME ADAPTOR (Accepts rectangular L.E.D.)



**Material:** Nylon 6/6  
**Color/Finish:** Black, matte

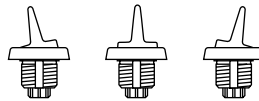
## MOUNTING



**Recommended Panel Thickness:** .030 to .220:

**Recommended Panel Thickness:** .030 to .095"

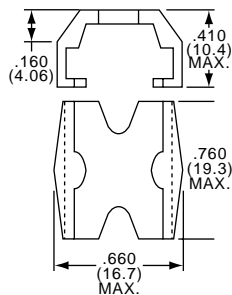
## E FUNCTIONS



Single Pole	Double Pole	123 456	123 456	123 456
D	N	On	None	On
E	P	On	Off	On
F	R	On	None	(On)
G	S	(On)	Off	(On)
H	T	On	Off	(On)
SPDT Terminals Connected		2-3	---	1-2
DPDT Terminals Connected		2-3 5-6	---	1-2 4-5

- None** No mechanical position
- Off** Mechanical position, no electrical connection
- (On)** Momentary mechanical position, electrical connection

## SWITCH GUARD



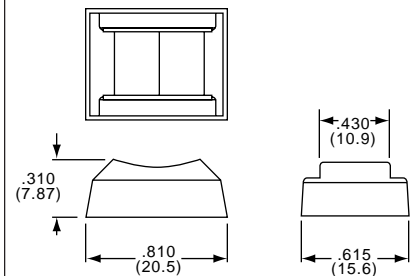
1. Insert switch in panel.
2. Attach lockwasher and hexnut.
3. Snap switch guard onto switch.
4. Tighten hex nut.



**Recommended Panel Thickness:**  
15/32" hole standard - .030 to .220  
15/32" square cutout - .030 to .095

**Material:** Nylon 6/6 **Color/Finish:** Black matte, Specify separately, P/N TRD10979

## ROCKER BOOT SEAL



To specify boot seal use P/N TRD11494



Компания «ЭлектроПласт» предлагает заключение долгосрочных отношений при поставках импортных электронных компонентов на взаимовыгодных условиях!

Наши преимущества:

- Оперативные поставки широкого спектра электронных компонентов отечественного и импортного производства напрямую от производителей и с крупнейших мировых складов;
- Поставка более 17-ти миллионов наименований электронных компонентов;
- Поставка сложных, дефицитных, либо снятых с производства позиций;
- Оперативные сроки поставки под заказ (от 5 рабочих дней);
- Экспресс доставка в любую точку России;
- Техническая поддержка проекта, помощь в подборе аналогов, поставка прототипов;
- Система менеджмента качества сертифицирована по Международному стандарту ISO 9001;
- Лицензия ФСБ на осуществление работ с использованием сведений, составляющих государственную тайну;
- Поставка специализированных компонентов (Xilinx, Altera, Analog Devices, Intersil, Interpoint, Microsemi, Aeroflex, Peregrine, Syfer, Eurofarad, Texas Instrument, Miteq, Cobham, E2V, MA-COM, Hittite, Mini-Circuits, General Dynamics и др.);

Помимо этого, одним из направлений компании «ЭлектроПласт» является направление «Источники питания». Мы предлагаем Вам помощь Конструкторского отдела:

- Подбор оптимального решения, техническое обоснование при выборе компонента;
- Подбор аналогов;
- Консультации по применению компонента;
- Поставка образцов и прототипов;
- Техническая поддержка проекта;
- Защита от снятия компонента с производства.



#### Как с нами связаться

**Телефон:** 8 (812) 309 58 32 (многоканальный)

**Факс:** 8 (812) 320-02-42

**Электронная почта:** [org@eplast1.ru](mailto:org@eplast1.ru)

**Адрес:** 198099, г. Санкт-Петербург, ул. Калинина, дом 2, корпус 4, литера А.