

DO-35



SOT-23

Pin 1 and 3 must be shorted together

## Features

- $V_{BO}$  : 32 V and 40 V
- Low breakover current
- Breakover voltage symmetry : 3V
- ECOPACK<sup>®</sup>2 compliant

## Applications

- Triggering device for Triac or SCR based motor / light dimmer
- 32 V trigger device for oscillator circuit
- Start up triggering in lighting ballast for CFL, TL or LED lamps

## Description

Functioning as a trigger diode with a fixed voltage reference, the DB3/DB4 series can be used in conjunction with triacs for simplified gate control circuits or as a starting element in fluorescent lamp ballasts.

The surface mount SOT23-3L package allows compact, SMD based designs for automated manufacturing.

### Product status link

[DB3](#)

[DB4](#)

[SMDB3](#)

### Product summary

Part number	$V_{BO}$
SMDB3	28 - 36 V
DB3	28 - 36 V
DB4	35 - 45 V

# 1 Characteristics

**Table 1. Absolute maximum ratings (limiting values),  $T_j = 25\text{ °C}$  unless otherwise specified**

Symbol	Parameter	Value	Unit	
$I_{TRM}$	Repetitive peak on-state current, $t_p = 20\ \mu\text{s}$ , $F = 120\ \text{Hz}$	SMDB3	1.00	A
		DB3 / DB4	2.00	A
$T_{stg}$	Storage junction temperature range	-40 to +125	$^{\circ}\text{C}$	
$T_j$	Operating junction temperature range	-40 to +125	$^{\circ}\text{C}$	

**Table 2. Electrical characteristics ( $T_j = 25\text{ °C}$  unless otherwise specified)**

Symbol	Parameter	Test conditions	SMDB3	DB3	DB4	Unit	
$V_{BO}$	Breakover voltage <sup>(1)</sup>	$C = 10\ \text{nF}$ <sup>(2)</sup>	Min.	28	28	35	V
			Typ.	32	32	40	
			Max.	36	36	45	
$ V_{BO1} - V_{BO2} $	Breakover voltage symmetry	$C = 10\ \text{nF}$ <sup>(2)</sup>	Max.	3	3	3	V
$\Delta V$	Dynamic breakover voltage <sup>(1)</sup>	$V_{BO}$ and $V_F$ at 10 mA	Min.	10	5	5	V
$V_O$	Output voltage <sup>(1)</sup>	See Figure 2. Test circuit, ( $R = 20\ \Omega$ )	Min.	10	5	5	V
$I_{BO}$	Breakover current <sup>(1)</sup>	$C = 10\ \text{nF}$ <sup>(2)</sup>	Max.	10	50	50	$\mu\text{A}$
$t_r$	Rise time <sup>(1)</sup>	See Figure 3. Rise time measurement	Max.	0.5	2	2	$\mu\text{s}$
$I_R$	Leakage current <sup>(1)</sup>	$V_R = 0.5 \times V_{BO\ \text{max}}$	Max.	1	10	10	$\mu\text{A}$
$I_P$	Peak current <sup>(1)</sup>	See Figure 2. Test circuit	Min.	1	0.30	0.30	A

1. Applicable to both forward and reverse directions.

2. Connected in parallel to the device

Figure 1. Voltage - current characteristic curve.



Figure 2. Test circuit

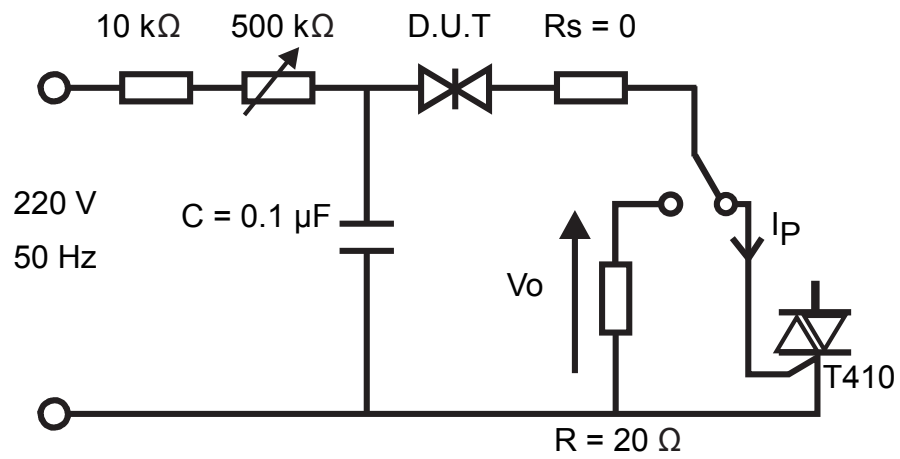
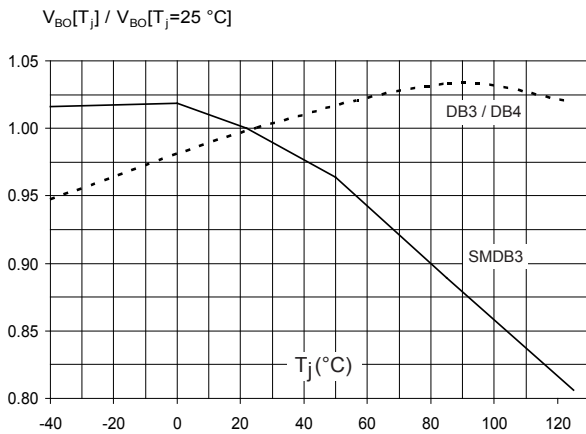


Figure 3. Rise time measurement

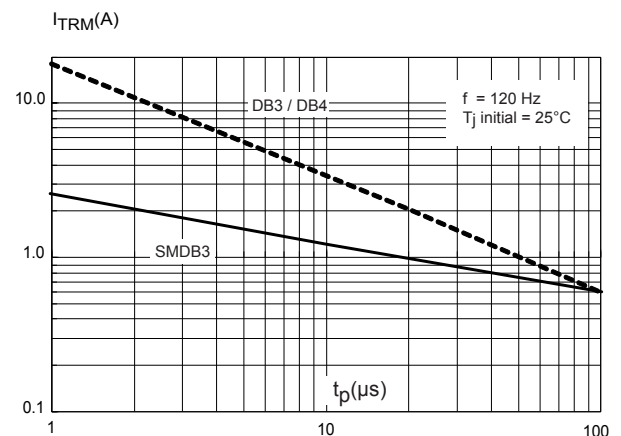


## 1.1 Characteristics curves

**Figure 4. Relative variation of VBO versus junction temperature (typical values)**



**Figure 5. On-state RMS current versus Triac gate current pulse duration  $t_p$**



**Figure 6. Triac gate current pulse duration  $t_p$  (to have  $I_p > 50\text{ mA}$ ) versus  $R_s$  and  $C$  values (typical values)**



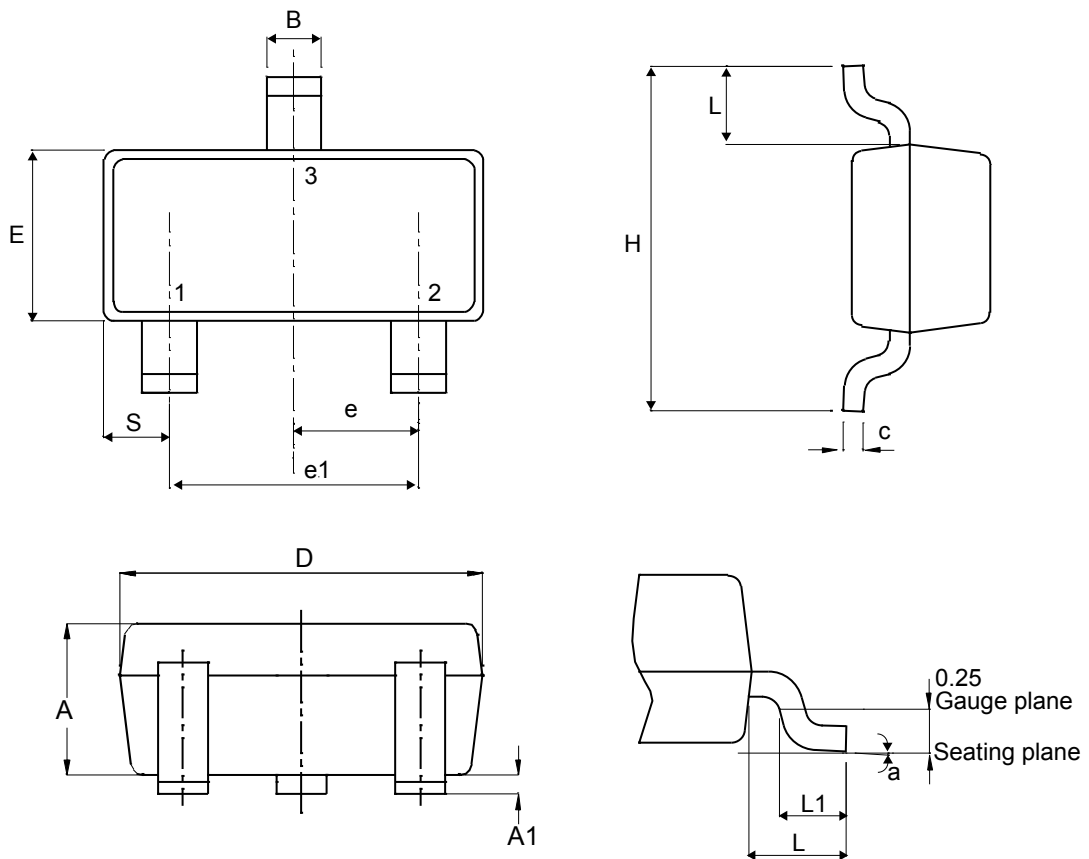
Note: according to Figure 2. Test circuit

## 2 Package information

In order to meet environmental requirements, ST offers these devices in different grades of **ECOPACK®** packages, depending on their level of environmental compliance. ECOPACK® specifications, grade definitions and product status are available at: [www.st.com](http://www.st.com). ECOPACK® is an ST trademark.

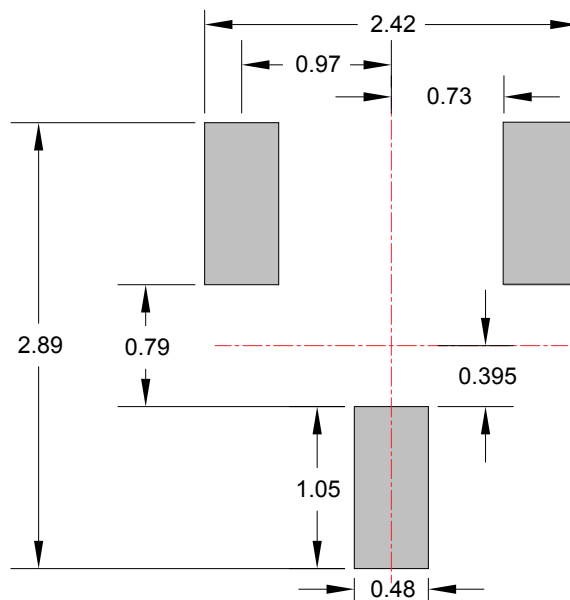
### 2.1 SOT23 package information

Figure 7. SOT23-3L package outline



**Table 3. SOT23-3L package mechanical data**

Ref.	Dimensions					
	Millimeters			Inches (for reference only)		
	Min.	Typ.	Max.	Min.	Typ.	Max.
A	0.89		1.40	0.0350		0.0551
A1	0.00		0.10	0.0000		0.0039
B	0.30		0.51	0.0118		0.0201
C	0.085		0.18	0.0033		0.0071
D	2.75		3.04	0.1083		0.1197
e	0.85		1.05	0.0335		0.0413
e1	1.70		2.10	0.0669		0.0827
E	1.20		1.75	0.0472		0.0689
H	2.10		3.00	0.0827		0.1181
L		0.60			0.0236	
S	0.35		0.65	0.0138		0.256
L1	0.25		0.55	0.0098		0.0217
a	0°		8°	0°		8°

**Figure 8. SOT23-3L footprint in mm**


## 2.2 DO-35 package information

Figure 9. DO-35 package outline

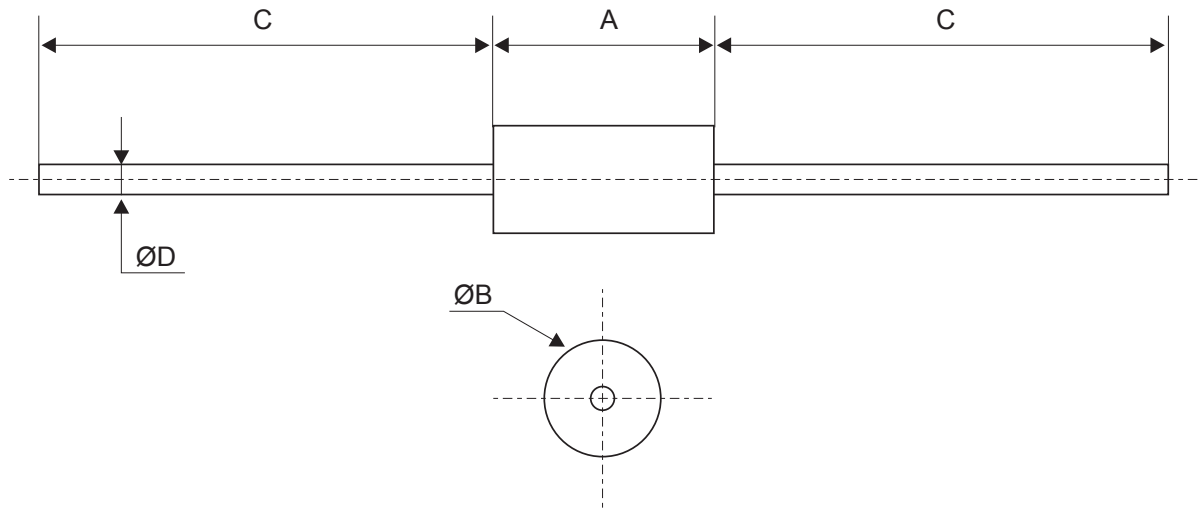
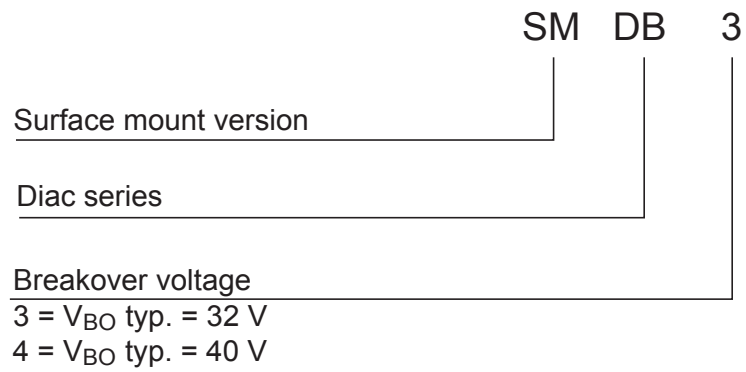


Table 4. DO-35 package mechanical data

Ref.	Dimensions			
	Millimeters		Inches (for reference only)	
	Min.	Max.	Min.	Max.
A	3.05	4.50	0.120	0.177
B	1.53	2.00	0.060	0.079
C	28.00	31.00	1.102	1.220
D	0.46	0.55	0.018	0.022



### 3 Ordering information

**Figure 10. Ordering information scheme**

**Table 5. Ordering information**

Order code	Marking	Package	Weight	Base qty.	Delivery mode
SMDB3	DB3	SOT-23	0.01 g	3000	Tape and reel
DB3	DB3 (Blue Body Coat)	DO-35	0.15 g	5000	Tape and reel
DB4	DB4 (Blue Body Coat)		0.15 g	5000	Tape and reel

## Revision history

**Table 6. Document revision history**

Date	Version	Changes
18-Jun-2018	2	First release.
14-Dec-2018	3	Minor text change to improve readability.

**IMPORTANT NOTICE – PLEASE READ CAREFULLY**

STMicroelectronics NV and its subsidiaries (“ST”) reserve the right to make changes, corrections, enhancements, modifications, and improvements to ST products and/or to this document at any time without notice. Purchasers should obtain the latest relevant information on ST products before placing orders. ST products are sold pursuant to ST’s terms and conditions of sale in place at the time of order acknowledgement.

Purchasers are solely responsible for the choice, selection, and use of ST products and ST assumes no liability for application assistance or the design of Purchasers’ products.

No license, express or implied, to any intellectual property right is granted by ST herein.

Resale of ST products with provisions different from the information set forth herein shall void any warranty granted by ST for such product.

ST and the ST logo are trademarks of ST. All other product or service names are the property of their respective owners.

Information in this document supersedes and replaces information previously supplied in any prior versions of this document.

© 2018 STMicroelectronics – All rights reserved



Компания «ЭлектроПласт» предлагает заключение долгосрочных отношений при поставках импортных электронных компонентов на взаимовыгодных условиях!

Наши преимущества:

- Оперативные поставки широкого спектра электронных компонентов отечественного и импортного производства напрямую от производителей и с крупнейших мировых складов;
- Поставка более 17-ти миллионов наименований электронных компонентов;
- Поставка сложных, дефицитных, либо снятых с производства позиций;
- Оперативные сроки поставки под заказ (от 5 рабочих дней);
- Экспресс доставка в любую точку России;
- Техническая поддержка проекта, помощь в подборе аналогов, поставка прототипов;
- Система менеджмента качества сертифицирована по Международному стандарту ISO 9001;
- Лицензия ФСБ на осуществление работ с использованием сведений, составляющих государственную тайну;
- Поставка специализированных компонентов (Xilinx, Altera, Analog Devices, Intersil, Interpoint, Microsemi, Aeroflex, Peregrine, Syfer, Eurofarad, Texas Instrument, Miteq, Cobham, E2V, MA-COM, Hittite, Mini-Circuits, General Dynamics и др.);

Помимо этого, одним из направлений компании «ЭлектроПласт» является направление «Источники питания». Мы предлагаем Вам помощь Конструкторского отдела:

- Подбор оптимального решения, техническое обоснование при выборе компонента;
- Подбор аналогов;
- Консультации по применению компонента;
- Поставка образцов и прототипов;
- Техническая поддержка проекта;
- Защита от снятия компонента с производства.



#### Как с нами связаться

**Телефон:** 8 (812) 309 58 32 (многоканальный)

**Факс:** 8 (812) 320-02-42

**Электронная почта:** [org@eplast1.ru](mailto:org@eplast1.ru)

**Адрес:** 198099, г. Санкт-Петербург, ул. Калинина, дом 2, корпус 4, литера А.