

The S-1313 Series, developed by using the CMOS technology, is a positive voltage regulator IC which has the super low current consumption and the low dropout voltage.

Current consumption is as low as 0.9  $\mu\text{A}$  typ., and a ceramic capacitor of 0.1  $\mu\text{F}$  or more can be used as the input and output capacitors.

It also has high-accuracy output voltage of  $\pm 1.0\%$ .

## ■ Features

- Output voltage: 1.0 V to 3.5 V, selectable in 0.05 V step.
- Input voltage: 1.5 V to 5.5 V
- Output voltage accuracy:  $\pm 1.0\%$  (1.0 V to 1.45 V output product:  $\pm 15$  mV)
- Dropout voltage: 170 mV typ. (2.8 V output product,  $I_{\text{OUT}} = 100$  mA)
- Current consumption:
  - During operation: 0.9  $\mu\text{A}$  typ., 1.35  $\mu\text{A}$  max.
  - During power-off: 0.01  $\mu\text{A}$  typ., 0.1  $\mu\text{A}$  max.
- Output current: Possible to output 200 mA ( $V_{\text{OUT(S)}} \geq 1.4$  V,  $V_{\text{IN}} \geq V_{\text{OUT(S)}} + 1.0$  V)<sup>\*1</sup>
- Input and output capacitors: A ceramic capacitor of 0.1  $\mu\text{F}$  or more can be used.
- Built-in overcurrent protection circuit: Limits overcurrent of output transistor.
- Built-in thermal shutdown circuit: Prevents damage caused by heat.
- Built-in ON / OFF circuit: Ensures long battery life.
  - Discharge shunt function "available" / "unavailable" is selectable.
  - Pull-down function "available" / "unavailable" is selectable.
- Operation temperature range:  $T_a = -40^\circ\text{C}$  to  $+85^\circ\text{C}$
- Lead-free (Sn 100%), halogen-free

\*1. Attention should be paid to the power dissipation of the package when the output current is large.

## ■ Applications

- Constant-voltage power supply for portable communication device, digital camera, and digital audio player
- Constant-voltage power supply for battery-powered device
- Constant-voltage power supply for home electric appliance

## ■ Packages

- SOT-23-5
- SC-82AB
- HSNT-4 (1010)
- HSNT-4 (0808)

■ Block Diagrams

1. S-1313 Series A type



| Function                          | Status     |
|-----------------------------------|------------|
| ON / OFF logic                    | Active "H" |
| Discharge shunt function          | Available  |
| Constant current source pull-down | Available  |

\*1. Parasitic diode

Figure 1

2. S-1313 Series B type



| Function                          | Status      |
|-----------------------------------|-------------|
| ON / OFF logic                    | Active "H"  |
| Discharge shunt function          | Available   |
| Constant current source pull-down | Unavailable |

\*1. Parasitic diode

Figure 2

3. S-1313 Series C type

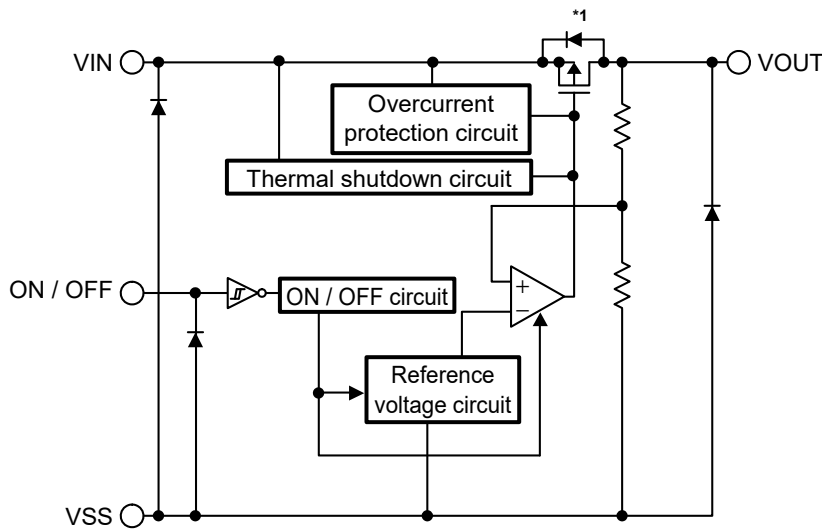


| Function                          | Status      |
|-----------------------------------|-------------|
| ON / OFF logic                    | Active "H"  |
| Discharge shunt function          | Unavailable |
| Constant current source pull-down | Available   |

\*1. Parasitic diode

Figure 3

4. S-1313 Series D type



| Function                          | Status      |
|-----------------------------------|-------------|
| ON / OFF logic                    | Active "H"  |
| Discharge shunt function          | Unavailable |
| Constant current source pull-down | Unavailable |

\*1. Parasitic diode

Figure 4

## ■ Product Name Structure

Users can select the product type, output voltage, and package type for the S-1313 Series. Refer to "1. **Product name**" regarding the contents of product name, "2. **Function list of product type**" regarding the product type, "3. **Packages**" regarding the package drawings, "4. **Product name list**" regarding details of the product name.

### 1. Product name



\*1. Refer to the tape drawing.

\*2. If you request the product which has 0.05 V step, contact our sales office.

\*3. Refer to "2. **Function list of product type**".

### 2. Function list of product type

Table 1

| Product Type | ON / OFF Logic | Discharge Shunt Function | Constant Current Source Pull-down |
|--------------|----------------|--------------------------|-----------------------------------|
| A            | Active "H"     | Available                | Available                         |
| B            | Active "H"     | Available                | Unavailable                       |
| C            | Active "H"     | Unavailable              | Available                         |
| D            | Active "H"     | Unavailable              | Unavailable                       |

### 3. Packages

Table 2 Package Drawing Codes

| Package Name  | Dimension    | Tape                         | Reel         | Land         |
|---------------|--------------|------------------------------|--------------|--------------|
| SOT-23-5      | MP005-A-P-SD | MP005-A-C-SD                 | MP005-A-R-SD | -            |
| SC-82AB       | NP004-A-P-SD | NP004-A-C-SD<br>NP004-A-C-S1 | NP004-A-R-SD | -            |
| HSNT-4 (1010) | PL004-A-P-SD | PL004-A-C-SD                 | PL004-A-R-SD | PL004-A-L-SD |
| HSNT-4 (0808) | PK004-A-P-SD | PK004-A-C-SD                 | PK004-A-R-SD | PK004-A-L-SD |

#### 4. Product name list

##### 4.1 S-1313 Series A type

ON / OFF logic: Active "H"

Discharge shunt function: Available

Constant current source pull-down: Available

Table 3

| Output Voltage | SOT-23-5         | SC-82AB          | HSNT-4 (1010)    | HSNT-4 (0808)    |
|----------------|------------------|------------------|------------------|------------------|
| 1.0 V ± 15 mV  | S-1313A10-M5T1U3 | S-1313A10-N4T1U3 | S-1313A10-A4T2U3 | S-1313A10-A4T1U3 |
| 1.1 V ± 15 mV  | S-1313A11-M5T1U3 | S-1313A11-N4T1U3 | S-1313A11-A4T2U3 | S-1313A11-A4T1U3 |
| 1.2 V ± 15 mV  | S-1313A12-M5T1U3 | S-1313A12-N4T1U3 | S-1313A12-A4T2U3 | S-1313A12-A4T1U3 |
| 1.3 V ± 15 mV  | S-1313A13-M5T1U3 | S-1313A13-N4T1U3 | S-1313A13-A4T2U3 | S-1313A13-A4T1U3 |
| 1.4 V ± 15 mV  | S-1313A14-M5T1U3 | S-1313A14-N4T1U3 | S-1313A14-A4T2U3 | S-1313A14-A4T1U3 |
| 1.5 V ± 1.0%   | S-1313A15-M5T1U3 | S-1313A15-N4T1U3 | S-1313A15-A4T2U3 | S-1313A15-A4T1U3 |
| 1.6 V ± 1.0%   | S-1313A16-M5T1U3 | S-1313A16-N4T1U3 | S-1313A16-A4T2U3 | S-1313A16-A4T1U3 |
| 1.7 V ± 1.0%   | S-1313A17-M5T1U3 | S-1313A17-N4T1U3 | S-1313A17-A4T2U3 | S-1313A17-A4T1U3 |
| 1.8 V ± 1.0%   | S-1313A18-M5T1U3 | S-1313A18-N4T1U3 | S-1313A18-A4T2U3 | S-1313A18-A4T1U3 |
| 1.85 V ± 1.0%  | S-1313A1J-M5T1U3 | S-1313A1J-N4T1U3 | S-1313A1J-A4T2U3 | S-1313A1J-A4T1U3 |
| 1.9 V ± 1.0%   | S-1313A19-M5T1U3 | S-1313A19-N4T1U3 | S-1313A19-A4T2U3 | S-1313A19-A4T1U3 |
| 2.0 V ± 1.0%   | S-1313A20-M5T1U3 | S-1313A20-N4T1U3 | S-1313A20-A4T2U3 | S-1313A20-A4T1U3 |
| 2.1 V ± 1.0%   | S-1313A21-M5T1U3 | S-1313A21-N4T1U3 | S-1313A21-A4T2U3 | S-1313A21-A4T1U3 |
| 2.2 V ± 1.0%   | S-1313A22-M5T1U3 | S-1313A22-N4T1U3 | S-1313A22-A4T2U3 | S-1313A22-A4T1U3 |
| 2.3 V ± 1.0%   | S-1313A23-M5T1U3 | S-1313A23-N4T1U3 | S-1313A23-A4T2U3 | S-1313A23-A4T1U3 |
| 2.4 V ± 1.0%   | S-1313A24-M5T1U3 | S-1313A24-N4T1U3 | S-1313A24-A4T2U3 | S-1313A24-A4T1U3 |
| 2.5 V ± 1.0%   | S-1313A25-M5T1U3 | S-1313A25-N4T1U3 | S-1313A25-A4T2U3 | S-1313A25-A4T1U3 |
| 2.6 V ± 1.0%   | S-1313A26-M5T1U3 | S-1313A26-N4T1U3 | S-1313A26-A4T2U3 | S-1313A26-A4T1U3 |
| 2.7 V ± 1.0%   | S-1313A27-M5T1U3 | S-1313A27-N4T1U3 | S-1313A27-A4T2U3 | S-1313A27-A4T1U3 |
| 2.8 V ± 1.0%   | S-1313A28-M5T1U3 | S-1313A28-N4T1U3 | S-1313A28-A4T2U3 | S-1313A28-A4T1U3 |
| 2.85 V ± 1.0%  | S-1313A2J-M5T1U3 | S-1313A2J-N4T1U3 | S-1313A2J-A4T2U3 | S-1313A2J-A4T1U3 |
| 2.9 V ± 1.0%   | S-1313A29-M5T1U3 | S-1313A29-N4T1U3 | S-1313A29-A4T2U3 | S-1313A29-A4T1U3 |
| 3.0 V ± 1.0%   | S-1313A30-M5T1U3 | S-1313A30-N4T1U3 | S-1313A30-A4T2U3 | S-1313A30-A4T1U3 |
| 3.1 V ± 1.0%   | S-1313A31-M5T1U3 | S-1313A31-N4T1U3 | S-1313A31-A4T2U3 | S-1313A31-A4T1U3 |
| 3.2 V ± 1.0%   | S-1313A32-M5T1U3 | S-1313A32-N4T1U3 | S-1313A32-A4T2U3 | S-1313A32-A4T1U3 |
| 3.3 V ± 1.0%   | S-1313A33-M5T1U3 | S-1313A33-N4T1U3 | S-1313A33-A4T2U3 | S-1313A33-A4T1U3 |
| 3.4 V ± 1.0%   | S-1313A34-M5T1U3 | S-1313A34-N4T1U3 | S-1313A34-A4T2U3 | S-1313A34-A4T1U3 |
| 3.5 V ± 1.0%   | S-1313A35-M5T1U3 | S-1313A35-N4T1U3 | S-1313A35-A4T2U3 | S-1313A35-A4T1U3 |

**Remark** Please contact our sales office for products other than the above.

## 5.5 V INPUT, 200 mA VOLTAGE REGULATOR S-1313 Series

Rev.2.2\_00

### 4.2 S-1313 Series B type

ON / OFF logic: Active "H"

Discharge shunt function: Available

Constant current source pull-down: Unavailable

Table 4

| Output Voltage | SOT-23-5         | SC-82AB          | HSNT-4 (1010)    | HSNT-4 (0808)    |
|----------------|------------------|------------------|------------------|------------------|
| 1.0 V ± 15 mV  | S-1313B10-M5T1U3 | S-1313B10-N4T1U3 | S-1313B10-A4T2U3 | S-1313B10-A4T1U3 |
| 1.1 V ± 15 mV  | S-1313B11-M5T1U3 | S-1313B11-N4T1U3 | S-1313B11-A4T2U3 | S-1313B11-A4T1U3 |
| 1.2 V ± 15 mV  | S-1313B12-M5T1U3 | S-1313B12-N4T1U3 | S-1313B12-A4T2U3 | S-1313B12-A4T1U3 |
| 1.3 V ± 15 mV  | S-1313B13-M5T1U3 | S-1313B13-N4T1U3 | S-1313B13-A4T2U3 | S-1313B13-A4T1U3 |
| 1.4 V ± 15 mV  | S-1313B14-M5T1U3 | S-1313B14-N4T1U3 | S-1313B14-A4T2U3 | S-1313B14-A4T1U3 |
| 1.5 V ± 1.0%   | S-1313B15-M5T1U3 | S-1313B15-N4T1U3 | S-1313B15-A4T2U3 | S-1313B15-A4T1U3 |
| 1.6 V ± 1.0%   | S-1313B16-M5T1U3 | S-1313B16-N4T1U3 | S-1313B16-A4T2U3 | S-1313B16-A4T1U3 |
| 1.7 V ± 1.0%   | S-1313B17-M5T1U3 | S-1313B17-N4T1U3 | S-1313B17-A4T2U3 | S-1313B17-A4T1U3 |
| 1.8 V ± 1.0%   | S-1313B18-M5T1U3 | S-1313B18-N4T1U3 | S-1313B18-A4T2U3 | S-1313B18-A4T1U3 |
| 1.85 V ± 1.0%  | S-1313B1J-M5T1U3 | S-1313B1J-N4T1U3 | S-1313B1J-A4T2U3 | S-1313B1J-A4T1U3 |
| 1.9 V ± 1.0%   | S-1313B19-M5T1U3 | S-1313B19-N4T1U3 | S-1313B19-A4T2U3 | S-1313B19-A4T1U3 |
| 2.0 V ± 1.0%   | S-1313B20-M5T1U3 | S-1313B20-N4T1U3 | S-1313B20-A4T2U3 | S-1313B20-A4T1U3 |
| 2.1 V ± 1.0%   | S-1313B21-M5T1U3 | S-1313B21-N4T1U3 | S-1313B21-A4T2U3 | S-1313B21-A4T1U3 |
| 2.2 V ± 1.0%   | S-1313B22-M5T1U3 | S-1313B22-N4T1U3 | S-1313B22-A4T2U3 | S-1313B22-A4T1U3 |
| 2.3 V ± 1.0%   | S-1313B23-M5T1U3 | S-1313B23-N4T1U3 | S-1313B23-A4T2U3 | S-1313B23-A4T1U3 |
| 2.4 V ± 1.0%   | S-1313B24-M5T1U3 | S-1313B24-N4T1U3 | S-1313B24-A4T2U3 | S-1313B24-A4T1U3 |
| 2.5 V ± 1.0%   | S-1313B25-M5T1U3 | S-1313B25-N4T1U3 | S-1313B25-A4T2U3 | S-1313B25-A4T1U3 |
| 2.6 V ± 1.0%   | S-1313B26-M5T1U3 | S-1313B26-N4T1U3 | S-1313B26-A4T2U3 | S-1313B26-A4T1U3 |
| 2.7 V ± 1.0%   | S-1313B27-M5T1U3 | S-1313B27-N4T1U3 | S-1313B27-A4T2U3 | S-1313B27-A4T1U3 |
| 2.8 V ± 1.0%   | S-1313B28-M5T1U3 | S-1313B28-N4T1U3 | S-1313B28-A4T2U3 | S-1313B28-A4T1U3 |
| 2.85 V ± 1.0%  | S-1313B2J-M5T1U3 | S-1313B2J-N4T1U3 | S-1313B2J-A4T2U3 | S-1313B2J-A4T1U3 |
| 2.9 V ± 1.0%   | S-1313B29-M5T1U3 | S-1313B29-N4T1U3 | S-1313B29-A4T2U3 | S-1313B29-A4T1U3 |
| 3.0 V ± 1.0%   | S-1313B30-M5T1U3 | S-1313B30-N4T1U3 | S-1313B30-A4T2U3 | S-1313B30-A4T1U3 |
| 3.1 V ± 1.0%   | S-1313B31-M5T1U3 | S-1313B31-N4T1U3 | S-1313B31-A4T2U3 | S-1313B31-A4T1U3 |
| 3.2 V ± 1.0%   | S-1313B32-M5T1U3 | S-1313B32-N4T1U3 | S-1313B32-A4T2U3 | S-1313B32-A4T1U3 |
| 3.3 V ± 1.0%   | S-1313B33-M5T1U3 | S-1313B33-N4T1U3 | S-1313B33-A4T2U3 | S-1313B33-A4T1U3 |
| 3.4 V ± 1.0%   | S-1313B34-M5T1U3 | S-1313B34-N4T1U3 | S-1313B34-A4T2U3 | S-1313B34-A4T1U3 |
| 3.5 V ± 1.0%   | S-1313B35-M5T1U3 | S-1313B35-N4T1U3 | S-1313B35-A4T2U3 | S-1313B35-A4T1U3 |

**Remark** Please contact our sales office for products other than the above.

## 4.3 S-1313 Series C type

ON / OFF logic: Active "H"  
 Discharge shunt function: Unavailable      Constant current source pull-down: Available

Table 5

| Output Voltage | SOT-23-5         | SC-82AB          | HSNT-4 (1010)    | HSNT-4 (0808)    |
|----------------|------------------|------------------|------------------|------------------|
| 1.0 V ± 15 mV  | S-1313C10-M5T1U3 | S-1313C10-N4T1U3 | S-1313C10-A4T2U3 | S-1313C10-A4T1U3 |
| 1.1 V ± 15 mV  | S-1313C11-M5T1U3 | S-1313C11-N4T1U3 | S-1313C11-A4T2U3 | S-1313C11-A4T1U3 |
| 1.2 V ± 15 mV  | S-1313C12-M5T1U3 | S-1313C12-N4T1U3 | S-1313C12-A4T2U3 | S-1313C12-A4T1U3 |
| 1.3 V ± 15 mV  | S-1313C13-M5T1U3 | S-1313C13-N4T1U3 | S-1313C13-A4T2U3 | S-1313C13-A4T1U3 |
| 1.4 V ± 15 mV  | S-1313C14-M5T1U3 | S-1313C14-N4T1U3 | S-1313C14-A4T2U3 | S-1313C14-A4T1U3 |
| 1.5 V ± 1.0%   | S-1313C15-M5T1U3 | S-1313C15-N4T1U3 | S-1313C15-A4T2U3 | S-1313C15-A4T1U3 |
| 1.6 V ± 1.0%   | S-1313C16-M5T1U3 | S-1313C16-N4T1U3 | S-1313C16-A4T2U3 | S-1313C16-A4T1U3 |
| 1.7 V ± 1.0%   | S-1313C17-M5T1U3 | S-1313C17-N4T1U3 | S-1313C17-A4T2U3 | S-1313C17-A4T1U3 |
| 1.8 V ± 1.0%   | S-1313C18-M5T1U3 | S-1313C18-N4T1U3 | S-1313C18-A4T2U3 | S-1313C18-A4T1U3 |
| 1.85 V ± 1.0%  | S-1313C1J-M5T1U3 | S-1313C1J-N4T1U3 | S-1313C1J-A4T2U3 | S-1313C1J-A4T1U3 |
| 1.9 V ± 1.0%   | S-1313C19-M5T1U3 | S-1313C19-N4T1U3 | S-1313C19-A4T2U3 | S-1313C19-A4T1U3 |
| 2.0 V ± 1.0%   | S-1313C20-M5T1U3 | S-1313C20-N4T1U3 | S-1313C20-A4T2U3 | S-1313C20-A4T1U3 |
| 2.1 V ± 1.0%   | S-1313C21-M5T1U3 | S-1313C21-N4T1U3 | S-1313C21-A4T2U3 | S-1313C21-A4T1U3 |
| 2.2 V ± 1.0%   | S-1313C22-M5T1U3 | S-1313C22-N4T1U3 | S-1313C22-A4T2U3 | S-1313C22-A4T1U3 |
| 2.3 V ± 1.0%   | S-1313C23-M5T1U3 | S-1313C23-N4T1U3 | S-1313C23-A4T2U3 | S-1313C23-A4T1U3 |
| 2.4 V ± 1.0%   | S-1313C24-M5T1U3 | S-1313C24-N4T1U3 | S-1313C24-A4T2U3 | S-1313C24-A4T1U3 |
| 2.5 V ± 1.0%   | S-1313C25-M5T1U3 | S-1313C25-N4T1U3 | S-1313C25-A4T2U3 | S-1313C25-A4T1U3 |
| 2.6 V ± 1.0%   | S-1313C26-M5T1U3 | S-1313C26-N4T1U3 | S-1313C26-A4T2U3 | S-1313C26-A4T1U3 |
| 2.7 V ± 1.0%   | S-1313C27-M5T1U3 | S-1313C27-N4T1U3 | S-1313C27-A4T2U3 | S-1313C27-A4T1U3 |
| 2.8 V ± 1.0%   | S-1313C28-M5T1U3 | S-1313C28-N4T1U3 | S-1313C28-A4T2U3 | S-1313C28-A4T1U3 |
| 2.85 V ± 1.0%  | S-1313C2J-M5T1U3 | S-1313C2J-N4T1U3 | S-1313C2J-A4T2U3 | S-1313C2J-A4T1U3 |
| 2.9 V ± 1.0%   | S-1313C29-M5T1U3 | S-1313C29-N4T1U3 | S-1313C29-A4T2U3 | S-1313C29-A4T1U3 |
| 3.0 V ± 1.0%   | S-1313C30-M5T1U3 | S-1313C30-N4T1U3 | S-1313C30-A4T2U3 | S-1313C30-A4T1U3 |
| 3.1 V ± 1.0%   | S-1313C31-M5T1U3 | S-1313C31-N4T1U3 | S-1313C31-A4T2U3 | S-1313C31-A4T1U3 |
| 3.2 V ± 1.0%   | S-1313C32-M5T1U3 | S-1313C32-N4T1U3 | S-1313C32-A4T2U3 | S-1313C32-A4T1U3 |
| 3.3 V ± 1.0%   | S-1313C33-M5T1U3 | S-1313C33-N4T1U3 | S-1313C33-A4T2U3 | S-1313C33-A4T1U3 |
| 3.4 V ± 1.0%   | S-1313C34-M5T1U3 | S-1313C34-N4T1U3 | S-1313C34-A4T2U3 | S-1313C34-A4T1U3 |
| 3.5 V ± 1.0%   | S-1313C35-M5T1U3 | S-1313C35-N4T1U3 | S-1313C35-A4T2U3 | S-1313C35-A4T1U3 |

**Remark** Please contact our sales office for products other than the above.

## 5.5 V INPUT, 200 mA VOLTAGE REGULATOR S-1313 Series

Rev.2.2\_00

### 4.4 S-1313 Series D type

ON / OFF logic: Active "H"  
 Discharge shunt function: Unavailable      Constant current source pull-down: Unavailable

Table 6

| Output Voltage | SOT-23-5         | SC-82AB          | HSNT-4 (1010)    | HSNT-4 (0808)    |
|----------------|------------------|------------------|------------------|------------------|
| 1.0 V ± 15 mV  | S-1313D10-M5T1U3 | S-1313D10-N4T1U3 | S-1313D10-A4T2U3 | S-1313D10-A4T1U3 |
| 1.1 V ± 15 mV  | S-1313D11-M5T1U3 | S-1313D11-N4T1U3 | S-1313D11-A4T2U3 | S-1313D11-A4T1U3 |
| 1.2 V ± 15 mV  | S-1313D12-M5T1U3 | S-1313D12-N4T1U3 | S-1313D12-A4T2U3 | S-1313D12-A4T1U3 |
| 1.3 V ± 15 mV  | S-1313D13-M5T1U3 | S-1313D13-N4T1U3 | S-1313D13-A4T2U3 | S-1313D13-A4T1U3 |
| 1.4 V ± 15 mV  | S-1313D14-M5T1U3 | S-1313D14-N4T1U3 | S-1313D14-A4T2U3 | S-1313D14-A4T1U3 |
| 1.5 V ± 1.0%   | S-1313D15-M5T1U3 | S-1313D15-N4T1U3 | S-1313D15-A4T2U3 | S-1313D15-A4T1U3 |
| 1.6 V ± 1.0%   | S-1313D16-M5T1U3 | S-1313D16-N4T1U3 | S-1313D16-A4T2U3 | S-1313D16-A4T1U3 |
| 1.7 V ± 1.0%   | S-1313D17-M5T1U3 | S-1313D17-N4T1U3 | S-1313D17-A4T2U3 | S-1313D17-A4T1U3 |
| 1.8 V ± 1.0%   | S-1313D18-M5T1U3 | S-1313D18-N4T1U3 | S-1313D18-A4T2U3 | S-1313D18-A4T1U3 |
| 1.85 V ± 1.0%  | S-1313D1J-M5T1U3 | S-1313D1J-N4T1U3 | S-1313D1J-A4T2U3 | S-1313D1J-A4T1U3 |
| 1.9 V ± 1.0%   | S-1313D19-M5T1U3 | S-1313D19-N4T1U3 | S-1313D19-A4T2U3 | S-1313D19-A4T1U3 |
| 2.0 V ± 1.0%   | S-1313D20-M5T1U3 | S-1313D20-N4T1U3 | S-1313D20-A4T2U3 | S-1313D20-A4T1U3 |
| 2.1 V ± 1.0%   | S-1313D21-M5T1U3 | S-1313D21-N4T1U3 | S-1313D21-A4T2U3 | S-1313D21-A4T1U3 |
| 2.2 V ± 1.0%   | S-1313D22-M5T1U3 | S-1313D22-N4T1U3 | S-1313D22-A4T2U3 | S-1313D22-A4T1U3 |
| 2.3 V ± 1.0%   | S-1313D23-M5T1U3 | S-1313D23-N4T1U3 | S-1313D23-A4T2U3 | S-1313D23-A4T1U3 |
| 2.4 V ± 1.0%   | S-1313D24-M5T1U3 | S-1313D24-N4T1U3 | S-1313D24-A4T2U3 | S-1313D24-A4T1U3 |
| 2.5 V ± 1.0%   | S-1313D25-M5T1U3 | S-1313D25-N4T1U3 | S-1313D25-A4T2U3 | S-1313D25-A4T1U3 |
| 2.6 V ± 1.0%   | S-1313D26-M5T1U3 | S-1313D26-N4T1U3 | S-1313D26-A4T2U3 | S-1313D26-A4T1U3 |
| 2.7 V ± 1.0%   | S-1313D27-M5T1U3 | S-1313D27-N4T1U3 | S-1313D27-A4T2U3 | S-1313D27-A4T1U3 |
| 2.8 V ± 1.0%   | S-1313D28-M5T1U3 | S-1313D28-N4T1U3 | S-1313D28-A4T2U3 | S-1313D28-A4T1U3 |
| 2.85 V ± 1.0%  | S-1313D2J-M5T1U3 | S-1313D2J-N4T1U3 | S-1313D2J-A4T2U3 | S-1313D2J-A4T1U3 |
| 2.9 V ± 1.0%   | S-1313D29-M5T1U3 | S-1313D29-N4T1U3 | S-1313D29-A4T2U3 | S-1313D29-A4T1U3 |
| 3.0 V ± 1.0%   | S-1313D30-M5T1U3 | S-1313D30-N4T1U3 | S-1313D30-A4T2U3 | S-1313D30-A4T1U3 |
| 3.1 V ± 1.0%   | S-1313D31-M5T1U3 | S-1313D31-N4T1U3 | S-1313D31-A4T2U3 | S-1313D31-A4T1U3 |
| 3.2 V ± 1.0%   | S-1313D32-M5T1U3 | S-1313D32-N4T1U3 | S-1313D32-A4T2U3 | S-1313D32-A4T1U3 |
| 3.3 V ± 1.0%   | S-1313D33-M5T1U3 | S-1313D33-N4T1U3 | S-1313D33-A4T2U3 | S-1313D33-A4T1U3 |
| 3.4 V ± 1.0%   | S-1313D34-M5T1U3 | S-1313D34-N4T1U3 | S-1313D34-A4T2U3 | S-1313D34-A4T1U3 |
| 3.5 V ± 1.0%   | S-1313D35-M5T1U3 | S-1313D35-N4T1U3 | S-1313D35-A4T2U3 | S-1313D35-A4T1U3 |

**Remark** Please contact our sales office for products other than the above.



## ■ Pin Configurations

### 1. SOT-23-5



Figure 5

Table 7

| Pin No. | Symbol   | Description        |
|---------|----------|--------------------|
| 1       | VIN      | Input voltage pin  |
| 2       | VSS      | GND pin            |
| 3       | ON / OFF | ON / OFF pin       |
| 4       | NC*1     | No connection      |
| 5       | VOUT     | Output voltage pin |

- \*1. The NC pin is electrically open.  
The NC pin can be connected to the VIN pin or the VSS pin.

### 2. SC-82AB



Figure 6

Table 8

| Pin No. | Symbol   | Description        |
|---------|----------|--------------------|
| 1       | ON / OFF | ON / OFF pin       |
| 2       | VSS      | GND pin            |
| 3       | VOUT     | Output voltage pin |
| 4       | VIN      | Input voltage pin  |

3. HSNT-4 (1010)

Top view



Bottom view

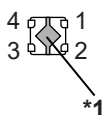


Figure 7

\*1. Connect the heatsink of backside at shadowed area to the board, and set electric potential GND. However, do not use it as the function of electrode.

Table 9

| Pin No. | Symbol   | Description        |
|---------|----------|--------------------|
| 1       | VOUT     | Output voltage pin |
| 2       | VSS      | GND pin            |
| 3       | ON / OFF | ON / OFF pin       |
| 4       | VIN      | Input voltage pin  |

4. HSNT-4 (0808)

Top view



Bottom view

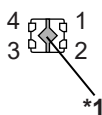


Figure 8

\*1. Connect the heat sink of backside at shadowed area to the board, and set electric potential GND. However, do not use it as the function of electrode.

Table 10

| Pin No. | Symbol   | Description        |
|---------|----------|--------------------|
| 1       | VOUT     | Output voltage pin |
| 2       | VSS      | GND pin            |
| 3       | ON / OFF | ON / OFF pin       |
| 4       | VIN      | Input voltage pin  |

■ Absolute Maximum Ratings

Table 11

(Ta = +25°C unless otherwise specified)

| Item                          |               | Symbol                | Absolute Maximum Rating                        | Unit |
|-------------------------------|---------------|-----------------------|--|------|
| Input voltage                 |               | V <sub>IN</sub>       | V <sub>SS</sub> - 0.3 to V <sub>SS</sub> + 6.0 | V    |
|                               |               | V <sub>ON / OFF</sub> | V <sub>SS</sub> - 0.3 to V <sub>SS</sub> + 6.0 | V    |
| Output voltage                |               | V <sub>OUT</sub>      | V <sub>SS</sub> - 0.3 to V <sub>IN</sub> + 0.3 | V    |
| Output current                |               | I <sub>OUT</sub>      | 240  | mA   |
| Power dissipation             | SOT-23-5      | P <sub>D</sub>        | 600*1  | mW   |
|                               | SC-82AB       |                       | 400*1  | mW   |
|                               | HSNT-4 (1010) |                       | 340*1  | mW   |
|                               | HSNT-4 (0808) |                       | 335*1  | mW   |
| Operation ambient temperature |               | T <sub>opr</sub>      | -40 to +85                                     | °C   |
| Storage temperature           |               | T <sub>stg</sub>      | -40 to +125                                    | °C   |

\*1. When mounted on board  
[Mounted board]

- (1) Board size: 114.3 mm × 76.2 mm × t1.6 mm
- (2) Name: JEDEC STANDARD51-7

**Caution** The absolute maximum ratings are rated values exceeding which the product could suffer physical damage. These values must therefore not be exceeded under any conditions.



Figure 9 Power Dissipation of Package (When Mounted on Board)

**Power Dissipation of HSNT-4 (1010) and HSNT-4 (0808) (Reference)**

Power dissipation of package differs depending on the mounting conditions.  
 Consider the power dissipation characteristics under the following conditions as reference.

[Mounted board]

- (1) Board size: 40 mm × 40 mm × t0.8 mm
  - (2) Board material: Glass epoxy resin (four layers)
  - (3) Wiring ratio: 50%
  - (4) Test conditions: When mounted on board (wind speed: 0 m/s)
  - (5) Land pattern: Refer to the recommended land pattern
- Drawing code: PL004-A-L-SD (HSNT-4 (1010)), PK004-A-L-SD (HSNT-4 (0808))



**Figure 10 Power Dissipation of Package (When Mounted on Board)**

**Table 12**

| Condition                             | Power Dissipation (Reference) | Thermal Resistance Value ( $\theta_j - a$ ) |
|---------------------------------------|-------------------------------|---|
| HSNT-4 (1010) (When mounted on board) | 870 mW                        | 115°C/W                                     |
| HSNT-4 (0808) (When mounted on board) | 850 mW                        | 117°C/W                                     |

## 5.5 V INPUT, 200 mA VOLTAGE REGULATOR S-1313 Series

Rev.2.2\_00

### ■ Electrical Characteristics

**Table 13**

(Ta = +25°C unless otherwise specified)

| Item  | Symbol  | Condition  | Min.   | Typ.                                | Max.                | Unit                           | Test Circuit |    |
|---|---|--|--|-------------------------------------|---------------------|--------------------------------|--------------|----|
| Output voltage*1                            | V <sub>OUT(E)</sub>                                     | V <sub>IN</sub> = V <sub>OUT(S)</sub> + 1.0 V,<br>I <sub>OUT</sub> = 30 mA   | 1.0 V ≤ V <sub>OUT(S)</sub> < 1.5 V  | V <sub>OUT(S)</sub><br>− 0.015      | V <sub>OUT(S)</sub> | V <sub>OUT(S)</sub><br>+ 0.015 | V            | 1  |
|   |   |  | 1.5 V ≤ V <sub>OUT(S)</sub> ≤ 3.5 V  | V <sub>OUT(S)</sub><br>× 0.99       | V <sub>OUT(S)</sub> | V <sub>OUT(S)</sub><br>× 1.01  | V            | 1  |
| Output current*2                            | I <sub>OUT</sub>  | V <sub>IN</sub> ≥ V <sub>OUT(S)</sub> + 1.0 V  | 1.0 V ≤ V <sub>OUT(S)</sub> < 1.1 V  | 100*5                               | –                   | –                              | mA           | 3  |
|   |   |  | 1.1 V ≤ V <sub>OUT(S)</sub> < 1.2 V  | 125*5                               | –                   | –                              | mA           | 3  |
|   |   |  | 1.2 V ≤ V <sub>OUT(S)</sub> < 1.3 V  | 150*5                               | –                   | –                              | mA           | 3  |
|   |   |  | 1.3 V ≤ V <sub>OUT(S)</sub> < 1.4 V  | 175*5                               | –                   | –                              | mA           | 3  |
|   |   |  | 1.4 V ≤ V <sub>OUT(S)</sub> ≤ 3.5 V  | 200*5                               | –                   | –                              | mA           | 3  |
| Dropout voltage*3                           | V <sub>drop</sub>                                       | I <sub>OUT</sub> = 100 mA  | 1.0 V ≤ V <sub>OUT(S)</sub> < 1.1 V  | 0.50                                | 0.76                | 1.55                           | V            | 1  |
|   |   |  | 1.1 V ≤ V <sub>OUT(S)</sub> < 1.2 V  | –                                   | 0.67                | 1.39                           | V            | 1  |
|   |   |  | 1.2 V ≤ V <sub>OUT(S)</sub> < 1.3 V  | –                                   | 0.58                | 1.25                           | V            | 1  |
|   |   |  | 1.3 V ≤ V <sub>OUT(S)</sub> < 1.4 V  | –                                   | 0.49                | 1.11                           | V            | 1  |
|   |   |  | 1.4 V ≤ V <sub>OUT(S)</sub> < 1.5 V  | –                                   | 0.43                | 0.99                           | V            | 1  |
|   |   |  | 1.5 V ≤ V <sub>OUT(S)</sub> < 1.7 V  | –                                   | 0.37                | 0.85                           | V            | 1  |
|   |   |  | 1.7 V ≤ V <sub>OUT(S)</sub> < 1.8 V  | –                                   | 0.31                | 0.68                           | V            | 1  |
|   |   |  | 1.8 V ≤ V <sub>OUT(S)</sub> < 2.0 V  | –                                   | 0.27                | 0.58                           | V            | 1  |
|   |   |  | 2.0 V ≤ V <sub>OUT(S)</sub> < 2.5 V  | –                                   | 0.23                | 0.49                           | V            | 1  |
|   |   |  | 2.5 V ≤ V <sub>OUT(S)</sub> < 2.8 V  | –                                   | 0.18                | 0.38                           | V            | 1  |
| 2.8 V ≤ V <sub>OUT(S)</sub> < 3.0 V         | –   | 0.17   | 0.33   | V                                   | 1                   |                                |              |    |
| 3.0 V ≤ V <sub>OUT(S)</sub> ≤ 3.5 V         | –   | 0.16   | 0.32   | V                                   | 1                   |                                |              |    |
| Line regulation                             | $\frac{\Delta V_{OUT1}}{\Delta V_{IN} \bullet V_{OUT}}$ | V <sub>OUT(S)</sub> + 0.5 V ≤ V <sub>IN</sub> ≤ 5.5 V,<br>I <sub>OUT</sub> = 1 μA                                      | 1.0 V ≤ V <sub>OUT(S)</sub> ≤ 3.5 V  | –                                   | 0.05                | 0.2                            | %/V          | 1  |
|   |   | V <sub>OUT(S)</sub> + 0.5 V ≤ V <sub>IN</sub> ≤ 5.5 V,<br>I <sub>OUT</sub> = 30 mA                                     | 1.0 V ≤ V <sub>OUT(S)</sub> < 1.1 V  | –                                   | 0.07                | 2.0                            | %/V          | 1  |
|   |   |  | 1.1 V ≤ V <sub>OUT(S)</sub> < 1.2 V  | –                                   | 0.06                | 1.0                            | %/V          | 1  |
|   |   |  | 1.2 V ≤ V <sub>OUT(S)</sub> ≤ 3.5 V  | –                                   | 0.05                | 0.2                            | %/V          | 1  |
| Load regulation                             | ΔV <sub>OUT2</sub>                                      | V <sub>IN</sub> = V <sub>OUT(S)</sub> + 1.0 V,<br>1 μA ≤ I <sub>OUT</sub> ≤ 100 mA                                     | 1.0 V ≤ V <sub>OUT(S)</sub> ≤ 3.5 V  | –                                   | 20                  | 40                             | mV           | 1  |
|   |   |  | V <sub>IN</sub> = V <sub>OUT(S)</sub> + 1.0 V,<br>100 μA ≤ I <sub>OUT</sub> ≤ 200 mA | 1.0 V ≤ V <sub>OUT(S)</sub> < 1.1 V | –                   | 40                             | 640          | mV |
|   |   | 1.1 V ≤ V <sub>OUT(S)</sub> < 1.2 V  |  | –                                   | 40                  | 400                            | mV           | 1  |
|   |   | 1.2 V ≤ V <sub>OUT(S)</sub> < 1.3 V  |  | –                                   | 40                  | 160                            | mV           | 1  |
|   |   | 1.3 V ≤ V <sub>OUT(S)</sub> < 1.4 V  |  | –                                   | 40                  | 80                             | mV           | 1  |
|   |   | 1.4 V ≤ V <sub>OUT(S)</sub> ≤ 3.5 V  | –  | 40                                  | 80                  | mV                             | 1            |    |
| Output voltage temperature coefficient*4    | $\frac{\Delta V_{OUT}}{\Delta T_a \bullet V_{OUT}}$     | V <sub>IN</sub> = V <sub>OUT(S)</sub> + 1.0 V, I <sub>OUT</sub> = 30 mA,<br>−40°C ≤ Ta ≤ +85°C                         | –  | ±130                                | –                   | ppm/°C                         | 1            |    |
| Current consumption during operation        | I <sub>SS1</sub>  | V <sub>IN</sub> = V <sub>OUT(S)</sub> + 1.0 V, ON / OFF pin = ON, no load  | –  | 0.9                                 | 1.35                | μA                             | 2            |    |
| Current consumption during power-off        | I <sub>SS2</sub>  | V <sub>IN</sub> = V <sub>OUT(S)</sub> + 1.0 V, ON / OFF pin = OFF, no load   | –  | 0.01                                | 0.1                 | μA                             | 2            |    |
| Input voltage                               | V <sub>IN</sub>   | –  | 1.5  | –                                   | 5.5                 | V                              | –            |    |
| ON / OFF pin input voltage "H"              | V <sub>SH</sub>   | V <sub>IN</sub> = V <sub>OUT(S)</sub> + 1.0 V, R <sub>L</sub> = 1.0 kΩ,<br>determined by V <sub>OUT</sub> output level | 1.0  | –                                   | –                   | V                              | 4            |    |
| ON / OFF pin input voltage "L"              | V <sub>SL</sub>   | V <sub>IN</sub> = V <sub>OUT(S)</sub> + 1.0 V, R <sub>L</sub> = 1.0 kΩ,<br>determined by V <sub>OUT</sub> output level | –  | –                                   | 0.25                | V                              | 4            |    |
| ON / OFF pin input current "H"              | I <sub>SH</sub>   | V <sub>IN</sub> = 5.5 V,<br>V <sub>ON/OFF</sub> = 5.5 V  | B / D type (without constant current source pull-down)                               | −0.1                                | –                   | 0.1                            | μA           | 4  |
|   |   |  | A / C type (with constant current source pull-down)                                  | 0.05                                | 0.1                 | 0.2                            | μA           | 4  |
| ON / OFF pin input current "L"              | I <sub>SL</sub>   | V <sub>IN</sub> = 5.5 V, V <sub>ON/OFF</sub> = 0 V   | −0.1   | –                                   | 0.1                 | μA                             | 4            |    |
| Short-circuit current                       | I <sub>short</sub>                                      | V <sub>IN</sub> = V <sub>OUT(S)</sub> + 1.0 V, ON / OFF pin = ON, V <sub>OUT</sub> = 0 V                               | –  | 50                                  | –                   | mA                             | 3            |    |
| Thermal shutdown detection temperature      | T <sub>SD</sub>   | Junction temperature   | –  | 150                                 | –                   | °C                             | –            |    |
| Thermal shutdown release temperature        | T <sub>SR</sub>   | Junction temperature   | –  | 120                                 | –                   | °C                             | –            |    |
| Discharge shunt resistance during power-off | R <sub>LOW</sub>  | V <sub>OUT</sub> = 0.1 V,<br>V <sub>IN</sub> = 5.5 V   | –  | 35                                  | –                   | Ω                              | 3            |    |

- \*1.  $V_{OUT(S)}$ : Set output voltage  
 $V_{OUT(E)}$ : Actual output voltage  
Output voltage when fixing  $I_{OUT}$  (= 30 mA) and inputting  $V_{OUT(S)} + 1.0$  V
- \*2. The output current at which the output voltage becomes 95% of  $V_{OUT(E)}$  after gradually increasing the output current.
- \*3.  $V_{drop} = V_{IN1} - (V_{OUT3} \times 0.98)$   
 $V_{OUT3}$  is the output voltage when  $V_{IN} = V_{OUT(S)} + 1.0$  V and  $I_{OUT} = 100$  mA.  
 $V_{IN1}$  is the input voltage at which the output voltage becomes 98% of  $V_{OUT3}$  after gradually decreasing the input voltage.
- \*4. A change in the temperature of the output voltage [mV/°C] is calculated using the following equation.  
$$\frac{\Delta V_{OUT}}{\Delta T_a} \text{ [mV/}^\circ\text{C]}^*1 = V_{OUT(S)} \text{ [V]}^*2 \times \frac{\Delta V_{OUT}}{\Delta T_a \cdot V_{OUT}} \text{ [ppm/}^\circ\text{C]}^*3 \div 1000$$
  - \*1. Change in temperature of output voltage
  - \*2. Set output voltage
  - \*3. Output voltage temperature coefficient
- \*5. The output current can be at least this value.  
Due to restrictions on the package power dissipation, this value may not be satisfied. Attention should be paid to the power dissipation of the package when the output current is large.  
This specification is guaranteed by design.

■ Test Circuits

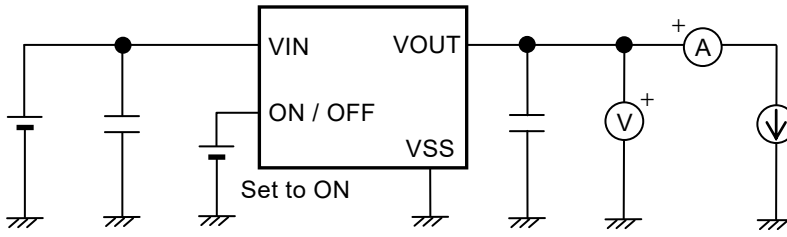


Figure 11 Test Circuit 1



Figure 12 Test Circuit 2

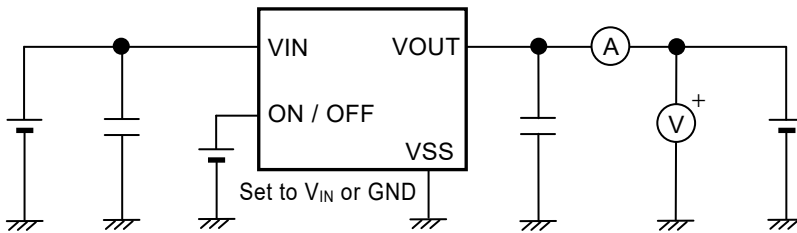


Figure 13 Test Circuit 3



Figure 14 Test Circuit 4

### ■ Standard Circuit



- \*1.  $C_{IN}$  is a capacitor for stabilizing the input.
- \*2. A ceramic capacitor of 0.1  $\mu\text{F}$  or more can be used as  $C_L$ .

Figure 15

**Caution** The above connection diagram and constants will not guarantee successful operation. Perform thorough evaluation using the actual application to set the constants.

### ■ Condition of Application

Input capacitor ( $C_{IN}$ ): 0.1  $\mu\text{F}$  or more  
Output capacitor ( $C_L$ ): 0.1  $\mu\text{F}$  or more

**Caution** Generally a series regulator may cause oscillation, depending on the selection of external parts. Confirm that no oscillation occurs in the application for which the above capacitors are used.

### ■ Selection of Input and Output Capacitors ( $C_{IN}$ , $C_L$ )

The S-1313 Series requires an output capacitor between the VOUT pin and the VSS pin for phase compensation. Operation is stabilized by a ceramic capacitor with an output capacitance of 0.1  $\mu\text{F}$  or more over the entire temperature range. When using an OS capacitor, a tantalum capacitor, or an aluminum electrolytic capacitor, the capacitance must be 0.1  $\mu\text{F}$  or more.

The value of the output overshoot or undershoot transient response varies depending on the value of the output capacitor. The required capacitance of the input capacitor differs depending on the application.

The recommended capacitance for an application is  $C_{IN} \geq 0.1 \mu\text{F}$ ,  $C_L \geq 0.1 \mu\text{F}$ ; however, when selecting the output capacitor, perform sufficient evaluation, including evaluation of temperature characteristics, on the actual device.



## ■ Explanation of Terms

### 1. Low dropout voltage regulator

This voltage regulator has the low dropout voltage due to its built-in low on-resistance transistor.

### 2. Output voltage ( $V_{OUT}$ )

The accuracy of the output voltage is ensured at  $\pm 1.0\%$  or  $\pm 15 \text{ mV}^*1$  under the specified conditions of fixed input voltage<sup>\*2</sup>, fixed output current, and fixed temperature.

\*1. When  $V_{OUT} < 1.5 \text{ V}$ :  $\pm 15 \text{ mV}$ , when  $V_{OUT} \geq 1.5 \text{ V}$ :  $\pm 1.0\%$

\*2. Differs depending on the product.

**Caution** If the above conditions change, the output voltage value may vary and exceed the accuracy range of the output voltage. Refer to "■ Electrical Characteristics" and "■ Characteristics (Typical Data)" for details.

### 3. Line regulation $\left( \frac{\Delta V_{OUT1}}{\Delta V_{IN} \cdot V_{OUT}} \right)$

Indicates the dependency of the output voltage on the input voltage. That is, the values show how much the output voltage changes due to a change in the input voltage with the output current remaining unchanged.

### 4. Load regulation ( $\Delta V_{OUT2}$ )

Indicates the dependency of the output voltage on the output current. That is, the values show how much the output voltage changes due to a change in the output current with the input voltage remaining unchanged.

### 5. Dropout voltage ( $V_{drop}$ )

Indicates the difference between input voltage ( $V_{IN1}$ ) and the output voltage when; decreasing input voltage ( $V_{IN}$ ) gradually until the output voltage has dropped out to the value of 98% of output voltage ( $V_{OUT3}$ ), which is at  $V_{IN} = V_{OUT(S)} + 1.0 \text{ V}$ .

$$V_{drop} = V_{IN1} - (V_{OUT3} \times 0.98)$$

**6. Output voltage temperature coefficient**  $\left(\frac{\Delta V_{OUT}}{\Delta T_a \bullet V_{OUT}}\right)$

The shaded area in **Figure 16** is the range where  $V_{OUT}$  varies in the operation temperature range when the output voltage temperature coefficient is  $\pm 130$  ppm/ $^{\circ}\text{C}$ .



\*1.  $V_{OUT(E)}$  is the value of the output voltage measured at  $T_a = +25^{\circ}\text{C}$ .

**Figure 16**

A change in the temperature of the output voltage [mV/ $^{\circ}\text{C}$ ] is calculated using the following equation.

$$\frac{\Delta V_{OUT}}{\Delta T_a} \text{ [mV/}^{\circ}\text{C]}^{*1} = V_{OUT(S)} \text{ [V]}^{*2} \times \frac{\Delta V_{OUT}}{\Delta T_a \bullet V_{OUT}} \text{ [ppm/}^{\circ}\text{C]}^{*3} \div 1000$$

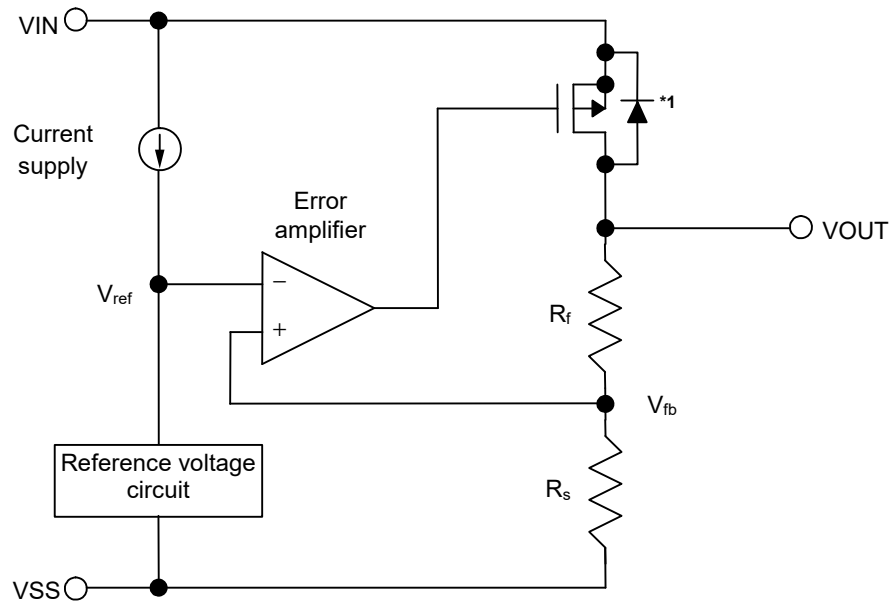
- \*1. Change in temperature of output voltage
- \*2. Set output voltage
- \*3. Output voltage temperature coefficient

## ■ Operation

### 1. Basic operation

Figure 17 shows the block diagram of the S-1313 Series.

The error amplifier compares the reference voltage ( $V_{ref}$ ) with feedback voltage ( $V_{fb}$ ), which is the output voltage resistance-divided by feedback resistors ( $R_s$  and  $R_f$ ). It supplies the gate voltage necessary to maintain the constant output voltage which is not influenced by the input voltage and temperature change, to the output transistor.



\*1. Parasitic diode

Figure 17

### 2. Output transistor

In the S-1313 Series, a low on-resistance P-channel MOS FET is used as the output transistor.

Be sure that  $V_{OUT}$  does not exceed  $V_{IN} + 0.3$  V to prevent the voltage regulator from being damaged due to reverse current flowing from the  $V_{OUT}$  pin through a parasitic diode to the  $V_{IN}$  pin, when the potential of  $V_{OUT}$  became higher than  $V_{IN}$ .

**3. ON / OFF pin**

This pin starts and stops the regulator.

When the ON / OFF pin is set to OFF level, the entire internal circuit stops operating, and the built-in P-channel MOS FET output transistor between the VIN pin and the VOUT pin is turned off, reducing current consumption significantly. Note that the current consumption increases when a voltage of 0.25 V to  $V_{IN} - 0.3$  V is applied to the ON / OFF pin. The ON / OFF pin is configured as shown in **Figure 18** and **Figure 19**.

**3.1 S-1313 Series A / C type**

The ON / OFF pin is internally pulled down to the VSS pin in the floating status, so the VOUT pin is set to the VSS level.

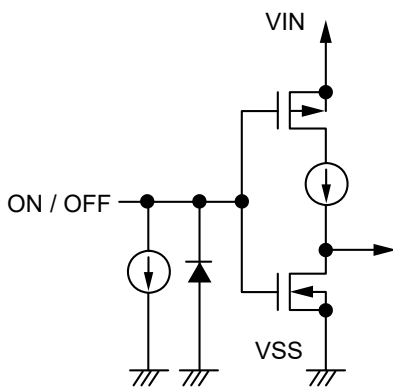
**3.2 S-1313 Series B / D type**

The ON / OFF pin is not internally pulled down to the VSS pin, so do not use this pin in the floating status. When not using the ON / OFF pin, connect the pin to the VIN pin.

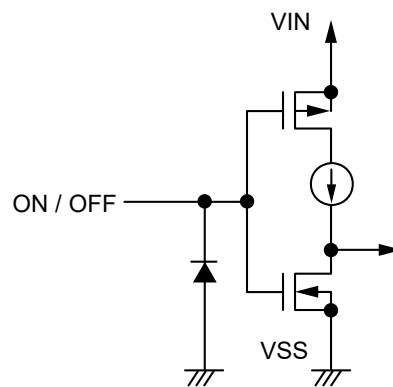
**Table 14**

| Product Type  | ON / OFF Pin | Internal Circuit | VOUT Pin Voltage | Current Consumption |
|---------------|--------------|------------------|------------------|---------------------|
| A / B / C / D | "H": ON      | Operate          | Set value        | $I_{SS1}^{*1}$      |
| A / B / C / D | "L": OFF     | Stop             | VSS level        | $I_{SS2}$           |

\*1. Note that the IC's current consumption increases as much as current flows into the constant current of 0.1  $\mu$ A typ. when the ON / OFF pin is connected to the VIN pin and the S-1313 Series A / C type is operating (refer to **Figure 18**).



**Figure 18 S-1313 Series A / C type**



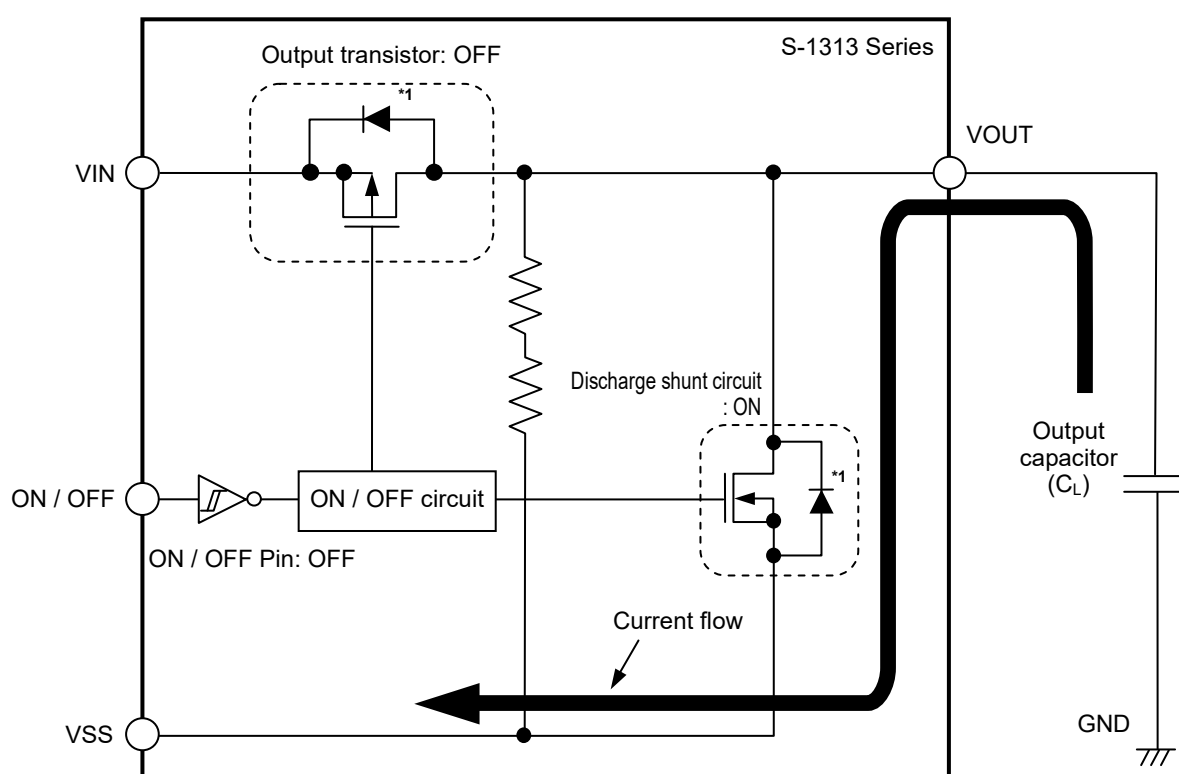
**Figure 19 S-1313 Series B / D type**

#### 4. Discharge shunt function (S-1313 Series A / B type)

The S-1313 Series A / B type has a built-in discharge shunt circuit to discharge the output capacitance. The output capacitance is discharged as follows so that the VOUT pin reaches the V<sub>SS</sub> level.

- (1) The ON / OFF pin is set to OFF level.
- (2) The output transistor is turned off.
- (3) The discharge shunt circuit is turned on.
- (4) The output capacitor discharges.

Since the S-1313 Series C / D type does not have a discharge shunt circuit, the VOUT pin is set to V<sub>SS</sub> level through several MΩ internal divided resistors between the VOUT pin and the VSS pin. The S-1313 Series A / B type allows the VOUT pin to reach the V<sub>SS</sub> level rapidly due to the discharge shunt circuit.



\*1. Parasitic diode

Figure 20

#### 5. Constant current source pull-down (S-1313 Series A / C type)

The ON / OFF pin is internally pulled down to the VSS pin in the floating status, so the VOUT pin is set to the V<sub>SS</sub> level.

Note that the IC's current consumption increases as much as current flows into the constant current of 0.1 μA typ. when the ON / OFF pin is connected to the VIN pin and the S-1313 Series A / C type is operating.

### 6. Overcurrent protection circuit

The S-1313 Series includes an overcurrent protection circuit which has the characteristics shown in "1. Output voltage vs. Output current (When load current increases) (Ta = +25°C)" in "■ Characteristics (Typical Data)", in order to protect the output transistor against an excessive output current and short circuiting between the VOUT pin and the VSS pin. The current when the output pin is short-circuited (I<sub>short</sub>) is internally set at approx. 50 mA typ., and the normal value is restored for the output voltage, if releasing a short circuit once.

**Caution** This overcurrent protection circuit does not work as for thermal protection. If this IC long keeps short circuiting inside, pay attention to the conditions of input voltage and load current so that, under the usage conditions including short circuit, the loss of the IC will not exceed power dissipation of the package.

### 7. Thermal shutdown circuit

The S-1313 Series has a thermal shutdown circuit to protect the device from damage due to overheat. When the junction temperature rises to 150°C typ., the thermal shutdown circuit operates to stop regulating. When the junction temperature drops to 120°C typ., the thermal shutdown circuit is released to restart regulating. Due to self-heating of the S-1313 Series, if the thermal shutdown circuit starts operating, it stops regulating so that the output voltage drops. When regulation stops, the S-1313 Series does not itself generate heat and the IC's temperature drops. When the temperature drops, the thermal shutdown circuit is released to restart regulating, thus this IC generates heat again. Repeating this procedure makes the waveform of the output voltage into a pulse-like form. Stop or restart of regulation continues unless decreasing either or both of the input voltage and the output current in order to reduce the internal power consumption, or decreasing the ambient temperature.

Table 15

| Thermal Shutdown Circuit | VOUT Pin Voltage      |
|--------------------------|-----------------------|
| Operate: 150°C typ.*1    | V <sub>SS</sub> level |
| Release: 120°C typ.*1    | Set value             |

\*1. Junction temperature

### 8. Thermal shutdown circuit stop function

The S-1313 Series has a thermal shutdown circuit stop function during low load current. When the load current is approx. 0.2 mA or less, the current that flows in the thermal shutdown circuit is stopped and the thermal shutdown circuit stops operating. This makes the super low current consumption operation possible. When the load current is approx. 0.5 mA or more, a current is applied to the thermal shutdown circuit, thus making the protection operation possible.



Figure 21

## ■ Precautions

- Wiring patterns for the VIN pin, the VOUT pin and GND should be designed so that the impedance is low. When mounting an output capacitor between the VOUT pin and the VSS pin ( $C_L$ ) and a capacitor for stabilizing the input between the VIN pin and the VSS pin ( $C_{IN}$ ), the distance from the capacitors to these pins should be as short as possible.
- Note that generally the output voltage may increase when a series regulator is used at low load current (10  $\mu$ A or less).
- Note that generally the output voltage may increase due to the leakage current from an output driver when a series regulator is used at high temperature.
- Note that the output voltage may increase due to the leakage current from an output driver even if the ON / OFF pin is at OFF level when a series regulator is used at high temperature.
- Generally a series regulator may cause oscillation, depending on the selection of external parts. The following conditions are recommended for the S-1313 Series. However, be sure to perform sufficient evaluation under the actual usage conditions for selection, including evaluation of temperature characteristics. Refer to "6. **Example of equivalent series resistance vs. Output current characteristics ( $T_a = +25^\circ\text{C}$ )**" in "■ Reference Data" for the equivalent series resistance ( $R_{ESR}$ ) of the output capacitor.

|                               |                     |
|-------------------------------|---------------------|
| Input capacitor ( $C_{IN}$ ): | 0.1 $\mu$ F or more |
| Output capacitor ( $C_L$ ):   | 0.1 $\mu$ F or more |

- The voltage regulator may oscillate when the impedance of the power supply is high and the input capacitance is small or an input capacitor is not connected.
- Ringing may occur when these three conditions below are satisfied. Before selecting an input capacitor, be sure to evaluate sufficiently under the actual usage conditions, including the temperature characteristics.
  - The power supply inductance is high.
  - The load current is 100 mA or more.
  - The difference between the input voltage and the output voltage is close to the value of dropout voltage.
- If the output capacitance is small, power supply's fluctuation and the characteristics of load fluctuation become worse. Sufficiently evaluate the output voltage's fluctuation with the actual device.
- Overshoot may occur in the output voltage momentarily if the voltage is rapidly raised at power-on or when the power supply fluctuates. Sufficiently evaluate the output voltage at power-on with the actual device.
- The application conditions for the input voltage, the output voltage, and the load current should not exceed the package power dissipation.
- Do not apply an electrostatic discharge to this IC that exceeds the performance ratings of the built-in electrostatic protection circuit.
- In determining the output current, attention should be paid to the output current value specified in **Table 13** in "■ Electrical Characteristics" and footnote \*5 of the table.
- ABLIC Inc. claims no responsibility for any disputes arising out of or in connection with any infringement by products including this IC of patents owned by a third party.

■ Characteristics (Typical Data)

1. Output voltage vs. Output current (When load current increases) ( $T_a = +25^\circ\text{C}$ )

1.1  $V_{OUT} = 1.0\text{ V}$



1.2  $V_{OUT} = 2.5\text{ V}$



1.3  $V_{OUT} = 3.5\text{ V}$



**Remark** In determining the output current, attention should be paid to the following.

1. The minimum output current value and footnote \*5 in Table 13 in "■ Electrical Characteristics"
2. The package power dissipation

2. Output voltage vs. Input voltage ( $T_a = +25^\circ\text{C}$ )

2.1  $V_{OUT} = 1.0\text{ V}$



2.2  $V_{OUT} = 2.5\text{ V}$



2.3  $V_{OUT} = 3.5\text{ V}$





3. Dropout voltage vs. Output current

3.1  $V_{OUT} = 1.0\text{ V}$



3.2  $V_{OUT} = 2.5\text{ V}$



3.3  $V_{OUT} = 3.5\text{ V}$

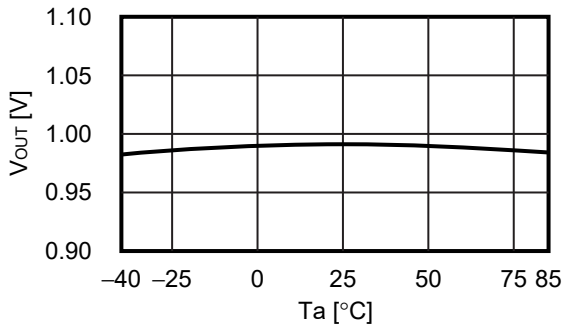


4. Dropout voltage vs. Set output voltage

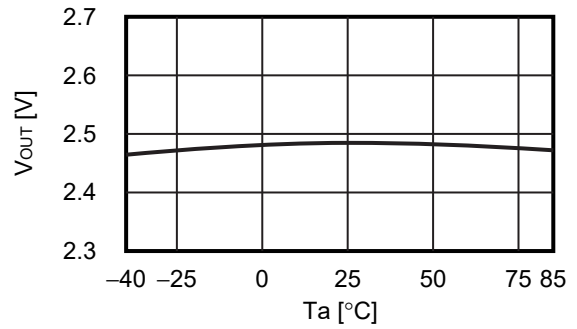


**5. Output voltage vs. Ambient temperature**

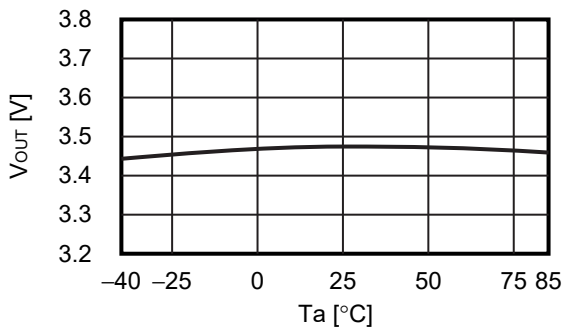
**5.1  $V_{OUT} = 1.0\text{ V}$**



**5.2  $V_{OUT} = 2.5\text{ V}$**

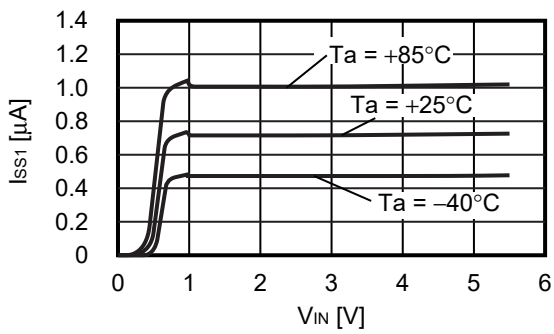


**5.3  $V_{OUT} = 3.5\text{ V}$**

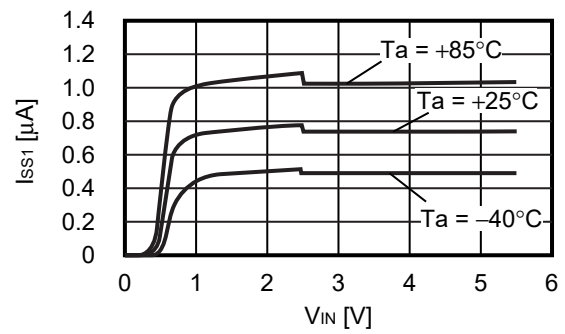


**6. Current consumption vs. Input voltage**

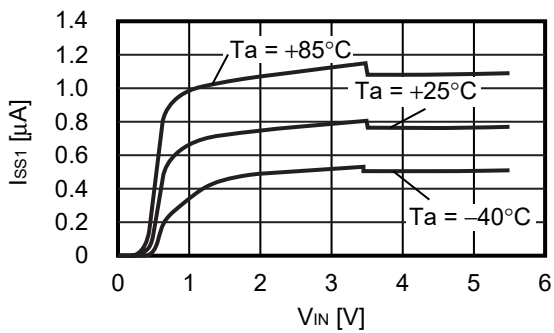
**6.1  $V_{OUT} = 1.0\text{ V}$**



**6.2  $V_{OUT} = 2.5\text{ V}$**



**6.3  $V_{OUT} = 3.5\text{ V}$**



7. Current consumption vs. Ambient temperature

7.1  $V_{OUT} = 1.0\text{ V}$



7.2  $V_{OUT} = 2.5\text{ V}$



7.3  $V_{OUT} = 3.5\text{ V}$



8. Current consumption vs. Output current

8.1  $V_{OUT} = 1.0\text{ V}$



8.2  $V_{OUT} = 2.5\text{ V}$



8.3  $V_{OUT} = 3.5\text{ V}$



■ **Reference Data**

**1. Transient response characteristics when input ( $T_a = +25^\circ\text{C}$ )**

**1.1  $V_{OUT} = 1.0\text{ V}$**

$I_{OUT} = 1\text{ mA}$ ,  $C_{IN} = C_L = 0.1\ \mu\text{F}$ ,  $V_{IN} = 2.0\text{ V} \leftrightarrow 3.0\text{ V}$ ,  $t_r = t_f = 5.0\ \mu\text{s}$



$I_{OUT} = 100\text{ mA}$ ,  $C_{IN} = C_L = 0.1\ \mu\text{F}$ ,  $V_{IN} = 2.0\text{ V} \leftrightarrow 3.0\text{ V}$ ,  $t_r = t_f = 5.0\ \mu\text{s}$



**1.2  $V_{OUT} = 2.5\text{ V}$**

$I_{OUT} = 1\text{ mA}$ ,  $C_{IN} = C_L = 0.1\ \mu\text{F}$ ,  $V_{IN} = 3.5\text{ V} \leftrightarrow 4.5\text{ V}$ ,  $t_r = t_f = 5.0\ \mu\text{s}$



$I_{OUT} = 100\text{ mA}$ ,  $C_{IN} = C_L = 0.1\ \mu\text{F}$ ,  $V_{IN} = 3.5\text{ V} \leftrightarrow 4.5\text{ V}$ ,  $t_r = t_f = 5.0\ \mu\text{s}$



**1.3  $V_{OUT} = 3.5\text{ V}$**

$I_{OUT} = 1\text{ mA}$ ,  $C_{IN} = C_L = 0.1\ \mu\text{F}$ ,  $V_{IN} = 4.5\text{ V} \leftrightarrow 5.5\text{ V}$ ,  $t_r = t_f = 5.0\ \mu\text{s}$



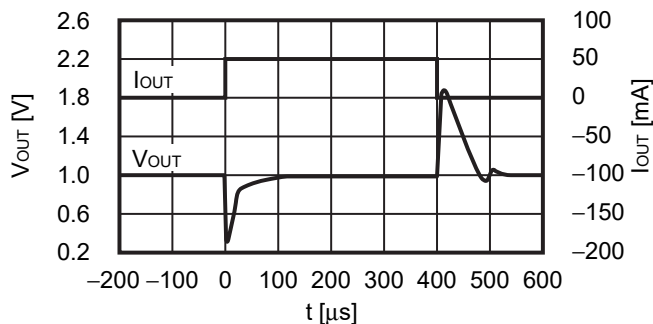
$I_{OUT} = 100\text{ mA}$ ,  $C_{IN} = C_L = 0.1\ \mu\text{F}$ ,  $V_{IN} = 4.5\text{ V} \leftrightarrow 5.5\text{ V}$ ,  $t_r = t_f = 5.0\ \mu\text{s}$



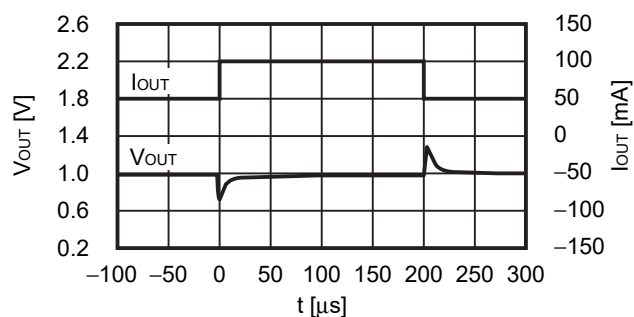
2. Transient response characteristics of load ( $T_a = +25^\circ\text{C}$ )

2.1  $V_{\text{OUT}} = 1.0 \text{ V}$

$V_{\text{IN}} = 2.0 \text{ V}$ ,  $C_{\text{IN}} = C_{\text{L}} = 0.1 \mu\text{F}$ ,  $I_{\text{OUT}} = 1 \text{ mA} \leftrightarrow 50 \text{ mA}$

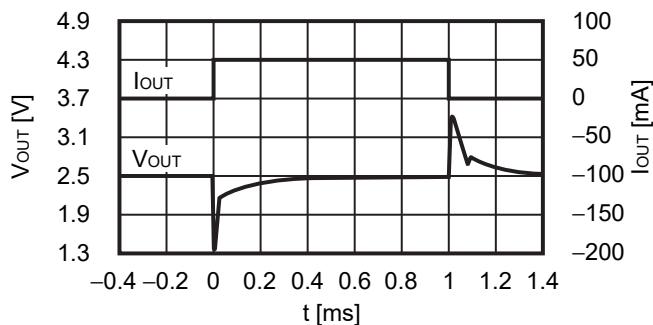


$V_{\text{IN}} = 2.0 \text{ V}$ ,  $C_{\text{IN}} = C_{\text{L}} = 0.1 \mu\text{F}$ ,  $I_{\text{OUT}} = 50 \text{ mA} \leftrightarrow 100 \text{ mA}$

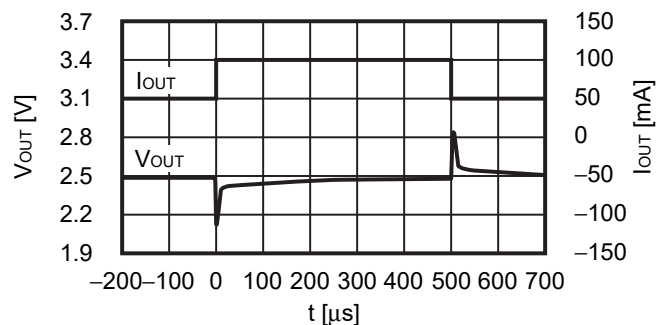


2.2  $V_{\text{OUT}} = 2.5 \text{ V}$

$V_{\text{IN}} = 3.5 \text{ V}$ ,  $C_{\text{IN}} = C_{\text{L}} = 0.1 \mu\text{F}$ ,  $I_{\text{OUT}} = 1 \text{ mA} \leftrightarrow 50 \text{ mA}$

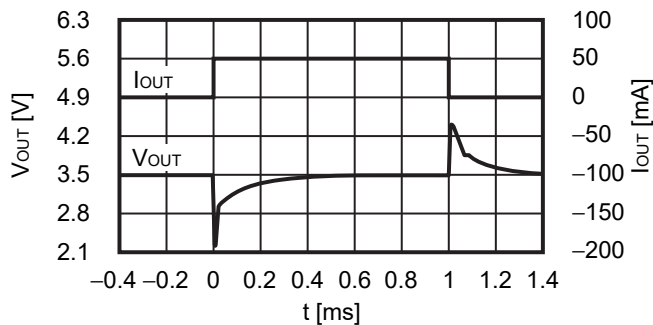


$V_{\text{IN}} = 3.5 \text{ V}$ ,  $C_{\text{IN}} = C_{\text{L}} = 0.1 \mu\text{F}$ ,  $I_{\text{OUT}} = 50 \text{ mA} \leftrightarrow 100 \text{ mA}$

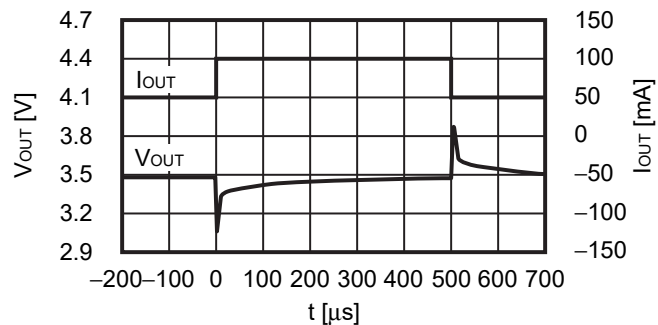


2.3  $V_{\text{OUT}} = 3.5 \text{ V}$

$V_{\text{IN}} = 4.5 \text{ V}$ ,  $C_{\text{IN}} = C_{\text{L}} = 0.1 \mu\text{F}$ ,  $I_{\text{OUT}} = 1 \text{ mA} \leftrightarrow 50 \text{ mA}$



$V_{\text{IN}} = 4.5 \text{ V}$ ,  $C_{\text{IN}} = C_{\text{L}} = 0.1 \mu\text{F}$ ,  $I_{\text{OUT}} = 50 \text{ mA} \leftrightarrow 100 \text{ mA}$



**3. Transient response characteristics of ON / OFF pin ( $T_a = +25^\circ\text{C}$ )**

**3.1  $V_{\text{OUT}} = 1.0 \text{ V}$**

$V_{\text{IN}} = 2.0 \text{ V}$ ,  $C_{\text{IN}} = C_{\text{L}} = 0.1 \mu\text{F}$ ,  $I_{\text{OUT}} = 1 \text{ mA}$ ,  $V_{\text{ON/OFF}} = 0 \text{ V} \rightarrow 2 \text{ V}$ ,  $t_r = 1.0 \mu\text{s}$



$V_{\text{IN}} = 2.0 \text{ V}$ ,  $C_{\text{IN}} = C_{\text{L}} = 0.1 \mu\text{F}$ ,  $I_{\text{OUT}} = 100 \text{ mA}$ ,  $V_{\text{ON/OFF}} = 0 \text{ V} \rightarrow 2 \text{ V}$ ,  $t_r = 1.0 \mu\text{s}$



**3.2  $V_{\text{OUT}} = 2.5 \text{ V}$**

$V_{\text{IN}} = 3.5 \text{ V}$ ,  $C_{\text{IN}} = C_{\text{L}} = 0.1 \mu\text{F}$ ,  $I_{\text{OUT}} = 1 \text{ mA}$ ,  $V_{\text{ON/OFF}} = 0 \text{ V} \rightarrow 3.5 \text{ V}$ ,  $t_r = 1.0 \mu\text{s}$



$V_{\text{IN}} = 3.5 \text{ V}$ ,  $C_{\text{IN}} = C_{\text{L}} = 0.1 \mu\text{F}$ ,  $I_{\text{OUT}} = 100 \text{ mA}$ ,  $V_{\text{ON/OFF}} = 0 \text{ V} \rightarrow 3.5 \text{ V}$ ,  $t_r = 1.0 \mu\text{s}$



**3.3  $V_{\text{OUT}} = 3.5 \text{ V}$**

$V_{\text{IN}} = 4.5 \text{ V}$ ,  $C_{\text{IN}} = C_{\text{L}} = 0.1 \mu\text{F}$ ,  $I_{\text{OUT}} = 1 \text{ mA}$ ,  $V_{\text{ON/OFF}} = 0 \text{ V} \rightarrow 4.5 \text{ V}$ ,  $t_r = 1.0 \mu\text{s}$



$V_{\text{IN}} = 4.5 \text{ V}$ ,  $C_{\text{IN}} = C_{\text{L}} = 0.1 \mu\text{F}$ ,  $I_{\text{OUT}} = 100 \text{ mA}$ ,  $V_{\text{ON/OFF}} = 0 \text{ V} \rightarrow 4.5 \text{ V}$ ,  $t_r = 1.0 \mu\text{s}$



4. Output capacitance vs. Characteristics of discharge time ( $T_a = +25^\circ\text{C}$ )

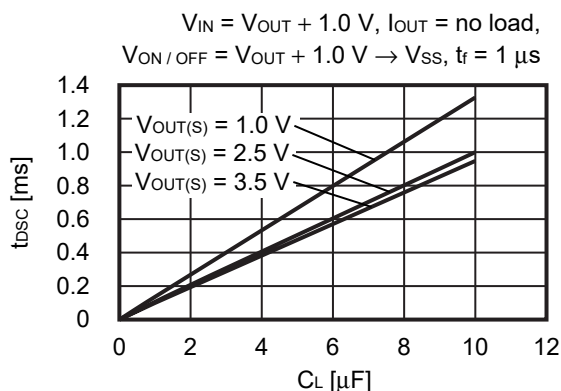


Figure 22 S-1313 Series A / B type (with discharge shunt function)

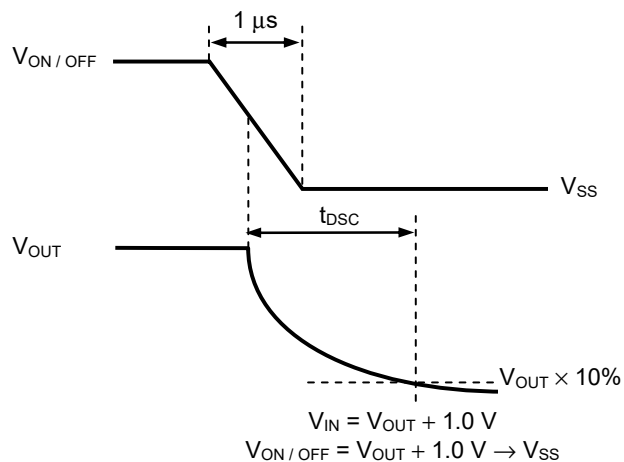
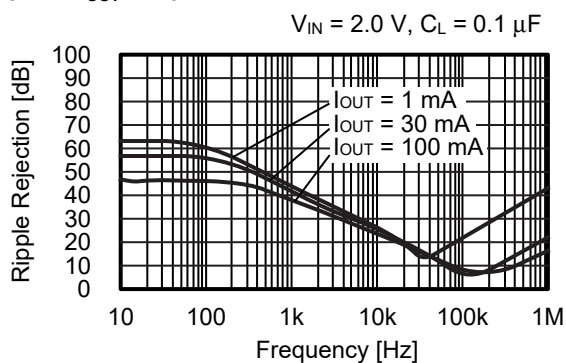


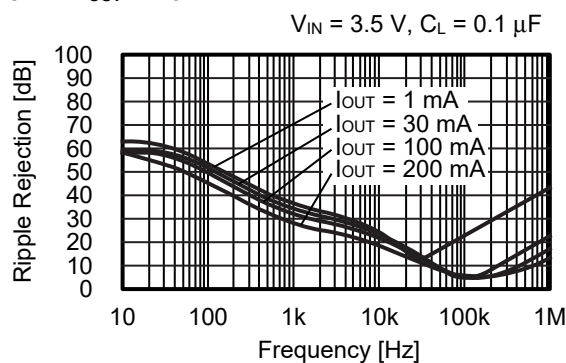
Figure 23 Measurement Condition of Discharge Time

5. Ripple rejection ( $T_a = +25^\circ\text{C}$ )

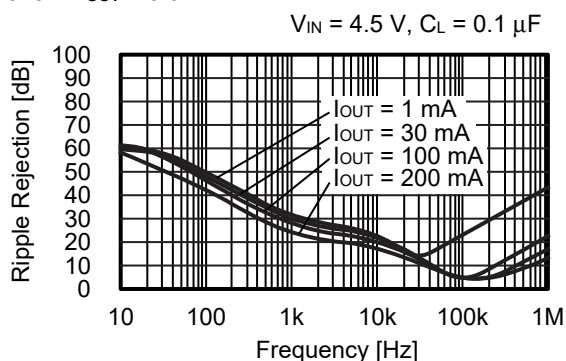
5.1  $V_{OUT} = 1.0\text{ V}$



5.2  $V_{OUT} = 2.5\text{ V}$



5.3  $V_{OUT} = 3.5\text{ V}$



6. Example of equivalent series resistance vs. Output current characteristics ( $T_a = +25^\circ\text{C}$ )

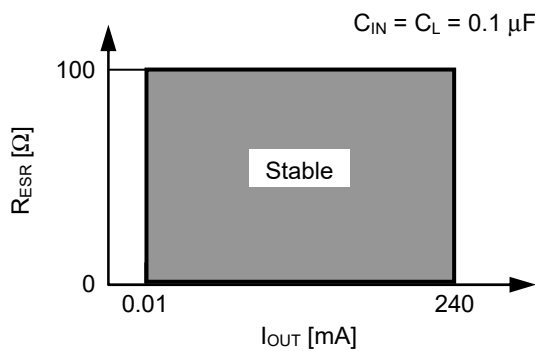
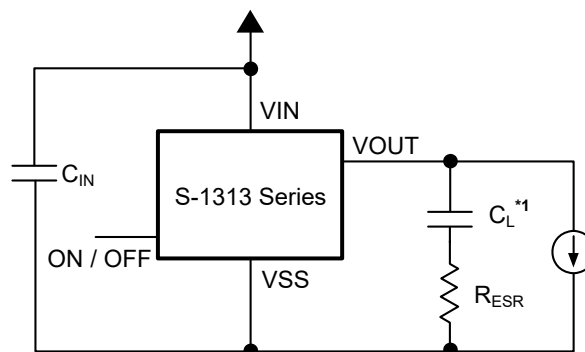


Figure 24



\*1.  $C_L$ : Murata Manufacturing Co., Ltd. GRM31CR72E104K (0.1  $\mu\text{F}$ )

Figure 25



## ■ Marking Specifications

### 1. SOT-23-5



(1) to (3): Product code (Refer to **Product name vs. Product code**)  
(4): Lot number

#### Product name vs. Product code

##### 1.1 S-1313 Series A type

| Product Name     | Product Code |     |     |
|------------------|--------------|-----|-----|
|                  | (1)          | (2) | (3) |
| S-1313A10-M5T1U3 | 1            | L   | A   |
| S-1313A11-M5T1U3 | 1            | L   | B   |
| S-1313A12-M5T1U3 | 1            | L   | C   |
| S-1313A13-M5T1U3 | 1            | L   | D   |
| S-1313A14-M5T1U3 | 1            | L   | E   |
| S-1313A15-M5T1U3 | 1            | L   | F   |
| S-1313A16-M5T1U3 | 1            | L   | G   |
| S-1313A17-M5T1U3 | 1            | L   | H   |
| S-1313A18-M5T1U3 | 1            | L   | J   |
| S-1313A1J-M5T1U3 | 1            | L   | K   |
| S-1313A19-M5T1U3 | 1            | L   | L   |
| S-1313A20-M5T1U3 | 1            | L   | N   |
| S-1313A21-M5T1U3 | 1            | L   | O   |
| S-1313A22-M5T1U3 | 1            | L   | P   |
| S-1313A23-M5T1U3 | 1            | L   | Q   |
| S-1313A24-M5T1U3 | 1            | L   | R   |
| S-1313A25-M5T1U3 | 1            | L   | S   |
| S-1313A26-M5T1U3 | 1            | L   | T   |
| S-1313A27-M5T1U3 | 1            | L   | V   |
| S-1313A28-M5T1U3 | 1            | L   | U   |
| S-1313A2J-M5T1U3 | 1            | L   | X   |
| S-1313A29-M5T1U3 | 1            | L   | Y   |
| S-1313A30-M5T1U3 | 1            | L   | Z   |
| S-1313A31-M5T1U3 | 1            | L   | 1   |
| S-1313A32-M5T1U3 | 1            | L   | 2   |
| S-1313A33-M5T1U3 | 1            | L   | 3   |
| S-1313A34-M5T1U3 | 1            | L   | 4   |
| S-1313A35-M5T1U3 | 1            | L   | 5   |

##### 1.2 S-1313 Series B type

| Product Name     | Product Code |     |     |
|------------------|--------------|-----|-----|
|                  | (1)          | (2) | (3) |
| S-1313B10-M5T1U3 | 1            | N   | A   |
| S-1313B11-M5T1U3 | 1            | N   | B   |
| S-1313B12-M5T1U3 | 1            | N   | C   |
| S-1313B13-M5T1U3 | 1            | N   | D   |
| S-1313B14-M5T1U3 | 1            | N   | E   |
| S-1313B15-M5T1U3 | 1            | N   | F   |
| S-1313B16-M5T1U3 | 1            | N   | G   |
| S-1313B17-M5T1U3 | 1            | N   | H   |
| S-1313B18-M5T1U3 | 1            | N   | J   |
| S-1313B1J-M5T1U3 | 1            | N   | K   |
| S-1313B19-M5T1U3 | 1            | N   | L   |
| S-1313B20-M5T1U3 | 1            | N   | N   |
| S-1313B21-M5T1U3 | 1            | N   | O   |
| S-1313B22-M5T1U3 | 1            | N   | P   |
| S-1313B23-M5T1U3 | 1            | N   | Q   |
| S-1313B24-M5T1U3 | 1            | N   | R   |
| S-1313B25-M5T1U3 | 1            | N   | S   |
| S-1313B26-M5T1U3 | 1            | N   | T   |
| S-1313B27-M5T1U3 | 1            | N   | U   |
| S-1313B28-M5T1U3 | 1            | N   | V   |
| S-1313B2J-M5T1U3 | 1            | N   | X   |
| S-1313B29-M5T1U3 | 1            | N   | Y   |
| S-1313B30-M5T1U3 | 1            | N   | Z   |
| S-1313B31-M5T1U3 | 1            | N   | 1   |
| S-1313B32-M5T1U3 | 1            | N   | 2   |
| S-1313B33-M5T1U3 | 1            | N   | 3   |
| S-1313B34-M5T1U3 | 1            | N   | 4   |
| S-1313B35-M5T1U3 | 1            | N   | 5   |

**1.3 S-1313 Series C type**

| Product Name     | Product Code |     |     |
|------------------|--------------|-----|-----|
|                  | (1)          | (2) | (3) |
| S-1313C10-M5T1U3 | 1            | O   | A   |
| S-1313C11-M5T1U3 | 1            | O   | B   |
| S-1313C12-M5T1U3 | 1            | O   | C   |
| S-1313C13-M5T1U3 | 1            | O   | D   |
| S-1313C14-M5T1U3 | 1            | O   | E   |
| S-1313C15-M5T1U3 | 1            | O   | F   |
| S-1313C16-M5T1U3 | 1            | O   | G   |
| S-1313C17-M5T1U3 | 1            | O   | H   |
| S-1313C18-M5T1U3 | 1            | O   | J   |
| S-1313C1J-M5T1U3 | 1            | O   | K   |
| S-1313C19-M5T1U3 | 1            | O   | L   |
| S-1313C20-M5T1U3 | 1            | O   | N   |
| S-1313C21-M5T1U3 | 1            | O   | O   |
| S-1313C22-M5T1U3 | 1            | O   | P   |
| S-1313C23-M5T1U3 | 1            | O   | Q   |
| S-1313C24-M5T1U3 | 1            | O   | R   |
| S-1313C25-M5T1U3 | 1            | O   | S   |
| S-1313C26-M5T1U3 | 1            | O   | T   |
| S-1313C27-M5T1U3 | 1            | O   | U   |
| S-1313C28-M5T1U3 | 1            | O   | V   |
| S-1313C2J-M5T1U3 | 1            | O   | X   |
| S-1313C29-M5T1U3 | 1            | O   | Y   |
| S-1313C30-M5T1U3 | 1            | O   | Z   |
| S-1313C31-M5T1U3 | 1            | O   | 1   |
| S-1313C32-M5T1U3 | 1            | O   | 2   |
| S-1313C33-M5T1U3 | 1            | O   | 3   |
| S-1313C34-M5T1U3 | 1            | O   | 4   |
| S-1313C35-M5T1U3 | 1            | O   | 5   |

**1.4 S-1313 Series D type**

| Product Name     | Product Code |     |     |
|------------------|--------------|-----|-----|
|                  | (1)          | (2) | (3) |
| S-1313D10-M5T1U3 | 1            | P   | A   |
| S-1313D11-M5T1U3 | 1            | P   | B   |
| S-1313D12-M5T1U3 | 1            | P   | C   |
| S-1313D13-M5T1U3 | 1            | P   | D   |
| S-1313D14-M5T1U3 | 1            | P   | E   |
| S-1313D15-M5T1U3 | 1            | P   | F   |
| S-1313D16-M5T1U3 | 1            | P   | G   |
| S-1313D17-M5T1U3 | 1            | P   | H   |
| S-1313D18-M5T1U3 | 1            | P   | J   |
| S-1313D1J-M5T1U3 | 1            | P   | K   |
| S-1313D19-M5T1U3 | 1            | P   | L   |
| S-1313D20-M5T1U3 | 1            | P   | N   |
| S-1313D21-M5T1U3 | 1            | P   | O   |
| S-1313D22-M5T1U3 | 1            | P   | P   |
| S-1313D23-M5T1U3 | 1            | P   | Q   |
| S-1313D24-M5T1U3 | 1            | P   | R   |
| S-1313D25-M5T1U3 | 1            | P   | S   |
| S-1313D26-M5T1U3 | 1            | P   | T   |
| S-1313D27-M5T1U3 | 1            | P   | U   |
| S-1313D28-M5T1U3 | 1            | P   | V   |
| S-1313D2J-M5T1U3 | 1            | P   | X   |
| S-1313D29-M5T1U3 | 1            | P   | Y   |
| S-1313D30-M5T1U3 | 1            | P   | Z   |
| S-1313D31-M5T1U3 | 1            | P   | 1   |
| S-1313D32-M5T1U3 | 1            | P   | 2   |
| S-1313D33-M5T1U3 | 1            | P   | 3   |
| S-1313D34-M5T1U3 | 1            | P   | 4   |
| S-1313D35-M5T1U3 | 1            | P   | 5   |

## 2. SC-82AB

(1) to (3): Product code (Refer to **Product name vs. Product code**)

## Product name vs. Product code

## 2.1 S-1313 Series A type

| Product Name     | Product Code |     |     |
|------------------|--------------|-----|-----|
|                  | (1)          | (2) | (3) |
| S-1313A10-N4T1U3 | 1            | L   | A   |
| S-1313A11-N4T1U3 | 1            | L   | B   |
| S-1313A12-N4T1U3 | 1            | L   | C   |
| S-1313A13-N4T1U3 | 1            | L   | D   |
| S-1313A14-N4T1U3 | 1            | L   | E   |
| S-1313A15-N4T1U3 | 1            | L   | F   |
| S-1313A16-N4T1U3 | 1            | L   | G   |
| S-1313A17-N4T1U3 | 1            | L   | H   |
| S-1313A18-N4T1U3 | 1            | L   | J   |
| S-1313A1J-N4T1U3 | 1            | L   | K   |
| S-1313A19-N4T1U3 | 1            | L   | L   |
| S-1313A20-N4T1U3 | 1            | L   | N   |
| S-1313A21-N4T1U3 | 1            | L   | O   |
| S-1313A22-N4T1U3 | 1            | L   | P   |
| S-1313A23-N4T1U3 | 1            | L   | Q   |
| S-1313A24-N4T1U3 | 1            | L   | R   |
| S-1313A25-N4T1U3 | 1            | L   | S   |
| S-1313A26-N4T1U3 | 1            | L   | T   |
| S-1313A27-N4T1U3 | 1            | L   | V   |
| S-1313A28-N4T1U3 | 1            | L   | U   |
| S-1313A2J-N4T1U3 | 1            | L   | X   |
| S-1313A29-N4T1U3 | 1            | L   | Y   |
| S-1313A30-N4T1U3 | 1            | L   | Z   |
| S-1313A31-N4T1U3 | 1            | L   | 1   |
| S-1313A32-N4T1U3 | 1            | L   | 2   |
| S-1313A33-N4T1U3 | 1            | L   | 3   |
| S-1313A34-N4T1U3 | 1            | L   | 4   |
| S-1313A35-N4T1U3 | 1            | L   | 5   |

## 2.2 S-1313 Series B type

| Product Name     | Product Code |     |     |
|------------------|--------------|-----|-----|
|                  | (1)          | (2) | (3) |
| S-1313B10-N4T1U3 | 1            | N   | A   |
| S-1313B11-N4T1U3 | 1            | N   | B   |
| S-1313B12-N4T1U3 | 1            | N   | C   |
| S-1313B13-N4T1U3 | 1            | N   | D   |
| S-1313B14-N4T1U3 | 1            | N   | E   |
| S-1313B15-N4T1U3 | 1            | N   | F   |
| S-1313B16-N4T1U3 | 1            | N   | G   |
| S-1313B17-N4T1U3 | 1            | N   | H   |
| S-1313B18-N4T1U3 | 1            | N   | J   |
| S-1313B1J-N4T1U3 | 1            | N   | K   |
| S-1313B19-N4T1U3 | 1            | N   | L   |
| S-1313B20-N4T1U3 | 1            | N   | N   |
| S-1313B21-N4T1U3 | 1            | N   | O   |
| S-1313B22-N4T1U3 | 1            | N   | P   |
| S-1313B23-N4T1U3 | 1            | N   | Q   |
| S-1313B24-N4T1U3 | 1            | N   | R   |
| S-1313B25-N4T1U3 | 1            | N   | S   |
| S-1313B26-N4T1U3 | 1            | N   | T   |
| S-1313B27-N4T1U3 | 1            | N   | U   |
| S-1313B28-N4T1U3 | 1            | N   | V   |
| S-1313B2J-N4T1U3 | 1            | N   | X   |
| S-1313B29-N4T1U3 | 1            | N   | Y   |
| S-1313B30-N4T1U3 | 1            | N   | Z   |
| S-1313B31-N4T1U3 | 1            | N   | 1   |
| S-1313B32-N4T1U3 | 1            | N   | 2   |
| S-1313B33-N4T1U3 | 1            | N   | 3   |
| S-1313B34-N4T1U3 | 1            | N   | 4   |
| S-1313B35-N4T1U3 | 1            | N   | 5   |

**2.3 S-1313 Series C type**

| Product Name     | Product Code |     |     |
|------------------|--------------|-----|-----|
|                  | (1)          | (2) | (3) |
| S-1313C10-N4T1U3 | 1            | O   | A   |
| S-1313C11-N4T1U3 | 1            | O   | B   |
| S-1313C12-N4T1U3 | 1            | O   | C   |
| S-1313C13-N4T1U3 | 1            | O   | D   |
| S-1313C14-N4T1U3 | 1            | O   | E   |
| S-1313C15-N4T1U3 | 1            | O   | F   |
| S-1313C16-N4T1U3 | 1            | O   | G   |
| S-1313C17-N4T1U3 | 1            | O   | H   |
| S-1313C18-N4T1U3 | 1            | O   | J   |
| S-1313C1J-N4T1U3 | 1            | O   | K   |
| S-1313C19-N4T1U3 | 1            | O   | L   |
| S-1313C20-N4T1U3 | 1            | O   | N   |
| S-1313C21-N4T1U3 | 1            | O   | O   |
| S-1313C22-N4T1U3 | 1            | O   | P   |
| S-1313C23-N4T1U3 | 1            | O   | Q   |
| S-1313C24-N4T1U3 | 1            | O   | R   |
| S-1313C25-N4T1U3 | 1            | O   | S   |
| S-1313C26-N4T1U3 | 1            | O   | T   |
| S-1313C27-N4T1U3 | 1            | O   | U   |
| S-1313C28-N4T1U3 | 1            | O   | V   |
| S-1313C2J-N4T1U3 | 1            | O   | X   |
| S-1313C29-N4T1U3 | 1            | O   | Y   |
| S-1313C30-N4T1U3 | 1            | O   | Z   |
| S-1313C31-N4T1U3 | 1            | O   | 1   |
| S-1313C32-N4T1U3 | 1            | O   | 2   |
| S-1313C33-N4T1U3 | 1            | O   | 3   |
| S-1313C34-N4T1U3 | 1            | O   | 4   |
| S-1313C35-N4T1U3 | 1            | O   | 5   |

**2.4 S-1313 Series D type**

| Product Name     | Product Code |     |     |
|------------------|--------------|-----|-----|
|                  | (1)          | (2) | (3) |
| S-1313D10-N4T1U3 | 1            | P   | A   |
| S-1313D11-N4T1U3 | 1            | P   | B   |
| S-1313D12-N4T1U3 | 1            | P   | C   |
| S-1313D13-N4T1U3 | 1            | P   | D   |
| S-1313D14-N4T1U3 | 1            | P   | E   |
| S-1313D15-N4T1U3 | 1            | P   | F   |
| S-1313D16-N4T1U3 | 1            | P   | G   |
| S-1313D17-N4T1U3 | 1            | P   | H   |
| S-1313D18-N4T1U3 | 1            | P   | J   |
| S-1313D1J-N4T1U3 | 1            | P   | K   |
| S-1313D19-N4T1U3 | 1            | P   | L   |
| S-1313D20-N4T1U3 | 1            | P   | N   |
| S-1313D21-N4T1U3 | 1            | P   | O   |
| S-1313D22-N4T1U3 | 1            | P   | P   |
| S-1313D23-N4T1U3 | 1            | P   | Q   |
| S-1313D24-N4T1U3 | 1            | P   | R   |
| S-1313D25-N4T1U3 | 1            | P   | S   |
| S-1313D26-N4T1U3 | 1            | P   | T   |
| S-1313D27-N4T1U3 | 1            | P   | U   |
| S-1313D28-N4T1U3 | 1            | P   | V   |
| S-1313D2J-N4T1U3 | 1            | P   | X   |
| S-1313D29-N4T1U3 | 1            | P   | Y   |
| S-1313D30-N4T1U3 | 1            | P   | Z   |
| S-1313D31-N4T1U3 | 1            | P   | 1   |
| S-1313D32-N4T1U3 | 1            | P   | 2   |
| S-1313D33-N4T1U3 | 1            | P   | 3   |
| S-1313D34-N4T1U3 | 1            | P   | 4   |
| S-1313D35-N4T1U3 | 1            | P   | 5   |

3. HSNT-4 (1010)



(1) to (3): Product code (Refer to **Product name vs. Product code**)  
(4), (5): Lot number

Product name vs. Product code

3.1 S-1313 Series A type

| Product Name     | Product Code |     |     |
|------------------|--------------|-----|-----|
|                  | (1)          | (2) | (3) |
| S-1313A10-A4T2U3 | 1            | L   | A   |
| S-1313A11-A4T2U3 | 1            | L   | B   |
| S-1313A12-A4T2U3 | 1            | L   | C   |
| S-1313A13-A4T2U3 | 1            | L   | D   |
| S-1313A14-A4T2U3 | 1            | L   | E   |
| S-1313A15-A4T2U3 | 1            | L   | F   |
| S-1313A16-A4T2U3 | 1            | L   | G   |
| S-1313A17-A4T2U3 | 1            | L   | H   |
| S-1313A18-A4T2U3 | 1            | L   | J   |
| S-1313A1J-A4T2U3 | 1            | L   | K   |
| S-1313A19-A4T2U3 | 1            | L   | L   |
| S-1313A20-A4T2U3 | 1            | L   | N   |
| S-1313A21-A4T2U3 | 1            | L   | O   |
| S-1313A22-A4T2U3 | 1            | L   | P   |
| S-1313A23-A4T2U3 | 1            | L   | Q   |
| S-1313A24-A4T2U3 | 1            | L   | R   |
| S-1313A25-A4T2U3 | 1            | L   | S   |
| S-1313A26-A4T2U3 | 1            | L   | T   |
| S-1313A27-A4T2U3 | 1            | L   | V   |
| S-1313A28-A4T2U3 | 1            | L   | U   |
| S-1313A2J-A4T2U3 | 1            | L   | X   |
| S-1313A29-A4T2U3 | 1            | L   | Y   |
| S-1313A30-A4T2U3 | 1            | L   | Z   |
| S-1313A31-A4T2U3 | 1            | L   | 1   |
| S-1313A32-A4T2U3 | 1            | L   | 2   |
| S-1313A33-A4T2U3 | 1            | L   | 3   |
| S-1313A34-A4T2U3 | 1            | L   | 4   |
| S-1313A35-A4T2U3 | 1            | L   | 5   |

3.2 S-1313 Series B type

| Product Name     | Product Code |     |     |
|------------------|--------------|-----|-----|
|                  | (1)          | (2) | (3) |
| S-1313B10-A4T2U3 | 1            | N   | A   |
| S-1313B11-A4T2U3 | 1            | N   | B   |
| S-1313B12-A4T2U3 | 1            | N   | C   |
| S-1313B13-A4T2U3 | 1            | N   | D   |
| S-1313B14-A4T2U3 | 1            | N   | E   |
| S-1313B15-A4T2U3 | 1            | N   | F   |
| S-1313B16-A4T2U3 | 1            | N   | G   |
| S-1313B17-A4T2U3 | 1            | N   | H   |
| S-1313B18-A4T2U3 | 1            | N   | J   |
| S-1313B1J-A4T2U3 | 1            | N   | K   |
| S-1313B19-A4T2U3 | 1            | N   | L   |
| S-1313B20-A4T2U3 | 1            | N   | N   |
| S-1313B21-A4T2U3 | 1            | N   | O   |
| S-1313B22-A4T2U3 | 1            | N   | P   |
| S-1313B23-A4T2U3 | 1            | N   | Q   |
| S-1313B24-A4T2U3 | 1            | N   | R   |
| S-1313B25-A4T2U3 | 1            | N   | S   |
| S-1313B26-A4T2U3 | 1            | N   | T   |
| S-1313B27-A4T2U3 | 1            | N   | U   |
| S-1313B28-A4T2U3 | 1            | N   | V   |
| S-1313B2J-A4T2U3 | 1            | N   | X   |
| S-1313B29-A4T2U3 | 1            | N   | Y   |
| S-1313B30-A4T2U3 | 1            | N   | Z   |
| S-1313B31-A4T2U3 | 1            | N   | 1   |
| S-1313B32-A4T2U3 | 1            | N   | 2   |
| S-1313B33-A4T2U3 | 1            | N   | 3   |
| S-1313B34-A4T2U3 | 1            | N   | 4   |
| S-1313B35-A4T2U3 | 1            | N   | 5   |

**3.3 S-1313 Series C type**

| Product Name     | Product Code |     |     |
|------------------|--------------|-----|-----|
|                  | (1)          | (2) | (3) |
| S-1313C10-A4T2U3 | 1            | O   | A   |
| S-1313C11-A4T2U3 | 1            | O   | B   |
| S-1313C12-A4T2U3 | 1            | O   | C   |
| S-1313C13-A4T2U3 | 1            | O   | D   |
| S-1313C14-A4T2U3 | 1            | O   | E   |
| S-1313C15-A4T2U3 | 1            | O   | F   |
| S-1313C16-A4T2U3 | 1            | O   | G   |
| S-1313C17-A4T2U3 | 1            | O   | H   |
| S-1313C18-A4T2U3 | 1            | O   | J   |
| S-1313C1J-A4T2U3 | 1            | O   | K   |
| S-1313C19-A4T2U3 | 1            | O   | L   |
| S-1313C20-A4T2U3 | 1            | O   | N   |
| S-1313C21-A4T2U3 | 1            | O   | O   |
| S-1313C22-A4T2U3 | 1            | O   | P   |
| S-1313C23-A4T2U3 | 1            | O   | Q   |
| S-1313C24-A4T2U3 | 1            | O   | R   |
| S-1313C25-A4T2U3 | 1            | O   | S   |
| S-1313C26-A4T2U3 | 1            | O   | T   |
| S-1313C27-A4T2U3 | 1            | O   | U   |
| S-1313C28-A4T2U3 | 1            | O   | V   |
| S-1313C2J-A4T2U3 | 1            | O   | X   |
| S-1313C29-A4T2U3 | 1            | O   | Y   |
| S-1313C30-A4T2U3 | 1            | O   | Z   |
| S-1313C31-A4T2U3 | 1            | O   | 1   |
| S-1313C32-A4T2U3 | 1            | O   | 2   |
| S-1313C33-A4T2U3 | 1            | O   | 3   |
| S-1313C34-A4T2U3 | 1            | O   | 4   |
| S-1313C35-A4T2U3 | 1            | O   | 5   |

**3.4 S-1313 Series D type**

| Product Name     | Product Code |     |     |
|------------------|--------------|-----|-----|
|                  | (1)          | (2) | (3) |
| S-1313D10-A4T2U3 | 1            | P   | A   |
| S-1313D11-A4T2U3 | 1            | P   | B   |
| S-1313D12-A4T2U3 | 1            | P   | C   |
| S-1313D13-A4T2U3 | 1            | P   | D   |
| S-1313D14-A4T2U3 | 1            | P   | E   |
| S-1313D15-A4T2U3 | 1            | P   | F   |
| S-1313D16-A4T2U3 | 1            | P   | G   |
| S-1313D17-A4T2U3 | 1            | P   | H   |
| S-1313D18-A4T2U3 | 1            | P   | J   |
| S-1313D1J-A4T2U3 | 1            | P   | K   |
| S-1313D19-A4T2U3 | 1            | P   | L   |
| S-1313D20-A4T2U3 | 1            | P   | N   |
| S-1313D21-A4T2U3 | 1            | P   | O   |
| S-1313D22-A4T2U3 | 1            | P   | P   |
| S-1313D23-A4T2U3 | 1            | P   | Q   |
| S-1313D24-A4T2U3 | 1            | P   | R   |
| S-1313D25-A4T2U3 | 1            | P   | S   |
| S-1313D26-A4T2U3 | 1            | P   | T   |
| S-1313D27-A4T2U3 | 1            | P   | U   |
| S-1313D28-A4T2U3 | 1            | P   | V   |
| S-1313D2J-A4T2U3 | 1            | P   | X   |
| S-1313D29-A4T2U3 | 1            | P   | Y   |
| S-1313D30-A4T2U3 | 1            | P   | Z   |
| S-1313D31-A4T2U3 | 1            | P   | 1   |
| S-1313D32-A4T2U3 | 1            | P   | 2   |
| S-1313D33-A4T2U3 | 1            | P   | 3   |
| S-1313D34-A4T2U3 | 1            | P   | 4   |
| S-1313D35-A4T2U3 | 1            | P   | 5   |

4. HSNT-4 (0808)



(1) to (3): Product code (Refer to **Product name vs. Product code**)

Product name vs. Product code

4.1 S-1313 Series A type

| Product Name     | Product Code |     |     |
|------------------|--------------|-----|-----|
|                  | (1)          | (2) | (3) |
| S-1313A10-A4T1U3 | 1            | L   | A   |
| S-1313A11-A4T1U3 | 1            | L   | B   |
| S-1313A12-A4T1U3 | 1            | L   | C   |
| S-1313A13-A4T1U3 | 1            | L   | D   |
| S-1313A14-A4T1U3 | 1            | L   | E   |
| S-1313A15-A4T1U3 | 1            | L   | F   |
| S-1313A16-A4T1U3 | 1            | L   | G   |
| S-1313A17-A4T1U3 | 1            | L   | H   |
| S-1313A18-A4T1U3 | 1            | L   | J   |
| S-1313A1J-A4T1U3 | 1            | L   | K   |
| S-1313A19-A4T1U3 | 1            | L   | L   |
| S-1313A20-A4T1U3 | 1            | L   | N   |
| S-1313A21-A4T1U3 | 1            | L   | O   |
| S-1313A22-A4T1U3 | 1            | L   | P   |
| S-1313A23-A4T1U3 | 1            | L   | Q   |
| S-1313A24-A4T1U3 | 1            | L   | R   |
| S-1313A25-A4T1U3 | 1            | L   | S   |
| S-1313A26-A4T1U3 | 1            | L   | T   |
| S-1313A27-A4T1U3 | 1            | L   | V   |
| S-1313A28-A4T1U3 | 1            | L   | U   |
| S-1313A2J-A4T1U3 | 1            | L   | X   |
| S-1313A29-A4T1U3 | 1            | L   | Y   |
| S-1313A30-A4T1U3 | 1            | L   | Z   |
| S-1313A31-A4T1U3 | 1            | L   | 1   |
| S-1313A32-A4T1U3 | 1            | L   | 2   |
| S-1313A33-A4T1U3 | 1            | L   | 3   |
| S-1313A34-A4T1U3 | 1            | L   | 4   |
| S-1313A35-A4T1U3 | 1            | L   | 5   |

4.2 S-1313 Series B type

| Product Name     | Product Code |     |     |
|------------------|--------------|-----|-----|
|                  | (1)          | (2) | (3) |
| S-1313B10-A4T1U3 | 1            | N   | A   |
| S-1313B11-A4T1U3 | 1            | N   | B   |
| S-1313B12-A4T1U3 | 1            | N   | C   |
| S-1313B13-A4T1U3 | 1            | N   | D   |
| S-1313B14-A4T1U3 | 1            | N   | E   |
| S-1313B15-A4T1U3 | 1            | N   | F   |
| S-1313B16-A4T1U3 | 1            | N   | G   |
| S-1313B17-A4T1U3 | 1            | N   | H   |
| S-1313B18-A4T1U3 | 1            | N   | J   |
| S-1313B1J-A4T1U3 | 1            | N   | K   |
| S-1313B19-A4T1U3 | 1            | N   | L   |
| S-1313B20-A4T1U3 | 1            | N   | N   |
| S-1313B21-A4T1U3 | 1            | N   | O   |
| S-1313B22-A4T1U3 | 1            | N   | P   |
| S-1313B23-A4T1U3 | 1            | N   | Q   |
| S-1313B24-A4T1U3 | 1            | N   | R   |
| S-1313B25-A4T1U3 | 1            | N   | S   |
| S-1313B26-A4T1U3 | 1            | N   | T   |
| S-1313B27-A4T1U3 | 1            | N   | U   |
| S-1313B28-A4T1U3 | 1            | N   | V   |
| S-1313B2J-A4T1U3 | 1            | N   | X   |
| S-1313B29-A4T1U3 | 1            | N   | Y   |
| S-1313B30-A4T1U3 | 1            | N   | Z   |
| S-1313B31-A4T1U3 | 1            | N   | 1   |
| S-1313B32-A4T1U3 | 1            | N   | 2   |
| S-1313B33-A4T1U3 | 1            | N   | 3   |
| S-1313B34-A4T1U3 | 1            | N   | 4   |
| S-1313B35-A4T1U3 | 1            | N   | 5   |

**4.3 S-1313 Series C type**

| Product Name     | Product Code |     |     |
|------------------|--------------|-----|-----|
|                  | (1)          | (2) | (3) |
| S-1313C10-A4T1U3 | 1            | O   | A   |
| S-1313C11-A4T1U3 | 1            | O   | B   |
| S-1313C12-A4T1U3 | 1            | O   | C   |
| S-1313C13-A4T1U3 | 1            | O   | D   |
| S-1313C14-A4T1U3 | 1            | O   | E   |
| S-1313C15-A4T1U3 | 1            | O   | F   |
| S-1313C16-A4T1U3 | 1            | O   | G   |
| S-1313C17-A4T1U3 | 1            | O   | H   |
| S-1313C18-A4T1U3 | 1            | O   | J   |
| S-1313C1J-A4T1U3 | 1            | O   | K   |
| S-1313C19-A4T1U3 | 1            | O   | L   |
| S-1313C20-A4T1U3 | 1            | O   | N   |
| S-1313C21-A4T1U3 | 1            | O   | O   |
| S-1313C22-A4T1U3 | 1            | O   | P   |
| S-1313C23-A4T1U3 | 1            | O   | Q   |
| S-1313C24-A4T1U3 | 1            | O   | R   |
| S-1313C25-A4T1U3 | 1            | O   | S   |
| S-1313C26-A4T1U3 | 1            | O   | T   |
| S-1313C27-A4T1U3 | 1            | O   | U   |
| S-1313C28-A4T1U3 | 1            | O   | V   |
| S-1313C2J-A4T1U3 | 1            | O   | X   |
| S-1313C29-A4T1U3 | 1            | O   | Y   |
| S-1313C30-A4T1U3 | 1            | O   | Z   |
| S-1313C31-A4T1U3 | 1            | O   | 1   |
| S-1313C32-A4T1U3 | 1            | O   | 2   |
| S-1313C33-A4T1U3 | 1            | O   | 3   |
| S-1313C34-A4T1U3 | 1            | O   | 4   |
| S-1313C35-A4T1U3 | 1            | O   | 5   |

**4.4 S-1313 Series D type**

| Product Name     | Product Code |     |     |
|------------------|--------------|-----|-----|
|                  | (1)          | (2) | (3) |
| S-1313D10-A4T1U3 | 1            | P   | A   |
| S-1313D11-A4T1U3 | 1            | P   | B   |
| S-1313D12-A4T1U3 | 1            | P   | C   |
| S-1313D13-A4T1U3 | 1            | P   | D   |
| S-1313D14-A4T1U3 | 1            | P   | E   |
| S-1313D15-A4T1U3 | 1            | P   | F   |
| S-1313D16-A4T1U3 | 1            | P   | G   |
| S-1313D17-A4T1U3 | 1            | P   | H   |
| S-1313D18-A4T1U3 | 1            | P   | J   |
| S-1313D1J-A4T1U3 | 1            | P   | K   |
| S-1313D19-A4T1U3 | 1            | P   | L   |
| S-1313D20-A4T1U3 | 1            | P   | N   |
| S-1313D21-A4T1U3 | 1            | P   | O   |
| S-1313D22-A4T1U3 | 1            | P   | P   |
| S-1313D23-A4T1U3 | 1            | P   | Q   |
| S-1313D24-A4T1U3 | 1            | P   | R   |
| S-1313D25-A4T1U3 | 1            | P   | S   |
| S-1313D26-A4T1U3 | 1            | P   | T   |
| S-1313D27-A4T1U3 | 1            | P   | U   |
| S-1313D28-A4T1U3 | 1            | P   | V   |
| S-1313D2J-A4T1U3 | 1            | P   | X   |
| S-1313D29-A4T1U3 | 1            | P   | Y   |
| S-1313D30-A4T1U3 | 1            | P   | Z   |
| S-1313D31-A4T1U3 | 1            | P   | 1   |
| S-1313D32-A4T1U3 | 1            | P   | 2   |
| S-1313D33-A4T1U3 | 1            | P   | 3   |
| S-1313D34-A4T1U3 | 1            | P   | 4   |
| S-1313D35-A4T1U3 | 1            | P   | 5   |





No. MP005-A-P-SD-1.3

|                   |                         |
|-------------------|-------------------------|
| TITLE             | SOT235-A-PKG Dimensions |
| No.               | MP005-A-P-SD-1.3        |
| ANGLE             |                         |
| UNIT              | mm                      |
| <b>ABLIC Inc.</b> |                         |



Feed direction →

No. MP005-A-C-SD-2.1

|                   |                       |
|-------------------|-----------------------|
| TITLE             | SOT235-A-Carrier Tape |
| No.               | MP005-A-C-SD-2.1      |
| ANGLE             |                       |
| UNIT              | mm                    |
| <b>ABLIC Inc.</b> |                       |



Enlarged drawing in the central part



No. MP005-A-R-SD-1.1

|                   |                  |      |       |
|-------------------|------------------|------|-------|
| TITLE             | SOT235-A-Reel    |      |       |
| No.               | MP005-A-R-SD-1.1 |      |       |
| ANGLE             |                  | QTY. | 3,000 |
| UNIT              | mm               |      |       |
|                   |                  |      |       |
| <b>ABLIC Inc.</b> |                  |      |       |



No. NP004-A-P-SD-2.0

|                   |                         |
|-------------------|-------------------------|
| TITLE             | SC82AB-A-PKG Dimensions |
| No.               | NP004-A-P-SD-2.0        |
| ANGLE             |                         |
| UNIT              | mm                      |
| <b>ABLIC Inc.</b> |                         |



No. NP004-A-C-SD-3.0

|                   |                       |
|-------------------|-----------------------|
| TITLE             | SC82AB-A-Carrier Tape |
| No.               | NP004-A-C-SD-3.0      |
| ANGLE             |                       |
| UNIT              | mm                    |
| <b>ABLIC Inc.</b> |                       |

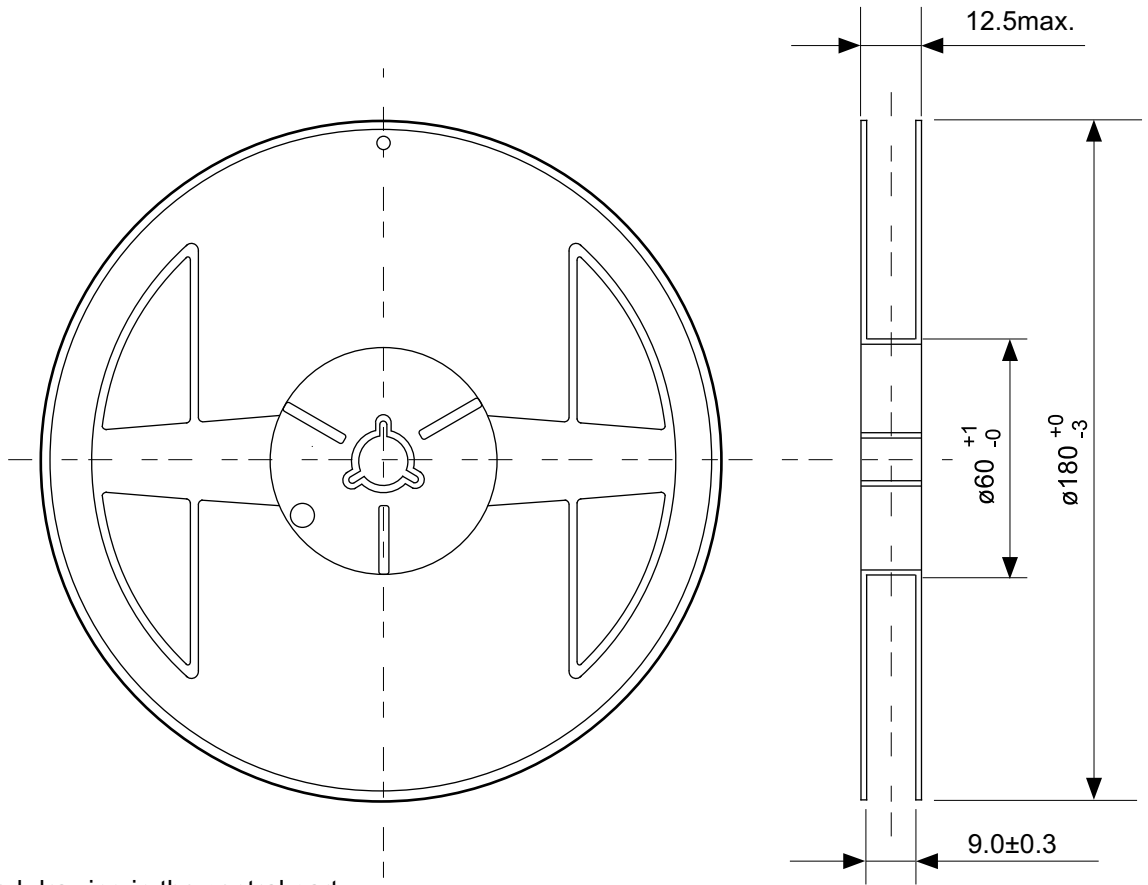


→  
Feed direction

No. NP004-A-C-S1-2.0

|       |                       |
|-------|-----------------------|
| TITLE | SC82AB-A-Carrier Tape |
| No.   | NP004-A-C-S1-2.0      |
| ANGLE |                       |
| UNIT  | mm                    |
|       |                       |

**ABLIC Inc.**



Enlarged drawing in the central part



No. NP004-A-R-SD-1.1

|                   |                  |      |       |
|-------------------|------------------|------|-------|
| TITLE             | SC82AB-A-Reel    |      |       |
| No.               | NP004-A-R-SD-1.1 |      |       |
| ANGLE             |                  | QTY. | 3,000 |
| UNIT              | mm               |      |       |
|                   |                  |      |       |
| <b>ABLIC Inc.</b> |                  |      |       |



※ The heat sink of back side has different electric potential depending on the product.  
 Confirm specifications of each product.  
 Do not use it as the function of electrode.

No. PL004-A-P-SD-1.1

|                   |                         |
|-------------------|-------------------------|
| TITLE             | HSNT-4-B-PKG Dimensions |
| No.               | PL004-A-P-SD-1.1        |
| ANGLE             |                         |
| UNIT              | mm                      |
|                   |                         |
| <b>ABLIC Inc.</b> |                         |





→  
Feed direction

No. PL004-A-C-SD-2.0

|                   |                       |
|-------------------|-----------------------|
| TITLE             | HSNT-4-B-Carrier Tape |
| No.               | PL004-A-C-SD-2.0      |
| ANGLE             |                       |
| UNIT              | mm                    |
| <b>ABLIC Inc.</b> |                       |



Enlarged drawing in the central part



No. PL004-A-R-SD-1.0

|                   |                  |      |        |
|-------------------|------------------|------|--------|
| TITLE             | HSNT-4-B-Reel    |      |        |
| No.               | PL004-A-R-SD-1.0 |      |        |
| ANGLE             |                  | QTY. | 10,000 |
| UNIT              | mm               |      |        |
|                   |                  |      |        |
| <b>ABLIC Inc.</b> |                  |      |        |

## Land Pattern



Caution It is recommended to solder the heat sink to a board in order to ensure the heat radiation.

注意 放熱性を確保する為に、PKGの裏面放熱板(ヒートシンク)を基板に半田付けする事を推奨いたします。

## Metal Mask Pattern



- Caution
- ① Mask aperture ratio of the lead mounting part is 100%.
  - ② Mask aperture ratio of the heat sink mounting part is 40%.
  - ③ Mask thickness: t0.10mm to 0.12 mm

- 注意
- ①リード実装部のマスク開口率は100%です。
  - ②放熱板実装のマスク開口率は40%です。
  - ③マスク厚み : t0.10mm ~ 0.12 mm

No. PL004-A-L-SD-2.0

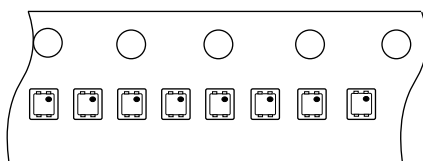
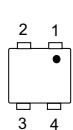
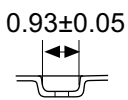
|                   |                                  |
|-------------------|----------------------------------|
| TITLE             | HSNT-4-B<br>-Land Recommendation |
| No.               | PL004-A-L-SD-2.0                 |
| ANGLE             |                                  |
| UNIT              | mm                               |
| <b>ABLIC Inc.</b> |                                  |



※ The heat sink of back side has different electric potential depending on the product. Confirm specifications of each product. Do not use it as the function of electrode.

No. PK004-A-P-SD-2.1

|                   |                         |
|-------------------|-------------------------|
| TITLE             | HSNT-4-A-PKG Dimensions |
| No.               | PK004-A-P-SD-2.1        |
| ANGLE             |                         |
| UNIT              | mm                      |
|                   |                         |
| <b>ABLIC Inc.</b> |                         |



→  
Feed direction

No. PK004-A-C-SD-3.0

|                   |                       |
|-------------------|-----------------------|
| TITLE             | HSNT-4-A-Carrier Tape |
| No.               | PK004-A-C-SD-3.0      |
| ANGLE             |                       |
| UNIT              | mm                    |
| <b>ABLIC Inc.</b> |                       |



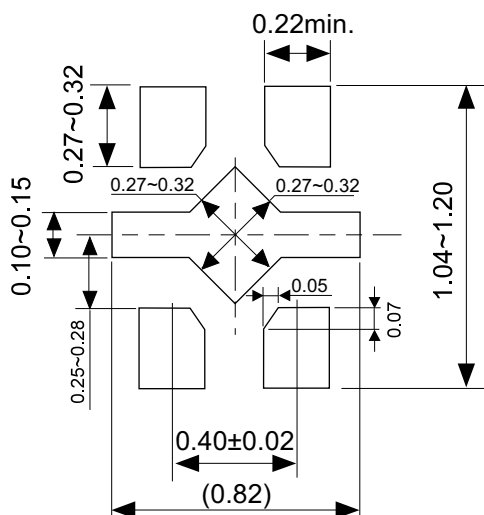
Enlarged drawing in the central part



No. PK004-A-R-SD-2.0

|                   |                  |      |        |
|-------------------|------------------|------|--------|
| TITLE             | HSNT-4-A-Reel    |      |        |
| No.               | PK004-A-R-SD-2.0 |      |        |
| ANGLE             |                  | QTY. | 10,000 |
| UNIT              | mm               |      |        |
|                   |                  |      |        |
| <b>ABLIC Inc.</b> |                  |      |        |

## Land Pattern



Caution It is recommended to solder the heat sink to a board in order to ensure the heat radiation.

注意 放熱性を確保する為に、PKGの裏面放熱板(ヒートシンク)を基板に半田付けする事を推奨いたします。

## Metal Mask Pattern



Caution ① Mask aperture ratio of the lead mounting part is 100%.  
 ② Mask aperture ratio of the heat sink mounting part is 40%.  
 ③ Mask thickness: t0.10mm to 0.12 mm

注意 ①リード実装部のマスク開口率は100%です。  
 ②放熱板実装のマスク開口率は40%です。  
 ③マスク厚み : t0.10mm ~ 0.12 mm

No. PK004-A-L-SD-3.0

|                   |                                  |
|-------------------|----------------------------------|
| TITLE             | HSNT-4-A<br>-Land Recommendation |
| No.               | PK004-A-L-SD-3.0                 |
| ANGLE             |                                  |
| UNIT              | mm                               |
| <b>ABLIC Inc.</b> |                                  |

## Disclaimers (Handling Precautions)

1. All the information described herein (product data, specifications, figures, tables, programs, algorithms and application circuit examples, etc.) is current as of publishing date of this document and is subject to change without notice.
2. The circuit examples and the usages described herein are for reference only, and do not guarantee the success of any specific mass-production design.  
ABLIC Inc. is not liable for any losses, damages, claims or demands caused by the reasons other than the products described herein (hereinafter "the products") or infringement of third-party intellectual property right and any other right due to the use of the information described herein.
3. ABLIC Inc. is not liable for any losses, damages, claims or demands caused by the incorrect information described herein.
4. Be careful to use the products within their ranges described herein. Pay special attention for use to the absolute maximum ratings, operation voltage range and electrical characteristics, etc.  
ABLIC Inc. is not liable for any losses, damages, claims or demands caused by failures and / or accidents, etc. due to the use of the products outside their specified ranges.
5. Before using the products, confirm their applications, and the laws and regulations of the region or country where they are used and verify suitability, safety and other factors for the intended use.
6. When exporting the products, comply with the Foreign Exchange and Foreign Trade Act and all other export-related laws, and follow the required procedures.
7. The products are strictly prohibited from using, providing or exporting for the purposes of the development of weapons of mass destruction or military use. ABLIC Inc. is not liable for any losses, damages, claims or demands caused by any provision or export to the person or entity who intends to develop, manufacture, use or store nuclear, biological or chemical weapons or missiles, or use any other military purposes.
8. The products are not designed to be used as part of any device or equipment that may affect the human body, human life, or assets (such as medical equipment, disaster prevention systems, security systems, combustion control systems, infrastructure control systems, vehicle equipment, traffic systems, in-vehicle equipment, aviation equipment, aerospace equipment, and nuclear-related equipment), excluding when specified for in-vehicle use or other uses by ABLIC, Inc. Do not apply the products to the above listed devices and equipments.  
ABLIC Inc. is not liable for any losses, damages, claims or demands caused by unauthorized or unspecified use of the products.
9. In general, semiconductor products may fail or malfunction with some probability. The user of the products should therefore take responsibility to give thorough consideration to safety design including redundancy, fire spread prevention measures, and malfunction prevention to prevent accidents causing injury or death, fires and social damage, etc. that may ensue from the products' failure or malfunction.  
The entire system in which the products are used must be sufficiently evaluated and judged whether the products are allowed to apply for the system on customer's own responsibility.
10. The products are not designed to be radiation-proof. The necessary radiation measures should be taken in the product design by the customer depending on the intended use.
11. The products do not affect human health under normal use. However, they contain chemical substances and heavy metals and should therefore not be put in the mouth. The fracture surfaces of wafers and chips may be sharp. Be careful when handling these with the bare hands to prevent injuries, etc.
12. When disposing of the products, comply with the laws and ordinances of the country or region where they are used.
13. The information described herein contains copyright information and know-how of ABLIC Inc. The information described herein does not convey any license under any intellectual property rights or any other rights belonging to ABLIC Inc. or a third party. Reproduction or copying of the information from this document or any part of this document described herein for the purpose of disclosing it to a third-party is strictly prohibited without the express permission of ABLIC Inc.
14. For more details on the information described herein or any other questions, please contact ABLIC Inc.'s sales representative.
15. This Disclaimers have been delivered in a text using the Japanese language, which text, despite any translations into the English language and the Chinese language, shall be controlling.

2.4-2019.07



# Mouser Electronics

Authorized Distributor

Click to View Pricing, Inventory, Delivery & Lifecycle Information:

## ABLIC:

[S-1313A33-N4T1U3](#) [S-1313D18-N4T1U3](#) [S-1313D18-A4T1U3](#) [S-1313D25-M5T1U3](#) [S-1313D23-A4T1U3](#) [S-1313D21-N4T1U3](#) [S-1313D23-M5T1U3](#) [S-1313D2J-A4T1U3](#) [S-1313D1J-A4T1U3](#) [S-1313D20-A4T1U3](#) [S-1313D13-N4T1U3](#) [S-1313D14-N4T1U3](#) [S-1313C28-N4T1U3](#) [S-1313C2J-M5T1U3](#) [S-1313D12-A4T1U3](#) [S-1313D14-A4T1U3](#) [S-1313D17-M5T1U3](#) [S-1313D11-M5T1U3](#) [S-1313C21-N4T1U3](#) [S-1313C19-A4T1U3](#) [S-1313C25-N4T1U3](#) [S-1313C28-A4T1U3](#) [S-1313C22-A4T1U3](#) [S-1313C22-N4T1U3](#) [S-1313C19-N4T1U3](#) [S-1313C2J-N4T1U3](#) [S-1313C35-N4T1U3](#) [S-1313D13-A4T1U3](#) [S-1313B21-A4T1U3](#) [S-1313B22-N4T1U3](#) [S-1313C17-A4T1U3](#) [S-1313B18-M5T1U3](#) [S-1313B22-M5T1U3](#) [S-1313C18-A4T1U3](#) [S-1313C20-N4T1U3](#) [S-1313C23-A4T1U3](#) [S-1313C30-N4T1U3](#) [S-1313C35-A4T1U3](#) [S-1313C35-M5T1U3](#) [S-1313B26-M5T1U3](#) [S-1313B27-N4T1U3](#) [S-1313C15-N4T1U3](#) [S-1313A33-A4T1U3](#) [S-1313C20-M5T1U3](#) [S-1313C29-A4T1U3](#) [S-1313C30-M5T1U3](#) [S-1313C32-N4T1U3](#) [S-1313C27-A4T1U3](#) [S-1313C11-M5T1U3](#) [S-1313C12-M5T1U3](#) [S-1313B13-N4T1U3](#) [S-1313B15-M5T1U3](#) [S-1313B16-M5T1U3](#) [S-1313A28-M5T1U3](#) [S-1313B28-A4T1U3](#) [S-1313B30-M5T1U3](#) [S-1313C16-N4T1U3](#) [S-1313C12-A4T1U3](#) [S-1313C13-A4T1U3](#) [S-1313B23-N4T1U3](#) [S-1313A27-M5T1U3](#) [S-1313B20-N4T1U3](#) [S-1313B22-A4T1U3](#) [S-1313C27-M5T1U3](#) [S-1313C34-M5T1U3](#) [S-1313C34-N4T1U3](#) [S-1313D14-M5T1U3](#) [S-1313B11-A4T1U3](#) [S-1313A27-N4T1U3](#) [S-1313B10-M5T1U3](#) [S-1313B18-A4T1U3](#) [S-1313A34-M5T1U3](#) [S-1313D15-A4T1U3](#) [S-1313C16-A4T1U3](#) [S-1313C19-M5T1U3](#) [S-1313C18-N4T1U3](#) [S-1313C33-N4T1U3](#) [S-1313D17-A4T1U3](#) [S-1313C15-A4T1U3](#) [S-1313C24-M5T1U3](#) [S-1313C11-N4T1U3](#) [S-1313C26-A4T1U3](#) [S-1313C32-A4T1U3](#) [S-1313D12-M5T1U3](#) [S-1313A23-M5T1U3](#) [S-1313A25-M5T1U3](#) [S-1313A21-A4T1U3](#) [S-1313A21-M5T1U3](#) [S-1313A2J-M5T1U3](#) [S-1313A34-N4T1U3](#) [S-1313D16-M5T1U3](#) [S-1313D10-N4T1U3](#) [S-1313D15-M5T1U3](#) [S-1313D13-M5T1U3](#) [S-1313A20-A4T1U3](#) [S-1313A22-A4T1U3](#) [S-1313C14-A4T1U3](#) [S-1313C26-M5T1U3](#) [S-1313C29-M5T1U3](#) [S-1313C31-N4T1U3](#)



Компания «ЭлектроПласт» предлагает заключение долгосрочных отношений при поставках импортных электронных компонентов на взаимовыгодных условиях!

Наши преимущества:

- Оперативные поставки широкого спектра электронных компонентов отечественного и импортного производства напрямую от производителей и с крупнейших мировых складов;
- Поставка более 17-ти миллионов наименований электронных компонентов;
- Поставка сложных, дефицитных, либо снятых с производства позиций;
- Оперативные сроки поставки под заказ (от 5 рабочих дней);
- Экспресс доставка в любую точку России;
- Техническая поддержка проекта, помощь в подборе аналогов, поставка прототипов;
- Система менеджмента качества сертифицирована по Международному стандарту ISO 9001;
- Лицензия ФСБ на осуществление работ с использованием сведений, составляющих государственную тайну;
- Поставка специализированных компонентов (Xilinx, Altera, Analog Devices, Intersil, Interpoint, Microsemi, Aeroflex, Peregrine, Syfer, Eurofarad, Texas Instrument, Miteq, Cobham, E2V, MA-COM, Hittite, Mini-Circuits, General Dynamics и др.);

Помимо этого, одним из направлений компании «ЭлектроПласт» является направление «Источники питания». Мы предлагаем Вам помощь Конструкторского отдела:

- Подбор оптимального решения, техническое обоснование при выборе компонента;
- Подбор аналогов;
- Консультации по применению компонента;
- Поставка образцов и прототипов;
- Техническая поддержка проекта;
- Защита от снятия компонента с производства.



#### Как с нами связаться

**Телефон:** 8 (812) 309 58 32 (многоканальный)

**Факс:** 8 (812) 320-02-42

**Электронная почта:** [org@eplast1.ru](mailto:org@eplast1.ru)

**Адрес:** 198099, г. Санкт-Петербург, ул. Калинина, дом 2, корпус 4, литера А.