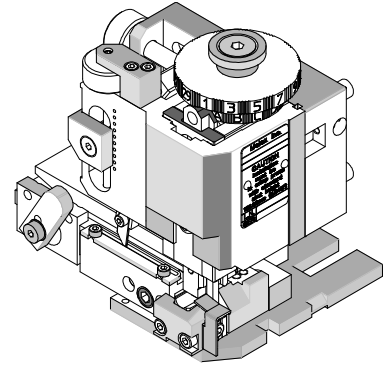




FineAdjust Applicator Specification Sheet Order No. 63862-9200



FEATURES

- Quick punch removal with the push of a button for fast and easy tooling change
- Applicator designed to industry standard mounting and shut height 135.80mm (5.346")
- Quick set-up time; plus the crimp height, track and feed adjustments can be set without removing the applicator from the press
- Fine adjustment allows users to achieve target with little effort by adjusting in increments of 0.15mm (.0006") for conductor crimp height and .063mm (.0025") for insulation height
- Independent adjustment rings allow users to quickly adjust the conductor or insulation crimp height without affecting each other
- Directly adapts to most automatic wire processing machines

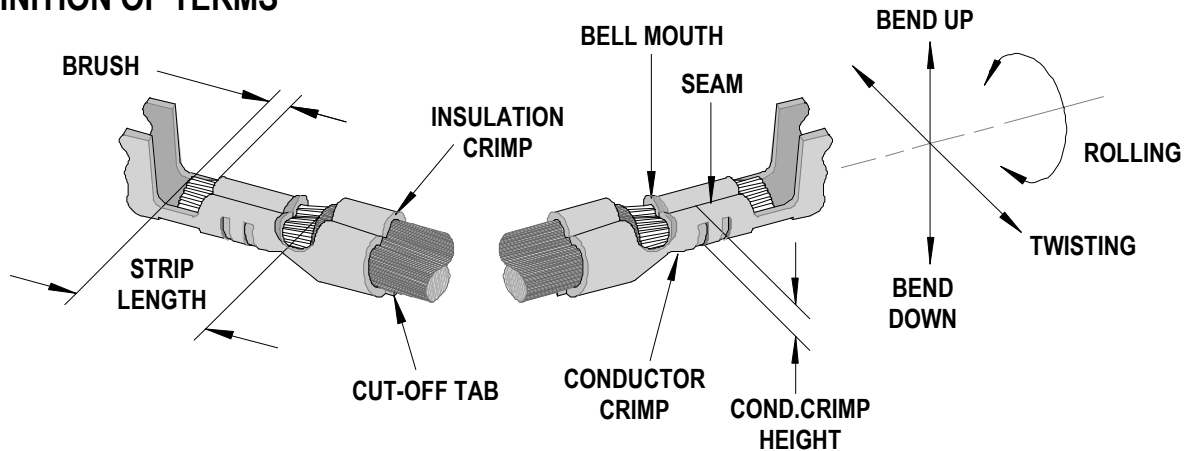
SCOPE

Products: 1.80mm (.070") Board-In Terminal for 18 (2), 20 (2) AWG.

| Terminal Series No. | Terminal Order No. | Wire Size | | Insulation Diameter | | | | Strip Length | |
|---------------------|--------------------|---------------|-------------------|---------------------|-----------|---------------------|----------|--------------|-----------|
| | | | | IPC/WHMA-A620 ♦ | | Terminal Maximum ♦♦ | | | |
| | | AWG | mm ² | mm | In. | mm | In. | mm | In. |
| 35745 | 35745-0310 | 18 (2)-20 (2) | 0.80 (2)-0.50 (2) | 2.50-2.80 | .098-.110 | 2.80 (2) | .110 (2) | 4.00-4.80 | .157-.189 |
| 35746 | 35746-0310 | 18 (2)-20 (2) | 0.80 (2)-0.50 (2) | 2.50-2.80 | .098-.110 | 2.80 (2) | .110 (2) | 4.00-4.80 | .157-.189 |
| 35747 | 35747-0310 | 18 (2)-20 (2) | 0.80 (2)-0.50 (2) | 2.50-2.80 | .098-.110 | 2.80 (2) | .110 (2) | 4.00-4.80 | .157-.189 |
| 35748 | 35748-0310 | 18 (2)-20 (2) | 0.80 (2)-0.50 (2) | 2.50-2.80 | .098-.110 | 2.80 (2) | .110 (2) | 4.00-4.80 | .157-.189 |

♦ To achieve optimum IPC-A620 insulation crimps, use this insulation OD range.
♦♦ Overall insulation OD specification for terminal.

DEFINITION OF TERMS



The above terminal drawing is a generic terminal representation. It is not an image of a terminal listed in the scope.

CRIMP SPECIFICATION

| Terminal Series No. | Bell mouth | | Cut-off Tab Maximum | | Conductor Brush | |
|---------------------|------------|-----------|---------------------|------|-----------------|-----------|
| | mm | In. | mm | In. | mm | In. |
| 35745 | 0.20-0.50 | .008-.020 | 0.30 | .012 | 0.30-0.80 | .012-.032 |
| 35746 | 0.20-0.50 | .008-.020 | 0.30 | .012 | 0.30-0.80 | .012-.032 |
| 35747 | 0.20-0.50 | .008-.020 | 0.30 | .012 | 0.30-0.80 | .012-.032 |
| 35748 | 0.20-0.50 | .008-.020 | 0.30 | .012 | 0.30-0.80 | .012-.032 |

| Terminal Series No. | Bend up | Bend down | Twist | Roll | Punch Width (Ref) | | | | Seam |
|---------------------|---------|-----------|-------|------|-------------------|------|------------|------|---|
| | | | | | Conductor | | Insulation | | |
| | mm | In | mm | In | | | | | |
| 35745 | 3 | 3 | 3 | 5 | 3.00 | .118 | 5.30 | .209 | Seam shall not be open and no wire allowed out of the crimping area |
| 35746 | 3 | 3 | 3 | 5 | 3.00 | .118 | 5.30 | .209 | |
| 35747 | 3 | 3 | 3 | 5 | 3.00 | .118 | 5.30 | .209 | |
| 35748 | 3 | 3 | 3 | 5 | 3.00 | .118 | 5.30 | .209 | |

After crimping, the conductor profile should measure the following.

| Terminal Series No. | Wire Size | | Conductor | | | | Pull Force Minimum | |
|---------------------|-----------|-----------------|--------------|-----------|--------------------|-----------|--------------------|------|
| | | | Crimp Height | | Crimp Width (Ref.) | | | |
| | AWG | mm ² | mm | In. | mm | In. | N | Lb. |
| 35745 | 18 (2) | 0.80 (2) | 1.45-1.55 | .057-.061 | 2.90-3.10 | .114-.122 | 97.9 | 22.0 |
| | 20 (2) | 0.50 (2) | 1.35-1.45 | .053-.057 | 2.90-3.10 | .114-.122 | 58.7 | 13.2 |
| 35746 | 18 (2) | 0.80 (2) | 1.45-1.55 | .057-.061 | 2.90-3.10 | .114-.122 | 97.9 | 22.0 |
| | 20 (2) | 0.50 (2) | 1.35-1.45 | .053-.057 | 2.90-3.10 | .114-.122 | 58.7 | 13.2 |
| 35747 | 18 (2) | 0.80 (2) | 1.45-1.55 | .057-.061 | 2.90-3.10 | .114-.122 | 97.9 | 22.0 |
| | 20 (2) | 0.50 (2) | 1.35-1.45 | .053-.057 | 2.90-3.10 | .114-.122 | 58.7 | 13.2 |
| 35748 | 18 (2) | 0.80 (2) | 1.45-1.55 | .057-.061 | 2.90-3.10 | .114-.122 | 97.9 | 22.0 |
| | 20 (2) | 0.50 (2) | 1.35-1.45 | .053-.057 | 2.90-3.10 | .114-.122 | 58.7 | 13.2 |

Pull Force should be measured with no influence from the insulation crimp.
The above specifications are guidelines to an optimum crimp.

PARTS LIST

| FineAdjust Applicator 63862-9200 | | | | |
|--|-----------------|------------------------|------------------------------------|-----------------|
| Item | Order No | Engineering No. | Description | Quantity |
| Perishable Tooling | | | | |
| | 63862-9270 | 63862-9270 | Tool Kit (All "Y" Items) | REF |
| 1 | 63444-3012 | 63444-3012 | Conductor Punch | 1 Y |
| 2 | 63445-3068 | 63445-3068 | Conductor Anvil | 1 Y |
| 3 | 63446-5309 | 63446-5309 | Insulation Punch | 1 Y |
| 4 | 63445-5306 | 63445-5306 | Insulation Anvil | 1 Y |
| 5 | 63443-0002 | 63443-0002 | Cut-Off Plunger | 1 Y |
| 6 | 63443-0012 | 63443-0012 | Front Plunger Retainer | 1 Y |
| Other Components (REF 629050) | | | | |
| 7 | 11-18-4083 | 60707-8 | Front Cover | 1 |
| 8 | 11-24-1067 | 4996-4 | Cut-off Plunger Spring | 1 |
| 9 | 63443-0009 | 63443-0009 | Scrap Chute Front | 1 |
| 10 | 63443-0021 | 63443-0021 | Lower Tooling Key | 1 |
| 11 | 63443-2415 | 63443-2415 | Anvil Mount | 1 |
| 12 | 63443-3160 | 63443-3160 | Front Plunger Striker | 1 |
| 13 | 63443-4006 | 63443-4006 | Wire Stop | 1 |
| 14 | 63443-6011 | 63443-6011 | Rear Cover | 1 |
| Frame | | | | |
| 15 | 63800-4901 | 63800-4901 | Top | 1 |
| 16 | 63801-3281 | 63801-3281 | Base | 1 |
| 17 | 63801-4650 | 63801-4650 | Track | 1 |
| Hardware | | | | |
| 18 | N/A | N/A | M3 by 6 Long SHCS | 2** |
| 19 | N/A | N/A | M4 by 6 Long SHCS | 1** |
| 20 | N/A | N/A | M4 by 12 Long BHCS | 2** |
| 21 | N/A | N/A | M4 by 16 Long SHCS | 1** |
| 22 | N/A | N/A | M4 by 20 Long SHCS | 1** |
| 23 | N/A | N/A | M4 by 50 Long SHCS | 1** |
| 24 | N/A | N/A | 3mm by 6 Long Roll Pin | 1** |
| 25 | N/A | N/A | #10-32 by 3/8" Long Flat Point SSS | 1** |
| 26 | N/A | N/A | #10-32 Hex Jam Nut | 1** |
| ** Available from an industrial supply company such as MSC (1-800-645-7270). | | | | |

Assembly Drawing

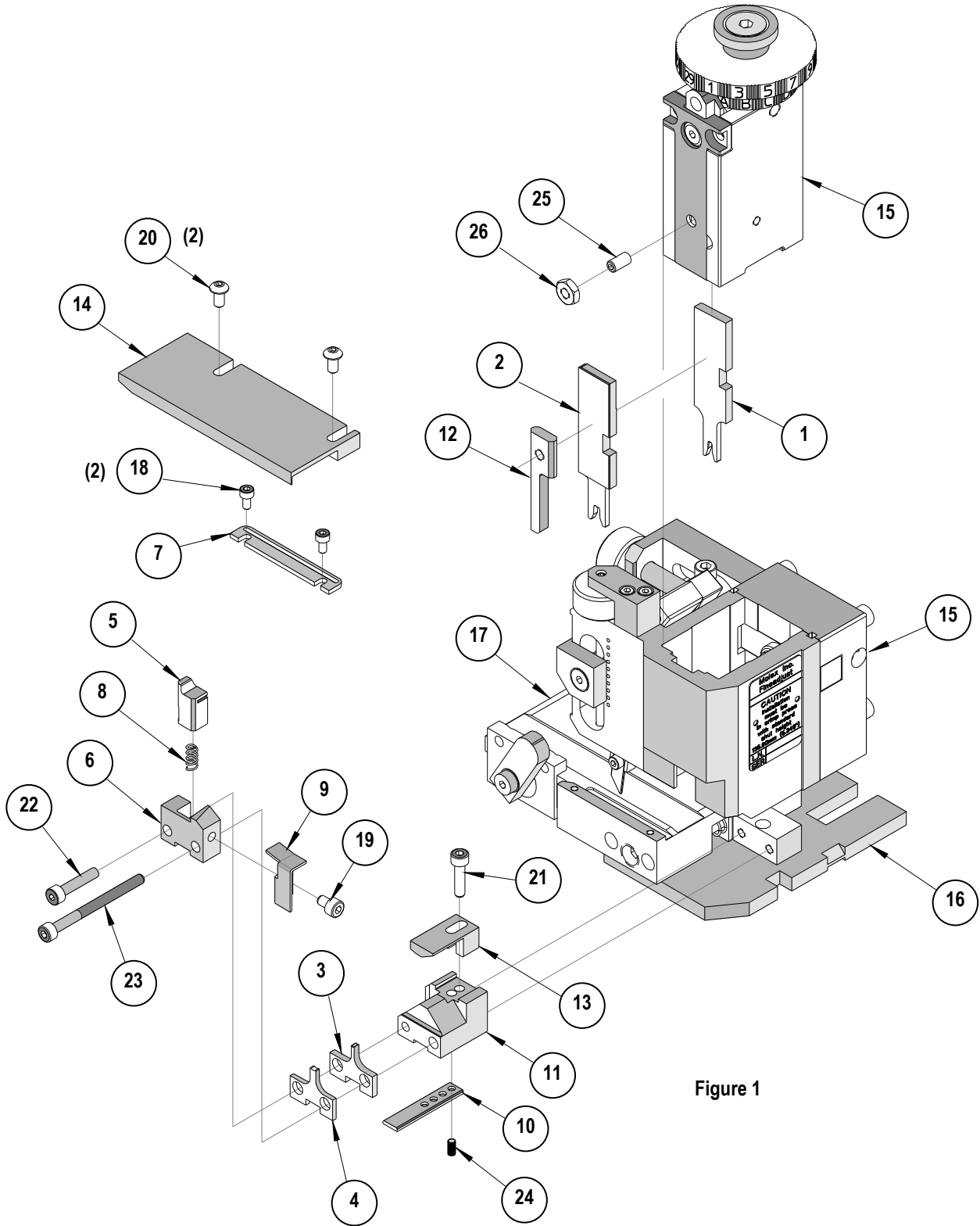


Figure 1

NOTES

1. Molex recommends an extra perishable tooling kit be maintained at your facility.
2. Verify tooling alignment by manually cycling the press and Applicator before crimping under power. Check that all screws are tight.
3. Slugs, Terminals, Dirt and Oil should be kept clear of work area.
4. Wear safety glasses at all times.
5. For recommended maintenance refer to the FineAdjust Manual.

CAUTION: This applicator should only be used in a press with a shut height of 135.8 mm (5.346"). Tooling damage could result at a lower setting.

CAUTION: To prevent injury never operate this Applicator without the guards supplied with the press or wire-processing machine in place. Reference the press or wire processing manufacturer's instruction manual.

CAUTION: Molex crimp specifications are valid only when used with Molex terminals, applicators and tooling.

Americas Headquarters
Lisle, Illinois 60532 U.S.A.
1-800-78MOLEX
amerinfo@molex.com

Far East North Headquarters
Yamato, Kanagawa, Japan
81-462-65-2324
feninfo@molex.com

Far East South Headquarters
Jurong, Singapore
65-6-268-6868
fesinfo@molex.com

European Headquarters
Munich, Germany
49-89-413092-0
eurinfo@molex.com

Corporate Headquarters
2222 Wellington Ct.
Lisle, IL 60532 U.S.A.
630-969-4550
Fax: 630-969-1352

Visit our Web site at <http://www.molex.com>



Компания «ЭлектроПласт» предлагает заключение долгосрочных отношений при поставках импортных электронных компонентов на взаимовыгодных условиях!

Наши преимущества:

- Оперативные поставки широкого спектра электронных компонентов отечественного и импортного производства напрямую от производителей и с крупнейших мировых складов;
- Поставка более 17-ти миллионов наименований электронных компонентов;
- Поставка сложных, дефицитных, либо снятых с производства позиций;
- Оперативные сроки поставки под заказ (от 5 рабочих дней);
- Экспресс доставка в любую точку России;
- Техническая поддержка проекта, помощь в подборе аналогов, поставка прототипов;
- Система менеджмента качества сертифицирована по Международному стандарту ISO 9001;
- Лицензия ФСБ на осуществление работ с использованием сведений, составляющих государственную тайну;
- Поставка специализированных компонентов (Xilinx, Altera, Analog Devices, Intersil, Interpoint, Microsemi, Aeroflex, Peregrine, Syfer, Eurofarad, Texas Instrument, Miteq, Cobham, E2V, MA-COM, Hittite, Mini-Circuits, General Dynamics и др.);

Помимо этого, одним из направлений компании «ЭлектроПласт» является направление «Источники питания». Мы предлагаем Вам помощь Конструкторского отдела:

- Подбор оптимального решения, техническое обоснование при выборе компонента;
- Подбор аналогов;
- Консультации по применению компонента;
- Поставка образцов и прототипов;
- Техническая поддержка проекта;
- Защита от снятия компонента с производства.



Как с нами связаться

Телефон: 8 (812) 309 58 32 (многоканальный)

Факс: 8 (812) 320-02-42

Электронная почта: org@eplast1.ru

Адрес: 198099, г. Санкт-Петербург, ул. Калинина, дом 2, корпус 4, литера А.