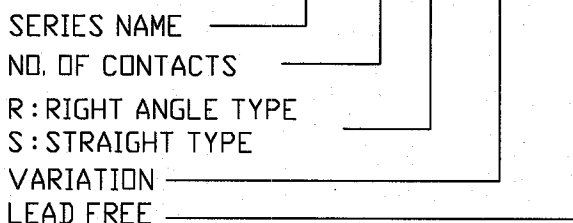


CAT. NO. & DIMENSIONS

REVISIONS				
REV	DESCRIPTION	ECN	BY	DATE
A	Released	J05-0079	H.T	05/2/18

NO. OF CONTACTS (n)	CAT. NO.		DIMENSIONS (NOTE1)	
	RIGHT ANGLE TYPE	STRAIGHT TYPE	A ± 0.3	B ± 0.3
4	SLW4R-1C7LF	SLW4S-1C7LF	10.2	5.2
5	SLW5R-1C7LF	SLW5S-1C7LF	11.2	6.2
6	SLW6R-1C7LF	SLW6S-1C7LF	12.2	7.2
7	SLW7R-1C7LF	SLW7S-1C7LF	13.2	8.2
8	SLW8R-1C7LF	SLW8S-1C7LF	14.2	9.2
9	SLW9R-1C7LF	SLW9S-1C7LF	15.2	10.2
10	SLW10R-1C7LF	SLW10S-1C7LF	16.2	11.2
11	SLW11R-1C7LF	SLW11S-1C7LF	17.2	12.2
12	SLW12R-1C7LF	SLW12S-1C7LF	18.2	13.2
13	SLW13R-1C7LF	SLW13S-1C7LF	19.2	14.2
14	SLW14R-1C7LF	SLW14S-1C7LF	20.2	15.2
15	SLW15R-1C7LF	SLW15S-1C7LF	21.2	16.2
16	SLW16R-1C7LF	SLW16S-1C7LF	22.2	17.2
17	SLW17R-1C7LF	SLW17S-1C7LF	23.2	18.2
18	SLW18R-1C7LF	SLW18S-1C7LF	24.2	19.2
19	SLW19R-1C7LF	SLW19S-1C7LF	25.2	20.2
20	SLW20R-1C7LF	SLW20S-1C7LF	26.2	21.2
21	SLW21R-1C7LF	SLW21S-1C7LF	27.2	22.2
22	SLW22R-1C7LF	SLW22S-1C7LF	28.2	23.2
23	SLW23R-1C7LF	SLW23S-1C7LF	29.2	24.2
24	SLW24R-1C7LF	SLW24S-1C7LF	30.2	25.2
25	SLW25R-1C7LF	SLW25S-1C7LF	31.2	26.2
26	SLW26R-1C7LF	SLW26S-1C7LF	32.2	27.2
27	SLW27R-1C7LF	SLW27S-1C7LF	33.2	28.2
28	SLW28R-1C7LF	SLW28S-1C7LF	34.2	29.2
29	SLW29R-1C7LF	SLW29S-1C7LF	35.2	30.2
30	SLW30R-1C7LF	SLW30S-1C7LF	36.2	31.2

CAT. NO. SLW (n) R - 1C7 LF

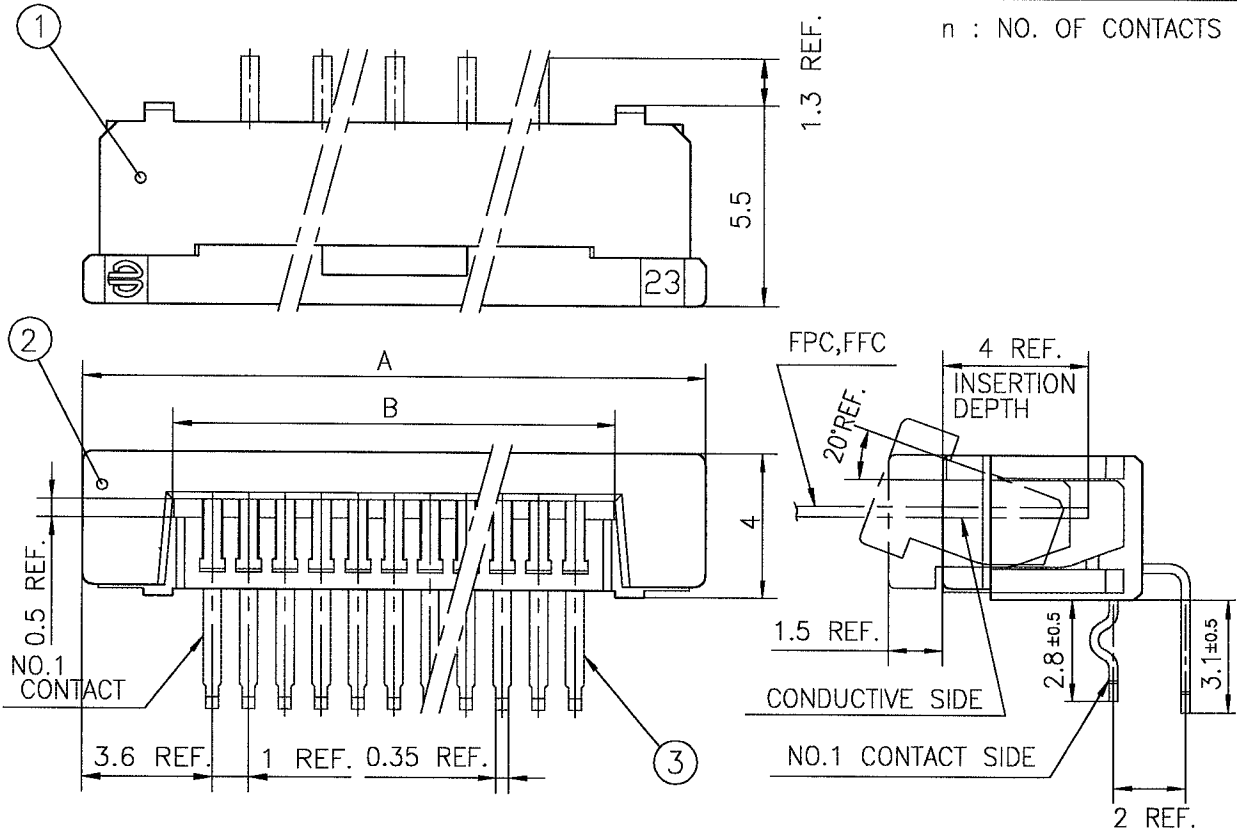


NOTE
1. SEE PART DRAWINGS FOR DIMENSIONS A,B.

SHEET INDEX	ISSUE	A										A FCI					
	SH NO.	1															
TOLERANCES UNLESS OTHERWISE SPECIFIED		DR	A. KOBAYASHI		DATE	05/2/18		CUSTOMER COPY	TITLE CAT NO. TABLE FOR 1mm SPACING CONNECTOR (Cat. No. SLW__R/S-1C7LF)								
LINEAR		ENGR	<i>H. Kobayashi</i>			2/18/05		THIRD ANGLE PROJ									
		CHK	<i>H. Kobayashi</i>			2/18/05											
ANGLES		APPD	<i>M. Guevara</i>			2/18/05		UNIT	MM	PRODUCT FAMILY	58JF	CODE JP					
DO NOT SCALE PRINT DF-140A REV A									THIS INFORMATION IS CONFIDENTIAL AND IS DISCLOSED TO YOU ON CONDITION THAT NO FURTHER DISCLOSURE IS MADE BY YOU TO OTHER THAN FCI PERSONNEL WITHOUT WRITTEN AUTHORIZATION FROM FCI JAPAN K.K.				SCALE	SIZE	DWG. NO.	REV	SHEET OF
													-	A	JSA 96300	A	DF

REVISIONS				
REV	DESCRIPTION	ECN	BY	DATE
A	Released	J05-0079	H.T	'05/2/18
B	Added heat resistance	J05-0734	H.T	10/28/05

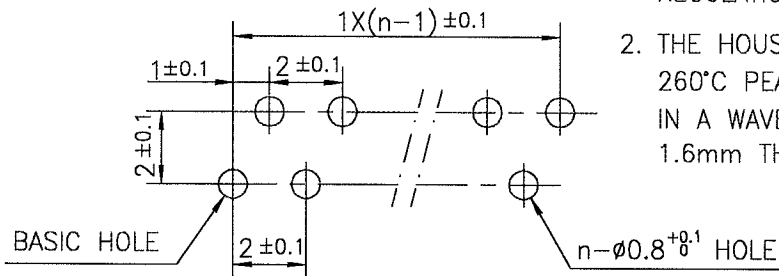
n : NO. OF CONTACTS



PT.NO.	PARTS NAME	MATERIAL	Q'TY	NOTE
1	HOUSING	NYLON RESIN GLASS REINFORCED (UL94V-0)	1	COLOR : BLACK
2	SLIDER		1	
3	CONTACT	PHOSPHOR BRONZE	n	PLATING : MATTE PURE TIN (LEAD FREE)

RECOMMENDED PC BOARD

THICKNESS : 0.8~1.6
HOLE PATTERN (COMPONENT SIDE)



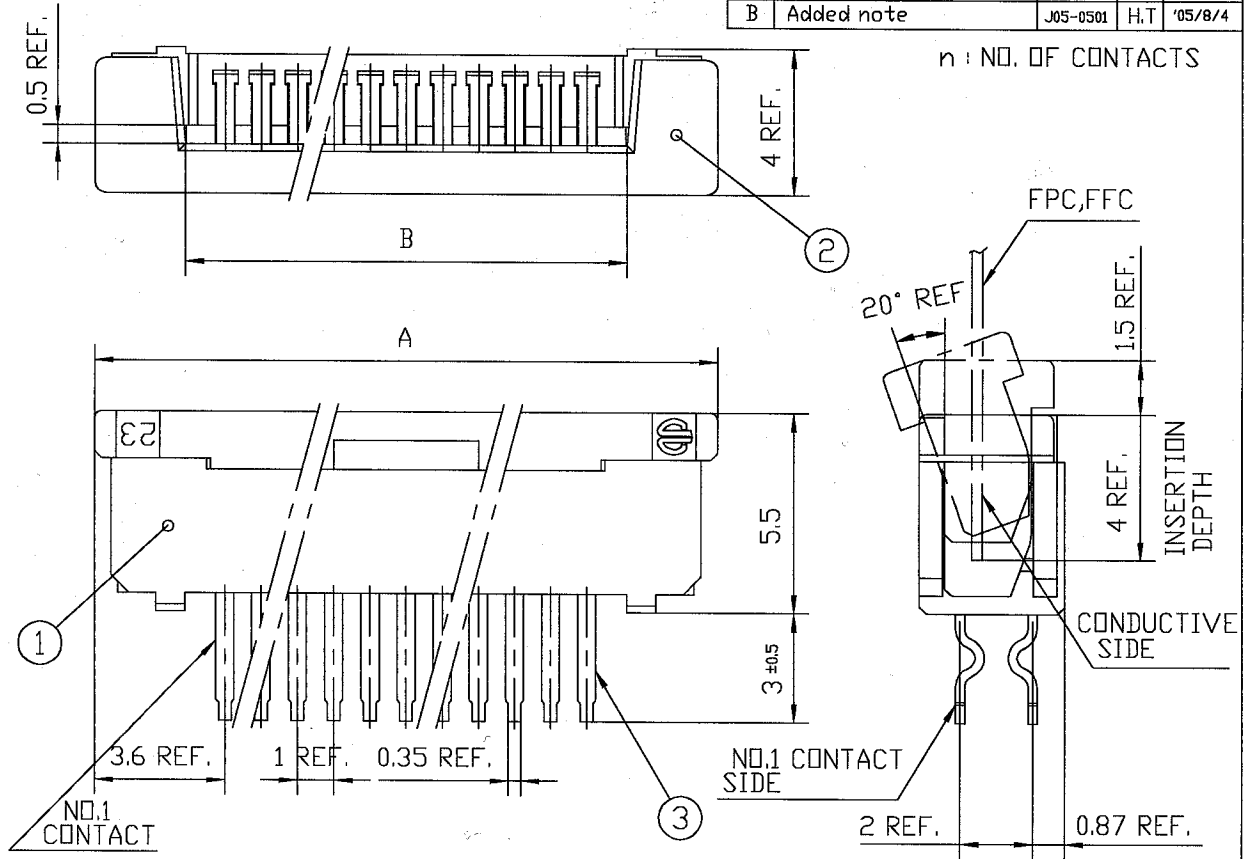
1. THIS PRODUCT MEETS EUROPEAN UNION DIRECTIVES AND OTHER COUNTRY REGULATIONS AS DESCRIBED IN GS-22-008
2. THE HOUSING WILL WITHSTAND EXPOSURE TO 260°C PEAK TEMPERATURE FOR 10 SECONDS IN A WAVE SOLDER APPLICATION WITH A 1.6mm THICK CIRCUIT BOARD.

SHEET INDEX	ISSUE	B					FCI			
	SH NO.	1					TITLE			
TOLERANCES UNLESS OTHERWISE SPECIFIED			DR	DATE	CUSTOMER COPY	1mm SPACING CONNECTOR (Cat. No. SLW__R-1C7LF)				
±0.3			ENGR	10/21/05	THIRD ANGLE PROJ	PRODUCT FAMILY				
LINEAR			CHK	10/21/05	UNIT	58JF				
ANGLES			APPD	11/1/05	MM INCH	CODE JP				
DO NOT SCALE PRINT			THIS INFORMATION IS CONFIDENTIAL AND IS DISCLOSED TO YOU ON CONDITION THAT NO FURTHER DISCLOSURE IS MADE BY YOU TO OTHER THAN FCI PERSONNEL WITHOUT WRITTEN AUTHORIZATION FROM FCI JAPAN K.K.			SCALE	SIZE	DWG. NO.	REV	SHEET
DF-140A REV A						-	A	JSA 96302	B	DF

SC-SLW03 JSA96300

TOLERANCES
UNLESS OTHERWISE SPECIFIED: ± 0.3

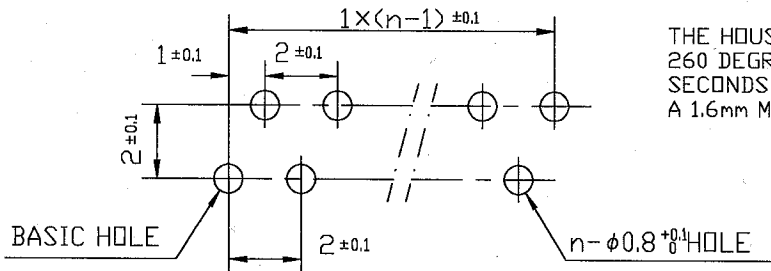
REVISIONS				
REV	DESCRIPTION	ECN	BY	DATE
A	Released	J05-0079	H.T	'05/2/18
B	Added note	J05-0501	H.T	'05/8/4



PT.NO.	PARTS NAME	MATERIAL	Q'TY	NOTE
1	HOUSING	NYLON RESIN GLASS REINFORCED (UL94V-0)	1	COLOR : BLACK
2	SLIDER		1	
3	CONTACT	PHOSPHOR BRONZE	n	PLATING : MATTE PURE TIN (LEAD FREE)

RECOMMENDED PC BOARD
THICKNESS : 0.8~1.6
HOLE PATTERN (COMPONENT SIDE)

THIS PRODUCT MEETS EUROPEAN UNION
DIRECTIVES AND OTHER COUNTRY REGULATIONS
AS DESCRIBED IN GS-22-008.



THE HOUSING WILL WITHSTAND EXPOSURE TO
260 DEGREE C PEAK TEMPERATURE FOR 10
SECONDS IN A WAVE SOLDER APPLICATION WITH
A 1.6mm MINIMUM THICK CIRCUIT BOARD.

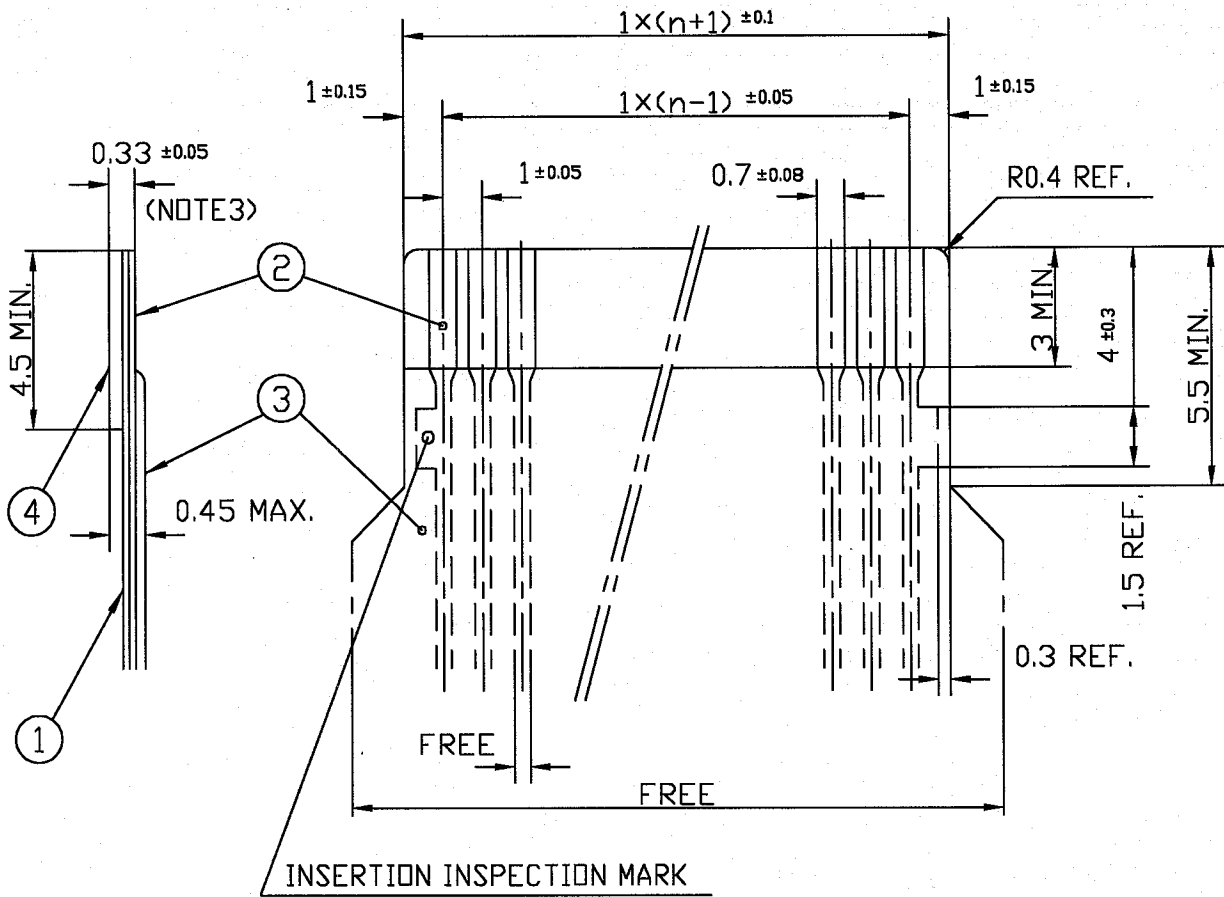
SHEET INDEX	ISSUE SH NO.	B					A FCI	TITLE			
TOLERANCES UNLESS OTHERWISE SPECIFIED			DR	DATE	CUSTOMER COPY	1mm SPACING CONNECTOR (Cat. No. SLW__S-1C7LF)					
LINEAR			ENGR	8/14/05	THIRD ANGLE PROJ	PRODUCT FAMILY		58JF	CODE JP		
			CHK	8/14/05		UNIT		MM			
ANGLES			APPD	8/14/05	INCH	SCALE		SIZE	DWG. NO.	REV	SHEET OF
DO NOT SCALE PRINT			THIS INFORMATION IS CONFIDENTIAL AND IS DISCLOSED TO YOU ON CONDITION THAT NO FURTHER DISCLOSURE IS MADE BY YOU TO OTHER THAN FCI PERSONNEL WITHOUT WRITTEN AUTHORIZATION FROM FCI JAPAN K.K.				-	A	JSA 96301	B	OF

SC-SLW03 JSA96300

REVISIONS				
REV	DESCRIPTION	ECN	BY	DATE
AA	Changed form	J05-0079	H.T	2/18/05

RECOMMENDED CABLE (FPC)

n : NO. OF CONDUCTOR

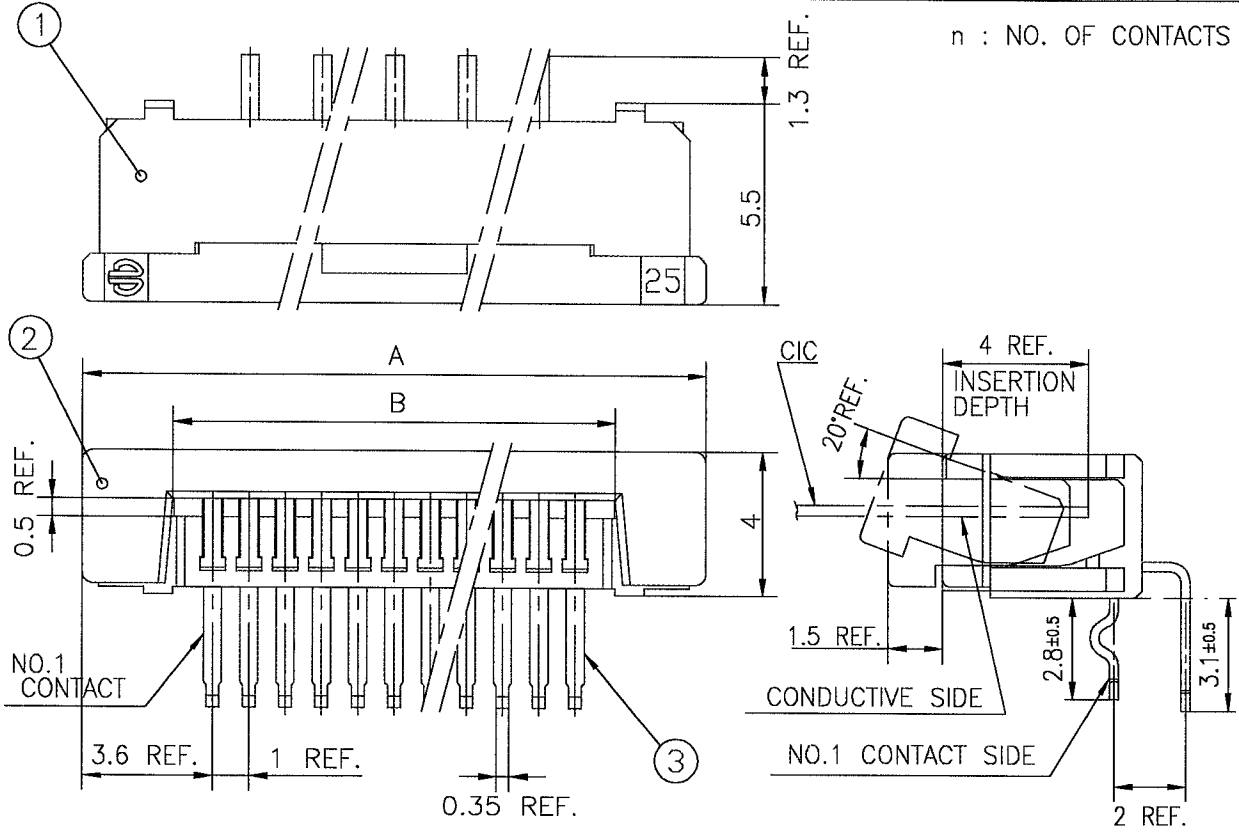


PT. NO.	PARTS NAME	MATERIAL	THICKNESS (μm)
1	BASE FILM	POLYIMIDE OR POLYESTER OR EQUAL	25
2	CONDUCTOR	COPPER FOIL (PLATING : SOLDER 1μm MIN.)	35
3	OVERLAY	POLYIMIDE OR POLYESTER OR EQUAL	—
4	SUPPORTING TAPE	POLYESTER OR POLYIMIDE OR EQUAL	188

- NOTES
1. NO BURR AT EACH PORTION.
 2. NO PEELING IN COMMON USE.
 3. TOTAL THICKNESS LIMIT OF EACH MATERIAL (INCLUDING ADHESIVE AGENT) IS SPECIFIED.

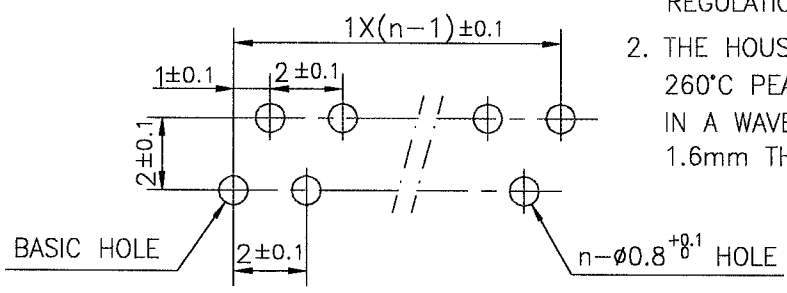
SHEET INDEX	ISSUE	AA												
	SH NO.	1												
TOLERANCES UNLESS OTHERWISE SPECIFIED		DR	A. KOBAYASHI	DATE	05/2/18	CUSTOMER COPY		TITLE						
LINEAR		ENGR	<i>[Signature]</i>			THIRD ANGLE PROJ		RECOMMENDED CABLE						
		CHK	<i>[Signature]</i>		2/18/05			(Cat. No. SLW__R/S-__)						
ANGLES		APPD	<i>[Signature]</i>		2/18/05	UNIT		PRODUCT FAMILY		58JF	CODE			
						MM INCH					JP			
DO NOT SCALE PRINT		THIS INFORMATION IS CONFIDENTIAL AND IS DISCLOSED TO YOU ON CONDITION THAT NO FURTHER DISCLOSURE IS MADE BY YOU TO OTHER THAN FCI PERSONNEL WITHOUT WRITTEN AUTHORIZATION FROM FCI JAPAN K.K.								SCALE	SIZE	DWG. NO.	REV	SHEET
DF-140A REV A										-	A	JSA 91648	AA	DF

REVISIONS				
REV	DESCRIPTION	ECN	BY	DATE
A	Released	J05-0079	H.T	'05/2/15
B	Added heat resistance	J05-0734	H.T	10/28/'05



PT.NO.	PARTS NAME	MATERIAL	Q'TY	NOTE
1	HOUSING	NYLON RESIN GLASS REINFORCED (UL94V-0)	1	COLOR : BLACK
2	SLIDER		1	COLOR : WHITE
3	CONTACT	PHOSPHOR BRONZE	n	PLATING : MATTE PURE TIN (LEAD FREE)

RECOMMENDED PC BOARD
 THICKNESS : 0.8~1.6
 HOLE PATTERN (COMPONENT SIDE)

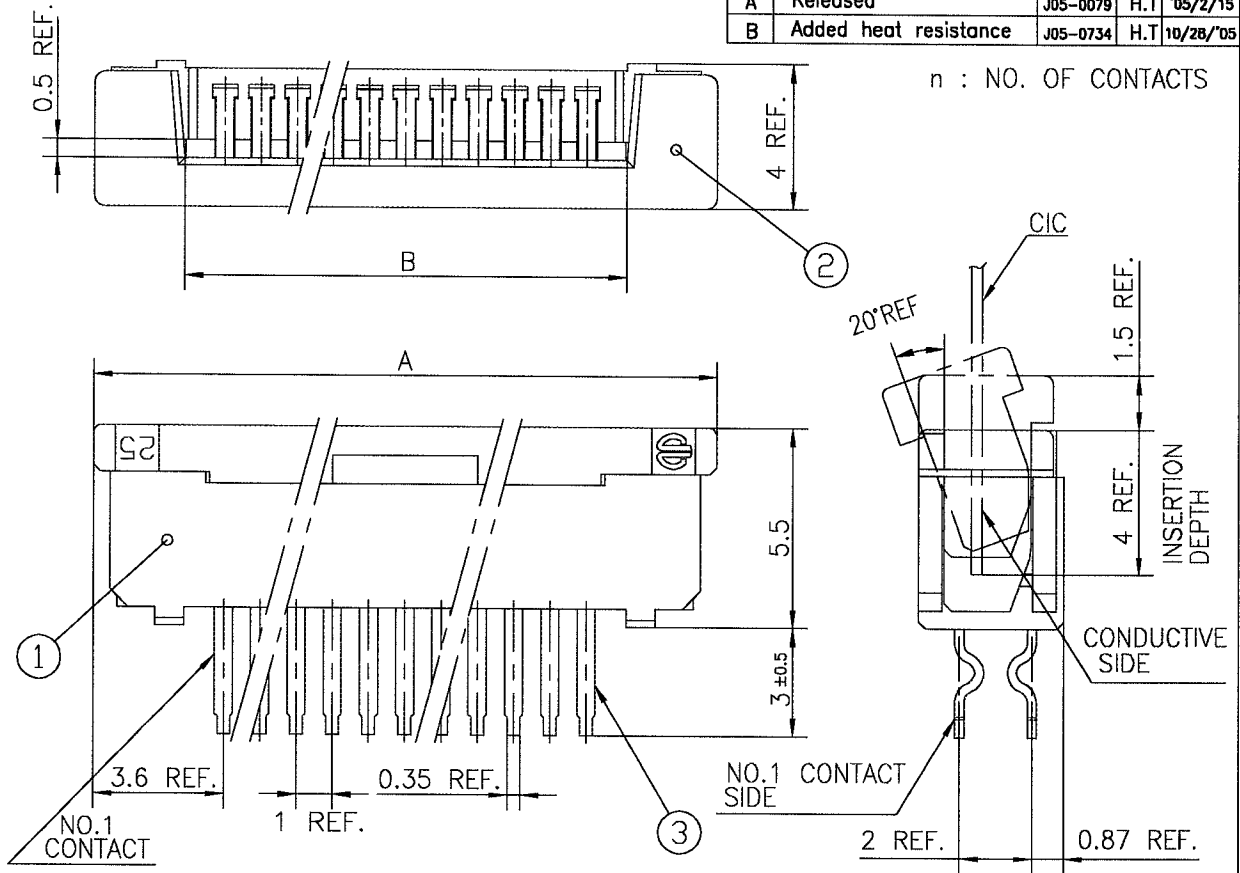


1. THIS PRODUCT MEETS EUROPEAN UNION DIRECTIVES AND OTHER COUNTRY REGULATIONS AS DESCRIBED IN GS-22-008
2. THE HOUSING WILL WITHSTAND EXPOSURE TO 260°C PEAK TEMPERATURE FOR 10 SECONDS IN A WAVE SOLDER APPLICATION WITH A 1.6mm THICK CIRCUIT BOARD.

SHEET INDEX	ISSUE	B						TITLE 1mm SPACING CONNECTOR (Cat. No. SLW__R-5C7LF)			
	SH NO.	1									
LINEAR	TOLERANCES UNLESS OTHERWISE SPECIFIED		DR	DATE	CUSTOMER COPY	PRODUCT FAMILY 58JF CODE JP					
	±0.3		ENGR	10/21/05	THIRD ANGLE PROJ						
			CHK	10/31/05	UNIT						
ANGLES			APPD	11/1/05	MM INCH	SCALE A SIZE A DWG. NO. JSA 96305 REV B SHEET 0F					
DD NOT SCALE PRINT THIS INFORMATION IS CONFIDENTIAL AND IS DISCLOSED TO YOU ON CONDITION THAT NO FURTHER DISCLOSURE IS MADE BY YOU TO OTHER THAN FCI PERSONNEL WITHOUT WRITTEN AUTHORIZATION FROM FCI JAPAN K.K.											

SC-SLW04 JSA96303

REVISIONS				
REV	DESCRIPTION	ECN	BY	DATE
A	Released	J05-0079	H.T	'05/2/'05
B	Added heat resistance	J05-0734	H.T	10/28/'05

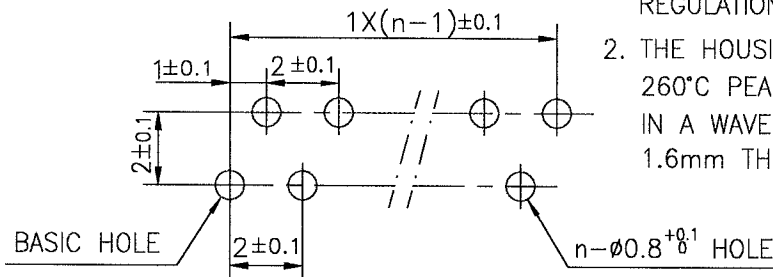


PT.NO.	PARTS NAME	MATERIAL	Q'TY	NOTE
1	HOUSING	NYLON RESIN GLASS REINFORCED (UL94V-0)	1	COLOR : BLACK
2	SLIDER		1	COLOR : WHITE
3	CONTACT	PHOSPHOR BRONZE	n	PLATING : MATTE PURE TIN (LEAD FREE)

RECOMMENDED PC BOARD

THICKNESS : 0.8~1.6
HOLE PATTERN (COMPONENT SIDE)

1. THIS PRODUCT MEETS EUROPEAN UNION DIRECTIVES AND OTHER COUNTRY REGULATIONS AS DESCRIBED IN GS-22-008
2. THE HOUSING WILL WITHSTAND EXPOSURE TO 260°C PEAK TEMPERATURE FOR 10 SECONDS IN A WAVE SOLDER APPLICATION WITH A 1.6mm THICK CIRCUIT BOARD.



SHEET INDEX	ISSUE	B											FCI	
SH NO.	SH NO.	1											TITLE	
TOLERANCES UNLESS OTHERWISE SPECIFIED			DR	DATE			CUSTOMER COPY		TITLE					
± 0.3			ENGR	1-12/05			THIRD ANGLE PROJ		1mm SPACING CONNECTOR (Cat. No. SLW__S-5C7LF)					
LINEAR				CHK	10/31/05			UNIT		PRODUCT FAMILY			CODE JP	
ANGLES				APPD	11/1/05			MM INCH		58JF			JP	
DO NOT SCALE PRINT			THIS INFORMATION IS CONFIDENTIAL AND IS DISCLOSED TO YOU ON CONDITION THAT NO FURTHER DISCLOSURE IS MADE BY YOU TO OTHER THAN FCI PERSONNEL WITHOUT WRITTEN AUTHORIZATION FROM FCI JAPAN K.K.						SCALE	SIZE	DWG. NO.	REV	SHEET	
DF-140A REV A									A	A	JSA 96304	B	DF	

SC-SLW04 JSA96303



Компания «ЭлектроПласт» предлагает заключение долгосрочных отношений при поставках импортных электронных компонентов на взаимовыгодных условиях!

Наши преимущества:

- Оперативные поставки широкого спектра электронных компонентов отечественного и импортного производства напрямую от производителей и с крупнейших мировых складов;
- Поставка более 17-ти миллионов наименований электронных компонентов;
- Поставка сложных, дефицитных, либо снятых с производства позиций;
- Оперативные сроки поставки под заказ (от 5 рабочих дней);
- Экспресс доставка в любую точку России;
- Техническая поддержка проекта, помощь в подборе аналогов, поставка прототипов;
- Система менеджмента качества сертифицирована по Международному стандарту ISO 9001;
- Лицензия ФСБ на осуществление работ с использованием сведений, составляющих государственную тайну;
- Поставка специализированных компонентов (Xilinx, Altera, Analog Devices, Intersil, Interpoint, Microsemi, Aeroflex, Peregrine, Syfer, Eurofarad, Texas Instrument, Miteq, Cobham, E2V, MA-COM, Hittite, Mini-Circuits, General Dynamics и др.);

Помимо этого, одним из направлений компании «ЭлектроПласт» является направление «Источники питания». Мы предлагаем Вам помощь Конструкторского отдела:

- Подбор оптимального решения, техническое обоснование при выборе компонента;
- Подбор аналогов;
- Консультации по применению компонента;
- Поставка образцов и прототипов;
- Техническая поддержка проекта;
- Защита от снятия компонента с производства.



Как с нами связаться

Телефон: 8 (812) 309 58 32 (многоканальный)

Факс: 8 (812) 320-02-42

Электронная почта: org@eplast1.ru

Адрес: 198099, г. Санкт-Петербург, ул. Калинина, дом 2, корпус 4, литера А.