



# Telaire T5100-LED Series

## Low-Cost Wall Mount CO<sub>2</sub> Transmitter

The new Telaire T5100-LED series is a new low cost, high performing CO<sub>2</sub> transmitter for the building controls market. It works seamlessly with building automation systems, and allows you to simply and effectively control fresh air into a ventilated space to regulated standards, providing immediate energy savings.

### Features:

- Patented, Absorption Infrared Gas sensing engine provides high accuracy in a compact low cost package.
- Patented ABC Logic™ self-calibration system eliminates the need for manual calibration in most applications.
- Lifetime CO<sub>2</sub> calibration guarantee when using ABC Logic™.
- Mounting plate with two-piece terminal blocks provide quick, easy wiring.



- Gas permeable, water resistant CO<sub>2</sub> diffusion filter prevents particulate and water contamination of the sensor.
- Locking screw secures cover and sensor to the mounting bracket for tamper resistance.
- Sensors are shipped factory calibrated.
- Modern enclosure
- Low-cost
- Reliable (20 years of low-cost infrared sensor manufacturing)
- Available CO<sub>2</sub> and Temperature output options:  
Voltage 0-10V or 0-5V (switch selectable)  
Or current 4-20 mA
- UIP software compatible for customizations
- CE, RoHS, REACH and WEEE compliant
- Lifetime calibration warranty
- Two enclosure sizes for regional acceptance

**Amphenol**  
Advanced Sensors

# Controlled Ventilation

Ventilation is an important part of maintaining a comfortable, healthy, productive environment for people. Improper ventilation can have a negative impact on occupant health and performance, increase the risk from litigation, and/or waste energy. Demand-controlled ventilation using CO<sub>2</sub> sensors prevents energy losses from over-ventilation while maintaining indoor air quality. The most energy savings potential is in buildings where occupancy fluctuates during a 24-hour period. Numerous organizations now require and/or recommend CO<sub>2</sub>-based ventilation control in different commercial HVAC applications. Some utility companies also offer rebates to building owners for installing CO<sub>2</sub> sensors.

Wall mount sensors are used to control a specific area such as a conference room, classroom, meeting hall, etc. The Telaire 5000 Ventostat series are easy to install and have a clean, modern look that suits most indoor environments.

## Wall Mount Specifications

### Sensing Method

- Non-dispersive infrared (NDIR) absorption
- Gold-plated optics
- Patented ABC Logic self calibration algorithm

### CO<sub>2</sub> Measurement Range

0 to 2000 ppm  
(0 ppm = 0 V, 4 mA)

### CO<sub>2</sub> Accuracy

±30 ppm or 3% of the reading shown, whichever is higher \*

### Active Temperature Accuracy /Range

0-50°C (32-122°F)  
±1°C from 15-30°C (±1.8°F from 59 to 86°F)

### Power Supply Requirements

18-30 VAC RMS, 50/60 Hz, or 18 to 42 VDC,  
polarity protected

\*AHRAE — regulation 62 states maximum indoor CO<sub>2</sub> level of 1000 ppm

### Power Consumption

Typical 0.7 W at nominal voltage of 24V AC RMS

### Temperature Dependence

0.2% FS per °C (±0.11% per °F)

### Stability

<2% of FS over life of sensor (15 years)

### Pressure Dependence

0.135% of reading per mm Hg

\*CO<sub>2</sub> accuracy statement excludes standard gas used for calibration that has an accuracy of 2%. In addition, there is a potential digital to analog error of up to 2%.

### Warranty

24 months on mechanical defects  
Calibration - lifetime warranty (ABC Logic on.)

### Certifications

CE EMC, RoHS, REACH and WEEE compliant

### Signal Update

Every 5 seconds

### CO<sub>2</sub> Warm-up Time

- < 2 minutes (operational)
- 10 minutes (maximum accuracy)

### Operating Conditions

- 32°F to 122°F (0°C to 50°C)
- 0 to 95% RH, non-condensing

### Storage Conditions

-40°F to 158°F (-40°C to 70°C)

### Flammability Classification

UL94 5VA

### Output

#### Analog (Temperature and CO<sub>2</sub>)

- 0 to 5 V, or 0 to 10 V switch selectable (100 Ω output impedance)
- Or 4 to 20 mA (RL maximum 500 Ω)
- Voltage and current outputs are not available simultaneously
- Digital to analog error ±2%

## Sensor Accuracy & Field Calibration

### CO<sub>2</sub> ABC Logic Self Calibration

T5100-LED sensors employ the patented ABC (Automatic Background Calibration) Logic self-calibration system. ABC Logic virtually eliminates the need for manual calibration in applications where the indoor CO<sub>2</sub> level drops to outside levels during unoccupied periods (e.g. during evening hours). ABC Logic is a special software routine in the sensor that remembers the background readings for 14 consecutive evenings, calculates if there is a sensor drift, and then corrects for it.

With ABC Logic enabled, the sensor will typically reach its operational accuracy after 25 hours of continuous operation at a condition that is exposed to ambient reference levels. Sensors will maintain accuracy specifications with ABC Logic enabled, given that it is at least three times in 14 days

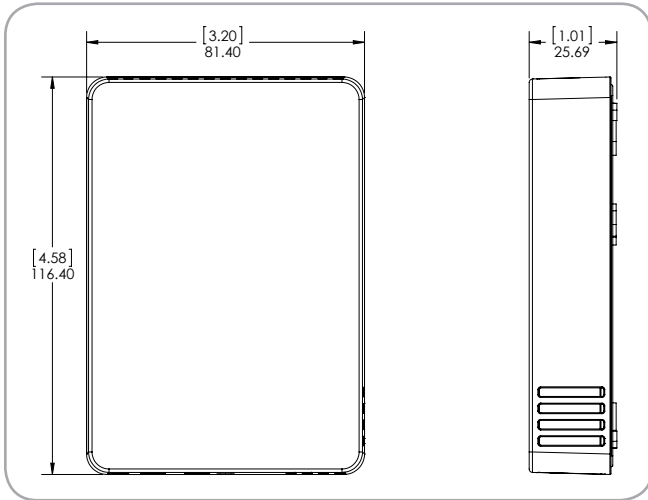
# Accessories

exposed to the reference value and this reference value is the lowest concentration to which the sensor is exposed.

Note: Applies when used in typical indoor ambient air. Consult Telaire if other gases or corrosive agents are part of the application environment.

## CO<sub>2</sub> Calibration Guarantee

Telaire is serious about minimizing maintenance, so each T5100 sensor comes with a lifetime calibration guarantee.



T5100 standard enclosure

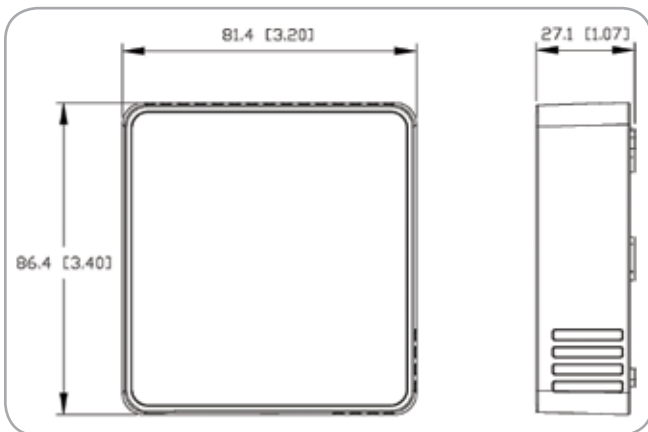
## Enclosure Specifications

### T1508 Aspiration Box for Duct Mounting

The Model 1508 is designed for in-duct sampling of CO<sub>2</sub> concentrations at flow rates greater than 400 fpm. Clear cover allows for observation of the sensor. They will accommodate any of the T5100 series, and can be used for temperature and RH when fitted. Enclosure is screwed to the duct with probe inserted into air stream. Air sampling probe is 1-inch (25.4mm) diameter and 8-inch (203.2mm) long. Enclosure (ABS plastic) has knockouts for conduit connection. Note: Wiring penetrations must be sealed prior to use. CO<sub>2</sub> sensor not included.



T1508 Aspiration Box for Duct Mounting



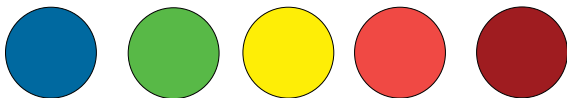
T5100-EC smaller Euro enclosure

### T1505 Splash Resistant Enclosure

The Model 1505 is designed to protect the T5100 series in damp or wet environments as might occur in agricultural, industrial or food processing environments. This enclosure (ABS plastic) is designed to protect the sensor from dripping or sprayed water. Any wall mount model of the T5100 series sensor can be installed inside the enclosure. The transparent cover allows for viewing of the sensor/display. Four diffusion ports allow for entry of CO<sub>2</sub>. Knockouts are provided for conduit connection. Response time of the sensor is slowed to approximately 30 minutes to measure a 90% step change in concentrations. Enclosure is designed to screw directly to a wall. CO<sub>2</sub> sensor not included.

## LED Sequence

Color LEDs in dot mode indicate the level of CO<sub>2</sub> in the environment.



<800 ppm    800-1200 ppm    1200-1500 ppm    >1500 ppm    >2000 ppm  
(Both red LEDs will be on.)

Note: Values are approximate.

## T1552 Outside Air Enclosure

The Model 1552 is a rugged weatherproof enclosure (ABS plastic), designed to allow the T5100 series sensor to operate in an outdoor environment and/or where ambient temperatures are below freezing. The 1552 is ideal for monitoring outside air or CO<sub>2</sub> as a surrogate for combustion fumes in parking garages, tunnels and loading docks. This enclosure features a temperature control circuit and internal heaters to maintain the sensor within its normal operating temperature range, even if temperatures outside the enclosure are as low as -20°F (-29°C). Four diffusion ports allow for entry of CO<sub>2</sub>. Response time of the sensor is slowed to approximately 30 minutes to measure a 90% step change in concentrations. Enclosure is designed to screw directly to a wall. CO<sub>2</sub> sensor not included. Power consumption is 24V, 1.5 Amp (max), and includes the T5100 series.



T1505 Splash Resistant Enclosure and T1552 Outside Air Enclosure

## The software features:

- Altitude adjustment for maximum accuracy performance
- Analog output adjustment
- Single point and span gas calibration
- Turn on and off ABC Logic™
- Graphing and logging of CO<sub>2</sub>

The software can be used by distributors to make modifications to the T5100 prior to shipping to the customer, as well as to make adjustments in the field. The USB cable supplies power to the Ventostat, negating the need for a separate power supply.

The T2090 UIP software kit is supplied with a USB cable and software CD.



## Ventostat UIP Software

The Ventostat UIP software allows you to modify the standard settings on the T5100 series products.

## Ordering Information

Examples:

T5100 - 10 V output = 10 V

T5100-E-GN-5v Euro case size, no branding, 5v output

T5100-I output = 4-20 mA

E for Euro case

GN for no brand

nothing for US case



T5100

\_\_\_\_\_ - \_\_\_\_\_ - LED

**Amphenol**  
Advanced Sensors

[www.amphenol-sensors.com](http://www.amphenol-sensors.com)

© 2014 Amphenol Corporation. All Rights Reserved. Specifications are subject to change without notice. Other company names and product names used in this document are the registered trademarks or trademarks of their respective owners.

# Mouser Electronics

Authorized Distributor

Click to View Pricing, Inventory, Delivery & Lifecycle Information:

[Amphenol:](#)

[T5100-E-LED](#) [T5100-E-GN-LED](#) [T5100-LED](#) [T5100-GN-LED](#)



Компания «ЭлектроПласт» предлагает заключение долгосрочных отношений при поставках импортных электронных компонентов на взаимовыгодных условиях!

Наши преимущества:

- Оперативные поставки широкого спектра электронных компонентов отечественного и импортного производства напрямую от производителей и с крупнейших мировых складов;
- Поставка более 17-ти миллионов наименований электронных компонентов;
- Поставка сложных, дефицитных, либо снятых с производства позиций;
- Оперативные сроки поставки под заказ (от 5 рабочих дней);
- Экспресс доставка в любую точку России;
- Техническая поддержка проекта, помощь в подборе аналогов, поставка прототипов;
- Система менеджмента качества сертифицирована по Международному стандарту ISO 9001;
- Лицензия ФСБ на осуществление работ с использованием сведений, составляющих государственную тайну;
- Поставка специализированных компонентов (Xilinx, Altera, Analog Devices, Intersil, Interpoint, Microsemi, Aeroflex, Peregrine, Syfer, Eurofarad, Texas Instrument, Miteq, Cobham, E2V, MA-COM, Hittite, Mini-Circuits, General Dynamics и др.);

Помимо этого, одним из направлений компании «ЭлектроПласт» является направление «Источники питания». Мы предлагаем Вам помощь Конструкторского отдела:

- Подбор оптимального решения, техническое обоснование при выборе компонента;
- Подбор аналогов;
- Консультации по применению компонента;
- Поставка образцов и прототипов;
- Техническая поддержка проекта;
- Защита от снятия компонента с производства.



#### Как с нами связаться

**Телефон:** 8 (812) 309 58 32 (многоканальный)

**Факс:** 8 (812) 320-02-42

**Электронная почта:** [org@eplast1.ru](mailto:org@eplast1.ru)

**Адрес:** 198099, г. Санкт-Петербург, ул. Калинина, дом 2, корпус 4, литера А.