

# Type 101C -55 °C to 105 °C Low-ESR, Wide-Temperature Grade



## The Ultimate in Cold Performance and ESR

The Type 101C is the wide-temperature, low voltage version of the Type 550C. It is ideal for high-ripple current military and industrial applications that need full performance to -40 °C and solid performance to -55 °C. It also excels as a power-supply output capacitor because of its exceptionally low ESR. The extended cathode foil of the 101C assures heat flow from the capacitor element to the can in all mounting orientations.

## Highlights

- 5,000 hour load life
- Ripple Current to > 100 amps @ 55 °C
- ESRs to 2.5 mΩ
- > 90% capacitance at -40 °C
- Thermal-Pak™ extended cathode construction

## Specifications

| Temperature Range                | -55 °C to +105 °C  |       |        |        |       |        |             |        |      |      |      |      |      |      |      |           |       |       |        |        |       |       |             |                                      |  |  |  |  |  |  |  |                     |      |      |      |      |      |      |      |                        |      |      |      |      |      |      |      |                                  |  |  |  |  |  |  |  |                     |      |      |      |      |      |      |      |                        |      |      |      |      |      |      |      |                     |  |  |  |  |  |  |  |                     |      |      |      |      |      |      |      |                        |      |      |      |      |      |      |      |
|----------------------------------|--|-------|--------|--------|-------|--------|-------------|--------|------|------|------|------|------|------|------|-----------|-------|-------|--------|--------|-------|-------|-------------|--------------------------------------|--|--|--|--|--|--|--|---------------------|------|------|------|------|------|------|------|------------------------|------|------|------|------|------|------|------|----------------------------------|--|--|--|--|--|--|--|---------------------|------|------|------|------|------|------|------|------------------------|------|------|------|------|------|------|------|---------------------|--|--|--|--|--|--|--|---------------------|------|------|------|------|------|------|------|------------------------|------|------|------|------|------|------|------|
| Rated Voltage Range              | 7.5 to 250 Vdc   |       |        |        |       |        |             |        |      |      |      |      |      |      |      |           |       |       |        |        |       |       |             |                                      |  |  |  |  |  |  |  |                     |      |      |      |      |      |      |      |                        |      |      |      |      |      |      |      |                                  |  |  |  |  |  |  |  |                     |      |      |      |      |      |      |      |                        |      |      |      |      |      |      |      |                     |  |  |  |  |  |  |  |                     |      |      |      |      |      |      |      |                        |      |      |      |      |      |      |      |
| Capacitance Range                | 290 µF to 1.5 F  |       |        |        |       |        |             |        |      |      |      |      |      |      |      |           |       |       |        |        |       |       |             |                                      |  |  |  |  |  |  |  |                     |      |      |      |      |      |      |      |                        |      |      |      |      |      |      |      |                                  |  |  |  |  |  |  |  |                     |      |      |      |      |      |      |      |                        |      |      |      |      |      |      |      |                     |  |  |  |  |  |  |  |                     |      |      |      |      |      |      |      |                        |      |      |      |      |      |      |      |
| Capacitance Tolerance            | 7.5 to 150 Vdc: -10% +75%, 200 & 250 Vdc: -10% +50%  |       |        |        |       |        |             |        |      |      |      |      |      |      |      |           |       |       |        |        |       |       |             |                                      |  |  |  |  |  |  |  |                     |      |      |      |      |      |      |      |                        |      |      |      |      |      |      |      |                                  |  |  |  |  |  |  |  |                     |      |      |      |      |      |      |      |                        |      |      |      |      |      |      |      |                     |  |  |  |  |  |  |  |                     |      |      |      |      |      |      |      |                        |      |      |      |      |      |      |      |
| Leakage Current                  | ≤1.5 $\sqrt{CV}$ µA, 4 mA max, 5 minutes   |       |        |        |       |        |             |        |      |      |      |      |      |      |      |           |       |       |        |        |       |       |             |                                      |  |  |  |  |  |  |  |                     |      |      |      |      |      |      |      |                        |      |      |      |      |      |      |      |                                  |  |  |  |  |  |  |  |                     |      |      |      |      |      |      |      |                        |      |      |      |      |      |      |      |                     |  |  |  |  |  |  |  |                     |      |      |      |      |      |      |      |                        |      |      |      |      |      |      |      |
| Ripple Current Multipliers       | <p>Ambient Temperature</p> <table border="1"> <thead> <tr> <th>45 °C</th> <th>55 °C</th> <th>65 °C</th> <th>75 °C</th> <th>85 °C</th> <th>95 °C</th> <th>105 °C</th> </tr> </thead> <tbody> <tr> <td>1.66</td> <td>1.52</td> <td>1.37</td> <td>1.20</td> <td>1.00</td> <td>0.75</td> <td>0.36</td> </tr> </tbody> </table><br><table border="1"> <thead> <tr> <th rowspan="2">Frequency</th> <th>50 Hz</th> <th>60 Hz</th> <th>120 Hz</th> <th>360 Hz</th> <th>1 kHz</th> <th>5 kHz</th> <th>10 kHz &amp; up</th> </tr> </thead> <tbody> <tr> <td colspan="8" style="text-align:center;"><b>1 3/8" &amp; 1 3/4" Diameters</b></td> </tr> <tr> <td><b>7.5 to 150 V</b></td> <td>0.91</td> <td>0.93</td> <td>1.00</td> <td>1.06</td> <td>1.08</td> <td>1.09</td> <td>1.09</td> </tr> <tr> <td><b>200 &amp; 250 V</b></td> <td>0.82</td> <td>0.86</td> <td>1.00</td> <td>1.14</td> <td>1.20</td> <td>1.23</td> <td>1.23</td> </tr> <tr> <td colspan="8" style="text-align:center;"><b>2" &amp; 2 1/2" Diameters</b></td> </tr> <tr> <td><b>7.5 to 150 V</b></td> <td>0.92</td> <td>0.94</td> <td>1.00</td> <td>1.05</td> <td>1.07</td> <td>1.08</td> <td>1.08</td> </tr> <tr> <td><b>200 &amp; 250 V</b></td> <td>0.82</td> <td>0.86</td> <td>1.00</td> <td>1.14</td> <td>1.20</td> <td>1.23</td> <td>1.27</td> </tr> <tr> <td colspan="8" style="text-align:center;"><b>3" Diameters</b></td> </tr> <tr> <td><b>7.5 to 150 V</b></td> <td>0.95</td> <td>0.96</td> <td>1.00</td> <td>1.03</td> <td>1.04</td> <td>1.05</td> <td>1.05</td> </tr> <tr> <td><b>200 &amp; 250 V</b></td> <td>0.85</td> <td>0.88</td> <td>1.00</td> <td>1.11</td> <td>1.15</td> <td>1.18</td> <td>1.18</td> </tr> </tbody> </table> | 45 °C | 55 °C  | 65 °C  | 75 °C | 85 °C  | 95 °C       | 105 °C | 1.66 | 1.52 | 1.37 | 1.20 | 1.00 | 0.75 | 0.36 | Frequency | 50 Hz | 60 Hz | 120 Hz | 360 Hz | 1 kHz | 5 kHz | 10 kHz & up | <b>1 3/8" &amp; 1 3/4" Diameters</b> |  |  |  |  |  |  |  | <b>7.5 to 150 V</b> | 0.91 | 0.93 | 1.00 | 1.06 | 1.08 | 1.09 | 1.09 | <b>200 &amp; 250 V</b> | 0.82 | 0.86 | 1.00 | 1.14 | 1.20 | 1.23 | 1.23 | <b>2" &amp; 2 1/2" Diameters</b> |  |  |  |  |  |  |  | <b>7.5 to 150 V</b> | 0.92 | 0.94 | 1.00 | 1.05 | 1.07 | 1.08 | 1.08 | <b>200 &amp; 250 V</b> | 0.82 | 0.86 | 1.00 | 1.14 | 1.20 | 1.23 | 1.27 | <b>3" Diameters</b> |  |  |  |  |  |  |  | <b>7.5 to 150 V</b> | 0.95 | 0.96 | 1.00 | 1.03 | 1.04 | 1.05 | 1.05 | <b>200 &amp; 250 V</b> | 0.85 | 0.88 | 1.00 | 1.11 | 1.15 | 1.18 | 1.18 |
| 45 °C                            | 55 °C  | 65 °C | 75 °C  | 85 °C  | 95 °C | 105 °C |             |        |      |      |      |      |      |      |      |           |       |       |        |        |       |       |             |                                      |  |  |  |  |  |  |  |                     |      |      |      |      |      |      |      |                        |      |      |      |      |      |      |      |                                  |  |  |  |  |  |  |  |                     |      |      |      |      |      |      |      |                        |      |      |      |      |      |      |      |                     |  |  |  |  |  |  |  |                     |      |      |      |      |      |      |      |                        |      |      |      |      |      |      |      |
| 1.66                             | 1.52   | 1.37  | 1.20   | 1.00   | 0.75  | 0.36   |             |        |      |      |      |      |      |      |      |           |       |       |        |        |       |       |             |                                      |  |  |  |  |  |  |  |                     |      |      |      |      |      |      |      |                        |      |      |      |      |      |      |      |                                  |  |  |  |  |  |  |  |                     |      |      |      |      |      |      |      |                        |      |      |      |      |      |      |      |                     |  |  |  |  |  |  |  |                     |      |      |      |      |      |      |      |                        |      |      |      |      |      |      |      |
| Frequency                        | 50 Hz  | 60 Hz | 120 Hz | 360 Hz | 1 kHz | 5 kHz  | 10 kHz & up |        |      |      |      |      |      |      |      |           |       |       |        |        |       |       |             |                                      |  |  |  |  |  |  |  |                     |      |      |      |      |      |      |      |                        |      |      |      |      |      |      |      |                                  |  |  |  |  |  |  |  |                     |      |      |      |      |      |      |      |                        |      |      |      |      |      |      |      |                     |  |  |  |  |  |  |  |                     |      |      |      |      |      |      |      |                        |      |      |      |      |      |      |      |
|                                  | <b>1 3/8" &amp; 1 3/4" Diameters</b>   |       |        |        |       |        |             |        |      |      |      |      |      |      |      |           |       |       |        |        |       |       |             |                                      |  |  |  |  |  |  |  |                     |      |      |      |      |      |      |      |                        |      |      |      |      |      |      |      |                                  |  |  |  |  |  |  |  |                     |      |      |      |      |      |      |      |                        |      |      |      |      |      |      |      |                     |  |  |  |  |  |  |  |                     |      |      |      |      |      |      |      |                        |      |      |      |      |      |      |      |
| <b>7.5 to 150 V</b>              | 0.91   | 0.93  | 1.00   | 1.06   | 1.08  | 1.09   | 1.09        |        |      |      |      |      |      |      |      |           |       |       |        |        |       |       |             |                                      |  |  |  |  |  |  |  |                     |      |      |      |      |      |      |      |                        |      |      |      |      |      |      |      |                                  |  |  |  |  |  |  |  |                     |      |      |      |      |      |      |      |                        |      |      |      |      |      |      |      |                     |  |  |  |  |  |  |  |                     |      |      |      |      |      |      |      |                        |      |      |      |      |      |      |      |
| <b>200 &amp; 250 V</b>           | 0.82   | 0.86  | 1.00   | 1.14   | 1.20  | 1.23   | 1.23        |        |      |      |      |      |      |      |      |           |       |       |        |        |       |       |             |                                      |  |  |  |  |  |  |  |                     |      |      |      |      |      |      |      |                        |      |      |      |      |      |      |      |                                  |  |  |  |  |  |  |  |                     |      |      |      |      |      |      |      |                        |      |      |      |      |      |      |      |                     |  |  |  |  |  |  |  |                     |      |      |      |      |      |      |      |                        |      |      |      |      |      |      |      |
| <b>2" &amp; 2 1/2" Diameters</b> |  |       |        |        |       |        |             |        |      |      |      |      |      |      |      |           |       |       |        |        |       |       |             |                                      |  |  |  |  |  |  |  |                     |      |      |      |      |      |      |      |                        |      |      |      |      |      |      |      |                                  |  |  |  |  |  |  |  |                     |      |      |      |      |      |      |      |                        |      |      |      |      |      |      |      |                     |  |  |  |  |  |  |  |                     |      |      |      |      |      |      |      |                        |      |      |      |      |      |      |      |
| <b>7.5 to 150 V</b>              | 0.92   | 0.94  | 1.00   | 1.05   | 1.07  | 1.08   | 1.08        |        |      |      |      |      |      |      |      |           |       |       |        |        |       |       |             |                                      |  |  |  |  |  |  |  |                     |      |      |      |      |      |      |      |                        |      |      |      |      |      |      |      |                                  |  |  |  |  |  |  |  |                     |      |      |      |      |      |      |      |                        |      |      |      |      |      |      |      |                     |  |  |  |  |  |  |  |                     |      |      |      |      |      |      |      |                        |      |      |      |      |      |      |      |
| <b>200 &amp; 250 V</b>           | 0.82   | 0.86  | 1.00   | 1.14   | 1.20  | 1.23   | 1.27        |        |      |      |      |      |      |      |      |           |       |       |        |        |       |       |             |                                      |  |  |  |  |  |  |  |                     |      |      |      |      |      |      |      |                        |      |      |      |      |      |      |      |                                  |  |  |  |  |  |  |  |                     |      |      |      |      |      |      |      |                        |      |      |      |      |      |      |      |                     |  |  |  |  |  |  |  |                     |      |      |      |      |      |      |      |                        |      |      |      |      |      |      |      |
| <b>3" Diameters</b>              |  |       |        |        |       |        |             |        |      |      |      |      |      |      |      |           |       |       |        |        |       |       |             |                                      |  |  |  |  |  |  |  |                     |      |      |      |      |      |      |      |                        |      |      |      |      |      |      |      |                                  |  |  |  |  |  |  |  |                     |      |      |      |      |      |      |      |                        |      |      |      |      |      |      |      |                     |  |  |  |  |  |  |  |                     |      |      |      |      |      |      |      |                        |      |      |      |      |      |      |      |
| <b>7.5 to 150 V</b>              | 0.95   | 0.96  | 1.00   | 1.03   | 1.04  | 1.05   | 1.05        |        |      |      |      |      |      |      |      |           |       |       |        |        |       |       |             |                                      |  |  |  |  |  |  |  |                     |      |      |      |      |      |      |      |                        |      |      |      |      |      |      |      |                                  |  |  |  |  |  |  |  |                     |      |      |      |      |      |      |      |                        |      |      |      |      |      |      |      |                     |  |  |  |  |  |  |  |                     |      |      |      |      |      |      |      |                        |      |      |      |      |      |      |      |
| <b>200 &amp; 250 V</b>           | 0.85   | 0.88  | 1.00   | 1.11   | 1.15  | 1.18   | 1.18        |        |      |      |      |      |      |      |      |           |       |       |        |        |       |       |             |                                      |  |  |  |  |  |  |  |                     |      |      |      |      |      |      |      |                        |      |      |      |      |      |      |      |                                  |  |  |  |  |  |  |  |                     |      |      |      |      |      |      |      |                        |      |      |      |      |      |      |      |                     |  |  |  |  |  |  |  |                     |      |      |      |      |      |      |      |                        |      |      |      |      |      |      |      |
| Low Temperature Characteristics  | Impedance ratio: $Z_{-55°C} / Z_{+25°C} \leq 3$  |       |        |        |       |        |             |        |      |      |      |      |      |      |      |           |       |       |        |        |       |       |             |                                      |  |  |  |  |  |  |  |                     |      |      |      |      |      |      |      |                        |      |      |      |      |      |      |      |                                  |  |  |  |  |  |  |  |                     |      |      |      |      |      |      |      |                        |      |      |      |      |      |      |      |                     |  |  |  |  |  |  |  |                     |      |      |      |      |      |      |      |                        |      |      |      |      |      |      |      |
| Endurance Life Test              | 5,000 h at 105 °C and full load<br>ΔCapacitance ±20%<br>ESR 200% of limit<br>DCL 100% of limit   |       |        |        |       |        |             |        |      |      |      |      |      |      |      |           |       |       |        |        |       |       |             |                                      |  |  |  |  |  |  |  |                     |      |      |      |      |      |      |      |                        |      |      |      |      |      |      |      |                                  |  |  |  |  |  |  |  |                     |      |      |      |      |      |      |      |                        |      |      |      |      |      |      |      |                     |  |  |  |  |  |  |  |                     |      |      |      |      |      |      |      |                        |      |      |      |      |      |      |      |
| Shelf Life Test                  | 500 h at 105 °C<br>Capacitance 100% of limit<br>ESR 100% of limit<br>DCL 100% of limit   |       |        |        |       |        |             |        |      |      |      |      |      |      |      |           |       |       |        |        |       |       |             |                                      |  |  |  |  |  |  |  |                     |      |      |      |      |      |      |      |                        |      |      |      |      |      |      |      |                                  |  |  |  |  |  |  |  |                     |      |      |      |      |      |      |      |                        |      |      |      |      |      |      |      |                     |  |  |  |  |  |  |  |                     |      |      |      |      |      |      |      |                        |      |      |      |      |      |      |      |
| Vibration                        | 10 to 55 Hz, 0.06" and 10 g max, 1.5 h each of two axis  |       |        |        |       |        |             |        |      |      |      |      |      |      |      |           |       |       |        |        |       |       |             |                                      |  |  |  |  |  |  |  |                     |      |      |      |      |      |      |      |                        |      |      |      |      |      |      |      |                                  |  |  |  |  |  |  |  |                     |      |      |      |      |      |      |      |                        |      |      |      |      |      |      |      |                     |  |  |  |  |  |  |  |                     |      |      |      |      |      |      |      |                        |      |      |      |      |      |      |      |
| <b>RoHS Compliant</b>            |  |       |        |        |       |        |             |        |      |      |      |      |      |      |      |           |       |       |        |        |       |       |             |                                      |  |  |  |  |  |  |  |                     |      |      |      |      |      |      |      |                        |      |      |      |      |      |      |      |                                  |  |  |  |  |  |  |  |                     |      |      |      |      |      |      |      |                        |      |      |      |      |      |      |      |                     |  |  |  |  |  |  |  |                     |      |      |      |      |      |      |      |                        |      |      |      |      |      |      |      |

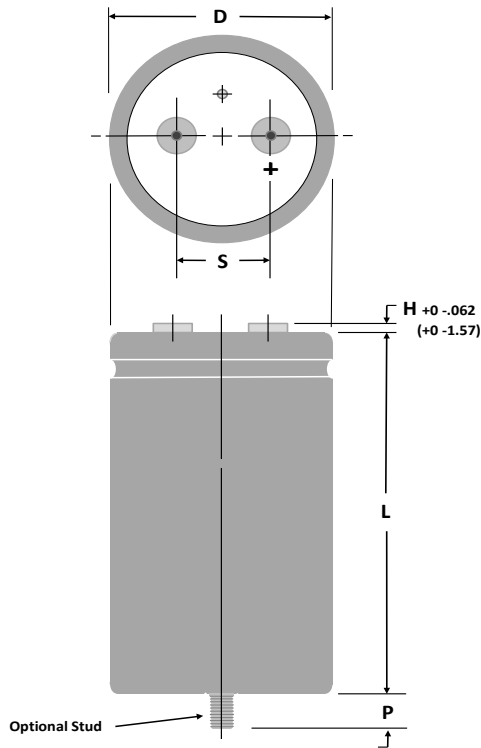
# Type 101C -55 °C to 105 °C Low-ESR, Wide-Temperature Grade

## Part Numbering System

|             |  |  |                      |                  |   |  |   |
|-------------|--|--|----------------------|------------------|---|--|---|
| 101C        | 183  | T  | 250                  | DG               | 2   | D  | S   |
|             |  |  |                      |                  |   |  |   |
| <b>Type</b> | <b>Capacitance</b>   | <b>Tolerance</b>   | <b>Voltage</b>       | <b>Case Code</b> | <b>Insulation</b>   | <b>Terminal</b>  | <b>Can Style</b>  |
|             | <b>100 = 10 <math>\mu</math>F</b><br><b>101 = 100 <math>\mu</math>F</b><br><b>183 = 18,000 <math>\mu</math>F</b> | <b>M = <math>\pm</math>20%</b><br><b>U = -10%+75%</b><br><b>T = -10%+50%</b> | <b>250 = 250 Vdc</b> |                  | <b>0 = None</b><br><b>1 = Polyester</b><br><b>2 = PVC</b> | <b>A = Low Post</b><br><b>B = High Post</b><br><b>D = High Current</b> | <b>Blank = Standard Can</b><br><b>S = Stud Bottom</b><br><b>P = Stud with Thermal Pad</b> |

Standard insulation is 0.008-in PVC sleeve with 0.01-in polypropylene end disk.

## Outline Drawing



## Stud Dimensions

| Case Diam. | Stud Thread | P $\pm$ 0.039" ( $\pm$ 1.0 mm) |
|------------|-------------|--------------------------------|
| 1.375      | M8          | 0.470" (12.0)                  |
| 1.750      | M8          | 0.470" (12.0)                  |
| 2.000      | M12         | 0.630" (16.0)                  |
| 2.500      | M12         | 0.630" (16.0)                  |
| 3.000      | M12         | 0.630" (16.0)                  |

NOTE: With the stud-mount feature, a thermally-conductive disk can be inserted in the bottom flush with the outer insulating sleeve. This reduces the thermal resistance through the can bottom by 0.3 °C/W. Can Style P.

## Terminal Dimensions

| Terminal Style    | For Case             |      | Post Diameter |      | H max |     | min Full Thread Thread | min Full Thread |     | Torque |      |
|-------------------|----------------------|------|---------------|------|-------|-----|------------------------|-----------------|-----|--------|------|
|                   | Diameters            | Code | in            | mm   | in    | mm  |                        | in              | mm  | in-lb  | N-m  |
| Low Post          | 1 $\frac{3}{8}$ to 3 | A    | 0.314         | 8.0  | 0.094 | 2.4 | 10-32                  | 0.218           | 5.5 | 25     | 2.82 |
| High Post         | 1 $\frac{3}{8}$ to 3 | B    | 0.314         | 8.0  | 0.281 | 7.1 | 10-32                  | 0.375           | 9.5 | 25     | 2.82 |
| High Current, Med | 2 $\frac{1}{2}$ to 3 | D    | 0.434         | 11.0 | 0.190 | 4.8 | $\frac{1}{4}$ -28      | 0.312           | 7.9 | 50     | 5.65 |

# Type 101C -55 °C to 105 °C Low-ESR, Wide-Temperature Grade

## Uninsulated Case Dimensions

For insulated case, add 0.024"(0.610 mm) to "D" and 0.030"(0.762 mm) to length.

| Case Code | Diam. (D) |       | Length (L) |        | Terminals (S) |       | Typical Weight |      |
|-----------|-----------|-------|------------|--------|---------------|-------|----------------|------|
|           | ±.031     | ±.78  | ±.062      | ±1.57  | ±0.015        | ±.38  | oz             | g    |
|           | Inches    | mm    | Inches     | mm     | Inches        | mm    |                |      |
| AK        | 1.375     | 34.93 | 1.625      | 41.28  | 0.50          | 12.70 | 1.9            | 54   |
| AA        | 1.375     | 34.93 | 2.125      | 53.98  | 0.50          | 12.70 | 2.0            | 57   |
| AH        | 1.375     | 34.93 | 2.625      | 66.68  | 0.50          | 12.70 | 2.7            | 77   |
| AB        | 1.375     | 34.93 | 3.125      | 79.38  | 0.50          | 12.70 | 3.3            | 94   |
| AJ        | 1.375     | 34.93 | 3.625      | 92.08  | 0.50          | 12.70 | 3.8            | 108  |
| AC        | 1.375     | 34.93 | 4.125      | 104.78 | 0.50          | 12.70 | 4.4            | 125  |
| AD        | 1.375     | 34.93 | 4.625      | 117.48 | 0.50          | 12.70 | 5.1            | 145  |
| AE        | 1.375     | 34.93 | 5.125      | 130.18 | 0.50          | 12.70 | 6.8            | 193  |
| AF        | 1.375     | 34.93 | 5.625      | 142.88 | 0.50          | 12.70 | 8.1            | 230  |
| EA        | 1.750     | 44.45 | 2.125      | 53.98  | 0.75          | 19.05 | 2.7            | 76   |
| EH        | 1.750     | 44.45 | 2.625      | 66.68  | 0.75          | 19.05 | 3.8            | 108  |
| EB        | 1.750     | 44.45 | 3.125      | 79.38  | 0.75          | 19.05 | 5.1            | 145  |
| EJ        | 1.750     | 44.45 | 3.625      | 92.08  | 0.75          | 19.05 | 6.8            | 193  |
| EC        | 1.750     | 44.45 | 4.125      | 104.78 | 0.75          | 19.05 | 8.1            | 230  |
| ED        | 1.750     | 44.45 | 4.625      | 117.48 | 0.75          | 19.05 | 9.0            | 255  |
| EE        | 1.750     | 44.45 | 5.125      | 130.18 | 0.75          | 19.05 | 9.5            | 269  |
| EF        | 1.750     | 44.45 | 5.625      | 142.88 | 0.75          | 19.05 | 10.5           | 298  |
| BA        | 2.000     | 50.80 | 2.125      | 53.98  | 0.875         | 22.23 | 5.4            | 153  |
| BH        | 2.000     | 50.80 | 2.625      | 66.68  | 0.875         | 22.23 | 6.1            | 173  |
| BB        | 2.000     | 50.80 | 3.125      | 79.38  | 0.875         | 22.23 | 6.8            | 193  |
| BJ        | 2.000     | 50.80 | 3.625      | 92.08  | 0.875         | 22.23 | 8.2            | 232  |
| BC        | 2.000     | 50.80 | 4.125      | 104.78 | 0.875         | 22.23 | 9.5            | 269  |
| BD        | 2.000     | 50.80 | 4.625      | 117.48 | 0.875         | 22.23 | 10.3           | 292  |
| BE        | 2.000     | 50.80 | 5.125      | 130.18 | 0.875         | 22.23 | 10.7           | 303  |
| BF        | 2.000     | 50.80 | 5.625      | 142.88 | 0.875         | 22.23 | 13.0           | 369  |
| CH        | 2.500     | 63.50 | 2.625      | 66.68  | 1.125         | 28.58 | 9.2            | 261  |
| CB        | 2.500     | 63.50 | 3.125      | 79.38  | 1.125         | 28.58 | 10.4           | 295  |
| CJ        | 2.500     | 63.50 | 3.625      | 92.08  | 1.125         | 28.58 | 12.7           | 361  |
| CC        | 2.500     | 63.50 | 4.125      | 104.78 | 1.125         | 28.58 | 15.0           | 425  |
| CD        | 2.500     | 63.50 | 4.625      | 117.48 | 1.125         | 28.58 | 17.2           | 488  |
| CE        | 2.500     | 63.50 | 5.125      | 130.18 | 1.125         | 28.58 | 19.3           | 547  |
| CF        | 2.500     | 63.50 | 5.625      | 142.88 | 1.125         | 28.58 | 21.4           | 607  |
| DB        | 3.000     | 76.20 | 3.125      | 79.38  | 1.25          | 31.75 | 16.7           | 473  |
| DJ        | 3.000     | 76.20 | 3.625      | 92.08  | 1.25          | 31.75 | 20.0           | 567  |
| DC        | 3.000     | 76.20 | 4.125      | 104.78 | 1.25          | 31.75 | 22.2           | 629  |
| DD        | 3.000     | 76.20 | 4.625      | 117.48 | 1.25          | 31.75 | 25.5           | 723  |
| DE        | 3.000     | 76.20 | 5.125      | 130.18 | 1.25          | 31.75 | 30.0           | 850  |
| DF        | 3.000     | 76.20 | 5.625      | 142.88 | 1.25          | 31.75 | 31.9           | 904  |
| DP        | 3.000     | 76.20 | 5.875      | 149.23 | 1.25          | 31.75 | 32.8           | 931  |
| DN        | 3.000     | 76.20 | 7.625      | 193.68 | 1.25          | 31.75 | 39.5           | 1119 |
| DG        | 3.000     | 76.20 | 8.625      | 219.08 | 1.25          | 31.75 | 43.3           | 1227 |

# Type 101C -55 °C to 105 °C Low-ESR, Wide-Temperature Grade

## Ratings

| Cap.<br>(µF)                  | Catalog<br>Part Number | ESR Max                   |                          | Nominal Size<br>D x L<br>(in) |
|-------------------------------|------------------------|---------------------------|--------------------------|-------------------------------|
|                               |                        | @ 25 °C<br>120 Hz<br>(mΩ) | @ 85 °C<br>120 Hz<br>(A) |                               |
| <b>7.5 Vdc (10 Vdc Surge)</b> |                        |                           |                          |                               |
| 28,000                        | 101C283U7R5AK2B        | 38.2                      | 6.1                      | 1 3/8 x 1 5/8                 |
| 47,000                        | 101C473U7R5AA2B        | 25.0                      | 8.7                      | 1 3/8 x 2 1/8                 |
| 66,000                        | 101C663U7R5AH2B        | 19.0                      | 11.4                     | 1 3/8 x 2 5/8                 |
| 79,000                        | 101C793U7R5BA2B        | 18.3                      | 14.0                     | 2 x 2 1/8                     |
| 84,000                        | 101C843U7R5EA2B        | 22.6                      | 11.6                     | 1 3/4 x 2 1/8                 |
| 84,000                        | 101C843U7R5AB2B        | 15.4                      | 13.8                     | 1 3/8 x 3 1/8                 |
| 100,000                       | 101C104U7R5AJ2B        | 13.2                      | 15.9                     | 1 3/8 x 3 5/8                 |
| 120,000                       | 101C124U7R5EH2B        | 16.5                      | 14.7                     | 1 3/4 x 2 5/8                 |
| 120,000                       | 101C124U7R5BH2B        | 12.4                      | 18.3                     | 2 x 2 5/8                     |
| 120,000                       | 101C124U7R5AC2B        | 12.1                      | 17.4                     | 1 3/8 x 4 1/8                 |
| 140,000                       | 101C144U7R5AD2B        | 10.8                      | 19.2                     | 1 3/8 x 4 5/8                 |
| 160,000                       | 101C164U7R5EB2B        | 13.2                      | 17.5                     | 1 3/4 x 3 1/8                 |
| 160,000                       | 101C164U7R5AE2B        | 9.9                       | 20.9                     | 1 3/8 x 5 1/8                 |
| 170,000                       | 101C174U7R5BB2B        | 8.5                       | 23.6                     | 2 x 3 1/8                     |
| 180,000                       | 101C184U7R5AF2B        | 9.1                       | 22.6                     | 1 3/8 x 5 5/8                 |
| 200,000                       | 101C204U7R5EJ2B        | 11.1                      | 20.1                     | 1 3/4 x 3 5/8                 |
| 210,000                       | 101C214U7R5CH2B        | 9.4                       | 24.2                     | 2 1/2 x 2 5/8                 |
| 220,000                       | 101C224U7R5EC2B        | 8.2                       | 24.4                     | 1 3/4 x 4 1/8                 |
| 220,000                       | 101C224U7R5BJ2B        | 7.6                       | 26.2                     | 2 x 3 5/8                     |
| 260,000                       | 101C264U7R5BC2B        | 6.0                       | 31.0                     | 2 x 4 1/8                     |
| 270,000                       | 101C274U7R5ED2B        | 8.7                       | 24.7                     | 1 3/4 x 4 5/8                 |
| 280,000                       | 101C284U7R5CB2B        | 7.2                       | 29.4                     | 2 1/2 x 3 1/8                 |
| 300,000                       | 101C304U7R5BD2B        | 5.7                       | 32.9                     | 2 x 4 5/8                     |
| 310,000                       | 101C314U7R5EE2B        | 7.9                       | 26.8                     | 1 3/4 x 5 1/8                 |
| 350,000                       | 101C354U7R5EF2B        | 7.4                       | 28.8                     | 1 3/4 x 5 5/8                 |
| 350,000                       | 101C354U7R5BE2B        | 5.2                       | 35.9                     | 2 x 5 1/8                     |
| 360,000                       | 101C364U7R5CJ2D        | 5.9                       | 34.2                     | 2 1/2 x 3 5/8                 |
| 390,000                       | 101C394U7R5DB2D        | 7.1                       | 33.1                     | 3 x 3 1/8                     |
| 390,000                       | 101C394U7R5BF2B        | 4.9                       | 38.2                     | 2 x 5 5/8                     |
| 430,000                       | 101C434U7R5CC2D        | 4.2                       | 42.4                     | 2 1/2 x 4 1/8                 |
| 490,000                       | 101C494U7R5DJ2D        | 5.8                       | 38.5                     | 3 x 3 5/8                     |
| 490,000                       | 101C494U7R5CD2D        | 4.4                       | 42.8                     | 2 1/2 x 4 5/8                 |
| 570,000                       | 101C574U7R5CE2D        | 4.0                       | 46.7                     | 2 1/2 x 5 1/8                 |
| 610,000                       | 101C614U7R5DC2D        | 4.6                       | 45.2                     | 3 x 4 1/8                     |
| 640,000                       | 101C644U7R5CF2D        | 3.4                       | 52.1                     | 2 1/2 x 5 5/8                 |
| 700,000                       | 101C704U7R5DD2D        | 4.0                       | 50.0                     | 3 x 4 5/8                     |
| 810,000                       | 101C814U7R5DE2D        | 3.7                       | 53.6                     | 3 x 5 1/8                     |
| 910,000                       | 101C914U7R5DF2D        | 3.4                       | 57.8                     | 3 x 5 5/8                     |
| 960,000                       | 101C964U7R5DP2D        | 3.4                       | 58.8                     | 3 x 5 7/8                     |
| 1,300,000                     | 101C135U7R5DN2D        | 2.8                       | 70.2                     | 3 x 7 5/8                     |
| 1,500,000                     | 101C155U7R5DG2D        | 2.5                       | 76.4                     | 3 x 8 5/8                     |

| Cap.<br>(µF)                 | Catalog<br>Part Number | ESR Max                   |                          | Nominal Size<br>D x L<br>(in) |
|------------------------------|------------------------|---------------------------|--------------------------|-------------------------------|
|                              |                        | @ 25 °C<br>120 Hz<br>(mΩ) | @ 85 °C<br>120 Hz<br>(A) |                               |
| <b>10 Vdc (15 Vdc Surge)</b> |                        |                           |                          |                               |
| 25,000                       | 101C253U010AK2B        | 36.0                      | 6.2                      | 1 3/8 x 1 5/8                 |
| 41,000                       | 101C413U010AA2B        | 23.9                      | 8.9                      | 1 3/8 x 2 1/8                 |
| 58,000                       | 101C583U010AH2B        | 18.1                      | 11.7                     | 1 3/8 x 2 5/8                 |
| 68,000                       | 101C683U010BA2B        | 17.8                      | 14.2                     | 2 x 2 1/8                     |
| 69,000                       | 101C693U010EA2B        | 22.8                      | 11.6                     | 1 3/4 x 2 1/8                 |
| 74,000                       | 101C743U010AB2B        | 14.6                      | 14.2                     | 1 3/8 x 3 1/8                 |
| 89,000                       | 101C893U010AJ2B        | 12.5                      | 16.4                     | 1 3/8 x 3 5/8                 |
| 99,000                       | 101C993U010EH2B        | 16.6                      | 14.6                     | 1 3/4 x 2 5/8                 |
| 110,000                      | 101C114U010BH2B        | 12.1                      | 18.6                     | 2 x 2 5/8                     |
| 110,000                      | 101C114U010AC2B        | 11.3                      | 18.1                     | 1 3/8 x 4 1/8                 |
| 120,000                      | 101C124U010AD2B        | 10.3                      | 19.7                     | 1 3/8 x 4 5/8                 |
| 130,000                      | 101C134U010EB2B        | 13.2                      | 17.4                     | 1 3/4 x 3 1/8                 |
| 140,000                      | 101C144U010AE2B        | 9.4                       | 21.4                     | 1 3/8 x 5 1/8                 |
| 150,000                      | 101C154U010BB2B        | 8.1                       | 24.2                     | 2 x 3 1/8                     |
| 160,000                      | 101C164U010EJ2B        | 11.1                      | 20.0                     | 1 3/4 x 3 5/8                 |
| 160,000                      | 101C164U010AF2B        | 8.7                       | 23.1                     | 1 3/8 x 5 5/8                 |
| 180,000                      | 101C184U010CH2B        | 9.2                       | 24.5                     | 2 1/2 x 2 5/8                 |
| 180,000                      | 101C184U010BJ2B        | 7.4                       | 26.5                     | 2 x 3 5/8                     |
| 190,000                      | 101C194U010EC2B        | 8.2                       | 24.4                     | 1 3/4 x 4 1/8                 |
| 220,000                      | 101C224U010ED2B        | 8.7                       | 24.7                     | 1 3/4 x 4 5/8                 |
| 230,000                      | 101C234U010BC2B        | 5.7                       | 31.7                     | 2 x 4 1/8                     |
| 240,000                      | 101C244U010CB2B        | 7.0                       | 29.7                     | 2 1/2 x 3 1/8                 |
| 250,000                      | 101C254U010EE2B        | 8.0                       | 26.7                     | 1 3/4 x 5 1/8                 |
| 260,000                      | 101C264U010BD2B        | 5.5                       | 33.5                     | 2 x 4 5/8                     |
| 280,000                      | 101C284U010EF2B        | 7.4                       | 28.7                     | 1 3/4 x 5 5/8                 |
| 300,000                      | 101C304U010CJ2D        | 5.7                       | 34.6                     | 2 1/2 x 3 5/8                 |
| 300,000                      | 101C304U010BE2B        | 5.0                       | 36.5                     | 2 x 5 1/8                     |
| 340,000                      | 101C344U010BF2B        | 4.7                       | 38.9                     | 2 x 5 5/8                     |
| 360,000                      | 101C364U010DB2D        | 7.0                       | 33.4                     | 3 x 3 1/8                     |
| 370,000                      | 101C374U010CC2D        | 4.0                       | 43.0                     | 2 1/2 x 4 1/8                 |
| 430,000                      | 101C434U010CD2D        | 4.3                       | 43.5                     | 2 1/2 x 4 5/8                 |
| 450,000                      | 101C454U010DJ2D        | 5.7                       | 38.8                     | 3 x 3 5/8                     |
| 500,000                      | 101C504U010CE2D        | 3.8                       | 47.5                     | 2 1/2 x 5 1/8                 |
| 550,000                      | 101C554U010DC2D        | 4.5                       | 45.5                     | 3 x 4 1/8                     |
| 560,000                      | 101C564U010CF2D        | 3.3                       | 53.0                     | 2 1/2 x 5 5/8                 |
| 640,000                      | 101C644U010DD2D        | 4.0                       | 50.4                     | 3 x 4 5/8                     |
| 740,000                      | 101C744U010DE2D        | 3.7                       | 54.0                     | 3 x 5 1/8                     |
| 840,000                      | 101C844U010DF2D        | 3.3                       | 58.2                     | 3 x 5 5/8                     |
| 880,000                      | 101C884U010DP2D        | 3.3                       | 59.2                     | 3 x 5 7/8                     |
| 1,200,000                    | 101C125U010DN2D        | 2.8                       | 70.7                     | 3 x 7 5/8                     |
| 1,400,000                    | 101C145U010DG2D        | 2.5                       | 76.9                     | 3 x 8 5/8                     |

# Type 101C -55 °C to 105 °C Low-ESR, Wide-Temperature Grade

| Cap.<br>(µF)                 | Catalog<br>Part Number | ESR Max                   |                          | Ripple Max                |                          | Nominal Size<br>D x L<br>(in) |
|------------------------------|------------------------|---------------------------|--------------------------|---------------------------|--------------------------|-------------------------------|
|                              |                        | @ 25 °C<br>120 Hz<br>(mΩ) | @ 85 °C<br>120 Hz<br>(A) | @ 25 °C<br>120 Hz<br>(mΩ) | @ 85 °C<br>120 Hz<br>(A) |                               |
| <b>16 Vdc (25 Vdc Surge)</b> |                        |                           |                          |                           |                          |                               |
| 16,000                       | 101C163U016AK2B        | 39.2                      | 6.0                      | 1 3/8 x 1 5/8             |                          |                               |
| 27,000                       | 101C273U016AA2B        | 26.0                      | 8.5                      | 1 3/8 x 2 1/8             |                          |                               |
| 38,000                       | 101C383U016AH2B        | 20.0                      | 11.1                     | 1 3/8 x 2 5/8             |                          |                               |
| 45,000                       | 101C453U016BA2B        | 19.1                      | 13.7                     | 2 x 2 1/8                 |                          |                               |
| 46,000                       | 101C463U016EA2B        | 24.3                      | 11.2                     | 1 3/4 x 2 1/8             |                          |                               |
| 49,000                       | 101C493U016AB2B        | 15.9                      | 13.6                     | 1 3/8 x 3 1/8             |                          |                               |
| 59,000                       | 101C593U016AJ2B        | 13.5                      | 15.7                     | 1 3/8 x 3 5/8             |                          |                               |
| 66,000                       | 101C663U016EH2B        | 17.7                      | 14.2                     | 1 3/4 x 2 5/8             |                          |                               |
| 71,000                       | 101C713U016BH2B        | 13.0                      | 18.0                     | 2 x 2 5/8                 |                          |                               |
| 73,000                       | 101C733U016AC2B        | 12.2                      | 17.4                     | 1 3/8 x 4 1/8             |                          |                               |
| 82,000                       | 101C823U016AD2B        | 11.1                      | 19.0                     | 1 3/8 x 4 5/8             |                          |                               |
| 86,000                       | 101C863U016EB2B        | 14.1                      | 16.9                     | 1 3/4 x 3 1/8             |                          |                               |
| 93,000                       | 101C933U016AE2B        | 10.1                      | 20.6                     | 1 3/8 x 5 1/8             |                          |                               |
| 100,000                      | 101C104U016BB2B        | 8.6                       | 23.4                     | 2 x 3 1/8                 |                          |                               |
| 110,000                      | 101C114U016EJ2B        | 11.8                      | 19.4                     | 1 3/4 x 3 5/8             |                          |                               |
| 110,000                      | 101C114U016AF2B        | 9.3                       | 22.3                     | 1 3/8 x 5 5/8             |                          |                               |
| 120,000                      | 101C124U016CH2B        | 9.8                       | 23.7                     | 2 1/2 x 2 5/8             |                          |                               |
| 120,000                      | 101C124U016BJ2B        | 8.0                       | 25.7                     | 2 x 3 5/8                 |                          |                               |
| 130,000                      | 101C134U016EC2B        | 8.6                       | 23.8                     | 1 3/4 x 4 1/8             |                          |                               |
| 150,000                      | 101C154U016ED2B        | 9.2                       | 24.0                     | 1 3/4 x 4 5/8             |                          |                               |
| 160,000                      | 101C164U016CB2B        | 7.5                       | 28.9                     | 2 1/2 x 3 1/8             |                          |                               |
| 160,000                      | 101C164U016BC2B        | 6.0                       | 30.9                     | 2 x 4 1/8                 |                          |                               |
| 170,000                      | 101C174U016EE2B        | 8.4                       | 26.0                     | 1 3/4 x 5 1/8             |                          |                               |
| 170,000                      | 101C174U016BD2B        | 5.9                       | 32.5                     | 2 x 4 5/8                 |                          |                               |
| 190,000                      | 101C194U016EF2B        | 7.8                       | 28.0                     | 1 3/4 x 5 5/8             |                          |                               |
| 200,000                      | 101C204U016CJ2D        | 6.1                       | 33.6                     | 2 1/2 x 3 5/8             |                          |                               |
| 200,000                      | 101C204U016BE2B        | 5.3                       | 35.4                     | 2 x 5 1/8                 |                          |                               |
| 230,000                      | 101C234U016BF2B        | 4.9                       | 38.0                     | 2 x 5 5/8                 |                          |                               |
| 240,000                      | 101C244U016DB2D        | 7.3                       | 32.7                     | 3 x 3 1/8                 |                          |                               |
| 250,000                      | 101C254U016CC2D        | 4.3                       | 41.9                     | 2 1/2 x 4 1/8             |                          |                               |
| 290,000                      | 101C294U016CD2D        | 4.5                       | 42.3                     | 2 1/2 x 4 5/8             |                          |                               |
| 300,000                      | 101C304U016DJ2D        | 5.9                       | 38.1                     | 3 x 3 5/8                 |                          |                               |
| 330,000                      | 101C334U016CE2D        | 4.0                       | 46.2                     | 2 1/2 x 5 1/8             |                          |                               |
| 360,000                      | 101C364U016DC2D        | 4.7                       | 44.6                     | 3 x 4 1/8                 |                          |                               |
| 370,000                      | 101C374U016CF2D        | 3.4                       | 51.6                     | 2 1/2 x 5 5/8             |                          |                               |
| 430,000                      | 101C434U016DD2D        | 4.1                       | 49.5                     | 3 x 4 5/8                 |                          |                               |
| 490,000                      | 101C494U016DE2D        | 3.8                       | 53.0                     | 3 x 5 1/8                 |                          |                               |
| 560,000                      | 101C564U016DF2D        | 3.5                       | 57.2                     | 3 x 5 5/8                 |                          |                               |
| 590,000                      | 101C594U016DP2D        | 3.4                       | 58.2                     | 3 x 5 7/8                 |                          |                               |
| 800,000                      | 101C804U016DN2D        | 2.9                       | 69.6                     | 3 x 7 5/8                 |                          |                               |
| 920,000                      | 101C924U016DG2D        | 2.6                       | 75.8                     | 3 x 8 5/8                 |                          |                               |

| Cap.<br>(µF)                 | Catalog<br>Part Number | ESR Max                   |                          | Ripple Max                |                          | Nominal Size<br>D x L<br>(in) |
|------------------------------|------------------------|---------------------------|--------------------------|---------------------------|--------------------------|-------------------------------|
|                              |                        | @ 25 °C<br>120 Hz<br>(mΩ) | @ 85 °C<br>120 Hz<br>(A) | @ 25 °C<br>120 Hz<br>(mΩ) | @ 85 °C<br>120 Hz<br>(A) |                               |
| <b>20 Vdc (30 Vdc Surge)</b> |                        |                           |                          |                           |                          |                               |
| 13,000                       | 101C133U020AK2B        | 39.2                      | 6.0                      | 1 3/8 x 1 5/8             |                          |                               |
| 21,000                       | 101C213U020AA2B        | 26.0                      | 8.5                      | 1 3/8 x 2 1/8             |                          |                               |
| 29,000                       | 101C293U020AH2B        | 20.0                      | 11.1                     | 1 3/8 x 2 5/8             |                          |                               |
| 34,000                       | 101C343U020BA2B        | 19.1                      | 13.7                     | 2 x 2 1/8                 |                          |                               |
| 35,000                       | 101C353U020EA2B        | 24.3                      | 11.2                     | 1 3/4 x 2 1/8             |                          |                               |
| 38,000                       | 101C383U020AB2B        | 15.9                      | 13.6                     | 1 3/8 x 3 1/8             |                          |                               |
| 45,000                       | 101C453U020AJ2B        | 13.5                      | 15.7                     | 1 3/8 x 3 5/8             |                          |                               |
| 50,000                       | 101C503U020EH2B        | 17.7                      | 14.2                     | 1 3/4 x 2 5/8             |                          |                               |
| 54,000                       | 101C543U020BH2B        | 13.0                      | 18.0                     | 2 x 2 5/8                 |                          |                               |
| 55,000                       | 101C553U020AC2B        | 12.2                      | 17.4                     | 1 3/8 x 4 1/8             |                          |                               |
| 62,000                       | 101C623U020AD2B        | 11.1                      | 19.0                     | 1 3/8 x 4 5/8             |                          |                               |
| 66,000                       | 101C663U020EB2B        | 14.1                      | 16.9                     | 1 3/4 x 3 1/8             |                          |                               |
| 71,000                       | 101C713U020AE2B        | 10.1                      | 20.6                     | 1 3/8 x 5 1/8             |                          |                               |
| 77,000                       | 101C773U020BB2B        | 8.6                       | 23.4                     | 2 x 3 1/8                 |                          |                               |
| 80,000                       | 101C803U020AF2B        | 9.3                       | 22.3                     | 1 3/8 x 5 5/8             |                          |                               |
| 81,000                       | 101C813U020EJ2B        | 11.8                      | 19.4                     | 1 3/4 x 3 5/8             |                          |                               |
| 89,000                       | 101C893U020CH2B        | 9.8                       | 23.7                     | 2 1/2 x 2 5/8             |                          |                               |
| 94,000                       | 101C943U020BJ2B        | 8.0                       | 25.7                     | 2 x 3 5/8                 |                          |                               |
| 98,000                       | 101C983U020EC2B        | 8.6                       | 23.8                     | 1 3/4 x 4 1/8             |                          |                               |
| 110,000                      | 101C114U020ED2B        | 9.2                       | 24.0                     | 1 3/4 x 4 5/8             |                          |                               |
| 120,000                      | 101C124U020CB2B        | 7.5                       | 28.9                     | 2 1/2 x 3 1/8             |                          |                               |
| 120,000                      | 101C124U020BC2B        | 6.0                       | 30.9                     | 2 x 4 1/8                 |                          |                               |
| 130,000                      | 101C134U020EE2B        | 8.4                       | 26.0                     | 1 3/4 x 5 1/8             |                          |                               |
| 130,000                      | 101C134U020BD2B        | 5.9                       | 32.5                     | 2 x 4 5/8                 |                          |                               |
| 140,000                      | 101C144U020EF2B        | 7.8                       | 28.0                     | 1 3/4 x 5 5/8             |                          |                               |
| 150,000                      | 101C154U020CJ2D        | 6.1                       | 33.6                     | 2 1/2 x 3 5/8             |                          |                               |
| 150,000                      | 101C154U020BE2B        | 5.3                       | 35.4                     | 2 x 5 1/8                 |                          |                               |
| 180,000                      | 101C184U020DB2D        | 7.3                       | 32.7                     | 3 x 3 1/8                 |                          |                               |
| 180,000                      | 101C184U020BF2B        | 4.9                       | 38.0                     | 2 x 5 5/8                 |                          |                               |
| 190,000                      | 101C194U020CC2D        | 4.3                       | 41.9                     | 2 1/2 x 4 1/8             |                          |                               |
| 220,000                      | 101C224U020CD2D        | 4.5                       | 42.3                     | 2 1/2 x 4 5/8             |                          |                               |
| 230,000                      | 101C234U020DJ2D        | 5.9                       | 38.1                     | 3 x 3 5/8                 |                          |                               |
| 250,000                      | 101C254U020CE2D        | 4.0                       | 46.2                     | 2 1/2 x 5 1/8             |                          |                               |
| 280,000                      | 101C284U020DC2D        | 4.7                       | 44.6                     | 3 x 4 1/8                 |                          |                               |
| 280,000                      | 101C284U020CF2D        | 3.4                       | 51.6                     | 2 1/2 x 5 5/8             |                          |                               |
| 330,000                      | 101C334U020DD2D        | 4.1                       | 49.5                     | 3 x 4 5/8                 |                          |                               |
| 380,000                      | 101C384U020DE2D        | 3.8                       | 53.0                     | 3 x 5 1/8                 |                          |                               |
| 420,000                      | 101C424U020DF2D        | 3.5                       | 57.2                     | 3 x 5 5/8                 |                          |                               |
| 450,000                      | 101C454U020DP2D        | 3.4                       | 58.2                     | 3 x 5 7/8                 |                          |                               |
| 610,000                      | 101C614U020DN2D        | 2.9                       | 69.6                     | 3 x 7 5/8                 |                          |                               |
| 710,000                      | 101C714U020DG2D        | 2.6                       | 75.5                     | 3 x 8 5/8                 |                          |                               |

# Type 101C -55 °C to 105 °C Low-ESR, Wide-Temperature Grade

| Cap.<br>(µF)                 | Catalog<br>Part Number | ESR Max        | Ripple Max    | Nominal Size<br>D x L<br>(in) |
|------------------------------|------------------------|----------------|---------------|-------------------------------|
|                              |                        | @ 25 °C        | @ 85 °C       |                               |
|                              |                        | 120 Hz<br>(mΩ) | 120 Hz<br>(A) |                               |
| <b>25 Vdc (40 Vdc Surge)</b> |                        |                |               |                               |
| 9,900                        | 101C992U025AK2B        | 42.6           | 5.7           | 1 3/8 x 1 5/8                 |
| 16,000                       | 101C163U025AA2B        | 28.2           | 8.2           | 1 3/8 x 2 1/8                 |
| 23,000                       | 101C233U025AH2B        | 20.9           | 10.8          | 1 3/8 x 2 5/8                 |
| 27,000                       | 101C273U025EA2B        | 25.1           | 11.0          | 1 3/4 x 2 1/8                 |
| 27,000                       | 101C273U025BA2B        | 19.9           | 13.5          | 2 x 2 1/8                     |
| 30,000                       | 101C303U025AB2B        | 16.6           | 13.3          | 1 3/8 x 3 1/8                 |
| 35,000                       | 101C353U025AJ2B        | 14.2           | 15.4          | 1 3/8 x 3 5/8                 |
| 39,000                       | 101C393U025EH2B        | 18.3           | 13.9          | 1 3/4 x 2 5/8                 |
| 42,000                       | 101C423U025BH2B        | 13.5           | 17.6          | 2 x 2 5/8                     |
| 43,000                       | 101C433U025AC2B        | 12.7           | 17.0          | 1 3/8 x 4 1/8                 |
| 49,000                       | 101C493U025AD2B        | 11.6           | 18.6          | 1 3/8 x 4 5/8                 |
| 52,000                       | 101C523U025EB2B        | 14.5           | 16.6          | 1 3/4 x 3 1/8                 |
| 56,000                       | 101C563U025AE2B        | 10.6           | 20.2          | 1 3/8 x 5 1/8                 |
| 60,000                       | 101C603U025BB2B        | 9.0            | 22.9          | 2 x 3 1/8                     |
| 63,000                       | 101C633U025AF2B        | 9.7            | 21.9          | 1 3/8 x 5 5/8                 |
| 64,000                       | 101C643U025EJ2B        | 12.2           | 19.1          | 1 3/4 x 3 5/8                 |
| 70,000                       | 101C703U025CH2B        | 10.1           | 23.3          | 2 1/2 x 2 5/8                 |
| 73,000                       | 101C733U025BJ2B        | 8.3            | 25.2          | 2 x 3 5/8                     |
| 77,000                       | 101C773U025EC2B        | 9.9            | 22.2          | 1 3/4 x 4 1/8                 |
| 88,000                       | 101C883U025ED2B        | 9.5            | 23.6          | 1 3/4 x 4 5/8                 |
| 90,000                       | 101C903U025BC2B        | 6.4            | 30.0          | 2 x 4 1/8                     |
| 95,000                       | 101C953U025CB2B        | 7.7            | 28.4          | 2 1/2 x 3 1/8                 |
| 100,000                      | 101C104U025EE2B        | 8.6            | 25.7          | 1 3/4 x 5 1/8                 |
| 100,000                      | 101C104U025BD2B        | 6.1            | 31.9          | 2 x 4 5/8                     |
| 110,000                      | 101C114U025EF2B        | 8.0            | 27.6          | 1 3/4 x 5 5/8                 |
| 120,000                      | 101C124U025CJ2D        | 6.3            | 33.1          | 2 1/2 x 3 5/8                 |
| 120,000                      | 101C124U025BE2B        | 5.5            | 34.8          | 2 x 5 1/8                     |
| 140,000                      | 101C144U025DB2D        | 7.4            | 32.4          | 3 x 3 1/8                     |
| 140,000                      | 101C144U025BF2B        | 5.1            | 37.4          | 2 x 5 5/8                     |
| 150,000                      | 101C154U025CC2D        | 4.5            | 40.6          | 2 1/2 x 4 1/8                 |
| 170,000                      | 101C174U025CD2D        | 4.7            | 41.6          | 2 1/2 x 4 5/8                 |
| 180,000                      | 101C184U025DJ2D        | 6.0            | 37.7          | 3 x 3 5/8                     |
| 200,000                      | 101C204U025CE2D        | 4.2            | 45.5          | 2 1/2 x 5 1/8                 |
| 220,000                      | 101C224U025DC2D        | 4.8            | 44.1          | 3 x 4 1/8                     |
| 220,000                      | 101C224U025CF2D        | 3.6            | 50.3          | 2 1/2 x 5 5/8                 |
| 260,000                      | 101C264U025DD2D        | 4.5            | 47.3          | 3 x 4 5/8                     |
| 290,000                      | 101C294U025DE2D        | 4.0            | 51.6          | 3 x 5 1/8                     |
| 330,000                      | 101C334U025DF2D        | 3.5            | 56.7          | 3 x 5 5/8                     |
| 350,000                      | 101C354U025DP2D        | 3.5            | 57.7          | 3 x 5 7/8                     |
| 480,000                      | 101C484U025DN2D        | 2.9            | 69.0          | 3 x 7 5/8                     |
| 550,000                      | 101C554U025DG2D        | 2.6            | 75.2          | 3 x 8 5/8                     |

| Cap.<br>(µF)                 | Catalog<br>Part Number | ESR Max        | Ripple Max    | Nominal Size<br>D x L<br>(in) |
|------------------------------|------------------------|----------------|---------------|-------------------------------|
|                              |                        | @ 25 °C        | @ 85 °C       |                               |
|                              |                        | 120 Hz<br>(mΩ) | 120 Hz<br>(A) |                               |
| <b>30 Vdc (45 Vdc Surge)</b> |                        |                |               |                               |
| 5,400                        | 101C542U030AK2B        | 43.9           | 5.6           | 1 3/8 x 1 5/8                 |
| 13,000                       | 101C133U030AA2B        | 29.8           | 8.0           | 1 3/8 x 2 1/8                 |
| 19,000                       | 101C193U030AH2B        | 21.4           | 10.7          | 1 3/8 x 2 5/8                 |
| 23,000                       | 101C233U030EA2B        | 23.1           | 11.5          | 1 3/4 x 2 1/8                 |
| 23,000                       | 101C233U030BA2B        | 18.8           | 13.8          | 2 x 2 1/8                     |
| 24,000                       | 101C243U030AB2B        | 16.0           | 13.6          | 1 3/8 x 3 1/8                 |
| 30,000                       | 101C303U030AJ2B        | 14.1           | 15.4          | 1 3/8 x 3 5/8                 |
| 33,000                       | 101C333U030EH2B        | 16.9           | 14.5          | 1 3/4 x 2 5/8                 |
| 36,000                       | 101C363U030AC2B        | 13.0           | 16.8          | 1 3/8 x 4 1/8                 |
| 36,000                       | 101C363U030BH2B        | 12.8           | 18.1          | 2 x 2 5/8                     |
| 41,000                       | 101C413U030AD2B        | 11.6           | 18.6          | 1 3/8 x 4 5/8                 |
| 44,000                       | 101C443U030EB2B        | 13.4           | 17.3          | 1 3/4 x 3 1/8                 |
| 47,000                       | 101C473U030AE2B        | 10.6           | 20.2          | 1 3/8 x 5 1/8                 |
| 49,000                       | 101C493U030BB2B        | 8.7            | 23.3          | 2 x 3 1/8                     |
| 53,000                       | 101C533U030AF2B        | 9.8            | 21.8          | 1 3/8 x 5 5/8                 |
| 54,000                       | 101C543U030EJ2B        | 11.3           | 19.9          | 1 3/4 x 3 5/8                 |
| 59,000                       | 101C593U030CH2B        | 9.3            | 24.4          | 2 1/2 x 2 5/8                 |
| 62,000                       | 101C623U030BJ2B        | 7.8            | 25.8          | 2 x 3 5/8                     |
| 64,000                       | 101C643U030EC2B        | 9.2            | 23.0          | 1 3/4 x 4 1/8                 |
| 75,000                       | 101C753U030ED2B        | 8.4            | 25.1          | 1 3/4 x 4 5/8                 |
| 75,000                       | 101C753U030BC2B        | 6.3            | 30.1          | 2 x 4 1/8                     |
| 81,000                       | 101C813U030CB2B        | 7.1            | 29.7          | 2 1/2 x 3 1/8                 |
| 85,000                       | 101C853U030EE2B        | 7.9            | 26.9          | 1 3/4 x 5 1/8                 |
| 88,000                       | 101C883U030BD2B        | 5.8            | 32.7          | 2 x 4 5/8                     |
| 95,000                       | 101C953U030EF2B        | 7.5            | 28.5          | 1 3/4 x 5 5/8                 |
| 100,000                      | 101C104U030CJ2D        | 5.7            | 34.6          | 2 1/2 x 3 5/8                 |
| 100,000                      | 101C104U030BE2B        | 5.2            | 35.6          | 2 x 5 1/8                     |
| 110,000                      | 101C114U030BF2B        | 4.8            | 38.4          | 2 x 5 5/8                     |
| 120,000                      | 101C124U030DB2D        | 7.0            | 33.3          | 3 x 3 1/8                     |
| 120,000                      | 101C124U030CC2D        | 4.7            | 40.0          | 2 1/2 x 4 1/8                 |
| 150,000                      | 101C154U030DJ2D        | 5.7            | 38.7          | 3 x 3 5/8                     |
| 150,000                      | 101C154U030CD2D        | 4.3            | 43.4          | 2 1/2 x 4 5/8                 |
| 170,000                      | 101C174U030CE2D        | 3.8            | 47.4          | 2 1/2 x 5 1/8                 |
| 180,000                      | 101C184U030DC2D        | 4.8            | 43.9          | 3 x 4 1/8                     |
| 190,000                      | 101C194U030CF2D        | 3.5            | 51.2          | 2 1/2 x 5 5/8                 |
| 220,000                      | 101C224U030DD2D        | 4.3            | 48.5          | 3 x 4 5/8                     |
| 250,000                      | 101C254U030DE2D        | 3.8            | 52.8          | 3 x 5 1/8                     |
| 280,000                      | 101C284U030DF2D        | 3.5            | 56.9          | 3 x 5 5/8                     |
| 300,000                      | 101C304U030DP2D        | 3.4            | 58.8          | 3 x 5 7/8                     |
| 410,000                      | 101C414U030DN2D        | 2.9            | 69.5          | 3 x 7 5/8                     |
| 470,000                      | 101C474U030DG2D        | 2.6            | 75.8          | 3 x 8 5/8                     |

# Type 101C -55 °C to 105 °C Low-ESR, Wide-Temperature Grade

| Cap.<br>(µF)                 | Catalog<br>Part Number | ESR Max                   | Ripple Max               | Nominal Size<br>D x L<br>(in) |
|------------------------------|------------------------|---------------------------|--------------------------|-------------------------------|
|                              |                        | @ 25 °C<br>120 Hz<br>(mΩ) | @ 85 °C<br>120 Hz<br>(A) |                               |
| <b>40 Vdc (55 Vdc Surge)</b> |                        |                           |                          |                               |
| 5,400                        | 101C542U040AK2B        | 47.6                      | 5.4                      | 1 3/8 x 1 5/8                 |
| 9,000                        | 101C902U040AA2B        | 32.3                      | 7.6                      | 1 3/8 x 2 1/8                 |
| 13,000                       | 101C133U040AH2B        | 23.1                      | 10.3                     | 1 3/8 x 2 5/8                 |
| 16,000                       | 101C163U040EA2B        | 26.6                      | 10.7                     | 1 3/4 x 2 1/8                 |
| 16,000                       | 101C163U040BA2B        | 21.2                      | 13.0                     | 2 x 2 1/8                     |
| 17,000                       | 101C173U040AB2B        | 17.3                      | 13.1                     | 1 3/8 x 3 1/8                 |
| 21,000                       | 101C213U040AJ2B        | 15.2                      | 14.8                     | 1 3/8 x 3 5/8                 |
| 23,000                       | 101C233U040EH2B        | 19.3                      | 13.5                     | 1 3/4 x 2 5/8                 |
| 25,000                       | 101C253U040BH2B        | 14.3                      | 17.1                     | 2 x 2 5/8                     |
| 25,000                       | 101C253U040AC2B        | 14.0                      | 16.2                     | 1 3/8 x 4 1/8                 |
| 29,000                       | 101C293U040AD2B        | 12.4                      | 17.9                     | 1 3/8 x 4 5/8                 |
| 30,000                       | 101C303U040EB2B        | 15.4                      | 16.2                     | 1 3/4 x 3 1/8                 |
| 33,000                       | 101C333U040AE2B        | 11.3                      | 19.6                     | 1 3/8 x 5 1/8                 |
| 34,000                       | 101C343U040BB2B        | 9.8                       | 22.0                     | 2 x 3 1/8                     |
| 37,000                       | 101C373U040EJ2B        | 12.9                      | 18.6                     | 1 3/4 x 3 5/8                 |
| 37,000                       | 101C373U040AF2B        | 10.4                      | 21.1                     | 1 3/8 x 5 5/8                 |
| 41,000                       | 101C413U040CH2B        | 10.7                      | 22.7                     | 2 1/2 x 2 5/8                 |
| 43,000                       | 101C433U040BJ2B        | 8.8                       | 24.4                     | 2 x 3 5/8                     |
| 45,000                       | 101C453U040EC2B        | 10.5                      | 21.6                     | 1 3/4 x 4 1/8                 |
| 52,000                       | 101C523U040ED2B        | 9.5                       | 23.6                     | 1 3/4 x 4 5/8                 |
| 52,000                       | 101C523U040BC2B        | 7.1                       | 28.5                     | 2 x 4 1/8                     |
| 56,000                       | 101C563U040CB2B        | 8.1                       | 27.6                     | 2 1/2 x 3 1/8                 |
| 59,000                       | 101C593U040EE2B        | 8.9                       | 25.4                     | 1 3/4 x 5 1/8                 |
| 61,000                       | 101C613U040BD2B        | 6.5                       | 31.0                     | 2 x 4 5/8                     |
| 66,000                       | 101C663U040EF2B        | 8.4                       | 26.9                     | 1 3/4 x 5 5/8                 |
| 70,000                       | 101C703U040BE2B        | 5.8                       | 33.8                     | 2 x 5 1/8                     |
| 71,000                       | 101C713U040CJ2D        | 6.6                       | 32.2                     | 2 1/2 x 3 5/8                 |
| 79,000                       | 101C793U040BF2B        | 5.3                       | 36.5                     | 2 x 5 5/8                     |
| 83,000                       | 101C833U040DB2D        | 8.6                       | 30.1                     | 3 x 3 1/8                     |
| 86,000                       | 101C863U040CC2D        | 5.4                       | 37.3                     | 2 1/2 x 4 1/8                 |
| 100,000                      | 101C104U040CD2D        | 4.9                       | 40.6                     | 2 1/2 x 4 5/8                 |
| 110,000                      | 101C114U040DJ2D        | 7.0                       | 35.1                     | 3 x 3 5/8                     |
| 120,000                      | 101C124U040CE2D        | 4.4                       | 44.4                     | 2 1/2 x 5 1/8                 |
| 130,000                      | 101C134U040DC2D        | 5.3                       | 41.9                     | 3 x 4 1/8                     |
| 130,000                      | 101C134U040CF2D        | 4.0                       | 48.0                     | 2 1/2 x 5 5/8                 |
| 150,000                      | 101C154U040DD2D        | 5.2                       | 44.0                     | 3 x 4 5/8                     |
| 170,000                      | 101C174U040DE2D        | 4.6                       | 48.1                     | 3 x 5 1/8                     |
| 190,000                      | 101C194U040DF2D        | 4.2                       | 51.9                     | 3 x 5 5/8                     |
| 210,000                      | 101C214U040DP2D        | 4.0                       | 53.8                     | 3 x 5 7/8                     |
| 280,000                      | 101C284U040DN2D        | 3.4                       | 63.9                     | 3 x 7 5/8                     |
| 330,000                      | 101C334U040DG2D        | 3.0                       | 69.9                     | 3 x 8 5/8                     |

| Cap.<br>(µF)                 | Catalog<br>Part Number | ESR Max                   | Ripple Max               | Nominal Size<br>D x L<br>(in) |
|------------------------------|------------------------|---------------------------|--------------------------|-------------------------------|
|                              |                        | @ 25 °C<br>120 Hz<br>(mΩ) | @ 85 °C<br>120 Hz<br>(A) |                               |
| <b>50 Vdc (75 Vdc Surge)</b> |                        |                           |                          |                               |
| 3,800                        | 101C382U050AK2B        | 48.4                      | 5.4                      | 1 3/8 x 1 5/8                 |
| 7,000                        | 101C702U050AA2B        | 30.8                      | 7.8                      | 1 3/8 x 2 1/8                 |
| 10,000                       | 101C103U050AH2B        | 22.0                      | 10.5                     | 1 3/8 x 2 5/8                 |
| 12,000                       | 101C123U050EA2B        | 26.5                      | 10.7                     | 1 3/4 x 2 1/8                 |
| 12,000                       | 101C123U050BA2B        | 20.8                      | 13.2                     | 2 x 2 1/8                     |
| 13,000                       | 101C133U050AB2B        | 17.5                      | 13.0                     | 1 3/8 x 3 1/8                 |
| 16,000                       | 101C163U050AJ2B        | 14.6                      | 15.2                     | 1 3/8 x 3 5/8                 |
| 18,000                       | 101C183U050EH2B        | 19.3                      | 13.6                     | 1 3/4 x 2 5/8                 |
| 19,000                       | 101C193U050BH2B        | 14.1                      | 17.2                     | 2 x 2 5/8                     |
| 19,000                       | 101C193U050AC2B        | 13.4                      | 16.6                     | 1 3/8 x 4 1/8                 |
| 22,000                       | 101C223U050AD2B        | 11.9                      | 18.3                     | 1 3/8 x 4 5/8                 |
| 24,000                       | 101C243U050EB2B        | 15.3                      | 16.2                     | 1 3/4 x 3 1/8                 |
| 25,000                       | 101C253U050AE2B        | 10.8                      | 20.0                     | 1 3/8 x 5 1/8                 |
| 27,000                       | 101C273U050BB2B        | 9.6                       | 22.2                     | 2 x 3 1/8                     |
| 29,000                       | 101C293U050EJ2B        | 12.8                      | 18.6                     | 1 3/4 x 3 5/8                 |
| 29,000                       | 101C293U050AF2B        | 10.0                      | 21.5                     | 1 3/8 x 5 5/8                 |
| 32,000                       | 101C323U050CH2B        | 9.6                       | 24.0                     | 2 1/2 x 2 5/8                 |
| 34,000                       | 101C343U050BJ2B        | 8.6                       | 24.6                     | 2 x 3 5/8                     |
| 35,000                       | 101C353U050EC2B        | 10.5                      | 21.6                     | 1 3/4 x 4 1/8                 |
| 40,000                       | 101C403U050ED2B        | 9.5                       | 23.6                     | 1 3/4 x 4 5/8                 |
| 41,000                       | 101C413U050BC2B        | 7.2                       | 28.2                     | 2 x 4 1/8                     |
| 44,000                       | 101C443U050CB2B        | 8.2                       | 27.6                     | 2 1/2 x 3 1/8                 |
| 46,000                       | 101C463U050EE2B        | 8.8                       | 25.4                     | 1 3/4 x 5 1/8                 |
| 48,000                       | 101C483U050BD2B        | 6.3                       | 31.2                     | 2 x 4 5/8                     |
| 52,000                       | 101C523U050EF2B        | 8.4                       | 27.0                     | 1 3/4 x 5 5/8                 |
| 55,000                       | 101C553U050CJ2D        | 6.6                       | 32.2                     | 2 1/2 x 3 5/8                 |
| 55,000                       | 101C553U050BE2B        | 5.7                       | 34.1                     | 2 x 5 1/8                     |
| 62,000                       | 101C623U050BF2B        | 5.2                       | 36.8                     | 2 x 5 5/8                     |
| 65,000                       | 101C653U050DB2B        | 8.9                       | 29.5                     | 3 x 3 1/8                     |
| 67,000                       | 101C673U050CC2D        | 5.4                       | 37.3                     | 2 1/2 x 4 1/8                 |
| 79,000                       | 101C793U050CD2D        | 4.9                       | 40.5                     | 2 1/2 x 4 5/8                 |
| 83,000                       | 101C833U050DJ2D        | 7.3                       | 34.4                     | 3 x 3 5/8                     |
| 90,000                       | 101C903U050CE2D        | 4.4                       | 44.3                     | 2 1/2 x 5 1/8                 |
| 100,000                      | 101C104U050DC2D        | 5.5                       | 41.1                     | 3 x 4 1/8                     |
| 100,000                      | 101C104U050CF2D        | 4.0                       | 47.9                     | 2 1/2 x 5 5/8                 |
| 120,000                      | 101C124U050DD2D        | 5.4                       | 43.2                     | 3 x 4 5/8                     |
| 130,000                      | 101C134U050DE2D        | 4.8                       | 47.2                     | 3 x 5 1/8                     |
| 150,000                      | 101C154U050DF2D        | 4.4                       | 51.0                     | 3 x 5 5/8                     |
| 160,000                      | 101C164U050DP2D        | 4.2                       | 52.9                     | 3 x 5 7/8                     |
| 220,000                      | 101C224U050DN2D        | 3.5                       | 63.0                     | 3 x 7 5/8                     |
| 260,000                      | 101C264U050DG2D        | 3.1                       | 69.0                     | 3 x 8 5/8                     |



# Type 101C -55 °C to 105 °C Low-ESR, Wide-Temperature Grade

| Cap.<br>(µF)                 | Catalog<br>Part Number | ESR Max        |               | Ripple Max     |               | Nominal Size<br>D x L<br>(in) |
|------------------------------|------------------------|----------------|---------------|----------------|---------------|-------------------------------|
|                              |                        | @ 25 °C        | @ 85 °C       | @ 25 °C        | @ 85 °C       |                               |
|                              |                        | 120 Hz<br>(mΩ) | 120 Hz<br>(A) | 120 Hz<br>(mΩ) | 120 Hz<br>(A) |                               |
| <b>63 Vdc (85 Vdc Surge)</b> |                        |                |               |                |               |                               |
| 2,800                        | 101C282U063AK2B        | 57.9           | 4.9           | 1 3/8 x 1 5/8  |               |                               |
| 5,000                        | 101C502U063AA2B        | 35.5           | 7.3           | 1 3/8 x 2 1/8  |               |                               |
| 7,200                        | 101C722U063AH2B        | 25.8           | 9.8           | 1 3/8 x 2 5/8  |               |                               |
| 8,800                        | 101C882U063BA2B        | 22.8           | 12.6          | 2 x 2 1/8      |               |                               |
| 8,900                        | 101C892U063EA2B        | 28.0           | 10.4          | 1 3/4 x 2 1/8  |               |                               |
| 9,400                        | 101C942U063AB2B        | 20.4           | 12.0          | 1 3/8 x 3 1/8  |               |                               |
| 12,000                       | 101C123U063AJ2B        | 17.1           | 14.0          | 1 3/8 x 3 5/8  |               |                               |
| 13,000                       | 101C133U063EH2B        | 20.4           | 13.2          | 1 3/4 x 2 5/8  |               |                               |
| 14,000                       | 101C143U063BH2B        | 15.4           | 16.5          | 2 x 2 5/8      |               |                               |
| 14,000                       | 101C143U063AC2B        | 14.8           | 15.8          | 1 3/8 x 4 1/8  |               |                               |
| 16,000                       | 101C163U063AD2B        | 13.2           | 17.4          | 1 3/8 x 4 5/8  |               |                               |
| 17,000                       | 101C173U063EB2B        | 16.1           | 15.8          | 1 3/4 x 3 1/8  |               |                               |
| 18,000                       | 101C183U063AE2B        | 12.0           | 19.0          | 1 3/8 x 5 1/8  |               |                               |
| 19,000                       | 101C193U063BB2B        | 10.2           | 21.5          | 2 x 3 1/8      |               |                               |
| 20,000                       | 101C203U063AF2B        | 11.0           | 20.5          | 1 3/8 x 5 5/8  |               |                               |
| 21,000                       | 101C213U063EJ2B        | 13.5           | 18.2          | 1 3/4 x 3 5/8  |               |                               |
| 23,000                       | 101C233U063CH2B        | 11.3           | 22.1          | 2 1/2 x 2 5/8  |               |                               |
| 24,000                       | 101C243U063BJ2B        | 9.6            | 23.4          | 2 x 3 5/8      |               |                               |
| 25,000                       | 101C253U063EC2B        | 11.0           | 21.1          | 1 3/4 x 4 1/8  |               |                               |
| 29,000                       | 101C293U063ED2B        | 10.0           | 23.0          | 1 3/4 x 4 5/8  |               |                               |
| 29,000                       | 101C293U063BC2B        | 8.2            | 26.4          | 2 x 4 1/8      |               |                               |
| 31,000                       | 101C313U063CB2B        | 8.6            | 26.9          | 2 1/2 x 3 1/8  |               |                               |
| 33,000                       | 101C333U063EE2B        | 9.3            | 24.8          | 1 3/4 x 5 1/8  |               |                               |
| 34,000                       | 101C343U063BD2B        | 7.2            | 29.3          | 2 x 4 5/8      |               |                               |
| 37,000                       | 101C373U063EF2B        | 8.8            | 26.3          | 1 3/4 x 5 5/8  |               |                               |
| 39,000                       | 101C393U063BE2B        | 6.5            | 32.0          | 2 x 5 1/8      |               |                               |
| 40,000                       | 101C403U063CJ2D        | 7.0            | 31.4          | 2 1/2 x 3 5/8  |               |                               |
| 44,000                       | 101C443U063BF2B        | 5.9            | 34.6          | 2 x 5 5/8      |               |                               |
| 47,000                       | 101C473U063DB2B        | 9.3            | 29.0          | 3 x 3 1/8      |               |                               |
| 48,000                       | 101C483U063CC2D        | 5.6            | 36.4          | 2 1/2 x 4 1/8  |               |                               |
| 56,000                       | 101C563U063CD2D        | 5.2            | 39.5          | 2 1/2 x 4 5/8  |               |                               |
| 59,000                       | 101C593U063DJ2D        | 7.5            | 33.8          | 3 x 3 5/8      |               |                               |
| 65,000                       | 101C653U063CE2D        | 4.6            | 43.3          | 2 1/2 x 5 1/8  |               |                               |
| 72,000                       | 101C723U063DC2D        | 6.0            | 39.5          | 3 x 4 1/8      |               |                               |
| 73,000                       | 101C733U063CF2D        | 4.2            | 46.8          | 2 1/2 x 5 5/8  |               |                               |
| 84,000                       | 101C843U063DD2D        | 5.6            | 42.5          | 3 x 4 5/8      |               |                               |
| 97,000                       | 101C973U063DE2D        | 5.0            | 46.5          | 3 x 5 1/8      |               |                               |
| 110,000                      | 101C114U063DF2D        | 4.5            | 50.2          | 3 x 5 5/8      |               |                               |
| 120,000                      | 101C124U063DP2D        | 4.3            | 52.0          | 3 x 5 7/8      |               |                               |
| 160,000                      | 101C164U063DN2D        | 3.6            | 62.2          | 3 x 7 5/8      |               |                               |
| 180,000                      | 101C184U063DG2D        | 3.2            | 68.2          | 3 x 8 5/8      |               |                               |

| Cap.<br>(µF)                  | Catalog<br>Part Number | ESR Max        |               | Ripple Max     |               | Nominal Size<br>D x L<br>(in) |
|-------------------------------|------------------------|----------------|---------------|----------------|---------------|-------------------------------|
|                               |                        | @ 25 °C        | @ 85 °C       | @ 25 °C        | @ 85 °C       |                               |
|                               |                        | 120 Hz<br>(mΩ) | 120 Hz<br>(A) | 120 Hz<br>(mΩ) | 120 Hz<br>(A) |                               |
| <b>75 Vdc (100 Vdc Surge)</b> |                        |                |               |                |               |                               |
| 2,100                         | 101C212U075AK2B        | 97.3           | 3.8           | 1 3/8 x 1 5/8  |               |                               |
| 3,600                         | 101C362U075AA2B        | 67.2           | 5.3           | 1 3/8 x 2 1/8  |               |                               |
| 5,200                         | 101C522U075AH2B        | 50.0           | 7.0           | 1 3/8 x 2 5/8  |               |                               |
| 6,400                         | 101C642U075BA2B        | 40.7           | 9.4           | 2 x 2 1/8      |               |                               |
| 6,500                         | 101C652U075EA2B        | 47.5           | 8.0           | 1 3/4 x 2 1/8  |               |                               |
| 6,800                         | 101C682U075AB2B        | 39.3           | 8.7           | 1 3/8 x 3 1/8  |               |                               |
| 8,400                         | 101C842U075AJ2B        | 32.5           | 10.1          | 1 3/8 x 3 5/8  |               |                               |
| 9,400                         | 101C942U075EH2B        | 34.2           | 10.2          | 1 3/4 x 2 5/8  |               |                               |
| 10,000                        | 101C103U075AC2B        | 27.9           | 11.5          | 1 3/8 x 4 1/8  |               |                               |
| 10,000                        | 101C103U075BH2B        | 27.4           | 12.4          | 2 x 2 5/8      |               |                               |
| 12,000                        | 101C123U075EB2B        | 27.0           | 12.2          | 1 3/4 x 3 1/8  |               |                               |
| 12,000                        | 101C123U075AD2B        | 24.5           | 12.8          | 1 3/8 x 4 5/8  |               |                               |
| 13,000                        | 101C133U075AE2B        | 22.0           | 14.0          | 1 3/8 x 5 1/8  |               |                               |
| 14,000                        | 101C143U075BB2B        | 18.0           | 16.2          | 2 x 3 1/8      |               |                               |
| 15,000                        | 101C153U075EJ2B        | 22.4           | 14.1          | 1 3/4 x 3 5/8  |               |                               |
| 15,000                        | 101C153U075AF2B        | 20.0           | 15.2          | 1 3/8 x 5 5/8  |               |                               |
| 17,000                        | 101C173U075CH2B        | 18.9           | 17.1          | 2 1/2 x 2 5/8  |               |                               |
| 17,000                        | 101C173U075BJ2B        | 16.8           | 17.7          | 2 x 3 5/8      |               |                               |
| 18,000                        | 101C183U075EC2B        | 18.0           | 16.5          | 1 3/4 x 4 1/8  |               |                               |
| 21,000                        | 101C213U075ED2B        | 16.2           | 18.1          | 1 3/4 x 4 5/8  |               |                               |
| 21,000                        | 101C213U075BC2B        | 12.7           | 21.2          | 2 x 4 1/8      |               |                               |
| 23,000                        | 101C233U075CB2B        | 14.3           | 20.8          | 2 1/2 x 3 1/8  |               |                               |
| 24,000                        | 101C243U075EE2B        | 14.8           | 19.6          | 1 3/4 x 5 1/8  |               |                               |
| 25,000                        | 101C253U075BD2B        | 12.3           | 22.4          | 2 x 4 5/8      |               |                               |
| 27,000                        | 101C273U075EF2B        | 13.9           | 20.9          | 1 3/4 x 5 5/8  |               |                               |
| 28,000                        | 101C283U075BE2B        | 11.0           | 24.6          | 2 x 5 1/8      |               |                               |
| 29,000                        | 101C293U075CJ2B        | 11.5           | 24.4          | 2 1/2 x 3 5/8  |               |                               |
| 32,000                        | 101C323U075BF2B        | 9.9            | 26.7          | 2 x 5 5/8      |               |                               |
| 34,000                        | 101C343U075DB2B        | 13.3           | 24.2          | 3 x 3 1/8      |               |                               |
| 35,000                        | 101C353U075CC2B        | 8.7            | 29.4          | 2 1/2 x 4 1/8  |               |                               |
| 41,000                        | 101C413U075CD2D        | 8.4            | 30.9          | 2 1/2 x 4 5/8  |               |                               |
| 43,000                        | 101C433U075DJ2B        | 10.8           | 28.2          | 3 x 3 5/8      |               |                               |
| 47,000                        | 101C473U075CE2D        | 7.5            | 34.0          | 2 1/2 x 5 1/8  |               |                               |
| 52,000                        | 101C523U075DC2D        | 7.6            | 35.0          | 3 x 4 1/8      |               |                               |
| 53,000                        | 101C533U075CF2D        | 6.7            | 36.9          | 2 1/2 x 5 5/8  |               |                               |
| 61,000                        | 101C613U075DD2D        | 7.9            | 35.7          | 3 x 4 5/8      |               |                               |
| 70,000                        | 101C703U075DE2D        | 6.1            | 42.0          | 3 x 5 1/8      |               |                               |
| 79,000                        | 101C793U075DF2D        | 6.0            | 43.5          | 3 x 5 5/8      |               |                               |
| 83,000                        | 101C833U075DP2D        | 5.7            | 45.1          | 3 x 5 7/8      |               |                               |
| 110,000                       | 101C114U075DN2D        | 4.7            | 54.7          | 3 x 7 5/8      |               |                               |
| 130,000                       | 101C134U075DG2D        | 4.1            | 60.3          | 3 x 8 5/8      |               |                               |



# Type 101C -55 °C to 105 °C Low-ESR, Wide-Temperature Grade

| Cap.<br>(µF)                   | Catalog<br>Part Number | ESR Max                   |                          | Nominal Size<br>D x L<br>(in) |
|--------------------------------|------------------------|---------------------------|--------------------------|-------------------------------|
|                                |                        | @ 25 °C<br>120 Hz<br>(mΩ) | @ 85 °C<br>120 Hz<br>(A) |                               |
| <b>100 Vdc (150 Vdc Surge)</b> |                        |                           |                          |                               |
| 1,300                          | 101C132U100AK2B        | 115.6                     | 3.5                      | 1 3/8 x 1 5/8                 |
| 2,300                          | 101C232U100AA2B        | 79.9                      | 4.9                      | 1 3/8 x 2 1/8                 |
| 3,400                          | 101C342U100AH2B        | 59.4                      | 6.4                      | 1 3/8 x 2 5/8                 |
| 4,100                          | 101C412U100BA2B        | 47.6                      | 8.7                      | 2 x 2 1/8                     |
| 4,200                          | 101C422U100EA2B        | 55.0                      | 7.4                      | 1 3/4 x 2 1/8                 |
| 4,400                          | 101C442U100AB2B        | 46.6                      | 8.0                      | 1 3/8 x 3 1/8                 |
| 5,400                          | 101C542U100AJ2B        | 38.5                      | 9.3                      | 1 3/8 x 3 5/8                 |
| 6,100                          | 101C612U100EH2B        | 39.6                      | 9.5                      | 1 3/4 x 2 5/8                 |
| 6,500                          | 101C652U100AC2B        | 32.9                      | 10.6                     | 1 3/8 x 4 1/8                 |
| 6,500                          | 101C652U100BH2B        | 32.0                      | 11.4                     | 2 x 2 5/8                     |
| 7,500                          | 101C752U100AD2B        | 28.9                      | 11.8                     | 1 3/8 x 4 5/8                 |
| 7,900                          | 101C792U100EB2B        | 31.1                      | 11.4                     | 1 3/4 x 3 1/8                 |
| 8,500                          | 101C852U100AE2B        | 25.8                      | 12.9                     | 1 3/8 x 5 1/8                 |
| 8,900                          | 101C892U100BB2B        | 21.0                      | 15.0                     | 2 x 3 1/8                     |
| 9,600                          | 101C962U100AF2B        | 23.4                      | 14.1                     | 1 3/8 x 5 5/8                 |
| 9,800                          | 101C982U100EJ2B        | 25.8                      | 13.2                     | 1 3/4 x 3 5/8                 |
| 11,000                         | 101C113U100CH2B        | 20.7                      | 16.3                     | 2 1/2 x 2 5/8                 |
| 11,000                         | 101C113U100BJ2B        | 19.5                      | 16.4                     | 2 x 3 5/8                     |
| 12,000                         | 101C123U100EC2B        | 20.7                      | 15.4                     | 1 3/4 x 4 1/8                 |
| 14,000                         | 101C143U100ED2B        | 18.6                      | 16.9                     | 1 3/4 x 4 5/8                 |
| 14,000                         | 101C143U100BC2B        | 14.8                      | 19.7                     | 2 x 4 1/8                     |
| 15,000                         | 101C153U100EE2B        | 17.0                      | 18.3                     | 1 3/4 x 5 1/8                 |
| 15,000                         | 101C153U100CB2B        | 16.5                      | 19.4                     | 2 1/2 x 3 1/8                 |
| 16,000                         | 101C163U100BD2B        | 14.3                      | 20.8                     | 2 x 4 5/8                     |
| 17,000                         | 101C173U100EF2B        | 15.9                      | 19.6                     | 1 3/4 x 5 5/8                 |
| 18,000                         | 101C183U100BE2B        | 12.7                      | 22.9                     | 2 x 5 1/8                     |
| 19,000                         | 101C193U100CJ2B        | 13.3                      | 22.7                     | 2 1/2 x 3 5/8                 |
| 21,000                         | 101C213U100BF2B        | 11.4                      | 24.9                     | 2 x 5 5/8                     |
| 22,000                         | 101C223U100DB2B        | 13.8                      | 23.8                     | 3 x 3 1/8                     |
| 22,000                         | 101C223U100CC2B        | 10.0                      | 27.4                     | 2 1/2 x 4 1/8                 |
| 26,000                         | 101C263U100CD2B        | 9.7                       | 28.9                     | 2 1/2 x 4 5/8                 |
| 28,000                         | 101C283U100DJ2B        | 11.2                      | 27.7                     | 3 x 3 5/8                     |
| 30,000                         | 101C303U100CE2D        | 8.6                       | 31.7                     | 2 1/2 x 5 1/8                 |
| 34,000                         | 101C343U100DC2D        | 8.5                       | 33.2                     | 3 x 4 1/8                     |
| 34,000                         | 101C343U100CF2D        | 7.7                       | 34.5                     | 2 1/2 x 5 5/8                 |
| 39,000                         | 101C393U100DD2D        | 7.9                       | 35.7                     | 3 x 4 5/8                     |
| 45,000                         | 101C453U100DE2D        | 6.5                       | 40.5                     | 3 x 5 1/8                     |
| 51,000                         | 101C513U100DF2D        | 6.0                       | 43.5                     | 3 x 5 5/8                     |
| 54,000                         | 101C543U100DP2D        | 6.0                       | 44.1                     | 3 x 5 7/8                     |
| 74,000                         | 101C743U100DN2D        | 4.8                       | 54.0                     | 3 x 7 5/8                     |
| 85,000                         | 101C853U100DG2D        | 4.2                       | 59.2                     | 3 x 8 5/8                     |

| Cap.<br>(µF)                   | Catalog<br>Part Number | ESR Max                   |                          | Nominal Size<br>D x L<br>(in) |
|--------------------------------|------------------------|---------------------------|--------------------------|-------------------------------|
|                                |                        | @ 25 °C<br>120 Hz<br>(mΩ) | @ 85 °C<br>120 Hz<br>(A) |                               |
| <b>150 Vdc (200 Vdc Surge)</b> |                        |                           |                          |                               |
| 490                            | 101C491U150AK2B        | 433.1                     | 2.1                      | 1 3/8 x 1 5/8                 |
| 880                            | 101C881U150AA2B        | 241.1                     | 3.1                      | 1 3/8 x 2 1/8                 |
| 1,200                          | 101C122U150EA2B        | 198.9                     | 3.9                      | 1 3/4 x 2 1/8                 |
| 1,300                          | 101C132U150AH2B        | 163.2                     | 4.0                      | 1 3/8 x 2 5/8                 |
| 1,500                          | 101C152U150BA2B        | 159.2                     | 4.8                      | 2 x 2 1/8                     |
| 1,700                          | 101C172U150AB2B        | 124.8                     | 4.9                      | 1 3/8 x 3 1/8                 |
| 1,800                          | 101C182U150EH2B        | 132.6                     | 5.2                      | 1 3/4 x 2 5/8                 |
| 1,900                          | 101C192U150AJ2B        | 111.7                     | 5.5                      | 1 3/8 x 3 5/8                 |
| 2,300                          | 101C232U150BH2B        | 103.8                     | 6.3                      | 2 x 2 5/8                     |
| 2,500                          | 101C252U150EB2B        | 95.5                      | 6.5                      | 1 3/4 x 3 1/8                 |
| 2,500                          | 101C252U150AC2B        | 84.9                      | 6.6                      | 1 3/8 x 4 1/8                 |
| 2,700                          | 101C272U150AD2B        | 80.1                      | 7.1                      | 1 3/8 x 4 5/8                 |
| 3,100                          | 101C312U150AE2B        | 74.0                      | 7.6                      | 1 3/8 x 5 1/8                 |
| 3,200                          | 101C322U150EJ2B        | 74.6                      | 7.7                      | 1 3/4 x 3 5/8                 |
| 3,400                          | 101C342U150BB2B        | 54.6                      | 9.3                      | 2 x 3 1/8                     |
| 3,600                          | 101C362U150AF2B        | 66.3                      | 8.4                      | 1 3/8 x 5 5/8                 |
| 3,800                          | 101C382U150CH2B        | 62.8                      | 9.4                      | 2 1/2 x 2 5/8                 |
| 4,000                          | 101C402U150BJ2B        | 59.7                      | 9.4                      | 2 x 3 5/8                     |
| 4,400                          | 101C442U150EC2B        | 54.3                      | 9.5                      | 1 3/4 x 4 1/8                 |
| 4,500                          | 101C452U150ED2B        | 53.1                      | 10.0                     | 1 3/4 x 4 5/8                 |
| 5,200                          | 101C522U150EE2B        | 45.9                      | 11.1                     | 1 3/4 x 5 1/8                 |
| 5,200                          | 101C522U150CB2B        | 45.9                      | 11.6                     | 2 1/2 x 3 1/8                 |
| 5,200                          | 101C522U150BC2B        | 45.0                      | 11.3                     | 2 x 4 1/8                     |
| 5,700                          | 101C572U150BD2B        | 41.9                      | 12.2                     | 2 x 4 5/8                     |
| 5,800                          | 101C582U150EF2B        | 41.2                      | 12.2                     | 1 3/4 x 5 5/8                 |
| 6,600                          | 101C662U150BE2B        | 36.2                      | 13.6                     | 2 x 5 1/8                     |
| 6,600                          | 101C662U150CJ2B        | 36.2                      | 13.8                     | 2 1/2 x 3 5/8                 |
| 7,800                          | 101C782U150DB2B        | 35.7                      | 14.8                     | 3 x 3 1/8                     |
| 7,900                          | 101C792U150BF2B        | 30.2                      | 15.3                     | 2 x 5 5/8                     |
| 8,500                          | 101C852U150CC2B        | 28.1                      | 16.3                     | 2 1/2 x 4 1/8                 |
| 9,400                          | 101C942U150CD2B        | 25.4                      | 17.8                     | 2 1/2 x 4 5/8                 |
| 9,900                          | 101C992U150DJ2B        | 28.1                      | 17.5                     | 3 x 3 5/8                     |
| 11,000                         | 101C113U150CE2B        | 21.7                      | 19.9                     | 2 1/2 x 5 1/8                 |
| 12,000                         | 101C123U150DC2B        | 23.2                      | 20.1                     | 3 x 4 1/8                     |
| 13,000                         | 101C133U150CF2B        | 18.4                      | 22.3                     | 2 1/2 x 5 5/8                 |
| 14,000                         | 101C143U150DD2B        | 19.9                      | 22.5                     | 3 x 4 5/8                     |
| 16,000                         | 101C163U150DE2B        | 17.4                      | 24.8                     | 3 x 5 1/8                     |
| 18,000                         | 101C183U150DF2B        | 15.5                      | 27.1                     | 3 x 5 5/8                     |
| 19,000                         | 101C193U150DP2B        | 14.7                      | 28.2                     | 3 x 5 7/8                     |
| 26,000                         | 101C263U150DN2D        | 11.3                      | 35.7                     | 3 x 7 5/8                     |
| 30,000                         | 101C303U150DG2D        | 9.3                       | 40.0                     | 3 x 8 5/8                     |

# Type 101C -55 °C to 105 °C Low-ESR, Wide-Temperature Grade

| Cap.<br>(µF)                   | Catalog<br>Part Number | ESR Max Ripple Max        |                          | Nominal Size<br>D x L<br>(in) |
|--------------------------------|------------------------|---------------------------|--------------------------|-------------------------------|
|                                |                        | @ 25 °C<br>120 Hz<br>(mΩ) | @ 85 °C<br>120 Hz<br>(A) |                               |
| <b>200 Vdc (275 Vdc Surge)</b> |                        |                           |                          |                               |
| 380                            | 101C381T200AK2B        | 453.7                     | 2.0                      | 1 3/8 x 1 5/8                 |
| 680                            | 101C681T200AA2B        | 253.5                     | 3.0                      | 1 3/8 x 2 1/8                 |
| 890                            | 101C891T200EA2B        | 223.5                     | 3.7                      | 1 3/4 x 2 1/8                 |
| 980                            | 101C981T200AH2B        | 175.9                     | 3.9                      | 1 3/8 x 2 5/8                 |
| 1,100                          | 101C112T200BA2B        | 180.9                     | 4.5                      | 2 x 2 1/8                     |
| 1,300                          | 101C132T200AB2B        | 132.6                     | 4.8                      | 1 3/8 x 3 1/8                 |
| 1,400                          | 101C142T200EH2B        | 142.1                     | 5.0                      | 1 3/4 x 2 5/8                 |
| 1,600                          | 101C162T200AJ2B        | 107.8                     | 5.6                      | 1 3/8 x 3 5/8                 |
| 1,800                          | 101C182T200BH2B        | 110.5                     | 6.1                      | 2 x 2 5/8                     |
| 1,900                          | 101C192T200EB2B        | 104.7                     | 6.2                      | 1 3/4 x 3 1/8                 |
| 1,900                          | 101C192T200AC2B        | 88.9                      | 6.4                      | 1 3/8 x 4 1/8                 |
| 2,200                          | 101C222T200AD2B        | 90.4                      | 6.7                      | 1 3/8 x 4 5/8                 |
| 2,400                          | 101C242T200EJ2B        | 82.9                      | 7.3                      | 1 3/4 x 3 5/8                 |
| 2,400                          | 101C242T200BB2B        | 82.9                      | 7.5                      | 2 x 3 1/8                     |
| 2,500                          | 101C252T200AE2B        | 79.6                      | 7.4                      | 1 3/8 x 5 1/8                 |
| 2,800                          | 101C282T200AF2B        | 71.0                      | 8.1                      | 1 3/8 x 5 5/8                 |
| 3,100                          | 101C312T200BJ2B        | 64.2                      | 9.0                      | 2 x 3 5/8                     |
| 3,400                          | 101C342T200EC2B        | 58.5                      | 9.1                      | 1 3/4 x 4 1/8                 |
| 3,500                          | 101C352T200ED2B        | 56.8                      | 9.7                      | 1 3/4 x 4 5/8                 |
| 4,000                          | 101C402T200EE2B        | 49.7                      | 10.7                     | 1 3/4 x 5 1/8                 |
| 4,000                          | 101C402T200CB2B        | 49.7                      | 11.2                     | 2 1/2 x 3 1/8                 |
| 4,000                          | 101C402T200BC2B        | 43.1                      | 11.5                     | 2 x 4 1/8                     |
| 4,400                          | 101C442T200BD2B        | 45.2                      | 11.7                     | 2 x 4 5/8                     |
| 4,500                          | 101C452T200EF2B        | 44.2                      | 11.7                     | 1 3/4 x 5 5/8                 |
| 5,000                          | 101C502T200BE2B        | 39.8                      | 12.9                     | 2 x 5 1/8                     |
| 5,100                          | 101C512T200CJ2B        | 39.0                      | 13.3                     | 2 1/2 x 3 5/8                 |
| 6,100                          | 101C612T200BF2B        | 32.6                      | 14.7                     | 2 x 5 5/8                     |
| 6,500                          | 101C652T200CC2B        | 26.3                      | 16.9                     | 2 1/2 x 4 1/8                 |
| 7,200                          | 101C722T200CH2B        | 27.6                      | 14.1                     | 2 1/2 x 2 5/8                 |
| 7,200                          | 101C722T200CD2B        | 27.6                      | 17.1                     | 2 1/2 x 4 5/8                 |
| 7,600                          | 101C762T200DJ2B        | 29.7                      | 17.0                     | 3 x 3 5/8                     |
| 8,300                          | 101C832T200CE2B        | 24.0                      | 19.0                     | 2 1/2 x 5 1/8                 |
| 9,300                          | 101C932T200DC2B        | 21.4                      | 20.9                     | 3 x 4 1/8                     |
| 10,000                         | 101C103T200CF2B        | 21.2                      | 20.8                     | 2 1/2 x 5 5/8                 |
| 11,000                         | 101C113T200DD2B        | 20.5                      | 22.1                     | 3 x 4 5/8                     |
| 13,000                         | 101C133T200DB2B        | 17.8                      | 20.9                     | 3 x 3 1/8                     |
| 13,000                         | 101C133T200DE2B        | 17.8                      | 24.5                     | 3 x 5 1/8                     |
| 14,000                         | 101C143T200DF2B        | 16.9                      | 25.9                     | 3 x 5 5/8                     |
| 15,000                         | 101C153T200DP2B        | 15.9                      | 27.1                     | 3 x 5 7/8                     |
| 20,000                         | 101C203T200DN2D        | 12.5                      | 33.9                     | 3 x 7 5/8                     |
| 23,000                         | 101C233T200DG2D        | 10.4                      | 37.8                     | 3 x 8 5/8                     |

| Cap.<br>(µF)                   | Catalog<br>Part Number | ESR Max Ripple Max        |                          | Nominal Size<br>D x L<br>(in) |
|--------------------------------|------------------------|---------------------------|--------------------------|-------------------------------|
|                                |                        | @ 25 °C<br>120 Hz<br>(mΩ) | @ 85 °C<br>120 Hz<br>(A) |                               |
| <b>250 Vdc (350 Vdc Surge)</b> |                        |                           |                          |                               |
| 290                            | 101C291T250AK2B        | 548.8                     | 1.8                      | 1 3/8 x 1 5/8                 |
| 530                            | 101C531T250AA2B        | 300.3                     | 2.7                      | 1 3/8 x 2 1/8                 |
| 700                            | 101C701T250EA2B        | 227.4                     | 3.7                      | 1 3/4 x 2 1/8                 |
| 760                            | 101C761T250AH2B        | 209.4                     | 3.5                      | 1 3/8 x 2 5/8                 |
| 890                            | 101C891T250BA2B        | 163.9                     | 4.7                      | 2 x 2 1/8                     |
| 990                            | 101C991T250AB2B        | 160.8                     | 4.3                      | 1 3/8 x 3 1/8                 |
| 1,100                          | 101C112T250EH2B        | 144.7                     | 5.0                      | 1 3/4 x 2 5/8                 |
| 1,200                          | 101C122T250AJ2B        | 132.6                     | 5.0                      | 1 3/8 x 3 5/8                 |
| 1,400                          | 101C142T250BH2B        | 104.2                     | 6.3                      | 2 x 2 5/8                     |
| 1,500                          | 101C152T250AC2B        | 106.1                     | 5.9                      | 1 3/8 x 4 1/8                 |
| 1,500                          | 101C152T250EB2B        | 106.1                     | 6.2                      | 1 3/4 x 3 1/8                 |
| 1,700                          | 101C172T250AD2B        | 101.4                     | 6.3                      | 1 3/8 x 4 5/8                 |
| 1,900                          | 101C192T250AE2B        | 90.7                      | 6.9                      | 1 3/8 x 5 1/8                 |
| 1,900                          | 101C192T250EJ2B        | 83.8                      | 7.3                      | 1 3/4 x 3 5/8                 |
| 1,900                          | 101C192T250BB2B        | 69.8                      | 8.2                      | 2 x 3 1/8                     |
| 2,200                          | 101C222T250AF2B        | 84.4                      | 7.4                      | 1 3/8 x 5 5/8                 |
| 2,300                          | 101C232T250CH2B        | 75.0                      | 8.6                      | 2 1/2 x 2 5/8                 |
| 2,300                          | 101C232T250EC2B        | 69.2                      | 8.4                      | 1 3/4 x 4 1/8                 |
| 2,400                          | 101C242T250BJ2B        | 58.0                      | 9.5                      | 2 x 3 5/8                     |
| 2,700                          | 101C272T250ED2B        | 58.9                      | 9.5                      | 1 3/4 x 4 5/8                 |
| 2,900                          | 101C292T250BC2B        | 50.3                      | 10.7                     | 2 x 4 1/8                     |
| 3,100                          | 101C312T250CB2B        | 55.6                      | 10.6                     | 2 1/2 x 3 1/8                 |
| 3,100                          | 101C312T250EE2B        | 51.3                      | 10.5                     | 1 3/4 x 5 1/8                 |
| 3,400                          | 101C342T250BD2B        | 45.6                      | 11.7                     | 2 x 4 5/8                     |
| 3,500                          | 101C352T250EF2B        | 45.5                      | 11.6                     | 1 3/4 x 5 5/8                 |
| 3,900                          | 101C392T250BE2B        | 42.0                      | 12.6                     | 2 x 5 1/8                     |
| 4,000                          | 101C402T250CJ2B        | 43.1                      | 12.6                     | 2 1/2 x 3 5/8                 |
| 4,500                          | 101C452T250BF2B        | 38.3                      | 13.6                     | 2 x 5 5/8                     |
| 4,700                          | 101C472T250DB2B        | 42.3                      | 13.6                     | 3 x 3 1/8                     |
| 5,100                          | 101C512T250CC2B        | 30.6                      | 15.6                     | 2 1/2 x 4 1/8                 |
| 5,700                          | 101C572T250CD2B        | 28.9                      | 16.7                     | 2 1/2 x 4 5/8                 |
| 5,900                          | 101C592T250DJ2B        | 33.7                      | 16.0                     | 3 x 3 5/8                     |
| 6,500                          | 101C652T250CE2B        | 26.6                      | 18.0                     | 2 1/2 x 5 1/8                 |
| 7,200                          | 101C722T250DC2B        | 27.6                      | 18.4                     | 3 x 4 1/8                     |
| 7,700                          | 101C772T250CF2B        | 24.1                      | 19.5                     | 2 1/2 x 5 5/8                 |
| 8,500                          | 101C852T250DD2B        | 23.4                      | 20.7                     | 3 x 4 5/8                     |
| 9,700                          | 101C972T250DE2B        | 20.5                      | 22.8                     | 3 x 5 1/8                     |
| 11,000                         | 101C113T250DF2B        | 18.1                      | 25.0                     | 3 x 5 5/8                     |
| 12,000                         | 101C123T250DP2B        | 16.6                      | 26.5                     | 3 x 5 7/8                     |
| 16,000                         | 101C163T250DN2D        | 13.4                      | 32.8                     | 3 x 7 5/8                     |
| 18,000                         | 101C183T250DG2D        | 11.1                      | 36.7                     | 3 x 8 5/8                     |

# Type 101C -55 °C to 105 °C Low-ESR, Wide-Temperature Grade

## Typical Performance Curves



**Notice and Disclaimer:** All product drawings, descriptions, specifications, statements, information and data (collectively, the "Information") in this datasheet or other publication are subject to change. The customer is responsible for checking, confirming and verifying the extent to which the Information contained in this datasheet or other publication is applicable to an order at the time the order is placed. All Information given herein is believed to be accurate and reliable, but it is presented without any guarantee, warranty, representation or responsibility of any kind, expressed or implied. Statements of suitability for certain applications are based on the knowledge that the Cornell Dubilier company providing such statements ("Cornell Dubilier") has of operating conditions that such Cornell Dubilier company regards as typical for such applications, but are not intended to constitute any guarantee, warranty or representation regarding any such matter – and Cornell Dubilier specifically and expressly disclaims any guarantee, warranty or representation concerning the suitability for a specific customer application, use, storage, transportation, or operating environment. The Information is intended for use only by customers who have the requisite experience and capability to determine the correct products for their application. Any technical advice inferred from this Information or otherwise provided by Cornell Dubilier with reference to the use of any Cornell Dubilier products is given gratis (unless otherwise specified by Cornell Dubilier), and Cornell Dubilier assumes no obligation or liability for the advice given or results obtained. Although Cornell Dubilier strives to apply the most stringent quality and safety standards regarding the design and manufacturing of its products, in light of the current state of the art, isolated component failures may still occur. Accordingly, customer applications which require a high degree of reliability or safety should employ suitable designs or other safeguards (such as installation of protective circuitry or redundancies or other appropriate protective measures) in order to ensure that the failure of an electrical component does not result in a risk of personal injury or property damage. Although all product-related warnings, cautions and notes must be observed, the customer should not assume that all safety measures are indicated in such warnings, cautions and notes, or that other safety measures may not be required.



Компания «ЭлектроПласт» предлагает заключение долгосрочных отношений при поставках импортных электронных компонентов на взаимовыгодных условиях!

Наши преимущества:

- Оперативные поставки широкого спектра электронных компонентов отечественного и импортного производства напрямую от производителей и с крупнейших мировых складов;
- Поставка более 17-ти миллионов наименований электронных компонентов;
- Поставка сложных, дефицитных, либо снятых с производства позиций;
- Оперативные сроки поставки под заказ (от 5 рабочих дней);
- Экспресс доставка в любую точку России;
- Техническая поддержка проекта, помощь в подборе аналогов, поставка прототипов;
- Система менеджмента качества сертифицирована по Международному стандарту ISO 9001;
- Лицензия ФСБ на осуществление работ с использованием сведений, составляющих государственную тайну;
- Поставка специализированных компонентов (Xilinx, Altera, Analog Devices, Intersil, Interpoint, Microsemi, Aeroflex, Peregrine, Syfer, Eurofarad, Texas Instrument, Miteq, Cobham, E2V, MA-COM, Hittite, Mini-Circuits, General Dynamics и др.);

Помимо этого, одним из направлений компании «ЭлектроПласт» является направление «Источники питания». Мы предлагаем Вам помощь Конструкторского отдела:

- Подбор оптимального решения, техническое обоснование при выборе компонента;
- Подбор аналогов;
- Консультации по применению компонента;
- Поставка образцов и прототипов;
- Техническая поддержка проекта;
- Защита от снятия компонента с производства.



#### Как с нами связаться

**Телефон:** 8 (812) 309 58 32 (многоканальный)

**Факс:** 8 (812) 320-02-42

**Электронная почта:** [org@eplast1.ru](mailto:org@eplast1.ru)

**Адрес:** 198099, г. Санкт-Петербург, ул. Калинина, дом 2, корпус 4, литера А.