



EK Series

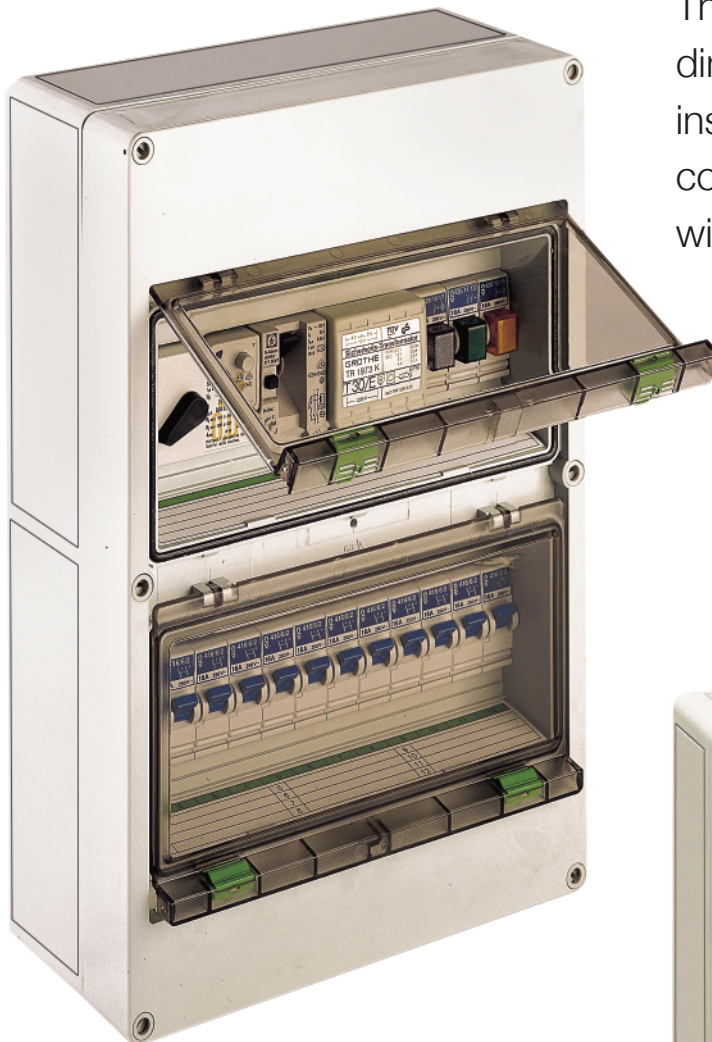
Compact EK Series Enclosures are designed to house and protect standard IEC components, such as DIN rail mount circuit breakers, switches, meters and other control devices.

The unique cover design features a shrouded cut out and transparent hinged doors, for quick access and visibility. The shrouded cut out, spanning the width of the cover, exposes mounted components for easy adjustment and isolates wiring for increased safety. The transparent hinged doors have push release latches and can be optionally equipped with a tamper seal.

- UL Listed
- Direct mount
- Small to medium size
- Polycarbonate base and cover
- Integral seals
- Dust and moisture proof
- IP65 protection
- High mechanical strength
- Corrosion and maintenance free
- Halogen free

EK compact design

The EK Series features compact dimensions for space-efficient installation, while offering sufficient connection space for a secure wiring job.



The transparent doors make for an ideal display of timers, LEDs, circuit breakers, and other DIN rail mount devices. Access to components is quick and easy.

EK002 – Polycarbonate – 130 x 94 mm (5.12 x 3.70 in.)

Standard Features

- **Protection Level:** IP65 - Nema Type 4x
- **Technical:** Fits 2 Circuit Breaker Poles
(3 if side pieces are removed)
Smooth Sidewalls
Tinted Transparent Door
- **Enclosure Material:** Polycarbonate
- **Door Material:** Polycarbonate
- **Gasket Material:** Polyurethane
- **Material Temperature Range:** -40°C to 120°C (-40°F to 248°F)
- **Color:** Light Gray
- **Included Accessories:** 35mm DIN Rail
Label Strip
- **Accessories:** See section below



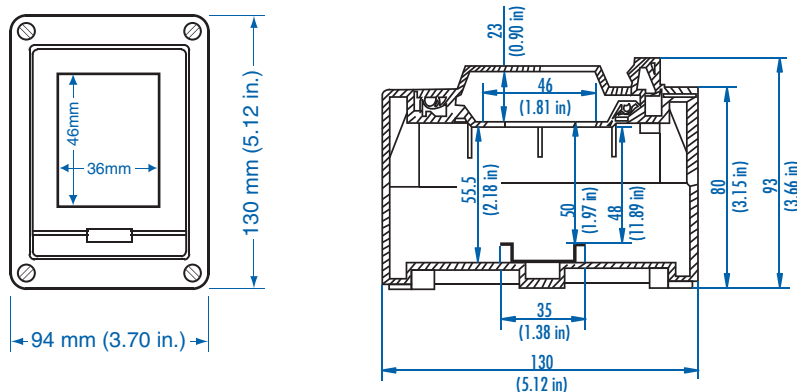
EK

Ordering Information	Cat. No.	Type	Length	Dimensions mm (in)		Height	Std. Pk.
				Width			
Enclosure	542-502	EK002	130 mm (5.12 in)	94 mm (3.70 in)		80 mm (3.15 in)	1

Accessories

Ordering Information	Cat. No.	Type	Std. Pk.
Terminal	X-573	PE/N Terminal - 3 pole	1
Filler Strip	799-012	108 mm piece (6 divisions)	1

Please refer to pages 136-140 for additional accessories and detailed information.





Standard Features

- **Protection Level:** IP65 - Nema Type 4x
- **Technical:** Fits 4 Circuit Breaker Poles
Smooth Sidewalls
Tinted Transparent Door
- **Enclosure Material:** Polycarbonate
- **Door Material:** Polycarbonate
- **Gasket Material:** Polyurethane
- **Material Temperature Range:** -40°C to 120°C (-40°F to 248°F)
- **Color:** Light Gray
- **Included Accessories:** 35mm DIN Rail
Label Strip
- **Accessories:** See section below



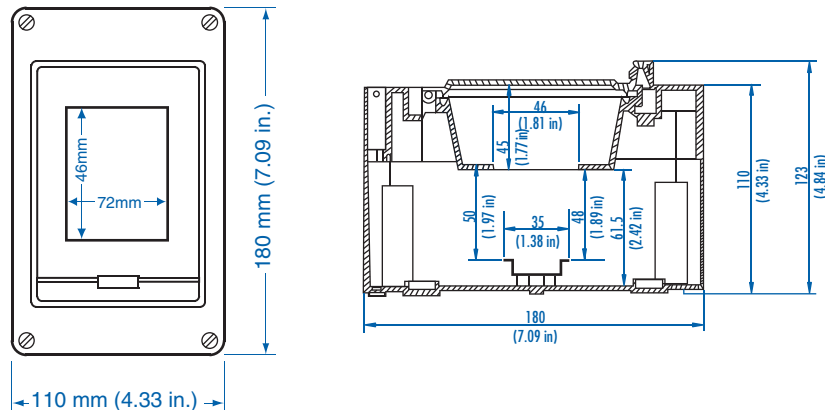
EK

Ordering Information	Cat. No.	Type	Length	Dimensions mm (in) Width	Height	Std. Pk.
Enclosure	542-504	EK004	180 mm (7.09 in)	110 mm (4.33 in)	110 mm (4.33 in)	1

Accessories

Ordering Information	Cat. No.	Type	Std. Pk.
Terminal	X-575	PE/N Terminal - 5 pole	1
Filler Strip	799-012	108 mm piece (6 divisions)	1

Please refer to pages 136-140 for additional accessories and detailed information.



EK008 – Polycarbonate – 180 x 182 mm (7.09 x 7.17 in.)

Standard Features

- **Protection Level:** IP65 - Nema Type 4x
- **Technical:** Fits 8 Circuit Breaker Poles
Smooth Sidewalls
Tinted Transparent Door
- **Enclosure Material:** Polycarbonate
- **Door Material:** Polycarbonate
- **Gasket Material:** Polyurethane
- **Material**
- **Temperature Range:** -40°C to 120°C (-40°F to 248°F)
- **Color:** Light Gray
- **Included Accessories:** 35mm DIN Rail
Label Strip
- **Accessories:** See section below



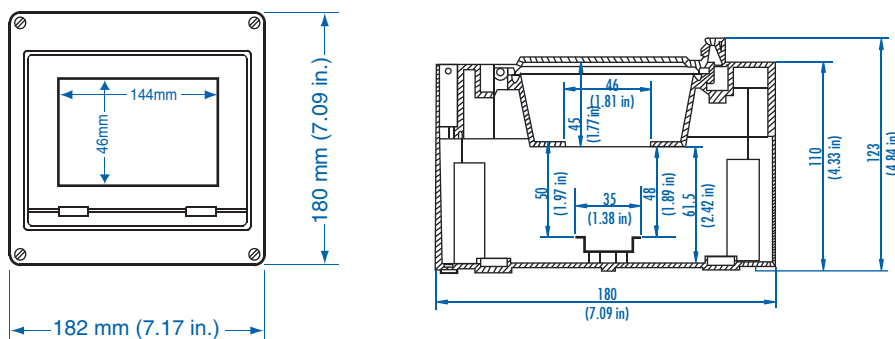
EK

Ordering Information	Cat. No.	Type	Length	Dimensions mm (in)			Std. Pk.
				Width	Height		
Enclosure	542-508	EK008	180 mm (7.09 in)	182 mm (7.17 in)	110 mm (4.33 in)	1	

Accessories

Ordering Information	Cat. No.	Type	Std. Pk.
Terminal	X-578	PE/N Terminal - 7 pole	1
Filler Strip	799-012	108 mm piece (6 divisions)	1

Please refer to pages 136-140 for additional accessories and detailed information.





Standard Features

- **Protection Level:** IP65 - Nema Type 4x
- **Technical:** Fits 12 Circuit Breaker Poles
Smooth Sidewalls
Tinted Transparent Door
- **Enclosure Material:** Polycarbonate
- **Door Material:** Polycarbonate
- **Gasket Material:** Polyurethane
- **Material**
- **Temperature Range:** -40°C to 120°C (-40°F to 248°F)
- **Color:** Light Gray
- **Included Accessories:** 35mm DIN Rail
Label Strip
- **Accessories:** See section below



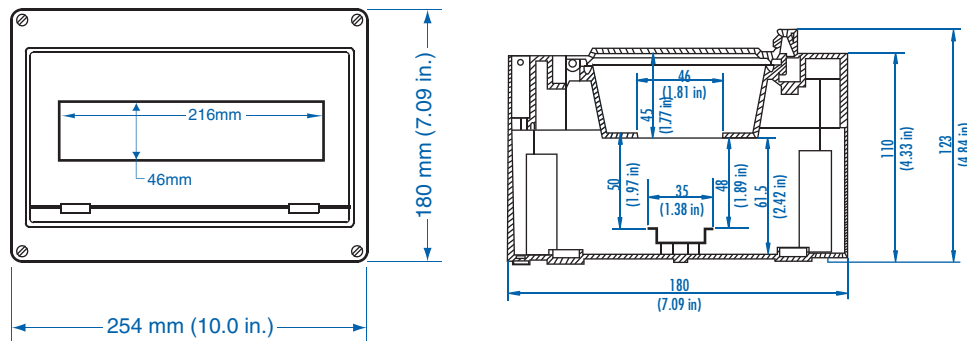
EK

Ordering Information	Cat. No.	Type	Length	Dimensions mm (in)		Std. Pk.
				Width	Height	
Enclosure	542-512	EK012	180 mm (7.09 in)	254 mm (10.00 in)	110 mm (4.33 in)	1

Accessories

Ordering Information	Cat. No.	Type	Std. Pk.
Terminal	X-583	PE/N Terminal - 12 pole	1
Filler Strip	799-012	108 mm piece (6 divisions)	1

Please refer to pages 136-140 for additional accessories and detailed information.



EK024 – Polycarbonate – 361 x 254 mm (14.21 x 10.00 in.)

Standard Features

- **Protection Level:** IP65 - Nema Type 4x
- **Technical:** Fits 24 Circuit Breaker Poles (12 per section)
Smooth Sidewalls
Tinted Transparent Door
- **Enclosure Material:** Polycarbonate
- **Door Material:** Polycarbonate
- **Gasket Material:** Polyurethane
- **Material Temperature Range:** -40°C to 120°C (-40°F to 248°F)
- **Color:** Light Gray
- **Included Accessories:** 2 ea. 35mm DIN Rail
2 ea. Label Strips
- **Accessories:** See section below



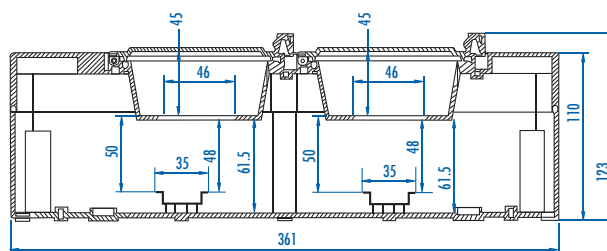
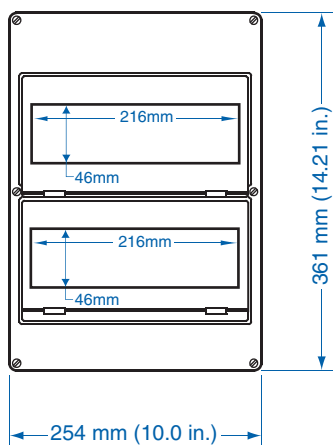
EK

Ordering Information	Cat. No.	Type	Length	Dimensions mm (in)		Std. Pk.
				Width	Height	
Enclosure	542-524	EK024	361 mm (14.21 in)	254 mm (10.00 in)	110 mm (4.33 in)	1

Accessories

Ordering Information	Cat. No.	Type	Std. Pk.
Terminal	X-721-02	PE/N Terminal - 17 pole	1
Filler Strip	799-012	108 mm piece (6 divisions)	1

Please refer to pages 136-140 for additional accessories and detailed information.





Компания «ЭлектроПласт» предлагает заключение долгосрочных отношений при поставках импортных электронных компонентов на взаимовыгодных условиях!

Наши преимущества:

- Оперативные поставки широкого спектра электронных компонентов отечественного и импортного производства напрямую от производителей и с крупнейших мировых складов;
- Поставка более 17-ти миллионов наименований электронных компонентов;
- Поставка сложных, дефицитных, либо снятых с производства позиций;
- Оперативные сроки поставки под заказ (от 5 рабочих дней);
- Экспресс доставка в любую точку России;
- Техническая поддержка проекта, помощь в подборе аналогов, поставка прототипов;
- Система менеджмента качества сертифицирована по Международному стандарту ISO 9001;
- Лицензия ФСБ на осуществление работ с использованием сведений, составляющих государственную тайну;
- Поставка специализированных компонентов (Xilinx, Altera, Analog Devices, Intersil, Interpoint, Microsemi, Aeroflex, Peregrine, Syfer, Eurofarad, Texas Instrument, Miteq, Cobham, E2V, MA-COM, Hittite, Mini-Circuits, General Dynamics и др.);

Помимо этого, одним из направлений компании «ЭлектроПласт» является направление «Источники питания». Мы предлагаем Вам помощь Конструкторского отдела:

- Подбор оптимального решения, техническое обоснование при выборе компонента;
- Подбор аналогов;
- Консультации по применению компонента;
- Поставка образцов и прототипов;
- Техническая поддержка проекта;
- Защита от снятия компонента с производства.



Как с нами связаться

Телефон: 8 (812) 309 58 32 (многоканальный)

Факс: 8 (812) 320-02-42

Электронная почта: org@eplast1.ru

Адрес: 198099, г. Санкт-Петербург, ул. Калинина, дом 2, корпус 4, литера А.