

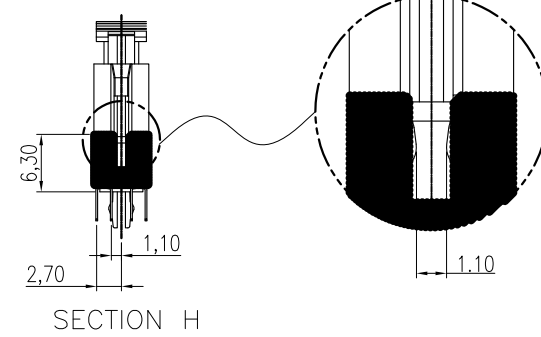
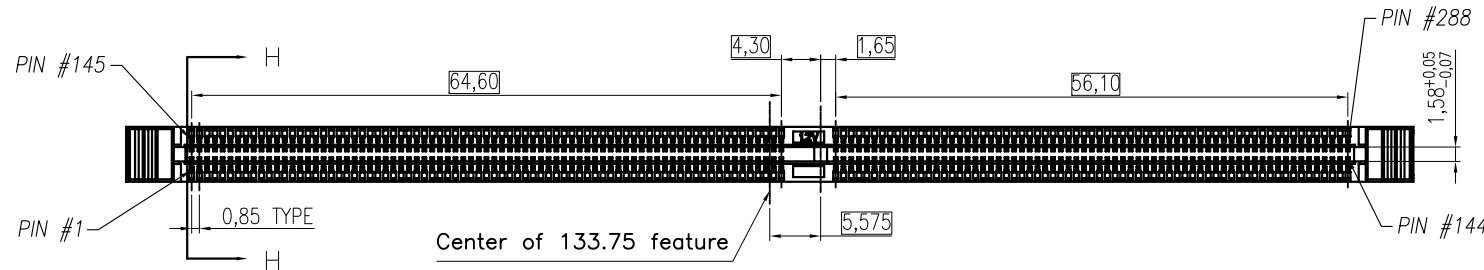
This document is the property of Amphenol Corporation and is delivered on the express condition that it is not to be disclosed, reproduced or used, in whole or in part, for manufacture or sale by anyone other than Amphenol Corporation without its prior consent, & that no right is granted to disclose or to use any information in this document.

PRO/E GENERATED DRAWING, DO NOT CHANGE BY HAND

CUSTOMER DRAWING

REVISIONS

SYM	ECN	DESCRIPTION	DATE	APPROVED
1	HK--	First Release	12/16/13	IP
2	HK--	Added latch option and some dimensions, and modified the q'ty of packing	08/21/14	IP
3	HK--	Added dimensions per customer's requirement	08/26/14	IP
4	HK--	Added color options	01/06/15	IP
5	HK--	Added a dimension and latch profile	01/26/15	IP



NOTES:

- MATERIAL:**
HOUSING: HIGH TEMPERATURE THERMAL PLASTIC, OPTION, UL94V-0, COLOR: OPTION.
LATCH: HIGH TEMPERATURE THERMAL PLASTIC, OPTION, UL94V-0. COLOR: OPTION.
TERMINAL: COPPER ALLOY.
BOARDLOCK: COPPER ALLOY.
- FINISH:**
TERMINAL:
CONTACT AREA: SELECTED GOLD PLATING;
SOLDERING AREA: MATTE TIN PLATING 100 μ" THICKNESS MIN.;
UNDER PLATING: NICKEL PLATING 50 μ" THICKNESS MIN. OVERALL
BOARDLOCK:
NICKEL PLATING 80 μ" THICKNESS MIN.;
- PACKING:** PK5-ZDDR4-001, MPQ: 480pcs
- THIS PRODUCT IS HALOGEN-FREE COMPLIANT PRODUCT.
- Order p/n system:

LATCH PROFILE

NIL: DIM "X" = 152MAX; DIM "Y" = 142MAX
F: DIM "X" = 162MAX; DIM "Y" = 145MAX

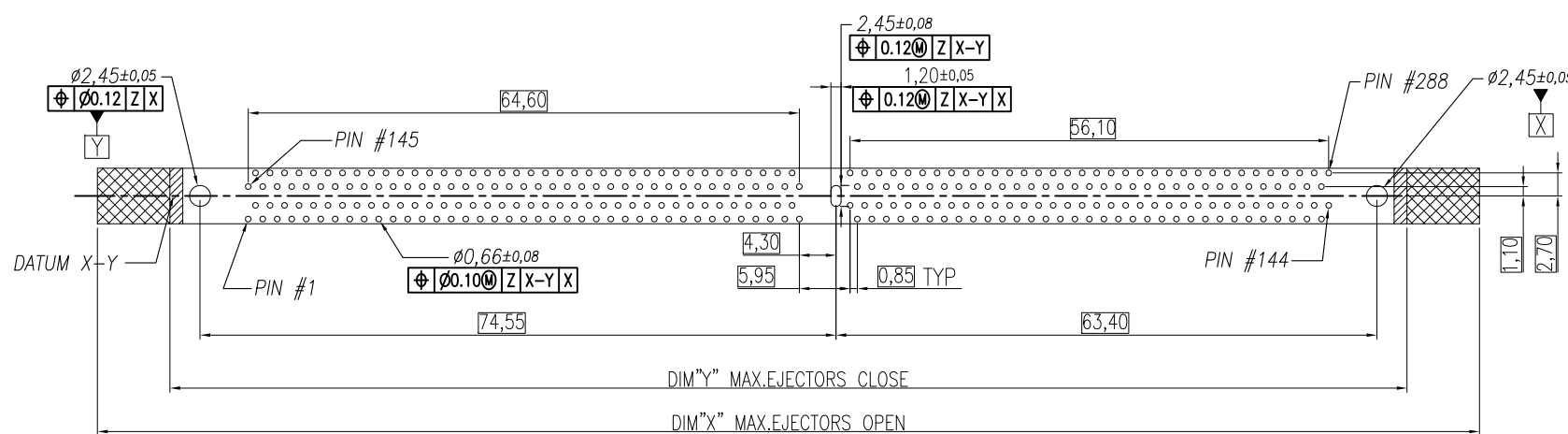
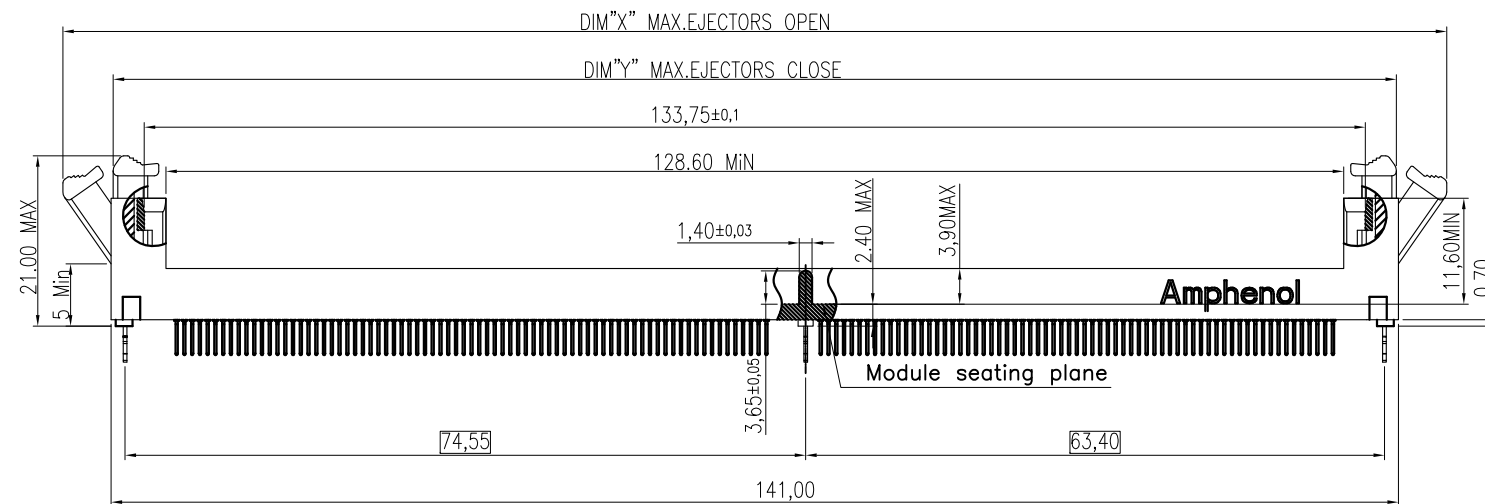
DOUBLE DATA RATE 4 SERIES
NO. OF POSITIONS: 288 POS.
VERTICAL
SEQUENCE NUMBER:

- {DIP OPTION (DIMA, DIMB, PCB)}
- 01: DIP=2.10MM, 3.94MM, 1.57 PCB
 - 02: DIP=2.67MM, 3.94MM, 1.57 PCB
 - 03: DIP=2.95MM, 4.60MM, 2.36 PCB
 - 04: DIP=3.18MM, 4.60MM, 2.36 PCB
- HOUSING/LATCH COLOR
- 1: NYLON, BLACK/ NYLON, BLACK
 - 2: NYLON, BLACK/ NYLON, NATURAL(IVORY)
 - 3: NYLON, NATURAL(IVORY)/ NYLON, BLACK
 - 4: NYLON, NATURAL(IVORY)/ NYLON, NATURAL(IVORY)
 - 5: NYLON, BLUE/ NYLON, NATURAL(IVORY)
 - 6: NYLON, GREEN/ NYLON, NATURAL(IVORY)
 - 7: NYLON, BLUE/ NYLON, BLUE
 - 8: NYLON, YELLOW/ NYLON, NATURAL(IVORY)

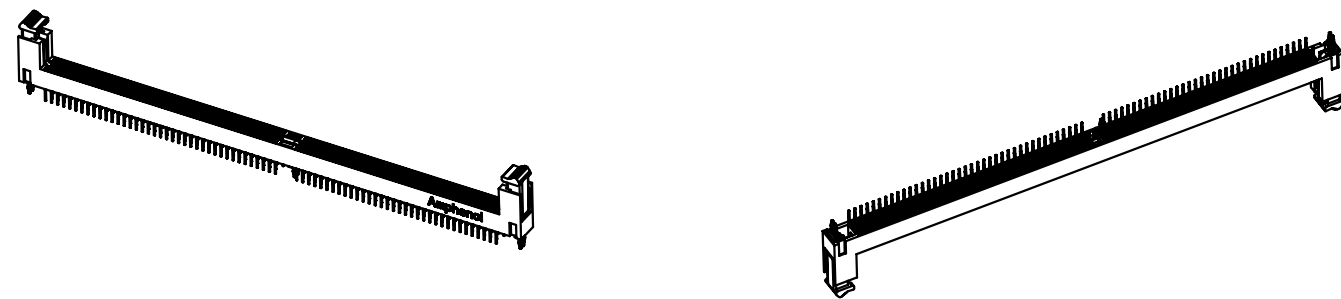
LATCH OPTION/REMARK:
NIL: DIM "X" = 152MAX; DIM "Y" = 142MAX
F: DIM "X" = 162MAX; DIM "Y" = 145MAX

PACKAGE CODE:
T: TRAY

CONTACT PLATED
0: GOLD FLASH
1: 15 μ" GOLD
2: 20 μ" GOLD
3: 30 μ" GOLD
4: 3 μ" GOLD OVER 12 μ" PdNi
5: 3 μ" GOLD OVER 27 μ" PdNi



RECOMMENDED PCB LAYOUT (TOP VIEW)



PART NO.	DIM. "A"	DIM. "B"	PCB THK
DDR4288V01XXTX	2.10	3.94	1.57
DDR4288V02XXTX	2.67	3.94	1.57
DDR4288V03XXTX	2.95	4.60	2.36
DDR4288V04XXTX	3.18	4.60	2.36

UNLESS OTHERWISE SPECIFIED TOLERANCES		APPROVAL		DATE
U.S.	METRIC	DRAWN	Acon.Dal	01/26/15
0.0	+/-	CHECKED	Dam.he	01/26/15
0.00	+/-	CHECKED		
0.000	+/-			
FRACTIONS	+/-			
ANGLES	+/-			
FOR MATERIALS AND FINISHES SEE NOTES		DRAWING FILE : \DRAWING\DDR4\DDR4288V0000TX-S		
REMOVE SHARP EDGES		ANGLE OF PROJECTION		
DIMENSIONS				
U.S.	INCHES			
(METRIC)	(MM)			

Amphenol

Amphenol East Asia Limited

TITLE Customer drawing For DDR4 Series, 288 pos., 0.85 pitch Vertical Dip Type

SIZE	DRAWING NO.	REV.
A3	DDR4-288-V-XX-X-X-T-X	5
SCALE	N/A	SHEET 1 OF 3



This document is the property of Amphenol Corporation and is delivered on the express condition that it is not to be disclosed, reproduced or used, in whole or in part, for manufacture or sale by anyone other than Amphenol Corporation without its prior consent, & that no right is granted to disclose or to use any information in this document.

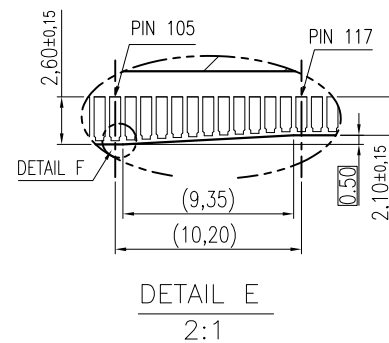
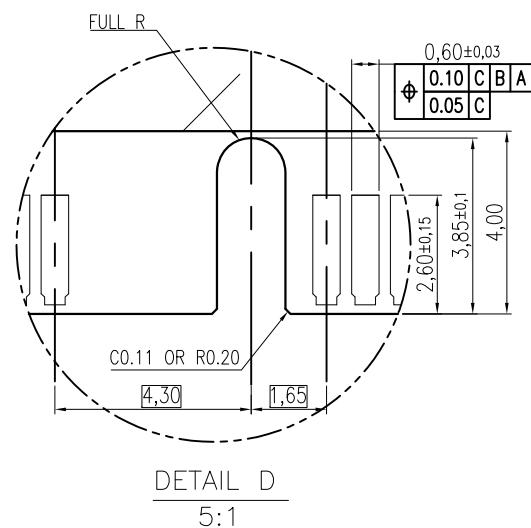
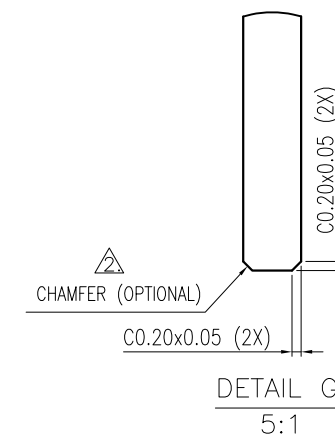
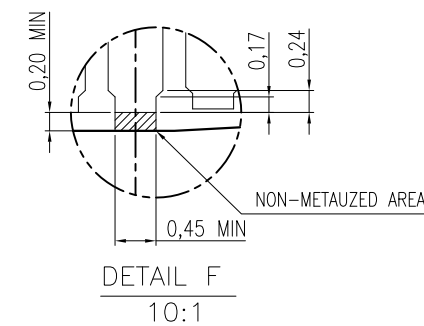
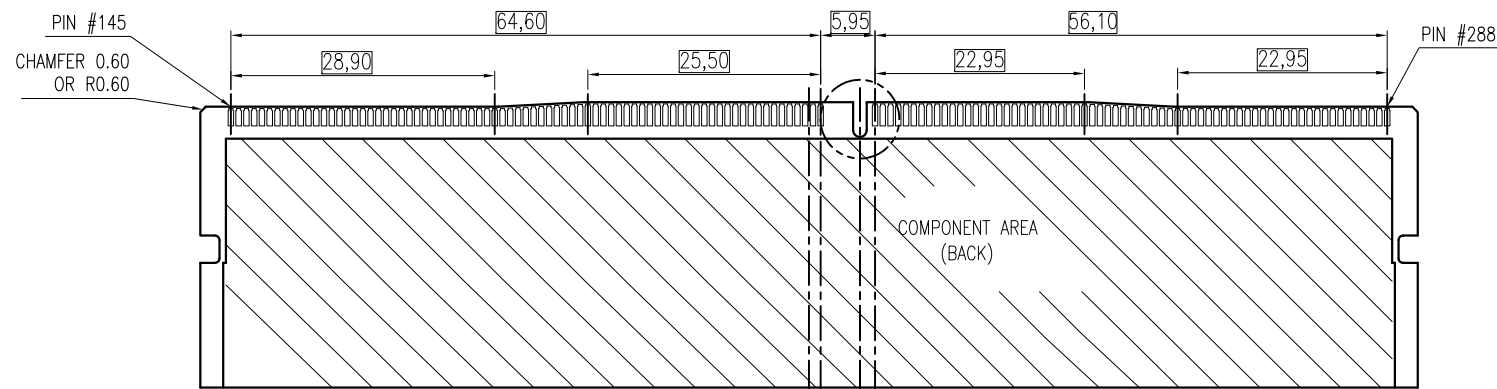
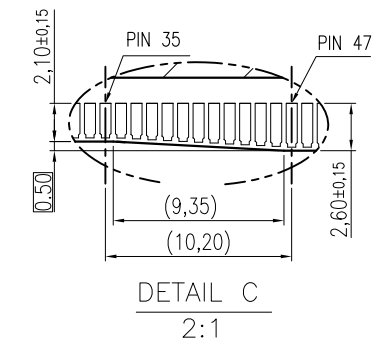
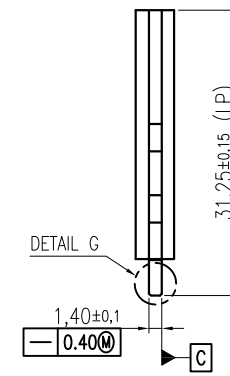
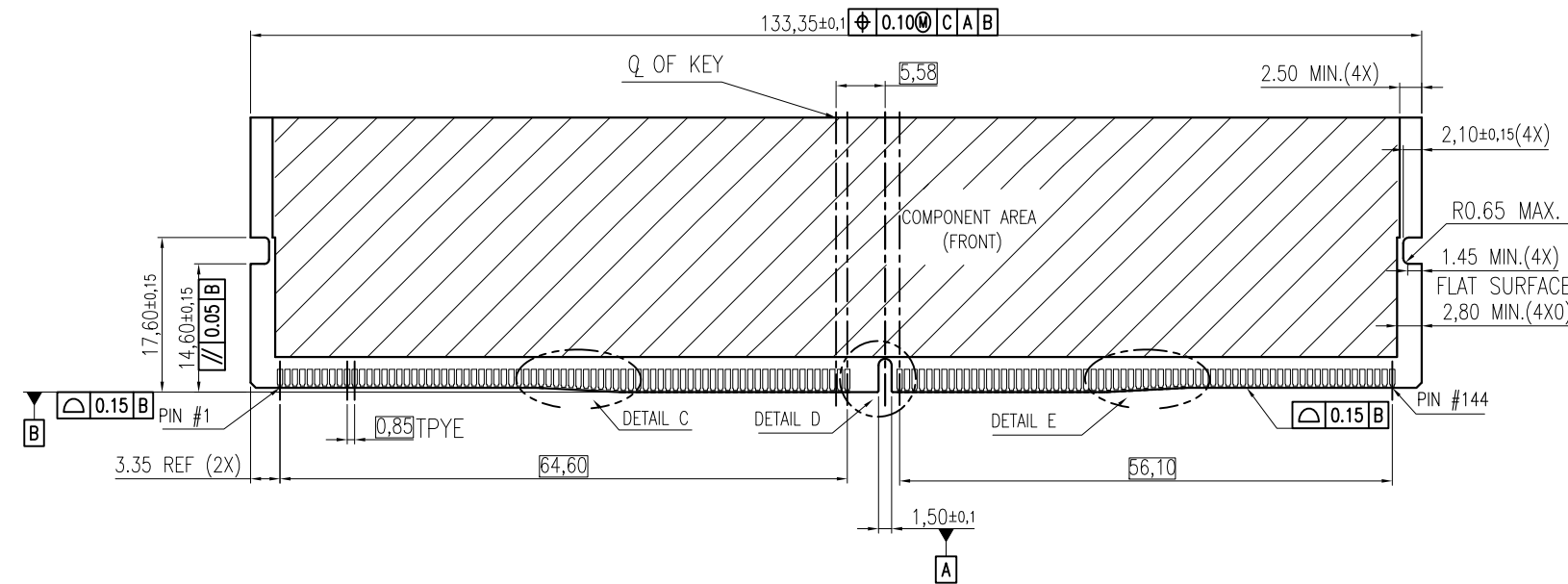
PRO/E GENERATED DRAWING, DO NOT CHANGE BY HAND

CUSTOMER DRAWING

REVISIONS				
SYM	ECN	DESCRIPTION	DATE	APPROVED
SEE SHEET 1				

NOTES:

- RECOMMENDED PLATING FOR CONTACT PADS:
 PREFERRED: 0.76 MICROMETERS GOLD PLATING MIN.
 OVER 2.00 MICROMETERS NICKEL.
 ALTERNATIVE: 0.05~0.75 MICROMETERS GOLD PLATING
 OVER 2.00 MICROMETERS NICKEL MUST USE AN ELECTRONIC
 CONTACT GRADE CORROSIVE BARRIER LUBRICANT.
 △ CHAMFER IS OPTIONAL AND IS NOT TO HIT GOLD PADS.



UNLESS OTHERWISE SPECIFIED TOLERANCES		APPROVAL		DATE	Amphenol Amphenol East Asia Limited
U.S.	METRIC	DRAWN	Acon.Dal	01/26/15	
0.0	+/-	0.30	CHECKED	Dam.he	01/26/15
0.00	+/-	0.20	CHECKED		
0.000	+/-	0.10			
FRACTIONS +/-		DRAWING FILE :		TITLE	
ANGLES +/-		FOR MATERIALS AND FINISHES SEE NOTES		Customer drawing For DDR4 Series, 288 pos., 0.85 pitch Vertical Dip Type	
REMOVE SHARP EDGES		ANGLE OF PROJECTION		SIZE	DRAWING NO.
DIMENSIONS		U.S. INCHES		A3	DDR4-288-V-XX-X-X-T-X
(METRIC)		(MM)		SCALE	N/A
				SHEET	2 OF 3
				REV.	5

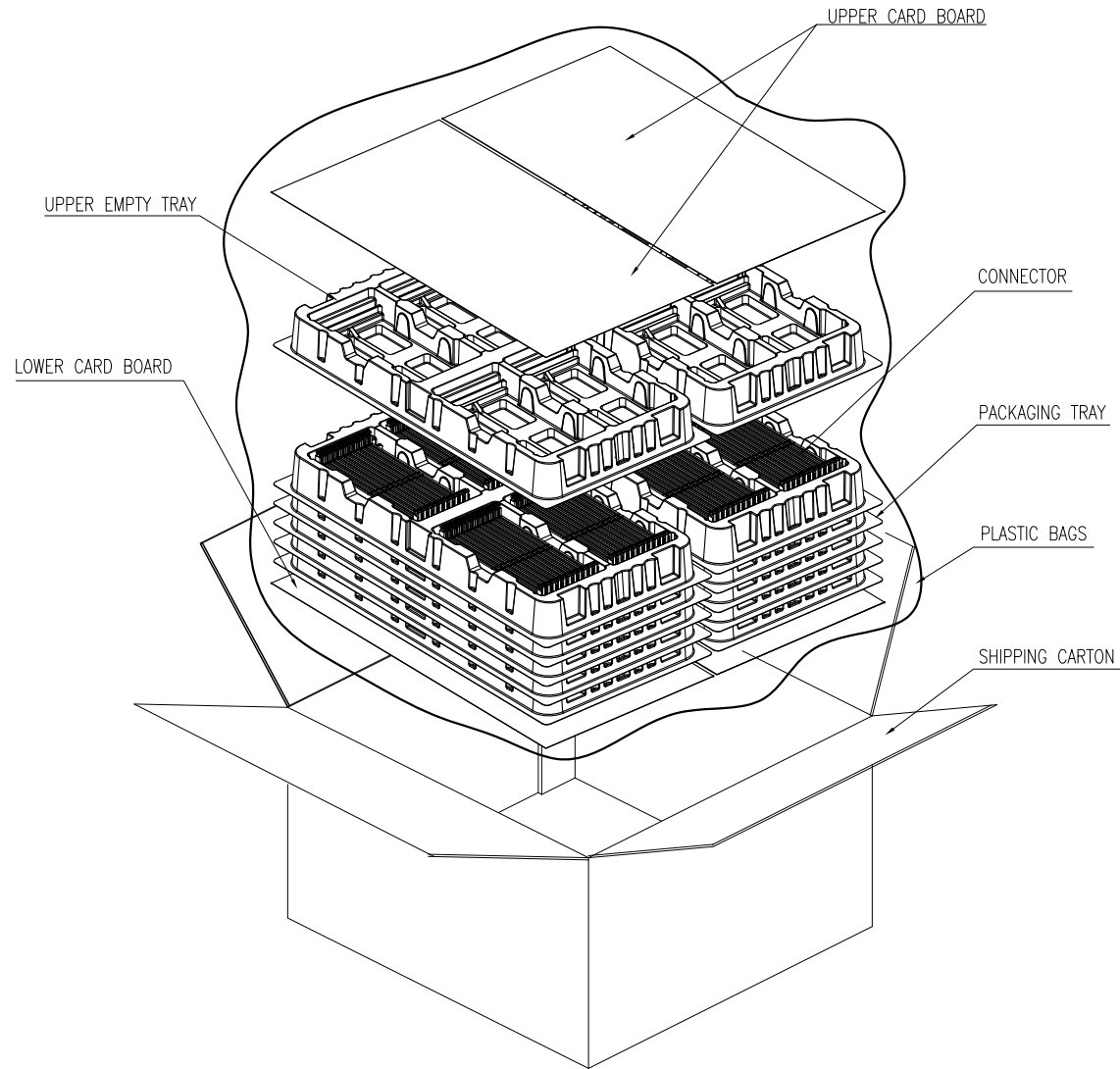


This document is the property of Amphenol Corporation and is delivered on the express condition that it is not to be disclosed, reproduced or used, in whole or in part, for manufacture or sale by anyone other than Amphenol Corporation without its prior consent, & that no right is granted to disclose or to use any information in this document.

PRO/E GENERATED DRAWING,DO NOT CHANGE BY HAND

CUSTOMER DRAWING

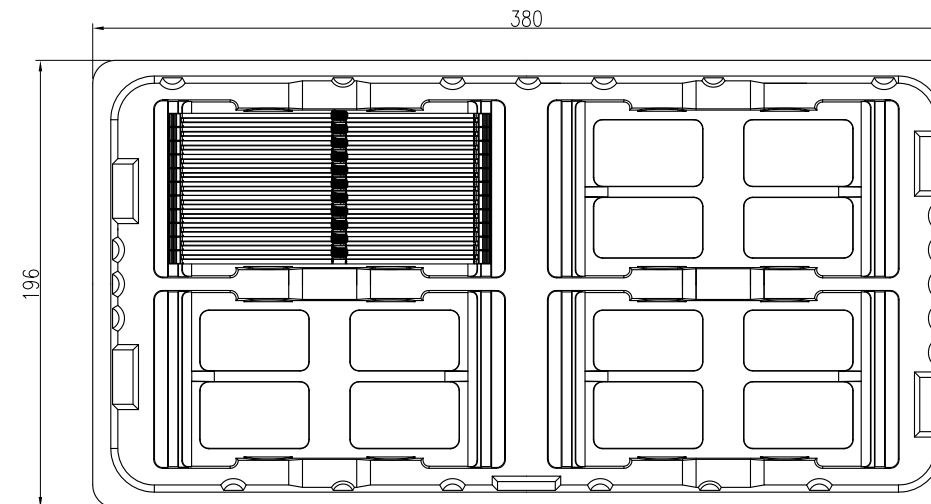
REVISIONS					
SYM	ECN	DESCRIPTION	DATE	APPROVED	
SEE SHEET 1					



NOTES:

1. IN THE 14 PLASTIC TRAYS ,THE TWO TOP PLASTIC TRAYS ARE TO COVER THE CONNECTORS ,THE OTHERS ARE FILLED WITH CONNECTORS.

TOTEL TRAY PER CARTON	QT'Y/TRAY	QT'Y/SHIPPING CARTON	PLASTIC BAGS QT'Y /SHIPPING CARTON	G.W.	N.W.
14	40	480	1	5.2 KGf	3.2 KGf



UNLESS OTHERWISE SPECIFIED TOLERANCES		APPROVAL		DATE	Amphenol Amphenol East Asia Limited
U.S. METRIC		DRAWN	Acon.Dal	01/26/15	
0.0 +/-	0.30	CHECKED	Dam.he	01/26/15	TITLE Customer drawing For DDR4 Series, 288 pos.,0.85 pitch Vertical Dip Type
0.00 +/-	0.20	CHECKED			
0.000 +/-	0.10	DRAWING FILE :			SIZE DRAWING NO. REV. A3 DDR4-288-V-XX-X-X-T-X 5
FRACTIONS +/-	1"	\DRAWING\DDR4\DDR4288V0000TX-S			
ANGLES +/-		REMOVE SHARP EDGES		ANGLE OF PROJECTION	SCALE N/A SHEET 3 OF 3
FOR MATERIALS AND FINISHES SEE NOTES		DIMENSIONS			
		U.S. INCHES	(METRIC) (MM)		



Компания «ЭлектроПласт» предлагает заключение долгосрочных отношений при поставках импортных электронных компонентов на взаимовыгодных условиях!

Наши преимущества:

- Оперативные поставки широкого спектра электронных компонентов отечественного и импортного производства напрямую от производителей и с крупнейших мировых складов;
- Поставка более 17-ти миллионов наименований электронных компонентов;
- Поставка сложных, дефицитных, либо снятых с производства позиций;
- Оперативные сроки поставки под заказ (от 5 рабочих дней);
- Экспресс доставка в любую точку России;
- Техническая поддержка проекта, помощь в подборе аналогов, поставка прототипов;
- Система менеджмента качества сертифицирована по Международному стандарту ISO 9001;
- Лицензия ФСБ на осуществление работ с использованием сведений, составляющих государственную тайну;
- Поставка специализированных компонентов (Xilinx, Altera, Analog Devices, Intersil, Interpoint, Microsemi, Aeroflex, Peregrine, Syfer, Eurofarad, Texas Instrument, Miteq, Cobham, E2V, MA-COM, Hittite, Mini-Circuits, General Dynamics и др.);

Помимо этого, одним из направлений компании «ЭлектроПласт» является направление «Источники питания». Мы предлагаем Вам помощь Конструкторского отдела:

- Подбор оптимального решения, техническое обоснование при выборе компонента;
- Подбор аналогов;
- Консультации по применению компонента;
- Поставка образцов и прототипов;
- Техническая поддержка проекта;
- Защита от снятия компонента с производства.



Как с нами связаться

Телефон: 8 (812) 309 58 32 (многоканальный)

Факс: 8 (812) 320-02-42

Электронная почта: org@eplast1.ru

Адрес: 198099, г. Санкт-Петербург, ул. Калинина, дом 2, корпус 4, литера А.