

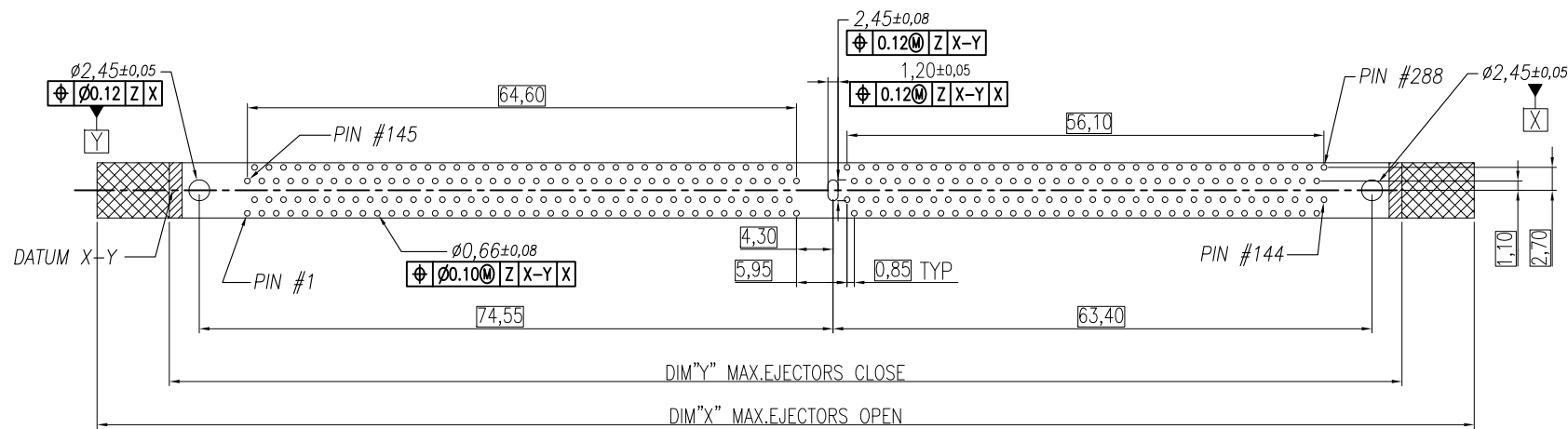
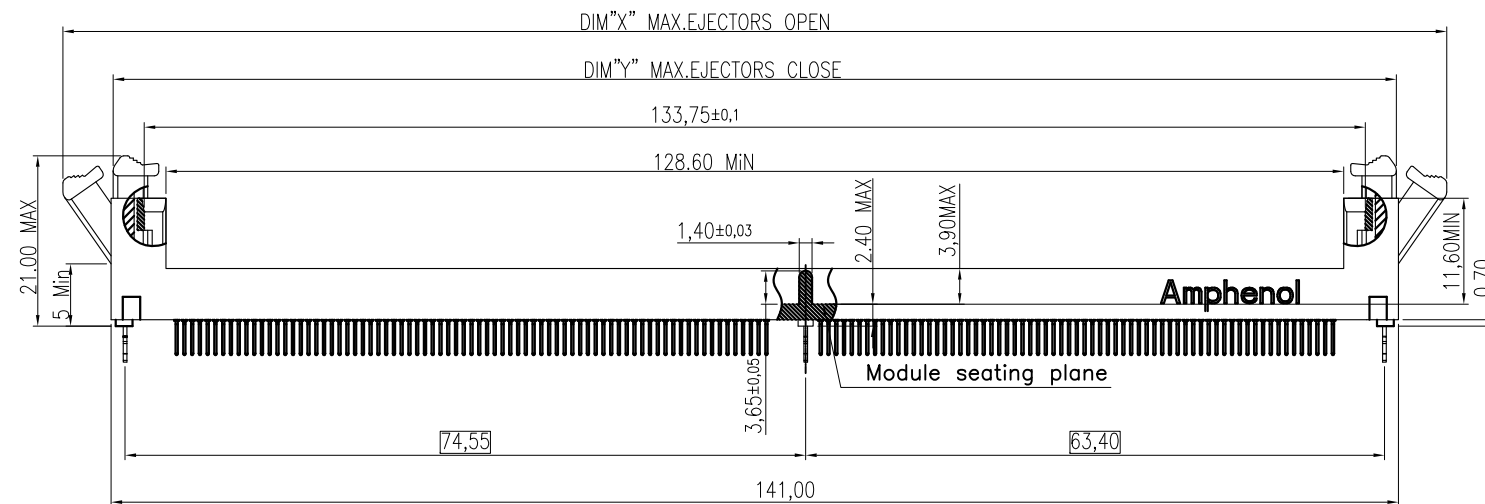
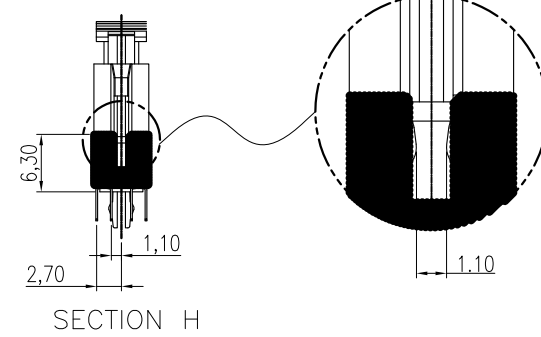
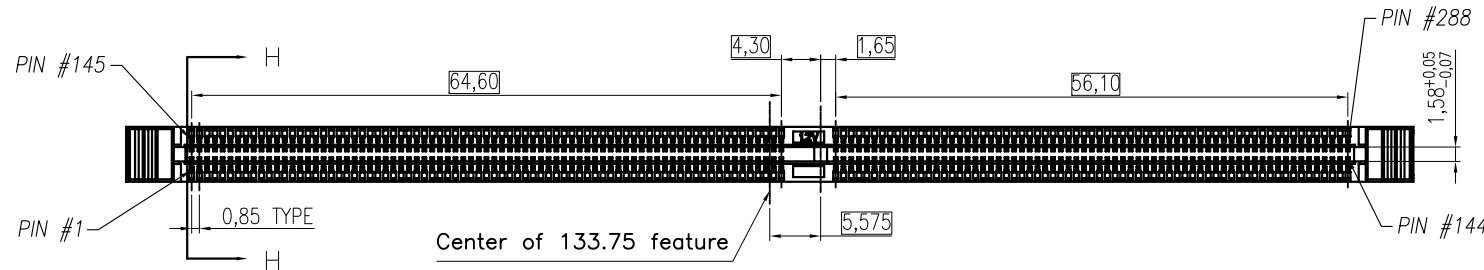
This document is the property of Amphenol Corporation and is delivered on the express condition that it is not to be disclosed, reproduced or used, in whole or in part, for manufacture or sale by anyone other than Amphenol Corporation without its prior consent, & that no right is granted to disclose or to use any information in this document.

PRO/E GENERATED DRAWING, DO NOT CHANGE BY HAND

# CUSTOMER DRAWING

## REVISIONS

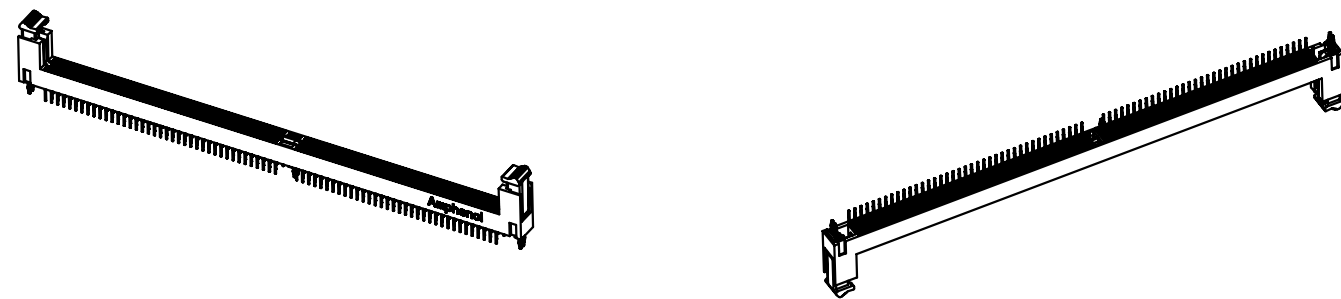
| SYM | ECN  | DESCRIPTION  | DATE     | APPROVED |
|-----|------|--|----------|----------|
| 1   | HK-- | First Release  | 12/16/13 | IP       |
| 2   | HK-- | Added latch option and some dimensions, and modified the q'ty of packing | 08/21/14 | IP       |
| 3   | HK-- | Added dimensions per customer's requirement                              | 08/26/14 | IP       |
| 4   | HK-- | Added color options  | 01/06/15 | IP       |
| 5   | HK-- | Added a dimension and latch profile                                      | 01/26/15 | IP       |



### NOTES:

- MATERIAL:**  
HOUSING: HIGH TEMPERATURE THERMAL PLASTIC, OPTION, UL94V-0, COLOR: OPTION.  
LATCH: HIGH TEMPERATURE THERMAL PLASTIC, OPTION, UL94V-0. COLOR: OPTION.  
TERMINAL: COPPER ALLOY.  
BOARDLOCK: COPPER ALLOY.
  - FINISH:**  
TERMINAL:  
CONTACT AREA: SELECTED GOLD PLATING;  
SOLDERING AREA: MATTE TIN PLATING 100 μ" THICKNESS MIN.;  
UNDER PLATING: NICKEL PLATING 50 μ" THICKNESS MIN. OVERALL  
BOARDLOCK:  
NICKEL PLATING 80 μ" THICKNESS MIN.;
  - PACKING:** PK5-ZDDR4-001, MPQ: 480pcs
  - THIS PRODUCT IS HALOGEN-FREE COMPLIANT PRODUCT.
  - Order p/n system:  
DDR4-288-V-XX-X-X-T-X
- DOUBLE DATA RATE 4 SERIES  
NO. OF POSITIONS: 288 POS.  
VERTICAL  
SEQUENCE NUMBER:  
{DIP OPTION (DIMA, DIMB, PCB)}  
01: DIP=2.10MM, 3.94MM, 1.57 PCB  
02: DIP=2.67MM, 3.94MM, 1.57 PCB  
03: DIP=2.95MM, 4.60MM, 2.36 PCB  
04: DIP=3.18MM, 4.60MM, 2.36 PCB
- HOUSING/LATCH COLOR  
1: NYLON, BLACK/ NYLON, BLACK  
2: NYLON, BLACK/ NYLON, NATURAL(IVORY)  
3: NYLON, NATURAL(IVORY)/ NYLON, BLACK  
4: NYLON, NATURAL(IVORY)/ NYLON, NATURAL(IVORY)  
5: NYLON, BLUE/ NYLON, NATURAL(IVORY)  
6: NYLON, GREEN/ NYLON, NATURAL(IVORY)  
7: NYLON, BLUE/ NYLON, BLUE  
8: NYLON, YELLOW/ NYLON, NATURAL(IVORY)
- LATCH PROFILE**  
NIL: DIM "X" = 152MAX; DIM "Y" = 142MAX  
F: DIM "X" = 162MAX; DIM "Y" = 145MAX
- LATCH OPTION/REMARK:**  
NIL: DIM "X" = 152MAX; DIM "Y" = 142MAX  
F: DIM "X" = 162MAX; DIM "Y" = 145MAX
- PACKAGE CODE:**  
T: TRAY
- CONTACT PLATED**  
0: GOLD FLASH  
1: 15 μ" GOLD  
2: 20 μ" GOLD  
3: 30 μ" GOLD  
4: 3 μ" GOLD OVER 12 μ" PdNi  
5: 3 μ" GOLD OVER 27 μ" PdNi

RECOMMENDED PCB LAYOUT (TOP VIEW)



| PART NO.       | DIM. "A" | DIM. "B" | PCB THK |
|----------------|----------|----------|---------|
| DDR4288V01XXTX | 2.10     | 3.94     | 1.57    |
| DDR4288V02XXTX | 2.67     | 3.94     | 1.57    |
| DDR4288V03XXTX | 2.95     | 4.60     | 2.36    |
| DDR4288V04XXTX | 3.18     | 4.60     | 2.36    |

| UNLESS OTHERWISE SPECIFIED TOLERANCES |        | APPROVAL                                      |          | DATE     |
|---------------------------------------|--------|---|----------|----------|
| U.S.                                  | METRIC | DRAWN   | Acon.Dal | 01/26/15 |
| 0.0                                   | +/-    | CHECKED                                       | Dam.he   | 01/26/15 |
| 0.00                                  | +/-    | CHECKED                                       |          |          |
| 0.000                                 | +/-    |   |          |          |
| FRACTIONS                             | +/-    |   |          |          |
| ANGLES                                | +/-    |   |          |          |
| FOR MATERIALS AND FINISHES SEE NOTES  |        | DRAWING FILE : \DRAWING\DDR4\DDR4288V0000TX-S |          |          |
| REMOVE SHARP EDGES                    |        | ANGLE OF PROJECTION                           |          |          |
| DIMENSIONS                            |        |   |          |          |
| U.S.                                  | INCHES |   |          |          |
| (METRIC)                              | (MM)   |   |          |          |

**Amphenol**  
Amphenol East Asia Limited

TITLE: Customer drawing For DDR4 Series, 288 pos., 0.85 pitch Vertical Dip Type

SIZE: A3  
DRAWING NO.: DDR4-288-V-XX-X-X-T-X  
REV.: 5

SCALE: N/A  
SHEET 1 OF 3



This document is the property of Amphenol Corporation and is delivered on the express condition that it is not to be disclosed, reproduced or used, in whole or in part, for manufacture or sale by anyone other than Amphenol Corporation without its prior consent, & that no right is granted to disclose or to use any information in this document.

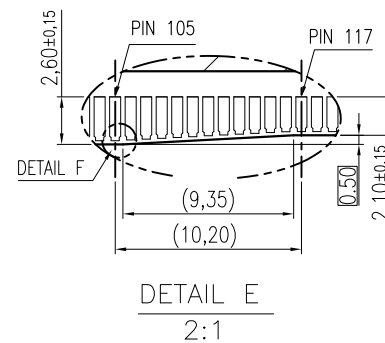
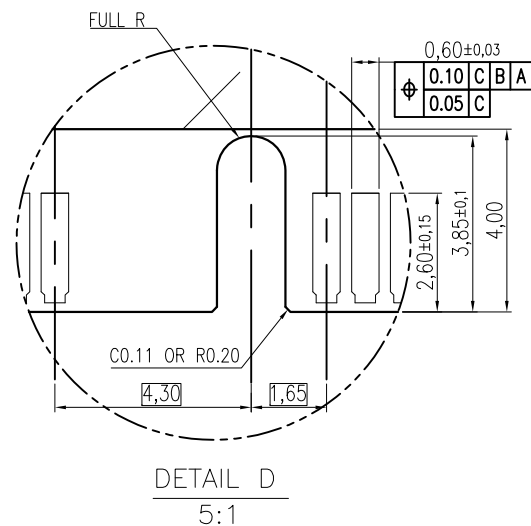
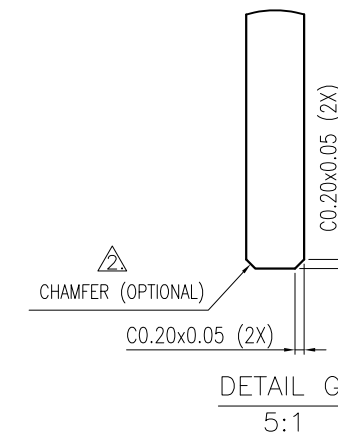
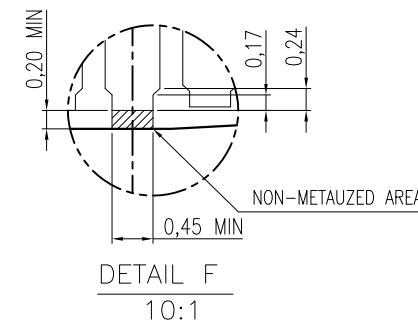
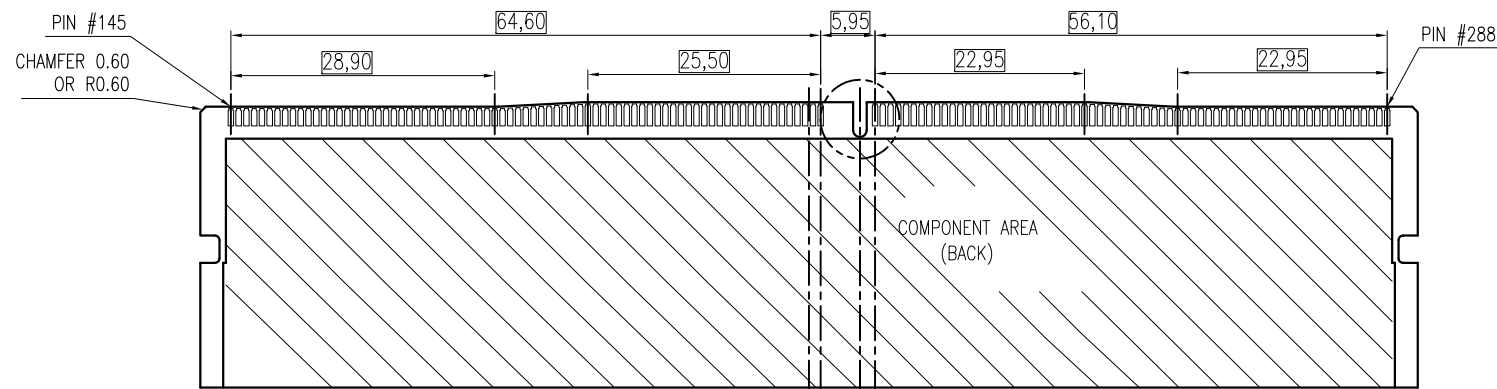
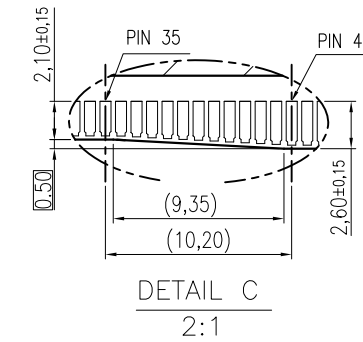
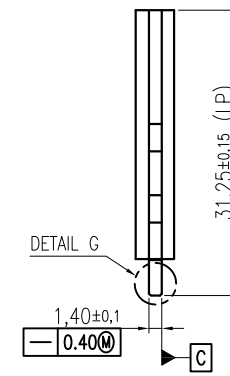
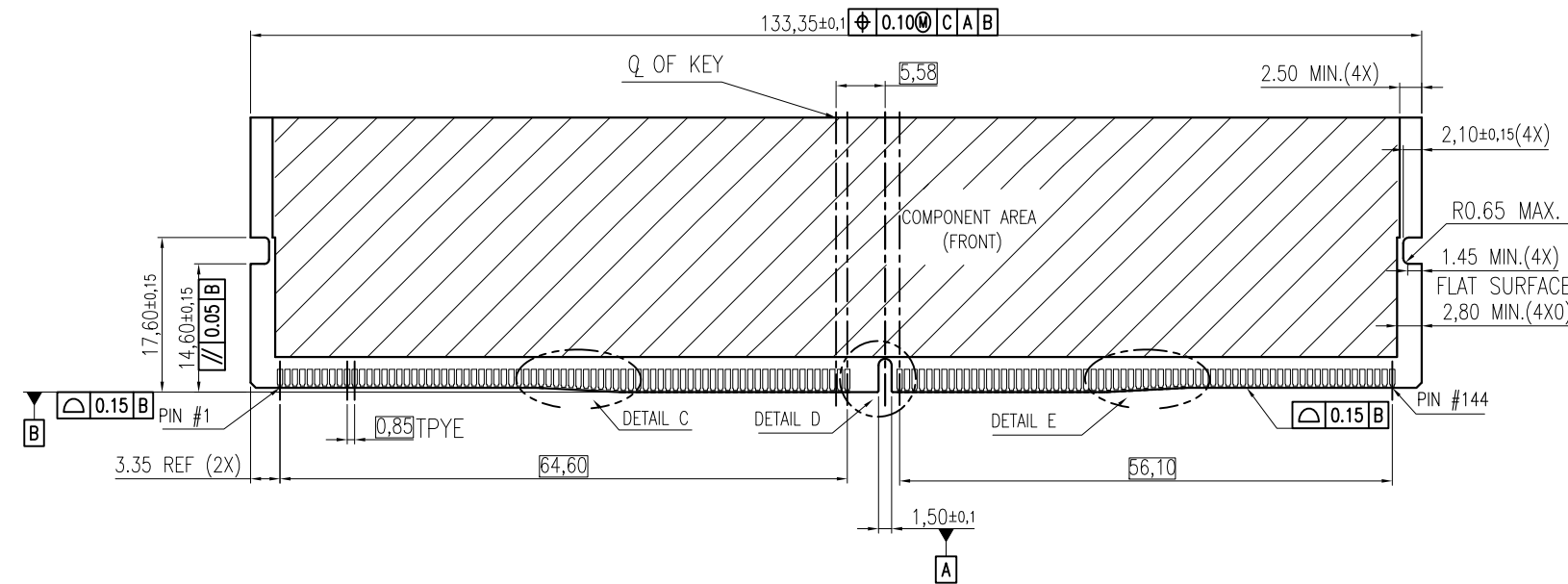
PRO/E GENERATED DRAWING, DO NOT CHANGE BY HAND

# CUSTOMER DRAWING

| REVISIONS   |     |             |      |          |
|-------------|-----|-------------|------|----------|
| SYM         | ECN | DESCRIPTION | DATE | APPROVED |
| SEE SHEET 1 |     |             |      |          |

NOTES:

- RECOMMENDED PLATING FOR CONTACT PADS:  
 PREFERRED: 0.76 MICROMETERS GOLD PLATING MIN.  
 OVER 2.00 MICROMETERS NICKEL.  
 ALTERNATIVE: 0.05~0.75 MICROMETERS GOLD PLATING  
 OVER 2.00 MICROMETERS NICKEL MUST USE AN ELECTRONIC  
 CONTACT GRADE CORROSIVE BARRIER LUBRICANT.  
 △ CHAMFER IS OPTIONAL AND IS NOT TO HIT GOLD PADS.



|                                       |      |                                      |          |                     |  |
|---------------------------------------|------|--------------------------------------|----------|---------------------|--|
| UNLESS OTHERWISE SPECIFIED TOLERANCES |      | APPROVAL                             |          | DATE                | <b>Amphenol</b><br>Amphenol East Asia Limited<br>TITLE Customer drawing For DDR4 Series,<br>288 pos., 0.85 pitch Vertical Dip Type |
| U.S. METRIC                           |      | DRAWN                                | Acon.Dal | 01/26/15            |  |
| 0.0 +/-                               | 0.30 | CHECKED                              | Dam.he   | 01/26/15            |  |
| 0.00 +/-                              | 0.20 | CHECKED                              |          |                     | DRAWING FILE :<br>\DRAWING\DDR4\DDR4288V\000TX-S   |
| 0.000 +/-                             | 0.10 | FOR MATERIALS AND FINISHES SEE NOTES |          |                     | SIZE A3<br>DRAWING NO. DDR4-288-V-XX-X-X-T-X<br>REV. 5   |
| FRACTIONS +/-                         | 1"   | REMOVE SHARP EDGES                   |          | ANGLE OF PROJECTION | SCALE N/A<br>SHEET 2 OF 3  |
| ANGLES +/-                            |      | DIMENSIONS                           |          |                     |  |
|                                       |      | U.S. INCHES                          |          |                     |  |
|                                       |      | (METRIC) (MM)                        |          |                     |  |

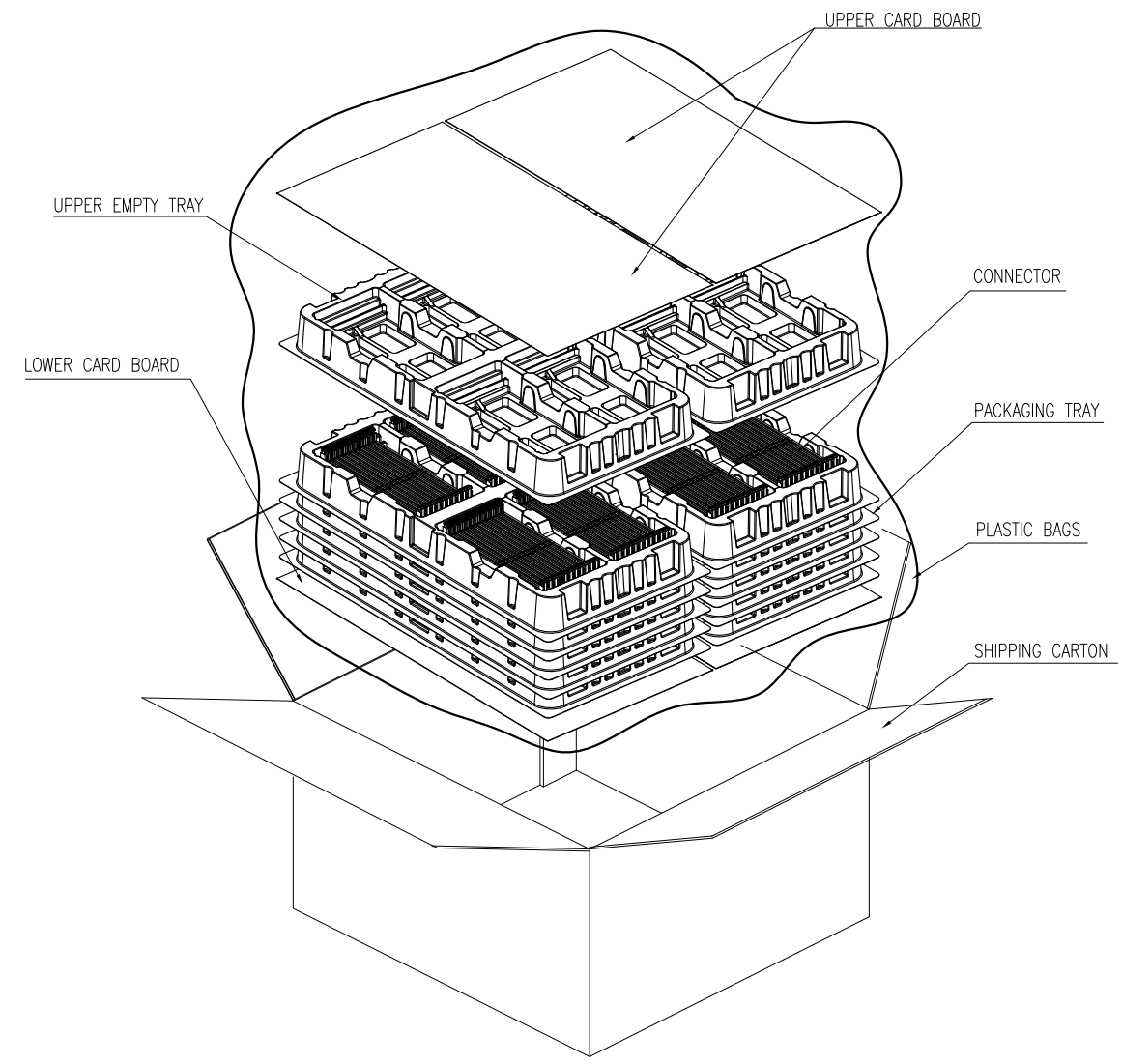


This document is the property of Amphenol Corporation and is delivered on the express condition that it is not to be disclosed, reproduced or used, in whole or in part, for manufacture or sale by anyone other than Amphenol Corporation without its prior consent, & that no right is granted to disclose or to use any information in this document.

PRO/E GENERATED DRAWING,DO NOT CHANGE BY HAND

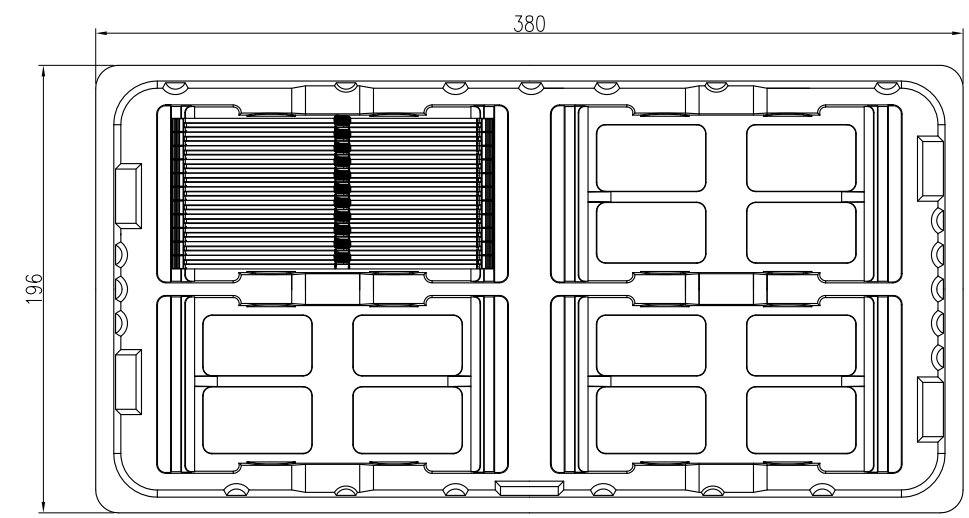
# CUSTOMER DRAWING

| REVISIONS   |     |             |      |          |  |
|-------------|-----|-------------|------|----------|--|
| SYM         | ECN | DESCRIPTION | DATE | APPROVED |  |
| SEE SHEET 1 |     |             |      |          |  |



NOTES:  
 1. IN THE 14 PLASTIC TRAYS ,THE TWO TOP PLASTIC TRAYS ARE TO COVER THE CONNECTORS ,THE OTHERS ARE FILLED WITH CONNECTORS.

| TOTEL TRAY PER CARTON | QT'Y/TRAY | QT'Y/SHIPPING CARTON | PLASTIC BAGS QT'Y /SHIPPING CARTON | G.W.    | N.W.    |
|-----------------------|-----------|----------------------|------------------------------------|---------|---------|
| 14                    | 40        | 480                  | 1                                  | 5.2 KGf | 3.2 KGf |



|                                       |                       |                                |         |          |  |          |
|---------------------------------------|-----------------------|--------------------------------|---------|----------|--|----------|
| UNLESS OTHERWISE SPECIFIED TOLERANCES |                       | APPROVAL                       |         | DATE     | <b>Amphenol</b><br>Amphenol East Asia Limited<br>TITLE Customer drawing For DDR4 Series, 288 pos.,0.85 pitch Vertical Dip Type |          |
|                                       | U.S.                  | METRIC                         | DRAWN   | Acon.Dal |  | 01/26/15 |
| 0.0                                   | +/-                   | 0.30                           | CHECKED | Dam.he   |  | 01/26/15 |
| 0.00                                  | +/-                   | 0.20                           | CHECKED |          |  |          |
| 0.000                                 | +/-                   | 0.10                           |         |          |  |          |
| FRACTIONS                             | +/-                   |                                |         |          |  |          |
| ANGLES                                | +/-                   | 1°                             |         |          |  |          |
| FOR MATERIALS AND FINISHES SEE NOTES  |                       | DRAWING FILE :                 |         |          |  |          |
| REMOVE SHARP EDGES                    |                       | \DRAWING\DDR4\DDR4288V\000TX-S |         |          |  |          |
| DIMENSIONS                            |                       | ANGLE OF PROJECTION            |         |          |  |          |
| U.S.                                  | INCHES                |                                |         |          |  |          |
| (METRIC)                              | (MM)                  |                                |         |          |  |          |
| SIZE                                  | DRAWING NO.           | REV.                           |         |          |  |          |
| A3                                    | DDR4-288-V-XX-X-X-T-X | 5                              | SCALE   | N/A      | SHEET 3 OF 3   |          |



Компания «ЭлектроПласт» предлагает заключение долгосрочных отношений при поставках импортных электронных компонентов на взаимовыгодных условиях!

Наши преимущества:

- Оперативные поставки широкого спектра электронных компонентов отечественного и импортного производства напрямую от производителей и с крупнейших мировых складов;
- Поставка более 17-ти миллионов наименований электронных компонентов;
- Поставка сложных, дефицитных, либо снятых с производства позиций;
- Оперативные сроки поставки под заказ (от 5 рабочих дней);
- Экспресс доставка в любую точку России;
- Техническая поддержка проекта, помощь в подборе аналогов, поставка прототипов;
- Система менеджмента качества сертифицирована по Международному стандарту ISO 9001;
- Лицензия ФСБ на осуществление работ с использованием сведений, составляющих государственную тайну;
- Поставка специализированных компонентов (Xilinx, Altera, Analog Devices, Intersil, Interpoint, Microsemi, Aeroflex, Peregrine, Syfer, Eurofarad, Texas Instrument, Miteq, Cobham, E2V, MA-COM, Hittite, Mini-Circuits, General Dynamics и др.);

Помимо этого, одним из направлений компании «ЭлектроПласт» является направление «Источники питания». Мы предлагаем Вам помощь Конструкторского отдела:

- Подбор оптимального решения, техническое обоснование при выборе компонента;
- Подбор аналогов;
- Консультации по применению компонента;
- Поставка образцов и прототипов;
- Техническая поддержка проекта;
- Защита от снятия компонента с производства.



#### Как с нами связаться

**Телефон:** 8 (812) 309 58 32 (многоканальный)

**Факс:** 8 (812) 320-02-42

**Электронная почта:** [org@eplast1.ru](mailto:org@eplast1.ru)

**Адрес:** 198099, г. Санкт-Петербург, ул. Калинина, дом 2, корпус 4, литера А.