

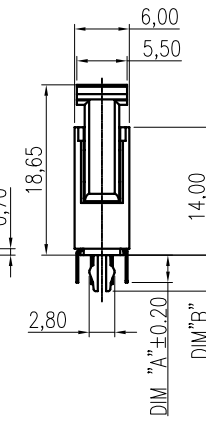
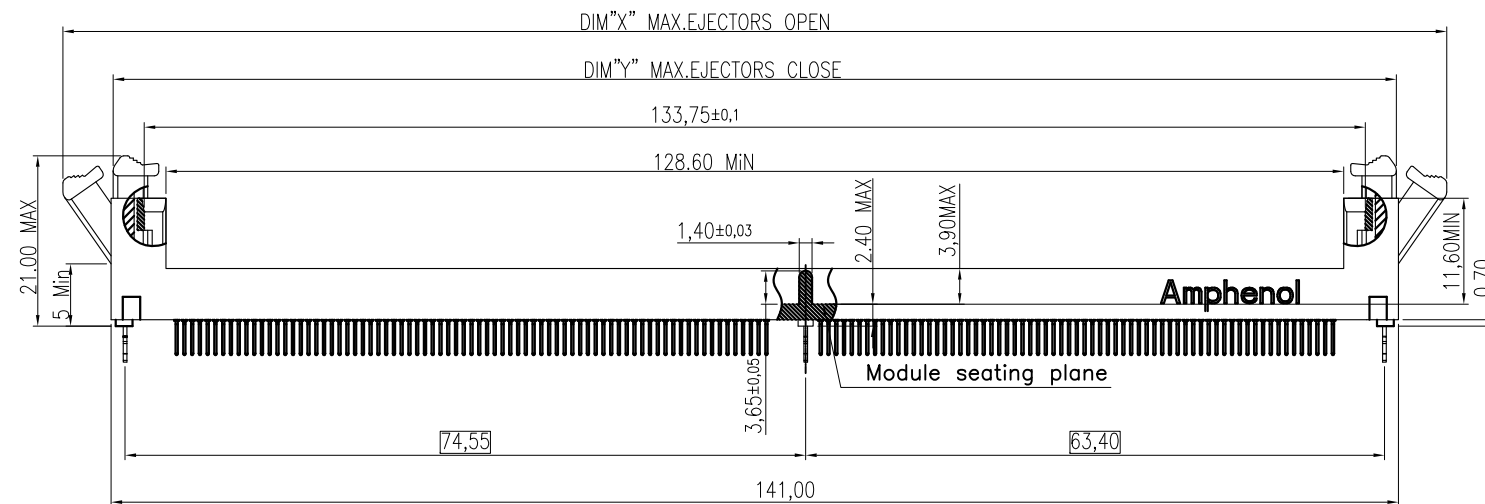
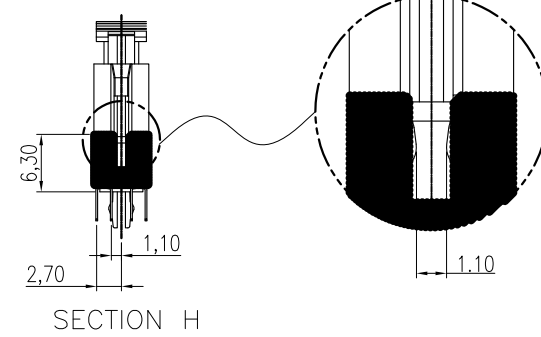
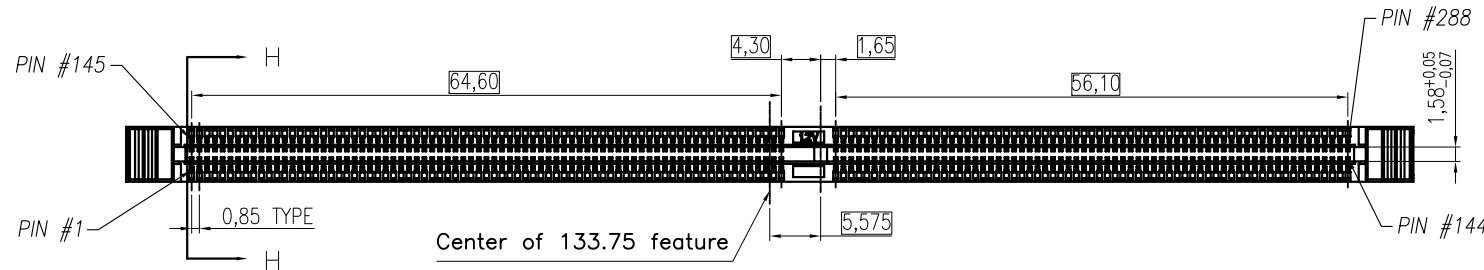
This document is the property of Amphenol Corporation and is delivered on the express condition that it is not to be disclosed, reproduced or used, in whole or in part, for manufacture or sale by anyone other than Amphenol Corporation without its prior consent, & that no right is granted to disclose or to use any information in this document.

PRO/E GENERATED DRAWING, DO NOT CHANGE BY HAND

# CUSTOMER DRAWING

## REVISIONS

SYM	ECN	DESCRIPTION	DATE	APPROVED
1	HK--	First Release	12/16/13	IP
2	HK--	Added latch option and some dimensions, and modified the q'ty of packing	08/21/14	IP
3	HK--	Added dimensions per customer's requirement	08/26/14	IP
4	HK--	Added color options	01/06/15	IP
5	HK--	Added a dimension and latch profile	01/26/15	IP



### NOTES:

- MATERIAL:**  
HOUSING: HIGH TEMPERATURE THERMAL PLASTIC, OPTION, UL94V-0, COLOR: OPTION.  
LATCH: HIGH TEMPERATURE THERMAL PLASTIC, OPTION, UL94V-0. COLOR: OPTION.  
TERMINAL: COPPER ALLOY.  
BOARDLOCK: COPPER ALLOY.
- FINISH:**  
TERMINAL:  
CONTACT AREA: SELECTED GOLD PLATING;  
SOLDERING AREA: MATTE TIN PLATING 100 μ" THICKNESS MIN.;  
UNDER PLATING: NICKEL PLATING 50 μ" THICKNESS MIN. OVERALL  
BOARDLOCK:  
NICKEL PLATING 80 μ" THICKNESS MIN.;
- PACKING:** PK5-ZDDR4-001, MPQ: 480pcs
- THIS PRODUCT IS HALOGEN-FREE COMPLIANT PRODUCT.
- Order p/n system:

### LATCH PROFILE

NIL: DIM "X" = 152MAX; DIM "Y" = 142MAX
F: DIM "X" = 162MAX; DIM "Y" = 145MAX

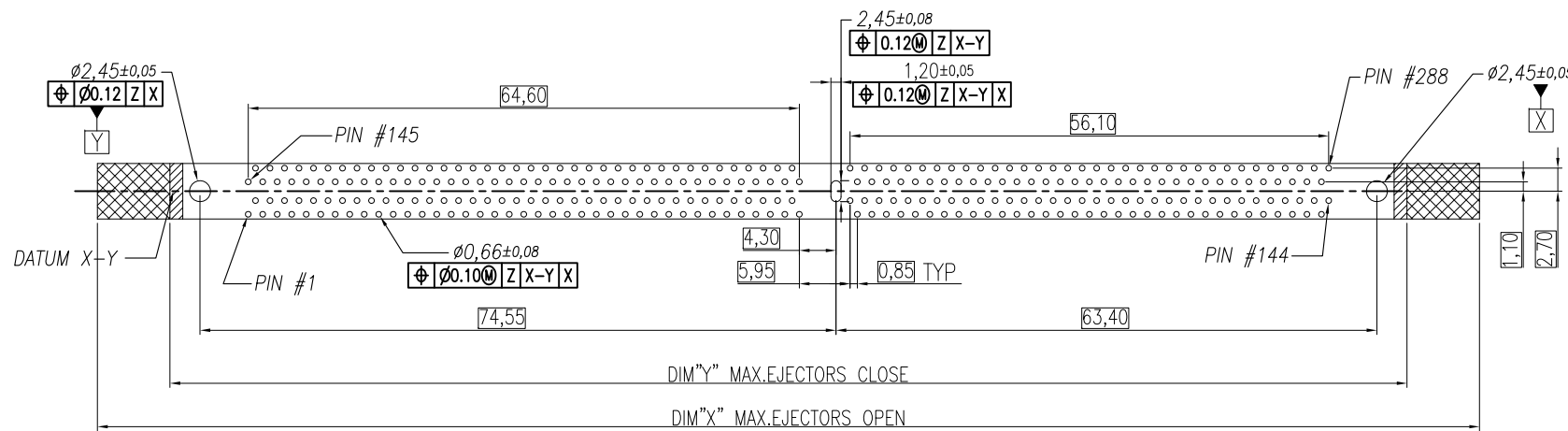
DOUBLE DATA RATE 4 SERIES  
NO. OF POSITIONS: 288 POS.  
VERTICAL  
SEQUENCE NUMBER:

- {DIP OPTION (DIMA, DIMB, PCB)}  
01: DIP=2.10MM, 3.94MM, 1.57 PCB  
02: DIP=2.67MM, 3.94MM, 1.57 PCB  
03: DIP=2.95MM, 4.60MM, 2.36 PCB  
04: DIP=3.18MM, 4.60MM, 2.36 PCB
- HOUSING/LATCH COLOR  
1: NYLON, BLACK/ NYLON, BLACK  
2: NYLON, BLACK/ NYLON, NATURAL(IVORY)  
3: NYLON, NATURAL(IVORY)/ NYLON, BLACK  
4: NYLON, NATURAL(IVORY)/ NYLON, NATURAL(IVORY)  
5: NYLON, BLUE/ NYLON, NATURAL(IVORY)  
6: NYLON, GREEN/ NYLON, NATURAL(IVORY)  
7: NYLON, BLUE/ NYLON, BLUE  
8: NYLON, YELLOW/ NYLON, NATURAL(IVORY)

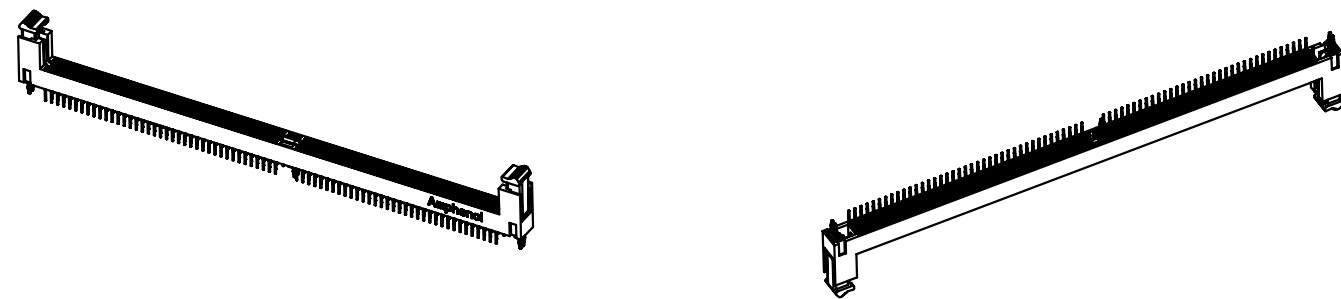
LATCH OPTION/REMARK:  
NIL: DIM "X" = 152MAX; DIM "Y" = 142MAX  
F: DIM "X" = 162MAX; DIM "Y" = 145MAX

PACKAGE CODE:  
T: TRAY

CONTACT PLATED  
0: GOLD FLASH  
1: 15 μ" GOLD  
2: 20 μ" GOLD  
3: 30 μ" GOLD  
4: 3 μ" GOLD OVER 12 μ" PdNi  
5: 3 μ" GOLD OVER 27 μ" PdNi



RECOMMENDED PCB LAYOUT (TOP VIEW)



PART NO.	DIM. "A"	DIM. "B"	PCB THK
DDR4288V01XXTX	2.10	3.94	1.57
DDR4288V02XXTX	2.67	3.94	1.57
DDR4288V03XXTX	2.95	4.60	2.36
DDR4288V04XXTX	3.18	4.60	2.36

UNLESS OTHERWISE SPECIFIED TOLERANCES		APPROVAL		DATE
U.S.	METRIC	DRAWN	Acon.Dal	01/26/15
0.0	+/-	CHECKED	Dam.he	01/26/15
0.00	+/-	CHECKED		
0.000	+/-			
FRACTIONS	+/-			
ANGLES	+/-			

**Amphenol**  
Amphenol East Asia Limited

TITLE: Customer drawing For DDR4 Series, 288 pos., 0.85 pitch Vertical Dip Type

SIZE: A3  
DRAWING NO.: DDR4-288-V-XX-X-X-T-X  
REV.: 5

SCALE: N/A  
SHEET 1 OF 3



This document is the property of Amphenol Corporation and is delivered on the express condition that it is not to be disclosed, reproduced or used, in whole or in part, for manufacture or sale by anyone other than Amphenol Corporation without its prior consent, & that no right is granted to disclose or to use any information in this document.

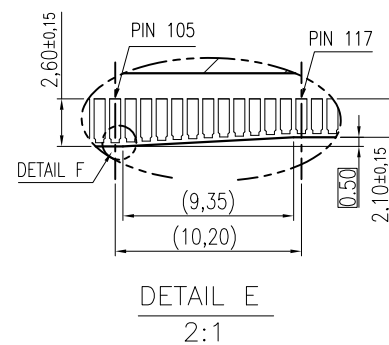
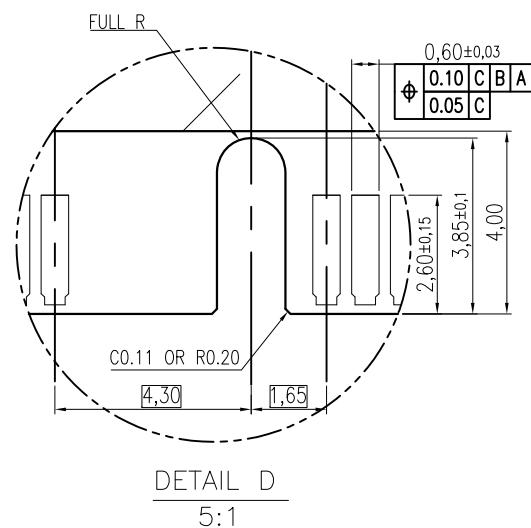
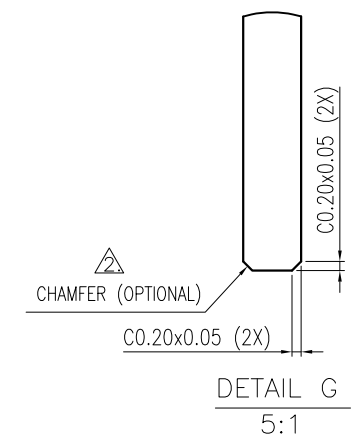
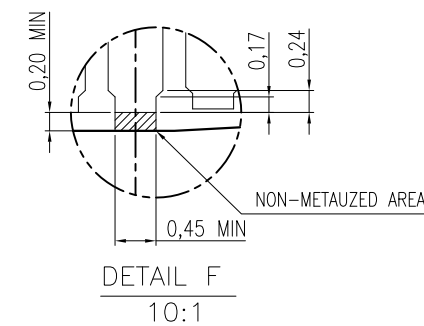
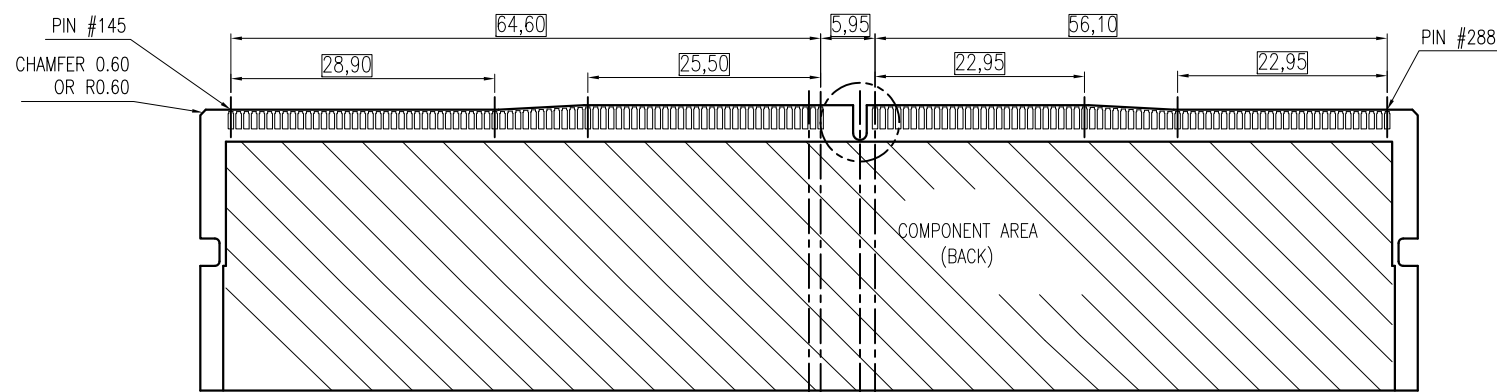
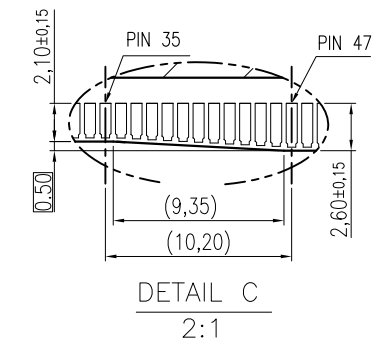
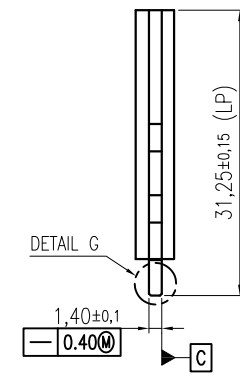
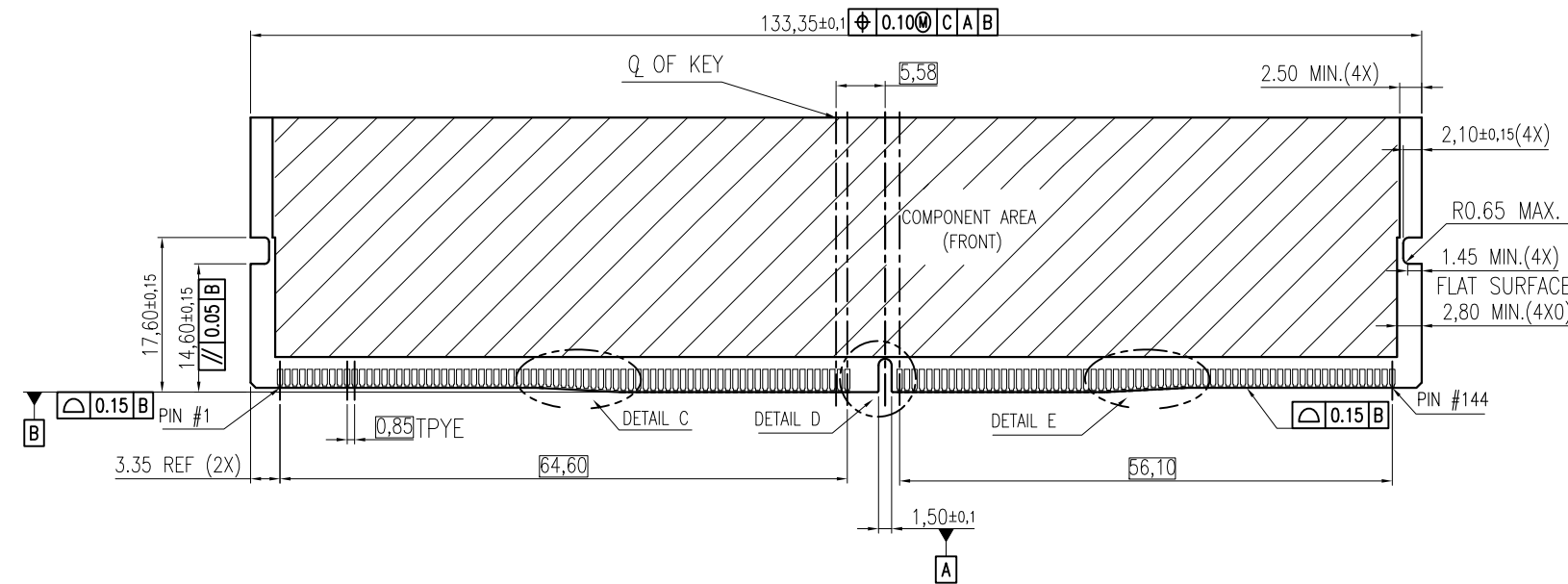
PRO/E GENERATED DRAWING, DO NOT CHANGE BY HAND

# CUSTOMER DRAWING

REVISIONS				
SYM	ECN	DESCRIPTION	DATE	APPROVED
SEE SHEET 1				

NOTES:

- RECOMMENDED PLATING FOR CONTACT PADS:  
 PREFERRED: 0.76 MICROMETERS GOLD PLATING MIN.  
 OVER 2.00 MICROMETERS NICKEL.  
 ALTERNATIVE: 0.05~0.75 MICROMETERS GOLD PLATING  
 OVER 2.00 MICROMETERS NICKEL MUST USE AN ELECTRONIC  
 CONTACT GRADE CORROSIVE BARRIER LUBRICANT.  
 △ CHAMFER IS OPTIONAL AND IS NOT TO HIT GOLD PADS.



UNLESS OTHERWISE SPECIFIED TOLERANCES		APPROVAL		DATE	Amphenol Amphenol East Asia Limited
U.S.	METRIC	DRAWN	Checked	DATE	
0.0	+/-	0.30	Acon.Dal	01/26/15	TITLE Customer drawing For DDR4 Series, 288 pos.,0.85 pitch Vertical Dip Type
0.00	+/-	0.20	Dam.he	01/26/15	
0.000	+/-	0.10	CHECKED		
FRACTIONS +/-		DRAWING FILE :			SIZE A3
ANGLES +/-		DRAWING FILE :			DRAWING NO. DDR4-288-V-XX-X-X-T-X
FOR MATERIALS AND FINISHES SEE NOTES		ANGLE OF PROJECTION			REV. 5
REMOVE SHARP EDGES		ANGLE OF PROJECTION			SCALE N/A
DIMENSIONS		ANGLE OF PROJECTION			SHEET 2 OF 3
U.S.	INCHES	ANGLE OF PROJECTION			
(METRIC)	(MM)	ANGLE OF PROJECTION			

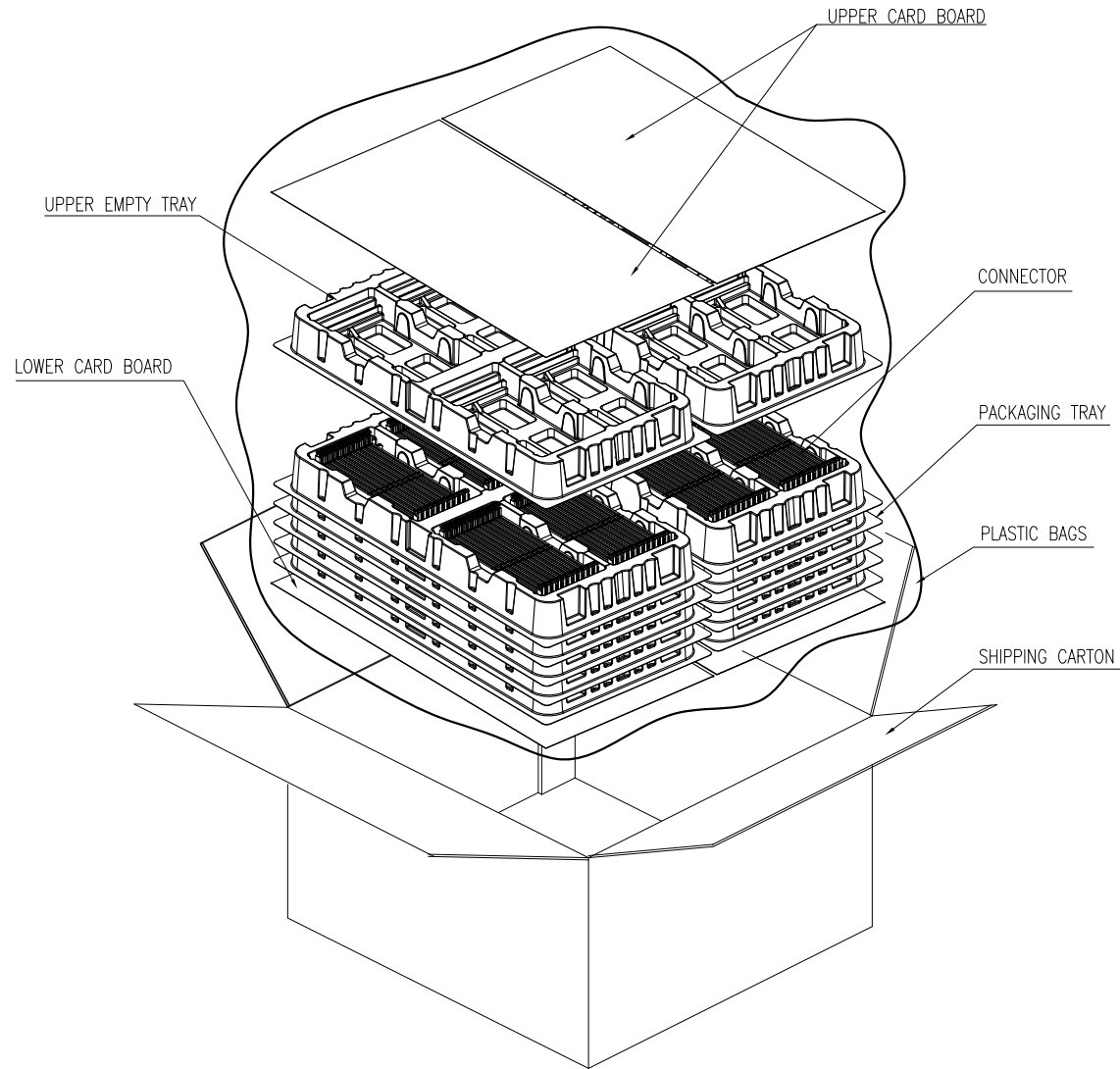


This document is the property of Amphenol Corporation and is delivered on the express condition that it is not to be disclosed, reproduced or used, in whole or in part, for manufacture or sale by anyone other than Amphenol Corporation without its prior consent, & that no right is granted to disclose or to use any information in this document.

PRO/E GENERATED DRAWING,DO NOT CHANGE BY HAND

# CUSTOMER DRAWING

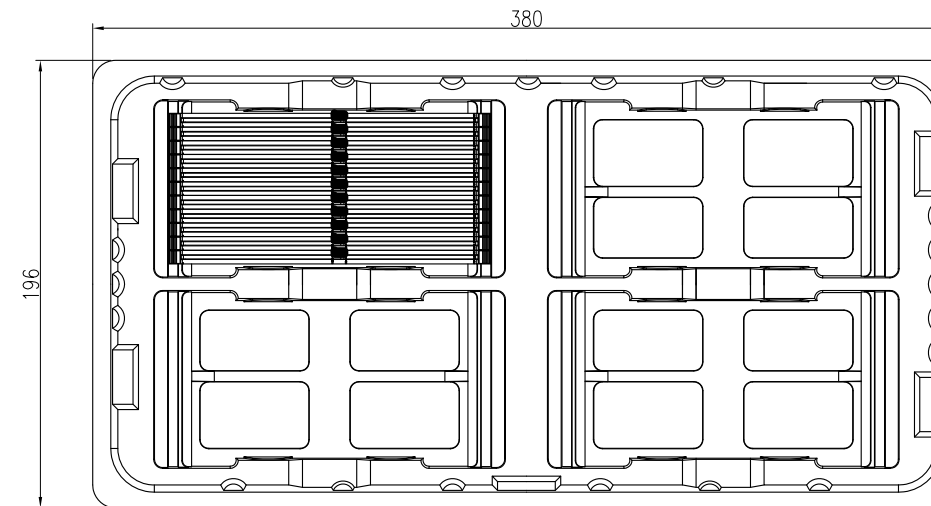
REVISIONS					
SYM	ECN	DESCRIPTION	DATE	APPROVED	
SEE SHEET 1					



**NOTES:**

1. IN THE 14 PLASTIC TRAYS ,THE TWO TOP PLASTIC TRAYS ARE TO COVER THE CONNECTORS ,THE OTHERS ARE FILLED WITH CONNECTORS.

TOTEL TRAY PER CARTON	QT'Y/TRAY	QT'Y/SHIPPING CARTON	PLASTIC BAGS QT'Y /SHIPPING CARTON	G.W.	N.W.
14	40	480	1	5.2 KGf	3.2 KGf



UNLESS OTHERWISE SPECIFIED TOLERANCES		APPROVAL		DATE	Amphenol Amphenol East Asia Limited
U.S.	METRIC	DRAWN	Acon.Dal	01/26/15	
0.0 +/-	0.30	CHECKED	Dam.he	01/26/15	TITLE Customer drawing For DDR4 Series, 288 pos.,0.85 pitch Vertical Dip Type
0.00 +/-	0.20	CHECKED			
0.000 +/-	0.10	DRAWING FILE : \\DRAWING\DDR4\DDR4288V\000TX-S			SIZE DRAWING NO.
FRACTIONS +/-	1"	ANGLE OF PROJECTION			A3 DDR4-288-V-XX-X-X-T-X
ANGLES +/-		REMOVE SHARP EDGES			REV. 5
FOR MATERIALS AND FINISHES SEE NOTES		DIMENSIONS			SCALE N/A
		U.S. INCHES			SHEET 3 OF 3
		(METRIC) (MM)			



Компания «ЭлектроПласт» предлагает заключение долгосрочных отношений при поставках импортных электронных компонентов на взаимовыгодных условиях!

Наши преимущества:

- Оперативные поставки широкого спектра электронных компонентов отечественного и импортного производства напрямую от производителей и с крупнейших мировых складов;
- Поставка более 17-ти миллионов наименований электронных компонентов;
- Поставка сложных, дефицитных, либо снятых с производства позиций;
- Оперативные сроки поставки под заказ (от 5 рабочих дней);
- Экспресс доставка в любую точку России;
- Техническая поддержка проекта, помощь в подборе аналогов, поставка прототипов;
- Система менеджмента качества сертифицирована по Международному стандарту ISO 9001;
- Лицензия ФСБ на осуществление работ с использованием сведений, составляющих государственную тайну;
- Поставка специализированных компонентов (Xilinx, Altera, Analog Devices, Intersil, Interpoint, Microsemi, Aeroflex, Peregrine, Syfer, Eurofarad, Texas Instrument, Miteq, Cobham, E2V, MA-COM, Hittite, Mini-Circuits, General Dynamics и др.);

Помимо этого, одним из направлений компании «ЭлектроПласт» является направление «Источники питания». Мы предлагаем Вам помощь Конструкторского отдела:

- Подбор оптимального решения, техническое обоснование при выборе компонента;
- Подбор аналогов;
- Консультации по применению компонента;
- Поставка образцов и прототипов;
- Техническая поддержка проекта;
- Защита от снятия компонента с производства.



#### Как с нами связаться

**Телефон:** 8 (812) 309 58 32 (многоканальный)

**Факс:** 8 (812) 320-02-42

**Электронная почта:** [org@eplast1.ru](mailto:org@eplast1.ru)

**Адрес:** 198099, г. Санкт-Петербург, ул. Калинина, дом 2, корпус 4, литера А.