

Inverter for motor control

600V IGBT Intelligent Power Module (IPM) for high speed switching drive

BM63764S-VA BM63764S-VC

General Description

BM63764S-VA /-VC is an Intelligent Power Module composed of gate drivers, bootstrap diodes, IGBTs, fly wheel diodes. Small switching loss IGBTs optimized for high speed switching drive such as a washing machine or a fan motor is adopted.

Key Specifications

- IGBT Collector-Emitter Voltage V_{CESAT} : 1.7V(Typ)
- FWD Forward Voltage V_F : 1.5V(Typ)
- FWD Reverse Recovery Time t_{rr} : 100ns(Typ)
- Module Case Temperature T_c : -25 to +100°C
- Junction Temperature T_{jmax} : 150°C

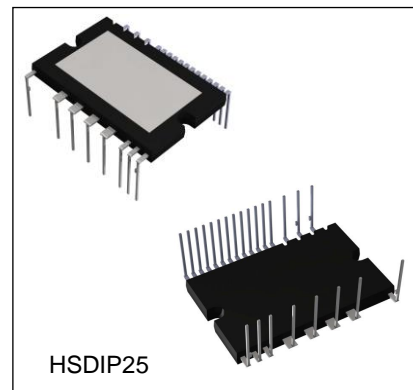
Features

- 3phase DC/AC Inverter
- 600V/15A
- Low Side IGBT Open Emitter
- Built -in Bootstrap Diode
- High Side IGBT Gate Driver(HVIC):
SOI (Silicon On Insulator) Process,
Drive Circuit, High Voltage Level Shifting,
Current Limit for Bootstrap Diode,
Control Supply Under-Voltage Locked Out (UVLO)
- Low Side IGBT Gate Driver(LVIC):
Drive Circuit, Short Circuit Current Protection (SCP),
Control Supply Under Voltage Locked Out (UVLO),
Thermal Shutdown (TSD)
- Fault Signal(LVIC)
Corresponding to SCP (Low Side IGBT), TSD, UVLO
Fault
- Input Interface 3.3V, 5V Line
- UL Recognized: File E468261

Package

HSDIP25
HSDIP25VC

W(Typ) x D(Typ) x H(Typ)
38.0mm x 24.0mm x 3.5mm
38.0mm x 24.0mm x 3.5mm



Application

- High Speed Switching Drive of AC100 to 240Vrms(DC Voltage: Less Than 400V) Class Motor
- High Speed Switching Drive of Motor for Washing Machine, Fan

Typical Application Circuit

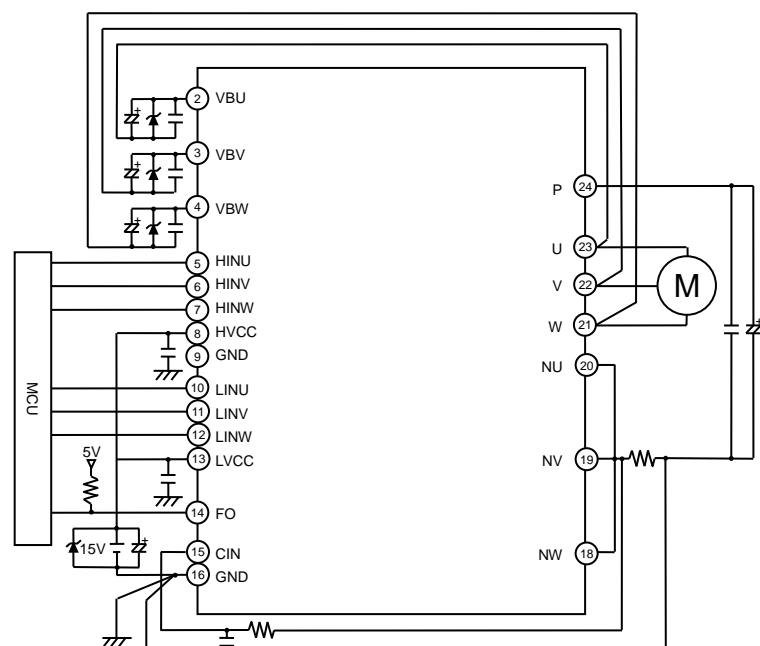


Figure 1. Example of Application Circuit

Pin Configuration

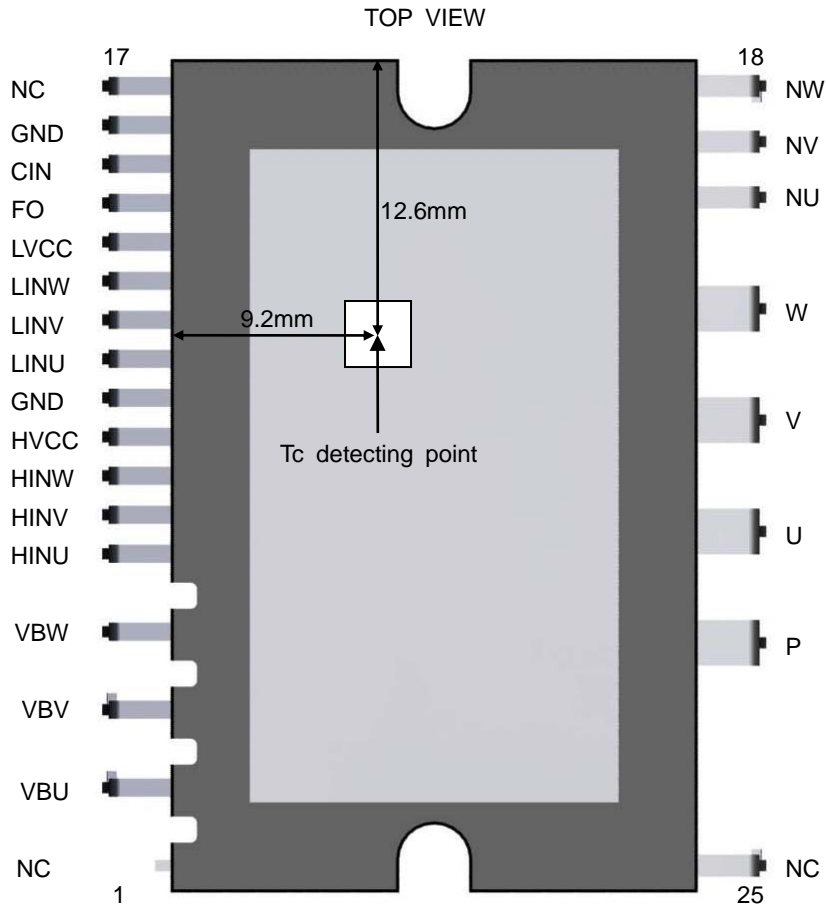


Figure 2. Pin Configuration and Tc Detecting Point

Pin Description

Pin No.	Pin Name	Function	Pin No.	Pin Name	Function
1	NC	No connection(GND potential)	14	FO	Alarm output
2	VBU	U phase floating control supply	15	CIN	Detecting of short circuit current trip voltage
3	VBV	V phase floating control supply	16	GND	Ground (Note 1)
4	VBW	W phase floating control supply	17	NC	No connection (Note 2)
5	HINU	U phase high side IGBT control	18	NW	W phase low side IGBT emitter
6	HINV	V phase high side IGBT control	19	NV	V phase low side IGBT emitter
7	HINW	W phase high side IGBT control	20	NU	U phase low side IGBT emitter
8	HVCC	Control supply for HVIC	21	W	W phase output
9	GND	Ground (Note 1)	22	V	V phase output
10	LINU	U phase low side IGBT control	23	U	U phase output
11	LINV	V phase low side IGBT control	24	P	Inverter supply
12	LINW	W phase low side IGBT control	25	NC	No connection (Note 2)
13	LVCC	Control supply for LVIC			

(Note 1) Two GND pins (9 & 16pin) are connected inside IPM, please connect one pin (16pin is recommended) to the 15V power supply GND outside and leave the other open.

(Note 2) NC pins (17 & 25pin) are not electrically connected to any other potential inside.

Block Diagram

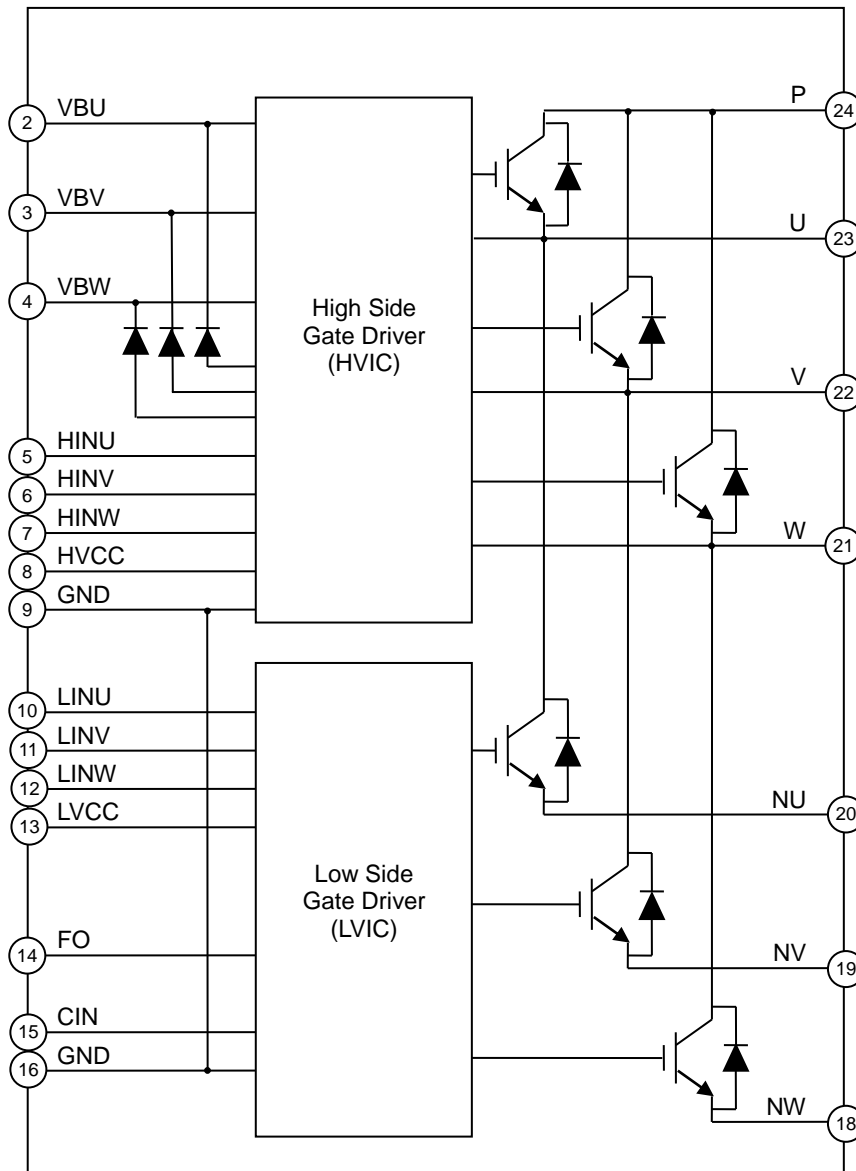


Figure 3. Block Diagram

Description of Block

1) High Side IGBT Drive (HVIC, Bootstrap Diode)

High voltage level shifting circuit drives high side IGBT.

Built-in bootstrap diode and current limit function for bootstrap diode enable HVIC to drive high side IGBT without external component (bootstrap diode, resistor). There is under-voltage-locked-out (UVLO) function for floating control power supply.

2) Low Side IGBT Drive (LVIC)

LVIC drives low side IGBT.

There is short circuit current protection (SCP), under-voltage locked out (UVLO) for control power supply LVCC, thermal shutdown (TSD) function. Alarm signal (FO) will output when these protection circuits work.

Absolute Maximum Ratings (Unless otherwise specified, T_j=25°C)

Inverter Part

Item	Symbol	Ratings	Unit	Conditions
Supply Voltage	V _P	450	V	Applied between P-NU,NV,NW
Supply Voltage(Surge)	V _{P(surge)}	500	V	Applied between P-NU,NV,NW
Collector-Emitter Voltage	V _{CES}	600	V	
Collector Current	DC	I _C	±15 (Note 1)	A T _C =25°C
	PEAK	I _{CP}	±30 (Note 1)	A T _C =25°C, less than 1ms
Collector Power Dissipation	P _C	41	W	T _C =25°C, per 1 chip
Junction Temperature	T _{jmax}	150	°C	

(Note 1) Do not, however exceed P_C, ASO.

Control part

Item	Symbol	Ratings	Unit	Conditions
Control Power Supply	V _{CC}	20	V	Applied between HVCC-GND, LVCC-GND
Floating Control Power Supply	V _{BS}	20	V	Applied between VBU-U, VBV-V, VBW-W
Control Input Voltage	V _{IN}	-0.5 to V _{CC} +0.5	V	Applied between HINX, LINX-GND (X=U,V,W)
Fault Output Supply Voltage	V _{FO}	-0.5 to V _{CC} +0.5	V	Applied between FO-GND
Fault Output Current	I _{FO}	1	mA	Sink current at FO pin
Current Sensing Input Voltage	V _{CIN}	-0.5 to +7.0	V	Applied between CIN-GND

Bootstrap diode part

Item	Symbol	Ratings	Unit	Conditions
Reverse Voltage	V _{RB}	600	V	
Junction Temperature	T _{jmaxD}	150	°C	

Total system

Item	Symbol	Ratings	Unit	Conditions
Self Protection Supply Voltage (SCP Capability)	V _{P(PROT)}	400	V	V _{CC} =13.5 to 16.5V, Inverter part T _J =125°C, non-repetitive, less than 2μs
Module Case Temperature	T _C	-25 to +100	°C	Measurement point of T _C is provided in Figure 2
Storage Temperature	T _{stg}	-40 to +125	°C	
Isolation Voltage	V _{iso}	1500	V _{rms}	Sinusoidal, 60Hz, AC 1minute, between connected all pins and heat sink plate

Thermal resistance

Item	Symbol	Limit			Unit	Conditions
		Min	Typ	Max		
Junction to Case Thermal Resistance (Note 2)	R _{th(j-c)_IGBT}	-	-	3.0	°C /W	Inverter IGBT(1/6 module)
	R _{th(j-c)_FWD}	-	-	3.9	°C /W	Inverter FWD(1/6 module)

(Note 2) Grease with good conductivity and high reliability should be applied evenly with +100 to +200μm on the contacting surface of IPM and heat sink. Use a torque wrench to fasten up to the specified torque rating. The contacting thermal resistance between IPM case and heat sink is determined by the thickness and the thermal conductivity of the applied grease.

Caution: Operating the IPM over the absolute maximum ratings may damage the IPM. The damage can either be a short circuit between pins or an open circuit between pins and the internal circuitry. Therefore, it is important to consider circuit protection measures, such as adding a fuse, in case the IPM is operated over the absolute maximum ratings.

Recommended Operating Conditions

Item	Symbol	Limit			Unit	Conditions
		Min	Typ	Max		
Supply Voltage	V_P	0	300	400	V	Applied between P-NU,NV,NW
Control Power Supply	V_{CC}	13.5	15.0	16.5	V	Applied between HVCC-GND, LVCC-GND
Floating Control Power Supply	V_{BS}	13.0	15.0	18.5	V	Applied between VBU-U, VBV-V, VBW-W
Control Power Supply Variation	ΔV_{CC} ΔV_{BS}	-1	-	+1	V/ μ s	
Control Input Voltage	V_{IN}	0	-	5.5	V	
Current Sensing Input Voltage	V_{CIN}	0	-	5.5	V	
Blanking Time for Preventing Arm-short	t_{dead}	1.5	-	-	μ s	For each input signal
PWM Input Frequency	f_{PWM}	-	-	20	kHz	$T_c \leq 100^\circ\text{C}$, $T_j \leq 125^\circ\text{C}$
High Side IGBT Minimum Input Pulse Width ^(Note1)	PW_{ONH}	0.8	-	-	μ s	
	PW_{OFFH}	0.8	-	-	μ s	
Low Side IGBT Minimum Input Pulse Width ^(Note1)	PW_{ONL}	2.5	-	-	μ s	
	PW_{OFFL}	0.8	-	-	μ s	
Voltage Variation Between GND- NU, NV, NW	V_N	-5	-	+5	V	Between GND-NU, NV, NW (Including surge voltage)
Junction Temperature	T_j	-25	-	+125	$^\circ\text{C}$	

(Note 1) IPM might not respond if the input signal pulse width is less than PW_{ON} , PW_{OFF} .

Electrical Characteristics (Unless otherwise specified, $T_j=25^\circ\text{C}$, $V_{CC}=V_{BS}=15\text{V}$, $V_P=300\text{V}$)

Inverter Part

Item	Symbol	Limit			Unit	Conditions
		Min	Typ	Max		
Collector-Emitter Saturation Voltage	V_{CESAT}	-	1.70	2.10	V	$I_C=15\text{A}$
		-	0.90	1.20	V	$I_C=1.5\text{A}$
Collector-Emitter Cut-off Current	I_{CES}	-	-	100	μA	$V_{CE}=V_{CES}$
FWD Forward Voltage	V_F	-	1.50	2.00	V	$I_F=15\text{A}$
FWD Reverse Recovery Time	t_{rr}	-	100	-	ns	Inductive Load, $I_C=15\text{A}$
High Side IGBT Turn on Delay Time	t_{onH}	0.50	0.90	1.40	μ s	Inductive Load, $I_C=15\text{A}$
High Side IGBT Turn on Switching Time	$t_{c(on)H}$	-	0.20	-	μ s	Inductive Load, $I_C=15\text{A}$
High Side IGBT Turn off Delay Time	t_{offH}	-	1.00	1.70	μ s	Inductive Load, $I_C=15\text{A}$
High Side IGBT Turn off Switching Time	$t_{c(off)H}$	-	0.20	-	μ s	Inductive Load, $I_C=15\text{A}$
Low Side IGBT Turn on Delay Time	t_{onL}	0.80	1.70	2.50	μ s	Inductive Load, $I_C=15\text{A}$
Low Side IGBT Turn on Switching Time	$t_{c(on)L}$	-	0.25	-	μ s	Inductive Load, $I_C=15\text{A}$
Low Side IGBT Turn off Delay Time	t_{offL}	-	0.65	1.15	μ s	Inductive Load, $I_C=15\text{A}$
Low Side IGBT Turn off Switching Time	$t_{c(off)L}$	-	0.20	-	μ s	Inductive Load, $I_C=15\text{A}$

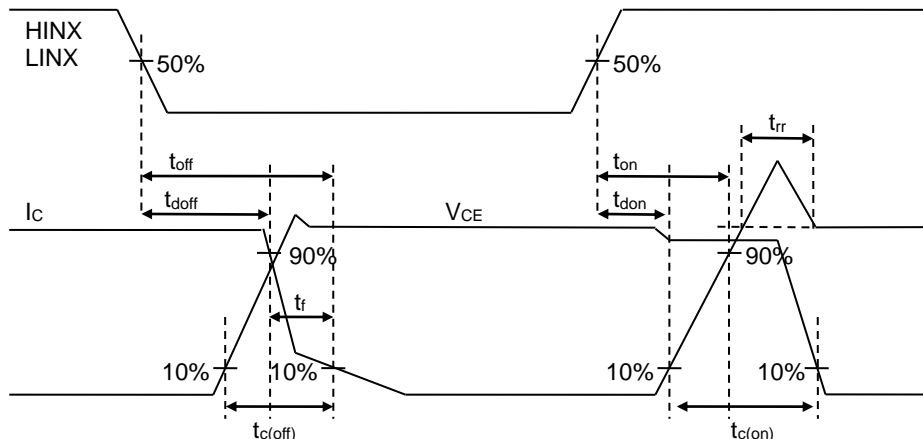


Figure 4. Switching Time Definition

Control part

Item	Symbol	Limit			Unit	Conditions
		Min	Typ	Max		
Whole						
VCC Circuit Current 1	I _{CC1}	-	0.70	1.60	mA	V _{IN} =0V
VCC Circuit Current 2	I _{CC2}	-	0.90	2.00	mA	V _{IN} =5V
VBS Circuit Current 1	I _{BS1}	-	0.15	0.35	mA	V _{IN} =0V
VBS Circuit Current 2	I _{BS2}	-	0.15	0.35	mA	V _{IN} =5V
Control Input(HINU,HINV,HINW,LINU,LINV,LINW)						
H Level Input Current	I _{INH}	0.7	1.0	1.5	mA	V _{IN} =5V
L Level Input Current	I _{INL}	-10	-	-	μA	V _{IN} =0V
H Level Input Threshold Voltage	V _{INH}	-	-	2.6	V	
L Level Input Threshold Voltage	V _{INL}	0.8	-	-	V	
Input Hysteresis Voltage	V _{HYS}	-	0.25	-	V	
Short Circuit Current Protection						
CIN Input Bias Current	I _{CIN}	-2	-	-	μA	CIN=0V
Trip Voltage	V _{SC}	0.43	0.48	0.53	V	
Under Voltage Locked Out						
VCC Trip Voltage	V _{CCUVT}	10.5	11.5	12.5	V	
VCC Release Voltage	V _{CCUVR}	11	12	13	V	
VBS Trip Voltage	V _{BSUVT}	10	11	12	V	
VBS Release Voltage	V _{BSUVR}	10.5	11.5	12.5	V	
Thermal Shutdown						
Trip Temperature	T _{SdT}	100	130	-	°C	Monitor LVIC temperature
Hysteresis Temperature	T _{SDHYS}	-	20	-	°C	Monitor LVIC temperature
Fault Output(FO)						
Output low Voltage	V _{FO}	-	-	0.95	V	I _{FO} =1mA
Leak Current	I _{FOLEAK}	-	-	10	μA	V _{FO} =5V
Output Pulse Width	t _{FO}	20	-	-	μs	

Bootstrap Diode Part

Item	Symbol	Limit			Unit	Conditions
		Min	Typ	Max		
Forward Voltage	V _{FB1}	0.3	0.6	0.9	V	I _{FB} =1mA Voltage drop between HVCC-VBX (X=U,V,W)
	V _{FB2}	1.1	2.0	2.9	V	I _{FB} =100mA Voltage drop between HVCC-VBX (X=U,V,W)
Reverse Current	I _{RB}	-	-	10	μA	V _{RB} =600V
Reverse Recovery Time	t _{rrB}	-	80	-	ns	I _{FB} =0.1A

Mechanical Characteristics And Ratings

Item	Limit			Unit	Following Standard	Conditions
	Min	Typ	Max			
Mounting Torque	0.59	0.69	0.78	N·m	-	Mounting Screw M3 ^(Note 1) Recommended 0.69N·m ^(Note 2)
Pin Pulling Strength	10	-	-	s	EIAJ-ED-4701/400	Load Control Pin:4.9N Power Pin:9.8N
Pin Bending Strength	2	-	-	times	EIAJ-ED-4701/400	Load Control Pin: 2.45N Power Pin:4.9N 90deg. Bend
Weight	-	10	-	g	-	
Heat Sink Flatness	0	-	+200	μm	-	Measurement point is provided in Figure 6-1.

(Note 1) Plain washers of 8mm outside diameter (ISO 7089 to 7094) are recommended.

(Note 2) When installing a module to a heat sink, excessive uneven fastening force might apply stress to inside chips or ceramic of heat sink plate, which will break or crack or degrade a module. An example of recommended fastening sequence is shown in Figure 5. The temporary fastening torque is set to 20 to 30% of the maximum torque rating. Evenly apply thermally-conductive grease with 100μm to 200μm thickness over the contact surface between the module and the heat sink. Also, pay attention not to have any dirt left on the contact surface between the module and the heat sink.

It is recommended to install a module directly to a heat sink after applying grease. When installing a module to a heat sink, inserting a heat radiation sheet between a module and a heat sink might apply stress depending on thickness and elastic modulus of the sheet to inside chips or ceramic of heat sink plate, which will break or crack or degrade a module. When using a heat radiation sheet, it is needed to prevent IPM from bending into + side of Figure 6-2.

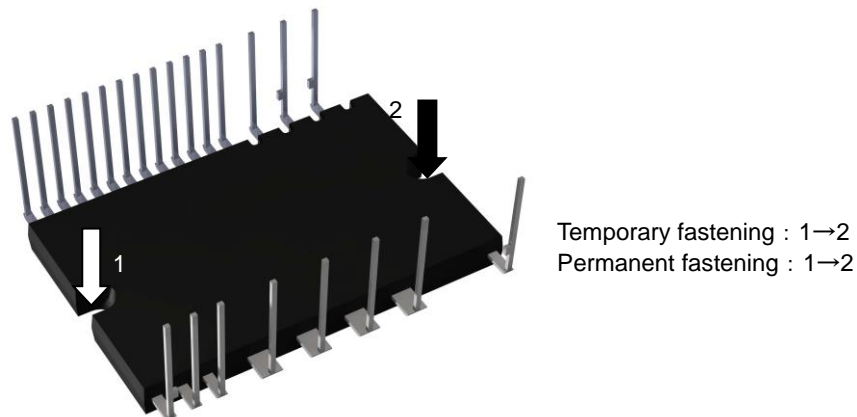


Figure 5. Example of Recommended Fastening Sequence

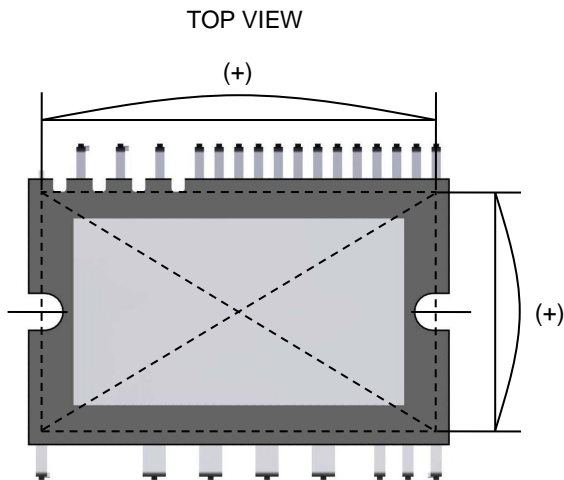


Figure 6-1. Measurement Point of Heat Sink Flatness

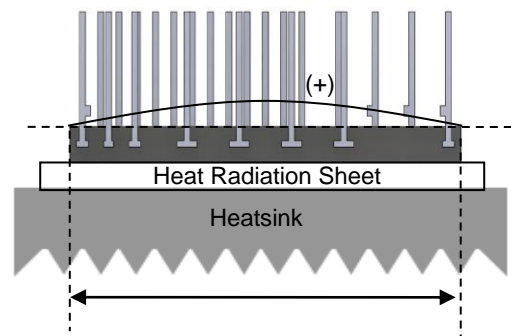


Figure 6-2. Flatness after Installing to a Heat Sink (When Using a Heat Radiation Sheet)

Typical Performance Curve

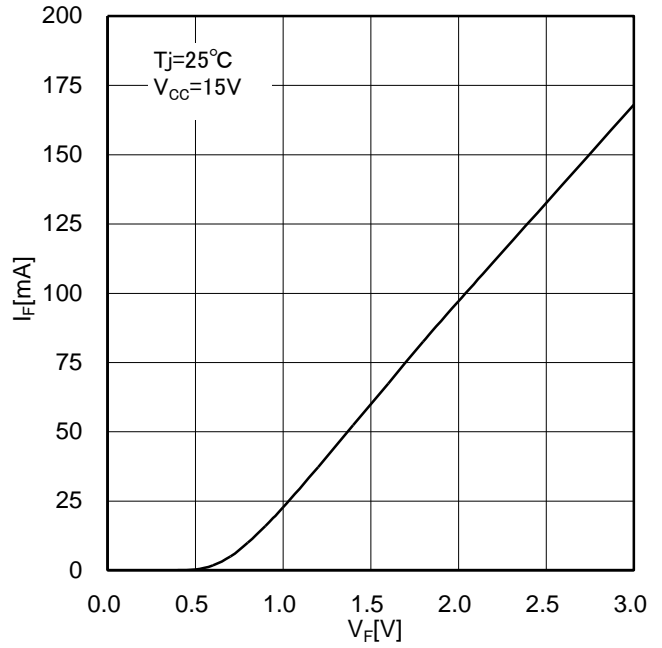
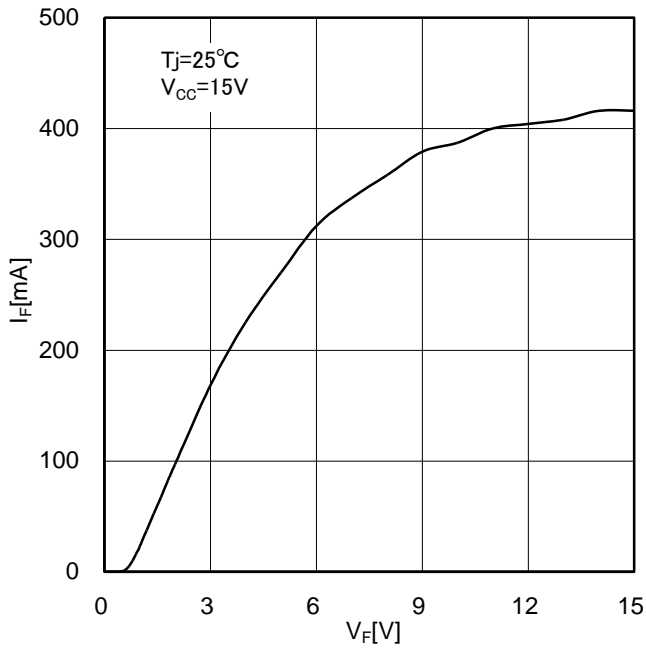


Figure 7. I_F vs V_F
 (Characteristic of Bootstrap Diode I_F-V_F Curve
 Between HVCC-VBX pin (X=U,V,W))

Figure 8. Magnification of Figure 7

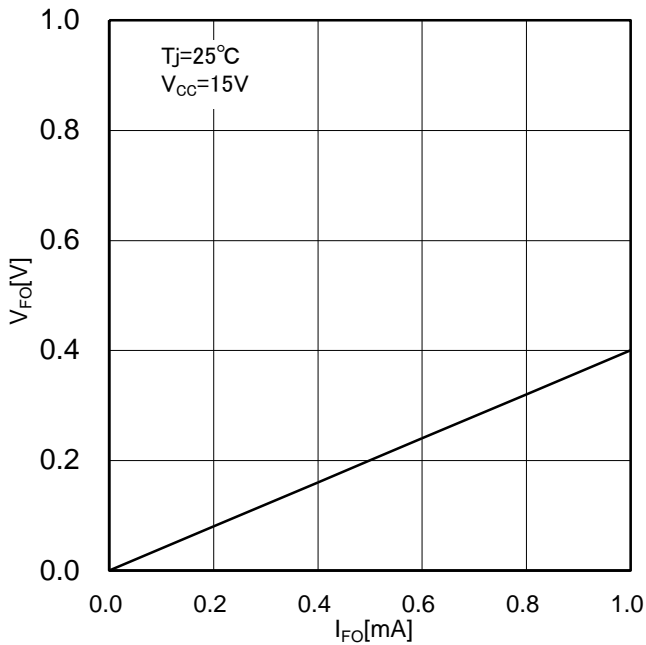


Figure 9. V_{FO} vs I_{FO}
 (Characteristic of FO pin V_{FO}-I_{FO} Curve)

Timing Chart

- 1) Short Circuit Current Protection (protection with the external shunt resistor and RC filter)
 - a1. Normal operation: IGBT ON and outputs current I_c .
 - a2. Short circuit current detection (SCP trigger)
 - It is recommended to set RC time constant of 1.0 to 2.0 μ s so that IGBT shuts down within 2.0 μ s when SCP is triggered.
 - a3. All low side IGBT's gates are shut down (soft turn off).
 - a4. All low side IGBTs turn off.
 - a5. FO outputs for $t_{FO}=20\mu$ s (Min).
 - a6. LIN=L
 - a7. LIN=H, but all IGBTs keep OFF during SCP=H.
 - a8. FO finishes output , but IGBTs don't turn on until inputting the next ON signal(LIN=L→H)
 - IGBT of each phase can return to normal state by inputting ON signal to each phase.
 - a9. Normal operation: IGBT ON and outputs current I_c .

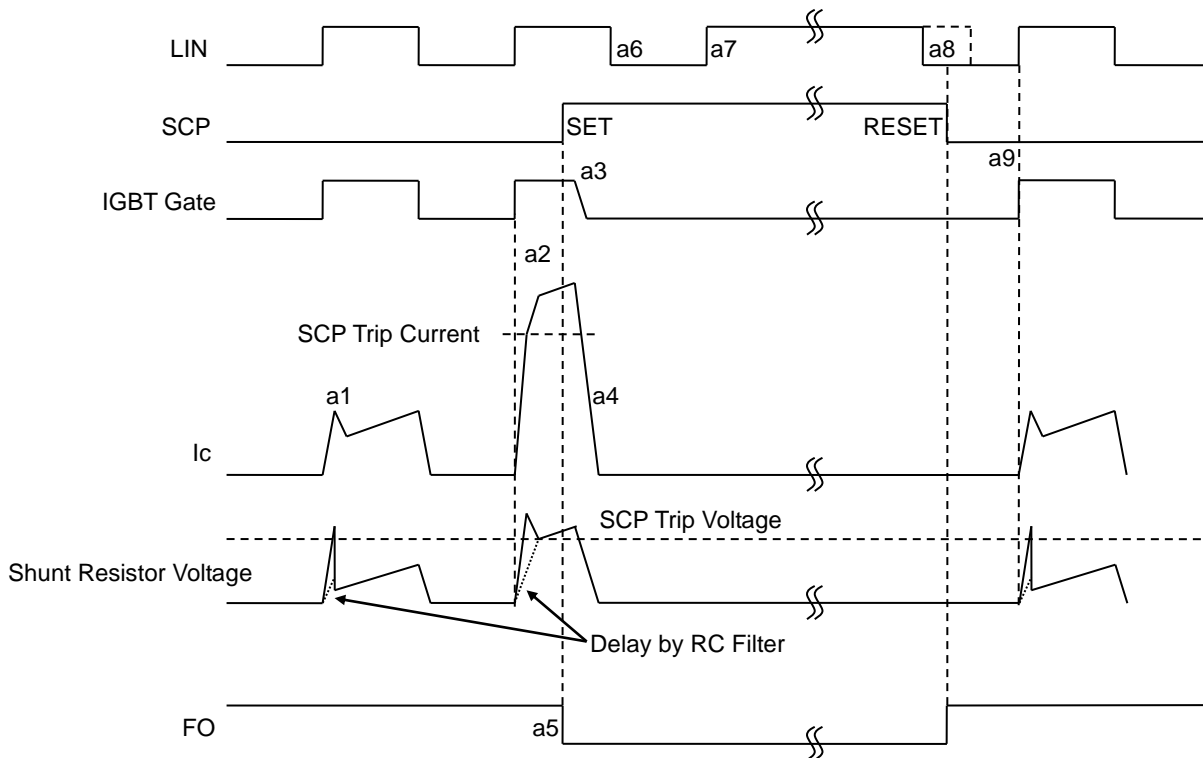


Figure 10. SCP Timing Chart

Notice

SCP works only for low side IGBT only.
 In case of SCP trip and FO output, please stop controlling IPM quickly to avoid the abnormal state.

2) Control Supply (LVCC) Under Voltage Locked Out (UVLO)

- b1. Control supply(LVCC) voltage exceeds UVLO release level (V_{CCUVR}), but IGBT turns on by the next ON signal (LIN=L→H). IGBT of each phase can return to normal state by inputting ON signal to each phase.
- b2. Normal operation: IGBT ON and outputs current I_c .
- b3. LVCC drops to UVLO trip level (V_{CCUVT}).
- b4. All low side IGBTs turn off in spite of control input condition.
- b5. FO outputs for t_{FO} =minimum 20 μ s, but output is extended while LVCC is below V_{CCUVR} .
- b6. LVCC reaches V_{CCUVR} .
- b7. Even if LVCC reaches V_{CCUVR} during LIN=H, IGBTs don't turn on until inputting the next ON signal (LIN=L→H).
- b8. Normal operation: IGBT ON and outputs current I_c .

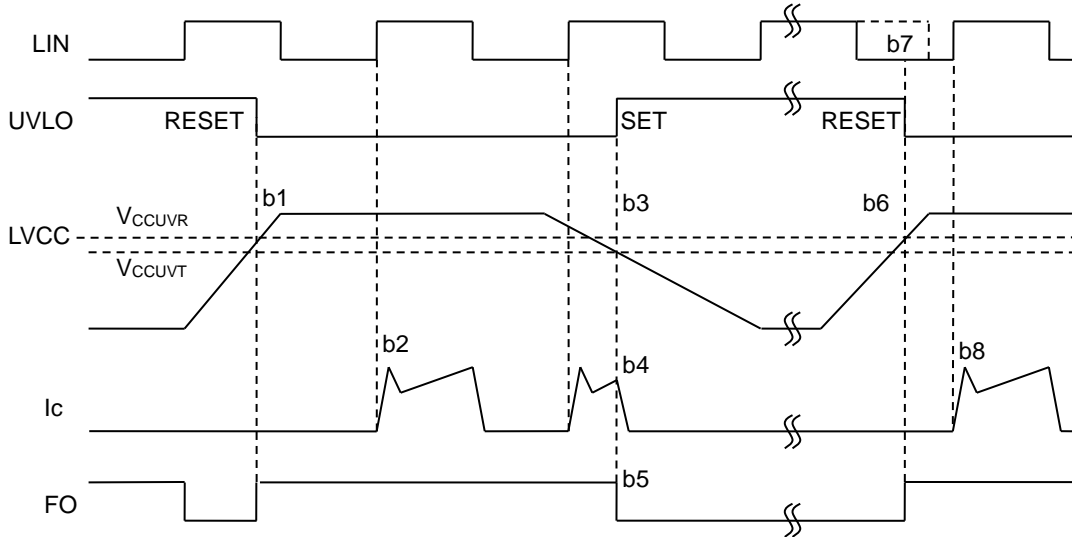


Figure 11. LVCC UVLO Timing Chart

3) Control supply (VBS) Under Voltage Locked Out (UVLO)

- c1. Control supply(VBS) voltage exceeds UVLO release level (V_{BSUVR}), but IGBT turns on by the next ON signal (HIN=L→H).
- c2. Normal operation: IGBT ON and outputs current I_c .
- c3. VBS drops to UVLO trip level (V_{BSUVT}).
- c4. Only IGBT of the corresponding phase turns off in spite of control input signal, there is no FO signal output.
- c5. VBS reaches V_{BSUVR} .
- c6. Even if VBS reaches V_{BSUVR} during HIN=H, IGBTs don't turn on until inputting the next ON signal (HIN=L→H).
- c7. Normal operation: IGBT ON and outputs current I_c .

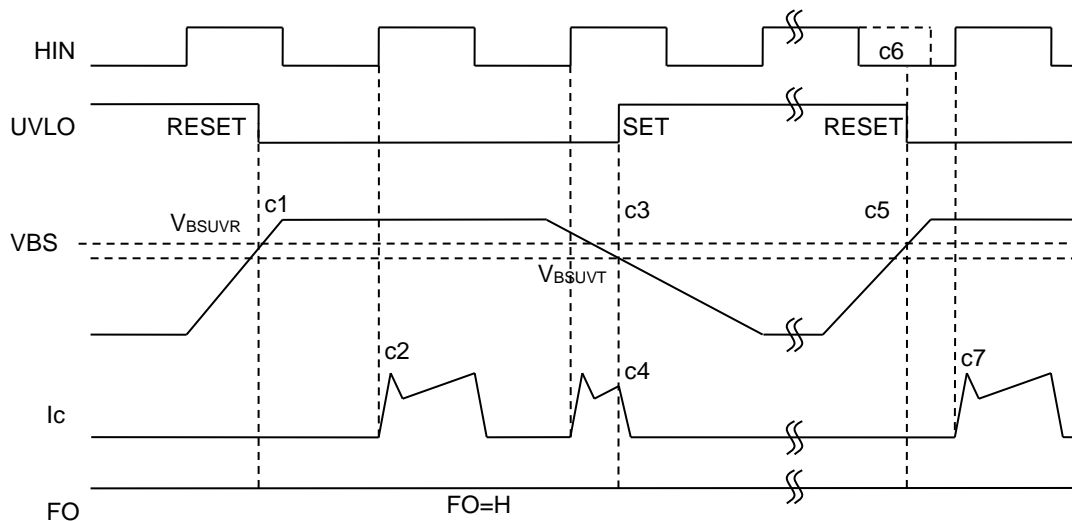


Figure 12. VBS UVLO Timing Chart

- 4) Thermal Shutdown (TSD), monitoring LVIC temperature
 - d1. Normal operation: IGBT ON and outputs current I_c .
 - d2. LVIC temperature (T_j) exceeds thermal shutdown trip level (T_{SDT}).
 - d3. All low side IGBTs turn off in spite of control input condition.
 - d4. FO outputs for $t_{FO}=20\mu s$ (Min), but output is extended while T_j is above thermal shutdown release level ($T_{SDT}-T_{SDHYS}$).
 - d5. T_j drops to $T_{SDT}-T_{SDHYS}$
 - d6. Even if T_j reaches $T_{SDT}-T_{SDHYS}$ during LIN=H, IGBTs don't turn on until inputting the next ON signal (LIN=L→H).
 - IGBT of each phase can return to normal state by inputting ON signal to each phase.
 - d7. Normal operation: IGBT ON and outputs current I_c .

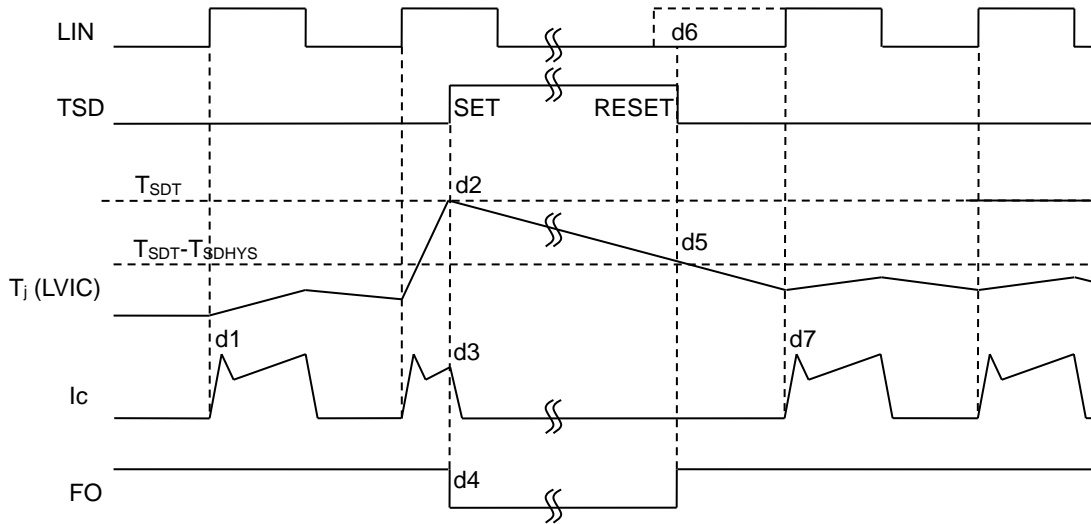


Figure 13. TSD Timing Chart

Notice

- 1) In case of TSD trip and FO output, please stop controlling IPM quickly to avoid the abnormal state.
- 2) If the cooling system is in abnormal state (e.g. heat sink comes off, fixed loosely, or cooling fan stops) when TSD trips, don't reuse IPM. This may cause the junction temperature of power chips to exceed its maximum rating of T_{jmax} (150°C).
- 3) TSD function detects LVIC temperature, so it cannot respond to rapid temperature rise of power chip. Therefore, TSD will not work properly in the case of rapid temperature rise like motor lock or over current.

Application Example(one shunt resistor drive)

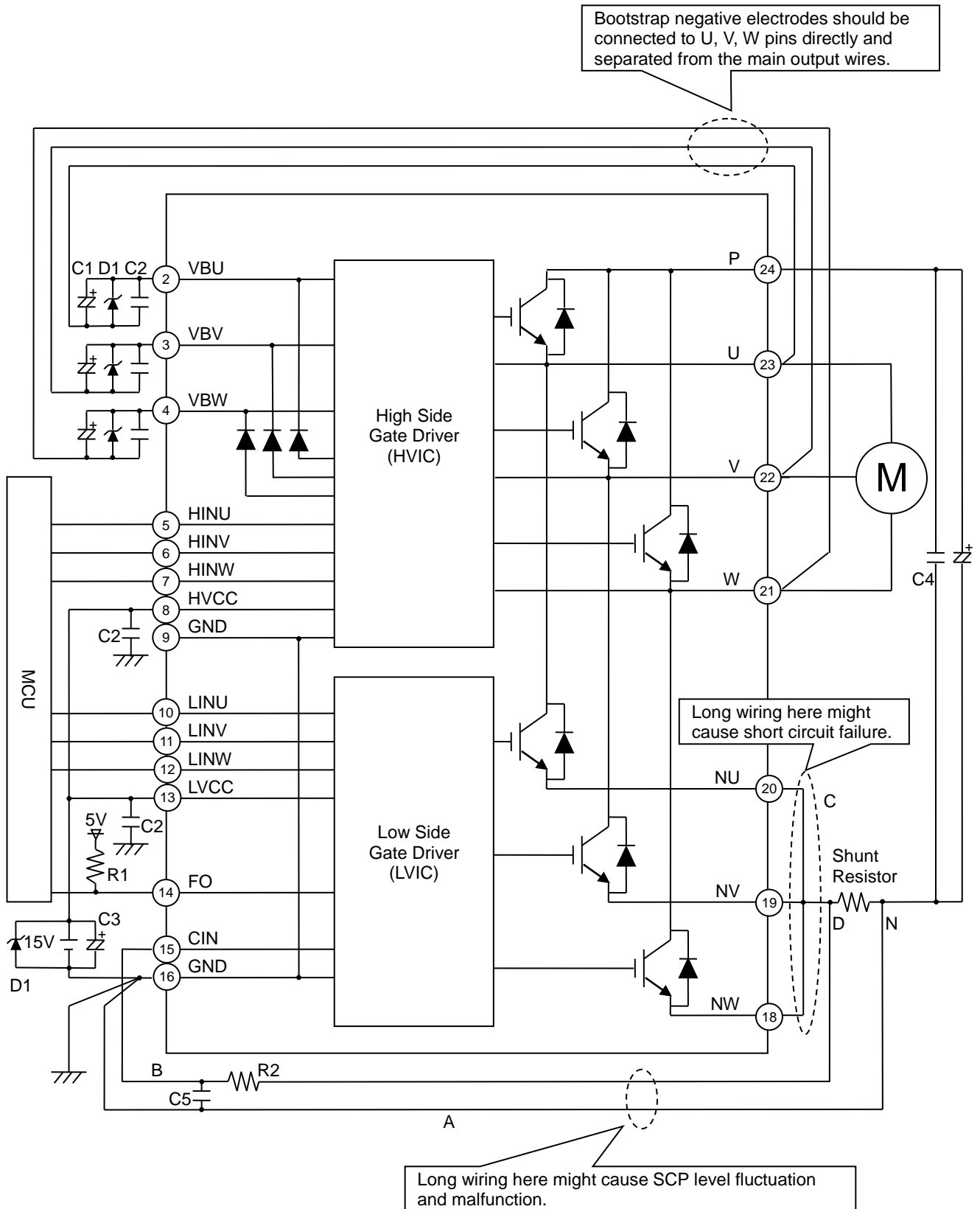


Figure 14. Example of Application Circuit

Selection of Components Externally Connected (Refer to Figure 14)

1) VBU, VBV, VBW pin

- The bypass capacitor(good temperature, frequency characteristic electrolytic type C1: 22 μ F to 100 μ F) should be mounted as close as possible to the pin in order to prevent malfunction or destruction due to switching noise and power supply ripple. In addition, for the purpose of reducing of the power supply's impedance in wide frequency bandwidth, ceramic capacitor (good temperature, frequency and DC bias characteristic ceramic type C2: 0.1 μ F to 0.22 μ F) should also be mounted.
- Zenner diode D1(1W) should be mounted between each pair of control supply pins to prevent surge destruction.
- Line ripple voltage should meet $dV/dt \leq 1V/\mu s$, $V_{ripple} \leq 2V_{p-p}$.
- The wiring from U, V, W pin should be as thick and as short as possible. They should be connected directly and separated from the main output wires.

2) HVCC, LVCC pin

- The bypass capacitor(good temperature, frequency characteristic electrolytic type C3) should be mounted as close as possible to the pin in order to prevent malfunction or destruction due to switching noise and power supply ripple. In addition, for the purpose of reducing of the power supply's impedance in wide frequency bandwidth, ceramic capacitor (good temperature, frequency and DC bias characteristic ceramic type C2: 0.1 μ F to 0.22 μ F) should also be mounted.
- Zenner diode D1(1W) should be mounted between each pair of control supply pins to prevent surge destruction.
- Line ripple voltage should meet $dV/dt \leq 1V/\mu s$, $V_{ripple} \leq 2V_{p-p}$.

3) P pin

- To prevent surge destruction, the wiring between the smoothing capacitor and P, N pins should be as short as possible.
- Snubber capacitor(C4: 0.1 μ F to 0.22 μ F) should be mounted between the P-N pin.

4) Control Input pin (HINU, HINV, HINW, LINU, LINV, LINW)

- The wiring should be as short as possible to prevent malfunction.
- Input drive is active-high type. There is a 3.3k Ω (Min) pull-down resistor in the input circuit of IPM. When using RC coupling circuit, make sure the input signal level meet the input threshold voltage.
- Dead time of input signal should be more than specified value.

5) FO pin

- FO output is open drain type. It should be pulled up to control power supply(e.g. 5V, 15V) by a resistor that makes I_{FO} up to 1mA. I_{FO} is estimated roughly by the formula of control power supply voltage divided by pull-up resistance(R1). In the case of pulled up to 5V, R1=10k Ω is recommended.

6) CIN pin

- RC filter(R2, C5) should be mounted as close as possible to the pin in order to prevent malfunction by recovery current or switching noise. It is recommended to select tight tolerance, temp-compensated type for RC filter (R2, C5). The time constant R2C5 (1.0 μ s to 2.0 μ s is recommended) should be set so that SCP current is shut down within 2 μ s. Please confirm operation on the actual application since SCP shutdown time changes depending on the PCB wiring pattern.
- The point D at which the wiring to CIN filter is divided should be near the pin of shunt resistor. NU, NV, NW pin should be connected at near NU, NV, NW pin.
- To prevent malfunction, the wiring of B should be as short as possible.

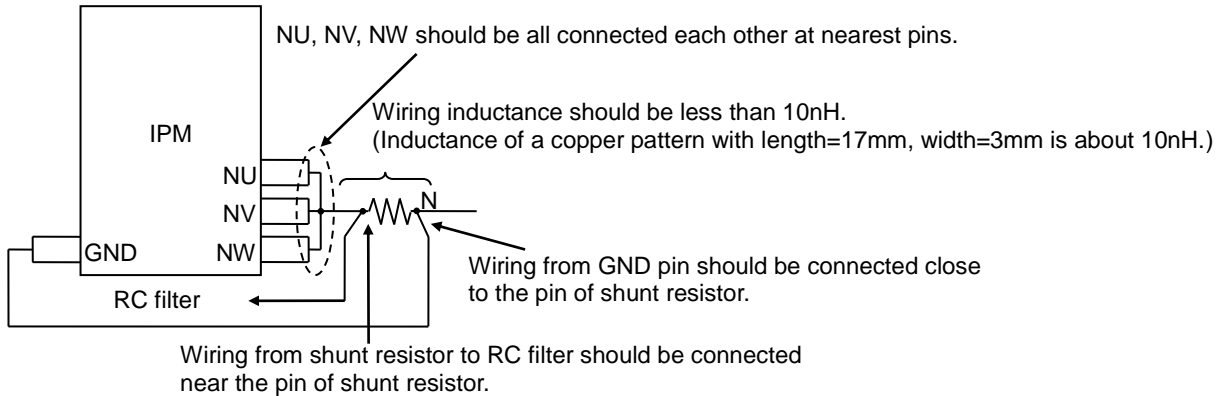
7) GND pin

- Two GND pins (9 & 16 pin) are connected inside IPM. Please connect one pin (16 pin is recommended.) to the 15V power supply GND outside and leave the other open.
- If control GND is connected with power GND by common broad pattern, it may cause malfunction by power GND fluctuation. It is recommended to connect control GND and power GND at only a point N (near the pin of shunt resistor).
- To prevent malfunction, the wiring of A should be as short as possible.

8) NU, NV, NW pin

- When operating with one-shunt resistor, please short the three pins(NU, NV, NW). In addition, to prevent malfunction, the wiring of C should be as short as possible.

9) One-shunt Resistor Drive



Low inductance shunt resistor like surface mounted (SMD) type is recommended.

Figure 15. Wiring Pattern around the Shunt Resistor when Operating with One-shunt Resistor

10) Three-shunt Resistors Drive

- It is not recommended to input the voltage of each shunt resistor directly to the CIN pin when IPM is operated with three shunt resistor. In that case, it is necessary to use the external protection circuit as below.
- It is necessary to set the time constant $R_f C_f$ ($1.0\mu s$ to $2.0\mu s$ is recommended) of external comparator input so that IGBT stops within $2\mu s$ when short circuit occurs. Please confirm operation on the actual application since SCP shutdown time changes depending on the PCB wiring pattern.
- It is recommended for the threshold voltage V_{REF} to be set to the same rating of short circuit trip level ($V_{SC}=0.48V(Typ)$)
- To prevent malfunction, the wiring of A, B, C should be as short as possible.
- OR output high level when protection works should be $0.53V$ (maximum V_{SC} rating) to $7V$ (CIN absolute maximum rating).

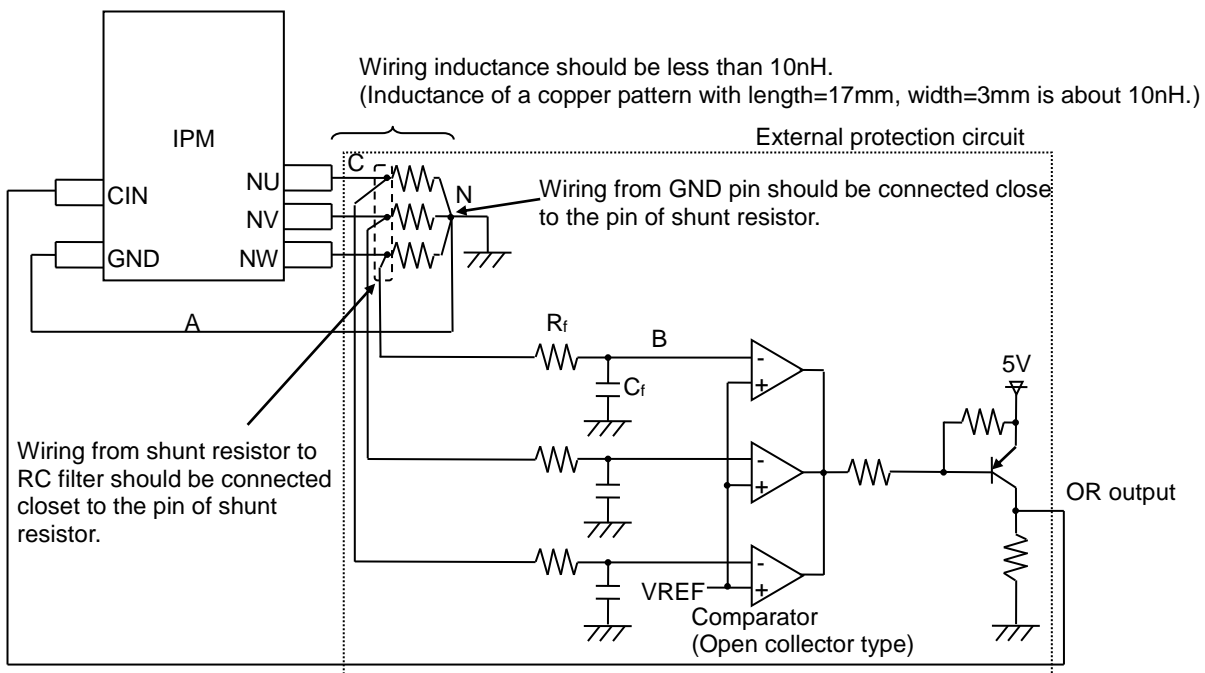


Figure 16. Wiring Pattern around the Shunt Resistor when operating with Three-shunt Resistors

I/O Equivalence Circuit

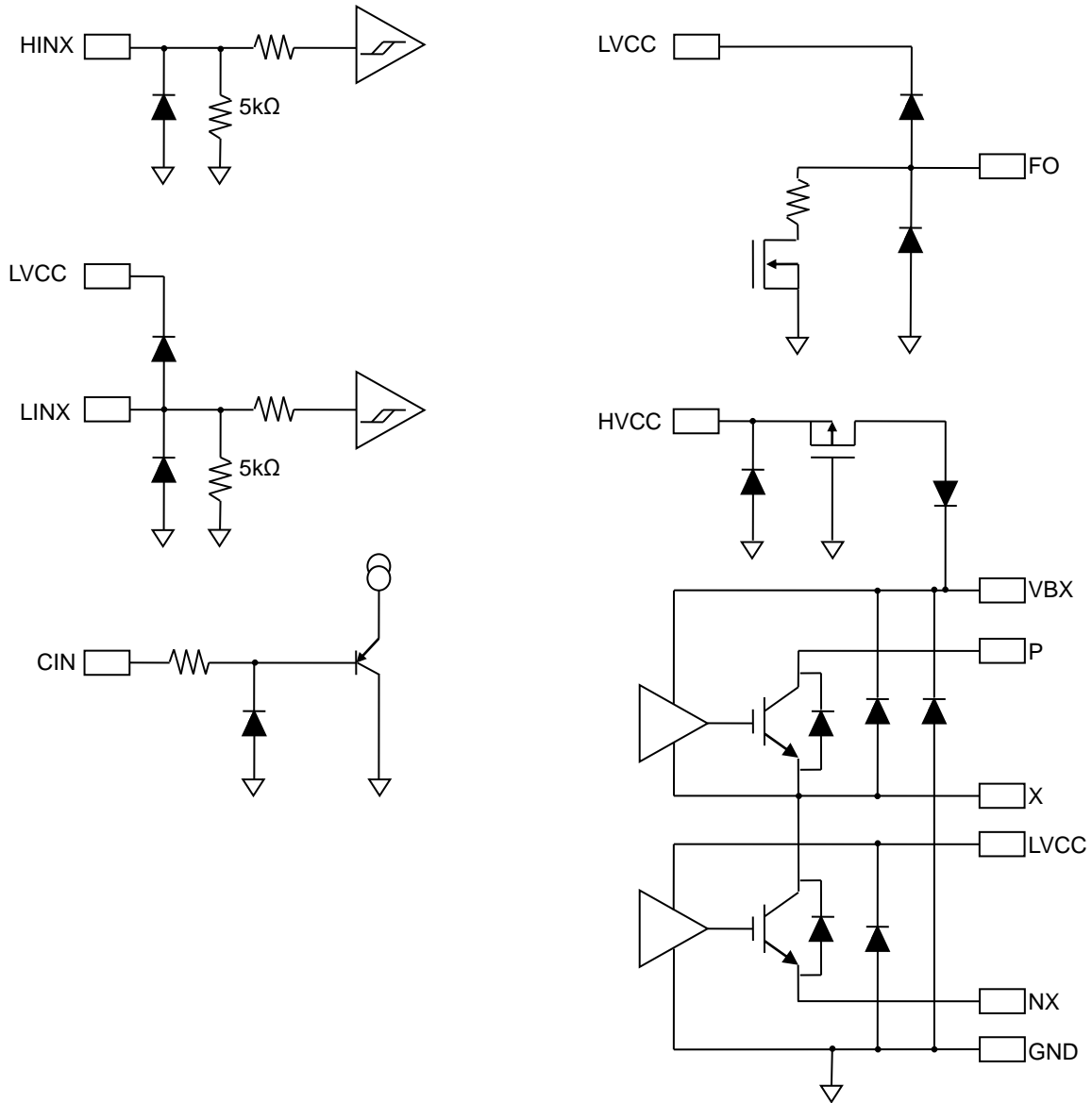


Figure 17. Input / Output Equivalent Circuit (X=U, V, W)

Operational Notes

1. Reverse Connection of Power Supply

Connecting the power supply in reverse polarity can damage the IPM. Take precautions against reverse polarity when connecting the power supply, such as mounting an external diode between the power supply and the IPM's power supply pins.

2. Power Supply Lines

Design the PCB layout pattern to provide low impedance supply lines. Separate the ground and supply lines of the digital and analog blocks to prevent noise in the ground and supply lines of the digital block from affecting the analog block. Furthermore, connect a capacitor to ground at all power supply pins. Consider the effect of temperature and aging on the capacitance value when using electrolytic capacitors.

3. Ground Voltage

Ensure that no pins are at a voltage below that of the ground pin at any time, even during transient condition. However, pins that drive inductive loads (e.g. motor driver outputs, DC-DC converter outputs) may inevitably go below ground due to back EMF or electromotive force. In such cases, the user should make sure that such voltages going below ground will not cause the IPM and the system to malfunction by examining carefully all relevant factors and conditions such as motor characteristics, supply voltage, operating frequency and PCB wiring to name a few.

4. Ground Wiring Pattern

When using both small-signal and large-current ground traces, the two ground traces should be routed separately but connected to a single ground at the reference point of the application board to avoid fluctuations in the small-signal ground caused by large currents. Also ensure that the ground traces of external components do not cause variations on the ground voltage. The ground lines must be as short and thick as possible to reduce line impedance.

5. Thermal Consideration

Should by any chance the maximum junction temperature rating be exceeded the rise in temperature of the chip may result in deterioration of the properties of the chip.

6. Recommended Operating Conditions

These conditions represent a range within which the expected characteristics of the IPM can be approximately obtained. The electrical characteristics are guaranteed under the conditions of each parameter.

7. Inrush Current

When power is first supplied to the IPM, it is possible that the internal logic may be unstable and inrush current may flow instantaneously due to the internal powering sequence and delays, especially if the IPM has more than one power supply. Therefore, give special consideration to power coupling capacitance, power wiring, width of ground wiring, and routing of connections.

8. Operation Under Strong Electromagnetic Field

Operating the IPM in the presence of a strong electromagnetic field may cause the IPM to malfunction.

9. Testing on Application Boards

When testing the IPM on an application board, connecting a capacitor directly to a low-impedance output pin may subject the IPM to stress. Always discharge capacitors completely after each process or step. The IPM's power supply should always be turned off completely before connecting or removing it from the test setup during the inspection process. To prevent damage from static discharge, ground the IPM during assembly and use similar precautions during transport and storage.

10. Inter-pin Short and Mounting Errors

Ensure that the direction and position are correct when mounting the IPM on the PCB. Incorrect mounting may result in damaging the IPM. Avoid nearby pins being shorted to each other especially to ground, power supply and output pin. Inter-pin shorts could be due to many reasons such as metal particles, water droplets (in very humid environment) and unintentional solder bridge deposited in between pins during assembly to name a few.

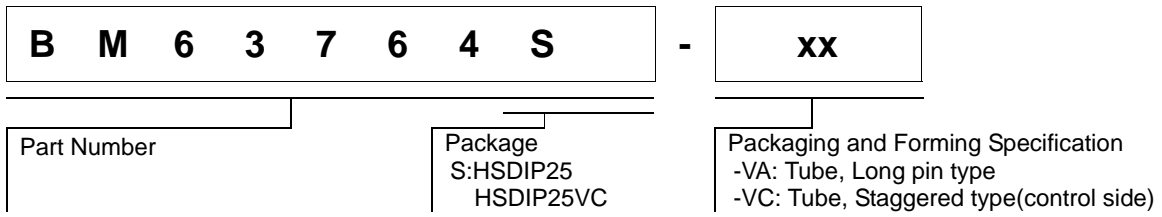
11. Unused Input Pins

Input pins of an IPM are often connected to the gate of a MOS transistor. The gate has extremely high impedance and extremely low capacitance. If left unconnected, the electric field from the outside can easily charge it. The small charge acquired in this way is enough to produce a significant effect on the conduction through the transistor and cause unexpected operation of the IPM. So unless otherwise specified, unused input pins should be connected to the power supply or ground line.

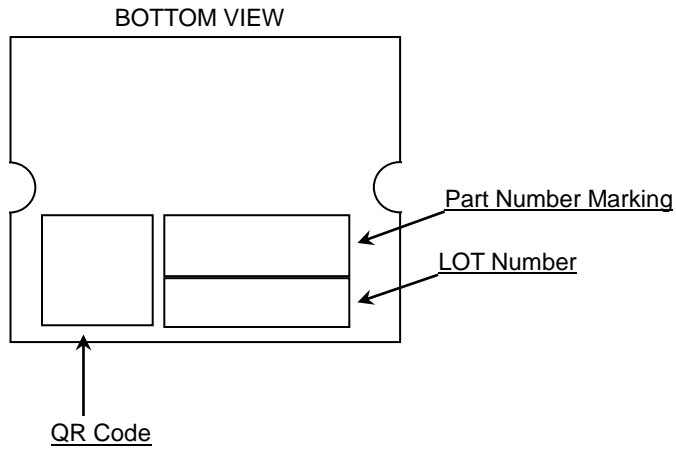
12. Area of Safe Operation (ASO)

Operate the IPM such that the output voltage, output current, and power dissipation are all within the Area of Safe Operation (ASO).

Ordering Information



Marking Diagram



Physical Dimension, Tape and Reel Information

Package Name	HSDIP25
---------------------	----------------



(UNIT : mm)

PKG : HSDIP25
Drawing No. EX641-5002

<Tape and Reel information>

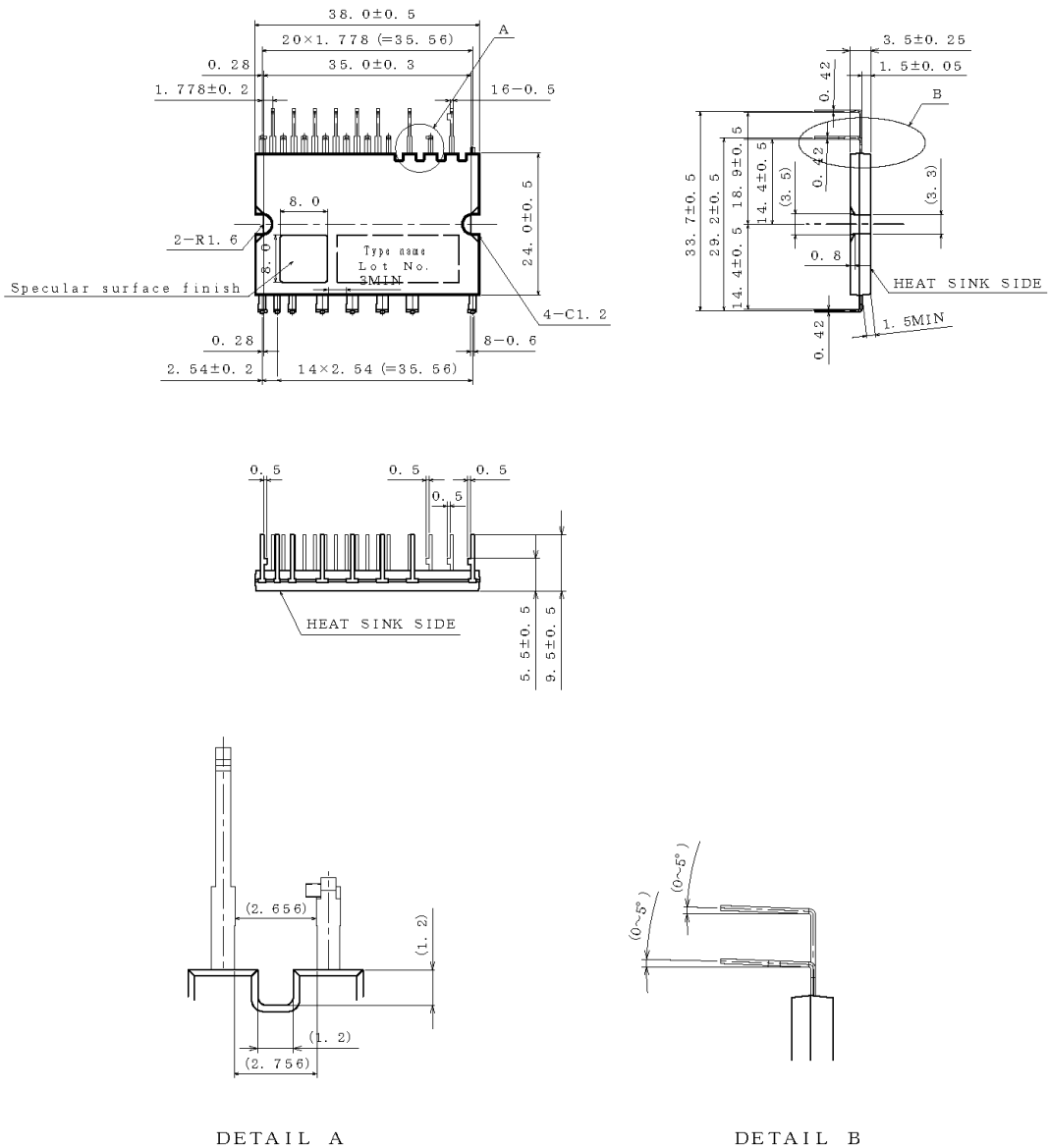
Container	Tube
Quantity	60pcs
Direction of feed	Direction of products is fixed in a container tube

The diagram shows a 3D perspective view of a reel of HSDIP25 packages on the left, with an arrow pointing to a 3D perspective view of a tube containing the packages on the right. The packages are shown as small rectangular components with pins.

***When you order, please order in times the amount of package quantity.**

Physical Dimension, Tape and Reel Information – continued

Package Name	HSDIP25VC
---------------------	------------------



(UNIT : mm)

PKG : HSDIP25VC
Drawing No. 641-5003

<Tape and Reel information>

Container	Tube
Quantity	60pcs
Direction of feed	Direction of products is fixed in a container tube

*When you order, please order in times the amount of package quantity.

Revision History

Date	Revision	Changes
05.Aug.2014	001	New Release
11.Nov.2014	002	BM63764S-VC added
07.Apr.2016	003	Page 7: (Note 2) Expression changed Page 7: (Note 2) Notice for Using a Rubber Sheet added Page 16: Operational Notes changed
24.Jun.2016	004	Page 1: "UL Recognized" added Page 3: Description of Block changed Page 16: Operational Notes changed Page 17: Marking Diagram changed
20.Jun.2017	005	Page 7: (Note 1), (Note 2) changed, Figure6-2 added
30.Oct.2017	006	Page 17: Description modified

Notice

Precaution on using ROHM Products

- Our Products are designed and manufactured for application in ordinary electronic equipments (such as AV equipment, OA equipment, telecommunication equipment, home electronic appliances, amusement equipment, etc.). If you intend to use our Products in devices requiring extremely high reliability (such as medical equipment ^(Note 1), transport equipment, traffic equipment, aircraft/spacecraft, nuclear power controllers, fuel controllers, car equipment including car accessories, safety devices, etc.) and whose malfunction or failure may cause loss of human life, bodily injury or serious damage to property ("Specific Applications"), please consult with the ROHM sales representative in advance. Unless otherwise agreed in writing by ROHM in advance, ROHM shall not be in any way responsible or liable for any damages, expenses or losses incurred by you or third parties arising from the use of any ROHM's Products for Specific Applications.

(Note1) Medical Equipment Classification of the Specific Applications

JAPAN	USA	EU	CHINA
CLASS III	CLASS III	CLASS II b	CLASS III
CLASS IV		CLASS III	

- ROHM designs and manufactures its Products subject to strict quality control system. However, semiconductor products can fail or malfunction at a certain rate. Please be sure to implement, at your own responsibilities, adequate safety measures including but not limited to fail-safe design against the physical injury, damage to any property, which a failure or malfunction of our Products may cause. The following are examples of safety measures:
 - Installation of protection circuits or other protective devices to improve system safety
 - Installation of redundant circuits to reduce the impact of single or multiple circuit failure
- Our Products are designed and manufactured for use under standard conditions and not under any special or extraordinary environments or conditions, as exemplified below. Accordingly, ROHM shall not be in any way responsible or liable for any damages, expenses or losses arising from the use of any ROHM's Products under any special or extraordinary environments or conditions. If you intend to use our Products under any special or extraordinary environments or conditions (as exemplified below), your independent verification and confirmation of product performance, reliability, etc. prior to use, must be necessary:
 - Use of our Products in any types of liquid, including water, oils, chemicals, and organic solvents
 - Use of our Products outdoors or in places where the Products are exposed to direct sunlight or dust
 - Use of our Products in places where the Products are exposed to sea wind or corrosive gases, including Cl₂, H₂S, NH₃, SO₂, and NO₂
 - Use of our Products in places where the Products are exposed to static electricity or electromagnetic waves
 - Use of our Products in proximity to heat-producing components, plastic cords, or other flammable items
 - Sealing or coating our Products with resin or other coating materials
 - Use of our Products without cleaning residue of flux (even if you use no-clean type fluxes, cleaning residue of flux is recommended); or Washing our Products by using water or water-soluble cleaning agents for cleaning residue after soldering
 - Use of the Products in places subject to dew condensation
- The Products are not subject to radiation-proof design.
- Please verify and confirm characteristics of the final or mounted products in using the Products.
- In particular, if a transient load (a large amount of load applied in a short period of time, such as pulse. is applied, confirmation of performance characteristics after on-board mounting is strongly recommended. Avoid applying power exceeding normal rated power; exceeding the power rating under steady-state loading condition may negatively affect product performance and reliability.
- De-rate Power Dissipation depending on ambient temperature. When used in sealed area, confirm that it is the use in the range that does not exceed the maximum junction temperature.
- Confirm that operation temperature is within the specified range described in the product specification.
- ROHM shall not be in any way responsible or liable for failure induced under deviant condition from what is defined in this document.

Precaution for Mounting / Circuit board design

- When a highly active halogenous (chlorine, bromine, etc.) flux is used, the residue of flux may negatively affect product performance and reliability.
- In principle, the reflow soldering method must be used on a surface-mount products, the flow soldering method must be used on a through hole mount products. If the flow soldering method is preferred on a surface-mount products, please consult with the ROHM representative in advance.

For details, please refer to ROHM Mounting specification

Precautions Regarding Application Examples and External Circuits

1. If change is made to the constant of an external circuit, please allow a sufficient margin considering variations of the characteristics of the Products and external components, including transient characteristics, as well as static characteristics.
2. You agree that application notes, reference designs, and associated data and information contained in this document are presented only as guidance for Products use. Therefore, in case you use such information, you are solely responsible for it and you must exercise your own independent verification and judgment in the use of such information contained in this document. ROHM shall not be in any way responsible or liable for any damages, expenses or losses incurred by you or third parties arising from the use of such information.

Precaution for Electrostatic

This Product is electrostatic sensitive product, which may be damaged due to electrostatic discharge. Please take proper caution in your manufacturing process and storage so that voltage exceeding the Products maximum rating will not be applied to Products. Please take special care under dry condition (e.g. Grounding of human body / equipment / solder iron, isolation from charged objects, setting of Ionizer, friction prevention and temperature / humidity control).

Precaution for Storage / Transportation

1. Product performance and soldered connections may deteriorate if the Products are stored in the places where:
 - [a] the Products are exposed to sea winds or corrosive gases, including Cl₂, H₂S, NH₃, SO₂, and NO₂
 - [b] the temperature or humidity exceeds those recommended by ROHM
 - [c] the Products are exposed to direct sunshine or condensation
 - [d] the Products are exposed to high Electrostatic
2. Even under ROHM recommended storage condition, solderability of products out of recommended storage time period may be degraded. It is strongly recommended to confirm solderability before using Products of which storage time is exceeding the recommended storage time period.
3. Store / transport cartons in the correct direction, which is indicated on a carton with a symbol. Otherwise bent leads may occur due to excessive stress applied when dropping of a carton.
4. Use Products within the specified time after opening a humidity barrier bag. Baking is required before using Products of which storage time is exceeding the recommended storage time period.

Precaution for Product Label

A two-dimensional barcode printed on ROHM Products label is for ROHM's internal use only.

Precaution for Disposition

When disposing Products please dispose them properly using an authorized industry waste company.

Precaution for Foreign Exchange and Foreign Trade act

Since concerned goods might be fallen under listed items of export control prescribed by Foreign exchange and Foreign trade act, please consult with ROHM in case of export.

Precaution Regarding Intellectual Property Rights

1. All information and data including but not limited to application example contained in this document is for reference only. ROHM does not warrant that foregoing information or data will not infringe any intellectual property rights or any other rights of any third party regarding such information or data.
2. ROHM shall not have any obligations where the claims, actions or demands arising from the combination of the Products with other articles such as components, circuits, systems or external equipment (including software).
3. No license, expressly or implied, is granted hereby under any intellectual property rights or other rights of ROHM or any third parties with respect to the Products or the information contained in this document. Provided, however, that ROHM will not assert its intellectual property rights or other rights against you or your customers to the extent necessary to manufacture or sell products containing the Products, subject to the terms and conditions herein.

Other Precaution

1. This document may not be reprinted or reproduced, in whole or in part, without prior written consent of ROHM.
2. The Products may not be disassembled, converted, modified, reproduced or otherwise changed without prior written consent of ROHM.
3. In no event shall you use in any way whatsoever the Products and the related technical information contained in the Products or this document for any military purposes, including but not limited to, the development of mass-destruction weapons.
4. The proper names of companies or products described in this document are trademarks or registered trademarks of ROHM, its affiliated companies or third parties.

General Precaution

1. Before you use our Products, you are requested to carefully read this document and fully understand its contents. ROHM shall not be in any way responsible or liable for failure, malfunction or accident arising from the use of any ROHM's Products against warning, caution or note contained in this document.
2. All information contained in this document is current as of the issuing date and subject to change without any prior notice. Before purchasing or using ROHM's Products, please confirm the latest information with a ROHM sales representative.
3. The information contained in this document is provided on an "as is" basis and ROHM does not warrant that all information contained in this document is accurate and/or error-free. ROHM shall not be in any way responsible or liable for any damages, expenses or losses incurred by you or third parties resulting from inaccuracy or errors of or concerning such information.



BM63764S-VA - Web Page

[Distribution Inventory](#)

Part Number	BM63764S-VA
Package	HSDIP25
Unit Quantity	60
Minimum Package Quantity	60
Packing Type	Tube
Constitution Materials List	inquiry
RoHS	Yes

Mouser Electronics

Authorized Distributor

Click to View Pricing, Inventory, Delivery & Lifecycle Information:

[ROHM Semiconductor:](#)

[BM63764S-VC](#) [BM63764S-VA](#)



Компания «ЭлектроПласт» предлагает заключение долгосрочных отношений при поставках импортных электронных компонентов на взаимовыгодных условиях!

Наши преимущества:

- Оперативные поставки широкого спектра электронных компонентов отечественного и импортного производства напрямую от производителей и с крупнейших мировых складов;
- Поставка более 17-ти миллионов наименований электронных компонентов;
- Поставка сложных, дефицитных, либо снятых с производства позиций;
- Оперативные сроки поставки под заказ (от 5 рабочих дней);
- Экспресс доставка в любую точку России;
- Техническая поддержка проекта, помощь в подборе аналогов, поставка прототипов;
- Система менеджмента качества сертифицирована по Международному стандарту ISO 9001;
- Лицензия ФСБ на осуществление работ с использованием сведений, составляющих государственную тайну;
- Поставка специализированных компонентов (Xilinx, Altera, Analog Devices, Intersil, Interpoint, Microsemi, Aeroflex, Peregrine, Syfer, Eurofarad, Texas Instrument, Miteq, Cobham, E2V, MA-COM, Hittite, Mini-Circuits, General Dynamics и др.);

Помимо этого, одним из направлений компании «ЭлектроПласт» является направление «Источники питания». Мы предлагаем Вам помощь Конструкторского отдела:

- Подбор оптимального решения, техническое обоснование при выборе компонента;
- Подбор аналогов;
- Консультации по применению компонента;
- Поставка образцов и прототипов;
- Техническая поддержка проекта;
- Защита от снятия компонента с производства.



Как с нами связаться

Телефон: 8 (812) 309 58 32 (многоканальный)

Факс: 8 (812) 320-02-42

Электронная почта: org@eplast1.ru

Адрес: 198099, г. Санкт-Петербург, ул. Калинина, дом 2, корпус 4, литера А.