

|      |      |       |                       |              |         |
|------|------|-------|-----------------------|--------------|---------|
| 15.3 | 13.6 | 16.05 | 501594-7011           | 501594-7010  | 70      |
| 12.1 | 10.4 | 12.85 | 501594-5411           | 501594-5410  | 54      |
| 11.3 | 9.6  | 12.05 | 501594-5011           | 501594-5010  | 50      |
| 10.1 | 8.4  | 10.85 | 501594-4411           | 501594-4410  | 44      |
| 9.3  | 7.6  | 10.05 | 501594-4011           | 501594-4010  | 40      |
| 8.1  | 6.4  | 8.85  | 501594-3411           | 501594-3410  | 34      |
| 7.3  | 5.6  | 8.05  | 501594-3011           | 501594-3010  | 30      |
| 6.5  | 4.8  | 7.25  | 501594-2611           | 501594-2610  | 26      |
| 6.1  | 4.4  | 6.85  | 501594-2411           | 501594-2410  | 24      |
| 5.7  | 4.0  | 6.45  | 501594-2211           | 501594-2210  | 22      |
| 5.3  | 3.6  | 6.05  | 501594-2011           | 501594-2010  | 20      |
| 3.7  | 2.0  | 4.45  | 501594-1211           | 501594-1210  | 12      |
| 3.3  | 1.6  | 4.05  | 501594-1011           | 501594-1010  | 10      |
| C    | B    | A     | EMBOSSED TAPE PACKAGE | MATERIAL NO. | CIRCUIT |
|      |      |       | ORDER No.             |              |         |

| REVISED | EC NO. | J2008-3370 | DRW:KSEI | 2008/06/17 | CHKD:MSASAO | 2008/06/17 | APPR:MSASAO | 2008/06/25 | GENERAL TOLERANCES (UNLESS SPECIFIED)                |        | DIMENSION STYLE |   | SCALE  | DESIGN UNITS                                   |           | THIRD ANGLE PROJECTION |
|---------|--------|------------|----------|------------|-------------|------------|-------------|------------|--|--------|-----------------|---|--------|--|-----------|------------------------|
|         |        |            |          |            |             |            |             |            | 10 UNDER   | ± 0.2  | MM ONLY         | ---   | METRIC |  |           |                        |
|         |        |            |          |            |             |            |             |            | 10 OVER  | ± 0.25 | DRAWN BY        | DATE  | TITLE  | 0.4MM PITCH B/B CONN.<br>H=0.9 W=3.4 PLUG ASSY |           |                        |
|         |        |            |          |            |             |            |             |            | 30 UNDER   | ± 0.3  | CHECKED BY      | DATE  |        | MOLEX INCORPORATED                             |           |                        |
|         |        |            |          |            |             |            |             |            | 30 OVER  | ± 0.3  | APPROVED BY     | DATE  |        | SD-501594-005                                  | SHEET NO. |                        |
|         |        |            |          |            |             |            |             |            | ANGULAR  | ± 3 °  | MATERIAL NO.    |   |        | 1 OF 2   |           |                        |
|         |        |            |          |            |             |            |             |            | DRAFT WHERE APPLICABLE MUST REMAIN WITHIN DIMENSIONS |        | SIZE            | THIS DRAWING CONTAINS INFORMATION THAT IS PROPRIETARY TO MOLEX INCORPORATED AND SHOULD NOT BE USED WITHOUT WRITTEN PERMISSION |        |  |           |                        |
|         |        |            |          |            |             |            |             |            |  |        | A3              |   |        |  |           |                        |

注記 NOTES

1.使用材料  
MATERIAL

ハウジング：液晶ポリマー (LCP) ガラス充填 UL-94V-0 (黒)  
HOSING : LIQUID CRYSTAL POLYMER (GLASS FILLED) UL94V-0 (COLOR:BLACK)

ターミナル：りん青銅 (t=0.08)  
TERMINAL : PHOSHOR BRONZE (t=0.08)

金具：りん青銅 (t=0.1)  
FITTING NAIL : PHOSHOR BRONZE (t=0.1)

2.メッキ仕様  
PLATING

ターミナル  
TERMINAL

金メッキ 0.1マイクロメートル以上 (コンタクト部)  
GOLD 0.1 MICROMETER MINIMUM (CONTACT AREA)

金メッキ 0.03マイクロメートル以上 (テール部)  
GOLD 0.03 MICROMETER MINIMUM (TAIL AREA)

下地メッキ：ニッケルメッキ 1.0 マイクロメートル以上  
UNDER PLATING : NICKEL 1.0 MICROMETER MINIMUM

金具  
FITTING NAIL

錫メッキ :1.0マイクロメートル以上  
TIN PLATING :1.0 MICROMETER MINIMUM

下地メッキ :ニッケル1.0マイクロメートル以上  
UNDER PLATING :NICKEL 1.0 MICROMETER MINIMUM

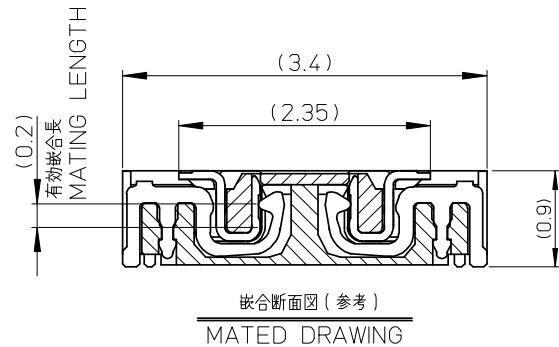
③ (全極数/2)=偶数の場合に適用  
APPLY FOR (CIRCUIT/2)=EVEN

4.嵌合相手 : 501591-\*\*10シリーズ  
WITH MATE : 501591-\*\*10SERIES

5.テール及び金具の平坦度は、0.1以下  
TAIL AND FITTING NAIL COPLANARITY TO BE 0.1 MAXIMUM

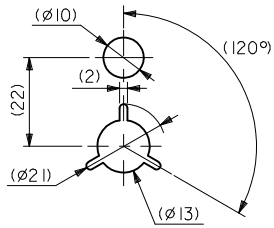
⑥ 斜線部はパターン書き込み禁止範囲と半田禁止範囲を示す。  
ただし、斜線部に同一配線を配置する場合はレジストを施し、この部分に半田は無きこと。  
NO PATTERN CIRCUIT AND NO SOLDER ALLOWED IN THE SHADED AREA.  
HOWEVER, IF NEEDED TO ADD A TRACE OF THE SAME CIRCUIT, PUT THE SOLDER-RESIST,  
YET NO SOLDER ALLOWED IN THE AREA.

7.ELV AND RoHS COMPLIANT.

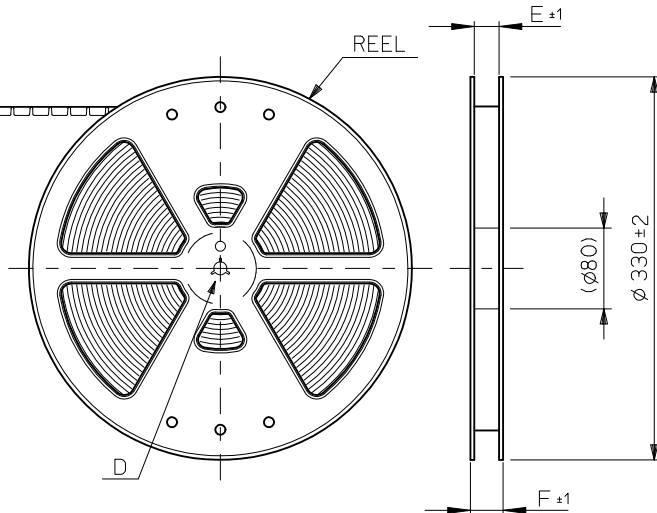


|   |                                       |       |  |                    |  |                        |                           |  |
|---|---------------------------------------|-------|--|--------------------|--|------------------------|---------------------------|--|
| REVISED<br>EC NO: J2008-3370<br>DRW:KSETO 2008/06/17<br>CHK:D*SASAO 2008/06/17<br>APPR:W*SASAO 2008/06/25<br>DESCRIPTION<br>REV | GENERAL TOLERANCES (UNLESS SPECIFIED) |       | DIMENSION STYLE<br>MM ONLY                           |                    | SCALE<br>---   | DESIGN UNITS<br>METRIC | THIRD ANGLE<br>PROJECTION |  |
|   | 10 UNDER                              | ±0.2  | DRAWN BY<br>T. ASAKAWA                               | DATE<br>2006/07/10 | TITLE<br>0.4MM PITCH B/B CONN.<br>H=0.9 W=3.4 PLUG ASSY                                    |                        |                           |  |
|   | 10 OVER 30 UNDER                      | ±0.25 | CHECKED BY<br>M. SASAO                               | DATE<br>2006/07/10 |  |                        |                           |  |
|   | 30 OVER                               | ±0.3  | APPROVED BY<br>M. SASAO                              | DATE<br>2006/07/10 | MOLEX INCORPORATED<br>MATERIAL NO. SEE SHEET 1 DOCUMENT NO. SD-501594-005 SHEET NO. 2 OF 2 |                        |                           |  |
|   | ANGULAR                               | ±3 °  | DRAFT WHERE APPLICABLE MUST REMAIN WITHIN DIMENSIONS |                    |  |                        |                           |  |

引き出し方向  
PULL OUT DIRECTION

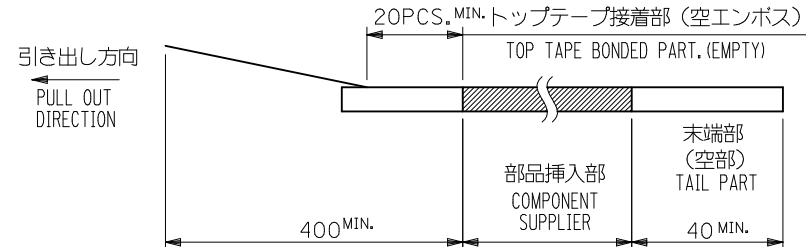


DETAIL D

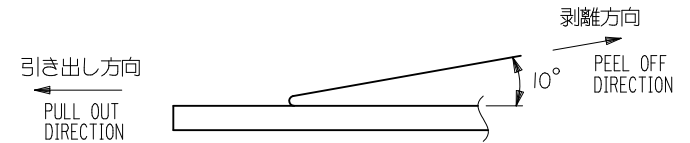


NOTES

- 製品詳細寸法については製品単体図面を参照下さい。  
RE DETAILED DIMENSION, SEE PRODUCT DRAWING.
- 梱包数量：3000 個/リール  
NUMBER OF CONNECTORS : 3000 PCS/REEL
- リードテープ長さ LEAD TAPE LENGTH



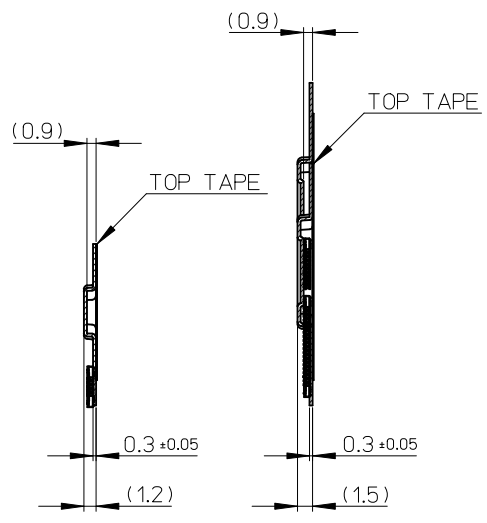
- トップテープの剥離強度：JES-59 参照  
剥離方向は下図参照。  
PEELING OFF STRENGTH OF TOP TAPE : REFER TO JES-59  
PEELING DIRECTION AS SHOWN IN FOLLOWING FIGURE.



- 材料 MATERIAL  
キャリアテープ (CARRIER TAPE) : ポリスチレン (POLYSTYRENE)  
トップテープ (TOPTAPE) : PET , PE , PEF  
リール (REEL) : ポリスチレン (PS) <リサイクル材を含む>  
POLYSTYRENE (PS) <RECYCLE MATERIAL CONTAINED>

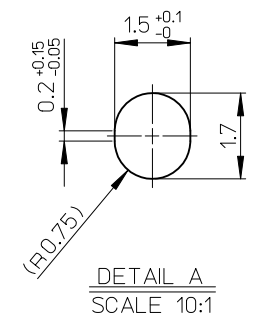
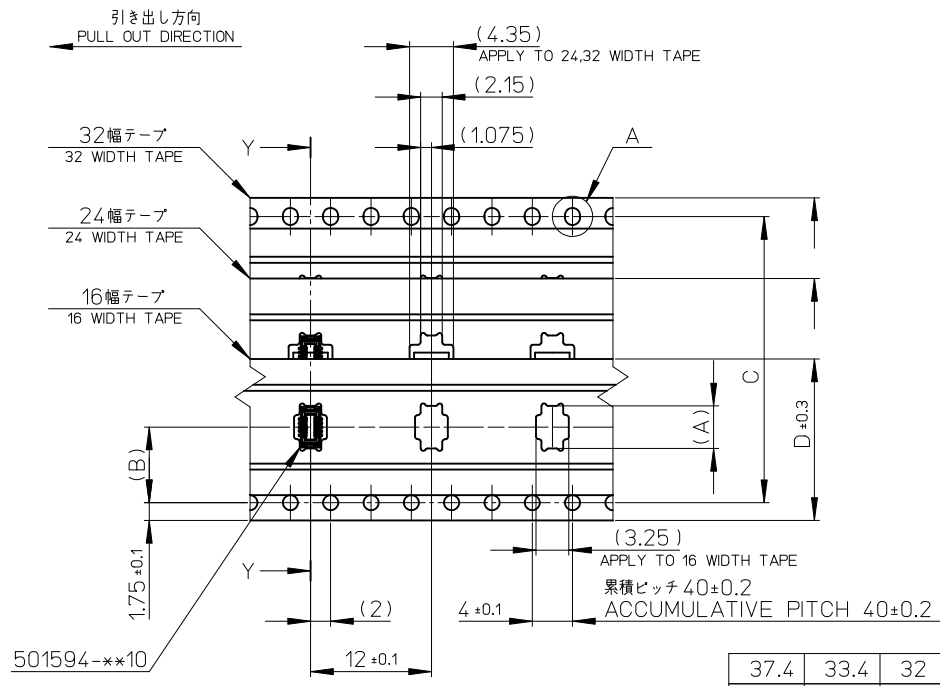
6.ELV AND RoHS COMPLIANT.

|  |                    |  |       |                             |                    |  |  |                        |  |
|--|--------------------|--|-------|-----------------------------|--------------------|--|--|------------------------|--|
| REVISED<br>EC NO: J2012-0023<br>DRWNG: TOYODA 2011/07/05<br>CHKD: TASAKAWA 2011/07/06<br>APPR: MSASAO 2011/11/30 | DESCRIPTION<br>REV | GENERAL TOLERANCES (UNLESS SPECIFIED)                      |       | DIMENSION STYLE<br>MM ONLY  |                    | SCALE<br>---   | 501594-**11  | MODEL NO.              |  |
|  |                    | 10 UNDER   | ±0.2  | DRAWN BY<br>TASAKAWA        | DATE<br>2006/07/10 | TITLE  | 0.4MM PITCH B/B CONN.<br>PLUG ASSY (HGT=0.9)<br>EMBSTP PKG |                        |  |
|  |                    | 10 OVER 30 UNDER   | ±0.25 | CHECKED BY<br>MSASAO        | DATE<br>2006/07/10 | MOLEX INCORPORATED   |  | THIRD ANGLE PROJECTION |  |
|  |                    | 30 OVER  | ±0.3  | APPROVED BY<br>MSASAO       | DATE<br>2006/07/10 | DOCUMENT NO.<br>SD-501594-006  |  | SHEET NO.<br>1 OF 2    |  |
|  |                    | ANGULAR  | ±3 °  | MATERIAL NO.<br>SEE SHEET 1 |                    |  |  |                        |  |
|  |                    | DRAFT WHERE APPLICABLE<br>MUST REMAIN<br>WITHIN DIMENSIONS |       | SIZE<br>A3                  |                    | THIS DRAWING CONTAINS INFORMATION THAT IS PROPRIETARY TO MOLEX<br>INCORPORATED AND SHOULD NOT BE USED WITHOUT WRITTEN PERMISSION |  |                        |  |



SECT Y-Y  
(FOR 16 WIDTH TAPE)

SECT Y-Y  
(FOR 24 WIDTH TAPE  
AND 32 WIDTH TAPE)



|      |      |    |      |      |       |              |            |
|------|------|----|------|------|-------|--------------|------------|
| 37.4 | 33.4 | 32 | 28.4 | 14.2 | 16.21 | 501594-7011  | 70         |
|      |      |    |      |      | 13.01 | 501594-5411  | 54         |
|      |      |    |      |      | 12.21 | 501594-5011  | 50         |
|      |      |    |      |      | 11.01 | 501594-4411  | 44         |
|      |      |    |      |      | 10.21 | 501594-4011  | 40         |
| 29.4 | 25.4 | 24 | —    | 11.5 | 9.01  | 501594-3411  | 34         |
|      |      |    |      |      | 8.21  | 501594-3011  | 30         |
|      |      |    |      |      | 7.41  | 501594-2611  | 26         |
|      |      |    |      |      | 7.01  | 501594-2411  | 24         |
|      |      |    |      |      | 6.61  | 501594-2211  | 22         |
| 21.4 | 17.4 | 16 | —    | 7.5  | 6.21  | 501594-2011  | 20         |
|      |      |    |      |      | 4.61  | 501594-1211  | 12         |
|      |      |    |      |      | 4.21  | 501594-1011  | 10         |
| F    | E    | D  | C    | (B)  | (A)   | MATERIAL NO. | 極数<br>CKT. |

|   |                                       |        |  |                    |   |                        |              |           |
|---|---------------------------------------|--------|--|--------------------|---|------------------------|--------------|-----------|
| REVISED<br>EC NO: J2012-0023<br>DRWN:KTOYODA 2011/07/06<br>CHKD:TASAKAWA 2011/07/06<br>APPR:MSASAO 2011/11/30 | GENERAL TOLERANCES (UNLESS SPECIFIED) |        | DIMENSION STYLE<br>MM ONLY                           |                    | SCALE<br>---  | DESIGN UNITS<br>METRIC | 501594-***11 | MODEL NO. |
|   | 10 UNDER                              | ± 0.2  | DRAWN BY<br>TASAKAWA                                 | DATE<br>2006/07/10 | TITLE<br>0.4MM PITCH B/B CONN.<br>PLUG ASSY (HGT=0.9)<br>EMBSTP PKG |                        |              |           |
|   | 10 OVER 30 UNDER                      | ± 0.25 | CHECKED BY<br>MSASAO                                 | DATE<br>2006/07/10 | MATERIAL NO.<br>SD-501594-006                                       |                        |              |           |
|   | 30 OVER                               | ± 0.3  | APPROVED BY<br>MSASAO                                | DATE<br>2006/07/10 | SHEET NO.<br>2 OF 2   |                        |              |           |
|   | ANGULAR ± 3 °                         |        | DRAFT WHERE APPLICABLE MUST REMAIN WITHIN DIMENSIONS |                    | SEE TABLE   |                        | DOCUMENT NO. |           |



Компания «ЭлектроПласт» предлагает заключение долгосрочных отношений при поставках импортных электронных компонентов на взаимовыгодных условиях!

Наши преимущества:

- Оперативные поставки широкого спектра электронных компонентов отечественного и импортного производства напрямую от производителей и с крупнейших мировых складов;
- Поставка более 17-ти миллионов наименований электронных компонентов;
- Поставка сложных, дефицитных, либо снятых с производства позиций;
- Оперативные сроки поставки под заказ (от 5 рабочих дней);
- Экспресс доставка в любую точку России;
- Техническая поддержка проекта, помощь в подборе аналогов, поставка прототипов;
- Система менеджмента качества сертифицирована по Международному стандарту ISO 9001;
- Лицензия ФСБ на осуществление работ с использованием сведений, составляющих государственную тайну;
- Поставка специализированных компонентов (Xilinx, Altera, Analog Devices, Intersil, Interpoint, Microsemi, Aeroflex, Peregrine, Syfer, Eurofarad, Texas Instrument, Miteq, Cobham, E2V, MA-COM, Hittite, Mini-Circuits, General Dynamics и др.);

Помимо этого, одним из направлений компании «ЭлектроПласт» является направление «Источники питания». Мы предлагаем Вам помощь Конструкторского отдела:

- Подбор оптимального решения, техническое обоснование при выборе компонента;
- Подбор аналогов;
- Консультации по применению компонента;
- Поставка образцов и прототипов;
- Техническая поддержка проекта;
- Защита от снятия компонента с производства.



#### Как с нами связаться

**Телефон:** 8 (812) 309 58 32 (многоканальный)

**Факс:** 8 (812) 320-02-42

**Электронная почта:** [org@eplast1.ru](mailto:org@eplast1.ru)

**Адрес:** 198099, г. Санкт-Петербург, ул. Калинина, дом 2, корпус 4, литера А.