



## 2- CHANNEL HIGH DEFINITION AUDIO CODEC

## STAC9200

### Description

The STAC9200 is a high quality, 2-channel audio CODEC compatible with the Intel High Definition (HD) Audio Interface. The STAC9200 provides Stereo 24-Bit resolution with sample rates up to 192 KHz. SPDIF I/O provides connectivity to consumer electronic equipment. The STAC9200 incorporates TSI's proprietary SD technology to achieve an estimated DAC SNR in excess of 100dB. The STAC9200 provides high quality, HD Audio capability to notebook and cost sensitive desktop PC applications.

### Features

- High performance SD technology
- 100dB DAC SNR
- Intel HD Audio Interface
- Two Channel DACs and ADCs with 24-bit resolution
- Sample rates up to 192 KHz
- Mixer-less design
  - Low-latency Karaoke Mode Supported
- Integrated Headphone Amplifiers
- Stereo Microphone
  - Supports Stereo Microphone
  - Microphone Boost 0, 10, 20, 30, 40dB
- Direct CDROM Recording Mixerless Design
- S/PDIF In and Out
- Universal Jacks™ Functionality for jack retasking
- Adjustable VREF Out
- Digital PC Beep to all outputs
- +3.3 V, +4 V and +5 V analog power supply options  
(The +4 V Analog voltage is supported by the +5 V version of the STAC9200. Request +4 V configuration of the driver.)
- 32-pad QFN (5mm x 5mm) and 48-pin LQFP package options

**Table of Contents**

**1. DESCRIPTION ..... 11**

**2. PERFORMANCE ..... 12**

    2.1. Audio Fidelity ..... 12

    2.2. Electrical Specifications ..... 12

        2.2.1. Absolute Maximum Ratings ..... 12

        2.2.2. Recommended Operation Conditions ..... 12

    2.3. Power Consumption ..... 13

        2.3.1. Digital ..... 13

        2.3.2. Analog ..... 13

    2.4. STAC9200 5V Analog Performance Characteristics ..... 14

    2.5. STAC9200 4V Analog Performance Characteristics ..... 16

    2.6. STAC9200 3.3V Analog Performance Characteristics ..... 18

**3. EXTENDED FEATURE EXPLANATION ..... 20**

    3.1. SPDIF Input ..... 20

    3.2. SPDIF Output ..... 20

    3.3. Universal Jacks™ ..... 20

    3.4. Audio Jack Presence Detect ..... 20

**4. BLOCK DIAGRAMS AND TYPICAL HOOKUPS ..... 21**

    4.1. Functional Block Diagram ..... 21

    4.2. STAC9200 Typical Connection Diagram for 48-pin LQFP ..... 22

    4.3. STAC9200 Split Independent Power Supply for 48-pin LQFP ..... 22

    4.4. STAC9200 Typical Connection Diagram for 32-pad QFN ..... 22

    4.5. STAC9200 Split Independent Power Supply for 32-pad QFN ..... 22

**5. WIDGET INFORMATION ..... 23**

    5.1. Widget Diagram ..... 23

    5.2. STAC9200 Widget List ..... 24

    5.3. Root Node (NID = 0x00) ..... 25

        5.3.1. Root PnpID ..... 25

        5.3.2. Root RevID ..... 25

        5.3.3. Root NodeInfo ..... 26

    5.4. AFG Node (NID = 0x01) ..... 26

        5.4.1. AFG Reset ..... 26

        5.4.2. AFG NodeInfo ..... 27

        5.4.3. AFG Type ..... 27

        5.4.4. AFG GrpCap ..... 27

        5.4.5. AFG FrmtCap ..... 28

        5.4.6. AFG StreamCap ..... 29

        5.4.7. AFG PwrCap ..... 30

        5.4.8. AFG GPIOCap ..... 30

        5.4.9. AFG OutAmpCap ..... 31

        5.4.10. AFG PwrState ..... 32

        5.4.11. AFG UnsolResp ..... 32

        5.4.12. AFG GPIO ..... 33

        5.4.13. AFG GPIOEn ..... 34

        5.4.14. AFG GPIODir ..... 35

        5.4.15. AFG GPIOWake ..... 35

        5.4.16. AFG GPIOUnsolen ..... 36

        5.4.17. AFG GPIOSticky ..... 37

        5.4.18. AFG SysID ..... 38

    5.5. DAC0Cnvtr Node (NID = 0x02) ..... 39

        5.5.1. DAC0Cnvtr Frmt ..... 39

        5.5.2. DAC0Cnvtr WCap ..... 40

        5.5.3. DAC0Cnvtr PwrState ..... 41

        5.5.4. DAC0Cnvtr Stream ..... 42

    5.6. ADC0Cnvtr Node (NID = 0x03) ..... 42

        5.6.1. ADC0Cnvtr Frmt ..... 42

        5.6.2. ADC0Cnvtr WCap ..... 43

# STAC9200

## 2-Channel High Definition Audio Codec

|  |    |
|--|----|
| 5.6.3. ADC0Cnvtr ConnLen .....             | 44 |
| 5.6.4. ADC0Cnvtr ConnLst .....             | 45 |
| 5.6.5. ADC0Cnvtr ProcState .....           | 45 |
| 5.6.6. ADC0Cnvtr PwrState .....            | 46 |
| 5.6.7. ADC0Cnvtr Stream .....              | 47 |
| 5.7. SPDIFinCnvtr Node (NID = 0x04) .....  | 47 |
| 5.7.1. SPDIFinCnvtr Frmt .....             | 47 |
| 5.7.2. SPDIFinCnvtr WCap .....             | 48 |
| 5.7.3. SPDIFinCnvtr FrmtCap .....          | 49 |
| 5.7.4. SPDIFinCnvtr StreamCap .....        | 50 |
| 5.7.5. SPDIFinCnvtr ConnLen .....          | 51 |
| 5.7.6. SPDIFinCnvtr ConnLst .....          | 51 |
| 5.7.7. SPDIFinCnvtr Stream .....           | 52 |
| 5.7.8. SPDIFinCnvtr DigCtl .....           | 52 |
| 5.8. SPDIFoutCnvtr Node (NID = 0x05) ..... | 53 |
| 5.8.1. SPDIFoutCnvtr Frmt .....            | 53 |
| 5.8.2. SPDIFoutCnvtr WCap .....            | 54 |
| 5.8.3. SPDIFoutCnvtr FrmtCap .....         | 55 |
| 5.8.4. SPDIFoutCnvtr StreamCap .....       | 56 |
| 5.8.5. SPDIFoutCnvtr Stream .....          | 57 |
| 5.8.6. SPDIFoutCnvtr DigCtl .....          | 57 |
| 5.9. DAC0Mux Node (NID = 0x07) .....       | 58 |
| 5.9.1. DAC0Mux WCap .....                  | 58 |
| 5.9.2. DAC0Mux ConnLen .....               | 59 |
| 5.9.3. DAC0Mux ConnSel .....               | 60 |
| 5.9.4. DAC0Mux ConnLst .....               | 60 |
| 5.9.5. DAC0Mux LR .....                    | 60 |
| 5.10. DigInPin Node (NID = 0x08) .....     | 61 |
| 5.10.1. DigInPin WCap .....                | 61 |
| 5.10.2. DigInPin Cap .....                 | 62 |
| 5.10.3. DigInPin PwrState .....            | 63 |
| 5.10.4. DigInPin Ctl .....                 | 63 |
| 5.10.5. DigInPin UnsolResp .....           | 64 |
| 5.10.6. DigInPin Sense .....               | 64 |
| 5.10.7. DigInPin EAPD .....                | 65 |
| 5.10.8. DigInPin Config .....              | 65 |
| 5.11. DigOutPin Node (NID = 0x09) .....    | 66 |
| 5.11.1. DigOutPin WCap .....               | 66 |
| 5.11.2. DigOutPin Cap .....                | 67 |
| 5.11.3. DigOutPin ConnLen .....            | 68 |
| 5.11.4. DigOutPin ConnSel .....            | 69 |
| 5.11.5. DigOutPin ConnLst .....            | 69 |
| 5.11.6. DigOutPin Ctl .....                | 69 |
| 5.11.7. DigOutPin Config .....             | 70 |
| 5.12. ADC0Mux Node (NID = 0x0A) .....      | 71 |
| 5.12.1. ADC0Mux VolRight .....             | 71 |
| 5.12.2. ADC0Mux VolLeft .....              | 71 |
| 5.12.3. ADC0Mux WCap .....                 | 72 |
| 5.12.4. ADC0Mux OutAmpCap .....            | 73 |
| 5.12.5. ADC0Mux ConnLen .....              | 73 |
| 5.12.6. ADC0Mux ConnLst .....              | 74 |
| 5.12.7. ADC0Mux LR .....                   | 74 |
| 5.13. MasterVol Node (NID = 0x0B) .....    | 75 |
| 5.13.1. MasterVol Right .....              | 75 |
| 5.13.2. MasterVol Left .....               | 75 |
| 5.13.3. MasterVol WCap .....               | 76 |
| 5.13.4. MasterVol ConnLen .....            | 77 |
| 5.13.5. MasterVol ConnLst .....            | 77 |
| 5.14. InPortMux Node (NID = 0x0C) .....    | 78 |

# STAC9200

## 2-Channel High Definition Audio Codec

---

|  |     |
|--|-----|
| 5.14.1. InPortMux VolRight .....         | 78  |
| 5.14.2. InPortMux VolLeft .....          | 78  |
| 5.14.3. InPortMux WCap .....             | 79  |
| 5.14.4. InPortMux ConnLen .....          | 80  |
| 5.14.5. InPortMux AmpCap .....           | 80  |
| 5.14.6. InPortMux ConnSel .....          | 81  |
| 5.14.7. InPortMux ConnLst0 .....         | 81  |
| 5.14.8. InPortMux ConnLst4 .....         | 81  |
| 5.15. PortAPin Node (NID = 0x0D) .....   | 82  |
| 5.15.1. PortAPin WCap .....              | 82  |
| 5.15.2. PortAPin Cap .....               | 83  |
| 5.15.3. PortAPin ConnLen .....           | 84  |
| 5.15.4. PortAPin ConnLst .....           | 84  |
| 5.15.5. PortAPin Ctl .....               | 84  |
| 5.15.6. PortAPin UnsolResp .....         | 85  |
| 5.15.7. PortAPin Sense .....             | 86  |
| 5.15.8. PortAPin Config .....            | 86  |
| 5.16. PortDPin Node (NID = 0x0E) .....   | 87  |
| 5.16.1. PortDPin WCap .....              | 87  |
| 5.16.2. PortDPin Cap .....               | 88  |
| 5.16.3. PortDPin ConnLen .....           | 89  |
| 5.16.4. PortDPin ConnLst .....           | 89  |
| 5.16.5. PortDPin Ctl .....               | 90  |
| 5.16.6. PortDPin UnsolResp .....         | 90  |
| 5.16.7. PortDPin Sense .....             | 91  |
| 5.16.8. PortDPin Config .....            | 92  |
| 5.17. PortCPin Node (NID = 0x0F) .....   | 92  |
| 5.17.1. PortCPin WCap .....              | 92  |
| 5.17.2. PortCPin Cap .....               | 93  |
| 5.17.3. PortCPin ConnLen .....           | 94  |
| 5.17.4. PortCPin ConnLst .....           | 95  |
| 5.17.5. PortCPin Ctl .....               | 95  |
| 5.17.6. PortCPin UnsolResp .....         | 96  |
| 5.17.7. PortCPin Sense .....             | 96  |
| 5.17.8. PortCPin Config .....            | 97  |
| 5.18. PortBPin Node (NID = 0x10) .....   | 98  |
| 5.18.1. PortBPin WCap .....              | 98  |
| 5.18.2. PortBPin Cap .....               | 99  |
| 5.18.3. PortBPin ConnLen .....           | 100 |
| 5.18.4. PortBPin ConnLst .....           | 100 |
| 5.18.5. PortBPin Ctl .....               | 100 |
| 5.18.6. PortBPin UnsolResp .....         | 101 |
| 5.18.7. PortBPin Sense .....             | 102 |
| 5.18.8. PortBPin Config .....            | 102 |
| 5.19. MonoOutPin Node (NID = 0x11) ..... | 103 |
| 5.19.1. MonoOutPin Vol .....             | 103 |
| 5.19.2. MonoOutPin WCap .....            | 104 |
| 5.19.3. MonoOutPin Cap .....             | 105 |
| 5.19.4. MonoOutPin ConnLen .....         | 105 |
| 5.19.5. MonoOutPin ConnLst .....         | 106 |
| 5.19.6. MonoOutPin Ctl .....             | 106 |
| 5.19.7. MonoOutPin Config .....          | 107 |
| 5.20. CDPin Node (NID = 0x12) .....      | 108 |
| 5.20.1. CDPin WCap .....                 | 108 |
| 5.20.2. CDPin Cap .....                  | 109 |
| 5.20.3. CDPin Ctl .....                  | 110 |
| 5.20.4. CDPin Config .....               | 110 |
| 5.21. MonoOutMix Node (NID = 0x13) ..... | 111 |
| 5.21.1. MonoOutMix WCap .....            | 111 |

# STAC9200

## 2-Channel High Definition Audio Codec

|   |            |
|---|------------|
| 5.21.2. MonoOutMix ConnLen .....  | 112        |
| 5.21.3. MonoOutMix ConnLst .....  | 112        |
| 5.22. PCBeep Node (NID = 0x14) .....                                    | 113        |
| 5.22.1. PCBeep Vol .....  | 113        |
| 5.22.2. PCBeep WCap .....   | 113        |
| 5.22.3. PCBeep OutAmpCap .....  | 114        |
| 5.22.4. PCBeep Gen .....  | 115        |
| <b>6. ORDERING INFORMATION .....</b>                                    | <b>116</b> |
| 6.1. STAC9200 Family Options and Part Order Numbers .....               | 116        |
| <b>7. PIN INFORMATION .....</b>   | <b>117</b> |
| 7.1. Pin Out .....  | 117        |
| 7.2. Pin Table for 48-pin LQFP and 32-pad QFN Packages .....            | 118        |
| <b>8. PACKAGE DRAWINGS .....</b>  | <b>120</b> |
| 8.1. 32-pin QFN .....   | 120        |
| 8.2. 48-Pin LQFP .....  | 121        |
| <b>9. SOLDER REFLOW PROFILE .....</b>                                   | <b>122</b> |
| 9.1. Standard Reflow Profile Data .....                                 | 122        |
| 9.2. Pb Free Process - Package Classification Reflow Temperatures ..... | 123        |
| <b>10. REVISION HISTORY .....</b>                                       | <b>124</b> |

## List of Figures

|  |     |
|--|-----|
| Figure 1. Functional Block Diagram .....                           | 21  |
| Figure 2. Widget Diagram .....                                     | 23  |
| Figure 3. 32-Pad QFN Package Outline and Package Dimensions .....  | 120 |
| Figure 4. 48-Pin LQFP Package Outline and Package Dimensions ..... | 121 |
| Figure 5. Solder Reflow Profile .....                              | 122 |

## List of Tables

|   |    |
|---|----|
| Table 1. Digital Power Consumption .....              | 13 |
| Table 2. Analog Power Consumption .....               | 13 |
| Table 3. High Definition Audio Widget .....           | 24 |
| Table 4. Root PnpID Command Verb Format .....         | 25 |
| Table 5. Root PnpID Command Response Format .....     | 25 |
| Table 6. Root RevID Command Verb Format .....         | 25 |
| Table 7. Root RevID Command Response Format .....     | 25 |
| Table 8. Root NodeInfo Command Verb Format .....      | 26 |
| Table 9. Root NodeInfo Command Response Format .....  | 26 |
| Table 10. AFG Reset Command Verb Format .....         | 26 |
| Table 11. AFG Reset Command Response Format .....     | 26 |
| Table 12. AFG NodeInfo Command Verb Format .....      | 27 |
| Table 13. AFG NodeInfo Command Response Format .....  | 27 |
| Table 14. AFG Type Command Verb Format .....          | 27 |
| Table 15. AFG Type Command Response Format .....      | 27 |
| Table 16. AFG GrpCap Command Verb Format .....        | 27 |
| Table 17. AFG GrpCap Command Response Format .....    | 28 |
| Table 18. AFG FrmtCap Command Verb Format .....       | 28 |
| Table 19. AFG FrmtCap Command Response Format .....   | 28 |
| Table 20. AFG StreamCap Command Verb Format .....     | 29 |
| Table 21. AFG StreamCap Command Response Format ..... | 29 |
| Table 22. AFG PwrCap Command Verb Format .....        | 30 |
| Table 23. AFG PwrCap Command Response Format .....    | 30 |
| Table 24. AFG GPIOCap Command Verb Format .....       | 30 |

# STAC9200

## 2-Channel High Definition Audio Codec

|  |    |
|--|----|
| Table 25. AFG GPIOCap Command Response Format .....            | 31 |
| Table 26. AFG OutAmpCap Command Verb Format .....              | 31 |
| Table 27. AFG OutAmpCap Command Response Format .....          | 31 |
| Table 28. AFG PwrState Command Verb Format .....               | 32 |
| Table 29. AFG PwrState Command Response Format .....           | 32 |
| Table 30. AFG UnsolResp Command Verb Format .....              | 32 |
| Table 31. AFG UnsolResp Command Response Format .....          | 33 |
| Table 32. AFG GPIO Command Verb Format .....                   | 33 |
| Table 33. AFG GPIO Command Response Format .....               | 33 |
| Table 34. AFG GPIOEn Command Verb Format .....                 | 34 |
| Table 35. AFG GPIOEn Command Response Format .....             | 34 |
| Table 36. AFG GPIODir Command Verb Format .....                | 35 |
| Table 37. AFG GPIODir Command Response Format .....            | 35 |
| Table 38. AFG GPIOWake Command Verb Format .....               | 35 |
| Table 39. AFG GPIOWake Command Response Format .....           | 36 |
| Table 40. AFG GPIOUnsolEn Command Verb Format .....            | 36 |
| Table 41. AFG GPIOUnsolEn Command Response Format .....        | 36 |
| Table 42. AFG GPIOSticky Command Verb Format .....             | 37 |
| Table 43. AFG GPIOSticky Command Response Format .....         | 37 |
| Table 44. AFG SysID Command Verb Format .....                  | 38 |
| Table 45. AFG SysID Command Response Format .....              | 38 |
| Table 46. DAC0Cnvtr Frmt Command Verb Format .....             | 39 |
| Table 47. DAC0Cnvtr Frmt Command Response Format .....         | 39 |
| Table 48. DAC0Cnvtr WCap Command Verb Format .....             | 40 |
| Table 49. DAC0Cnvtr WCap Command Response Format .....         | 40 |
| Table 50. DAC0Cnvtr PwrState Command Verb Format .....         | 41 |
| Table 51. DAC0Cnvtr PwrState Command Response Format .....     | 41 |
| Table 52. DAC0Cnvtr Stream Command Verb Format .....           | 42 |
| Table 53. DAC0Cnvtr Stream Command Response Format .....       | 42 |
| Table 54. ADC0Cnvtr Frmt Command Verb Format .....             | 42 |
| Table 55. ADC0Cnvtr Frmt Command Response Format .....         | 42 |
| Table 56. ADC0Cnvtr WCap Command Verb Format .....             | 43 |
| Table 57. ADC0Cnvtr WCap Command Response Format .....         | 44 |
| Table 58. ADC0Cnvtr ConnLen Command Verb Format .....          | 44 |
| Table 59. ADC0Cnvtr ConnLen Command Response Format .....      | 45 |
| Table 60. ADC0Cnvtr ConnLst Command Verb Format .....          | 45 |
| Table 61. ADC0Cnvtr ConnLst Command Response Format .....      | 45 |
| Table 62. ADC0Cnvtr ProcState Command Verb Format .....        | 45 |
| Table 63. ADC0Cnvtr ProcState Command Response Format .....    | 46 |
| Table 64. ADC0Cnvtr PwrState Command Verb Format .....         | 46 |
| Table 65. ADC0Cnvtr PwrState Command Response Format .....     | 46 |
| Table 66. ADC0Cnvtr Stream Command Verb Format .....           | 47 |
| Table 67. ADC0Cnvtr Stream Command Response Format .....       | 47 |
| Table 68. SPDIFinCnvtr Frmt Command Verb Format .....          | 47 |
| Table 69. SPDIFinCnvtr Frmt Command Response Format .....      | 47 |
| Table 70. SPDIFinCnvtr WCap Command Verb Format .....          | 48 |
| Table 71. SPDIFinCnvtr WCap Command Response Format .....      | 48 |
| Table 72. SPDIFinCnvtr FrmtCap Command Verb Format .....       | 49 |
| Table 73. SPDIFinCnvtr FrmtCap Command Response Format .....   | 49 |
| Table 74. SPDIFinCnvtr StreamCap Command Verb Format .....     | 50 |
| Table 75. SPDIFinCnvtr StreamCap Command Response Format ..... | 51 |
| Table 76. SPDIFinCnvtr ConnLen Command Verb Format .....       | 51 |
| Table 77. SPDIFinCnvtr ConnLen Command Response Format .....   | 51 |
| Table 78. SPDIFinCnvtr ConnLst Command Verb Format .....       | 51 |
| Table 79. SPDIFinCnvtr ConnLst Command Response Format .....   | 51 |
| Table 80. SPDIFinCnvtr Stream Command Verb Format .....        | 52 |
| Table 81. SPDIFinCnvtr Stream Command Response Format .....    | 52 |
| Table 82. SPDIFinCnvtr DigCtl Command Verb Format .....        | 52 |
| Table 83. SPDIFinCnvtr DigCtl Command Response Format .....    | 52 |

|   |    |
|---|----|
| Table 84. SPDIFoutCnvtr Frmt Command Verb Format .....          | 53 |
| Table 85. SPDIFoutCnvtr Frmt Command Response Format .....      | 53 |
| Table 86. SPDIFoutCnvtr WCap Command Verb Format .....          | 54 |
| Table 87. SPDIFoutCnvtr WCap Command Response Format .....      | 55 |
| Table 88. SPDIFoutCnvtr FrmtCap Command Verb Format .....       | 55 |
| Table 89. SPDIFoutCnvtr FrmtCap Command Response Format .....   | 56 |
| Table 90. SPDIFoutCnvtr StreamCap Command Verb Format .....     | 56 |
| Table 91. SPDIFoutCnvtr StreamCap Command Response Format ..... | 57 |
| Table 92. SPDIFoutCnvtr Stream Command Verb Format .....        | 57 |
| Table 93. SPDIFoutCnvtr Stream Command Response Format .....    | 57 |
| Table 94. SPDIFoutCnvtr DigCtl Command Verb Format .....        | 57 |
| Table 95. SPDIFoutCnvtr DigCtl Command Response Format .....    | 58 |
| Table 96. DAC0Mux WCap Command Verb Format .....                | 58 |
| Table 97. DAC0Mux WCap Command Response Format .....            | 58 |
| Table 98. DAC0Mux ConnLen Command Verb Format .....             | 59 |
| Table 99. DAC0Mux ConnLen Command Response Format .....         | 59 |
| Table 100. DAC0Mux ConnSel Command Verb Format .....            | 60 |
| Table 101. DAC0Mux ConnSel Command Response Format .....        | 60 |
| Table 102. DAC0Mux ConnLst Command Verb Format .....            | 60 |
| Table 103. DAC0Mux ConnLst Command Response Format .....        | 60 |
| Table 104. DAC0Mux LR Command Verb Format .....                 | 60 |
| Table 105. DAC0Mux LR Command Response Format .....             | 61 |
| Table 106. DigInPin WCap Command Verb Format .....              | 61 |
| Table 107. DigInPin WCap Command Response Format .....          | 61 |
| Table 108. DigInPin Cap Command Verb Format .....               | 62 |
| Table 109. DigInPin Cap Command Response Format .....           | 62 |
| Table 110. DigInPin PwrState Command Verb Format .....          | 63 |
| Table 111. DigInPin PwrState Command Response Format .....      | 63 |
| Table 112. DigInPin Ctl Command Verb Format .....               | 63 |
| Table 113. DigInPin Ctl Command Response Format .....           | 63 |
| Table 114. DigInPin UnsolResp Command Verb Format .....         | 64 |
| Table 115. DigInPin UnsolResp Command Response Format .....     | 64 |
| Table 116. DigInPin Sense Command Verb Format .....             | 64 |
| Table 117. DigInPin Sense Command Response Format .....         | 65 |
| Table 118. DigInPin EAPD Command Verb Format .....              | 65 |
| Table 119. DigInPin EAPD Command Response Format .....          | 65 |
| Table 120. DigInPin Config Command Verb Format .....            | 65 |
| Table 121. DigInPin Config Command Response Format .....        | 66 |
| Table 122. DigOutPin WCap Command Verb Format .....             | 66 |
| Table 123. DigOutPin WCap Command Response Format .....         | 67 |
| Table 124. DigOutPin Cap Command Verb Format .....              | 67 |
| Table 125. DigOutPin Cap Command Response Format .....          | 68 |
| Table 126. DigOutPin ConnLen Command Verb Format .....          | 68 |
| Table 127. DigOutPin ConnLen Command Response Format .....      | 68 |
| Table 128. DigOutPin ConnSel Command Verb Format .....          | 69 |
| Table 129. DigOutPin ConnSel Command Response Format .....      | 69 |
| Table 130. DigOutPin ConnLst Command Verb Format .....          | 69 |
| Table 131. DigOutPin ConnLst Command Response Format .....      | 69 |
| Table 132. DigOutPin Ctl Command Verb Format .....              | 69 |
| Table 133. DigOutPin Ctl Command Response Format .....          | 70 |
| Table 134. DigOutPin Config Command Verb Format .....           | 70 |
| Table 135. DigOutPin Config Command Response Format .....       | 70 |
| Table 136. ADC0Mux VolRight Command Verb Format .....           | 71 |
| Table 137. ADC0Mux VolRight Command Response Format .....       | 71 |
| Table 138. ADC0Mux VolLeft Command Verb Format .....            | 71 |
| Table 139. ADC0Mux VolLeft Command Response Format .....        | 72 |
| Table 140. ADC0Mux WCap Command Verb Format .....               | 72 |
| Table 141. ADC0Mux WCap Command Response Format .....           | 72 |
| Table 142. ADC0Mux OutAmpCap Command Verb Format .....          | 73 |



|   |    |
|---|----|
| Table 143. ADC0Mux OutAmpCap Command Response Format .....  | 73 |
| Table 144. ADC0Mux ConnLen Command Verb Format .....        | 73 |
| Table 145. ADC0Mux ConnLen Command Response Format .....    | 74 |
| Table 146. ADC0Mux ConnLst Command Verb Format .....        | 74 |
| Table 147. ADC0Mux ConnLst Command Response Format .....    | 74 |
| Table 148. ADC0Mux LR Command Verb Format .....             | 74 |
| Table 149. ADC0Mux LR Command Response Format .....         | 74 |
| Table 150. MasterVol Right Command Verb Format .....        | 75 |
| Table 151. MasterVol Right Command Response Format .....    | 75 |
| Table 152. MasterVol Left Command Verb Format .....         | 75 |
| Table 153. MasterVol Left Command Response Format .....     | 76 |
| Table 154. MasterVol WCap Command Verb Format .....         | 76 |
| Table 155. MasterVol WCap Command Response Format .....     | 76 |
| Table 156. MasterVol ConnLen Command Verb Format .....      | 77 |
| Table 157. MasterVol ConnLen Command Response Format .....  | 77 |
| Table 158. MasterVol ConnLst Command Verb Format .....      | 77 |
| Table 159. MasterVol ConnLst Command Response Format .....  | 77 |
| Table 160. InPortMux VolRight Command Verb Format .....     | 78 |
| Table 161. InPortMux VolRight Command Response Format ..... | 78 |
| Table 162. InPortMux VolLeft Command Verb Format .....      | 78 |
| Table 163. InPortMux VolLeft Command Response Format .....  | 78 |
| Table 164. InPortMux WCap Command Verb Format .....         | 79 |
| Table 165. InPortMux WCap Command Response Format .....     | 79 |
| Table 166. InPortMux ConnLen Command Verb Format .....      | 80 |
| Table 167. InPortMux ConnLen Command Response Format .....  | 80 |
| Table 168. InPortMux AmpCap Command Verb Format .....       | 80 |
| Table 169. InPortMux AmpCap Command Response Format .....   | 80 |
| Table 170. InPortMux ConnSel Command Verb Format .....      | 81 |
| Table 171. InPortMux ConnSel Command Response Format .....  | 81 |
| Table 172. InPortMux ConnLst0 Command Verb Format .....     | 81 |
| Table 173. InPortMux ConnLst0 Command Response Format ..... | 81 |
| Table 174. InPortMux ConnLst4 Command Verb Format .....     | 81 |
| Table 175. InPortMux ConnLst4 Command Response Format ..... | 82 |
| Table 176. PortAPin WCap Command Verb Format .....          | 82 |
| Table 177. PortAPin WCap Command Response Format .....      | 82 |
| Table 178. PortAPin Cap Command Verb Format .....           | 83 |
| Table 179. PortAPin Cap Command Response Format .....       | 83 |
| Table 180. PortAPin ConnLen Command Verb Format .....       | 84 |
| Table 181. PortAPin ConnLen Command Response Format .....   | 84 |
| Table 182. PortAPin ConnLst Command Verb Format .....       | 84 |
| Table 183. PortAPin ConnLst Command Response Format .....   | 84 |
| Table 184. PortAPin Ctl Command Verb Format .....           | 84 |
| Table 185. PortAPin Ctl Command Response Format .....       | 85 |
| Table 186. PortAPin UnsolResp Command Verb Format .....     | 85 |
| Table 187. PortAPin UnsolResp Command Response Format ..... | 85 |
| Table 188. PortAPin Sense Command Verb Format .....         | 86 |
| Table 189. PortAPin Sense Command Response Format .....     | 86 |
| Table 190. PortAPin Config Command Verb Format .....        | 86 |
| Table 191. PortAPin Config Command Response Format .....    | 87 |
| Table 192. PortDPin WCap Command Verb Format .....          | 87 |
| Table 193. PortDPin WCap Command Response Format .....      | 87 |
| Table 194. PortDPin Cap Command Verb Format .....           | 88 |
| Table 195. PortDPin Cap Command Response Format .....       | 88 |
| Table 196. PortDPin ConnLen Command Verb Format .....       | 89 |
| Table 197. PortDPin ConnLen Command Response Format .....   | 89 |
| Table 198. PortDPin ConnLst Command Verb Format .....       | 89 |
| Table 199. PortDPin ConnLst Command Response Format .....   | 90 |
| Table 200. PortDPin Ctl Command Verb Format .....           | 90 |
| Table 201. PortDPin Ctl Command Response Format .....       | 90 |



---

|   |     |
|---|-----|
| Table 202. PortDPin UnsolResp Command Verb Format .....     | 90  |
| Table 203. PortDPin UnsolResp Command Response Format ..... | 91  |
| Table 204. PortDPin Sense Command Verb Format .....         | 91  |
| Table 205. PortDPin Sense Command Response Format .....     | 91  |
| Table 206. PortDPin Config Command Verb Format .....        | 92  |
| Table 207. PortDPin Config Command Response Format .....    | 92  |
| Table 208. PortCPin WCap Command Verb Format .....          | 92  |
| Table 209. PortCPin WCap Command Response Format .....      | 93  |
| Table 210. PortCPin Cap Command Verb Format .....           | 93  |
| Table 211. PortCPin Cap Command Response Format .....       | 94  |
| Table 212. PortCPin ConnLen Command Verb Format .....       | 94  |
| Table 213. PortCPin ConnLen Command Response Format .....   | 94  |
| Table 214. PortCPin ConnLst Command Verb Format .....       | 95  |
| Table 215. PortCPin ConnLst Command Response Format .....   | 95  |
| Table 216. PortCPin Ctl Command Verb Format .....           | 95  |
| Table 217. PortCPin Ctl Command Response Format .....       | 95  |
| Table 218. PortCPin UnsolResp Command Verb Format .....     | 96  |
| Table 219. PortCPin UnsolResp Command Response Format ..... | 96  |
| Table 220. PortCPin Sense Command Verb Format .....         | 96  |
| Table 221. PortCPin Sense Command Response Format .....     | 96  |
| Table 222. PortCPin Config Command Verb Format .....        | 97  |
| Table 223. PortCPin Config Command Response Format .....    | 97  |
| Table 224. PortBPin WCap Command Verb Format .....          | 98  |
| Table 225. PortBPin WCap Command Response Format .....      | 98  |
| Table 226. PortBPin Cap Command Verb Format .....           | 99  |
| Table 227. PortBPin Cap Command Response Format .....       | 99  |
| Table 228. PortBPin ConnLen Command Verb Format .....       | 100 |
| Table 229. PortBPin ConnLen Command Response Format .....   | 100 |
| Table 230. PortBPin ConnLst Command Verb Format .....       | 100 |
| Table 231. PortBPin ConnLst Command Response Format .....   | 100 |
| Table 232. PortBPin Ctl Command Verb Format .....           | 100 |
| Table 233. PortBPin Ctl Command Response Format .....       | 101 |
| Table 234. PortBPin UnsolResp Command Verb Format .....     | 101 |
| Table 235. PortBPin UnsolResp Command Response Format ..... | 101 |
| Table 236. PortBPin Sense Command Verb Format .....         | 102 |
| Table 237. PortBPin Sense Command Response Format .....     | 102 |
| Table 238. PortBPin Config Command Verb Format .....        | 102 |
| Table 239. PortBPin Config Command Response Format .....    | 103 |
| Table 240. MonoOutPin Vol Command Verb Format .....         | 103 |
| Table 241. MonoOutPin Vol Command Response Format .....     | 103 |
| Table 242. MonoOutPin WCap Command Verb Format .....        | 104 |
| Table 243. MonoOutPin WCap Command Response Format .....    | 104 |
| Table 244. MonoOutPin Cap Command Verb Format .....         | 105 |
| Table 245. MonoOutPin Cap Command Response Format .....     | 105 |
| Table 246. MonoOutPin ConnLen Command Verb Format .....     | 105 |
| Table 247. MonoOutPin ConnLen Command Response Format ..... | 106 |
| Table 248. MonoOutPin ConnLst Command Verb Format .....     | 106 |
| Table 249. MonoOutPin ConnLst Command Response Format ..... | 106 |
| Table 250. MonoOutPin Ctl Command Verb Format .....         | 106 |
| Table 251. MonoOutPin Ctl Command Response Format .....     | 107 |
| Table 252. MonoOutPin Config Command Verb Format .....      | 107 |
| Table 253. MonoOutPin Config Command Response Format .....  | 107 |
| Table 254. CDPin WCap Command Verb Format .....             | 108 |
| Table 255. CDPin WCap Command Response Format .....         | 108 |
| Table 256. CDPin Cap Command Verb Format .....              | 109 |
| Table 257. CDPin Cap Command Response Format .....          | 109 |
| Table 258. CDPin Ctl Command Verb Format .....              | 110 |
| Table 259. CDPin Ctl Command Response Format .....          | 110 |
| Table 260. CDPin Config Command Verb Format .....           | 110 |

# STAC9200

## 2-Channel High Definition Audio Codec

---

|   |     |
|---|-----|
| Table 261. CDPin Config Command Response Format .....       | 110 |
| Table 262. MonoOutMix WCap Command Verb Format .....        | 111 |
| Table 263. MonoOutMix WCap Command Response Format .....    | 111 |
| Table 264. MonoOutMix ConnLen Command Verb Format .....     | 112 |
| Table 265. MonoOutMix ConnLen Command Response Format ..... | 112 |
| Table 266. MonoOutMix ConnLst Command Verb Format .....     | 112 |
| Table 267. MonoOutMix ConnLst Command Response Format ..... | 113 |
| Table 268. PCBeep Vol Command Verb Format .....             | 113 |
| Table 269. PCBeep Vol Command Response Format .....         | 113 |
| Table 270. PCBeep WCap Command Verb Format .....            | 113 |
| Table 271. PCBeep WCap Command Response Format .....        | 114 |
| Table 272. PCBeep OutAmpCap Command Verb Format .....       | 114 |
| Table 273. PCBeep OutAmpCap Command Response Format .....   | 114 |
| Table 274. PCBeep Gen Command Verb Format .....             | 115 |
| Table 275. PCBeep Gen Command Response Format .....         | 115 |

# STAC9200

## 2-Channel High Definition Audio Codec

---

### 1. DESCRIPTION

The STAC9200 is a high quality, 2-channel audio CODEC compatible with the Intel High Definition (HD) Audio Interface (formerly known as "Azalia"). The STAC9200 provides high quality, HD Audio capability to notebook and cost sensitive desktop PC applications. The STAC9200 has been designed as a drop-in replacement for the STAC9772/73 Dual Mode (HD Audio and AC97) 2-channel CODEC once the need to support AC97 is eliminated.

The STAC9200 incorporates TSI's proprietary SD technology to achieve a DAC SNR in excess of 100dB. The higher performance and quality of TSI's audio solutions brings consumer device level performance to the notebook, desktop and media center PCs.

The STAC9200 provides Stereo 24-Bit, full duplex resolution supporting sample rates up to 192 KHz by the DAC and ADC. The STAC9200 DAC, ADC and SPDIF In/Out support sample rates of 96 KHz, 48 KHz and 44.1 KHz. Additionally, the SPDIF Out supports 32 KHz. The CODEC's driver supports additional sample rate options.

The STAC9200 supports all desired two channel configurations, including switchable Headphone Out, and Universal Jacks™ functionality for automatic jack detection sensing and retasking. The SPDIF interface provides connectivity to Consumer Electronic equipment like Dolby Digital decoders, powered speakers, mini disk drives or to a home entertainment system. All analog I/O pairs support LINE\_IN, LINE\_OUT and MIC.

MIC inputs can be programmed with 0/10/20/30/40dB boost. For more advanced configurations, the STAC9200 has four General Purpose I/O (GPIO) pins. The STAC9200 also provides a single ended CD input to avoid DRM incompatibility and to support legacy OS issues.

The STAC9200 integrates a headphone amplifier which is available on Ports A and D. The headphone amplifier is switchable between these two outputs for increased flexibility, enhanced user experience, and reduced implementation costs.

The Universal Jack capabilities allow the CODEC to detect when audio devices are connected to the CODEC, sense the type of device (LINE\_IN, LINE\_OUT, MIC, Headphone) that is inserted, and to allow the CODEC to be reconfigured to support these devices wherever they are plugged into the system. SPDIF input sensing is also supported. The fully parametric TSI SoftEQ can be initiated upon headphone jack insertion and removal for protection of notebook speakers.

The STAC9200 operates with a 3.3V digital supply and is available in either 5V, 4V or 3.3V analog supply. The +4V Analog voltage is supported by the +5V version of the STAC9200 appropriate configuration settings of the driver.

The STAC9200 is available in 48-pin LQFP and 32-pad QFN package options. The 32-pad QFN package can be co-located inside the standard 48-pin footprint allowing systems to be designed to accept either version of the STAC9200 or be compatible with existing 48-pin CODECs. Both the 48-pin LQFP and the 32-pad QFN are available in the ROHS compliant Lead (Pb) free package.

The STAC9200 is supported with TSI's high quality software solutions which include drivers for all major Windows operating systems from Microsoft Parametric SoftEQ, and Digital Rights Management. Third party plugin capability is easily achieved with the TSI Kernel Processing Interface, to support high valued third party technologies like SRS WOW®, Knowles® Microphone Beam forming, Waves MaxxBASS® and more.

# STAC9200

## 2-Channel High Definition Audio Codec

### 2. PERFORMANCE

#### 2.1. Audio Fidelity

|          |       |
|----------|-------|
| DAC SNR: | 100dB |
| ADC SNR: | 90dB  |

#### 2.2. Electrical Specifications

##### 2.2.1. Absolute Maximum Ratings

Stresses above the ratings listed below can cause permanent damage to the STAC9200. These ratings, which are standard values for TSI commercially rated parts, are stress ratings only. Functional operation of the device at these or any other conditions above those indicated in the operational sections of the specifications is not implied. Exposure to absolute maximum rating conditions for extended periods can affect product reliability. Electrical parameters are guaranteed only over the recommended operating temperature range.

| Item                                  | Pin  | Maximum Rating  |
|---------------------------------------|------|---|
| Analog maximum supply voltage         | AVdd | 6 Volts   |
| Digital maximum supply voltage        | DVdd | 5.5 Volts   |
| VREFOUT output current                |      | 5 mA  |
| Voltage on any pin relative to ground |      | Vss - 0.3 V to Vdd + 0.3 V  |
| Operating temperature                 |      | 0°C to +70°C  |
| Storage temperature                   |      | -55 °C to +125 °C   |
| Soldering temperature                 |      | 260 °C for 10 seconds *<br>Soldering temperature information for all available packages begins on page 123. |

##### 2.2.2. Recommended Operation Conditions

| Parameter  |                             | Min.  | Typ. | Max.  | Units |
|--|-----------------------------|-------|------|-------|-------|
| Power Supply Voltage   | Digital - 3.3 V             | 3.135 | 3.3  | 3.465 | V     |
|  | Analog - 3.3 V              | 3.135 | 3.3  | 3.465 | V     |
| (Note: The +4V Analog voltage is supported by the +5V version of the STAC9200) | Analog - 4 V                | 3.8   | 4    | 4.2   | V     |
|  | Analog - 5 V                | 4.75  | 5    | 5.25  | V     |
| Ambient Operating Temperature  |                             | 0     |      | +70   | °C    |
| Case Temperature   | T <sub>case</sub> (48-LQFP) |       |      | +90   | °C    |

**ESD:** The STAC9200 is an ESD (electrostatic discharge) sensitive device. The human body and test equipment can accumulate and discharge electrostatic charges up to 4000 Volts without detection. Even though the STAC9200 implements internal ESD protection circuitry, proper ESD precautions should be followed to avoid damaging the functionality or performance.

## 2.3. Power Consumption

### 2.3.1. Digital

Table 1. Digital Power Consumption

| Power State | Typical | Max | Units |
|-------------|---------|-----|-------|
| D0          | 25      | 29  | mA    |
| D1          | 12      | 16  | mA    |
| D2          | 12      | 16  | mA    |
| D3          | 12      | 16  | mA    |

### 2.3.2. Analog

Table 2. Analog Power Consumption

| Power State | Typical | Max | Units |
|-------------|---------|-----|-------|
| D0          | 36      | 48  | mA    |
| D1          | 26      | 35  | mA    |
| D2          | 26      | 35  | mA    |
| D3          | 26      | 35  | mA    |

# STAC9200

## 2-Channel High Definition Audio Codec

### 2.4. STAC9200 5V Analog Performance Characteristics

( $T_{\text{ambient}} = 25\text{ }^{\circ}\text{C}$ ,  $AV_{\text{dd}} = 5.0\text{V} \pm 5\%$ ,  $DV_{\text{dd}} = 3.3\text{V} \pm 5\%$ ,  $AV_{\text{ss}}=DV_{\text{ss}}=0\text{V}$ ; 1 KHz input sine wave; Sample Frequency = 48 KHz; 0 dB = 1 VRMS, 10 KW/50pF load, Testbench Characterization BW: 20 Hz – 20 KHz, 0 dB settings on all gain stages)

Min and Max performance targets are not included here, as specific system characteristics, such as layout, routing and external CODEC component selection, influence the performance of the CODEC. To receive min/max levels for your system, please send us a unit and TSI will perform a full audio test suite and provide you with the results. Contact TSI for more information.

| Parameter   | Min    | Typ  | Max    | Unit |
|---|--------|------|--------|------|
| <b>Full Scale Input Voltage:</b>                            |        |      |        |      |
| All Analog Inputs with out boost                            | -      | 1.00 | -      | Vrms |
| All Analog Inputs with boost (Note 1)                       | -      | 0.03 | -      | Vrms |
| <b>Full Scale Output:</b>                                   |        |      |        |      |
| PCM (DAC) to All Analog Outputs                             | -      | 1.00 | -      | Vrms |
| HEADPHONE_OUT (32 $\Omega$ load) per channel (peak)         | -      | 50   | -      | mW   |
| <b>Dynamic Range: -60dB signal level (Note 2)</b>           |        |      |        |      |
| PCM to All Analog Outputs                                   | -      | 95   | -      | dB   |
| All Analog Inputs to A/D (1VRMS Input Referenced)           | -      | 85   | -      | dB   |
| Analog Frequency Response (Note 3)                          | 10     | -    | 30,000 | Hz   |
| <b>Total Harmonic Distortion + Noise (-3dB): (Note 4)</b>   |        |      |        |      |
| PCM to All Analog Outputs                                   | -      | -90  | -      | dB   |
| All Analog Inputs to A/D (-3dBV input Level)                | -      | -85  | -      | dB   |
| HEADPHONE_OUT (32 $\Omega$ load)                            | -      | -85  | -      | dB   |
| HEADPHONE_OUT (10 K $\Omega$ load)                          | -      | -88  | -      | dB   |
| <b>SNR (idle channel) (Note 5)</b>                          |        |      |        |      |
| DAC to All Analog Outputs                                   | -      | 100  | -      | dB   |
| All Analog Inputs to A/D with High Pass Filter enabled      | -      | 85   | -      | dB   |
| A/D & D/A Digital Filter Pass Band (Note 6)                 | 20     | -    | 19,200 | Hz   |
| A/D & D/A Digital Filter Transition Band                    | 19,200 | -    | 28,800 | Hz   |
| A/D & D/A Digital Filter Stop Band                          | 28,800 | -    | -      | Hz   |
| A/D & D/A Digital Filter Stop Band Rejcn (Note 7)           | -100   | -    | -      | dB   |
| DAC Out-of-Band Rejection (Note 8)                          | -55    | -    | -      | dB   |
| Group Delay (48 KHz sample rate)                            | -      | -    | 1      | ms   |
| Power Supply Rejection Ratio (1 KHz)                        | -      | -70  | -      | dB   |
| Power Supply Rejection Ratio (20 KHz)                       | -      | -40  | -      | dB   |
| Any Analog Input to DAC (1 KHz Signal Frequency) Crosstalk  | -      | -100 | -      | dB   |
| Any Analog Input to ADC (10 KHz Signal Frequency) Crosstalk | -      | -85  | -      | dB   |
| Any Analog Input to ADC (1 KHz Signal Frequency) Crosstalk  | -      | -80  | -      | dB   |
| Spurious Tone Rejection                                     | -      | -100 | -      | dB   |

# STAC9200

## 2-Channel High Definition Audio Codec

| Parameter                                       | Min | Typ        | Max | Unit              |
|---|-----|------------|-----|-------------------|
| Attenuation, Gain Step Size ANALOG              | -   | 1.5        | -   | dB                |
| Attenuation, Gain Step Size DIGITAL             | -   | 0.75       | -   | dB                |
| Input Impedance                                 | -   | 50         | -   | K $\Omega$        |
| Input Capacitance                               | -   | 15         | -   | pF                |
| VREFout   | -   | 0.5 X AVdd | -   | V                 |
| VREF  | -   | 0.45X AVdd | 0.5 | V                 |
| Interchannel Gain Mismatch ADC                  | -   | -          | 0.5 | dB                |
| Interchannel Gain Mismatch DAC                  | -   | -          | -   | dB                |
| Gain Drift                                      | -   | 100        | -   | ppm/ $^{\circ}$ C |
| DAC Offset Voltage                              | -   | 5          | 10  | mV                |
| Deviation from Linear Phase                     | -   | 10         | 1   | deg.              |
| All Analog Outputs Load Resistance              | -   | 10         | -   | K $\Omega$        |
| All Analog Outputs Load Capacitance             | -   | -          | 50  | pF                |
| HEADPHONE_OUT Load Resistance                   | -   | 32         | -   | $\Omega$          |
| HEADPHONE_OUT Load Capacitance                  | -   | 100        | -   | pF                |
| Mute Attenuation                                | -   | -          | -   | dB                |
| PLL lock time                                   | -   | 96         | 200 | $\mu$ sec         |
| PLL (or Azalia Bit CLK) 24.576 MHz clock jitter | -   | 100        | 300 | psec              |

1. With +30 dB Boost on, 1.00 Vrms with Boost off.
2. Ratio of Full Scale signal to noise output with -60dB signal, measured "A weighted" over a 20 Hz to a 20 KHz bandwidth.
3.  $\pm$  1dB limits for Line Output & 0 dB gain, at -20dBV
4. Ratio of Full Scale signal to THD+N output with -3dB signal, measured "A weighted" over a 20 Hz to a 20 KHz bandwidth. Sample Frequency = 48 KHz.
5. Ratio of Full Scale signal to idle channel noise output is measured "A weighted" over a 20 Hz to a 20 KHz bandwidth. (AES17-1991 Idle Channel Noise or EIAJ CP-307 Signal-to-noise Ratio).
6. Peak-to-Peak Ripple over Passband meets  $\pm$  0.25dB limits, 48 KHz Sample Frequency.
7. Stop Band rejection determines filter requirements. Out-of-Band rejection determines audible noise.
8. The integrated Out-of-Band noise generated by the DAC process, during normal PCM audio playback, over a bandwidth 28.8 to 100 KHz, with respect to a 1 Vrms DAC output.



# STAC9200

## 2-Channel High Definition Audio Codec

### 2.5. STAC9200 4V Analog Performance Characteristics

( $T_{\text{ambient}} = 25\text{ }^{\circ}\text{C}$ ,  $AV_{\text{dd}} = 4.0\text{V} \pm 5\%$ ,  $DV_{\text{dd}} = 3.3\text{V} \pm 5\%$ ,  $AV_{\text{ss}}=DV_{\text{ss}}=0\text{V}$ ; 1 KHz input sine wave; Sample Frequency = 48 KHz; 0 dB = 1 VRMS, 10 KW/50 pF load, Testbench Characterization BW: 20 Hz – 20 KHz, 0 dB settings on all gain stages)

Min and Max performance targets are not included here, as specific system characteristics, such as layout, routing and external CODEC component selection, influence the performance of the CODEC. To receive min/max levels for your system, please send us a unit and TSI will perform a full audio test suite and provide you with the results. Contact TSI for more information.

| Parameter   | Min    | Typ  | Max    | Unit |
|---|--------|------|--------|------|
| <b>Full Scale Input Voltage:</b>                            |        |      |        |      |
| All Analog Inputs with out boost                            | -      | 1.00 | -      | Vrms |
| All Analog Inputs with boost (Note 1)                       | -      | 0.03 | -      | Vrms |
| <b>Full Scale Output:</b>                                   |        |      |        |      |
| PCM (DAC) to All Analog Outputs                             | -      | 1.00 | -      | Vrms |
| HEADPHONE_OUT (32 $\Omega$ load) per channel (peak)         | -      | 50   | -      | mW   |
| <b>Dynamic Range: -60dB signal level (Note 2)</b>           |        |      |        |      |
| PCM to All Analog Outputs                                   | -      | 95   | -      | dB   |
| All Analog Inputs to A/D (1VRMS Input Referenced)           | -      | 85   | -      | dB   |
| Analog Frequency Response (Note 3)                          | 10     | -    | 30,000 | Hz   |
| <b>Total Harmonic Distortion + Noise (-3dB): (Note 4)</b>   |        |      |        |      |
| PCM to All Analog Outputs                                   | -      | -90  | -      | dB   |
| All Analog Inputs to A/D (-3dBV input Level)                | -      | -85  | -      | dB   |
| HEADPHONE_OUT (32 $\Omega$ load)                            | -      | -85  | -      | dB   |
| HEADPHONE_OUT (10 K $\Omega$ load)                          | -      | -88  | -      | dB   |
| <b>SNR (idle channel) (Note 5)</b>                          |        |      |        |      |
| DAC to All Analog Outputs                                   | -      | 100  | -      | dB   |
| All Analog Inputs to A/D with High Pass Filter enabled      | -      | 85   | -      | dB   |
| A/D & D/A Digital Filter Pass Band (Note 6)                 | 20     | -    | 19,200 | Hz   |
| A/D & D/A Digital Filter Transition Band                    | 19,200 | -    | 28,800 | Hz   |
| A/D & D/A Digital Filter Stop Band                          | 28,800 | -    | -      | Hz   |
| A/D & D/A Digital Filter Stop Band Rejcn (Note 7)           | -100   | -    | -      | dB   |
| DAC Out-of-Band Rejection (Note 8)                          | -55    | -    | -      | dB   |
| Group Delay (48 KHz sample rate)                            | -      | -    | 1      | ms   |
| Power Supply Rejection Ratio (1 Hz)                         | -      | -70  | -      | dB   |
| Power Supply Rejection Ratio (20 Hz)                        | -      | -40  | -      | dB   |
| Any Analog Input to ADC (10 KHz Signal Frequency) Crosstalk | -      | -85  | -      | dB   |
| Any Analog Input to ADC (1 KHz Signal Frequency) Crosstalk  | -      | -80  | -      | dB   |
| Spurious Tone Rejection                                     | -      | -100 | -      | dB   |
| Attenuation, Gain Step Size ANALOG                          | -      | 1.5  | -      | dB   |

# STAC9200

## 2-Channel High Definition Audio Codec

| Parameter                                       | Min | Typ        | Max | Unit              |
|---|-----|------------|-----|-------------------|
| Attenuation, Gain Step Size DIGITAL             | -   | 0.75       | -   | dB                |
| Input Impedance                                 | -   | 50         | -   | K $\Omega$        |
| Input Capacitance                               | -   | 15         | -   | pF                |
| VREFout   | -   | 0.5 X AVdd | -   | V                 |
| VREF  | -   | 0.45X AVdd | 0.5 | V                 |
| Interchannel Gain Mismatch ADC                  | -   | -          | 0.5 | dB                |
| Interchannel Gain Mismatch DAC                  | -   | -          | -   | dB                |
| Gain Drift                                      |     | 100        | -   | ppm/ $^{\circ}$ C |
| DAC Offset Voltage                              | -   | 5          | 10  | mV                |
| Deviation from Linear Phase                     | -   | 10         | 1   | deg.              |
| All Analog Outputs Load Resistance              | -   | 10         | -   | K $\Omega$        |
| All Analog Outputs Load Capacitance             | -   | -          | 50  | pF                |
| HEADPHONE_OUT Load Resistance                   | -   | 32         | -   | $\Omega$          |
| HEADPHONE_OUT Load Capacitance                  |     | -100       | -   | pF                |
| Mute Attenuation                                | -   | -          | -   | dB                |
| PLL lock time                                   | -   | 96         | 200 | $\mu$ sec         |
| PLL (or Azalia Bit CLK) 24.576 MHz clock jitter | -   | 100        | 300 | psec              |

1. With +30dB Boost on, 1.00 Vrms with Boost off.
2. Ratio of Full Scale signal to noise output with -60dB signal, measured "A weighted" over a 20 Hz to a 20 KHz bandwidth.
3.  $\pm$  1dB limits for Line Output & 0 dB gain, at -20dBV
4. Ratio of Full Scale signal to THD+N output with -3dB signal, measured "A weighted" over a 20 Hz to a 20 KHz bandwidth. Sample Frequency = 48 KHz.
5. Ratio of Full Scale signal to idle channel noise output is measured "A weighted" over a 20 Hz to a 20 KHz bandwidth. (AES17-1991 Idle Channel Noise or EIAJ CP-307 Signal-to-noise Ratio).
6. Peak-to-Peak Ripple over Passband meets  $\pm$  0.25dB limits, 48 KHz Sample Frequency.
7. Stop Band rejection determines filter requirements. Out-of-Band rejection determines audible noise.
8. The integrated Out-of-Band noise generated by the DAC process, during normal PCM audio playback, over a bandwidth 28.8 to 100 KHz, with respect to a 1 Vrms DAC output.

# STAC9200

## 2-Channel High Definition Audio Codec

### 2.6. STAC9200 3.3V Analog Performance Characteristics

( $T_{\text{ambient}} = 25\text{ }^{\circ}\text{C}$ ,  $AV_{\text{DD}} = 3.3\text{V} \pm 5\%$ ,  $DV_{\text{DD}} = 3.3\text{V} \pm 5\%$ ,  $AV_{\text{SS}}=DV_{\text{SS}}=0\text{V}$ ; 1 KHz input sine wave; Sample Frequency = 48 KHz; 0 dB = 1 VRMS, 10 KW/50 pF load, Testbench Characterization BW: 20 Hz – 20 KHz, 0 dB settings on all gain stages)

Min and Max performance targets are not included here, as specific system characteristics, such as layout, routing and external CODEC component selection, influence the performance of the CODEC. To receive min/max levels for your system, please send us a unit and TSI will perform a full audio test suite and provide you with the results. Contact TSI for more information.

| Parameter   | Min    | Typ  | Max    | Unit |
|---|--------|------|--------|------|
| <b>Full Scale Input Voltage:</b>                            |        |      |        |      |
| All Analog Inputs with out boost                            | -      | 0.7  | -      | Vrms |
| All Analog Inputs with boost (Note 1)                       | -      | 0.03 | -      | Vrms |
| <b>Full Scale Output:</b>                                   |        |      |        |      |
| PCM (DAC) to All Analog Outputs                             | -      | 1.00 | -      | Vrms |
| HEADPHONE_OUT (32 $\Omega$ load) per channel (peak)         | -      | 50   | -      | mW   |
| <b>Dynamic Range: -60dB signal level (Note 2)</b>           |        |      |        |      |
| PCM to All Analog Outputs                                   | -      | 95   | -      | dB   |
| All Analog Inputs to A/D (1VRMS Input Referenced)           | -      | 80   | -      | dB   |
| Analog Frequency Response (Note 3)                          | 10     | -    | 30,000 | Hz   |
| <b>Total Harmonic Distortion + Noise (-3dB): (Note 4)</b>   |        |      |        |      |
| PCM to All Analog Outputs                                   | -      | -90  | -      | dB   |
| All Analog Inputs to A/D (-3dBV input Level)                | -      | -75  | -      | dB   |
| HEADPHONE_OUT (32 $\Omega$ load)                            | -      | -85  | -      | dB   |
| HEADPHONE_OUT (10 K $\Omega$ load)                          | -      | -88  | -      | dB   |
| <b>SNR (idle channel) (Note 5)</b>                          |        |      |        |      |
| DAC to All Analog Outputs                                   | -      | 100  | -      | dB   |
| All Analog Inputs to A/D with High Pass Filter enabled      | -      | 85   | -      | dB   |
| A/D & D/A Digital Filter Pass Band (Note 6)                 | 20     | -    | 19,200 | Hz   |
| A/D & D/A Digital Filter Transition Band                    | 19,200 | -    | 28,800 | Hz   |
| A/D & D/A Digital Filter Stop Band                          | 28,800 | -    | -      | Hz   |
| A/D & D/A Digital Filter Stop Band Rejcn (Note 7)           | -100   | -    | -      | dB   |
| DAC Out-of-Band Rejection (Note 8)                          | -55    | -    | -      | dB   |
| Group Delay (48 KHz sample rate)                            | -      | -    | 1      | ms   |
| Power Supply Rejection Ratio (1 KHz)                        | -      | -70  | -      | dB   |
| Power Supply Rejection Ratio (20 KHz)                       | -      | -40  | -      | dB   |
| Any Analog Input to ADC (10 KHz Signal Frequency) Crosstalk | -      | -85  | -      | dB   |
| Any Analog Input to ADC (1 KHz Signal Frequency) Crosstalk  | -      | -75  | -      | dB   |
| Spurious Tone Rejection                                     | -      | -100 | -      | dB   |
| Attenuation, Gain Step Size ANALOG                          | -      | 1.5  | -      | dB   |

# STAC9200

## 2-Channel High Definition Audio Codec

| Parameter                                       | Min | Typ        | Max | Unit              |
|---|-----|------------|-----|-------------------|
| Attenuation, Gain Step Size DIGITAL             | -   | 0.75       | -   | dB                |
| Input Impedance                                 | -   | 50         | -   | K $\Omega$        |
| Input Capacitance                               | -   | 15         | -   | pF                |
| VREFout   | -   | 0.5 X AVdd | -   | V                 |
| VREF  | -   | 0.45X AVdd | 0.5 | V                 |
| Interchannel Gain Mismatch ADC                  | -   | -          | 0.5 | dB                |
| Interchannel Gain Mismatch DAC                  | -   | -          | -   | dB                |
| Gain Drift                                      |     | 100        | -   | ppm/ $^{\circ}$ C |
| DAC Offset Voltage                              | -   | 5          | 10  | mV                |
| Deviation from Linear Phase                     | -   | 10         | 1   | deg.              |
| All Analog Outputs Load Resistance              | -   | 10         | -   | K $\Omega$        |
| All Analog Outputs Load Capacitance             | -   | -          | 50  | pF                |
| HEADPHONE_OUT Load Resistance                   | -   | 32         | -   | $\Omega$          |
| HEADPHONE_OUT Load Capacitance                  | -   | 100        | -   | pF                |
| Mute Attenuation                                | -   | -          | -   | dB                |
| PLL lock time                                   | -   | 96         | 200 | $\mu$ sec         |
| PLL (or Azalia Bit CLK) 24.576 MHz clock jitter | -   | 100        | 300 | psec              |

1. With +30 dB Boost on, 1.00 Vrms with Boost off.
2. Ratio of Full Scale signal to noise output with -60dB signal, measured "A weighted" over a 20 Hz to a 20 KHz bandwidth.
3.  $\pm$  1dB limits for Line Output & 0 dB gain, at -20dBV
4. Ratio of Full Scale signal to THD+N output with -3dB signal, measured "A weighted" over a 20 Hz to a 20 KHz bandwidth. Sample Frequency = 48 KHz.
5. Ratio of Full Scale signal to idle channel noise output is measured "A weighted" over a 20 Hz to a 20 KHz bandwidth. (AES17-1991 Idle Channel Noise or EIAJ CP-307 Signal-to-noise Ratio).
6. Peak-to-Peak Ripple over Passband meets  $\pm$  0.25dB limits, 48 KHz Sample Frequency.
7. Stop Band rejection determines filter requirements. Out-of-Band rejection determines audible noise.
8. The integrated Out-of-Band noise generated by the DAC process, during normal PCM audio playback, over a bandwidth 28.8 to 100 KHz, with respect to a 1 Vrms DAC output.

### 3. EXTENDED FEATURE EXPLANATION

#### 3.1. SPDIF Input

SPDIF IN can run at 44.1 KHz, 48 KHz and 96 KHz, and has internal Jack Sensing.

A sophisticated digital PLL allows automatic rate detection and accurate data recovery. The ability to directly accept consumer SPDIF voltage levels eliminates the need for costly external receiver ICs. Advanced features such as record slot select and SPDIF\_IN routing to the DAC allows for simultaneous record and play.

#### 3.2. SPDIF Output

SPDIF Output can run at 44.1 KHz, 48 KHz, and 96 KHz at bit rates up to 24 bits, as defined in the Intel High Definition Audio Specification. This insures compatibility with all consumer audio gear and allows for convenient integration into home theater systems and multi-media centers.

#### 3.3. Universal Jacks™

TSI's Universal Jacks™ technology allows for the greatest flexibility in board design and implementation.

For the STAC9200 the Universal Jacks™ capabilities are as follows

- All of the STAC9200 ports support:
  - Line Out
  - Line In
  - Mic with 0/10/20/30/40 dB Mic Boost
- Ports A and D also support
  - Headphone Out<sup>1</sup>

<sup>1</sup>Headphone capabilities are available on pins 39/41 and 35/36, but one should not put headphone loads on both sets of pins at the same time.

*Note: On the STAC9200 only one function can be selected at a time, you cannot have an input and output at the same time on the same set of pins. This function can be changed at any time.*

#### 3.4. Audio Jack Presence Detect

Sense\_A pin is used to detect the presence of plugs in ports A, B, C, and D. Refer to the reference design for port detect circuitry. Select the precision of the resistors used as follows:

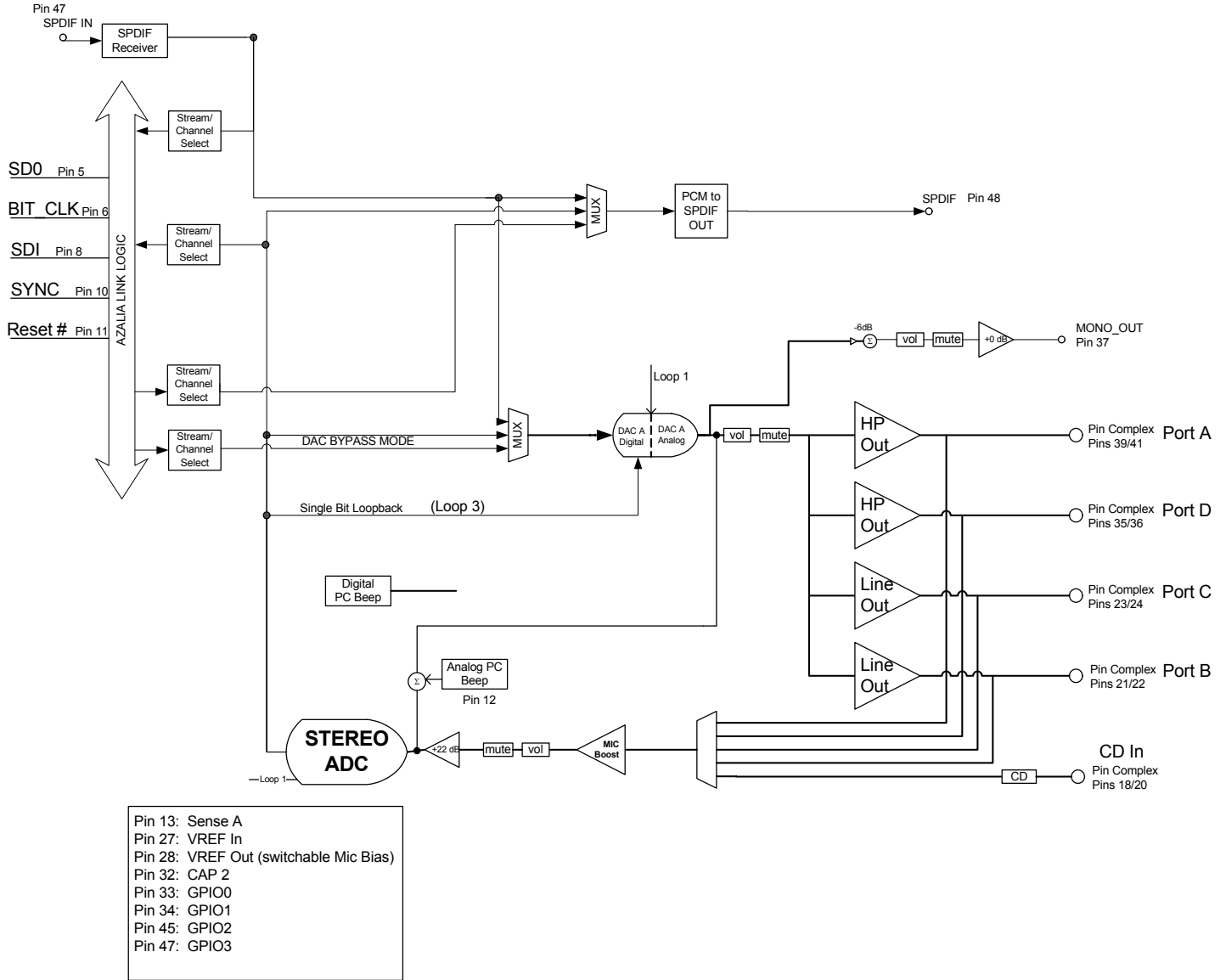
| AVDD Nominal Voltage<br>(+/- 5%) | Resistor Tolerance<br>(If Port D is used) | Resistor Tolerance<br>(If Port D is not used) |
|----------------------------------|---|---|
| 5V                               | 1%  | 1%  |
| 4.5V                             | 1%  | 1%  |
| 4V                               | 0.50%                                     | 1%  |
| 3.3V                             | 0.10%                                     | 1%  |

Includes pull-up resistors on Sense A and series resistors between jack switch and Sense A.

4. BLOCK DIAGRAMS AND TYPICAL HOOKUPS

4.1. Functional Block Diagram

Figure 1. Functional Block Diagram



## **STAC9200**

### **2-Channel High Definition Audio Codec**

---

#### **4.2. STAC9200 Typical Connection Diagram for 48-pin LQFP**

Please see the reference design for this information.

#### **4.3. STAC9200 Split Independent Power Supply for 48-pin LQFP**

Please see the reference design for this information.

#### **4.4. STAC9200 Typical Connection Diagram for 32-pad QFN**

Please see the reference design for this information.

#### **4.5. STAC9200 Split Independent Power Supply for 32-pad QFN**

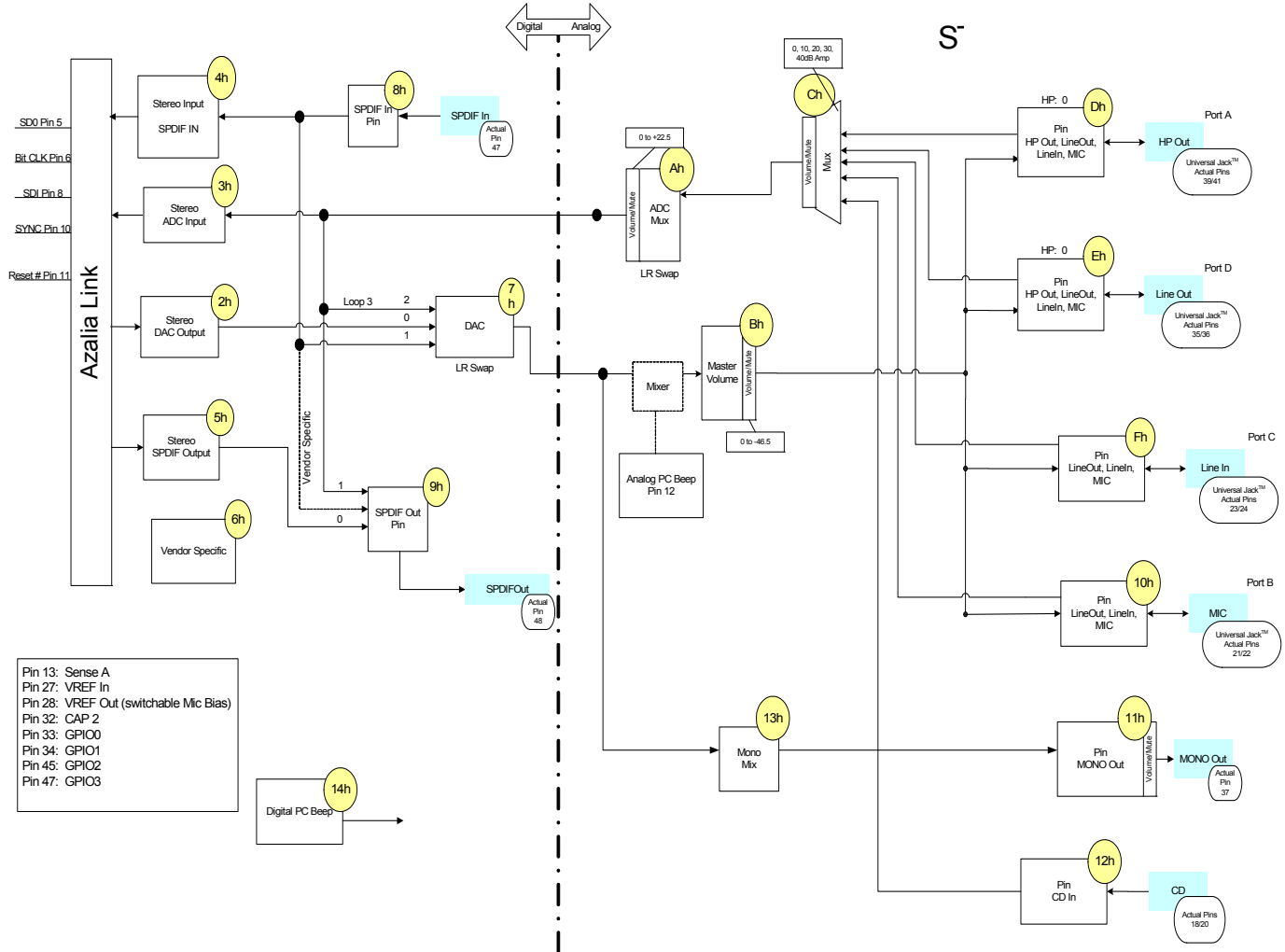
Please see the reference design for this information.



5. WIDGET INFORMATION

5.1. Widget Diagram

Figure 2. Widget Diagram



# STAC9200

## 2-Channel High Definition Audio Codec

### 5.2. STAC9200 Widget List

| ID      | Widget Name          | Description   |
|---------|----------------------|---|
| 1h      | Audio Function Group | Audio Function Group  |
| 2h      | DAC0                 | Stereo Output to DAC  |
| 3h      | ADC0                 | Stereo Input Mux from ADC   |
| 4h      | SPDIF_IN             | Stereo Input for SPDIF_In   |
| 5h      | SPDIF_OUT            | Stereo Output for SPDIF_Out   |
| 6h      | Reserved             | Reserved: Unused  |
| 7h      | DAC0Mux              | Digital Mux for DAC   |
| 8h      | SPDIF-In Pin         | Pin Widget for SPDIF_In Pin 47  |
| 9h      | SPDIF-Out Pin        | Pin Widget for SPDIF_Out Pin 48   |
| 10h     | Mic                  | Mic Pin Widget pins 21/22 (can also act as Line Out and Line In)            |
| 11h     | Mono Out             | Mono Out Volume Controls and Capabilities for pin 37                        |
| 12h     | CD                   | CD Pin Widget pins 18/20  |
| 13h     | Mono Mix             | Combines the Two Stereo Channels into one Mono Signal                       |
| 14h     | Digital PC Beep      | Digital PC Beep   |
| 15h-19h | Reserved             | Reserved: Unused  |
| Ah      | ADC0Mux              | ADC Mux and Volume Control for inputs to ADC                                |
| Bh      | Master Volume        | Master Volume Controls  |
| Ch      | Input Mux            | Input Mux to ADC for Widgets Dh, Eh, Fh, 10h, and 12h                       |
| Dh      | Headphone            | Headphone Pin Widget pins 39/41 (can also act as Line In, Line Out ,or Mic) |
| Eh      | Line Out             | Line Out Pin Widget pins 35/36 (can also act as HP, Line In, or Mic)        |
| Fh      | Line In              | Line In Pin Widget pins 23/24 (can also act as Mic or Line Out)             |

**Table 3. High Definition Audio Widget**

*Note: All widgets in this document are applicable to the STAC9200 B1 Revision. For widgets pertaining to the STAC9200 A1 Revision, see STAC9200 Datasheet Revision 0.8.*

5.3. Root Node (NID = 0x00)

5.3.1. Root PnpID

Table 4. Root PnpID Command Verb Format

|     | Verb ID | Payload | Response           |
|-----|---------|---------|--------------------|
| Get | F00     | 00      | See bitfield table |

Table 5. Root PnpID Command Response Format

| Bit      | Bitfield Name | RW | Reset  | Description                 |
|----------|---------------|----|--------|-----------------------------|
| [31.:16] | Vendor        | R  | 0x8384 | Vendor ID STAC9200 = 8384h  |
| [15.:0]  | Device        | R  | 0x7690 | Device ID: STAC9200 = 7690h |

5.3.2. Root RevID

Table 6. Root RevID Command Verb Format

|     | Verb ID | Payload | Response           |
|-----|---------|---------|--------------------|
| Get | F00     | 02      | See bitfield table |

Table 7. Root RevID Command Response Format

| Bit      | Bitfield Name | RW | Reset | Description   |
|----------|---------------|----|-------|---|
| [31.:24] | Rsvd          | R  | 0x00  | Reserved  |
| [23.:20] | Major         | R  | 0x1   | Major rev number of compliant Azalia spec.                              |
| [19.:16] | Minor         | R  | 0x0   | Minor rev number of compliant Azalia spec.                              |
| [15.:8]  | Vendor        | R  | 0x22  | Vendor rev number for this device ID:<br>STAC9200 = xxh                 |
| [7.:0]   | Stepping      | R  | 0x01  | Vendor stepping number within the given<br>Vendor RevID: STAC9200 = xxh |

5.3.3. Root NodeInfo

Table 8. Root NodeInfo Command Verb Format

|     | Verb ID | Payload | Response           |
|-----|---------|---------|--------------------|
| Get | F00     | 04      | See bitfield table |

Table 9. Root NodeInfo Command Response Format

| Bit      | Bitfield Name | RW | Reset | Description  |
|----------|---------------|----|-------|--|
| [31.:24] | Rsvd2         | R  | 0x00  | Reserved   |
| [23.:16] | StartNID      | R  | 0x01  | Starting node number (NID) of first function group |
| [15.:8]  | Rsvd1         | R  | 0x00  | Reserved   |
| [7.:0]   | TotalNodes    | R  | 0x01  | Total number of nodes                              |

5.4. AFG Node (NID = 0x01)

5.4.1. AFG Reset

Table 10. AFG Reset Command Verb Format

|      | Verb ID | Payload                          | Response           |
|------|---------|----------------------------------|--------------------|
| Get  | 7FF     | 00                               | See bitfield table |
| Set1 | 7FF     | See bits [7:0] of bitfield table | 0000_0000h         |

Table 11. AFG Reset Command Response Format

| Bit     | Bitfield Name | RW | Reset | Description   |
|---------|---------------|----|-------|---|
| [31.:0] | Response      | R  | 0x0   | Reserved. Overlaps Execute.   |
| [0]     | Execute       | W  | 0x0   | Function Reset. Function Group reset is executed when the Set verb 7FF is written with 8-bit payload of 00h. The CODEC should issue a response to acknowledge receipt of the verb, and then reset the affected Function Group and all associated widgets to their power-on reset values. Some controls such as Configuration Default controls should not be reset. Overlaps Response. |

5.4.2. AFG NodeInfo

Table 12. AFG NodeInfo Command Verb Format

|     | Verb ID | Payload | Response           |
|-----|---------|---------|--------------------|
| Get | F00     | 04      | See bitfield table |

Table 13. AFG NodeInfo Command Response Format

| Bit      | Bitfield Name | RW | Reset | Description  |
|----------|---------------|----|-------|--|
| [31.:24] | Rsvd2         | R  | 0x0   | Reserved   |
| [23.:16] | StartNID      | R  | 0x02  | Starting node number for function group subordinate nodes. |
| [15.:8]  | Rsvd1         | R  | 0x0   | Reserved   |
| [7.:0]   | TotalNodes    | R  | 0x13  | Total number of nodes.                                     |

5.4.3. AFG Type

Table 14. AFG Type Command Verb Format

|     | Verb ID | Payload | Response           |
|-----|---------|---------|--------------------|
| Get | F00     | 05      | See bitfield table |

Table 15. AFG Type Command Response Format

| Bit     | Bitfield Name | RW | Reset | Description   |
|---------|---------------|----|-------|---|
| [31.:9] | Rsvd          | R  | 0x0   | Reserved  |
| [8]     | Unsol         | R  | 0x1   | This node is capable of generating an unsolicited response, and will respond to the Unsolicited Response verb (Verb ID 708h). |
| [7.:0]  | NodeType      | R  | 0x01  | Node type = Audio Function Group  |

5.4.4. AFG GrpCap

Table 16. AFG GrpCap Command Verb Format

|     | Verb ID | Payload | Response           |
|-----|---------|---------|--------------------|
| Get | F00     | 08      | See bitfield table |

Table 17. AFG GrpCap Command Response Format

| Bit      | Bitfield Name | RW | Reset | Description  |
|----------|---------------|----|-------|--|
| [31.:17] | Rsvd3         | R  | 0x0   | Reserved   |
| [16]     | BeepGen       | R  | 0x1   | Optional Beep Generator is present   |
| [15.:12] | Rsvd2         | R  | 0x0   | Reserved   |
| [11.:8]  | InputDelay    | R  | 0xD   | Typical latency = 13 frames. Number of samples between when the sample is received as an analog signal at the pin and when the digital representation is transmitted on the Azalia link. |
| [7.:4]   | Rsvd1         | R  | 0x0   | Reserved   |
| [3.:0]   | OutputDelay   | R  | 0xD   | Typical latency = 13 frames. Number of samples between when the signal is received from the Azalia link and when it appears as an analog signal at the pin.                              |

5.4.5. AFG FrmtCap

Table 18. AFG FrmtCap Command Verb Format

|     | Verb ID | Payload | Response           |
|-----|---------|---------|--------------------|
| Get | F00     | 0A      | See bitfield table |

Table 19. AFG FrmtCap Command Response Format

| Bit      | Bitfield Name | RW | Reset | Description                            |
|----------|---------------|----|-------|--|
| [31.:21] | Rsvd2         | R  | 0x0   | Reserved                               |
| [20]     | B32           | R  | 0x0   | 32 bit audio formats are NOT supported |
| [19]     | B24           | R  | 0x1   | 24 bit audio formats are supported     |
| [18]     | B20           | R  | 0x1   | 20 bit audio formats are supported     |

**Table 19. AFG FrmtCap Command Response Format**

| Bit      | Bitfield Name | RW | Reset | Description                                  |
|----------|---------------|----|-------|--|
| [17]     | B16           | R  | 0x1   | 16 bit audio formats are supported           |
| [16]     | B8            | R  | 0x0   | 8 bit audio formats are NOT supported        |
| [15.:12] | Rsvd1         | R  | 0x0   | Reserved                                     |
| [11]     | R12           | R  | 0x0   | 384 KHz rate (8/1*48 KHz) NOT supported      |
| [10]     | R11           | R  | 0x1   | 192.0 KHz rate (4/1*48 KHz) supported        |
| [9]      | R10           | R  | 0x1   | 176.4 KHz rate (4/1*44.1 KHz) supported      |
| [8]      | R9            | R  | 0x1   | 96.0 KHz rate (2/1*48 KHz) supported         |
| [7]      | R8            | R  | 0x1   | 88.2KHz rate (2/1*44.1KHz) supported         |
| [6]      | R7            | R  | 0x1   | 48.0 KHz rate supported (REQUIRED)           |
| [5]      | R6            | R  | 0x1   | 44.1 KHz rate supported                      |
| [4]      | R5            | R  | 0x0   | 32.0 KHz rate (2/3*48 KHz) NOT supported     |
| [3]      | R4            | R  | 0x0   | 22.05 KHz rate (1/2*44.1 KHz) NOT supported  |
| [2]      | R3            | R  | 0x0   | 16.0 KHz rate (1/3*48 KHz) NOT supported     |
| [1]      | R2            | R  | 0x0   | 11.025 KHz rate (1/4*44.0 KHz) NOT supported |
| [0]      | R1            | R  | 0x0   | 8.0 KHz rate (1/6*48 KHz) NOT supported      |

**5.4.6. AFG StreamCap**

**Table 20. AFG StreamCap Command Verb Format**

|            | Verb ID | Payload | Response           |
|------------|---------|---------|--------------------|
| <b>Get</b> | F00     | 0B      | See bitfield table |

**Table 21. AFG StreamCap Command Response Format**

| Bit     | Bitfield Name | RW | Reset | Description                        |
|---------|---------------|----|-------|------------------------------------|
| [31.:3] | Rsvd          | R  | 0x0   | Reserved                           |
| [2]     | NonPCM        | R  | 0x0   | No support for non-PCM (AC3) data. |



Table 21. AFG StreamCap Command Response Format

| Bit | Bitfield Name | RW | Reset | Description  |
|-----|---------------|----|-------|--|
| [1] | Float32       | R  | 0x0   | No support for single-precision floating-point data. |
| [0] | PCM           | R  | 0x1   | PCM-formatted data supported.                        |

5.4.7. AFG PwrCap

Table 22. AFG PwrCap Command Verb Format

|     | Verb ID | Payload | Response           |
|-----|---------|---------|--------------------|
| Get | F00     | 0F      | See bitfield table |

Table 23. AFG PwrCap Command Response Format

| Bit     | Bitfield Name | RW | Reset | Description   |
|---------|---------------|----|-------|---|
| [31.:4] | Rsvd          | R  | 0x0   | Reserved  |
| [3]     | D3            | R  | 0x1   | Power State D3 is supported. Allows for lowest possible power consuming state under software control (and still properly respond to a subsequent Power State command).                                    |
| [2]     | D2            | R  | 0x1   | Power State D2 is supported. Allows for lowest possible power consuming state from which it can return to fully on state within 10 ms.  |
| [1]     | D1            | R  | 0x1   | Power State D1 is supported. Allows for lowest possible power consuming state from which it can return to fully on state within 10 ms, excepting analog pass-through circuits which must remain fully on. |
| [0]     | D0            | R  | 0x1   | Power State D0 is supported. Node power state is fully on.  |

5.4.8. AFG GPIOCap

Table 24. AFG GPIOCap Command Verb Format

|     | Verb ID | Payload | Response           |
|-----|---------|---------|--------------------|
| Get | F00     | 11      | See bitfield table |

Table 25. AFG GPIOCap Command Response Format

| Bit      | Bitfield Name | RW | Reset | Description   |
|----------|---------------|----|-------|---|
| [31]     | GPIWake       | R  | 0x1   | Wake capability. Assuming the Wake Enable Mask controls are enabled, GPIOs configured as inputs can cause a wake (generate a Status Change event on the link) when there is a change in level on the pin.           |
| [30]     | GPIUnsol      | R  | 0x1   | Unsolicited Response capability. Assuming the Unsolicited Enable Mask controls are enabled, GPIOs configured as inputs can generate an Unsolicited Response on the link when there is a change in level on the pin. |
| [29.:24] | Rsvd          | R  | 0x0   | Reserved  |
| [23.:16] | NumGPIs       | R  | 0x00  | Number of GPI pins supported  |
| [15.:8]  | NumGPOs       | R  | 0x00  | Number of GPO pins supported  |
| [7.:0]   | NumGPIOs      | R  | 0x04  | Number of GPIO pins supported   |

5.4.9. AFG OutAmpCap

Table 26. AFG OutAmpCap Command Verb Format

|     | Verb ID | Payload | Response           |
|-----|---------|---------|--------------------|
| Get | F00     | 12      | See bitfield table |

Table 27. AFG OutAmpCap Command Response Format

| Bit      | Bitfield Name | RW | Reset | Description                                 |
|----------|---------------|----|-------|---|
| [31]     | Mute          | R  | 0x1   | Amplifier is capable of muting              |
| [30.:23] | Rsvd3         | R  | 0x0   | Reserved                                    |
| [22.:16] | StepSize      | R  | 0x05  | Size of each step in the gain range = 1.5dB |
| [15]     | Rsvd2         | R  | 0x0   | Reserved                                    |

# STAC9200

## 2-Channel High Definition Audio Codec

**Table 27. AFG OutAmpCap Command Response Format**

| Bit     | Bitfield Name | RW | Reset | Description  |
|---------|---------------|----|-------|--|
| [14.:8] | NumSteps      | R  | 0x1F  | Number of steps in the gain range = 32 (-46.5dB to +0dB) |
| [7]     | Rsvd1         | R  | 0x0   | Reserved   |
| [6.:0]  | Offset        | R  | 0x1F  | 0dB-step is programmed with this offset                  |

### 5.4.10. AFG PwrState

**Table 28. AFG PwrState Command Verb Format**

|             | Verb ID | Payload                          | Response           |
|-------------|---------|----------------------------------|--------------------|
| <b>Get</b>  | F05     | 00                               | See bitfield table |
| <b>Set1</b> | 705     | See bits [7:0] of bitfield table | 0000_0000h         |

**Table 29. AFG PwrState Command Response Format**

| Bit     | Bitfield Name | RW | Reset | Description  |
|---------|---------------|----|-------|--|
| [31.:8] | Rsvd2         | R  | 0x0   | Reserved   |
| [7.:4]  | Act           | R  | 0x2   | PS-Act: Actual power state of referenced node.   |
| [3.:2]  | Rsvd1         | R  | 0x0   | Reserved   |
| [1.:0]  | Set           | RW | 0x2   | PS-Set: Current power setting of referenced node.<br>0: All Powered-On<br>1: D1 => PR0, PR1<br>2: D2 => PR0, PR1, PR2, PR6, EAPD<br>3: D3 => PR6, PR5, PR3, PR2, PR1, PR0, EAPD<br>Note: PR4 is not mapped in Azalia |

5.4.11. AFG UnsolResp

Table 30. AFG UnsolResp Command Verb Format

|      | Verb ID | Payload                          | Response           |
|------|---------|----------------------------------|--------------------|
| Get  | F08     | 00                               | See bitfield table |
| Set1 | 708     | See bits [7:0] of bitfield table | 0000_0000h         |

Table 31. AFG UnsolResp Command Response Format

| Bit     | Bitfield Name | RW | Reset | Description  |
|---------|---------------|----|-------|--|
| [31..8] | Rsvd2         | R  | 0x0   | Reserved   |
| [7]     | En            | RW | 0x0   | Allow generation of Unsolicited Responses.   |
| [6]     | Rsvd1         | R  | 0x0   | Reserved   |
| [5..0]  | Tag           | RW | 0x0   | Software programmable field returned in top six bits (31:26) of every Unsolicited Response generated by this node. |

5.4.12. AFG GPIO

Table 32. AFG GPIO Command Verb Format

|      | Verb ID | Payload                          | Response           |
|------|---------|----------------------------------|--------------------|
| Get  | F15     | 00                               | See bitfield table |
| Set1 | 715     | See bits [7:0] of bitfield table | 0000_0000h         |

Table 33. AFG GPIO Command Response Format

| Bit     | Bitfield Name | RW | Reset | Description  |
|---------|---------------|----|-------|--|
| [31..4] | Rsvd          | R  | 0x0   | Reserved   |
| [3]     | Data3         | RW | 0x0   | Data for GPIO3 (Pin 47/EAPD). If this GPIO bit is configured as Sticky (edge-sensitive) input, it can be cleared by writing zero (one) here when the corresponding Polarity Control bit is zero (one). |
| [2]     | Data2         | RW | 0x0   | Data for GPIO2 (Pin 45). If this GPIO bit is configured as Sticky (edge-sensitive) input, it can be cleared by writing zero (one) here when the corresponding Polarity Control bit is zero (one).      |

Table 33. AFG GPIO Command Response Format

| Bit | Bitfield Name | RW | Reset | Description   |
|-----|---------------|----|-------|---|
| [1] | Data1         | RW | 0x0   | Data for GPIO1 (Pin 34). If this GPIO bit is configured as Sticky (edge-sensitive) input, it can be cleared by writing zero (one) here when the corresponding Polarity Control bit is zero (one). |
| [0] | Data0         | RW | 0x0   | Data for GPIO0 (Pin 33). If this GPIO bit is configured as Sticky (edge-sensitive) input, it can be cleared by writing zero (one) here when the corresponding Polarity Control bit is zero (one). |

5.4.13. AFG GPIOEn

Table 34. AFG GPIOEn Command Verb Format

|      | Verb ID | Payload                          | Response           |
|------|---------|----------------------------------|--------------------|
| Get  | F16     | 00                               | See bitfield table |
| Set1 | 716     | See bits [7:0] of bitfield table | 0000_0000h         |

Table 35. AFG GPIOEn Command Response Format

| Bit     | Bitfield Name | RW | Reset | Description   |
|---------|---------------|----|-------|---|
| [31.:4] | Rsvd          | R  | 0x0   | Reserved  |
| [3]     | Mask3         | RW | 0x0   | Enable for GPIO3:<br>0= pin is disabled (Hi-Z state);<br>1= pin is enabled; behavior determined by GPIO Direction control |
| [2]     | Mask2         | RW | 0x0   | Enable for GPIO2:<br>0= pin is disabled (Hi-Z state);<br>1= pin is enabled; behavior determined by GPIO Direction control |
| [1]     | Mask1         | RW | 0x0   | Enable for GPIO1:<br>0= pin is disabled (Hi-Z state);<br>1= pin is enabled; behavior determined by GPIO Direction control |
| [0]     | Mask0         | RW | 0x0   | Enable for GPIO0:<br>0= pin is disabled (Hi-Z state);<br>1= pin is enabled; behavior determined by GPIO Direction control |

**5.4.14. AFG GPIODir**

**Table 36. AFG GPIODir Command Verb Format**

|             | <b>Verb ID</b> | <b>Payload</b>                   | <b>Response</b>    |
|-------------|----------------|----------------------------------|--------------------|
| <b>Get</b>  | F17            | 00                               | See bitfield table |
| <b>Set1</b> | 717            | See bits [7:0] of bitfield table | 0000_0000h         |

**Table 37. AFG GPIODir Command Response Format**

| <b>Bit</b> | <b>Bitfield Name</b> | <b>RW</b> | <b>Reset</b> | <b>Description</b>   |
|------------|----------------------|-----------|--------------|--|
| [31.:4]    | Rsvd                 | R         | 0x0          | Reserved   |
| [3]        | Control3             | RW        | 0x0          | Direction control for GPIO3<br>0= GPIO signal is configured as input<br>1= GPIO signal is configured as output |
| [2]        | Control2             | RW        | 0x0          | Direction control for GPIO2<br>0= GPIO signal is configured as input<br>1= GPIO signal is configured as output |
| [1]        | Control1             | RW        | 0x0          | Direction control for GPIO1<br>0= GPIO signal is configured as input<br>1= GPIO signal is configured as output |
| [0]        | Control0             | RW        | 0x0          | Direction control for GPIO0<br>0= GPIO signal is configured as input<br>1= GPIO signal is configured as output |

5.4.15. AFG GPIOWake

Table 38. AFG GPIOWake Command Verb Format

|      | Verb ID | Payload                          | Response           |
|------|---------|----------------------------------|--------------------|
| Get  | F18     | 00                               | See bitfield table |
| Set1 | 718     | See bits [7:0] of bitfield table | 0000_0000h         |

Table 39. AFG GPIOWake Command Response Format

| Bit     | Bitfield Name | RW | Reset | Description   |
|---------|---------------|----|-------|---|
| [31.:4] | Rsvd          | R  | 0x0   | Reserved  |
| [3]     | En3           | RW | 0x0   | Wake enable for GPIO3:<br>0 = wake-up event is disabled;<br>1= when Azalia link is powered down (RST# is asserted), a wake-up event will trigger a Status Change Request event on the link. |
| [2]     | En2           | RW | 0x0   | Wake enable for GPIO2:<br>0 = wake-up event is disabled;<br>1= when Azalia link is powered down (RST# is asserted), a wake-up event will trigger a Status Change Request event on the link. |
| [1]     | En1           | RW | 0x0   | Wake enable for GPIO1:<br>0 = wake-up event is disabled;<br>1= when Azalia link is powered down (RST# is asserted), a wake-up event will trigger a Status Change Request event on the link. |
| [0]     | En0           | RW | 0x0   | Wake enable for GPIO0:<br>0 = wake-up event is disabled;<br>1= when Azalia link is powered down (RST# is asserted), a wake-up event will trigger a Status Change Request event on the link. |

5.4.16. AFG GPIOUnsolEn

Table 40. AFG GPIOUnsolEn Command Verb Format

|      | Verb ID | Payload                          | Response           |
|------|---------|----------------------------------|--------------------|
| Get  | F19     | 00                               | See bitfield table |
| Set1 | 719     | See bits [7:0] of bitfield table | 0000_0000h         |

Table 41. AFG GPIOUnsolEn Command Response Format

| Bit     | Bitfield Name | RW | Reset | Description   |
|---------|---------------|----|-------|---|
| [31..4] | Rsvd          | R  | 0x0   | Reserved  |
| [3]     | Mask3         | RW | 0x0   | Unsolicited enable mask for GPIO3. If set, and the Unsolicited Response control for this widget has been enabled, an unsolicited response will be sent when GPIO3 is configured as input and changes state. |
| [2]     | Mask2         | RW | 0x0   | Unsolicited enable mask for GPIO2. If set, and the Unsolicited Response control for this widget has been enabled, an unsolicited response will be sent when GPIO2 is configured as input and changes state. |
| [1]     | Mask1         | RW | 0x0   | Unsolicited enable mask for GPIO1. If set, and the Unsolicited Response control for this widget has been enabled, an unsolicited response will be sent when GPIO1 is configured as input and changes state. |
| [0]     | Mask0         | RW | 0x0   | Unsolicited enable mask for GPIO0. If set, and the Unsolicited Response control for this widget has been enabled, an unsolicited response will be sent when GPIO0 is configured as input and changes state. |



5.4.17. AFG GPIOSticky

Table 42. AFG GPIOSticky Command Verb Format

|      | Verb ID | Payload                          | Response           |
|------|---------|----------------------------------|--------------------|
| Get  | F1A     | 00                               | See bitfield table |
| Set1 | 71A     | See bits [7:0] of bitfield table | 0000_0000h         |

Table 43. AFG GPIOSticky Command Response Format

| Bit     | Bitfield Name | RW | Reset | Description   |
|---------|---------------|----|-------|---|
| [31.:4] | Rsvd          | R  | 0x0   | Reserved  |
| [3]     | Mask3         | RW | 0x0   | GPIO3 input type (when configured as input):<br>0= Non-Sticky (level-sensitive);<br>1= Sticky (edge-sensitive).<br>Sticky inputs are cleared by writing zero to corresponding bit of GPIO Data register.<br>GPIOPolarity determines rising or falling edge sensitivity. |
| [2]     | Mask2         | RW | 0x0   | GPIO2 input type (when configured as input):<br>0= Non-Sticky (level-sensitive);<br>1= Sticky (edge-sensitive).<br>Sticky inputs are cleared by writing zero to corresponding bit of GPIO Data register.<br>GPIOPolarity determines rising or falling edge sensitivity. |
| [1]     | Mask1         | RW | 0x0   | GPIO1 input type (when configured as input):<br>0= Non-Sticky (level-sensitive);<br>1= Sticky (edge-sensitive).<br>Sticky inputs are cleared by writing zero to corresponding bit of GPIO Data register.<br>GPIOPolarity determines rising or falling edge sensitivity. |
| [0]     | Mask0         | RW | 0x0   | GPIO0 input type (when configured as input):<br>0= Non-Sticky (level-sensitive);<br>1= Sticky (edge-sensitive).<br>Sticky inputs are cleared by writing zero to corresponding bit of GPIO Data register.<br>GPIOPolarity determines rising or falling edge sensitivity. |

5.4.18. AFG SysID

Table 44. AFG SysID Command Verb Format

|      | Verb ID | Payload                            | Response           |
|------|---------|------------------------------------|--------------------|
| Get  | F20     | 00                                 | See bitfield table |
| Set1 | 720     | See bits [7:0] of bitfield table   | 0000_0000h         |
| Set2 | 721     | See bits [15:8] of bitfield table  | 0000_0000h         |
| Set3 | 722     | See bits [23:16] of bitfield table | 0000_0000h         |
| Set4 | 723     | See bits [31:24] of bitfield table | 0000_0000h         |

Table 45. AFG SysID Command Response Format

| Bit      | Bitfield Name | RW | Reset | Description                                    |
|----------|---------------|----|-------|--|
| [31.:24] | Subsystem3    | RW | 0x00  | Subsystem ID. (Any non-zero value)             |
| [23.:16] | Subsystem2    | RW | 0x00  |  |
| [15.:8]  | Subsystem1    | RW | 0x01  |  |
| [7.:0]   | Assembly      | RW | 0x00  | Assembly ID. (Not applicable to CODEC vendors) |

5.5. DAC0Cnvtr Node (NID = 0x02)

5.5.1. DAC0Cnvtr Frmt

Table 46. DAC0Cnvtr Frmt Command Verb Format

|      | Verb ID | Payload                           | Response           |
|------|---------|-----------------------------------|--------------------|
| Get  | A       | 0000                              | See bitfield table |
| Set1 | 2       | See bits [15:0] of bitfield table | 0000_0000h         |

Table 47. DAC0Cnvtr Frmt Command Response Format

| Bit      | Bitfield Name | RW | Reset | Description   |
|----------|---------------|----|-------|---|
| [31.:16] | Rsvd2         | R  | 0x0   | Reserved  |
| [15]     | StrmType      | R  | 0x0   | Stream Type: only PCM streams are supported by this widget. |

# STAC9200

## 2-Channel High Definition Audio Codec

Table 47. DAC0Cnvtr Frmt Command Response Format

| Bit      | Bitfield Name | RW | Reset | Description  |
|----------|---------------|----|-------|--|
| [14]     | RateBase      | RW | 0x0   | Sample Base Rate<br>0= 48 KHz<br>1= 44.1 KHz   |
| [13.:11] | RateMult      | RW | 0x0   | Sample Base Rate Multiple<br>000= 48 KHz / 44.1 KHz or less<br>001= x2<br>010= Reserved (x3)<br>011= x4<br>100-111= Reserved   |
| [10.:8]  | RateDiv       | RW | 0x0   | Sample Base Rate Divisor<br>000= Divide by 1<br>001= Divide by 2<br>010= Divide by 3<br>011= Divide by 4<br>100= Divide by 5<br>101= Divide by 6<br>110= Divide by 7<br>111= Divide by 8 |
| [7]      | Rsvd1         | R  | 0x0   | Reserved   |
| [6.:4]   | NumBits       | RW | 0x3   | Bits per Sample<br>000= 8 bits<br>001= 16 bits<br>010= 20 bits<br>011= 24 bits<br>100-111= Reserved  |
| [3.:0]   | NumChan       | RW | 0x1   | Number of Channels in each frame of the stream.<br>0000= 1 channel<br>0001 = 2 channels<br>...<br>1111= 16 channels  |

5.5.2. DAC0Cnvtr WCap

Table 48. DAC0Cnvtr WCap Command Verb Format

|     | Verb ID | Payload | Response           |
|-----|---------|---------|--------------------|
| Get | F00     | 09      | See bitfield table |

Table 49. DAC0Cnvtr WCap Command Response Format

| Bit      | Bitfield Name | RW | Reset | Description  |
|----------|---------------|----|-------|--|
| [31.:24] | Rsvd2         | R  | 0x0   | Reserved   |
| [23.:20] | Type          | R  | 0x0   | Widget type = Audio Output   |
| [19.:16] | Delay         | R  | 0xD   | Number of sample delays through widget   |
| [15.:12] | Rsvd1         | R  | 0x0   | Reserved   |
| [11]     | SwapCap       | R  | 0x0   | No left/right channel swap capability  |
| [10]     | PwrCntrl      | R  | 0x1   | Power State control is supported   |
| [9]      | DigitalStrm   | R  | 0x0   | Widget supports an Analog stream   |
| [8]      | ConnList      | R  | 0x0   | No connection list is present  |
| [7]      | UnsolCap      | R  | 0x0   | No support for Unsolicited Response  |
| [6]      | ProcWidget    | R  | 0x0   | No Processing Controls parameter   |
| [5]      | Stripe        | R  | 0x0   | No support for striping  |
| [4]      | FormatOvrd    | R  | 0x0   | No format info; use default format parameters from Audio Function node instead       |
| [3]      | AmpParamOvrd  | R  | 0x0   | No amplifier info; use default amplifier parameters from Audio Function node instead |
| [2]      | OutAmpPrsnt   | R  | 0x0   | No output amp  |
| [1]      | InAmpPrsnt    | R  | 0x0   | No input amp   |
| [0]      | Stereo        | R  | 0x1   | Stereo widget  |

5.5.3. *DAC0Cnvtr PwrState*

Table 50. DAC0Cnvtr PwrState Command Verb Format

|             | Verb ID | Payload                          | Response           |
|-------------|---------|----------------------------------|--------------------|
| <b>Get</b>  | F05     | 00                               | See bitfield table |
| <b>Set1</b> | 705     | See bits [7:0] of bitfield table | 0000_0000h         |

Table 51. DAC0Cnvtr PwrState Command Response Format

| Bit     | Bitfield Name | RW | Reset | Description   |
|---------|---------------|----|-------|---|
| [31.:8] | Rsvd2         | R  | 0x0   | Reserved  |
| [7.:4]  | Act           | R  | 0x3   | PS-Act: Actual power state of referenced node.  |
| [3.:2]  | Rsvd1         | R  | 0x0   | Reserved  |
| [1.:0]  | Set           | RW | 0x3   | PS-Set: Current power setting of referenced node.<br>00 - Fully on.<br>01 - Fully on.<br>10 - Fully on.<br>11 - Powered down. |

5.5.4. *DAC0Cnvtr Stream*

Table 52. DAC0Cnvtr Stream Command Verb Format

|             | Verb ID | Payload                          | Response           |
|-------------|---------|----------------------------------|--------------------|
| <b>Get</b>  | F06     | 00                               | See bitfield table |
| <b>Set1</b> | 706     | See bits [7:0] of bitfield table | 0000_0000h         |

Table 53. DAC0Cnvtr Stream Command Response Format

| Bit     | Bitfield Name | RW | Reset | Description   |
|---------|---------------|----|-------|---|
| [31.:8] | Rsvd          | R  | 0x0   | Reserved  |
| [7.:4]  | ID            | RW | 0x0   | Software-programmable integer representing link stream ID used by the converter widget. By convention stream 0 is reserved as unused. |
| [3.:0]  | Ch            | RW | 0x0   | Integer representing lowest channel used by converter.  |

5.6. ADC0Cnvtr Node (NID = 0x03)

5.6.1. ADC0Cnvtr Frmt

Table 54. ADC0Cnvtr Frmt Command Verb Format

|      | Verb ID | Payload                           | Response           |
|------|---------|-----------------------------------|--------------------|
| Get  | A       | 0000                              | See bitfield table |
| Set1 | 2       | See bits [15:0] of bitfield table | 0000_0000h         |

Table 55. ADC0Cnvtr Frmt Command Response Format

| Bit      | Bitfield Name | RW | Reset | Description  |
|----------|---------------|----|-------|--|
| [31.:16] | Rsvd2         | R  | 0x0   | Reserved   |
| [15]     | StrmType      | RW | 0x0   | Stream Type<br>0= PCM<br>1= Non-PCM<br>(remaining bits in this verb have other meanings)   |
| [14]     | RateBase      | RW | 0x0   | Sample Base Rate<br>0= 48 KHz<br>1= 44.1 KHz   |
| [13.:11] | RateMult      | RW | 0x0   | Sample Base Rate Multiple<br>000= 48 KHz / 44.1 KHz or less<br>001= x2<br>010= Reserved (x3)<br>011= x4<br>100-111= Reserved   |
| [10.:8]  | RateDiv       | RW | 0x0   | Sample Base Rate Divisor<br>000= Divide by 1<br>001= Divide by 2<br>010= Divide by 3<br>011= Divide by 4<br>100= Divide by 5<br>101= Divide by 6<br>110= Divide by 7<br>111= Divide by 8 |
| [7]      | Rsvd1         | R  | 0x0   | Reserved   |

Table 55. ADC0Cnvtr Frmt Command Response Format

| Bit    | Bitfield Name | RW | Reset | Description   |
|--------|---------------|----|-------|---|
| [6.:4] | NumBits       | RW | 0x3   | Bits per Sample<br>000= 8 bits<br>001= 16 bits<br>010= 20 bits<br>011= 24 bits<br>100-111= Reserved                 |
| [3.:0] | NumChan       | RW | 0x1   | Number of Channels in each frame of the stream.<br>0000= 1 channel<br>0001 = 2 channels<br>...<br>1111= 16 channels |

5.6.2. ADC0Cnvtr WCap

Table 56. ADC0Cnvtr WCap Command Verb Format

|     | Verb ID | Payload | Response           |
|-----|---------|---------|--------------------|
| Get | F00     | 09      | See bitfield table |

Table 57. ADC0Cnvtr WCap Command Response Format

| Bit      | Bitfield Name | RW | Reset | Description  |
|----------|---------------|----|-------|--|
| [31.:24] | Rsvd2         | R  | 0x0   | Reserved   |
| [23.:20] | Type          | R  | 0x1   | Widget type = Audio Input  |
| [19.:16] | Delay         | R  | 0xD   | Number of sample delays through widget                                   |
| [15.:12] | Rsvd1         | R  | 0x0   | Reserved   |
| [11]     | SwapCap       | R  | 0x0   | No left/right channel swap capability                                    |
| [10]     | PwrCntrl      | R  | 0x1   | Power State control is supported   |
| [9]      | DigitalStrm   | R  | 0x0   | Widget supports an Analog stream   |
| [8]      | ConnList      | R  | 0x1   | Connection list is present   |
| [7]      | UnsolCap      | R  | 0x0   | No support for Unsolicited Response                                      |
| [6]      | ProcWidget    | R  | 0x1   | Software should query the Processing Controls parameter for this widget. |
| [5]      | Stripe        | R  | 0x0   | No support for striping  |

Table 57. ADC0Cnvtr WCap Command Response Format

| Bit | Bitfield Name | RW | Reset | Description  |
|-----|---------------|----|-------|--|
| [4] | FormatOvrd    | R  | 0x0   | No format info; use default format parameters from Audio Function node instead       |
| [3] | AmpParamOvrd  | R  | 0x0   | No amplifier info; use default amplifier parameters from Audio Function node instead |
| [2] | OutAmpPrsnt   | R  | 0x0   | No output amp  |
| [1] | InAmpPrsnt    | R  | 0x0   | No input amp   |
| [0] | Stereo        | R  | 0x1   | Stereo widget  |

5.6.3. ADC0Cnvtr ConnLen

Table 58. ADC0Cnvtr ConnLen Command Verb Format

|     | Verb ID | Payload | Response           |
|-----|---------|---------|--------------------|
| Get | F00     | 0E      | See bitfield table |

Table 59. ADC0Cnvtr ConnLen Command Response Format

| Bit     | Bitfield Name | RW | Reset | Description  |
|---------|---------------|----|-------|--|
| [31.:8] | Rsvd          | R  | 0x0   | Reserved.  |
| [7]     | LongForm      | R  | 0x0   | Connection list uses short-form (7-bit) NID entries. |
| [6.:0]  | N             | R  | 0x01  | Number of NID entries in connection list.            |



5.6.4. *ADC0Cnvtr ConnLst*

Table 60. ADC0Cnvtr ConnLst Command Verb Format

|     | Verb ID | Payload | Response           |
|-----|---------|---------|--------------------|
| Get | F02     | 00      | See bitfield table |

Table 61. ADC0Cnvtr ConnLst Command Response Format

| Bit      | Bitfield Name | RW | Reset | Description        |
|----------|---------------|----|-------|--------------------|
| [31.:24] | Entry3        | R  | 0x00  | Unused list entry. |
| [23.:16] | Entry2        | R  | 0x00  | Unused list entry. |
| [15.:8]  | Entry1        | R  | 0x00  | Unused list entry. |
| [7.:0]   | Entry0        | R  | 0x0A  | ADC Mux widget.    |

5.6.5. *ADC0Cnvtr ProcState*

Table 62. ADC0Cnvtr ProcState Command Verb Format

|      | Verb ID | Payload                          | Response           |
|------|---------|----------------------------------|--------------------|
| Get  | F03     | 00                               | See bitfield table |
| Set1 | 703     | See bits [7:0] of bitfield table | 0000_0000h         |

Table 63. ADC0Cnvtr ProcState Command Response Format

| Bit     | Bitfield Name | RW | Reset | Description   |
|---------|---------------|----|-------|---|
| [31.:8] | Rsvd2         | R  | 0x0   | Reserved  |
| [7]     | HPFOffsetDis  | RW | 0x0   | High Pass Filter Offset Calculation Disable<br>0 = Calculation enabled.<br>1 = Calculation disabled.  |
| [6.:2]  | Rsvd1         | R  | 0x0   | Reserved  |
| [1.:0]  | HPFByp        | RW | 0x1   | Processing State = 00 (OFF): bypass the ADC high pass filter;<br>Processing State = 01, 10, 11 (ON or BENIGN): ADC high pass filter is enabled. |

5.6.6. *ADC0Cnvtr PwrState*

Table 64. ADC0Cnvtr PwrState Command Verb Format

|             | Verb ID | Payload                          | Response           |
|-------------|---------|----------------------------------|--------------------|
| <b>Get</b>  | F05     | 00                               | See bitfield table |
| <b>Set1</b> | 705     | See bits [7:0] of bitfield table | 0000_0000h         |

Table 65. ADC0Cnvtr PwrState Command Response Format

| Bit     | Bitfield Name | RW | Reset | Description   |
|---------|---------------|----|-------|---|
| [31.:8] | Rsvd2         | R  | 0x0   | Reserved  |
| [7.:4]  | Act           | R  | 0x3   | PS-Act: Actual power state of referenced node.  |
| [3.:2]  | Rsvd1         | R  | 0x0   | Reserved  |
| [1.:0]  | Set           | RW | 0x3   | PS-Set: Current power setting of referenced node.<br>00 - Fully on.<br>01 - Fully on.<br>10 - Fully on.<br>11 - Powered down (default powered down) |

5.6.7. *ADC0Cnvtr Stream*

Table 66. ADC0Cnvtr Stream Command Verb Format

|             | Verb ID | Payload                          | Response           |
|-------------|---------|----------------------------------|--------------------|
| <b>Get</b>  | F06     | 00                               | See bitfield table |
| <b>Set1</b> | 706     | See bits [7:0] of bitfield table | 0000_0000h         |

Table 67. ADC0Cnvtr Stream Command Response Format

| Bit     | Bitfield Name | RW | Reset | Description   |
|---------|---------------|----|-------|---|
| [31.:8] | Rsvd          | R  | 0x0   | Reserved  |
| [7.:4]  | ID            | RW | 0x0   | Software-programmable integer representing link stream ID used by the converter widget. By convention stream 0 is reserved as unused. |
| [3.:0]  | Ch            | RW | 0x0   | Integer representing lowest channel used by converter   |

5.7. SPDIFinCnvtr Node (NID = 0x04)

5.7.1. SPDIFinCnvtr Frmt

Table 68. SPDIFinCnvtr Frmt Command Verb Format

|      | Verb ID | Payload                           | Response           |
|------|---------|-----------------------------------|--------------------|
| Get  | A       | 0000                              | See bitfield table |
| Set1 | 2       | See bits [15:0] of bitfield table | 0000_0000h         |

Table 69. SPDIFinCnvtr Frmt Command Response Format

| Bit      | Bitfield Name | RW | Reset | Description  |
|----------|---------------|----|-------|--|
| [31.:16] | Rsvd2         | R  | 0x0   | Reserved   |
| [15]     | StrmType      | RW | 0x0   | N/A. (Stream Type)<br>0= PCM<br>1= Non-PCM   |
| [14]     | RateBase      | RW | 0x0   | Sample Base Rate<br>0= 48 KHz<br>1= 44.1 KHz   |
| [13.:11] | RateMult      | RW | 0x0   | Sample Base Rate Multiple<br>000= 48 KHz / 44.1 KHz or less<br>001= x2<br>010= Reserved (x3)<br>011= x4 100-111= Reserved  |
| [10.:8]  | RateDiv       | RW | 0x0   | Sample Base Rate Divisor<br>000= Divide by 1<br>001= Divide by 2<br>010= Divide by 3<br>011= Divide by 4<br>100= Divide by 5<br>101= Divide by 6<br>110= Divide by 7<br>111= Divide by 8 |
| [7]      | Rsvd1         | R  | 0x0   | Reserved   |

Table 69. SPDIFinCnvtr Frmt Command Response Format

| Bit    | Bitfield Name | RW | Reset | Description   |
|--------|---------------|----|-------|---|
| [6.:4] | NumBits       | RW | 0x3   | Bits per Sample<br>000= 8 bits<br>001= 16 bits<br>010= 20 bits<br>011= 24 bits<br>100-111= Reserved                 |
| [3.:0] | NumChan       | RW | 0x1   | Number of Channels in each frame of the stream.<br>0000= 1 channel<br>0001 = 2 channels<br>...<br>1111= 16 channels |

5.7.2. SPDIFinCnvtr WCap

Table 70. SPDIFinCnvtr WCap Command Verb Format

|     | Verb ID | Payload | Response           |
|-----|---------|---------|--------------------|
| Get | F00     | 09      | See bitfield table |

Table 71. SPDIFinCnvtr WCap Command Response Format

| Bit      | Bitfield Name | RW | Reset | Description                            |
|----------|---------------|----|-------|--|
| [31.:24] | Rsvd2         | R  | 0x0   | Reserved                               |
| [23.:20] | Type          | R  | 0x1   | Widget type = Audio Input              |
| [19.:16] | Delay         | R  | 0x4   | Number of sample delays through widget |
| [15.:12] | Rsvd1         | R  | 0x0   | Reserved                               |
| [11]     | SwapCap       | R  | 0x0   | No left/right channel swap capability  |
| [10]     | PwrCntrl      | R  | 0x0   | No support for Power State control     |
| [9]      | DigitalStrm   | R  | 0x1   | Widget supports a Digital stream       |
| [8]      | ConnList      | R  | 0x1   | Connection list is present             |
| [7]      | UnsolCap      | R  | 0x0   | No support for Unsolicited Response    |
| [6]      | ProcWidget    | R  | 0x0   | No Processing Controls parameter       |
| [5]      | Stripe        | R  | 0x0   | No support for striping                |

Table 71. SPDIFinCnvtr WCap Command Response Format

| Bit | Bitfield Name | RW | Reset | Description  |
|-----|---------------|----|-------|--|
| [4] | FormatOvrd    | R  | 0x1   | Widget contains format info; software should query                                   |
| [3] | AmpParamOvrd  | R  | 0x0   | No amplifier info; use default amplifier parameters from Audio Function node instead |
| [2] | OutAmpPrsnt   | R  | 0x0   | No output amp  |
| [1] | InAmpPrsnt    | R  | 0x0   | No input amp   |
| [0] | Stereo        | R  | 0x1   | Stereo widget  |

5.7.3. SPDIFinCnvtr FrmtCap

Table 72. SPDIFinCnvtr FrmtCap Command Verb Format

|     | Verb ID | Payload | Response           |
|-----|---------|---------|--------------------|
| Get | F00     | 0A      | See bitfield table |

Table 73. SPDIFinCnvtr FrmtCap Command Response Format

| Bit      | Bitfield Name | RW | Reset | Description                                 |
|----------|---------------|----|-------|---|
| [31.:21] | Rsvd2         | R  | 0x0   | Reserved                                    |
| [20]     | B32           | R  | 0x0   | 32 bit audio formats are NOT supported      |
| [19]     | B24           | R  | 0x1   | 24 bit audio formats are supported          |
| [18]     | B20           | R  | 0x1   | 20 bit audio formats are supported          |
| [17]     | B16           | R  | 0x1   | 16 bit audio formats are supported          |
| [16]     | B8            | R  | 0x0   | 8 bit audio formats are NOT supported       |
| [15.:12] | Rsvd1         | R  | 0x0   | Reserved                                    |
| [11]     | R12           | R  | 0x0   | 384 KHz rate (8/1*48 KHz) NOT supported     |
| [10]     | R11           | R  | 0x0   | 192.0 KHz rate (4/1*48 KHz) NOT supported   |
| [9]      | R10           | R  | 0x0   | 176.4 KHz rate (4/1*44.1 KHz) NOT supported |
| [8]      | R9            | R  | 0x1   | 96.0 KHz rate (2/1*48 KHz) supported        |
| [7]      | R8            | R  | 0x0   | 88.2 KHz rate (2/1*44.1 KHz) NOT supported  |
| [6]      | R7            | R  | 0x1   | 48.0 KHz rate supported (REQUIRED)          |

**Table 73. SPDIFinCnvtr FrmtCap Command Response Format**

| Bit | Bitfield Name | RW | Reset | Description                                  |
|-----|---------------|----|-------|--|
| [5] | R6            | R  | 0x1   | 44.1 KHz rate supported                      |
| [4] | R5            | R  | 0x0   | 32.0 KHz rate (2/3*48 KHz) NOT supported     |
| [3] | R4            | R  | 0x0   | 22.05 KHz rate (1/2*44.1 KHz) NOT supported  |
| [2] | R3            | R  | 0x0   | 16.0 KHz rate (1/3*48 KHz) NOT supported     |
| [1] | R2            | R  | 0x0   | 11.025 KHz rate (1/4*44.0 KHz) NOT supported |
| [0] | R1            | R  | 0x0   | 8.0 KHz rate (1/6*48 KHz) NOT supported      |

**5.7.4. SPDIFinCnvtr StreamCap**

**Table 74. SPDIFinCnvtr StreamCap Command Verb Format**

|            | Verb ID | Payload | Response           |
|------------|---------|---------|--------------------|
| <b>Get</b> | F00     | 0B      | See bitfield table |

**Table 75. SPDIFinCnvtr StreamCap Command Response Format**

| Bit     | Bitfield Name | RW | Reset | Description                   |
|---------|---------------|----|-------|-------------------------------|
| [31.:3] | Rsvd          | R  | 0x0   | Reserved                      |
| [2]     | NonPCM        | R  | 0x1   | Non-PCM data supported.       |
| [1]     | Float32       | R  | 0x0   | No support for Float32 data.  |
| [0]     | PCM           | R  | 0x1   | PCM-formatted data supported. |

5.7.5. SPDIFinCnvtr ConnLen

Table 76. SPDIFinCnvtr ConnLen Command Verb Format

|     | Verb ID | Payload | Response           |
|-----|---------|---------|--------------------|
| Get | F00     | 0E      | See bitfield table |

Table 77. SPDIFinCnvtr ConnLen Command Response Format

| Bit     | Bitfield Name | RW | Reset | Description  |
|---------|---------------|----|-------|--|
| [31.:8] | Rsvd          | R  | 0x0   | Reserved.  |
| [7]     | LongForm      | R  | 0x0   | Connection list uses short-form (7-bit) NID entries. |
| [6.:0]  | N             | R  | 0x01  | Number of NID entries in connection list.            |

5.7.6. SPDIFinCnvtr ConnLst

Table 78. SPDIFinCnvtr ConnLst Command Verb Format

|     | Verb ID | Payload | Response           |
|-----|---------|---------|--------------------|
| Get | F02     | 00      | See bitfield table |

Table 79. SPDIFinCnvtr ConnLst Command Response Format

| Bit      | Bitfield Name | RW | Reset | Description          |
|----------|---------------|----|-------|----------------------|
| [31.:24] | Entry3        | R  | 0x00  | Unused list entry.   |
| [23.:16] | Entry2        | R  | 0x00  | Unused list entry.   |
| [15.:8]  | Entry1        | R  | 0x00  | Unused list entry.   |
| [7.:0]   | Entry0        | R  | 0x08  | SPDIF-In Pin widget. |

5.7.7. SPDIFinCnvtr Stream

Table 80. SPDIFinCnvtr Stream Command Verb Format

|      | Verb ID | Payload                          | Response           |
|------|---------|----------------------------------|--------------------|
| Get  | F06     | 00                               | See bitfield table |
| Set1 | 706     | See bits [7:0] of bitfield table | 0000_0000h         |

Table 81. SPDIFinCnvtr Stream Command Response Format

| Bit     | Bitfield Name | RW | Reset | Description   |
|---------|---------------|----|-------|---|
| [31.:8] | Rsvd          | R  | 0x0   | Reserved  |
| [7.:4]  | ID            | RW | 0x0   | Software-programmable integer representing link stream ID used by the converter widget. By convention stream 0 is reserved as unused. |
| [3.:0]  | Ch            | RW | 0x0   | Integer representing lowest channel used by converter   |

5.7.8. SPDIFinCnvtr DigCtl

Table 82. SPDIFinCnvtr DigCtl Command Verb Format

|      | Verb ID | Payload                           | Response           |
|------|---------|-----------------------------------|--------------------|
| Get  | F0D     | 00                                | See bitfield table |
| Set1 | 70D     | See bits [7:0] of bitfield table  | 0000_0000h         |
| Set2 | 70E     | See bits [15:8] of bitfield table | 0000_0000h         |

Table 83. SPDIFinCnvtr DigCtl Command Response Format

| Bit      | Bitfield Name | RW | Reset | Description             |
|----------|---------------|----|-------|-------------------------|
| [31.:15] | Rsvd2         | R  | 0x0   | Reserved                |
| [14.:8]  | CC            | R  | 0x00  | CC[6:0] - Category Code |
| [7]      | L             | R  | 0x0   | L - Generation Level    |
| [6]      | PRO           | R  | 0x0   | PRO - Professional      |
| [5]      | AUDIO         | R  | 0x0   | /AUDIO - Non-Audio      |
| [4]      | COPY          | R  | 0x0   | COPY - Copyright        |
| [3]      | PRE           | R  | 0x0   | PRE - Preemphasis       |



Table 83. SPDIFInCnvtr DigCtl Command Response Format

| Bit | Bitfield Name | RW | Reset | Description  |
|-----|---------------|----|-------|--|
| [2] | Rsvd1         | R  | 0x0   | Reserved (VCFG bit applies only to output streams) |
| [1] | V             | R  | 0x0   | V - Validity                                       |
| [0] | DigEn         | RW | 0x0   | DigEn - Digital Enable                             |

5.8. SPDIFoutCnvtr Node (NID = 0x05)

5.8.1. SPDIFoutCnvtr Frmt

Table 84. SPDIFoutCnvtr Frmt Command Verb Format

|      | Verb ID | Payload                           | Response           |
|------|---------|-----------------------------------|--------------------|
| Get  | A       | 0000                              | See bitfield table |
| Set1 | 2       | See bits [15:0] of bitfield table | 0000_0000h         |

Table 85. SPDIFoutCnvtr Frmt Command Response Format

| Bit      | Bitfield Name | RW | Reset | Description   |
|----------|---------------|----|-------|---|
| [31.:16] | Rsvd2         | R  | 0x0   | Reserved  |
| [15]     | StrmType      | RW | 0x0   | Stream Type<br>0= PCM<br>1= Non-PCM<br>(remaining bits in this verb have other meanings)  |
| [14]     | RateBase      | RW | 0x0   | Sample Base Rate<br>0= 48 KHz<br>1= 44.1 KHz  |
| [13.:11] | RateMult      | RW | 0x0   | Sample Base Rate Multiple:<br>000= 48 KHz / 44.1 KHz or less;<br>001= x2;<br>010= Reserved (x3);<br>011= x4;<br>100-111= Reserved |

Table 85. SPDIFoutCnvtr Frmt Command Response Format

| Bit     | Bitfield Name | RW | Reset | Description  |
|---------|---------------|----|-------|--|
| [10.:8] | RateDiv       | RW | 0x0   | Sample Base Rate Divisor<br>000= Divide by 1<br>001= Divide by 2<br>010= Divide by 3<br>011= Divide by 4<br>100= Divide by 5<br>101= Divide by 6<br>110= Divide by 7<br>111= Divide by 8 |
| [7]     | Rsvd1         | R  | 0x0   | Reserved   |
| [6.:4]  | NumBits       | RW | 0x3   | Bits per Sample<br>000= 8 bits<br>001= 16 bits<br>010= 20 bits<br>011= 24 bits<br>100-111= Reserved  |
| [3.:0]  | NumChan       | RW | 0x1   | Number of Channels in each frame of the stream.<br>0000= 1 channel<br>0001 = 2 channels<br>...<br>1111= 16 channels  |

5.8.2. SPDIFoutCnvtr WCap

Table 86. SPDIFoutCnvtr WCap Command Verb Format

|     | Verb ID | Payload | Response           |
|-----|---------|---------|--------------------|
| Get | F00     | 09      | See bitfield table |

Table 87. SPDIFoutCnvtr WCap Command Response Format

| Bit      | Bitfield Name | RW | Reset | Description                            |
|----------|---------------|----|-------|--|
| [31.:24] | Rsvd2         | R  | 0x0   | Reserved                               |
| [23.:20] | Type          | R  | 0x0   | Widget type = Audio Output             |
| [19.:16] | Delay         | R  | 0x4   | Number of sample delays through widget |
| [15.:12] | Rsvd1         | R  | 0x0   | Reserved                               |
| [11]     | SwapCap       | R  | 0x0   | No left/right channel swap capability  |
| [10]     | PwrCntrl      | R  | 0x0   | No support for Power State control     |

**Table 87. SPDIFoutCnvtr WCap Command Response Format**

| Bit | Bitfield Name | RW | Reset | Description  |
|-----|---------------|----|-------|--|
| [9] | DigitalStrm   | R  | 0x1   | Widget supports a Digital stream   |
| [8] | ConnList      | R  | 0x0   | No connection list is present  |
| [7] | UnsolCap      | R  | 0x0   | No support for Unsolicited Response  |
| [6] | ProcWidget    | R  | 0x0   | No Processing Controls parameter   |
| [5] | Stripe        | R  | 0x0   | No support for striping  |
| [4] | FormatOvrd    | R  | 0x1   | Widget contains format info; software should query                                   |
| [3] | AmpParamOvrd  | R  | 0x0   | No amplifier info; use default amplifier parameters from Audio Function node instead |
| [2] | OutAmpPrsnt   | R  | 0x0   | No output amp  |
| [1] | InAmpPrsnt    | R  | 0x0   | No input amp   |
| [0] | Stereo        | R  | 0x1   | Stereo widget  |

**5.8.3. SPDIFoutCnvtr FrmtCap**

**Table 88. SPDIFoutCnvtr FrmtCap Command Verb Format**

|            | Verb ID | Payload | Response           |
|------------|---------|---------|--------------------|
| <b>Get</b> | F00     | 0A      | See bitfield table |

**Table 89. SPDIFoutCnvtr FrmtCap Command Response Format**

| Bit      | Bitfield Name | RW | Reset | Description                            |
|----------|---------------|----|-------|--|
| [31.:21] | Rsvd2         | R  | 0x0   | Reserved                               |
| [20]     | B32           | R  | 0x0   | 32 bit audio formats are NOT supported |
| [19]     | B24           | R  | 0x1   | 24 bit audio formats are supported     |
| [18]     | B20           | R  | 0x1   | 20 bit audio formats are supported     |
| [17]     | B16           | R  | 0x1   | 16 bit audio formats are supported     |
| [16]     | B8            | R  | 0x0   | 8 bit audio formats are NOT supported  |
| [15.:12] | Rsvd1         | R  | 0x0   | Reserved                               |

Table 89. SPDIFoutCnvtr FrmtCap Command Response Format

| Bit  | Bitfield Name | RW | Reset | Description                                  |
|------|---------------|----|-------|--|
| [11] | R12           | R  | 0x0   | 384 KHz rate (8/1*48 KHz) NOT supported      |
| [10] | R11           | R  | 0x0   | 192.0 KHz rate (4/1*48 KHz) NOT supported    |
| [9]  | R10           | R  | 0x0   | 176.4 KHz rate (4/1*44.1 KHz) NOT supported  |
| [8]  | R9            | R  | 0x1   | 96.0 KHz rate (2/1*48 KHz) supported         |
| [7]  | R8            | R  | 0x1   | 88.2 KHz rate (2/1*44.1 KHz) supported       |
| [6]  | R7            | R  | 0x1   | 48.0 KHz rate supported (REQUIRED)           |
| [5]  | R6            | R  | 0x1   | 44.1 KHz rate supported                      |
| [4]  | R5            | R  | 0x0   | 32.0 KHz rate (2/3*48 KHz) NOT supported     |
| [3]  | R4            | R  | 0x0   | 22.05 KHz rate (1/2*44.1 KHz) NOT supported  |
| [2]  | R3            | R  | 0x0   | 16.0 KHz rate (1/3*48 KHz) NOT supported     |
| [1]  | R2            | R  | 0x0   | 11.025 KHz rate (1/4*44.0 KHz) NOT supported |
| [0]  | R1            | R  | 0x0   | 8.0 KHz rate (1/6*48 KHz) NOT supported      |

#### 5.8.4. SPDIFoutCnvtr StreamCap

Table 90. SPDIFoutCnvtr StreamCap Command Verb Format

|     | Verb ID | Payload | Response           |
|-----|---------|---------|--------------------|
| Get | F00     | 0B      | See bitfield table |

Table 91. SPDIFoutCnvtr StreamCap Command Response Format

| Bit      | Bitfield Name | RW | Reset | Description                   |
|----------|---------------|----|-------|-------------------------------|
| [31..:3] | Rsvd          | R  | 0x0   | Reserved                      |
| [2]      | NonPCM        | R  | 0x1   | Non-PCM data supported.       |
| [1]      | Float32       | R  | 0x0   | No support for Float32 data.  |
| [0]      | PCM           | R  | 0x1   | PCM-formatted data supported. |

5.8.5. *SPDIFoutCnvtr Stream*

Table 92. SPDIFoutCnvtr Stream Command Verb Format

|             | Verb ID | Payload                          | Response           |
|-------------|---------|----------------------------------|--------------------|
| <b>Get</b>  | F06     | 00                               | See bitfield table |
| <b>Set1</b> | 706     | See bits [7:0] of bitfield table | 0000_0000h         |

Table 93. SPDIFoutCnvtr Stream Command Response Format

| Bit     | Bitfield Name | RW | Reset | Description   |
|---------|---------------|----|-------|---|
| [31.:8] | Rsvd          | R  | 0x0   | Reserved  |
| [7.:4]  | ID            | RW | 0x0   | Software-programmable integer representing link stream ID used by the converter widget. By convention stream 0 is reserved as unused. |
| [3.:0]  | Ch            | RW | 0x0   | Integer representing lowest channel used by converter   |

5.8.6. *SPDIFoutCnvtr DigCtl*

Table 94. SPDIFoutCnvtr DigCtl Command Verb Format

|             | Verb ID | Payload                           | Response           |
|-------------|---------|-----------------------------------|--------------------|
| <b>Get</b>  | F0D     | 00                                | See bitfield table |
| <b>Set1</b> | 70D     | See bits [7:0] of bitfield table  | 0000_0000h         |
| <b>Set2</b> | 70E     | See bits [15:8] of bitfield table | 0000_0000h         |

Table 95. SPDIFoutCnvtr DigCtl Command Response Format

| Bit      | Bitfield Name | RW | Reset | Description             |
|----------|---------------|----|-------|-------------------------|
| [31.:16] | Rsvd2         | R  | 0x0   | Reserved                |
| [15]     | Rsvd1         | R  | 0x0   | Reserved                |
| [14.:8]  | CC            | RW | 0x00  | CC[6:0] - Category Code |
| [7]      | L             | RW | 0x0   | L - Generation Level    |
| [6]      | PRO           | RW | 0x0   | PRO - Professional      |
| [5]      | AUDIO         | RW | 0x0   | /AUDIO - Non-Audio      |

Table 95. SPDIFoutCnvtr DigCtl Command Response Format

| Bit | Bitfield Name | RW | Reset | Description            |
|-----|---------------|----|-------|------------------------|
| [4] | COPY          | RW | 0x0   | COPY - Copyright       |
| [3] | PRE           | RW | 0x0   | PRE - Preemphasis      |
| [2] | VCFG          | RW | 0x0   | VCFG - Validity Config |
| [1] | V             | RW | 0x0   | V - Validity           |
| [0] | DigEn         | RW | 0x0   | DigEn - Digital Enable |

5.9. DAC0Mux Node (NID = 0x07)

5.9.1. DAC0Mux WCap

Table 96. DAC0Mux WCap Command Verb Format

|     | Verb ID | Payload | Response           |
|-----|---------|---------|--------------------|
| Get | F00     | 09      | See bitfield table |

Table 97. DAC0Mux WCap Command Response Format

| Bit      | Bitfield Name | RW | Reset | Description                            |
|----------|---------------|----|-------|--|
| [31..24] | Rsvd2         | R  | 0x0   | Reserved                               |
| [23..20] | Type          | R  | 0x3   | Widget type = Audio Selector           |
| [19..16] | Delay         | R  | 0x0   | Number of sample delays through widget |
| [15..12] | Rsvd1         | R  | 0x0   | Reserved                               |
| [11]     | SwapCap       | R  | 0x1   | Left and right channels can be swapped |
| [10]     | PwrCntrl      | R  | 0x0   | No support for Power State control     |
| [9]      | DigitalStrm   | R  | 0x0   | Widget supports an Analog stream       |
| [8]      | ConnList      | R  | 0x1   | Connection list is present             |
| [7]      | UnsolCap      | R  | 0x0   | No support for Unsolicited Response    |
| [6]      | ProcWidget    | R  | 0x0   | No Processing Controls parameter.      |
| [5]      | Stripe        | R  | 0x0   | No support for striping                |

# STAC9200

## 2-Channel High Definition Audio Codec

Table 97. DAC0Mux WCap Command Response Format

| Bit | Bitfield Name | RW | Reset | Description  |
|-----|---------------|----|-------|--|
| [4] | FormatOvrd    | R  | 0x0   | No format info; use default format parameters from Audio Function node instead       |
| [3] | AmpParamOvrd  | R  | 0x0   | No amplifier info; use default amplifier parameters from Audio Function node instead |
| [2] | OutAmpPrsnt   | R  | 0x0   | No output amp  |
| [1] | InAmpPrsnt    | R  | 0x0   | No input amp   |
| [0] | Stereo        | R  | 0x1   | Stereo widget  |

### 5.9.2. DAC0Mux ConnLen

Table 98. DAC0Mux ConnLen Command Verb Format

|     | Verb ID | Payload | Response           |
|-----|---------|---------|--------------------|
| Get | F00     | 0E      | See bitfield table |

Table 99. DAC0Mux ConnLen Command Response Format

| Bit     | Bitfield Name | RW | Reset | Description  |
|---------|---------------|----|-------|--|
| [31.:8] | Rsvd          | R  | 0x0   | Reserved.  |
| [7]     | LongForm      | R  | 0x0   | Connection list uses short-form (7-bit) NID entries. |
| [6.:0]  | N             | R  | 0x03  | Number of NID entries in connection list.            |

5.9.3. *DAC0Mux ConnSel*

Table 100. DAC0Mux ConnSel Command Verb Format

|      | Verb ID | Payload                          | Response           |
|------|---------|----------------------------------|--------------------|
| Get  | F01     | 00                               | See bitfield table |
| Set1 | 701     | See bits [7:0] of bitfield table | 0000_0000h         |

Table 101. DAC0Mux ConnSel Command Response Format

| Bit     | Bitfield Name | RW | Reset | Description                      |
|---------|---------------|----|-------|----------------------------------|
| [31.:2] | Rsvd          | R  | 0x0   | Reserved                         |
| [1.:0]  | Index         | RW | 0x0   | Connection select control index. |

5.9.4. *DAC0Mux ConnLst*

Table 102. DAC0Mux ConnLst Command Verb Format

|     | Verb ID | Payload | Response           |
|-----|---------|---------|--------------------|
| Get | F02     | 00      | See bitfield table |

Table 103. DAC0Mux ConnLst Command Response Format

| Bit      | Bitfield Name | RW | Reset | Description                  |
|----------|---------------|----|-------|------------------------------|
| [31.:24] | Entry3        | R  | 0x00  | Unused list entry.           |
| [23.:16] | Entry2        | R  | 0x0A  | ADC Mux widget.              |
| [15.:8]  | Entry1        | R  | 0x08  | SPDIF-In Pin widget.         |
| [7.:0]   | Entry0        | R  | 0x02  | DAC Analog converter widget. |



5.9.5. DAC0Mux LR

Table 104. DAC0Mux LR Command Verb Format

|      | Verb ID | Payload                          | Response           |
|------|---------|----------------------------------|--------------------|
| Get  | F0C     | 00                               | See bitfield table |
| Set1 | 70C     | See bits [7:0] of bitfield table | 0000_0000h         |

Table 105. DAC0Mux LR Command Response Format

| Bit     | Bitfield Name | RW | Reset | Description                                     |
|---------|---------------|----|-------|---|
| [31.:3] | Rsvd2         | R  | 0x0   | Reserved  |
| [2]     | SwapEn        | RW | 0x0   | 1= swap left and right channels of this Widget. |
| [1.:0]  | Rsvd1         | R  | 0x0   | Reserved  |

5.10. DigInPin Node (NID = 0x08)

5.10.1. DigInPin WCap

Table 106. DigInPin WCap Command Verb Format

|     | Verb ID | Payload | Response           |
|-----|---------|---------|--------------------|
| Get | F00     | 09      | See bitfield table |

Table 107. DigInPin WCap Command Response Format

| Bit      | Bitfield Name | RW | Reset | Description                            |
|----------|---------------|----|-------|--|
| [31.:24] | Rsvd2         | R  | 0x0   | Reserved                               |
| [23.:20] | Type          | R  | 0x4   | Widget type = Pin Complex              |
| [19.:16] | Delay         | R  | 0x3   | Number of sample delays through widget |
| [15.:12] | Rsvd1         | R  | 0x0   | Reserved                               |
| [11]     | SwapCap       | R  | 0x0   | No left/right channel swap capability  |
| [10]     | PwrCntrl      | R  | 0x1   | Power State control is supported       |
| [9]      | DigitalStrm   | R  | 0x1   | Widget supports a Digital stream       |
| [8]      | ConnList      | R  | 0x0   | No connection list is present          |

Table 107. DigInPin WCap Command Response Format

| Bit | Bitfield Name | RW | Reset | Description  |
|-----|---------------|----|-------|--|
| [7] | UnsolCap      | R  | 0x1   | Unsolicited Response is supported  |
| [6] | ProcWidget    | R  | 0x0   | No Processing Controls parameter   |
| [5] | Stripe        | R  | 0x0   | No support for striping  |
| [4] | FormatOvrd    | R  | 0x0   | N/A for pin complex  |
| [3] | AmpParamOvrd  | R  | 0x0   | No amplifier info; use default amplifier parameters from Audio Function node instead |
| [2] | OutAmpPrsnt   | R  | 0x0   | No output amp  |
| [1] | InAmpPrsnt    | R  | 0x0   | No input amp   |
| [0] | Stereo        | R  | 0x1   | Stereo widget  |

5.10.2. DigInPin Cap

Table 108. DigInPin Cap Command Verb Format

|     | Verb ID | Payload | Response           |
|-----|---------|---------|--------------------|
| Get | F00     | 0C      | See bitfield table |

Table 109. DigInPin Cap Command Response Format

| Bit      | Bitfield Name | RW | Reset | Description  |
|----------|---------------|----|-------|--|
| [31..17] | Rsvd2         | R  | 0x0   | Reserved   |
| [16]     | EapdCap       | R  | 0x1   | This widget controls EAPD pin  |
| [15..8]  | VRefCntrl     | R  | 0x00  | VRef generation not supported by this pin complex.                   |
| [7]      | Rsvd1         | R  | 0x0   | Reserved   |
| [6]      | BalancedIO    | R  | 0x0   | Pin complex does not have balanced pins.                             |
| [5]      | InCap         | R  | 0x1   | Pin complex is input capable.  |
| [4]      | OutCap        | R  | 0x0   | Pin complex is not output capable. (EAPD not equal to output stream) |
| [3]      | HPhnDrvCap    | R  | 0x0   | Pin does not have a headphone amplifier.                             |
| [2]      | PresDtctCap   | R  | 0x1   | Pin complex can perform Presence Detect.                             |

Table 109. DigInPin Cap Command Response Format

| Bit | Bitfield Name | RW | Reset | Description                                   |
|-----|---------------|----|-------|---|
| [1] | TrigRqd       | R  | 0x0   | N/A   |
| [0] | ImpSenseCap   | R  | 0x0   | Pin complex does not support impedance sense. |

5.10.3. DigInPin PwrState

Table 110. DigInPin PwrState Command Verb Format

|             | Verb ID | Payload                          | Response           |
|-------------|---------|----------------------------------|--------------------|
| <b>Get</b>  | F05     | 00                               | See bitfield table |
| <b>Set1</b> | 705     | See bits [7:0] of bitfield table | 0000_0000h         |

Table 111. DigInPin PwrState Command Response Format

| Bit     | Bitfield Name | RW | Reset | Description   |
|---------|---------------|----|-------|---|
| [31.:8] | Rsvd2         | R  | 0x0   | Reserved  |
| [7.:4]  | Act           | R  | 0x3   | PS-Act: Actual power state of referenced node.  |
| [3.:2]  | Rsvd1         | R  | 0x0   | Reserved  |
| [1.:0]  | Set           | RW | 0x3   | PS-Set: Current power setting of referenced node.<br>00 - Fully on.<br>01 - Fully on.<br>10 - Fully on.<br>11 - Powered down (default powered down) |

5.10.4. DigInPin Ctl

Table 112. DigInPin Ctl Command Verb Format

|      | Verb ID | Payload                          | Response           |
|------|---------|----------------------------------|--------------------|
| Get  | F07     | 00                               | See bitfield table |
| Set1 | 707     | See bits [7:0] of bitfield table | 0000_0000h         |

Table 113. DigInPin Ctl Command Response Format

| Bit     | Bitfield Name | RW | Reset | Description                                    |
|---------|---------------|----|-------|--|
| [31.:6] | Rsvd2         | R  | 0x0   | Reserved                                       |
| [5]     | InEn          | RW | 0x0   | 1= (CODEC) input path of Pin Widget is enabled |
| [4.:0]  | Rsvd1         | R  | 0x0   | Reserved                                       |

5.10.5. DigInPin UnsolResp

Table 114. DigInPin UnsolResp Command Verb Format

|      | Verb ID | Payload                          | Response           |
|------|---------|----------------------------------|--------------------|
| Get  | F08     | 00                               | See bitfield table |
| Set1 | 708     | See bits [7:0] of bitfield table | 0000_0000h         |

Table 115. DigInPin UnsolResp Command Response Format

| Bit     | Bitfield Name | RW | Reset | Description  |
|---------|---------------|----|-------|--|
| [31.:8] | Rsvd2         | R  | 0x00  | Reserved   |
| [7]     | En            | RW | 0x0   | Allow generation of Unsolicited Responses. Unsolicited response events occur upon lock or loss-of-lock by SPDIF-in clock recovery circuit. |
| [6]     | Rsvd1         | R  | 0x0   | Reserved.  |
| [5.:0]  | Tag           | RW | 0x00  | Software programmable field returned in top six bits (31:26) of every Unsolicited Response generated by this node.                         |

## 5.10.6. DigInPin Sense

Table 116. DigInPin Sense Command Verb Format

|      | Verb ID | Payload                           | Response           |
|------|---------|-----------------------------------|--------------------|
| Get  | F09     | 00                                | See bitfield table |
| Set1 | 709     | See bits [7:0] of bitfield table  | 0000_0000h         |
| Set2 | 709     | See bits [15:8] of bitfield table | 0000_0000h         |

Table 117. DigInPin Sense Command Response Format

| Bit     | Bitfield Name | RW | Reset | Description   |
|---------|---------------|----|-------|---|
| [31]    | Present       | R  | 0x0   | 1= something is plugged into jack associated with Pin Complex. For this widget, Presence Detect indicates that the SPDIF-in clock recovery circuit has locked onto a valid SPDIF-in sampling frequency. Any change in status will generate an Unsolicited Response, if enabled with verb 708. |
| [30.:0] | Rsvd          | R  | 0x0   | Reserved. Impedance sense not supported for this Pin Complex.   |

## 5.10.7. DigInPin EAPD

Table 118. DigInPin EAPD Command Verb Format

|      | Verb ID | Payload                          | Response           |
|------|---------|----------------------------------|--------------------|
| Get  | F0C     | 00                               | See bitfield table |
| Set1 | 70C     | See bits [7:0] of bitfield table | 0000_0000h         |

Table 119. DigInPin EAPD Command Response Format

| Bit     | Bitfield Name | RW | Reset | Description  |
|---------|---------------|----|-------|--|
| [31.:2] | Rsvd2         | R  | 0x0   | Reserved   |
| [1]     | Data          | RW | 0x0   | EAPD value reflected on the EAPD pin.<br>0= power down external amp;<br>1= power up external amp if PwrState < 0x2.<br>If PwrState >= 0x2, Pin47 is Hi-Z. An external pull-down is required if EAPD must be low when Pin Widget is powered down. |
| [0]     | Rsvd1         | R  | 0x0   | Reserved   |

5.10.8. DigInPin Config

Table 120. DigInPin Config Command Verb Format

|             | Verb ID | Payload                            | Response           |
|-------------|---------|------------------------------------|--------------------|
| <b>Get</b>  | F1C     | 00                                 | See bitfield table |
| <b>Set1</b> | 71C     | See bits [7:0] of bitfield table   | 0000_0000h         |
| <b>Set2</b> | 71D     | See bits [15:8] of bitfield table  | 0000_0000h         |
| <b>Set3</b> | 71E     | See bits [23:16] of bitfield table | 0000_0000h         |
| <b>Set4</b> | 71F     | See bits [31:24] of bitfield table | 0000_0000h         |

Table 121. DigInPin Config Command Response Format

| Bit      | Bitfield Name | RW | Reset | Description   |
|----------|---------------|----|-------|---|
| [31.:30] | Port          | RW | 0x0   | External Port Connectivity of the Pin Complex. 0 = Port Complex is connected to a jack                                      |
| [29.:24] | Location      | RW | 0x01  | Physical location of the jack. Optical jack at mainboard rear.  |
| [23.:20] | Device        | RW | 0xC   | Default Device, indicating intended use of jack. C = SPDIF In   |
| [19.:16] | Connection    | RW | 0x5   | Connection Type. 5 = optical  |
| [15.:12] | Color         | RW | 0xE   | Color of physical jack. E = White   |
| [11.:8]  | Misc          | RW | 0x0   | Misc[0] == Jack Detect override.  |
| [7.:4]   | Assoc         | RW | 0x3   | Default Association for Pin Complex groups. Reserved value 0000b should not be used. Value 1111b indicates lowest priority. |
| [3.:0]   | Sequence      | RW | 0x0   | All Widgets in an association must have unique sequence number.   |

## 5.11. DigOutPin Node (NID = 0x09)

### 5.11.1. DigOutPin WCap

Table 122. DigOutPin WCap Command Verb Format

|     | Verb ID | Payload | Response           |
|-----|---------|---------|--------------------|
| Get | F00     | 09      | See bitfield table |

Table 123. DigOutPin WCap Command Response Format

| Bit      | Bitfield Name | RW | Reset | Description  |
|----------|---------------|----|-------|--|
| [31..24] | Rsvd2         | R  | 0x0   | Reserved   |
| [23..20] | Type          | R  | 0x4   | Widget type = Pin Complex  |
| [19..16] | Delay         | R  | 0x0   | Number of sample delays through widget   |
| [15..12] | Rsvd1         | R  | 0x0   | Reserved   |
| [11]     | SwapCap       | R  | 0x0   | No left/right channel swap capability  |
| [10]     | PwrCntrl      | R  | 0x0   | No support for Power State control   |
| [9]      | DigitalStrm   | R  | 0x1   | Widget supports a Digital stream   |
| [8]      | ConnList      | R  | 0x1   | Connection list is present   |
| [7]      | UnsolCap      | R  | 0x0   | No support for Unsolicited Response  |
| [6]      | ProcWidget    | R  | 0x0   | No Processing Controls parameter   |
| [5]      | Stripe        | R  | 0x0   | No support for striping  |
| [4]      | FormatOvrd    | R  | 0x0   | N/A for pin complex  |
| [3]      | AmpParamOvrd  | R  | 0x0   | No amplifier info; use default amplifier parameters from Audio Function node instead |
| [2]      | OutAmpPrsnt   | R  | 0x0   | No output amp  |
| [1]      | InAmpPrsnt    | R  | 0x0   | No input amp   |
| [0]      | Stereo        | R  | 0x1   | Stereo widget  |

5.11.2. *DigOutPin Cap*

Table 124. DigOutPin Cap Command Verb Format

|     | Verb ID | Payload | Response           |
|-----|---------|---------|--------------------|
| Get | F00     | 0C      | See bitfield table |

Table 125. DigOutPin Cap Command Response Format

| Bit      | Bitfield Name | RW | Reset | Description   |
|----------|---------------|----|-------|---|
| [31.:17] | Rsvd2         | R  | 0x0   | Reserved  |
| [16]     | EapdCap       | R  | 0x0   | This widget does not control EAPD pin                       |
| [15.:8]  | VRefCntrl     | R  | 0x00  | VRef generation N/A since pin complex is not input capable. |
| [7]      | Rsvd1         | R  | 0x0   | Reserved  |
| [6]      | BalancedIO    | R  | 0x0   | Pin complex does not have balanced pins.                    |
| [5]      | InCap         | R  | 0x0   | Pin complex is not input capable.                           |
| [4]      | OutCap        | R  | 0x1   | Pin complex is output capable.                              |
| [3]      | HPhnDrvCap    | R  | 0x0   | Pin does not have a headphone amplifier.                    |
| [2]      | PresDtctCap   | R  | 0x0   | Pin complex cannot perform Presence Detect.                 |
| [1]      | TrigRqd       | R  | 0x0   | N/A   |
| [0]      | ImpSenseCap   | R  | 0x0   | Pin complex does not support impedance sense.               |

5.11.3. *DigOutPin ConnLen*

Table 126. DigOutPin ConnLen Command Verb Format

|     | Verb ID | Payload | Response           |
|-----|---------|---------|--------------------|
| Get | F00     | 0E      | See bitfield table |

Table 127. DigOutPin ConnLen Command Response Format

| Bit     | Bitfield Name | RW | Reset | Description  |
|---------|---------------|----|-------|--|
| [31.:8] | Rsvd          | R  | 0x0   | Reserved.  |
| [7]     | LongForm      | R  | 0x0   | Connection list uses short-form (7-bit) NID entries. |
| [6.:0]  | N             | R  | 0x02  | Number of NID entries in connection list.            |



5.11.4. *DigOutPin ConnSel*

Table 128. DigOutPin ConnSel Command Verb Format

|             | Verb ID | Payload                          | Response           |
|-------------|---------|----------------------------------|--------------------|
| <b>Get</b>  | F01     | 00                               | See bitfield table |
| <b>Set1</b> | 701     | See bits [7:0] of bitfield table | 0000_0000h         |

Table 129. DigOutPin ConnSel Command Response Format

| Bit     | Bitfield Name | RW | Reset | Description                      |
|---------|---------------|----|-------|----------------------------------|
| [31..2] | Rsvd          | R  | 0x0   | Reserved                         |
| [1..0]  | Index         | RW | 0x0   | Connection select control index. |

5.11.5. *DigOutPin ConnLst*

Table 130. DigOutPin ConnLst Command Verb Format

|            | Verb ID | Payload | Response           |
|------------|---------|---------|--------------------|
| <b>Get</b> | F02     | 00      | See bitfield table |

Table 131. DigOutPin ConnLst Command Response Format

| Bit      | Bitfield Name | RW | Reset | Description                 |
|----------|---------------|----|-------|-----------------------------|
| [31..24] | Entry3        | R  | 0x00  | Unused list entry.          |
| [23..16] | Entry2        | R  | 0x00  | Unused list entry.          |
| [15..8]  | Entry1        | R  | 0x0A  | ADC Mux widget.             |
| [7..0]   | Entry0        | R  | 0x05  | SPDIF Out converter widget. |

5.11.6. *DigOutPin Ctl*

Table 132. DigOutPin Ctl Command Verb Format

|             | Verb ID | Payload                          | Response           |
|-------------|---------|----------------------------------|--------------------|
| <b>Get</b>  | F07     | 00                               | See bitfield table |
| <b>Set1</b> | 707     | See bits [7:0] of bitfield table | 0000_0000h         |

Table 133. DigOutPin Ctl Command Response Format

| Bit     | Bitfield Name | RW | Reset | Description                                     |
|---------|---------------|----|-------|---|
| [31.:7] | Rsvd2         | R  | 0x0   | Reserved  |
| [6]     | OutEn         | RW | 0x0   | 1= (CODEC) output path of Pin Widget is enabled |
| [5.:0]  | Rsvd1         | R  | 0x0   | Reserved  |

5.11.7. *DigOutPin Config*

Table 134. DigOutPin Config Command Verb Format

|             | Verb ID | Payload                            | Response           |
|-------------|---------|------------------------------------|--------------------|
| <b>Get</b>  | F1C     | 00                                 | See bitfield table |
| <b>Set1</b> | 71C     | See bits [7:0] of bitfield table   | 0000_0000h         |
| <b>Set2</b> | 71D     | See bits [15:8] of bitfield table  | 0000_0000h         |
| <b>Set3</b> | 71E     | See bits [23:16] of bitfield table | 0000_0000h         |
| <b>Set4</b> | 71F     | See bits [31:24] of bitfield table | 0000_0000h         |

Table 135. DigOutPin Config Command Response Format

| Bit      | Bitfield Name | RW | Reset | Description  |
|----------|---------------|----|-------|--|
| [31.:30] | Port          | RW | 0x0   | External Port Connectivity of the Pin Complex. 0 = Port Complex is connected to a jack |
| [29.:24] | Location      | RW | 0x01  | Physical location of the jack. Optical jack at mainboard rear.                         |
| [23.:20] | Device        | RW | 0x4   | Default Device, indicating intended use of jack. 4 = SPDIF Out                         |
| [19.:16] | Connection    | RW | 0x5   | Connection Type. 5 = optical   |

Table 135. DigOutPin Config Command Response Format

| Bit      | Bitfield Name | RW | Reset | Description   |
|----------|---------------|----|-------|---|
| [15.:12] | Color         | RW | 0x1   | Color of physical jack. 1 = Black   |
| [11.:8]  | Misc          | RW | 0x0   | Misc[0] == Jack Detect override.  |
| [7.:4]   | Assoc         | RW | 0x1   | Default Association for Pin Complex groups. Reserved value 0000b should not be used. Value 1111b indicates lowest priority. |
| [3.:0]   | Sequence      | RW | 0x2   | All Widgets in an association must have unique sequence number.   |

5.12. ADC0Mux Node (NID = 0x0A)

5.12.1. ADC0Mux VolRight

Table 136. ADC0Mux VolRight Command Verb Format

|      | Verb ID | Payload                          | Response           |
|------|---------|----------------------------------|--------------------|
| Get  | B80     | 00                               | See bitfield table |
| Set1 | 390     | See bits [7:0] of bitfield table | 0000_0000h         |

Table 137. ADC0Mux VolRight Command Response Format

| Bit     | Bitfield Name | RW | Reset | Description                |
|---------|---------------|----|-------|----------------------------|
| [31.:8] | Rsvd2         | R  | 0x0   | Reserved                   |
| [7]     | Mute          | RW | 0x1   | 1= mute is active          |
| [6.:4]  | Rsvd1         | R  | 0x0   | Reserved                   |
| [3.:0]  | Gain          | RW | 0x0   | Amplifier gain step number |

5.12.2. ADC0Mux VolLeft

Table 138. ADC0Mux VolLeft Command Verb Format

|      | Verb ID | Payload                          | Response           |
|------|---------|----------------------------------|--------------------|
| Get  | BA0     | 00                               | See bitfield table |
| Set1 | 3A0     | See bits [7:0] of bitfield table | 0000_0000h         |

Table 139. ADC0Mux VolLeft Command Response Format

| Bit     | Bitfield Name | RW | Reset | Description                |
|---------|---------------|----|-------|----------------------------|
| [31.:8] | Rsvd2         | R  | 0x0   | Reserved                   |
| [7]     | Mute          | RW | 0x1   | 1= mute is active          |
| [6.:4]  | Rsvd1         | R  | 0x0   | Reserved                   |
| [3.:0]  | Gain          | RW | 0x0   | Amplifier gain step number |

5.12.3. ADC0Mux WCap

Table 140. ADC0Mux WCap Command Verb Format

|     | Verb ID | Payload | Response           |
|-----|---------|---------|--------------------|
| Get | F00     | 09      | See bitfield table |

Table 141. ADC0Mux WCap Command Response Format

| Bit      | Bitfield Name | RW | Reset | Description                            |
|----------|---------------|----|-------|--|
| [31.:24] | Rsvd2         | R  | 0x0   | Reserved                               |
| [23.:20] | Type          | R  | 0x3   | Widget type = Audio Selector           |
| [19.:16] | Delay         | R  | 0x0   | Number of sample delays through widget |
| [15.:12] | Rsvd1         | R  | 0x0   | Reserved                               |
| [11]     | SwapCap       | R  | 0x1   | Left and right channels can be swapped |
| [10]     | PwrCntrl      | R  | 0x0   | No support for Power State control     |
| [9]      | DigitalStrm   | R  | 0x0   | Widget supports an Analog stream       |
| [8]      | ConnList      | R  | 0x1   | Connection list is present             |
| [7]      | UnsolCap      | R  | 0x0   | No support for Unsolicited Response    |

Table 141. ADC0Mux WCap Command Response Format

| Bit | Bitfield Name | RW | Reset | Description  |
|-----|---------------|----|-------|--|
| [6] | ProcWidget    | R  | 0x0   | No Processing Controls parameter.  |
| [5] | Stripe        | R  | 0x0   | No support for striping  |
| [4] | FormatOvrd    | R  | 0x0   | No format info; use default format parameters from Audio Function node instead |
| [3] | AmpParamOvrd  | R  | 0x1   | This widget contains its own amplifier parameters.                             |
| [2] | OutAmpPrsnt   | R  | 0x1   | Output amp is present  |
| [1] | InAmpPrsnt    | R  | 0x0   | No input amp   |
| [0] | Stereo        | R  | 0x1   | Stereo widget  |

5.12.4. ADC0Mux OutAmpCap

Table 142. ADC0Mux OutAmpCap Command Verb Format

|     | Verb ID | Payload | Response           |
|-----|---------|---------|--------------------|
| Get | F00     | 12      | See bitfield table |

Table 143. ADC0Mux OutAmpCap Command Response Format

| Bit      | Bitfield Name | RW | Reset | Description   |
|----------|---------------|----|-------|---|
| [31]     | Mute          | R  | 0x1   | Amplifier is capable of muting                          |
| [30.:23] | Rsvd3         | R  | 0x0   | Reserved  |
| [22.:16] | StepSize      | R  | 0x05  | Size of each step in the gain range = 1.5dB             |
| [15]     | Rsvd2         | R  | 0x0   | Reserved  |
| [14.:8]  | NumSteps      | R  | 0x0F  | Number of steps in the gain range = 16 (0dB to +22.5dB) |
| [7]      | Rsvd1         | R  | 0x0   | Reserved  |
| [6.:0]   | Offset        | R  | 0x00  | 0dB-step is programmed with this offset                 |

**5.12.5. ADC0Mux ConnLen**

**Table 144. ADC0Mux ConnLen Command Verb Format**

|     | Verb ID | Payload | Response           |
|-----|---------|---------|--------------------|
| Get | F00     | 0E      | See bitfield table |

**Table 145. ADC0Mux ConnLen Command Response Format**

| Bit     | Bitfield Name | RW | Reset | Description  |
|---------|---------------|----|-------|--|
| [31..8] | Rsvd          | R  | 0x0   | Reserved   |
| [7]     | LongForm      | R  | 0x0   | Connection list uses short-form (7-bit) NID entries. |
| [6..0]  | N             | R  | 0x01  | Number of NID entries in connection list.            |

**5.12.6. ADC0Mux ConnLst**

**Table 146. ADC0Mux ConnLst Command Verb Format**

|     | Verb ID | Payload | Response           |
|-----|---------|---------|--------------------|
| Get | F02     | 00      | See bitfield table |

**Table 147. ADC0Mux ConnLst Command Response Format**

| Bit      | Bitfield Name | RW | Reset | Description                       |
|----------|---------------|----|-------|-----------------------------------|
| [31..24] | Entry3        | R  | 0x00  | Unused list entry.                |
| [23..16] | Entry2        | R  | 0x00  | Unused list entry.                |
| [15..8]  | Entry1        | R  | 0x00  | Unused list entry.                |
| [7..0]   | Entry0        | R  | 0x0C  | Input Port (UnivJack) Mux widget. |

5.12.7. ADC0Mux LR

Table 148. ADC0Mux LR Command Verb Format

|      | Verb ID | Payload                          | Response           |
|------|---------|----------------------------------|--------------------|
| Get  | F0C     | 00                               | See bitfield table |
| Set1 | 70C     | See bits [7:0] of bitfield table | 0000_0000h         |

Table 149. ADC0Mux LR Command Response Format

| Bit     | Bitfield Name | RW | Reset | Description                                     |
|---------|---------------|----|-------|---|
| [31.:3] | Rsvd2         | R  | 0x0   | Reserved  |
| [2]     | SwapEn        | RW | 0x0   | 1= swap left and right channels of this Widget. |
| [1.:0]  | Rsvd1         | R  | 0x0   | Reserved  |

5.13. MasterVol Node (NID = 0x0B)

5.13.1. MasterVol Right

Table 150. MasterVol Right Command Verb Format

|      | Verb ID | Payload                          | Response           |
|------|---------|----------------------------------|--------------------|
| Get  | B80     | 00                               | See bitfield table |
| Set1 | 390     | See bits [7:0] of bitfield table | 0000_0000h         |

Table 151. MasterVol Right Command Response Format

| Bit     | Bitfield Name | RW | Reset | Description                |
|---------|---------------|----|-------|----------------------------|
| [31.:8] | Rsvd2         | R  | 0x0   | Reserved                   |
| [7]     | Mute          | RW | 0x1   | 1= mute is active          |
| [6.:5]  | Rsvd1         | R  | 0x0   | Reserved                   |
| [4.:0]  | Gain          | RW | 0x1F  | Amplifier gain step number |

**5.13.2. MasterVol Left****Table 152. MasterVol Left Command Verb Format**

|             | Verb ID | Payload                          | Response           |
|-------------|---------|----------------------------------|--------------------|
| <b>Get</b>  | BA0     | 00                               | See bitfield table |
| <b>Set1</b> | 3A0     | See bits [7:0] of bitfield table | 0000_0000h         |

**Table 153. MasterVol Left Command Response Format**

| Bit     | Bitfield Name | RW | Reset | Description                |
|---------|---------------|----|-------|----------------------------|
| [31..8] | Rsvd2         | R  | 0x0   | Reserved                   |
| [7]     | Mute          | RW | 0x1   | 1= mute is active          |
| [6..5]  | Rsvd1         | R  | 0x0   | Reserved                   |
| [4..0]  | Gain          | RW | 0x1F  | Amplifier gain step number |

**5.13.3. MasterVol WCap****Table 154. MasterVol WCap Command Verb Format**

|            | Verb ID | Payload | Response           |
|------------|---------|---------|--------------------|
| <b>Get</b> | F00     | 09      | See bitfield table |

**Table 155. MasterVol WCap Command Response Format**

| Bit      | Bitfield Name | RW | Reset | Description                            |
|----------|---------------|----|-------|--|
| [31..24] | Rsvd2         | R  | 0x0   | Reserved                               |
| [23..20] | Type          | R  | 0x3   | Widget type = Audio Selector           |
| [19..16] | Delay         | R  | 0x0   | Number of sample delays through widget |
| [15..12] | Rsvd1         | R  | 0x0   | Reserved                               |
| [11]     | SwapCap       | R  | 0x0   | No left/right channel swap capability  |
| [10]     | PwrCntrl      | R  | 0x0   | No support for Power State control     |
| [9]      | DigitalStrm   | R  | 0x0   | Widget supports an Analog stream       |
| [8]      | ConnList      | R  | 0x1   | Connection list is present             |
| [7]      | UnsolCap      | R  | 0x0   | No support for Unsolicited Response    |



**Table 155. MasterVol WCap Command Response Format**

| Bit | Bitfield Name | RW | Reset | Description  |
|-----|---------------|----|-------|--|
| [6] | ProcWidget    | R  | 0x0   | No Processing Controls parameter.  |
| [5] | Stripe        | R  | 0x0   | No support for striping  |
| [4] | FormatOvr     | R  | 0x0   | No format info; use default format parameters from Audio Function node instead       |
| [3] | AmpParamOvr   | R  | 0x0   | No amplifier info; use default amplifier parameters from Audio Function node instead |
| [2] | OutAmpPrsnt   | R  | 0x1   | Output amp is present  |
| [1] | InAmpPrsnt    | R  | 0x0   | No input amp   |
| [0] | Stereo        | R  | 0x1   | Stereo widget  |

**5.13.4. MasterVol ConnLen**

**Table 156. MasterVol ConnLen Command Verb Format**

|            | Verb ID | Payload | Response           |
|------------|---------|---------|--------------------|
| <b>Get</b> | F00     | 0E      | See bitfield table |

**Table 157. MasterVol ConnLen Command Response Format**

| Bit     | Bitfield Name | RW | Reset | Description  |
|---------|---------------|----|-------|--|
| [31.:8] | Rsvd          | R  | 0x0   | Reserved   |
| [7]     | LongForm      | R  | 0x0   | Connection list uses short-form (7-bit) NID entries. |
| [6.:0]  | N             | R  | 0x01  | Number of NID entries in connection list.            |

### 5.13.5. MasterVol ConnLst

Table 158. MasterVol ConnLst Command Verb Format

|     | Verb ID | Payload | Response           |
|-----|---------|---------|--------------------|
| Get | F02     | 00      | See bitfield table |

Table 159. MasterVol ConnLst Command Response Format

| Bit      | Bitfield Name | RW | Reset | Description        |
|----------|---------------|----|-------|--------------------|
| [31.:24] | Entry3        | R  | 0x00  | Unused list entry. |
| [23.:16] | Entry2        | R  | 0x00  | Unused list entry. |
| [15.:8]  | Entry1        | R  | 0x00  | Unused list entry. |
| [7.:0]   | Entry0        | R  | 0x07  | DAC Mux widget.    |

## 5.14. InPortMux Node (NID = 0x0C)

### 5.14.1. InPortMux VolRight

Table 160. InPortMux VolRight Command Verb Format

|      | Verb ID | Payload                          | Response           |
|------|---------|----------------------------------|--------------------|
| Get  | B80     | 00                               | See bitfield table |
| Set1 | 390     | See bits [7:0] of bitfield table | 0000_0000h         |

Table 161. InPortMux VolRight Command Response Format

| Bit     | Bitfield Name | RW | Reset | Description                |
|---------|---------------|----|-------|----------------------------|
| [31.:3] | Rsvd          | R  | 0x0   | Reserved                   |
| [2.:0]  | Gain          | RW | 0x0   | Amplifier gain step number |

5.14.2. *InPortMux VolLeft*

Table 162. InPortMux VolLeft Command Verb Format

|      | Verb ID | Payload                          | Response           |
|------|---------|----------------------------------|--------------------|
| Get  | BA0     | 00                               | See bitfield table |
| Set1 | 3A0     | See bits [7:0] of bitfield table | 0000_0000h         |

Table 163. InPortMux VolLeft Command Response Format

| Bit     | Bitfield Name | RW | Reset | Description                |
|---------|---------------|----|-------|----------------------------|
| [31.:3] | Rsvd          | R  | 0x0   | Reserved                   |
| [2.:0]  | Gain          | RW | 0x0   | Amplifier gain step number |

5.14.3. *InPortMux WCap*

Table 164. InPortMux WCap Command Verb Format

|     | Verb ID | Payload | Response           |
|-----|---------|---------|--------------------|
| Get | F00     | 09      | See bitfield table |

Table 165. InPortMux WCap Command Response Format

| Bit      | Bitfield Name | RW | Reset | Description                            |
|----------|---------------|----|-------|--|
| [31.:24] | Rsvd2         | R  | 0x0   | Reserved                               |
| [23.:20] | Type          | R  | 0x3   | Widget type = Audio Selector           |
| [19.:16] | Delay         | R  | 0x0   | Number of sample delays through widget |
| [15.:12] | Rsvd1         | R  | 0x0   | Reserved                               |
| [11]     | SwapCap       | R  | 0x0   | No left/right channel swap capability  |
| [10]     | PwrCntrl      | R  | 0x0   | No support for Power State control     |
| [9]      | DigitalStrm   | R  | 0x0   | Widget supports an Analog stream       |
| [8]      | ConnList      | R  | 0x1   | Connection list is present             |
| [7]      | UnsolCap      | R  | 0x0   | No support for Unsolicited Response    |
| [6]      | ProcWidget    | R  | 0x0   | No Processing Controls parameter.      |
| [5]      | Stripe        | R  | 0x0   | No support for striping                |

Table 165. InPortMux WCap Command Response Format

| Bit | Bitfield Name | RW | Reset | Description  |
|-----|---------------|----|-------|--|
| [4] | FormatOvrd    | R  | 0x0   | No format info; use default format parameters from Audio Function node instead |
| [3] | AmpParamOvrd  | R  | 0x1   | This widget contains its own amplifier parameters.                             |
| [2] | OutAmpPrsnt   | R  | 0x1   | Output amp is present  |
| [1] | InAmpPrsnt    | R  | 0x0   | No input amp   |
| [0] | Stereo        | R  | 0x1   | Stereo widget  |

5.14.4. InPortMux ConnLen

Table 166. InPortMux ConnLen Command Verb Format

|     | Verb ID | Payload | Response           |
|-----|---------|---------|--------------------|
| Get | F00     | 0E      | See bitfield table |

Table 167. InPortMux ConnLen Command Response Format

| Bit     | Bitfield Name | RW | Reset | Description  |
|---------|---------------|----|-------|--|
| [31.:8] | Rsvd          | R  | 0x0   | Reserved   |
| [7]     | LongForm      | R  | 0x0   | Connection list uses short-form (7-bit) NID entries. |
| [6.:0]  | N             | R  | 0x05  | Number of NID entries in connection list.            |

5.14.5. InPortMux AmpCap

Table 168. InPortMux AmpCap Command Verb Format

|     | Verb ID | Payload | Response           |
|-----|---------|---------|--------------------|
| Get | F00     | 12      | See bitfield table |

Table 169. InPortMux AmpCap Command Response Format

| Bit      | Bitfield Name | RW | Reset | Description        |
|----------|---------------|----|-------|--------------------|
| [31]     | Mute          | R  | 0x0   | No mute capability |
| [30.:23] | Rsvd3         | R  | 0x0   | Reserved           |

Table 169. InPortMux AmpCap Command Response Format

| Bit      | Bitfield Name | RW | Reset | Description  |
|----------|---------------|----|-------|--|
| [22.:16] | StepSize      | R  | 0x27  | Size of each step in the gain range = 10dB           |
| [15]     | Rsvd2         | R  | 0x0   | Reserved   |
| [14.:8]  | NumSteps      | R  | 0x04  | Number of steps in the gain range = 5 (0dB to +40dB) |
| [7]      | Rsvd1         | R  | 0x0   | Reserved   |
| [6.:0]   | Offset        | R  | 0x00  | 0dB-step is programmed with this offset              |

5.14.6. InPortMux ConnSel

Table 170. InPortMux ConnSel Command Verb Format

|      | Verb ID | Payload                          | Response           |
|------|---------|----------------------------------|--------------------|
| Get  | F01     | 00                               | See bitfield table |
| Set1 | 701     | See bits [7:0] of bitfield table | 0000_0000h         |

Table 171. InPortMux ConnSel Command Response Format

| Bit     | Bitfield Name | RW | Reset | Description                      |
|---------|---------------|----|-------|----------------------------------|
| [31.:3] | Rsvd          | R  | 0x0   | Reserved                         |
| [2.:0]  | Index         | RW | 0x0   | Connection select control index. |

5.14.7. InPortMux ConnLst0

Table 172. InPortMux ConnLst0 Command Verb Format

|     | Verb ID | Payload | Response           |
|-----|---------|---------|--------------------|
| Get | F02     | 00      | See bitfield table |

Table 173. InPortMux ConnLst0 Command Response Format

| Bit      | Bitfield Name | RW | Reset | Description        |
|----------|---------------|----|-------|--------------------|
| [31.:24] | Entry3        | R  | 0x0D  | Port A pin widget. |
| [23.:16] | Entry2        | R  | 0x0E  | Port D pin widget. |

Table 173. InPortMux ConnLst0 Command Response Format

| Bit     | Bitfield Name | RW | Reset | Description        |
|---------|---------------|----|-------|--------------------|
| [15.:8] | Entry1        | R  | 0x0F  | Port C pin widget. |
| [7.:0]  | Entry0        | R  | 0x10  | Port B pin widget. |

5.14.8. InPortMux ConnLst4

Table 174. InPortMux ConnLst4 Command Verb Format

|     | Verb ID | Payload | Response           |
|-----|---------|---------|--------------------|
| Get | F02     | 04      | See bitfield table |

Table 175. InPortMux ConnLst4 Command Response Format

| Bit      | Bitfield Name | RW | Reset | Description        |
|----------|---------------|----|-------|--------------------|
| [31.:24] | Entry3        | R  | 0x00  | Unused list entry. |
| [23.:16] | Entry2        | R  | 0x00  | Unused list entry. |
| [15.:8]  | Entry1        | R  | 0x00  | Unused list entry. |
| [7.:0]   | Entry0        | R  | 0x12  | CDin pin widget.   |

5.15. PortAPin Node (NID = 0x0D)

5.15.1. PortAPin WCap

Table 176. PortAPin WCap Command Verb Format

|     | Verb ID | Payload | Response           |
|-----|---------|---------|--------------------|
| Get | F00     | 09      | See bitfield table |

Table 177. PortAPin WCap Command Response Format

| Bit      | Bitfield Name | RW | Reset | Description                            |
|----------|---------------|----|-------|--|
| [31.:24] | Rsvd2         | R  | 0x0   | Reserved                               |
| [23.:20] | Type          | R  | 0x4   | Widget type = Pin Complex              |
| [19.:16] | Delay         | R  | 0x0   | Number of sample delays through widget |

Table 177. PortAPin WCap Command Response Format

| Bit      | Bitfield Name | RW | Reset | Description   |
|----------|---------------|----|-------|---|
| [15.:12] | Rsvd1         | R  | 0x0   | Reserved  |
| [11]     | SwapCap       | R  | 0x0   | No left/right channel swap capability   |
| [10]     | PwrCntrl      | R  | 0x0   | No support for Power State control  |
| [9]      | DigitalStrm   | R  | 0x0   | Widget supports an Analog stream  |
| [8]      | ConnList      | R  | 0x1   | Connection list is present  |
| [7]      | UnsolCap      | R  | 0x1   | Unsolicited Response is supported   |
| [6]      | ProcWidget    | R  | 0x0   | No Processing Controls parameter  |
| [5]      | Stripe        | R  | 0x0   | No support for striping   |
| [4]      | FormatOvrd    | R  | 0x0   | N/A for pin complex   |
| [3]      | AmpParamOvrd  | R  | 0x0   | No amplifier info; use default amplifier parameters from Audio Function node instead. |
| [2]      | OutAmpPrsnt   | R  | 0x0   | No output amp   |
| [1]      | InAmpPrsnt    | R  | 0x0   | No input amp  |
| [0]      | Stereo        | R  | 0x1   | Stereo widget   |

5.15.2. PortAPin Cap

Table 178. PortAPin Cap Command Verb Format

|     | Verb ID | Payload | Response           |
|-----|---------|---------|--------------------|
| Get | F00     | 0C      | See bitfield table |

Table 179. PortAPin Cap Command Response Format

| Bit      | Bitfield Name | RW | Reset | Description  |
|----------|---------------|----|-------|--|
| [31.:17] | Rsvd2         | R  | 0x0   | Reserved   |
| [16]     | EapdCap       | R  | 0x0   | This widget does not control EAPD pin              |
| [15.:8]  | VRefCntrl     | R  | 0x00  | VRef generation not supported by this pin complex. |
| [7]      | Rsvd1         | R  | 0x0   | Reserved   |
| [6]      | BalancedIO    | R  | 0x0   | Pin complex does not have balanced pins.           |

Table 179. PortAPin Cap Command Response Format

| Bit | Bitfield Name | RW | Reset | Description                                   |
|-----|---------------|----|-------|---|
| [5] | InCap         | R  | 0x1   | Pin complex is input capable.                 |
| [4] | OutCap        | R  | 0x1   | Pin complex is output capable.                |
| [3] | HPhnDrvCap    | R  | 0x1   | Pin complex has headphone amplifier.          |
| [2] | PresDtctCap   | R  | 0x1   | Pin complex can perform Presence Detect.      |
| [1] | TrigRqd       | R  | 0x1   | Trigger is required for impedance measurement |
| [0] | ImpSenseCap   | R  | 0x1   | Pin complex supports impedance sense.         |

### 5.15.3. PortAPin ConnLen

Table 180. PortAPin ConnLen Command Verb Format

|     | Verb ID | Payload | Response           |
|-----|---------|---------|--------------------|
| Get | F00     | 0E      | See bitfield table |

Table 181. PortAPin ConnLen Command Response Format

| Bit     | Bitfield Name | RW | Reset | Description  |
|---------|---------------|----|-------|--|
| [31.:8] | Rsvd          | R  | 0x0   | Reserved.  |
| [7]     | LongForm      | R  | 0x0   | Connection list uses short-form (7-bit) NID entries. |
| [6.:0]  | N             | R  | 0x01  | Number of NID entries in connection list.            |

### 5.15.4. PortAPin ConnLst

Table 182. PortAPin ConnLst Command Verb Format

|     | Verb ID | Payload | Response           |
|-----|---------|---------|--------------------|
| Get | F02     | 00      | See bitfield table |

Table 183. PortAPin ConnLst Command Response Format

| Bit      | Bitfield Name | RW | Reset | Description        |
|----------|---------------|----|-------|--------------------|
| [31.:24] | Entry3        | R  | 0x00  | Unused list entry. |
| [23.:16] | Entry2        | R  | 0x00  | Unused list entry. |



Table 183. PortAPin ConnLst Command Response Format

| Bit     | Bitfield Name | RW | Reset | Description           |
|---------|---------------|----|-------|-----------------------|
| [15.:8] | Entry1        | R  | 0x00  | Unused list entry.    |
| [7.:0]  | Entry0        | R  | 0x0B  | Master Volume widget. |

5.15.5. PortAPin Ctl

Table 184. PortAPin Ctl Command Verb Format

|             | Verb ID | Payload                          | Response           |
|-------------|---------|----------------------------------|--------------------|
| <b>Get</b>  | F07     | 00                               | See bitfield table |
| <b>Set1</b> | 707     | See bits [7:0] of bitfield table | 0000_0000h         |

Table 185. PortAPin Ctl Command Response Format

| Bit     | Bitfield Name | RW | Reset | Description  |
|---------|---------------|----|-------|--|
| [31.:8] | Rsvd2         | R  | 0x0   | Reserved   |
| [7]     | HPhnEn        | RW | 0x0   | 1= enable the low impedance amplifier associated with the output |
| [6]     | OutEn         | RW | 0x0   | 1= (CODEC) output path of Pin Widget is enabled                  |
| [5]     | InEn          | RW | 0x0   | 1= (CODEC) input path of Pin Widget is enabled                   |
| [4.:0]  | Rsvd1         | R  | 0x0   | Reserved   |

**5.15.6. PortAPin UnsolResp****Table 186. PortAPin UnsolResp Command Verb Format**

|             | Verb ID | Payload                          | Response           |
|-------------|---------|----------------------------------|--------------------|
| <b>Get</b>  | F08     | 00                               | See bitfield table |
| <b>Set1</b> | 708     | See bits [7:0] of bitfield table | 0000_0000h         |

**Table 187. PortAPin UnsolResp Command Response Format**

| Bit     | Bitfield Name | RW | Reset | Description   |
|---------|---------------|----|-------|---|
| [31.:8] | Rsvd2         | R  | 0x00  | Reserved  |
| [7]     | En            | RW | 0x0   | Allow generation of Unsolicited Responses. Unsolicited response events occur upon jack-insertion OR completion of a Jack-Sense cycle. |
| [6]     | Rsvd1         | R  | 0x0   | Reserved  |
| [5.:0]  | Tag           | RW | 0x00  | Software programmable field returned in top six bits (31:26) of every Unsolicited Response generated by this node.                    |

**5.15.7. PortAPin Sense****Table 188. PortAPin Sense Command Verb Format**

|             | Verb ID | Payload                           | Response           |
|-------------|---------|-----------------------------------|--------------------|
| <b>Get</b>  | F09     | 00                                | See bitfield table |
| <b>Set1</b> | 709     | See bits [7:0] of bitfield table  | 0000_0000h         |
| <b>Set2</b> | 709     | See bits [15:8] of bitfield table | 0000_0000h         |

**Table 189. PortAPin Sense Command Response Format**

| Bit     | Bitfield Name | RW | Reset       | Description   |
|---------|---------------|----|-------------|---|
| [31]    | Present       | R  | 0x0         | 1= something is plugged into jack associated with Pin Complex.  |
| [30.:0] | Impedance     | R  | 0x7FFF_FFFF | Measured impedance of the widget. A value of all 1's indicates that a valid sense reading is not available, or the sense measurement is busy if it has been recently triggered. Overlaps RightCh. |

Table 189. PortAPin Sense Command Response Format

| Bit | Bitfield Name | RW | Reset | Description  |
|-----|---------------|----|-------|--|
| [0] | RightCh       | W  | 0x0   | Set 1= perform impedance sensing on right channel or ring of the connector |
| [0] | LeftCh        | W  | 0x0   | Set 0= perform impedance sensing on left channel or tip of the connector   |

5.15.8. PortAPin Config

Table 190. PortAPin Config Command Verb Format

|             | Verb ID | Payload                            | Response           |
|-------------|---------|------------------------------------|--------------------|
| <b>Get</b>  | F1C     | 00                                 | See bitfield table |
| <b>Set1</b> | 71C     | See bits [7:0] of bitfield table   | 0000_0000h         |
| <b>Set2</b> | 71D     | See bits [15:8] of bitfield table  | 0000_0000h         |
| <b>Set3</b> | 71E     | See bits [23:16] of bitfield table | 0000_0000h         |
| <b>Set4</b> | 71F     | See bits [31:24] of bitfield table | 0000_0000h         |

Table 191. PortAPin Config Command Response Format

| Bit      | Bitfield Name | RW | Reset | Description   |
|----------|---------------|----|-------|---|
| [31.:30] | Port          | RW | 0x0   | External Port Connectivity of the Pin Complex. 0 = Port Complex is connected to a jack                                      |
| [29.:24] | Location      | RW | 0x02  | Physical location of the jack. 02h = Mainboard, Front   |
| [23.:20] | Device        | RW | 0x2   | Default Device, indicating intended use of jack. 2 = HP Out   |
| [19.:16] | Connection    | RW | 0x1   | Connection Type. 1 = 1/8 inch jack  |
| [15.:12] | Color         | RW | 0x4   | Color of physical jack. 4 = Green   |
| [11.:8]  | Misc          | RW | 0x0   | Misc[0] = Jack Detect override.   |
| [7.:4]   | Assoc         | RW | 0x1   | Default Association for Pin Complex groups. Reserved value 0000b should not be used. Value 1111b indicates lowest priority. |
| [3.:0]   | Sequence      | RW | 0x1   | All Widgets in an association must have unique sequence number.   |

## 5.16. PortDPin Node (NID = 0x0E)

## 5.16.1. PortDPin WCap

Table 192. PortDPin WCap Command Verb Format

|     | Verb ID | Payload | Response           |
|-----|---------|---------|--------------------|
| Get | F00     | 09      | See bitfield table |

Table 193. PortDPin WCap Command Response Format

| Bit      | Bitfield Name | RW | Reset | Description   |
|----------|---------------|----|-------|---|
| [31..24] | Rsvd2         | R  | 0x0   | Reserved  |
| [23..20] | Type          | R  | 0x4   | Widget type = Pin Complex   |
| [19..16] | Delay         | R  | 0x0   | Number of sample delays through widget  |
| [15..12] | Rsvd1         | R  | 0x0   | Reserved  |
| [11]     | SwapCap       | R  | 0x0   | No left/right channel swap capability   |
| [10]     | PwrCntrl      | R  | 0x0   | No support for Power State control  |
| [9]      | DigitalStrm   | R  | 0x0   | Widget supports an Analog stream  |
| [8]      | ConnList      | R  | 0x1   | Connection list is present  |
| [7]      | UnsolCap      | R  | 0x1   | Unsolicited Response is supported   |
| [6]      | ProcWidget    | R  | 0x0   | No Processing Controls parameter  |
| [5]      | Stripe        | R  | 0x0   | No support for striping   |
| [4]      | FormatOvrd    | R  | 0x0   | N/A for pin complex   |
| [3]      | AmpParamOvrd  | R  | 0x0   | No amplifier info; use default amplifier parameters from Audio Function node instead. |
| [2]      | OutAmpPrsnt   | R  | 0x0   | No output amp   |
| [1]      | InAmpPrsnt    | R  | 0x0   | No input amp  |
| [0]      | Stereo        | R  | 0x1   | Stereo widget   |

**5.16.2. PortDPin Cap****Table 194. PortDPin Cap Command Verb Format**

|     | Verb ID | Payload | Response           |
|-----|---------|---------|--------------------|
| Get | F00     | 0C      | See bitfield table |

**Table 195. PortDPin Cap Command Response Format**

| Bit      | Bitfield Name | RW | Reset | Description  |
|----------|---------------|----|-------|--|
| [31..17] | Rsvd2         | R  | 0x0   | Reserved2  |
| [16]     | EapdCap       | R  | 0x0   | This widget does not control EAPD pin              |
| [15..8]  | VRefCntrl     | R  | 0x00  | VRef generation not supported by this pin complex. |
| [7]      | Rsvd1         | R  | 0x0   | Reserved   |
| [6]      | BalancedIO    | R  | 0x0   | Pin complex does not have balanced pins.           |
| [5]      | InCap         | R  | 0x1   | Pin complex is input capable.                      |
| [4]      | OutCap        | R  | 0x1   | Pin complex is output capable.                     |
| [3]      | HPhnDrvCap    | R  | 0x1   | Pin complex has headphone amplifier.               |
| [2]      | PresDtctCap   | R  | 0x1   | Pin complex can perform Presence Detect.           |
| [1]      | TrigRqd       | R  | 0x1   | Trigger is required for impedance measurement      |
| [0]      | ImpSenseCap   | R  | 0x1   | Pin complex supports impedance sense.              |

**5.16.3. PortDPin ConnLen****Table 196. PortDPin ConnLen Command Verb Format**

|     | Verb ID | Payload | Response           |
|-----|---------|---------|--------------------|
| Get | F00     | 0E      | See bitfield table |

**Table 197. PortDPin ConnLen Command Response Format**

| Bit     | Bitfield Name | RW | Reset | Description  |
|---------|---------------|----|-------|--|
| [31..8] | Rsvd          | R  | 0x0   | Reserved.  |
| [7]     | LongForm      | R  | 0x0   | Connection list uses short-form (7-bit) NID entries. |
| [6..0]  | N             | R  | 0x01  | Number of NID entries in connection list.            |

5.16.4. PortDPin ConnLst

Table 198. PortDPin ConnLst Command Verb Format

|     | Verb ID | Payload | Response           |
|-----|---------|---------|--------------------|
| Get | F02     | 00      | See bitfield table |

Table 199. PortDPin ConnLst Command Response Format

| Bit      | Bitfield Name | RW | Reset | Description           |
|----------|---------------|----|-------|-----------------------|
| [31.:24] | Entry3        | R  | 0x00  | Unused list entry.    |
| [23.:16] | Entry2        | R  | 0x00  | Unused list entry.    |
| [15.:8]  | Entry1        | R  | 0x00  | Unused list entry.    |
| [7.:0]   | Entry0        | R  | 0x0B  | Master Volume widget. |

5.16.5. PortDPin Ctl

Table 200. PortDPin Ctl Command Verb Format

|      | Verb ID | Payload                          | Response           |
|------|---------|----------------------------------|--------------------|
| Get  | F07     | 00                               | See bitfield table |
| Set1 | 707     | See bits [7:0] of bitfield table | 0000_0000h         |

Table 201. PortDPin Ctl Command Response Format

| Bit     | Bitfield Name | RW | Reset | Description  |
|---------|---------------|----|-------|--|
| [31.:8] | Rsvd2         | R  | 0x0   | Reserved   |
| [7]     | HPhnEn        | RW | 0x0   | 1= enable the low impedance amplifier associated with the output |
| [6]     | OutEn         | RW | 0x0   | 1= (CODEC) output path of Pin Widget is enabled                  |
| [5]     | InEn          | RW | 0x0   | 1= (CODEC) input path of Pin Widget is enabled                   |
| [4.:0]  | Rsvd1         | R  | 0x0   | Reserved   |

## 5.16.6. PortDPin Unsolicited Response

Table 202. PortDPin Unsolicited Response Command Verb Format

|             | Verb ID | Payload                          | Response           |
|-------------|---------|----------------------------------|--------------------|
| <b>Get</b>  | F08     | 00                               | See bitfield table |
| <b>Set1</b> | 708     | See bits [7:0] of bitfield table | 0000_0000h         |

Table 203. PortDPin Unsolicited Response Command Response Format

| Bit     | Bitfield Name | RW | Reset | Description   |
|---------|---------------|----|-------|---|
| [31..8] | Rsvd2         | R  | 0x00  | Reserved  |
| [7]     | En            | RW | 0x0   | Allow generation of Unsolicited Responses. Unsolicited response events occur upon jack-insertion OR completion of a Jack-Sense cycle. |
| [6]     | Rsvd1         | R  | 0x0   | Reserved  |
| [5..0]  | Tag           | RW | 0x00  | Software programmable field returned in top six bits (31:26) of every Unsolicited Response generated by this node.                    |

## 5.16.7. PortDPin Sense

Table 204. PortDPin Sense Command Verb Format

|             | Verb ID | Payload                           | Response           |
|-------------|---------|-----------------------------------|--------------------|
| <b>Get</b>  | F09     | 00                                | See bitfield table |
| <b>Set1</b> | 709     | See bits [7:0] of bitfield table  | 0000_0000h         |
| <b>Set2</b> | 709     | See bits [15:8] of bitfield table | 0000_0000h         |

Table 205. PortDPin Sense Command Response Format

| Bit     | Bitfield Name | RW | Reset       | Description   |
|---------|---------------|----|-------------|---|
| [31]    | Present       | R  | 0x0         | 1= something is plugged into jack associated with Pin Complex.  |
| [30..0] | Impedance     | R  | 0x7FFF_FFFF | Measured impedance of the widget. A value of all 1's indicates that a valid sense reading is not available, or the sense measurement is busy if it has been recently triggered. Overlaps RightCh. |

Table 205. PortDPin Sense Command Response Format

| Bit | Bitfield Name | RW | Reset | Description  |
|-----|---------------|----|-------|--|
| [0] | RightCh       | W  | 0x0   | Set 1= perform impedance sensing on right channel or ring of the connector |
| [0] | LeftCh        | W  | 0x0   | Set 0= perform impedance sensing on left channel or tip of the connector   |

5.16.8. PortDPin Config

Table 206. PortDPin Config Command Verb Format

|             | Verb ID | Payload                            | Response           |
|-------------|---------|------------------------------------|--------------------|
| <b>Get</b>  | F1C     | 00                                 | See bitfield table |
| <b>Set1</b> | 71C     | See bits [7:0] of bitfield table   | 0000_0000h         |
| <b>Set2</b> | 71D     | See bits [15:8] of bitfield table  | 0000_0000h         |
| <b>Set3</b> | 71E     | See bits [23:16] of bitfield table | 0000_0000h         |
| <b>Set4</b> | 71F     | See bits [31:24] of bitfield table | 0000_0000h         |

Table 207. PortDPin Config Command Response Format

| Bit      | Bitfield Name | RW | Reset | Description   |
|----------|---------------|----|-------|---|
| [31.:30] | Port          | RW | 0x0   | External Port Connectivity of the Pin Complex. 0 = Port Complex is connected to a jack                                      |
| [29.:24] | Location      | RW | 0x01  | Physical location of the jack. 01h = Mainboard, Rear  |
| [23.:20] | Device        | RW | 0x0   | Default Device, indicating intended use of jack. 0 = Line Out   |
| [19.:16] | Connection    | RW | 0x1   | Connection Type. 1 = 1/8 inch jack  |
| [15.:12] | Color         | RW | 0x4   | Color of physical jack. 4 = Green   |
| [11.:8]  | Misc          | RW | 0x0   | Misc[0] = Jack Detect override.   |
| [7.:4]   | Assoc         | RW | 0x1   | Default Association for Pin Complex groups. Reserved value 0000b should not be used. Value 1111b indicates lowest priority. |
| [3.:0]   | Sequence      | RW | 0x0   | All Widgets in an association must have unique sequence number.   |



## 5.17. PortCPin Node (NID = 0x0F)

## 5.17.1. PortCPin WCap

Table 208. PortCPin WCap Command Verb Format

|     | Verb ID | Payload | Response           |
|-----|---------|---------|--------------------|
| Get | F00     | 09      | See bitfield table |

Table 209. PortCPin WCap Command Response Format

| Bit      | Bitfield Name | RW | Reset | Description   |
|----------|---------------|----|-------|---|
| [31..24] | Rsvd2         | R  | 0x0   | Reserved  |
| [23..20] | Type          | R  | 0x4   | Widget type = Pin Complex   |
| [19..16] | Delay         | R  | 0x0   | Number of sample delays through widget  |
| [15..12] | Rsvd1         | R  | 0x0   | Reserved  |
| [11]     | SwapCap       | R  | 0x0   | No left/right channel swap capability   |
| [10]     | PwrCntrl      | R  | 0x0   | No support for Power State control  |
| [9]      | DigitalStrm   | R  | 0x0   | Widget supports an Analog stream  |
| [8]      | ConnList      | R  | 0x1   | Connection list is present  |
| [7]      | UnsolCap      | R  | 0x1   | Unsolicited Response is supported   |
| [6]      | ProcWidget    | R  | 0x0   | No Processing Controls parameter  |
| [5]      | Stripe        | R  | 0x0   | No support for striping   |
| [4]      | FormatOvrd    | R  | 0x0   | N/A for pin complex   |
| [3]      | AmpParamOvrd  | R  | 0x0   | No amplifier info; use default amplifier parameters from Audio Function node instead. |
| [2]      | OutAmpPrsnt   | R  | 0x0   | No output amp   |
| [1]      | InAmpPrsnt    | R  | 0x0   | No input amp  |
| [0]      | Stereo        | R  | 0x1   | Stereo widget   |

5.17.2. PortCPin Cap

Table 210. PortCPin Cap Command Verb Format

|     | Verb ID | Payload | Response           |
|-----|---------|---------|--------------------|
| Get | F00     | 0C      | See bitfield table |

Table 211. PortCPin Cap Command Response Format

| Bit      | Bitfield Name | RW | Reset | Description  |
|----------|---------------|----|-------|--|
| [31.:17] | Rsvd2         | R  | 0x0   | Reserved2  |
| [16]     | EapdCap       | R  | 0x0   | This widget does not control EAPD pin              |
| [15.:8]  | VRefCntrl     | R  | 0x00  | VRef generation not supported by this pin complex. |
| [7]      | Rsvd1         | R  | 0x0   | Reserved   |
| [6]      | BalancedIO    | R  | 0x0   | Pin complex does not have balanced pins.           |
| [5]      | InCap         | R  | 0x1   | Pin complex is input capable.                      |
| [4]      | OutCap        | R  | 0x1   | Pin complex is output capable.                     |
| [3]      | HPhnDrvCap    | R  | 0x0   | Pin does not have a headphone amplifier.           |
| [2]      | PresDtctCap   | R  | 0x1   | Pin complex can perform Presence Detect.           |
| [1]      | TrigRqd       | R  | 0x1   | Trigger is required for impedance measurement      |
| [0]      | ImpSenseCap   | R  | 0x1   | Pin complex supports impedance sense.              |

5.17.3. PortCPin ConnLen

Table 212. PortCPin ConnLen Command Verb Format

|     | Verb ID | Payload | Response           |
|-----|---------|---------|--------------------|
| Get | F00     | 0E      | See bitfield table |

Table 213. PortCPin ConnLen Command Response Format

| Bit     | Bitfield Name | RW | Reset | Description  |
|---------|---------------|----|-------|--|
| [31.:8] | Rsvd          | R  | 0x0   | Reserved   |
| [7]     | LongForm      | R  | 0x0   | Connection list uses short-form (7-bit) NID entries. |
| [6.:0]  | N             | R  | 0x01  | Number of NID entries in connection list.            |

5.17.4. PortCPin ConnLst

Table 214. PortCPin ConnLst Command Verb Format

|     | Verb ID | Payload | Response           |
|-----|---------|---------|--------------------|
| Get | F02     | 00      | See bitfield table |

Table 215. PortCPin ConnLst Command Response Format

| Bit      | Bitfield Name | RW | Reset | Description           |
|----------|---------------|----|-------|-----------------------|
| [31.:24] | Entry3        | R  | 0x00  | Unused list entry.    |
| [23.:16] | Entry2        | R  | 0x00  | Unused list entry.    |
| [15.:8]  | Entry1        | R  | 0x00  | Unused list entry.    |
| [7.:0]   | Entry0        | R  | 0x0B  | Master Volume widget. |

5.17.5. PortCPin Ctl

Table 216. PortCPin Ctl Command Verb Format

|      | Verb ID | Payload                          | Response           |
|------|---------|----------------------------------|--------------------|
| Get  | F07     | 00                               | See bitfield table |
| Set1 | 707     | See bits [7:0] of bitfield table | 0000_0000h         |

Table 217. PortCPin Ctl Command Response Format

| Bit     | Bitfield Name | RW | Reset | Description                                     |
|---------|---------------|----|-------|---|
| [31.:7] | Rsvd2         | R  | 0x0   | Reserved  |
| [6]     | OutEn         | RW | 0x0   | 1= (CODEC) output path of Pin Widget is enabled |
| [5]     | InEn          | RW | 0x1   | 1= (CODEC) input path of Pin Widget is enabled  |
| [4.:0]  | Rsvd1         | R  | 0x0   | Reserved  |

## 5.17.6. PortCPin Unsolicited Response

Table 218. PortCPin Unsolicited Response Command Verb Format

|      | Verb ID | Payload                          | Response           |
|------|---------|----------------------------------|--------------------|
| Get  | F08     | 00                               | See bitfield table |
| Set1 | 708     | See bits [7:0] of bitfield table | 0000_0000h         |

Table 219. PortCPin Unsolicited Response Command Response Format

| Bit     | Bitfield Name | RW | Reset | Description   |
|---------|---------------|----|-------|---|
| [31..8] | Rsvd2         | R  | 0x00  | Reserved  |
| [7]     | En            | RW | 0x0   | Allow generation of Unsolicited Responses. Unsolicited response events occur upon jack-insertion OR completion of a Jack-Sense cycle. |
| [6]     | Rsvd1         | R  | 0x0   | Reserved  |
| [5..0]  | Tag           | RW | 0x00  | Software programmable field returned in top six bits (31:26) of every Unsolicited Response generated by this node.                    |

## 5.17.7. PortCPin Sense

Table 220. PortCPin Sense Command Verb Format

|      | Verb ID | Payload                           | Response           |
|------|---------|-----------------------------------|--------------------|
| Get  | F09     | 00                                | See bitfield table |
| Set1 | 709     | See bits [7:0] of bitfield table  | 0000_0000h         |
| Set2 | 709     | See bits [15:8] of bitfield table | 0000_0000h         |

Table 221. PortCPin Sense Command Response Format

| Bit     | Bitfield Name | RW | Reset       | Description   |
|---------|---------------|----|-------------|---|
| [31]    | Present       | R  | 0x0         | 1= something is plugged into jack associated with Pin Complex.  |
| [30..0] | Impedance     | R  | 0x7FFF_FFFF | Measured impedance of the widget. A value of all 1's indicates that a valid sense reading is not available, or the sense measurement is busy if it has been recently triggered. Overlaps RightCh. |

Table 221. PortCPin Sense Command Response Format

| Bit | Bitfield Name | RW | Reset | Description  |
|-----|---------------|----|-------|--|
| [0] | RightCh       | W  | 0x0   | Set 1= perform impedance sensing on right channel or ring of the connector |
| [0] | LeftCh        | W  | 0x0   | Set 0= perform impedance sensing on left channel or tip of the connector   |

5.17.8. PortCPin Config

Table 222. PortCPin Config Command Verb Format

|             | Verb ID | Payload                            | Response           |
|-------------|---------|------------------------------------|--------------------|
| <b>Get</b>  | F1C     | 00                                 | See bitfield table |
| <b>Set1</b> | 71C     | See bits [7:0] of bitfield table   | 0000_0000h         |
| <b>Set2</b> | 71D     | See bits [15:8] of bitfield table  | 0000_0000h         |
| <b>Set3</b> | 71E     | See bits [23:16] of bitfield table | 0000_0000h         |
| <b>Set4</b> | 71F     | See bits [31:24] of bitfield table | 0000_0000h         |

Table 223. PortCPin Config Command Response Format

| Bit      | Bitfield Name | RW | Reset | Description   |
|----------|---------------|----|-------|---|
| [31..30] | Port          | RW | 0x0   | External Port Connectivity of the Pin Complex. 0 = Port Complex is connected to a jack                                      |
| [29..24] | Location      | RW | 0x01  | Physical location of the jack. 03h = Mainboard, Rear  |
| [23..20] | Device        | RW | 0x8   | Default Device, indicating intended use of jack. 8 = Line In  |
| [19..16] | Connection    | RW | 0x1   | Connection Type. 1 = 1/8 inch jack  |
| [15..12] | Color         | RW | 0x3   | Color of physical jack. 3 = Blue  |
| [11..8]  | Misc          | RW | 0x0   | Misc[0] = Jack Detect override.   |
| [7..4]   | Assoc         | RW | 0x2   | Default Association for Pin Complex groups. Reserved value 0000b should not be used. Value 1111b indicates lowest priority. |
| [3..0]   | Sequence      | RW | 0x1   | All Widgets in an association must have unique sequence number.   |

## 5.18. PortBPin Node (NID = 0x10)

### 5.18.1. PortBPin WCap

Table 224. PortBPin WCap Command Verb Format

|     | Verb ID | Payload | Response           |
|-----|---------|---------|--------------------|
| Get | F00     | 09      | See bitfield table |

Table 225. PortBPin WCap Command Response Format

| Bit      | Bitfield Name | RW | Reset | Description   |
|----------|---------------|----|-------|---|
| [31..24] | Rsvd2         | R  | 0x0   | Reserved  |
| [23..20] | Type          | R  | 0x4   | Widget type = Pin Complex   |
| [19..16] | Delay         | R  | 0x0   | Number of sample delays through widget  |
| [15..12] | Rsvd1         | R  | 0x0   | Reserved  |
| [11]     | SwapCap       | R  | 0x0   | No left/right channel swap capability   |
| [10]     | PwrCntrl      | R  | 0x0   | No support for Power State control  |
| [9]      | DigitalStrm   | R  | 0x0   | Widget supports an Analog stream  |
| [8]      | ConnList      | R  | 0x1   | Connection list is present  |
| [7]      | UnsolCap      | R  | 0x1   | Unsolicited Response is supported   |
| [6]      | ProcWidget    | R  | 0x0   | No Processing Controls parameter  |
| [5]      | Stripe        | R  | 0x0   | No support for striping   |
| [4]      | FormatOvrd    | R  | 0x0   | N/A for pin complex   |
| [3]      | AmpParamOvrd  | R  | 0x0   | No amplifier info; use default amplifier parameters from Audio Function node instead. |
| [2]      | OutAmpPrsnt   | R  | 0x0   | No output amp   |
| [1]      | InAmpPrsnt    | R  | 0x0   | No input amp  |
| [0]      | Stereo        | R  | 0x1   | Stereo widget   |

5.18.2. PortBPin Cap

Table 226. PortBPin Cap Command Verb Format

|     | Verb ID | Payload | Response           |
|-----|---------|---------|--------------------|
| Get | F00     | 0C      | See bitfield table |

Table 227. PortBPin Cap Command Response Format

| Bit      | Bitfield Name | RW | Reset | Description   |
|----------|---------------|----|-------|---|
| [31.:17] | Rsvd2         | R  | 0x0   | Reserved  |
| [16]     | EapdCap       | R  | 0x0   | This widget does not control EAPD pin   |
| [15.:8]  | VRefCntrl     | R  | 0x17  | VRef generation is supported by this pin complex, and the following voltages can be produced on the associated VRef pin: 80% Avdd; 50% Avdd; GND; Hi-Z (required since pin complex is output capable) |
| [7]      | Rsvd1         | R  | 0x0   | Reserved  |
| [6]      | BalancedIO    | R  | 0x0   | Pin complex does not have balanced pins.  |
| [5]      | InCap         | R  | 0x1   | Pin complex is input capable.   |
| [4]      | OutCap        | R  | 0x1   | Pin complex is output capable.  |
| [3]      | HPhnDrvCap    | R  | 0x0   | Pin does not have a headphone amplifier.  |
| [2]      | PresDtctCap   | R  | 0x1   | Pin complex can perform Presence Detect.  |
| [1]      | TrigRqd       | R  | 0x1   | Trigger is required for impedance measurement   |
| [0]      | ImpSenseCap   | R  | 0x1   | Pin complex supports impedance sense.   |

**5.18.3. PortBPin ConnLen**

**Table 228. PortBPin ConnLen Command Verb Format**

|     | Verb ID | Payload | Response           |
|-----|---------|---------|--------------------|
| Get | F00     | 0E      | See bitfield table |

**Table 229. PortBPin ConnLen Command Response Format**

| Bit     | Bitfield Name | RW | Reset | Description  |
|---------|---------------|----|-------|--|
| [31.:8] | Rsvd          | R  | 0x0   | Reserved.  |
| [7]     | LongForm      | R  | 0x0   | Connection list uses short-form (7-bit) NID entries. |
| [6.:0]  | N             | R  | 0x01  | Number of NID entries in connection list.            |

**5.18.4. PortBPin ConnLst**

**Table 230. PortBPin ConnLst Command Verb Format**

|     | Verb ID | Payload | Response           |
|-----|---------|---------|--------------------|
| Get | F02     | 00      | See bitfield table |

**Table 231. PortBPin ConnLst Command Response Format**

| Bit      | Bitfield Name | RW | Reset | Description           |
|----------|---------------|----|-------|-----------------------|
| [31.:24] | Entry3        | R  | 0x00  | Unused list entry.    |
| [23.:16] | Entry2        | R  | 0x00  | Unused list entry.    |
| [15.:8]  | Entry1        | R  | 0x00  | Unused list entry.    |
| [7.:0]   | Entry0        | R  | 0x0B  | Master Volume widget. |



## 5.18.5. PortBPin Ctl

Table 232. PortBPin Ctl Command Verb Format

|      | Verb ID | Payload                          | Response           |
|------|---------|----------------------------------|--------------------|
| Get  | F07     | 00                               | See bitfield table |
| Set1 | 707     | See bits [7:0] of bitfield table | 0000_0000h         |

Table 233. PortBPin Ctl Command Response Format

| Bit     | Bitfield Name | RW | Reset | Description   |
|---------|---------------|----|-------|---|
| [31.:7] | Rsvd2         | R  | 0x0   | Reserved  |
| [6]     | OutEn         | RW | 0x0   | 1= (CODEC) output path of Pin Widget is enabled   |
| [5]     | InEn          | RW | 0x1   | 1= (CODEC) input path of Pin Widget is enabled  |
| [4.:3]  | Rsvd1         | R  | 0x0   | Reserved  |
| [2.:0]  | VRefSelect    | RW | 0x0   | VRefEn: Selects one of the possible states for the VRef signal associated with the Pin Widget. If the value written to this control does not correspond to a supported value defined in the VRefCntrl field of the Pin Capabilities parameter (0C), then this control will take the value of 000b (Hi-Z). |

## 5.18.6. PortBPin UnsolResp

Table 234. PortBPin UnsolResp Command Verb Format

|      | Verb ID | Payload                          | Response           |
|------|---------|----------------------------------|--------------------|
| Get  | F08     | 00                               | See bitfield table |
| Set1 | 708     | See bits [7:0] of bitfield table | 0000_0000h         |

Table 235. PortBPin UnsolResp Command Response Format

| Bit     | Bitfield Name | RW | Reset | Description   |
|---------|---------------|----|-------|---|
| [31.:8] | Rsvd2         | R  | 0x00  | Reserved  |
| [7]     | En            | RW | 0x0   | Allow generation of Unsolicited Responses. Unsolicited response events occur upon jack-insertion OR completion of a Jack-Sense cycle. |

Table 235. PortBPin UnsolResp Command Response Format

| Bit    | Bitfield Name | RW | Reset | Description  |
|--------|---------------|----|-------|--|
| [6]    | Rsvd1         | R  | 0x0   | Reserved   |
| [5.:0] | Tag           | RW | 0x00  | Software programmable field returned in top six bits (31:26) of every Unsolicited Response generated by this node. |

5.18.7. PortBPin Sense

Table 236. PortBPin Sense Command Verb Format

|             | Verb ID | Payload                           | Response           |
|-------------|---------|-----------------------------------|--------------------|
| <b>Get</b>  | F09     | 00                                | See bitfield table |
| <b>Set1</b> | 709     | See bits [7:0] of bitfield table  | 0000_0000h         |
| <b>Set2</b> | 709     | See bits [15:8] of bitfield table | 0000_0000h         |

Table 237. PortBPin Sense Command Response Format

| Bit     | Bitfield Name | RW | Reset       | Description   |
|---------|---------------|----|-------------|---|
| [31]    | Present       | R  | 0x0         | 1= something is plugged into jack associated with Pin Complex.  |
| [30.:0] | Impedance     | R  | 0x7FFF_FFFF | Measured impedance of the widget. A value of all 1's indicates that a valid sense reading is not available, or the sense measurement is busy if it has been recently triggered. Overlaps RightCh. |
| [0]     | RightCh       | W  | 0x0         | Set 1= perform impedance sensing on right channel or ring of the connector  |
| [0]     | LeftCh        | W  | 0x0         | Set 0= perform impedance sensing on left channel or tip of the connector  |

## 5.18.8. PortBPin Config

Table 238. PortBPin Config Command Verb Format

|             | Verb ID | Payload                            | Response           |
|-------------|---------|------------------------------------|--------------------|
| <b>Get</b>  | F1C     | 00                                 | See bitfield table |
| <b>Set1</b> | 71C     | See bits [7:0] of bitfield table   | 0000_0000h         |
| <b>Set2</b> | 71D     | See bits [15:8] of bitfield table  | 0000_0000h         |
| <b>Set3</b> | 71E     | See bits [23:16] of bitfield table | 0000_0000h         |
| <b>Set4</b> | 71F     | See bits [31:24] of bitfield table | 0000_0000h         |

Table 239. PortBPin Config Command Response Format

| Bit      | Bitfield Name | RW | Reset | Description   |
|----------|---------------|----|-------|---|
| [31.:30] | Port          | RW | 0x0   | External Port Connectivity of the Pin Complex. 0 = Port Complex is connected to a jack                                      |
| [29.:24] | Location      | RW | 0x02  | Physical location of the jack. 02h = Mainboard, Front   |
| [23.:20] | Device        | RW | 0xA   | Default Device, indicating intended use of jack. A = Mic In   |
| [19.:16] | Connection    | RW | 0x1   | Connection Type. 1 = 1/8 inch jack  |
| [15.:12] | Color         | RW | 0x9   | Color of physical jack. 9 = Pink  |
| [11.:8]  | Misc          | RW | 0x0   | Misc[0] = Jack Detect override.   |
| [7.:4]   | Assoc         | RW | 0x2   | Default Association for Pin Complex groups. Reserved value 0000b should not be used. Value 1111b indicates lowest priority. |
| [3.:0]   | Sequence      | RW | 0x0   | All Widgets in an association must have unique sequence number.   |

## 5.19. MonoOutPin Node (NID = 0x11)

### 5.19.1. MonoOutPin Vol

Table 240. MonoOutPin Vol Command Verb Format

|      | Verb ID | Payload                          | Response           |
|------|---------|----------------------------------|--------------------|
| Get  | BA0     | 00                               | See bitfield table |
| Set1 | 3A0     | See bits [7:0] of bitfield table | 0000_0000h         |

Table 241. MonoOutPin Vol Command Response Format

| Bit     | Bitfield Name | RW | Reset | Description                            |
|---------|---------------|----|-------|--|
| [31..8] | Rsvd2         | R  | 0x0   | Reserved                               |
| [7]     | Mute          | RW | 0x1   | 1= mute is active                      |
| [6..5]  | Rsvd1         | R  | 0x0   | Reserved                               |
| [4..0]  | Gain          | RW | 0x1F  | Mono (left) amplifier gain step number |

### 5.19.2. MonoOutPin WCap

Table 242. MonoOutPin WCap Command Verb Format

|     | Verb ID | Payload | Response           |
|-----|---------|---------|--------------------|
| Get | F00     | 09      | See bitfield table |

Table 243. MonoOutPin WCap Command Response Format

| Bit      | Bitfield Name | RW | Reset | Description                            |
|----------|---------------|----|-------|--|
| [31..24] | Rsvd2         | R  | 0x0   | Reserved                               |
| [23..20] | Type          | R  | 0x4   | Widget type = Pin Complex              |
| [19..16] | Delay         | R  | 0x0   | Number of sample delays through widget |
| [15..12] | Rsvd1         | R  | 0x0   | Reserved                               |
| [11]     | SwapCap       | R  | 0x0   | No left/right channel swap capability  |
| [10]     | PwrCntrl      | R  | 0x0   | No support for Power State control     |
| [9]      | DigitalStrm   | R  | 0x0   | Widget supports an Analog stream       |

Table 243. MonoOutPin WCap Command Response Format

| Bit | Bitfield Name | RW | Reset | Description   |
|-----|---------------|----|-------|---|
| [8] | ConnList      | R  | 0x1   | Connection list is present  |
| [7] | UnsolCap      | R  | 0x0   | No support for Unsolicited Response   |
| [6] | ProcWidget    | R  | 0x0   | No Processing Controls parameter  |
| [5] | Stripe        | R  | 0x0   | No support for striping   |
| [4] | FormatOvrd    | R  | 0x0   | N/A for pin complex   |
| [3] | AmpParamOvrd  | R  | 0x0   | No amplifier info; use default amplifier parameters from Audio Function node instead. |
| [2] | OutAmpPrsnt   | R  | 0x1   | Output amp is present   |
| [1] | InAmpPrsnt    | R  | 0x0   | No input amp  |
| [0] | Stereo        | R  | 0x0   | Mono widget   |

5.19.3. MonoOutPin Cap

Table 244. MonoOutPin Cap Command Verb Format

|     | Verb ID | Payload | Response           |
|-----|---------|---------|--------------------|
| Get | F00     | 0C      | See bitfield table |

Table 245. MonoOutPin Cap Command Response Format

| Bit      | Bitfield Name | RW | Reset | Description   |
|----------|---------------|----|-------|---|
| [31..17] | Rsvd2         | R  | 0x0   | Reserved  |
| [16]     | EapdCap       | R  | 0x0   | This widget does not control EAPD pin                       |
| [15..8]  | VRefCntrl     | R  | 0x00  | VRef generation N/A since pin complex is not input capable. |
| [7]      | Rsvd1         | R  | 0x0   | Reserved  |
| [6]      | BalancedIO    | R  | 0x0   | Pin complex does not have balanced pins.                    |
| [5]      | InCap         | R  | 0x0   | Pin complex is not input capable.                           |
| [4]      | OutCap        | R  | 0x1   | Pin complex is output capable.                              |
| [3]      | HPhnDrvCap    | R  | 0x0   | Pin does not have a headphone amplifier.                    |

Table 245. MonoOutPin Cap Command Response Format

| Bit | Bitfield Name | RW | Reset | Description                                   |
|-----|---------------|----|-------|---|
| [2] | PresDtctCap   | R  | 0x0   | Pin complex cannot perform Presence Detect.   |
| [1] | TrigRqd       | R  | 0x0   | N/A   |
| [0] | ImpSenseCap   | R  | 0x0   | Pin complex does not support impedance sense. |

#### 5.19.4. MonoOutPin ConnLen

Table 246. MonoOutPin ConnLen Command Verb Format

|     | Verb ID | Payload | Response           |
|-----|---------|---------|--------------------|
| Get | F00     | 0E      | See bitfield table |

Table 247. MonoOutPin ConnLen Command Response Format

| Bit     | Bitfield Name | RW | Reset | Description  |
|---------|---------------|----|-------|--|
| [31.:8] | Rsvd          | R  | 0x0   | Reserved   |
| [7]     | LongForm      | R  | 0x0   | Connection list uses short-form (7-bit) NID entries. |
| [6.:0]  | N             | R  | 0x01  | Number of NID entries in connection list.            |

#### 5.19.5. MonoOutPin ConnLst

Table 248. MonoOutPin ConnLst Command Verb Format

|     | Verb ID | Payload | Response           |
|-----|---------|---------|--------------------|
| Get | F02     | 00      | See bitfield table |

Table 249. MonoOutPin ConnLst Command Response Format

| Bit      | Bitfield Name | RW | Reset | Description         |
|----------|---------------|----|-------|---------------------|
| [31.:24] | Entry3        | R  | 0x00  | Unused list entry.  |
| [23.:16] | Entry2        | R  | 0x00  | Unused list entry.  |
| [15.:8]  | Entry1        | R  | 0x00  | Unused list entry.  |
| [7.:0]   | Entry0        | R  | 0x13  | MonoOut Mix widget. |

**5.19.6. MonoOutPin Ctl****Table 250. MonoOutPin Ctl Command Verb Format**

|             | Verb ID | Payload                          | Response           |
|-------------|---------|----------------------------------|--------------------|
| <b>Get</b>  | F07     | 00                               | See bitfield table |
| <b>Set1</b> | 707     | See bits [7:0] of bitfield table | 0000_0000h         |

**Table 251. MonoOutPin Ctl Command Response Format**

| Bit     | Bitfield Name | RW | Reset | Description                                     |
|---------|---------------|----|-------|---|
| [31.:7] | Rsvd2         | R  | 0x0   | Reserved  |
| [6]     | OutEn         | RW | 0x0   | 1= (CODEC) output path of Pin Widget is enabled |
| [5.:0]  | Rsvd1         | R  | 0x0   | Reserved  |

**5.19.7. MonoOutPin Config****Table 252. MonoOutPin Config Command Verb Format**

|             | Verb ID | Payload                            | Response           |
|-------------|---------|------------------------------------|--------------------|
| <b>Get</b>  | F1C     | 00                                 | See bitfield table |
| <b>Set1</b> | 71C     | See bits [7:0] of bitfield table   | 0000_0000h         |
| <b>Set2</b> | 71D     | See bits [15:8] of bitfield table  | 0000_0000h         |
| <b>Set3</b> | 71E     | See bits [23:16] of bitfield table | 0000_0000h         |
| <b>Set4</b> | 71F     | See bits [31:24] of bitfield table | 0000_0000h         |

**Table 253. MonoOutPin Config Command Response Format**

| Bit      | Bitfield Name | RW | Reset | Description  |
|----------|---------------|----|-------|--|
| [31.:30] | Port          | RW | 0x1   | External Port Connectivity of the Pin Complex.<br>1 = no physical connection |
| [29.:24] | Location      | RW | 0x10  | Physical location of the jack. 10h = Internal, N/A                           |
| [23.:20] | Device        | RW | 0x1   | Default Device, indicating intended use of jack.<br>1 = Speaker              |
| [19.:16] | Connection    | RW | 0x7   | Connection Type. 7 = Other Analog  |

Table 253. MonoOutPin Config Command Response Format

| Bit      | Bitfield Name | RW | Reset | Description   |
|----------|---------------|----|-------|---|
| [15.:12] | Color         | RW | 0x0   | Color of physical jack. 0 = Unknown   |
| [11.:8]  | Misc          | RW | 0x0   | Misc[0] = Jack Detect override.   |
| [7.:4]   | Assoc         | RW | 0x1   | Default Association for Pin Complex groups. Reserved value 0000b should not be used. Value 1111b indicates lowest priority. |
| [3.:0]   | Sequence      | RW | 0x3   | All Widgets in an association must have unique sequence number.   |

5.20. CDPin Node (NID = 0x12)

5.20.1. CDPin WCap

Table 254. CDPin WCap Command Verb Format

|     | Verb ID | Payload | Response           |
|-----|---------|---------|--------------------|
| Get | F00     | 09      | See bitfield table |

Table 255. CDPin WCap Command Response Format

| Bit      | Bitfield Name | RW | Reset | Description                            |
|----------|---------------|----|-------|--|
| [31.:24] | Rsvd2         | R  | 0x0   | Reserved                               |
| [23.:20] | Type          | R  | 0x4   | Widget type = Pin Complex              |
| [19.:16] | Delay         | R  | 0x0   | Number of sample delays through widget |
| [15.:12] | Rsvd1         | R  | 0x0   | Reserved                               |
| [11]     | SwapCap       | R  | 0x0   | No left/right channel swap capability  |
| [10]     | PwrCntrl      | R  | 0x0   | No support for Power State control     |
| [9]      | DigitalStrm   | R  | 0x0   | Widget supports an Analog stream       |
| [8]      | ConnList      | R  | 0x0   | No connection list is present          |
| [7]      | UnsolCap      | R  | 0x0   | No support for Unsolicited Response    |
| [6]      | ProcWidget    | R  | 0x0   | No Processing Controls parameter       |
| [5]      | Stripe        | R  | 0x0   | No support for striping                |



Table 255. CDPin WCap Command Response Format

| Bit | Bitfield Name | RW | Reset | Description   |
|-----|---------------|----|-------|---|
| [4] | FormatOvrd    | R  | 0x0   | N/A for pin complex   |
| [3] | AmpParamOvrd  | R  | 0x0   | No amplifier info; use default amplifier parameters from Audio Function node instead. |
| [2] | OutAmpPrsnt   | R  | 0x0   | No output amp   |
| [1] | InAmpPrsnt    | R  | 0x0   | No input amp  |
| [0] | Stereo        | R  | 0x1   | Stereo widget   |

5.20.2. CDPin Cap

Table 256. CDPin Cap Command Verb Format

|     | Verb ID | Payload | Response           |
|-----|---------|---------|--------------------|
| Get | F00     | 0C      | See bitfield table |

Table 257. CDPin Cap Command Response Format

| Bit      | Bitfield Name | RW | Reset | Description  |
|----------|---------------|----|-------|--|
| [31..17] | Rsvd2         | R  | 0x0   | Reserved   |
| [16]     | EapdCap       | R  | 0x0   | This widget does not control EAPD pin              |
| [15..8]  | VRefCntrl     | R  | 0x00  | VRef generation not supported by this pin complex. |
| [7]      | Rsvd1         | R  | 0x0   | Reserved   |
| [6]      | BalancedIO    | R  | 0x0   | Pin complex does not have balanced pins.           |
| [5]      | InCap         | R  | 0x1   | Pin complex is input capable.                      |
| [4]      | OutCap        | R  | 0x0   | Pin complex is not output capable.                 |
| [3]      | HPhnDrvCap    | R  | 0x0   | Pin does not have a headphone amplifier.           |
| [2]      | PresDtctCap   | R  | 0x0   | Pin complex cannot perform Presence Detect.        |
| [1]      | TrigRqd       | R  | 0x0   | N/A  |
| [0]      | ImpSenseCap   | R  | 0x0   | Pin complex does not support impedance sense.      |

5.20.3. CDPin Ctl

Table 258. CDPin Ctl Command Verb Format

|      | Verb ID | Payload                          | Response           |
|------|---------|----------------------------------|--------------------|
| Get  | F07     | 00                               | See bitfield table |
| Set1 | 707     | See bits [7:0] of bitfield table | 0000_0000h         |

Table 259. CDPin Ctl Command Response Format

| Bit     | Bitfield Name | RW | Reset | Description   |
|---------|---------------|----|-------|---|
| [31.:6] | Rsvd2         | R  | 0x0   | Reserved  |
| [5]     | InEn          | RW | 0x1   | 1= (CODEC) input path of Pin Widget is enabled (un-muted) |
| [4.:0]  | Rsvd1         | R  | 0x0   | Reserved  |

5.20.4. CDPin Config

Table 260. CDPin Config Command Verb Format

|      | Verb ID | Payload                            | Response           |
|------|---------|------------------------------------|--------------------|
| Get  | F1C     | 00                                 | See bitfield table |
| Set1 | 71C     | See bits [7:0] of bitfield table   | 0000_0000h         |
| Set2 | 71D     | See bits [15:8] of bitfield table  | 0000_0000h         |
| Set3 | 71E     | See bits [23:16] of bitfield table | 0000_0000h         |
| Set4 | 71F     | See bits [31:24] of bitfield table | 0000_0000h         |

Table 261. CDPin Config Command Response Format

| Bit      | Bitfield Name | RW | Reset | Description  |
|----------|---------------|----|-------|--|
| [31.:30] | Port          | RW | 0x2   | External Port Connectivity of the Pin Complex. 2 = fixed function device |
| [29.:24] | Location      | RW | 0x10  | Physical location of the jack. 10h = Internal, N/A                       |
| [23.:20] | Device        | RW | 0x3   | Default Device, indicating intended use of jack. 3 = CD                  |
| [19.:16] | Connection    | RW | 0x3   | Connection Type. 3 = ATAPI internal                                      |

Table 261. CDPin Config Command Response Format

| Bit      | Bitfield Name | RW | Reset | Description   |
|----------|---------------|----|-------|---|
| [15.:12] | Color         | RW | 0x0   | Color of physical jack. 0 = Unknown   |
| [11.:8]  | Misc          | RW | 0x0   | Misc[0] = Jack Detect override.   |
| [7.:4]   | Assoc         | RW | 0x2   | Default Association for Pin Complex groups. Reserved value 0000b should not be used. Value 1111b indicates lowest priority. |
| [3.:0]   | Sequence      | RW | 0x2   | All Widgets in an association must have unique sequence number.   |

5.21. MonoOutMix Node (NID = 0x13)

5.21.1. MonoOutMix WCap

Table 262. MonoOutMix WCap Command Verb Format

|     | Verb ID | Payload | Response           |
|-----|---------|---------|--------------------|
| Get | F00     | 09      | See bitfield table |

Table 263. MonoOutMix WCap Command Response Format

| Bit      | Bitfield Name | RW | Reset | Description                                       |
|----------|---------------|----|-------|---|
| [31.:24] | Rsvd2         | R  | 0x0   | Reserved  |
| [23.:20] | Type          | R  | 0x2   | Widget type = Audio Mixer                         |
| [19.:16] | Delay         | R  | 0x0   | Number of sample delays through widget            |
| [15.:12] | Rsvd1         | R  | 0x0   | Reserved  |
| [11]     | SwapCap       | R  | 0x0   | Swapping of left and right channels not supported |
| [10]     | PwrCntrl      | R  | 0x0   | No support for Power State control                |
| [9]      | DigitalStrm   | R  | 0x0   | Widget supports an Analog stream                  |
| [8]      | ConnList      | R  | 0x1   | Connection list is present                        |
| [7]      | UnsolCap      | R  | 0x0   | No support for Unsolicited Response               |
| [6]      | ProcWidget    | R  | 0x0   | No Processing Controls parameter.                 |
| [5]      | Stripe        | R  | 0x0   | No support for striping                           |

Table 263. MonoOutMix WCap Command Response Format

| Bit | Bitfield Name | RW | Reset | Description  |
|-----|---------------|----|-------|--|
| [4] | FormatOvrd    | R  | 0x0   | No format info; use default format parameters from Audio Function node instead       |
| [3] | AmpParamOvrd  | R  | 0x0   | No amplifier info; use default amplifier parameters from Audio Function node instead |
| [2] | OutAmpPrsnt   | R  | 0x0   | No output amp  |
| [1] | InAmpPrsnt    | R  | 0x0   | No input amp   |
| [0] | Stereo        | R  | 0x0   | Mono widget  |

5.21.2. MonoOutMix ConnLen

Table 264. MonoOutMix ConnLen Command Verb Format

|     | Verb ID | Payload | Response           |
|-----|---------|---------|--------------------|
| Get | F00     | 0E      | See bitfield table |

Table 265. MonoOutMix ConnLen Command Response Format

| Bit     | Bitfield Name | RW | Reset | Description  |
|---------|---------------|----|-------|--|
| [31.:8] | Rsvd          | R  | 0x0   | Reserved.  |
| [7]     | LongForm      | R  | 0x0   | Connection list uses short-form (7-bit) NID entries. |
| [6.:0]  | N             | R  | 0x01  | Number of NID entries in connection list.            |

5.21.3. *MonoOutMix ConnLst*

Table 266. MonoOutMix ConnLst Command Verb Format

|     | Verb ID | Payload | Response           |
|-----|---------|---------|--------------------|
| Get | F02     | 00      | See bitfield table |

Table 267. MonoOutMix ConnLst Command Response Format

| Bit      | Bitfield Name | RW | Reset | Description        |
|----------|---------------|----|-------|--------------------|
| [31.:24] | Entry3        | R  | 0x00  | Unused list entry. |
| [23.:16] | Entry2        | R  | 0x00  | Unused list entry. |
| [15.:8]  | Entry1        | R  | 0x00  | Unused list entry. |
| [7.:0]   | Entry0        | R  | 0x07  | DAC Mux widget.    |

## 5.22. PCBeep Node (NID = 0x14)

5.22.1. *PCBeep Vol*

Table 268. PCBeep Vol Command Verb Format

|      | Verb ID | Payload                          | Response           |
|------|---------|----------------------------------|--------------------|
| Get  | BA0     | 00                               | See bitfield table |
| Set1 | 3A0     | See bits [7:0] of bitfield table | 0000_0000h         |

Table 269. PCBeep Vol Command Response Format

| Bit     | Bitfield Name | RW | Reset | Description                            |
|---------|---------------|----|-------|--|
| [31.:8] | Rsvd2         | R  | 0x0   | Reserved                               |
| [7]     | Mute          | RW | 0x1   | 1= mute is active                      |
| [6.:2]  | Rsvd1         | R  | 0x0   | Reserved                               |
| [1.:0]  | Gain          | RW | 0x3   | Mono (left) amplifier gain step number |

5.22.2. *PCBeep WCap*

Table 270. PCBeep WCap Command Verb Format

|     | Verb ID | Payload | Response           |
|-----|---------|---------|--------------------|
| Get | F00     | 09      | See bitfield table |

Table 271. PCBeep WCap Command Response Format

| Bit      | Bitfield Name | RW | Reset | Description  |
|----------|---------------|----|-------|--|
| [31.:24] | Rsvd3         | R  | 0x0   | Reserved   |
| [23.:20] | Type          | R  | 0x7   | Widget type = Beep Generator                       |
| [19.:4]  | Rsvd2         | R  | 0x0   | Reserved   |
| [3]      | AmpParamOvrđ  | R  | 0x1   | This widget contains its own amplifier parameters. |
| [2]      | OutAmpPrsnt   | R  | 0x1   | Output amp is present                              |
| [1]      | InAmpPrsnt    | R  | 0x0   | N/A  |
| [0]      | Stereo        | R  | 0x0   | Mono widget  |

5.22.3. *PCBeep OutAmpCap*

Table 272. PCBeep OutAmpCap Command Verb Format

|     | Verb ID | Payload | Response           |
|-----|---------|---------|--------------------|
| Get | F00     | 12      | See bitfield table |

Table 273. PCBeep OutAmpCap Command Response Format

| Bit      | Bitfield Name | RW | Reset | Description  |
|----------|---------------|----|-------|--|
| [31]     | Mute          | R  | 0x1   | Amplifier is capable of muting                       |
| [30.:23] | Rsvd3         | R  | 0x0   | Reserved   |
| [22.:16] | StepSize      | R  | 0x17  | Size of each step in the gain range = 6 dB           |
| [15]     | Rsvd2         | R  | 0x0   | Reserved   |
| [14.:8]  | NumSteps      | R  | 0x03  | Number of steps in the gain range = 4 (-18dB to 0dB) |

Table 273. PCBeep OutAmpCap Command Response Format

| Bit    | Bitfield Name | RW | Reset | Description                             |
|--------|---------------|----|-------|---|
| [7]    | Rsvd1         | R  | 0x0   | Reserved                                |
| [6.:0] | Offset        | R  | 0x03  | 0dB-step is programmed with this offset |

5.22.4. PCBeep Gen

Table 274. PCBeep Gen Command Verb Format

|      | Verb ID | Payload                          | Response           |
|------|---------|----------------------------------|--------------------|
| Get  | F0A     | 00                               | See bitfield table |
| Set1 | 70A     | See bits [7:0] of bitfield table | 0000_0000h         |

Table 275. PCBeep Gen Command Response Format

| Bit     | Bitfield Name | RW | Reset | Description   |
|---------|---------------|----|-------|---|
| [31.:8] | Rsvd          | R  | 0x0   | Reserved  |
| [7.:0]  | Divider       | RW | 0x00  | <p>Enable internal PC-Beep generation. Divider = 00h disables internal PC Beep generation and enables normal operation of the CODEC.</p> <p>Divider not equal to 00h generates the beep tone on all Pin Complexes that are currently configured as outputs.</p> <p>The Azalia spec states that the beep tone frequency = (48 KHz Azalia SYNC rate) / (4*Divider), producing tones from 47 Hz to 12 KHz (logarithmic scale). Instead, this part generates tones with frequency = 48000 * (257 - Divider) / 1024, yielding a linear range from 12 KHz to 93.75 Hz in steps of 46.875 Hz. If JackSenseVSR[Rate2x], then the beep tones generated have frequency = 48000 * (513 - Divider) / 1024, yielding a range of 24 KHz to 12093.75 Hz in steps of 46.875 Hz.</p> |

## STAC9200

### 2-Channel High Definition Audio Codec

---

## 6. ORDERING INFORMATION

### 6.1. STAC9200 Family Options and Part Order Numbers

The +4V Analog voltage is supported by the +5 V version of the STAC9200.

| Part Order Number | Voltage | DAC SNR | Pkg Pins |
|-------------------|---------|---------|----------|
| STAC9200X5TAEyy   | 5 V     | 100dB   | 48 LQFP  |
| STAC9200X5NAEyy   | 5 V     | 100dB   | 32 QFN   |
| STAC9200X3TAEyy   | 3.3 V   | 100dB   | 48 LQFP  |
| STAC9200X3NAEyy   | 3.3 V   | 100dB   | 32 QFN   |

NOTE: When ordering these parts the “yy” will be replaced with the CODEC revision. Add an “R” to the end of any of these part numbers for delivery on Tape and Reel. The minimum order quantity for Tape and Reel is 2,000 units for both package options.

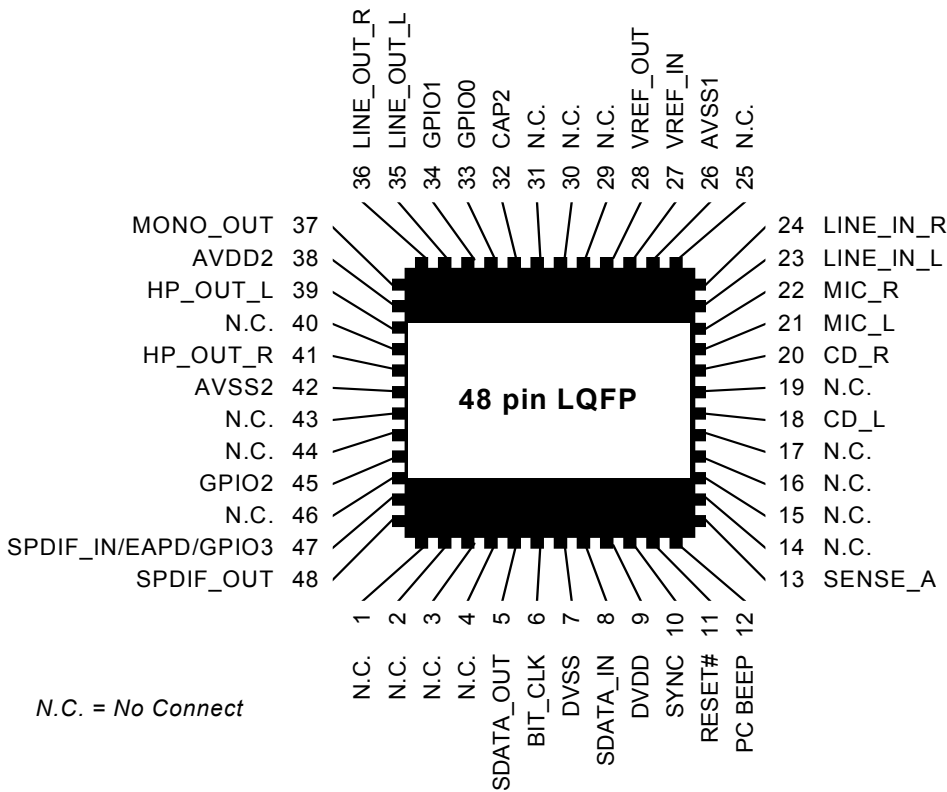
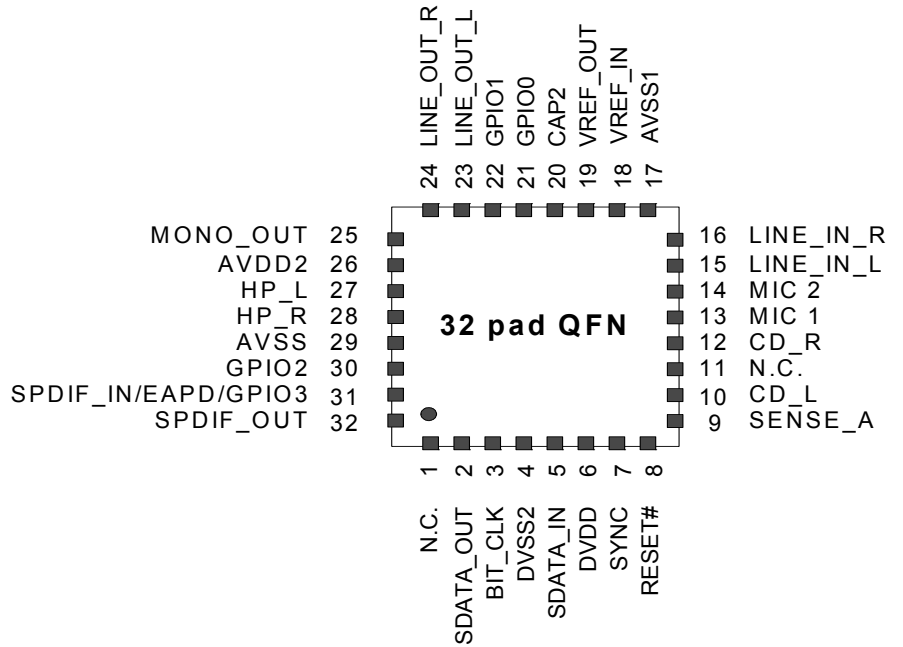


# STAC9200

## 2-Channel High Definition Audio Codec

### 7. PIN INFORMATION

#### 7.1. Pin Out



N.C. = No Connect

# STAC9200

## 2-Channel High Definition Audio Codec

### 7.2. Pin Table for 48-pin LQFP and 32-pad QFN Packages

| Pin Name   | Pin Function   | I/O          | Internal Pull-up/<br>Pull-down | LQFP 48-pin Location | QFN 32-pin Location |
|------------|--|--------------|--------------------------------|----------------------|---------------------|
| NC         | No Connect   | -            | -                              | 1                    | -                   |
| NC         | No Connect   | -            | -                              | 2                    | 1                   |
| NC         | No Connect   | -            | -                              | 3                    | -                   |
| NC         | No Connect   | -            | -                              | 4                    | -                   |
| SDATA_OUT  | High Definition Audio "Azalia" Serial Data output (inbound stream) | I (Digital)  | None                           | 5                    | 2                   |
| BIT_CLK    | High Definition Audio "Azalia" Bit Clock                           | I(Digital)   | Pull-down                      | 6                    | 3                   |
| DVSS       | Digital Ground   | I(Digital)   | None                           | 7                    | 4                   |
| SDATA_IN   | High Definition Audio "Azalia" Serial Data input (outbound stream) | I/O(Digital) | Pull-down                      | 8                    | 5                   |
| DVDD_CORE3 | Digital Vdd = 3.3 V  | I(Digital)   | None                           | 9                    | 6                   |
| SYNC       | High Definition Audio "Azalia" Frame Sync                          | I(Digital)   | Pull-down                      | 10                   | 7                   |
| RESET#     | High Definition Audio "Azalia" Reset                               | I(Digital)   | Pull-down                      | 11                   | 8                   |
| PC Beep    | PC Beep  | I(Analog)    | -                              | 12                   | -                   |
| Sense A    | Jack insertion detection Ports A, B, C, D                          | I(Analog)    | None                           | 13                   | 9                   |
| NC         | No Connect   | -            | -                              | 14                   | -                   |
| NC         | No Connect   | -            | -                              | 15                   | -                   |
| NC         | No Connect   | -            | -                              | 16                   | -                   |
| NC         | No Connect   | -            | -                              | 17                   | -                   |
| CD-L       | CD Audio Left Channel  | I(Analog)    | None                           | 18                   | 10                  |
| NC         | No Connect   | -            | -                              | 19                   | 11                  |
| CD-R       | CD Audio Right Channel   | I(Analog)    | None                           | 20                   | 12                  |
| Port B-L   | Analog I/O   | I/O(Analog)  | None                           | 21                   | 13                  |
| Port B-R   | Analog I/O   | I/O(Analog)  | None                           | 22                   | 14                  |
| Port C-L   | Analog I/O   | I/O(Analog)  | None                           | 23                   | 15                  |
| Port C-R   | Analog I/O   | I/O(Analog)  | None                           | 24                   | 16                  |
| NC         | No Connect   | -            | -                              | 25                   | -                   |
| AVSS1      | Analog Ground  | I(Analog)    | None                           | 26                   | 17                  |
| VREF IN    | Reference Voltage In drive   | I(Analog)    | None                           | 27                   | 18                  |
| VREFOUT    | Reference Voltage Out drive  | O(Analog)    | None                           | 28                   | 19                  |
| NC         | No Connect   | -            | -                              | 29                   | -                   |
| NC         | No Connect   | -            | -                              | 30                   | -                   |
| NC         | No Connect   | -            | -                              | 31                   | -                   |
| CAP2       | ADC reference Cap  | O(Analog)    | None                           | 32                   | 20                  |
| GPIO0*     | General Purpose I/O/Mic Bias                                       | I/O(Analog)  | Pull-up 50 K $\Omega$          | 33                   | 21                  |
| GPIO1*     | General Purpose I/O/Mic Bias                                       | I/O(Analog)  | Pull-up 50 K $\Omega$          | 34                   | 22                  |

# STAC9200

## 2-Channel High Definition Audio Codec

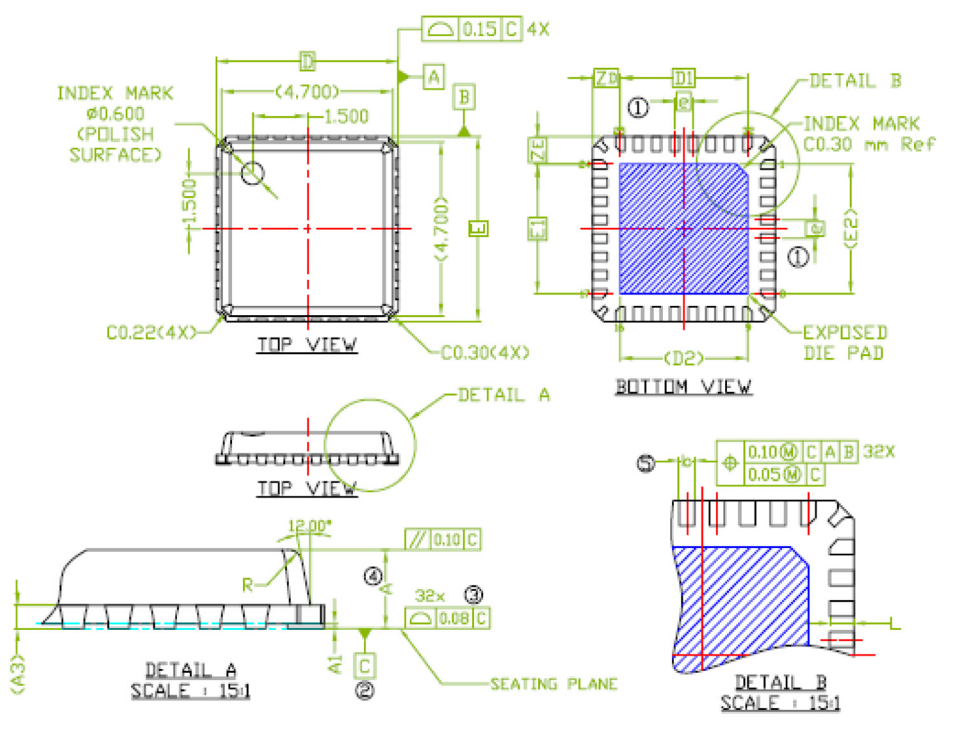
| Pin Name                 | Pin Function   | I/O  | Internal Pull-up/<br>Pull-down      | LQFP<br>48-pin<br>Location | QFN<br>32-pin<br>Location |
|--------------------------|--|--|-------------------------------------|----------------------------|---------------------------|
| Port D-L                 | Analog I/O with HP support   | I/O(Analog2-<br>Channel<br>High<br>Definition<br>Audio<br>codec) | None                                | 35                         | 23                        |
| Port D-R                 | Analog I/O with HP support   | I/O(Analog)  | None                                | 36                         | 24                        |
| MONO                     | Mono Out from DAC  | O(Analog)  | None                                | 37                         | 25                        |
| AVDD2                    | Analog Vdd = 5.0 V or 3.3 V  | I(Analog)  | None                                | 38                         | 26                        |
| Port A-L                 | Analog I/O with HP support   | I/O(Analog)  | None                                | 39                         | 27                        |
| NC                       | No Connect   | -  | -                                   | 40                         | -                         |
| Port A-R                 | Analog I/O with HP support   | I/O(Analog)  | None                                | 41                         | 28                        |
| AVSS2                    | Analog Ground  | I(Analog)  | None                                | 42                         | 29                        |
| NC                       | No Connect   | -  | -                                   | 43                         | -                         |
| NC                       | No Connect   | -  | -                                   | 44                         | -                         |
| GPIO2*                   | General Purpose I/O /Mic Bias  | I/O(Digital)   | Pull-up 50 K $\Omega$               | 45                         | 30                        |
| NC                       | No Connect   | -  | -                                   | 46                         | -                         |
| S/PDIFIN/EAPD/<br>GPIO3* | SPDIF Input, External Amplifier Power Down,<br>General Purpose I/O /Mic Bias | I/O(Digital)   | None                                | 47                         | 31                        |
| S/PDIF-OUT               | SPDIF digital output<br>(50 K $\Omega$ internal pull-down)                   | O(Digital)   | 50 K $\Omega$ internal<br>pull-down | 48                         | 32                        |

\* GPIO Pins can also be used for Microphone Bias.

8. PACKAGE DRAWINGS

8.1. 32-pin QFN

Figure 3. 32-Pad QFN Package Outline and Package Dimensions



| Key | QFN Dimensions in mm |      |      |
|-----|----------------------|------|------|
|     | Min                  | Nom  | Max  |
| A   | -                    | 0.80 | 0.90 |
| A1  | 0                    | 0.02 | 0.05 |
| A3  | 0.20 REF.            |      |      |
| b   | 0.18                 | 0.25 | 0.30 |
| D   | 5.00 BSC             |      |      |
| D1  | 3.50 BSC             |      |      |
| E   | 5.00 BSC             |      |      |
| E1  | 3.50 BSC             |      |      |
| e   | 0.50 BSC             |      |      |
| L   | 0.30                 | 0.40 | 0.50 |
| D2  | 3.20                 | 3.50 | 3.60 |
| E2  | 3.20                 | 3.50 | 3.60 |
| ZD  | 0.75 BSC             |      |      |
| ZE  | 0.75 BSC             |      |      |
| R   | 0.20~0.25            |      |      |

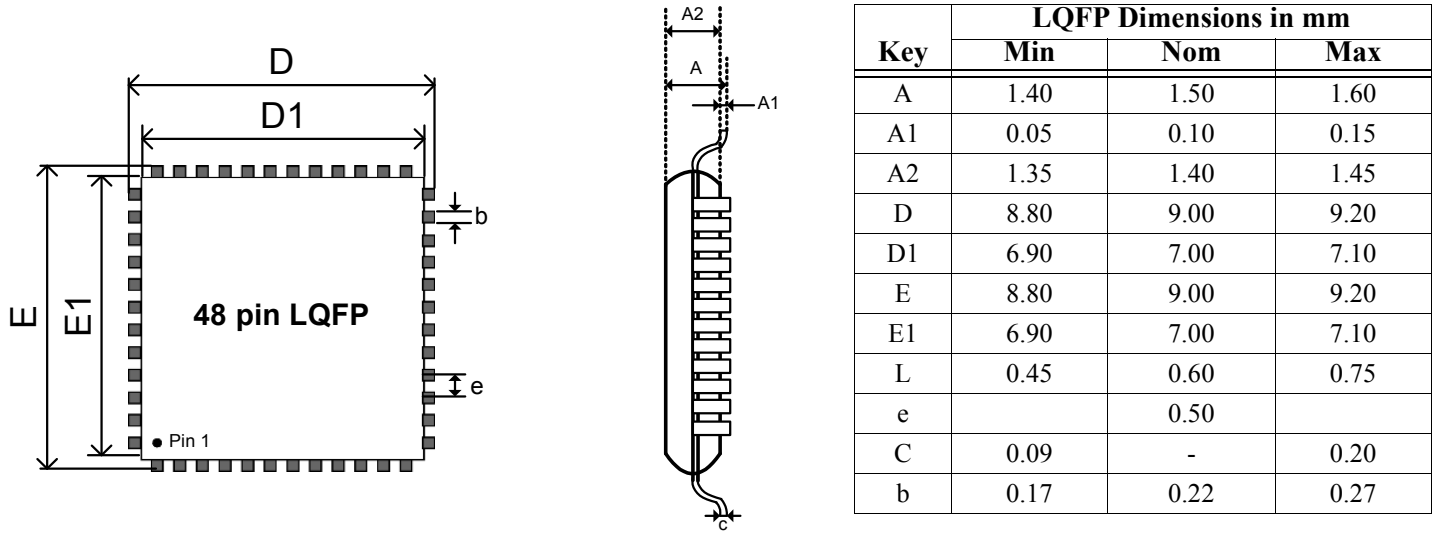
Note:

- ① 'e' REPRESENTS THE BASIC TERMINAL PITCH.
- ② SPECIFIES THE TRUE GEOMETRIC POSITION OF THE TERMINAL AXIS.
- ③ DATUM 'C' IS THE MOUNTING SURFACE, WITH WHICH THE PACKAGE IS IN CONTACT.
- ④ SPECIFIES THE VERTICAL SHIFT OF THE FLAT PART OF EACH TERMINAL FROM THE MOUNTING SURFACE.
- ⑤ DIMENSION 'A' INCLUDES PACKAGE WARPAGE.
- ⑥ DIMENSION 'b' APPLIES TO METALLIZED TERMINAL AND IS MEASURED BETWEEN 0.15mm AND 0.30mm FROM TERMINAL TOP. IF THE TERMINAL HAS THE OPTIONAL RADIUS ON THE OTHER END OF THE TERMINAL, THE DIMENSION 'b' SHOULD NOT BE MEASURED IN THE RADIUS AREA.
- ⑦ PACKAGE DIMENSIONS CONFORM TO JEDEC MO-220 REV.1, VARIATIONS VHHD-5, EXCEPT FOR D2 & E2.

NOTE: For more information on the QFN please see TSI QFN Application Note.

8.2. 48-Pin LQFP

Figure 4. 48-Pin LQFP Package Outline and Package Dimensions



9. SOLDER REFLOW PROFILE

9.1. Standard Reflow Profile Data

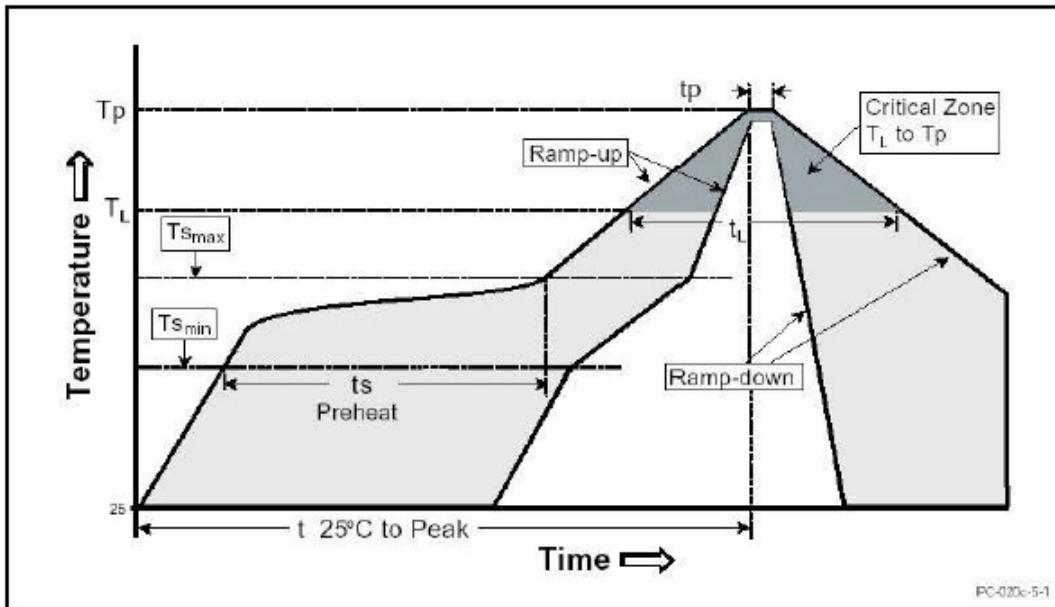
Note: These devices can be hand soldered at 360 °C for 3 to 5 seconds.

FROM: IPC / JEDEC J-STD-020C "Moisture/Reflow Sensitivity Classification for Nonhermetic Solid State Surface Mount Devices" (www.jedec.org/download).

| Profile Feature   | Pb Free Assembly  |
|---|---|
| Average Ramp-Up Rate ( $T_{s_{max}} - T_p$ )  | 3 °C / second max   |
| Preheat<br>Temperature Min ( $T_{s_{min}}$ )<br>Temperature Max ( $T_{s_{max}}$ )<br>Time ( $t_{s_{min}} - t_{s_{max}}$ ) | 150 °C<br>200 °C<br>60 - 180 seconds                          |
| Time maintained above<br>Temperature ( $T_L$ )<br>Time ( $t_L$ )  | 217 °C<br>60 - 150 seconds                                    |
| Peak / Classification Temperature ( $T_p$ )   | See "Package Classification Reflow Temperatures" on page 124. |
| Time within 5 °C of actual Peak Temperature ( $t_p$ )   | 20 - 40 seconds   |
| Ramp-Down rate  | 6 °C / second max   |
| Time 25 °C to Peak Temperature  | 8 minutes max   |

**Note: All temperatures refer to topside of the package, measured on the package body surface.**

Figure 5. Solder Reflow Profile



# STAC9200

## 2-Channel High Definition Audio Codec

### 9.2. Pb Free Process - Package Classification Reflow Temperatures

| Package Type | MSL | Reflow Temperature |
|--------------|-----|--------------------|
| LQFP 48-pin  | 3   | 260 °C*            |
| QFN 32-pad   | 3   | 260 °C*            |

# STAC9200

## 2-Channel High Definition Audio Codec

### 10. REVISION HISTORY

| Revision | Date            | Description of Change  |
|----------|-----------------|--|
|          |                 | <b>For STAC9200/9200D Revision CA1</b>   |
| 0.5      | September 2004  | Initial release.   |
| 0.6      | November 2004   | Updated the Connection Diagrams  |
| 0.7      | November 2004   | Added Widget Tables  |
| 0.8      | December 2004   | Added 5V Analog Performance Characteristics Table  |
|          |                 | <b>FOR STAC9200/9200D Revision CB1</b>   |
| 0.9      | January 2005    | Updated LQFP Package Drawing. Updated QFN Drawing. Updated Reflow profile information. Updated Widget Information- This is for the B1 revision of STAC9200/9200D.  |
| 0.91     | February 2005   | Added Ordering Information. Updated Reflow profile.  |
| 0.92     | April 2005      | Added Dolby part numbers, description and differences section, Added 5V Analog Performance Numbers with note about min/max, Added Power Consumption, Added 4V Analog supply information, Added comment for allowing GPIO to be used as microphone bias |
| 0.93     | July 2005       | Added in 3.3V Analog performance numbers. Added in 4V performance numbers. Replaced reflow profile- this was only for visual purposes. No changes were made to the Data.   |
| 1.0      |                 | Updated logo   |
| 1.1      |                 | Removed "Preliminary". Added Section 7.4 "Audio Jack Presence Detect."   |
| 1.2      | June 2006       | Updated 32-pad Package Drawing   |
| 1.3      | 10 October 2006 | Released in TSI format.  |
| 1.4      | December 2006   | Updated AIDD Max spec  |
| 1.5      | April 2007      | Corrected 32QFN diagram, removed typical connection diagrams as the reference design should be used instead. Updated table of contents, list of tables and figures.  |
| 1.6      | Jan 2008        | removed STAC9200D option, as EOL notice issued Jan 2008.   |
| 1.7      | May 2012        | Corrected SDATA I/O assignments in pin table. Removed Confidential footer  |
| 1.8      | October 2014    | Released in TSI format   |



# STAC9200

## 2-Channel High Definition Audio Codec

---



[www.temposemi.com](http://www.temposemi.com)  
8627 N. MoPac Expwy Suite 130  
Austin, Texas 78759

DISCLAIMER Tempo Semiconductor, Inc. (TSI) and its subsidiaries reserve the right to modify the products and/or specifications described herein at any time and at TSI's sole discretion. All information in this document, including descriptions of product features and performance, is subject to change without notice. Performance specifications and the operating parameters of the described products are determined in the independent state and are not guaranteed to perform the same way when installed in customer products. The information contained herein is provided without representation or warranty of any kind, whether express or implied, including, but not limited to, the suitability of TSI's products for any particular purpose, an implied warranty of merchantability, or non-infringement of the intellectual property rights of others. This document is presented only as a guide and does not convey any license under intellectual property rights of TSI or any third parties.

TSI's products are not intended for use in life support systems or similar devices where the failure or malfunction of an TSI product can be reasonably expected to significantly affect the health or safety of users. Anyone using an TSI product in such a manner does so at their own risk, absent an express, written agreement by TSI.

Tempo Semiconductor, TSI and the TSI logo are registered trademarks of TSI. Other trademarks and service marks used herein, including protected names, logos and designs, are the property of TSI or their respective third party owners.

Copyright 2014. All rights reserved.



Компания «ЭлектроПласт» предлагает заключение долгосрочных отношений при поставках импортных электронных компонентов на взаимовыгодных условиях!

Наши преимущества:

- Оперативные поставки широкого спектра электронных компонентов отечественного и импортного производства напрямую от производителей и с крупнейших мировых складов;
- Поставка более 17-ти миллионов наименований электронных компонентов;
- Поставка сложных, дефицитных, либо снятых с производства позиций;
- Оперативные сроки поставки под заказ (от 5 рабочих дней);
- Экспресс доставка в любую точку России;
- Техническая поддержка проекта, помощь в подборе аналогов, поставка прототипов;
- Система менеджмента качества сертифицирована по Международному стандарту ISO 9001;
- Лицензия ФСБ на осуществление работ с использованием сведений, составляющих государственную тайну;
- Поставка специализированных компонентов (Xilinx, Altera, Analog Devices, Intersil, Interpoint, Microsemi, Aeroflex, Peregrine, Syfer, Eurofarad, Texas Instrument, Miteq, Cobham, E2V, MA-COM, Hittite, Mini-Circuits, General Dynamics и др.);

Помимо этого, одним из направлений компании «ЭлектроПласт» является направление «Источники питания». Мы предлагаем Вам помощь Конструкторского отдела:

- Подбор оптимального решения, техническое обоснование при выборе компонента;
- Подбор аналогов;
- Консультации по применению компонента;
- Поставка образцов и прототипов;
- Техническая поддержка проекта;
- Защита от снятия компонента с производства.



#### Как с нами связаться

**Телефон:** 8 (812) 309 58 32 (многоканальный)

**Факс:** 8 (812) 320-02-42

**Электронная почта:** [org@eplast1.ru](mailto:org@eplast1.ru)

**Адрес:** 198099, г. Санкт-Петербург, ул. Калинина, дом 2, корпус 4, литера А.