

PLEASE CHECK WWW.MOLEX.COM FOR LATEST PART INFORMATION

Part Number: [0365040051](#)
Status: **Active**
Overview: [din_41612](#)
Description: 2.54mm (.100") Pitch C Style Male Header, Right Angle, Through Hole, 0.3 µm(12µ") Selective Gold (Au), 64 Circuits, First-Mate-Last-Break Pins, with Mounting Clips, Lead Free

Documents:

[3D Model](#) [Product Specification PS-36502-001 \(PDF\)](#)
[Drawing \(PDF\)](#) [RoHS Certificate of Compliance \(PDF\)](#)

General

Product Family	Backplane Connectors
Series	36504
Application	Daughtercard
Comments	With Mounting Clips, with Premating Contact Positions
Component Type	PCB Header
Overview	din_41612
Product Name	IEC 603-2/DIN 41612
Style	C

Physical

Circuits (Loaded)	64
Circuits (maximum)	64
Circuits Detail	Standard Contacts at: a2-a31; c2-c31 . Premating Contacts at: a1,a32,c1,c32
Color - Resin	Gray
Durability (mating cycles max)	50
First Mate / Last Break	Yes
Guide to Mating Part	No
Keying to Mating Part	Yes
Material - Metal	Brass
Material - Plating Mating	Gold
Material - Plating Termination	Tin
Material - Resin	Polyester
Number of Columns	32
Number of Pairs	Open Pin Field
Number of Rows	2
Orientation	Right Angle
PC Tail Length (in)	0.118 In
PC Tail Length (mm)	3.00 mm
PCB Locator	No
PCB Retention	Yes
PCB Thickness Recommended (in)	0.062 In
PCB Thickness Recommended (mm)	1.60 mm
Packaging Type	Carton
Pitch - Mating Interface (in)	0.100 In
Pitch - Mating Interface (mm)	2.54 mm
Pitch - Term. Interface (in)	0.100 In
Pitch - Term. Interface (mm)	2.54 mm
Plating min: Mating (µin)	12
Plating min: Mating (µm)	0.30
Plating min: Termination (µin)	98
Plating min: Termination (µm)	2.5
Polarized to PCB	Yes
Stackable	No

EU RoHS

**ELV and RoHS
Compliant**
**REACH SVHC
Not Reviewed**
**Halogen-Free
Status**

China RoHS



Not Reviewed

Need more information on product environmental compliance?

Email productcompliance@molex.com
 For a multiple part number RoHS Certificate of Compliance, [click here](#)

Please visit the [Contact Us](#) section for any non-product compliance questions.

Search Parts in this Series

[36504Series](#)

Surface Mount Compatible (SMC)	No
Temperature Range - Operating	-55°C to +125°C
Termination Interface: Style	Through Hole

Electrical

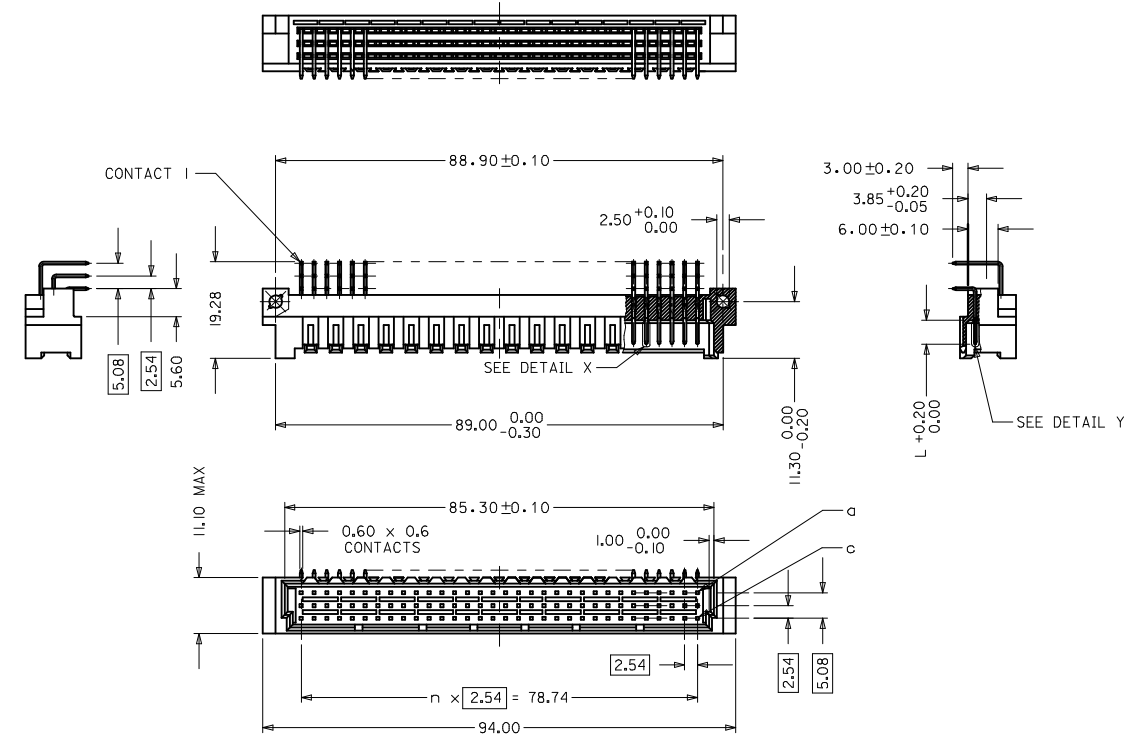
Current - Maximum per Contact	1.5A
Data Rate	622.0 Mbps
Voltage - Maximum	250V AC (RMS)

Material Info**Reference - Drawing Numbers**

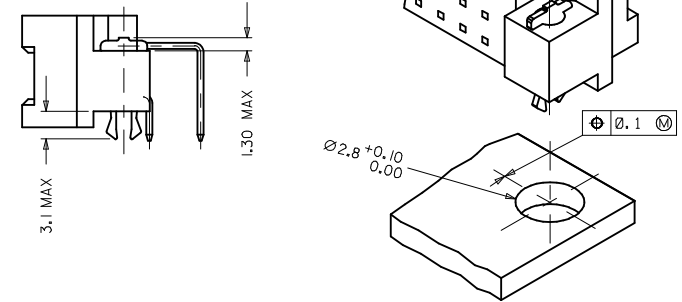
Packaging Specification	PK-36504-001
Product Specification	PS-36502-001
Sales Drawing	SD-36504-006

This document was generated on 05/13/2010

PLEASE CHECK WWW.MOLEX.COM FOR LATEST PART INFORMATION



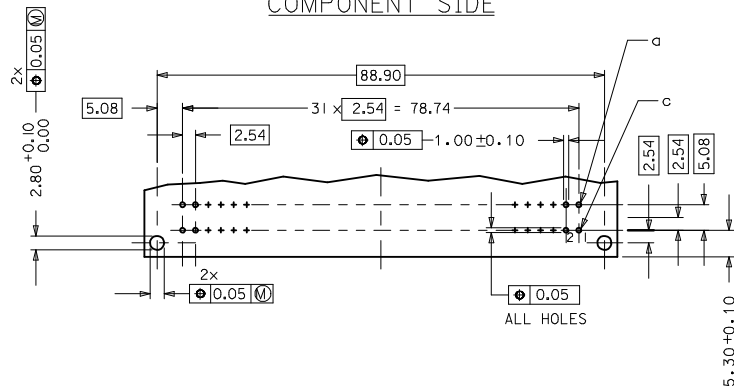
WITH MOUNTING CLIPS



NOTES:

- 1) MATERIAL : THERMOPLASTIC POLYESTER, GLASS FILLED
UL94 V-0, COLOR : PEBBLE GREY RAL 7032
TERMINAL - BRASS
MOUNTING CLIP : STEEL
- 2) FINISH : TERMINAL CONTACT AREA
1) PERFORMANCE LEVEL 3: SELECTIVE GOLD (AU), THICKNESS = 0.3 MICROMETER
OVER NICKEL, THICKNESS = 1.25 MICROMETER
TERMINATION AREA:
SELECTIVE TIN, THICKNESS = 2.5 MICROMETER
OVER NICKEL, THICKNESS = 1.25 MICROMETER OVERALL
- 3) MOUNTING CLIP :
TIN (Sn), THICKNESS = 5-10 MICROMETER
OVER NICKEL (Ni) THICKNESS = 2.5 MICROMETER
- 4) FOR NON MOUNTING CLIP OPTION, CONNECTOR TO BE SECURED WITH
RIVETS : 2 TUBULAR RIVETS 2.5 X 0.3 ... DIN 7340
SCREWS : 2 CHEESEHEAD SCREWS M2.5 X ... DIN 84 AND HEXAGONAL NUTS M2.5 DIN 934
- 5) MATERIAL NUMBER, BATCH CODE, UL AND CSA MARKING TO BE PRINTED ON THE CONNECTOR
- 6) CUT FACE OF TIP WITHOUT PLATING PERMITTED
- 7) PRODUCT SPECIFICATION PS: 36502-001

RECOMMENDED PCB LAYOUT
COMPONENT SIDE

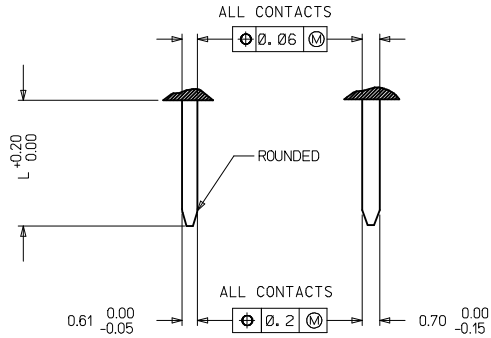


RoHS COMPLIANT

ENTER DESCRIPTION ELEC NO: 12009-0311 DRAWN BY: DRWINP JT CHKD BY: HARSHA APPR: SPANDI 2009/02/02 2009/02/02 2009/02/03 A2	QUALITY SYMBOLS ▽=0 ▽=0	GENERAL TOLERANCES (UNLESS SPECIFIED) <table border="1"> <tr> <th></th> <th>mm</th> <th>INCH</th> </tr> <tr> <td>4 PLACES</td> <td>± 0.10</td> <td>± 0.004</td> </tr> <tr> <td>3 PLACES</td> <td>± 0.05</td> <td>± 0.002</td> </tr> <tr> <td>2 PLACES</td> <td>± 0.10</td> <td>± 0.004</td> </tr> <tr> <td>1 PLACE</td> <td>± 0.15</td> <td>± 0.006</td> </tr> </table>		mm	INCH	4 PLACES	± 0.10	± 0.004	3 PLACES	± 0.05	± 0.002	2 PLACES	± 0.10	± 0.004	1 PLACE	± 0.15	± 0.006	DIMENSION STYLE MM ONLY	SCALE 1:1	DESIGN UNITS METRIC	THIRD ANGLE PROJECTION
		mm	INCH																		
	4 PLACES	± 0.10	± 0.004																		
	3 PLACES	± 0.05	± 0.002																		
2 PLACES	± 0.10	± 0.004																			
1 PLACE	± 0.15	± 0.006																			
DESCRIPTION ASSEMBLY, DIN 41612 C MALE POLARIZED 64 POS CODING WTH MOUNTING CLPS	DRAWN BY SURAJ	DATE 2006/08/25	TITLE ASSEMBLY, DIN 41612 C MALE POLARIZED 64 POS CODING WTH MOUNTING CLPS	MATERIAL NO. 36504-0051	DOCUMENT NO. SD-36504-006	SHEET NO. 1 OF 2															
DRAFT WHERE APPLICABLE MUST REMAIN WITHIN DIMENSIONS	SIZE A1	THIS DRAWING CONTAINS INFORMATION THAT IS PROPRIETARY TO MOLEX INCORPORATED AND SHOULD NOT BE USED WITHOUT WRITTEN PERMISSION																			

20	19	18	17	16	15	14	13	12	11	10	9	8	7	6	5	4	3	2	1
MATERIAL NUMBER	MOLEX ENG NO	PERF LEVEL	PLATING	STD. CONTACT SEQUENCE/ROW	PREMATING CONTACT POS.	MOUNTING CLIP													
36504-0051	MM-B7600-C953	3	Au+Ni	a2-31, c2-31	a1, a32, c1, c32	YES													

DETAILY DETAILX



PRE MATING CONTACTS	5.4
NORMAL CONTACTS	4.8
	L

RoHS COMPLIANT

ENTER DESCRIPTION EC NO: 12009-0311 DRAWN BY: CHYKOR HARSHA APPR: SPANDI 2009/02/02 2009/02/02 2009/02/03	QUALITY SYMBOLS ▽=0 ▽=0	GENERAL TOLERANCES (UNLESS SPECIFIED)		DIMENSION STYLE MM ONLY		SCALE 1:1	DESIGN UNITS METRIC	THIRD ANGLE PROJECTION	
		4 PLACES ± --- ± ---	mm	INCH	DRAWN BY	DATE	TITLE ASSEMBLY, DIN 41612 C MALE POLARIZED 64 POS CODING WTH MOUNTING CLPS		
		3 PLACES ± 0.005 ± ---			CHECKED BY	DATE	MOLEX INCORPORATED		
		2 PLACES ± 0.10 ± ---			APPROVED BY	DATE	DOCUMENT NO. SD-36504-006		
1 PLACE ± 0.15 ± ---			ANGULAR ± 2 °		MATERIAL NO. 36504-0051		SHEET NO. 2 OF 2		
DRAFT WHERE APPLICABLE MUST REMAIN WITHIN DIMENSIONS				SIZE A1		THIS DRAWING CONTAINS INFORMATION THAT IS PROPRIETARY TO MOLEX INCORPORATED AND SHOULD NOT BE USED WITHOUT WRITTEN PERMISSION			



Компания «ЭлектроПласт» предлагает заключение долгосрочных отношений при поставках импортных электронных компонентов на взаимовыгодных условиях!

Наши преимущества:

- Оперативные поставки широкого спектра электронных компонентов отечественного и импортного производства напрямую от производителей и с крупнейших мировых складов;
- Поставка более 17-ти миллионов наименований электронных компонентов;
- Поставка сложных, дефицитных, либо снятых с производства позиций;
- Оперативные сроки поставки под заказ (от 5 рабочих дней);
- Экспресс доставка в любую точку России;
- Техническая поддержка проекта, помощь в подборе аналогов, поставка прототипов;
- Система менеджмента качества сертифицирована по Международному стандарту ISO 9001;
- Лицензия ФСБ на осуществление работ с использованием сведений, составляющих государственную тайну;
- Поставка специализированных компонентов (Xilinx, Altera, Analog Devices, Intersil, Interpoint, Microsemi, Aeroflex, Peregrine, Syfer, Eurofarad, Texas Instrument, Miteq, Cobham, E2V, MA-COM, Hittite, Mini-Circuits, General Dynamics и др.);

Помимо этого, одним из направлений компании «ЭлектроПласт» является направление «Источники питания». Мы предлагаем Вам помощь Конструкторского отдела:

- Подбор оптимального решения, техническое обоснование при выборе компонента;
- Подбор аналогов;
- Консультации по применению компонента;
- Поставка образцов и прототипов;
- Техническая поддержка проекта;
- Защита от снятия компонента с производства.



Как с нами связаться

Телефон: 8 (812) 309 58 32 (многоканальный)

Факс: 8 (812) 320-02-42

Электронная почта: org@eplast1.ru

Адрес: 198099, г. Санкт-Петербург, ул. Калинина, дом 2, корпус 4, литера А.