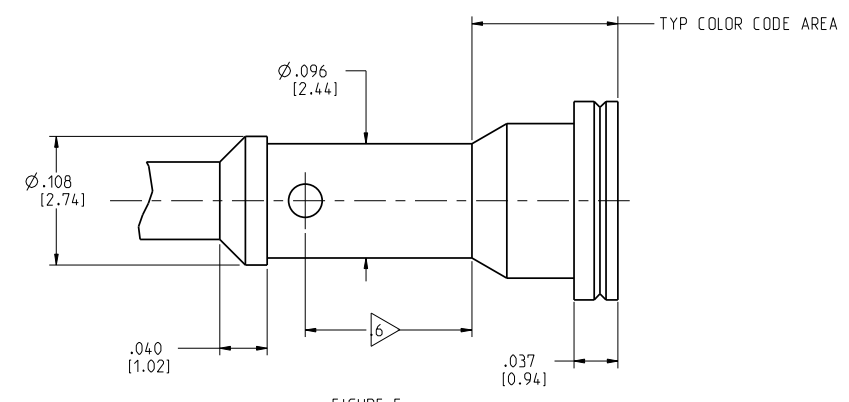
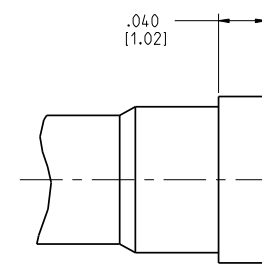
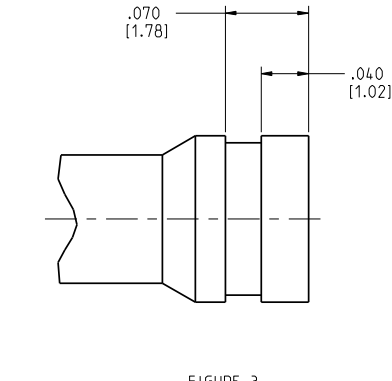
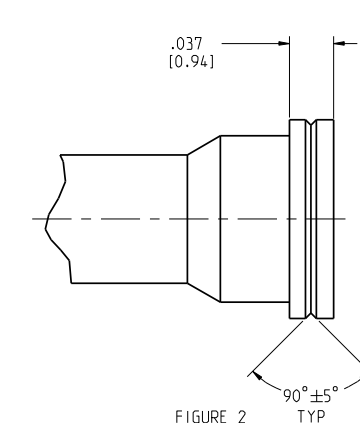
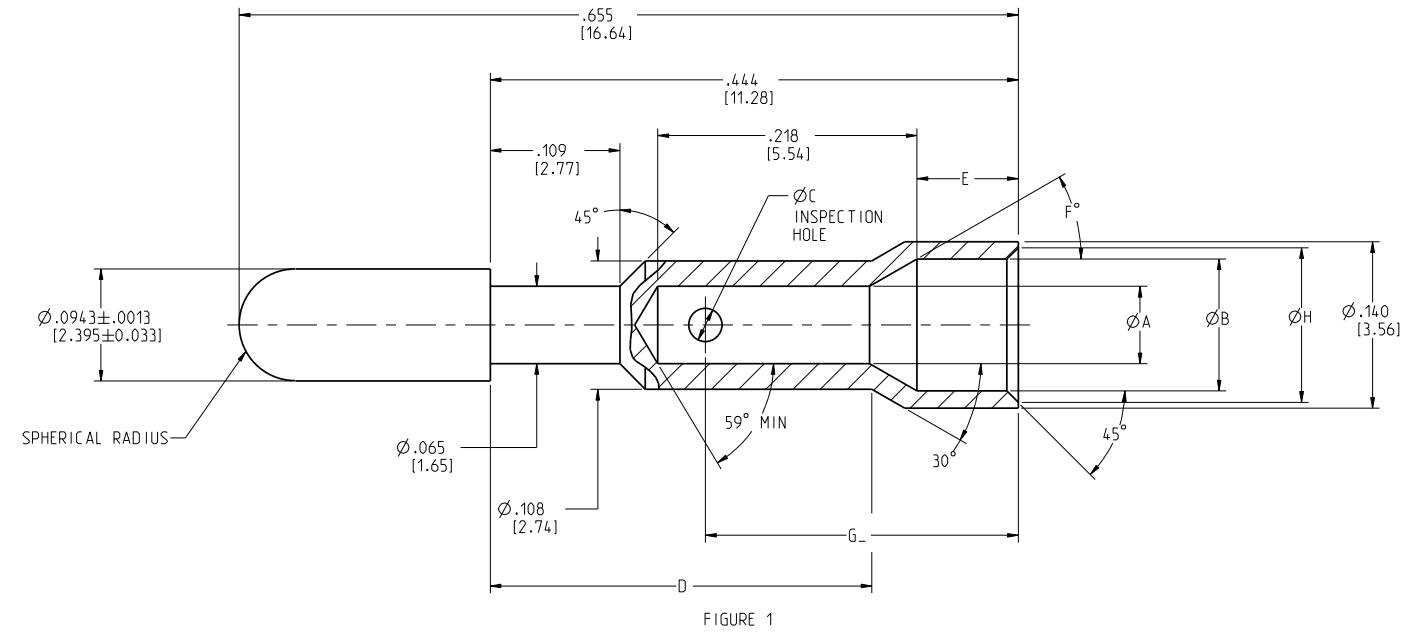


DWG. NO. SE66466

- NOTES: UNLESS OTHERWISE SPECIFIED
- MATERIAL:
    - LEADED BRASS PER ASTM B 453.
    - LEADED COPPER C18700 PER ASTM B 301.
  - FINISH:
    - SILVER PLATE PER QQ-S-365, EXCEPT THICKNESS SHALL BE 200 μ-INCH (5.08 MICRONS) MIN.
    - GOLD PLATE PER MIL-G-45204, TYPE 1 OR 2, GRADE C OR D.
    - 30 μ-IN (0.76 MICRONS) MIN GOLD OVER 100 μ-IN (2.54 MICRONS) MIN COPPER.
    - 30 μ-IN (0.76 MICRONS) MIN GOLD OVER 50-200 μ-IN (1.27-5.08 MICRONS) NICKEL PER QQ-N-290 OVER COPPER FINISH.
  - CONTACT CAN ACCOMMODATE CABLES PER THE FOLLOWING SPECS. MIL-W-5086 & MIL-W-81044.
  - TO ORDER CONTACTS ON AN EXPENDABLE CARRY STRIP FOR USE WITH THE SOURIAU YD-2 HYPRESS, ADD THE PREFIX 'M' TO THE SOURIAU CONTACT CATALOG NUMBER I.E., 'MYHMM16-1F50'
  - TO ORDER CONTACTS ON AN EXPENDABLE CARRY STRIP FOR USE WITH THE SOURIAU BANDOMATIC CRIMP TOOL ADD THE PREFIX 'C' TO THE SOURIAU CONTACT CATALOG NUMBER. I.E., 'CYHMM16-1F50'
  - COLOR CODING FOR YHMM22-5D28 (GREEN) AND YHMM16-D28 (BLUE) TO BE MARKED IN THIS AREA ONLY. (SEE FIG 5)

CATALOG NO.	BOEING PART NO.	FIGURE	ØA	ØB	ØC	D	E	F°	G <sub>-</sub>	H	WIRE SIZE RANGE	INSULATION DIA. RANGE	COLOR CODE	FINISH	MATERIAL	TOOLING	MAX. W.T. (g)
YHMM16-1F50	BACC47DE1	1	.065 [1.65]	.111 [2.82]	.040 [1.02]	.330 [8.38]	.085 [2.16]	30	.263 [6.68]	.130 [3.30]	16-20	.080-.110 [2.03-2.79]	--	SILVER	BRASS	M10S HYTOOL S1 DIE SET SL-53 STOP BUSHING	.556
YHMM16-3F50	----	3	.065 [1.65]	.084 [2.13]					.102 [2.59]	16-20	.067-.083 [1.70-2.11]	BLUE	.601				
YHMM16-4F50	BACC47DE5	3	.060 [1.52]	.084 [2.13]	.040 [1.02]	.321 [8.15]	.094 [2.39]	30	.249 [6.32]	.086 [2.18]	18-20	.056-.069 [1.42-1.75]	BLACK	SILVER	BRASS	M10S HYTOOL S1 DIE SET SL-53 STOP BUSHING	---
YHMM18-2F50	BACC47DE6	2	.054 [1.37]	.070 [1.78]					.263 [6.68]	.080 [2.03]	20-22	.047-.065 [1.19-1.65]	RED				.700
YHMM20-1F50	----	2	.044 [1.12]	.066 [1.68]	.040 [1.02]	.330 [8.38]	.085 [2.16]	30	.249 [6.32]	.100 [2.54]	24	.032-.045 [0.81-1.14]	GREEN	SILVER	BRASS	M10S HYTOOL S1 DIE SET SL-53 STOP BUSHING	---
YHMM24-1F50	BACC47DE8	5	.029 [0.74]	.046 [1.17]					.102 [2.59]	16-20	.063-.083 [1.60-2.11]	BLUE	.700				
YHMM16-5DB8	----	3	.060 [1.52]	.084 [2.13]	.028 [0.71]	.321 [8.15]	.094 [2.39]	45	.263 [6.68]	.108 [2.74]	22-24	.070-.080 [1.78-2.03]	BROWN	GOLD OVER COPPER	BRASS	M10S HYTOOL S1 DIE SET SL-53 STOP BUSHING	.686
YHMM20-2DB8	BACC47DE7	2	.044 [1.12]	.066 [1.68]					.080 [2.03]	22-24	.041-.065 [1.04-1.65]	GREEN	.748				
YHMM22-1DB8	BACC47DE3	4	.035 [0.89]	.087 [2.21]	.040 [1.02]	.330 [8.38]	.085 [2.16]	30	.249 [6.32]	.086 [2.18]	18-20	.056-.069 [1.42-1.75]	BLACK	GOLD OVER COPPER	COPPER	M10S HYTOOL S1 DIE SET SL-53 STOP BUSHING	.587
YHMM22-2DB8	BACC47DE4	2	.036 [0.91]	.066 [1.68]					.102 [2.59]	16-20	.063-.083 [1.60-2.11]	BLUE	.627				
YHMM16-6D28	BACC47DE1A	1	.065 [1.65]	.111 [2.82]	.040 [1.02]	.330 [8.38]	.085 [2.16]	30	.249 [6.32]	.086 [2.18]	18-20	.056-.069 [1.42-1.75]	BLACK	GOLD OVER COPPER	COPPER	M10S HYTOOL S1 DIE SET SL-53 STOP BUSHING	.659
YHMM16-7D28	BACC47DE5A	3	.060 [1.52]	.084 [2.13]					.102 [2.59]	16-20	.063-.083 [1.60-2.11]	BLUE	.686				
YHMM18-3D28	BACC47DE6A	2	.054 [1.37]	.070 [1.78]	.028 [0.71]	.321 [8.15]	.094 [2.39]	45	.263 [6.68]	.108 [2.74]	22-24	.070-.080 [1.78-2.03]	---	NICKEL	BRASS	M10S HYTOOL S1 DIE SET SL-53 STOP BUSHING	.712
YHMM20-3D28	BACC47DE7A	2	.044 [1.12]	.066 [1.68]					.080 [2.03]	22-24	.041-.065 [1.04-1.65]	GREEN	.693				
YHMM22-4D28	BACC47DE3A	4	.035 [0.89]	.087 [2.21]	.040 [1.02]	.321 [8.15]	.094 [2.39]	45	.249 [6.32]	.100 [2.54]	24	.032-.045 [0.81-1.14]	VIOLET	NICKEL	BRASS	M10S HYTOOL S1 DIE SET SL-53 STOP BUSHING	.686
YHMM22-5D28	BACC47DE4A	2	.036 [0.91]	.066 [1.68]					.080 [2.03]	22-24	.041-.065 [1.04-1.65]	GREEN	.712				
YHMM24-3D28	BACC47DE8A	5	.029 [0.74]	.046 [1.17]	.024 [0.61]	.321 [8.15]	.094 [2.39]	30	.249 [6.32]	.100 [2.54]	24	.032-.045 [0.81-1.14]	VIOLET	NICKEL	BRASS	M10S HYTOOL S1 DIE SET SL-53 STOP BUSHING	.698

THIS DRAWING IS A CONTROLLED DOCUMENT FOR SOURIAU USA, INC. CONTACT THE DOCUMENT CONTROL CENTER FOR THE LATEST REVISION.



THE INFORMATION CONTAINED IN THIS DRAWING IS CONFIDENTIAL AND MAY NOT BE DISCLOSED WITHOUT WRITTEN CONSENT FROM SOURIAU USA, INC.

SUPERSEDES:  
 SC66075-1  
 SC58285-0  
 SC54533-12  
 SD66466-24

REFERENCE:  
 WSD60451  
 WSD68707  
 WSD69533  
 DS131

AD	REVISED PER ECN10186	GRB	FLR
27	IN TABLE FOR CAT. NO YHMM22-1B8 COLOR CODE 'BROWN' WAS NONE TO NOTE 7 ADDED AND YHMM16-7D28 (BLUE, FLAGGED NOTE 7 TO CAT. NO. YHMM16-7D28 (ECN3387))	1-19-07	1-19-07
26	ADDED NOTE 7 & DIM FLAG 7 TO FIG 5 (ECN3387)	DET	FDH
25	REVISED AND REDRAWN PER ECN 15029)	9-15-95	09-15-95
REV	ECN NUMBER	BY	CHKD
		DATE	DATE

**TERMINAL BLOCK MODULE CONTACT**

CAT NO. YHMM - - - (SEE TABLE)

CAGE NO: 09922 SIZE: C

**CUSTOMER**

INTERPRET THIS DRAWING IN ACCORDANCE WITH ASME Y14.5M - 1994.

APPROVAL

DRAWN: GRB	01-19-07
CHKD: FLR	01-19-07
DSGN: AER	08-21-68
MFG: XXX	01-19-07
QC: BDB	01-19-07
DRAWING SCALE: 10:1	
DRAWING NO. SE66466	REV AD

www.souriau.com

1 OF 1



Компания «ЭлектроПласт» предлагает заключение долгосрочных отношений при поставках импортных электронных компонентов на взаимовыгодных условиях!

Наши преимущества:

- Оперативные поставки широкого спектра электронных компонентов отечественного и импортного производства напрямую от производителей и с крупнейших мировых складов;
- Поставка более 17-ти миллионов наименований электронных компонентов;
- Поставка сложных, дефицитных, либо снятых с производства позиций;
- Оперативные сроки поставки под заказ (от 5 рабочих дней);
- Экспресс доставка в любую точку России;
- Техническая поддержка проекта, помощь в подборе аналогов, поставка прототипов;
- Система менеджмента качества сертифицирована по Международному стандарту ISO 9001;
- Лицензия ФСБ на осуществление работ с использованием сведений, составляющих государственную тайну;
- Поставка специализированных компонентов (Xilinx, Altera, Analog Devices, Intersil, Interpoint, Microsemi, Aeroflex, Peregrine, Syfer, Eurofarad, Texas Instrument, Miteq, Cobham, E2V, MA-COM, Hittite, Mini-Circuits, General Dynamics и др.);

Помимо этого, одним из направлений компании «ЭлектроПласт» является направление «Источники питания». Мы предлагаем Вам помощь Конструкторского отдела:

- Подбор оптимального решения, техническое обоснование при выборе компонента;
- Подбор аналогов;
- Консультации по применению компонента;
- Поставка образцов и прототипов;
- Техническая поддержка проекта;
- Защита от снятия компонента с производства.



#### Как с нами связаться

**Телефон:** 8 (812) 309 58 32 (многоканальный)

**Факс:** 8 (812) 320-02-42

**Электронная почта:** [org@eplast1.ru](mailto:org@eplast1.ru)

**Адрес:** 198099, г. Санкт-Петербург, ул. Калинина, дом 2, корпус 4, литера А.