

**International + Linears**

**Summary:**

- World-wide ac input ranges and safety standards
- Industry standard packages
- Commercial UL/CSA TUV/IEC approved—models to UL/CSA 60950; EN/IEC60950-1
- Burn-in with cycling; 3-year warranty
- Capacitors have highest CV & ripple current ratings
- Medical Approved to UL2601-1/60601-1, IEC60601-1 and CSA601.1
- Medical leakage 10  $\mu$ A
- MTBF 200,000+ hours per MIL-HDBK-217D (most units)
- All electrolytic caps rated at 105°C
- Transformer insulation meets Class F (155°C)
- Exceed FCC and CISPR22, Class B conducted emissions
- RoHS Compliant models available (G suffix)
- $\text{C}\epsilon$  marked to LVD



**SPECIFICATIONS**

|                                                                                                                                                                                     |
|-------------------------------------------------------------------------------------------------------------------------------------------------------------------------------------|
| <b>Ac Input</b><br>100, 120 and 240 Vac: +10%, -13%; 215 Vac: +12%, -11%; 47 to 63Hz. Tolerance for 230 Vac operation is +15%, -10%. Derate output current 10% for 50 Hz operation. |
| <b>Dc Output</b><br>See voltage rating chart. Adjustment range $\pm$ 5% minimum except HA series.                                                                                   |
| <b>Line Regulation</b><br>$\pm$ 0.05% for a 10% change.                                                                                                                             |
| <b>Load Regulation</b><br>$\pm$ 0.05% for a 50% load change.                                                                                                                        |
| <b>Output Ripple</b><br>3 mV +0.05% of output voltage, peak to peak maximum. All "3-terminal regulator" outputs: 3 mV +0.2% peak to peak maximum.                                   |
| <b>Transient Response</b><br><50 microseconds for 50% load change.                                                                                                                  |
| <b>Short Circuit Protection</b><br>Automatic current limit/foldback.                                                                                                                |
| <b>Overvoltage Protection</b><br>Built-in on all 5 V models, set at 6.2 V $\pm$ 0.4 V. Other models use optional over-voltage protection.                                           |

|                                                                                                                                                  |
|--------------------------------------------------------------------------------------------------------------------------------------------------|
| <b>Remote Sensing</b><br>Provided on all models; open sense lead protection built-in (except HA & HTAA series).                                  |
| <b>Stability</b><br>$\pm$ 0.05% for 24 hours after warmup.                                                                                       |
| <b>Temperature Rating</b><br>0 to 50°C full rated, derated linearly to 40% at 70°C.                                                              |
| <b>Temperature Coefficient</b><br>$\pm$ 0.01%/°C maximum.                                                                                        |
| <b>Efficiency</b><br>5 V units: 45%; 12 and 15 V units: 55%; 20 and 24 V units: 60%.                                                             |
| <b>Logic Inhibit and Current-Share</b><br>F & G models.                                                                                          |
| <b>Medical Stock and Vibration</b><br>Per Mil-Std-810D, Method 514.3, Category 1, Procedure 1.<br>Per Mil-Std-810D, Method 516.3, Procedure III. |
| <b>Storage</b><br>-40 to +85 °C.                                                                                                                 |

| Commercial Model (Single) | Medical Model | Voltage | Current | Case |
|---------------------------|---------------|---------|---------|------|
| HB2-3-A+G                 |               | 2 V     | 3 A     | B    |
| HC2-6-A+G                 |               | 2 V     | 6 A     | C    |
| HE2-18-A+G                |               | 2 V     | 18 A    | E    |
|                           | ML5-1-OV-A    | 5 V     | 1.0 A   | L    |
| HA5-1.5-OV-A+G            |               | 5 V     | 1.5 A   | B    |
| HB5-3-OV-A+G              |               | 5 V     | 3 A     | B    |
| HC5-6-OV-A+G              |               | 5 V     | 6 A     | C    |
| HN5-9-OV-A+G              |               | 5 V     | 9 A     | N    |
| HD5-12-OV-A+G             |               | 5 V     | 12 A    | D    |
| HE5-18-OV-A+G             |               | 5 V     | 18 A    | E    |
| F5-25-OV-A+*G             |               | 5 V     | 25 A    | F    |
| G5-35-OV-A+ *(1)          |               | 5 V     | 35 A    | G    |
| CP197-A+G                 |               | 5 V     | 50 A    | G    |
|                           | ML12-0.5-A    | 12 V    | 0.5 A   | L    |
| HA15-0.9-A+ (12 V)G       |               | 12 V    | 0.9 A   | B    |
| HB12-1-7-A+G              | MB12-1-7-A    | 12 V    | 1.7 A   | B    |
| HC12-3.4-A+G              | MC12-3.4-A    | 12 V    | 3.4 A   | C    |
| HN12-5.1-A+G              |               | 12 V    | 5.1 A   | N    |
| HD12-6.8-A+G              | MD12-6.8-A    | 12 V    | 6.8 A   | D    |
| HE12-10-2-A+G             |               | 12 V    | 10.2 A  | E    |
|                           |               |         |         |      |
|                           | ML15-0.4-A    | 15 V    | .4 A    | L    |
| HA15-0.9-A+G              |               | 15 V    | 0.9 A   | B    |
| HB15-1.5-A+G              | MB15-1.5-A    | 15 V    | 1.5 A   | B    |
| HC15-3-A+G                | MC15-3-A      | 15 V    | 3 A     | C    |
| HN15-4.5-A+G              |               | 15 V    | 4.5 A   | N    |
| HD15-6-A+G                | MD15-6-A      | 15 V    | 6 A     | D    |
| HE15-9-A+G *              |               | 15 V    | 9 A     | E    |
| F15-15-A+G *              |               | 15 V    | 15 A    | F    |
|                           |               |         |         |      |
| HA24-0.5-A+G              |               | 24 V    | 0.5 A   | B    |
| HB24-1.2-A+G              | MB24-1.2-A    | 24 V    | 1.2 A   | B    |
| HC24-2.4-A+G              | MC24-2.4-A    | 24 V    | 2.4 A   | C    |
| HN24-3.6-A+G              |               | 24 V    | 3.6 A   | N    |
| HD24-4.8-A+G              | MD24-4.8-A    | 24 V    | 4.8 A   | D    |
| HE24-7.2-A+G *            |               | 24 V    | 7.2 A   | E    |
| F24-12-A+G *              |               | 24 V    | 12 A    | F    |
| HA24-0.5-A+ (28 V)G       |               | 28 V    | 0.5 A   | B    |
| HB28-1-A+G                | MB28-1-A      | 28 V    | 1 A     | B    |
| HC28-2-A+G                | MC28-2-A      | 28 V    | 2 A     | C    |
| HN28-3-A+G                |               | 28 V    | 3 A     | N    |
| HD28-4-A+G                | MD28-4-A      | 28 V    | 4 A     | D    |
| HE28-6-A+G *              |               | 28 V    | 6 A     | E    |
| F24-12-A+(28 V)G *        |               | 28 V    | 10 A    | F    |
| HB48-0.5-A+G              |               | 48 V    | 0.5 A   | B    |
| HC48-1-A+G                |               | 48 V    | 1 A     | C    |
| HD48-3-A+G **             |               | 48 V    | 3 A     | D    |
| HE48-4-A+G                |               | 48 V    | 4 A     | E    |
| F48-6-A+G *               |               | 48 V    | 6 A     | F    |

Notes:

1. All single output models have isolated outputs.
2. Model G5-50-OV-A+ not RoHS compliant

| Commercial Model (Dual) | Medical Model | Output 1                | Output 2                 | Case |
|-------------------------|---------------|-------------------------|--------------------------|------|
| HAA5-1.5-OV-A+G         |               | 5 V @ 1.5 A             | 5 V @ 1.5 A              | AA   |
| HBB5-3-OV-A+G           |               | 5 V @ 3 A               | 5 V @ 3 A                | BB   |
| HCC5-6-OV-A+G           |               | 5 V @ 6 A               | 5 V @ 6 A                | CC   |
| HAA512-A+G              | MAA512-A      | 5 V @ 2 A               | 9 to 15 V (adj) @ 0.5 A  | AA   |
| HBB512-A+G              | MBB512-A      | 5 V @ 3 A               | 9 to 15 V (adj) @ 1.2 A  | BB   |
| HCC512-A+G **           | MCC512-A      | 5 V @ 6 A               | 9 to 15 V (adj) @ 2.5 A  | CC   |
| HAA524-A+G **           | MAA524-A      | 5 V @ 2 A               | 18 to 24 V (adj) @ 0.3 A | AA   |
| HBB524-A+G              | MBB524-A      | 5 V @ 3 A               | 18 to 24 V (adj) @ 0.8 A | BB   |
| HCC524-A+G              | MCC524-A      | 5 V @ 6 A               | 18 to 24 V (adj) @ 2 A   | CC   |
| HAD12-0.4-A+G           |               | +12 V @ 0.4 A           | -12 V @ 0.4 A            | B    |
|                         | MLL12-0.25-A  | +12 V @ 0.25 A          | -12 V @ 0.25 A           | L    |
|                         | MLL15-0.2-A   | +15 V @ 0.2 A           | -15 V @ 0.2 A            | L    |
| HAD15-0.4-A+G           |               | +15 V @ 0.4 A           | -15 V @ 0.4 A            | B    |
| HAA15-0.8-A+G           | MAA15-0.8-A   | +15 V @ 0.8 A           | -15 V @ 0.8 A ***        | AA   |
| HBB15-1.5-A+G           | MBB15-1.5-A   | +15 V @ 1.5 A           | -15 V @ 1.5 A ***        | BB   |
| HCC15-3-A+G             | MCC15-3-A     | +15 V @ 3 A             | -15 V @ 3 A ***          | CC   |
| HDD15-5-A+G             |               | +15 V @ 5 A             | -15 V @ 5 A ***          | E    |
| HAA24-0.6-A+G           |               | +18 to 24 V @ 0.4/0.6 A | -18 to 24 V @ 0.4/0.6 A  | AA   |
| CP323-A+G               |               | +5 V @ 2 A              | +12 V @ 4 A              | BB   |

\*\* May require fan cooling

\*\*\* No. 2 output usable at -5 V, rate at 1/2 of 15 V current rating.

| Commercial Model (Triple) | Medical Model | Output 1    | Output 2                | Output 3                   | Case |
|---------------------------|---------------|-------------|-------------------------|----------------------------|------|
|                           | MTLL-5W-A     | 5 V @ 0.5 A | +12 to 15 V @ 0.1 A     | -12 to 15 V @ 0.1 A***     | L    |
| HTAA-16W-A+G              | MTAA-16W-A    | 5 V @ 2 A   | +12 to 15 V @ 0.4/0.4 A | -12 to 15 V @ 0.4/0.4 A*** | AA   |
| HBAA40W-A+G               | MBAA40W-A     | 5 V @ 3 A   | +12 to 15 V @ 1/0.8 A   | -12 to 15 V @ 1/0.8 A***   | BAA  |
| HCB105W-A+G **            |               | 5 V @ 3 A   | +12 to 15 V @ 3.4/3.0 A | -12 to 15 V @ 3.4/3.0 A*** | CBB  |
| HCAA60W-A+G               | MCAA60W-A     | 5 V @ 6 A   | +12 to 15 V @ 1/0.8 A   | -12 to 15 V @ 1/0.8 A***   | D    |
| HCB75W-A+G                | MCB75W-A      | 5 V @ 6 A   | +12 to 15 V @ 1.7/1.5 A | -12 to 15 V @ 1.7/1.5 A*** | CBB  |
| CP131-A+G                 |               | 5 V @ 8 A   | +12 to 15 V @ 1.7/1.5 A | -12 to 15 V @ 1.7/1.5 A*** | NBB  |
| HDBB105W-A+G *            |               | 5 V @ 12 A  | +12 to 15 V @ 1.7/1.5 A | -12 to 15 V @ 1.7/1.5 A*** | DBB  |
| HDCC150W-A+G *            |               | 5 V @ 12 A  | +12 to 15 V @ 3.4/3 A   | -12 to 15 V @ 3.4/3 A***   | DCC  |

\*Requires fan cooling

\*\* May require fan cooling

\*\*\*No. 3 output usable at -5 V, rate at 1/2 of 15 V current rating.

Outputs rated at 9 to 15V, 12 to 15V, or 18 to 24V are user adjustable outputs.

All outputs without + or - sign are isolated outputs and may be referenced as either a positive or negative output.

## FIXED DISK SERIES

Both models without UL, CSA or TUV

| Commercial Model (Dual) | Output 1   | Output 2            | Output 3          | Case |
|-------------------------|------------|---------------------|-------------------|------|
| CP379-A+G               | +5 V @ 6 A | + 24 V @ 3.5/6 A PK | -5 or -12 @ 1.2 A | NBB  |
| CP498-A+G               | +5 V @ 6 A | + 12 V @ 5/10 A PK  | -12 V @ 0.5 A     | NBB  |



A CASE (WT. 1 LB.)



B CASE (WT. 2 LB.)



C CASE (WT. 4 LB.)



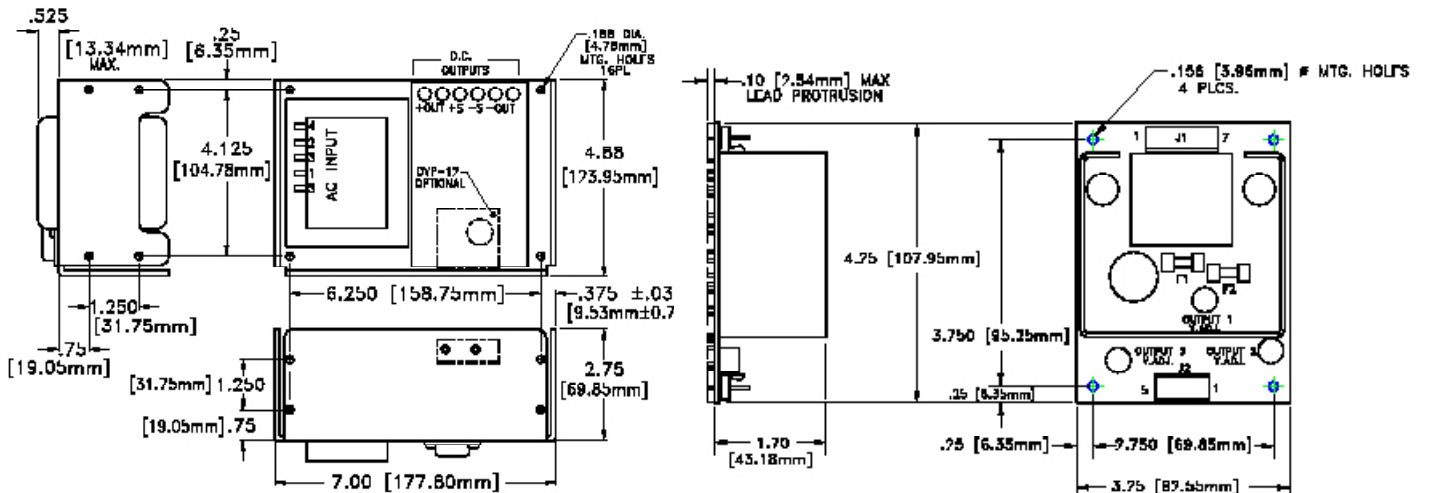
D CASE (WT. 7.5 LB.)



E CASE (WT. 10 LB.)

F CASE  
(WT. F5: 14 LB.; F15, 24: 18 LB.)

G CASE (WT. G5: 19 LB.)



N CASE (WT. 7 LB.)

L CASE (WT. 1 LB.)

INTERNATIONAL + LINEAR MECHANICAL SPECIFICATIONS



AA CASE (WT. 2 LB.)

BB CASE (WT. 4 LB.)

CC CASE (WT. 7 LB.)



BAA CASE (WT. 5 LB.)



**CBB CASE (WT. 8 LB.)**



**DBB CASE (WT. 11 LB.)**



**DCC CASE (WT. 12 LB.)**



**NBB CASE (WT. 12 LB.)**





Компания «ЭлектроПласт» предлагает заключение долгосрочных отношений при поставках импортных электронных компонентов на взаимовыгодных условиях!

Наши преимущества:

- Оперативные поставки широкого спектра электронных компонентов отечественного и импортного производства напрямую от производителей и с крупнейших мировых складов;
- Поставка более 17-ти миллионов наименований электронных компонентов;
- Поставка сложных, дефицитных, либо снятых с производства позиций;
- Оперативные сроки поставки под заказ (от 5 рабочих дней);
- Экспресс доставка в любую точку России;
- Техническая поддержка проекта, помощь в подборе аналогов, поставка прототипов;
- Система менеджмента качества сертифицирована по Международному стандарту ISO 9001;
- Лицензия ФСБ на осуществление работ с использованием сведений, составляющих государственную тайну;
- Поставка специализированных компонентов (Xilinx, Altera, Analog Devices, Intersil, Interpoint, Microsemi, Aeroflex, Peregrine, Syfer, Eurofarad, Texas Instrument, Miteq, Cobham, E2V, MA-COM, Hittite, Mini-Circuits, General Dynamics и др.);

Помимо этого, одним из направлений компании «ЭлектроПласт» является направление «Источники питания». Мы предлагаем Вам помощь Конструкторского отдела:

- Подбор оптимального решения, техническое обоснование при выборе компонента;
- Подбор аналогов;
- Консультации по применению компонента;
- Поставка образцов и прототипов;
- Техническая поддержка проекта;
- Защита от снятия компонента с производства.



#### Как с нами связаться

**Телефон:** 8 (812) 309 58 32 (многоканальный)

**Факс:** 8 (812) 320-02-42

**Электронная почта:** [org@eplast1.ru](mailto:org@eplast1.ru)

**Адрес:** 198099, г. Санкт-Петербург, ул. Калинина, дом 2, корпус 4, литера А.