

PLEASE CHECK WWW.MOLEX.COM FOR LATEST PART INFORMATION

Part Number: [5015942211](#)
Status: **Active**
Overview: [slimstack_mm016_pitch](#)
Description: 0.40mm (.016") Pitch SlimStack™ Board-to-Board Plug, SMT, Dual Row, Vertical Stacking, 0.90mm (.035") Stacking Height, With Solder Tabs, 22 Circuits

Documents:

[3D Model](#) [Product Specification PS-501591-002 \(PDF\)](#)
[Drawing \(PDF\)](#) [RoHS Certificate of Compliance \(PDF\)](#)

General

| | |
|----------------|---------------------------------------|
| Product Family | PCB Headers |
| Series | 501594 |
| Application | Board-to-Board |
| Overview | slimstack_mm016_pitch |
| Product Name | SlimStack™ |

Physical

| | |
|--------------------------------|-----------------------|
| Breakaway | No |
| Circuits (Loaded) | 22 |
| Color - Resin | Black |
| Durability (mating cycles max) | 20 |
| Glow-Wire Compliant | No |
| Lock to Mating Part | Yes |
| Mated Height (in) | 0.035 In |
| Mated Height (mm) | 0.90 mm |
| Material - Metal | Phosphor Bronze |
| Material - Plating Mating | Gold |
| Number of Rows | 2 |
| Orientation | Vertical |
| PCB Locator | No |
| PCB Retention | Yes |
| Packaging Type | Embossed Tape on Reel |
| Pitch - Mating Interface (in) | 0.016 In |
| Pitch - Mating Interface (mm) | 0.40 mm |
| Polarized to Mating Part | No |
| Polarized to PCB | No |
| Stackable | No |
| Surface Mount Compatible (SMC) | Yes |
| Temperature Range - Operating | -25°C to +85°C |
| Termination Interface: Style | Surface Mount |

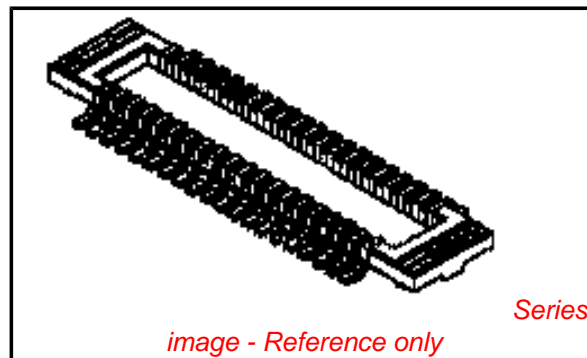
Electrical

| | |
|-------------------------------|-----------------|
| Current - Maximum per Contact | 0.3A |
| Voltage - Maximum | 50V AC (RMS)/DC |

Material Info

Reference - Drawing Numbers

| | |
|-------------------------|---|
| Packaging Specification | SPK-501594-001 |
| Product Specification | PS-501591-002, RPS-501591-007, RPS-501591-010, RPS-501591-011, RPS-501591-012, RPS-501591-013, RPS-501591-014, RPS-501591-016, RPS-501591-017, RPS-501591-019, RPS-501591-020 |
| Sales Drawing | SD-501594-005, SD-501594-006 |



EU RoHS

ELV and RoHS Compliant
REACH SVHC Contains SVHC: No
Halogen-Free Status
Not Reviewed

China RoHS



Need more information on product environmental compliance?

Email productcompliance@molex.com
 For a multiple part number RoHS Certificate of Compliance, [click here](#)

Please visit the [Contact Us](#) section for any non-product compliance questions.

Search Parts in this Series

[501594Series](#)

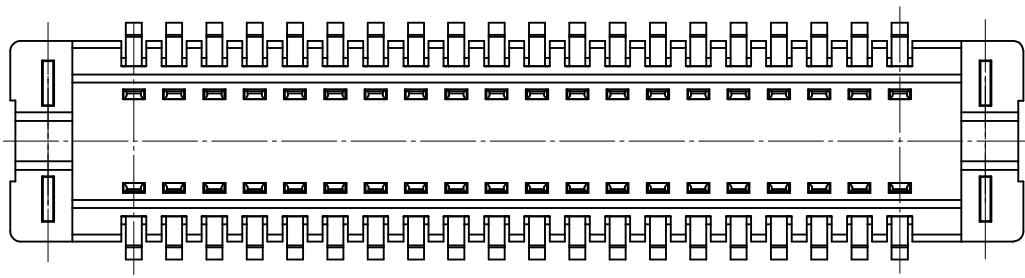
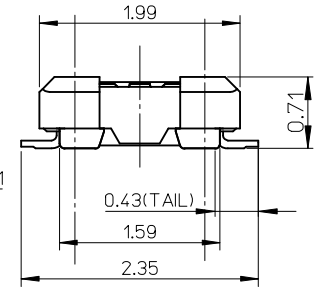
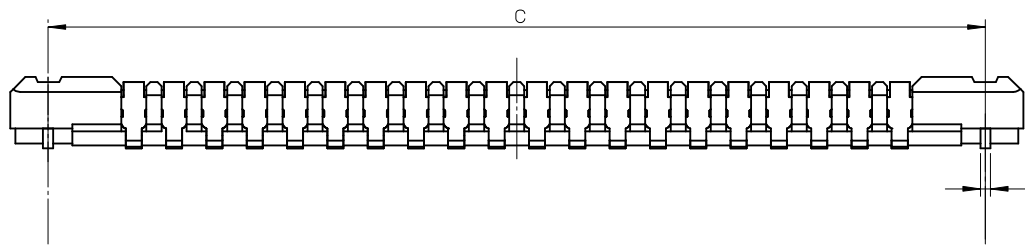
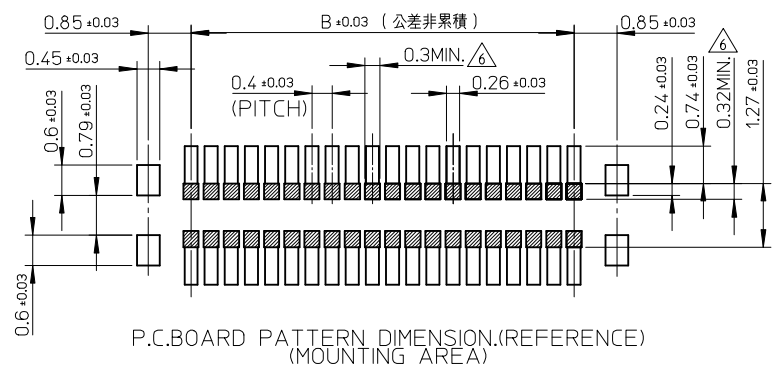
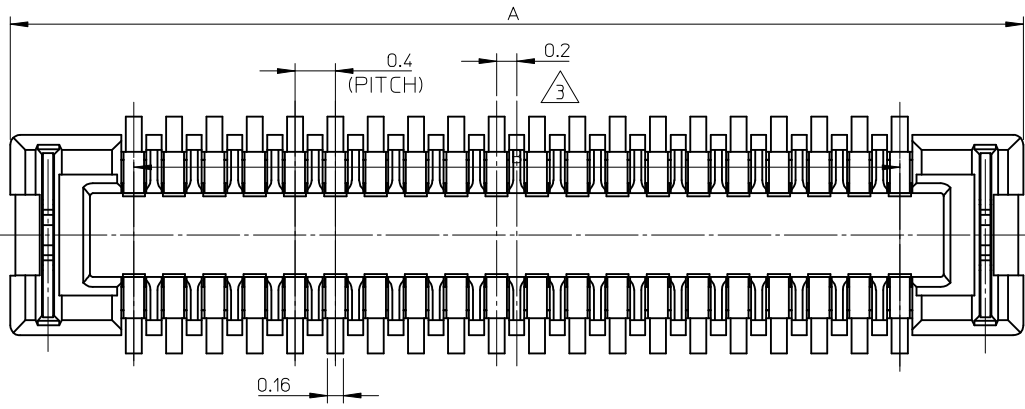
Mates With

[501591 SlimStack™ Board-to-Board Receptacle](#)

This document was generated on 06/03/2010

PLEASE CHECK WWW.MOLEX.COM FOR LATEST PART INFORMATION

10 9 8 7 6 5 4 3 2 1



| | | | | | |
|------|------|-------|-----------------------|--------------|---------|
| 15.3 | 13.6 | 16.05 | 501594-7011 | 501594-7010 | 70 |
| 12.1 | 10.4 | 12.85 | 501594-5411 | 501594-5410 | 54 |
| 11.3 | 9.6 | 12.05 | 501594-5011 | 501594-5010 | 50 |
| 10.1 | 8.4 | 10.85 | 501594-4411 | 501594-4410 | 44 |
| 9.3 | 7.6 | 10.05 | 501594-4011 | 501594-4010 | 40 |
| 8.1 | 6.4 | 8.85 | 501594-3411 | 501594-3410 | 34 |
| 7.3 | 5.6 | 8.05 | 501594-3011 | 501594-3010 | 30 |
| 6.5 | 4.8 | 7.25 | 501594-2611 | 501594-2610 | 26 |
| 6.1 | 4.4 | 6.85 | 501594-2411 | 501594-2410 | 24 |
| 5.7 | 4.0 | 6.45 | 501594-2211 | 501594-2210 | 22 |
| 5.3 | 3.6 | 6.05 | 501594-2011 | 501594-2010 | 20 |
| 3.7 | 2.0 | 4.45 | 501594-1211 | 501594-1210 | 12 |
| 3.3 | 1.6 | 4.05 | 501594-1011 | 501594-1010 | 10 |
| C | B | A | EMBOSSED TAPE PACKAGE | MATERIAL NO. | CIRCUIT |
| | | | ORDER No. | | |

| | | | | | | | | | | |
|---|--|------------------------|-----------------------------------|-------------------------|--------------------|---|-------------------------------|------------------------|--|--|
| REVISED EC NO: J2008-3370 DRW:KSEI 2008/06/17 CHK:D:MSASAO 2008/06/17 APPR:MSASAO 2008/06/25 | GENERAL TOLERANCES (UNLESS SPECIFIED) | | DIMENSION STYLE MM ONLY | | SCALE --- | DESIGN UNITS METRIC | | THIRD ANGLE PROJECTION | | |
| | 10 UNDER ±0.2 | 10 OVER 30 UNDER ±0.25 | 30 OVER ±0.3 | DRAWN BY T. ASAKAWA | DATE 2006/07/10 | TITLE 0.4MM PITCH B/B CONN. H=0.9 W=3.4 PLUG ASSY | | | | |
| | ANGULAR ±3 ° | | | CHECKED BY M. SASAO | DATE 2006/07/10 | MOLEX INCORPORATED | | | | |
| | DRAFT WHERE APPLICABLE MUST REMAIN WITHIN DIMENSIONS | | | APPROVED BY M. SASAO | DATE 2006/07/10 | MATERIAL NO. SEE TABLE | DOCUMENT NO. SD-501594-005 | SHEET NO. 1 OF 2 | | |

注記 NOTES

1.使用材料
MATERIAL

ハウジング：液晶ポリマー (LCP) ガラス充填 UL-94V-0 (黒)
HOSING : LIQUID CRYSTAL POLYMER (GLASS FILLED) UL94V-0 (COLOR:BLACK)

ターミナル：りん青銅 (t=0.08)
TERMINAL : PHOSHOR BRONZE (t=0.08)

金具：りん青銅 (t=0.1)
FITTING NAIL : PHOSHOR BRONZE (t=0.1)

2.メッキ仕様
PLATING

ターミナル
TERMINAL

金メッキ 0.1マイクロメートル以上 (コンタクト部)
GOLD 0.1 MICROMETER MINIMUM (CONTACT AERA)

金メッキ 0.03マイクロメートル以上 (テール部)
GOLD 0.03 MICROMETER MINIMUM (TAIL AERA)

下地メッキ：ニッケルメッキ 1.0 マイクロメートル以上
UNDER PLATING : NICKEL 1.0 MICROMETER MINIMUM

金具
FITTING NAIL

錫メッキ :1.0マイクロメートル以上
TIN PLATING :1.0 MICROMETER MINIMUM

下地メッキ :ニッケル1.0マイクロメートル以上
UNDER PLATING :NICKEL 1.0 MICROMETER MINIMUM

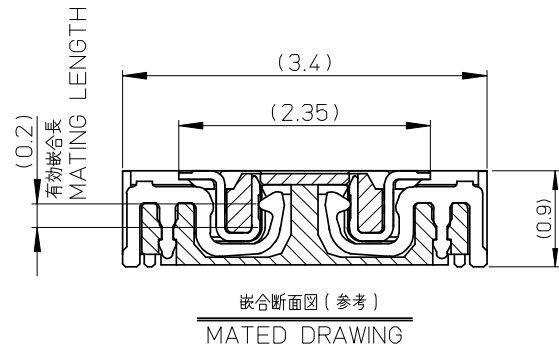
③ (全極数/2)=偶数の場合に適用
APPLY FOR (CIRCUIT/2)=EVEN

4.嵌合相手 : 501591-**10シリーズ
WITH MATE : 501591-**10SERIES

5.テール及び金具の平坦度は、0.1以下
TAIL AND FITTING NAIL COPLANARITY TO BE 0.1 MAXIMUM

⑥ 斜線部はパターン書き込み禁止範囲と半田禁止範囲を示す。
ただし、斜線部に同一配線を配置する場合はレジストを施し、この部分に半田は無きこと。
NO PATTERN CIRCUIT AND NO SOLDER ALLOWED IN THE SHADED AREA.
HOWEVER, IF NEEDED TO ADD A TRACE OF THE SAME CIRCUIT, PUT THE SOLDER-RESIST,
YET NO SOLDER ALLOWED IN THE AREA.

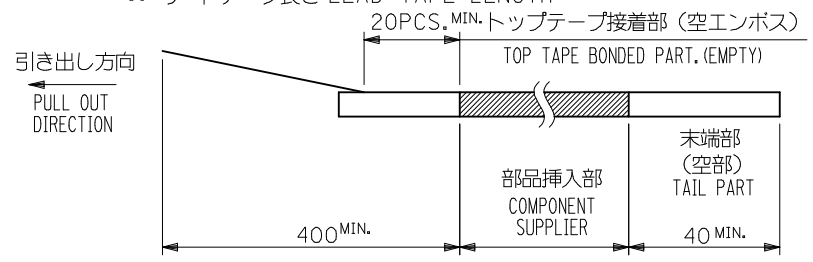
7.ELV AND RoHS COMPLIANT.



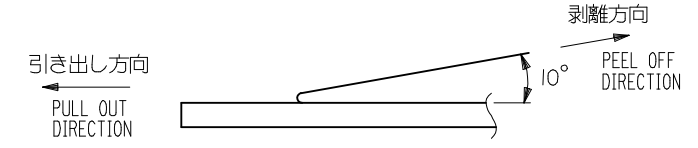
| | | | | | | | | |
|---|--|-------|----------------------------|--------------------|---|------------------------|---------------------------|--|
| REVISED EC NO: J2008-3370 DRAWN:KSETO 2008/06/17 CHKD:MSASAO 2008/06/17 APPR:MSASAO 2008/06/25 DESCRIPTION | GENERAL TOLERANCES (UNLESS SPECIFIED) | | DIMENSION STYLE MM ONLY | | SCALE --- | DESIGN UNITS METRIC | THIRD ANGLE PROJECTION | |
| | 10 UNDER | ±0.2 | DRAWN BY T. ASAKAWA | DATE 2006/07/10 | TITLE 0.4MM PITCH B/B CONN. H=0.9 W=3.4 PLUG ASSY | | | |
| | 10 OVER 30 UNDER | ±0.25 | CHECKED BY M. SASAO | DATE 2006/07/10 | | | | |
| | 30 OVER | ±0.3 | APPROVED BY M. SASAO | DATE 2006/07/10 | MOLEX INCORPORATED | | | |
| | ANGULAR | ±3 ° | MATERIAL NO. | | | | | |
| | DRAFT WHERE APPLICABLE MUST REMAIN WITHIN DIMENSIONS | | SEE SHEET 1 | | SD-501594-005 | | 2 OF 2 | |
| SIZE A3 THIS DRAWING CONTAINS INFORMATION THAT IS PROPRIETARY TO MOLEX INCORPORATED AND SHOULD NOT BE USED WITHOUT WRITTEN PERMISSION | | | | | | | | |

NOTES

- 製品詳細寸法については製品単体図面を参照下さい。
RE DETAILED DIMENSION, SEE PRODUCT DRAWING.
- 梱包数量：3000個/リール
NUMBER OF CONNECTORS : 3000PCS/REEL
- リードテープ長さ LEAD TAPE LENGTH

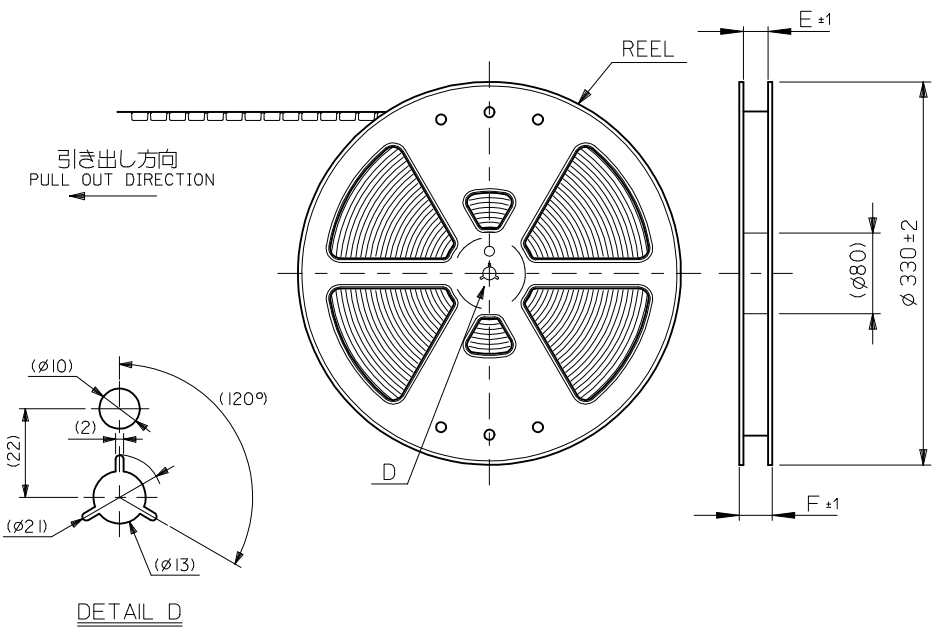


- トップテープの剥離強度：JES-59 参照
剥離方向は下図参照。
PEELING OFF STRENGTH OF TOP TAPE : REFER TO JES-59
PEELING DIRECTION AS SHOWN IN FOLLOWING FIGURE.



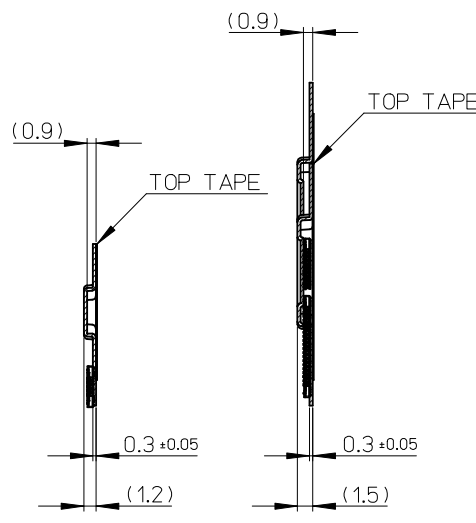
- 材料 MATERIAL
キャリアテープ (CARRIER TAPE) : ポリスチレン (POLYSTYRENE)
トップテープ (TOPTAPE) : PET, PE, PEF
リール (REEL) : ポリスチレン (PS) <リサイクル材を含む>
POLYSTYRENE (PS) <RECYCLE MATERIAL CONTAINED>

6.ELV AND RoHS COMPLIANT.



| | | | | | | | | |
|--|--------------------|--|--|-----------------------------|--|---|---|---------------------|
| REVISED EC NO.: J2008-3370 2008/06/17 DRW:KSETO 2008/06/17 CHKD:MSASAO 2008/06/17 APPR:MSASAO 2008/06/25 | DESCRIPTION REV | GENERAL TOLERANCES (UNLESS SPECIFIED) | | DIMENSION STYLE MM ONLY | | SCALE --- | 501594-**11 | MODEL NO. |
| | | 10 UNDER ± 0.2 | | DRAWN BY TASAKAWA | | DATE 2006/07/10 | DESIGN UNITS METRIC | |
| | | 10 OVER 30 UNDER ± 0.25 | | CHECKED BY MSASAO | | DATE 2006/07/10 | THIRD ANGLE PROJECTION | |
| | | 30 OVER ± 0.3 | | APPROVED BY MSASAO | | DATE 2006/07/10 | TITLE 0.4MM PITCH B/B CONN. PLUG ASSY (HGT=0.9) EMBSTP PKG | |
| ANGULAR $\pm 3^\circ$ | | DRAFT WHERE APPLICABLE MUST REMAIN WITHIN DIMENSIONS | | MATERIAL NO. SEE SHEET 1 | | DOCUMENT NO. SD-501594-006 | | SHEET NO. 1 OF 2 |
| | | | | SIZE A3 | | THIS DRAWING CONTAINS INFORMATION THAT IS PROPRIETARY TO MOLEX INCORPORATED AND SHOULD NOT BE USED WITHOUT WRITTEN PERMISSION | | |

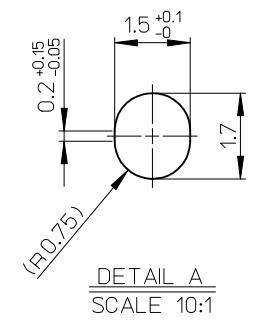
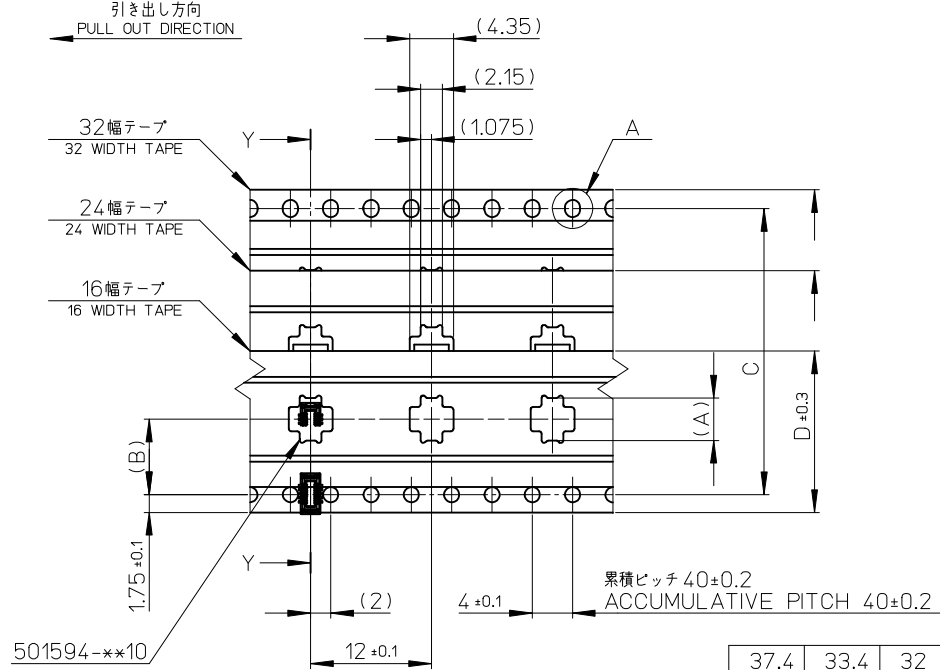
10 9 8 7 6 5 4 3 2 1



SECT Y-Y
(FOR 16 WIDTH TAPE)

SECT Y-Y
(FOR 24 WIDTH TAPE AND 32 WIDTH TAPE)

引き出し方向
PULL OUT DIRECTION



| | | | | | | | |
|------|------|----|------|------|-------|--------------|------------|
| 37.4 | 33.4 | 32 | 28.4 | 14.2 | 16.21 | 501594-7011 | 70 |
| 29.4 | 25.4 | 24 | — | 11.5 | 13.01 | 501594-5411 | 54 |
| | | | | | 12.21 | 501594-5011 | 50 |
| | | | | | 11.01 | 501594-4411 | 44 |
| | | | | | 10.21 | 501594-4011 | 40 |
| | | | | | 9.01 | 501594-3411 | 34 |
| | | | | | 8.21 | 501594-3011 | 30 |
| | | | | | 7.41 | 501594-2611 | 26 |
| 21.4 | 17.4 | 16 | — | 7.5 | 7.01 | 501594-2411 | 24 |
| | | | | | 6.61 | 501594-2211 | 22 |
| F | E | D | C | (B) | 6.21 | 501594-2011 | 20 |
| | | | | | 4.61 | 501594-1211 | 12 |
| | | | | | 4.21 | 501594-1011 | 10 |
| | | | | | (A) | MATERIAL NO. | 極数 CKT. |

| | | | | | | | | |
|--|---------------------------------------|---|-----------------------------------|--------------------|---|-------------------------------|-------------|-----------|
| REVISED EC NO: J2008-3370 DRW/KSETO 2008/06/17 CHKD:MSASAO 2008/06/17 APPR:MSASAO 2008/06/25 REV DESCRIPTION | GENERAL TOLERANCES (UNLESS SPECIFIED) | | DIMENSION STYLE MM ONLY | | SCALE --- | DESIGN UNITS METRIC | 501594-**11 | MODEL NO. |
| | 10 UNDER | ± 0.2 | DRAWN BY TASAKAWA | DATE 2006/07/10 | TITLE 0.4MM PITCH B/B CONN. PLUG ASSY (HGT=0.9) EMBSTP PKG | | | |
| | 10 OVER 30 UNDER | ± 0.25 | CHECKED BY MSASAO | DATE 2006/07/10 | MOLEX INCORPORATED | | | |
| | 30 OVER | ± 0.3 | APPROVED BY MSASAO | DATE 2006/07/10 | DOCUMENT NO. SD-501594-006 | | | |
| | ANGULAR ± 3 ° | | MATERIAL NO. SEE TABLE | | SHEET NO. 2 OF 2 | | | |
| DRAFT WHERE APPLICABLE MUST REMAIN WITHIN DIMENSIONS | | THIS DRAWING CONTAINS INFORMATION THAT IS PROPRIETARY TO MOLEX INCORPORATED AND SHOULD NOT BE USED WITHOUT WRITTEN PERMISSION | | | | | | |



Компания «ЭлектроПласт» предлагает заключение долгосрочных отношений при поставках импортных электронных компонентов на взаимовыгодных условиях!

Наши преимущества:

- Оперативные поставки широкого спектра электронных компонентов отечественного и импортного производства напрямую от производителей и с крупнейших мировых складов;
- Поставка более 17-ти миллионов наименований электронных компонентов;
- Поставка сложных, дефицитных, либо снятых с производства позиций;
- Оперативные сроки поставки под заказ (от 5 рабочих дней);
- Экспресс доставка в любую точку России;
- Техническая поддержка проекта, помощь в подборе аналогов, поставка прототипов;
- Система менеджмента качества сертифицирована по Международному стандарту ISO 9001;
- Лицензия ФСБ на осуществление работ с использованием сведений, составляющих государственную тайну;
- Поставка специализированных компонентов (Xilinx, Altera, Analog Devices, Intersil, Interpoint, Microsemi, Aeroflex, Peregrine, Syfer, Eurofarad, Texas Instrument, Miteq, Cobham, E2V, MA-COM, Hittite, Mini-Circuits, General Dynamics и др.);

Помимо этого, одним из направлений компании «ЭлектроПласт» является направление «Источники питания». Мы предлагаем Вам помощь Конструкторского отдела:

- Подбор оптимального решения, техническое обоснование при выборе компонента;
- Подбор аналогов;
- Консультации по применению компонента;
- Поставка образцов и прототипов;
- Техническая поддержка проекта;
- Защита от снятия компонента с производства.



Как с нами связаться

Телефон: 8 (812) 309 58 32 (многоканальный)

Факс: 8 (812) 320-02-42

Электронная почта: org@eplast1.ru

Адрес: 198099, г. Санкт-Петербург, ул. Калинина, дом 2, корпус 4, литера А.