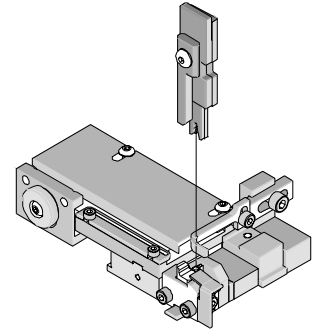




T2 Terminator Tooling Specification Sheet Part No. 63910-5000



FEATURES

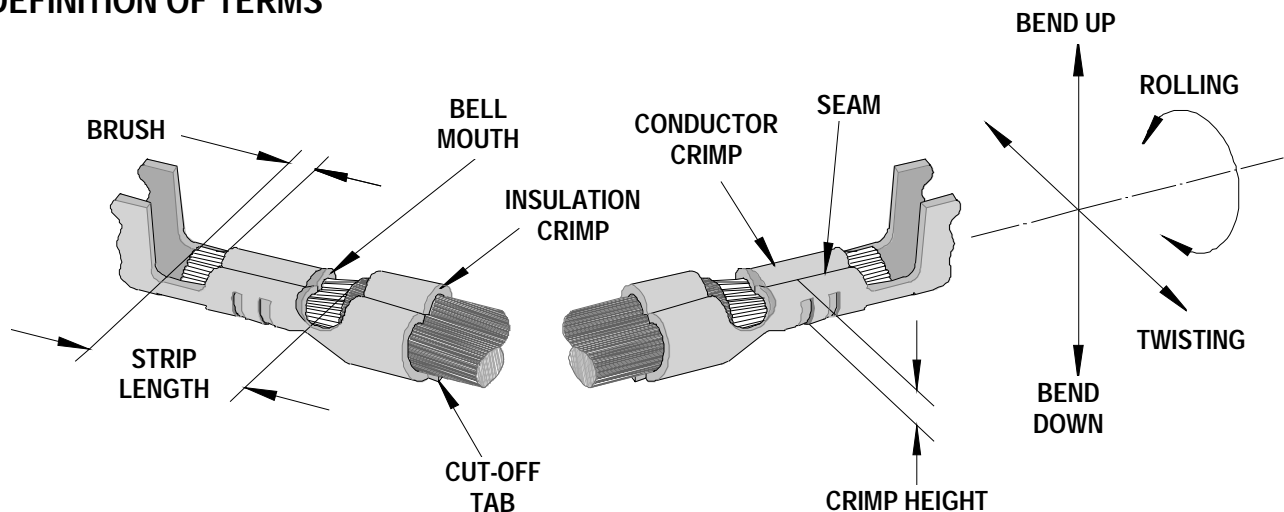
- It is ideally suited for mid-volume bench operations
- This terminator can be installed in the TM42 and the TM40 press or Base Unit adapter for 3BF press
- Quick punch removal with the push of a button for fast and easy tooling change
- Track adjustment capabilities in the T2 Terminators for improved control of the bell mouth size and cutoff tab length
- T2 Terminator has standardized tooling with the Molex FineAdjust Applicator which will reduce your inventory requirements

SCOPE

Products: 2.50mm (.098") Pitch SPOX™ Male Crimp Terminal, 22 - 28 AWG.

| Terminal Series No. | Terminal Order No. | | Wire Size | | Insulation Diameter | | Strip Length | |
|---------------------|--------------------|------------|-----------|-----------------|---------------------|-----------|--------------|-----------|
| | | | AWG | mm ² | mm | In. | mm | In. |
| 5263 | 08-70-1039 | 39-00-0042 | 22 - 28 | 0.35-0.08 | 1.15-1.90 | .045-.075 | 2.40-2.90 | .094-.114 |
| | 08-70-1045 | 39-00-0151 | | | | | | |
| | 08-70-1047 | 98-00-0242 | | | | | | |
| | 08-70-1048 | | | | | | | |
| 45627 | 45627-0001 | 45627-1001 | 22 - 24 | 0.35-0.20 | 1.15-1.90 | .045-.075 | 2.40-2.90 | .094-.114 |
| | 45627-0002 | 45627-1002 | | | | | | |

DEFINITION OF TERMS



The above terminal drawing is a generic terminal representation. It is not an image of a terminal listed in the scope.

CRIMP SPECIFICATION

| Terminal Series No. | Bell mouth | | Cut-off Tab Maximum | | Conductor Brush | |
|---------------------|------------|-----------|---------------------|------|-----------------|-----------|
| | mm | In. | mm | In. | mm | In. |
| 5263 | 0.20-0.50 | .008-.020 | 0.30 | .012 | 0.00-1.00 | .000-.039 |
| 45627 | 0.20-0.50 | .008-.020 | 0.30 | .012 | 0.00-1.00 | .000-.039 |

| Terminal Series No. | Bend up | Bend down | Twist | Roll | Punch Width (Ref) | | | | Seam Seam shall not be open and no wire allowed out of the crimping area |
|---------------------|---------|-----------|--------|------|-------------------|------|------------|------|---|
| | Degree | | Degree | | Conductor | | Insulation | | |
| | | | | | mm | In | mm | In | |
| 5263 | 4 | 2 | 8 | 8 | 1.40 | .055 | 1.90 | .075 | |
| 45627 | 4 | 2 | 8 | 8 | 1.40 | .055 | 1.90 | .075 | |

After crimping, the conductor profile should measure the following.

| Terminal Series No. | Wire Size | | Crimp Height | | Pull Force Minimum | |
|---------------------|-----------|-----------------|--------------|-----------|--------------------|-----|
| | AWG | mm ² | mm | In. | N | Lb. |
| 5263 | 22 | 0.35 | 0.69-0.76 | .027-.030 | 39.1 | 8.8 |
| | 24 | 0.20 | 0.63-0.70 | .025-.028 | 29.4 | 6.6 |
| | 26 | 0.12 | 0.59-0.65 | .023-.026 | 19.6 | 4.4 |
| | 28 | 0.08 | 0.57-0.63 | .022-.025 | 9.8 | 2.2 |
| 45627 | 22 | 0.35 | 0.69-0.76 | .027-.030 | 39.1 | 8.8 |
| | 24 | 0.20 | 0.63-0.70 | .025-.028 | 29.4 | 6.6 |

Pull Force should be measured with no influence from the insulation crimp.
The above specifications are guidelines to an optimum crimp.

PARTS LIST

| T2 Terminator 63910-5000 | | | | |
|--|-----------------|------------------------|--------------------------|-----------------|
| Item | Order No | Engineering No. | Description | Quantity |
| Perishable Tooling | | | | |
| | 63910-5070 | 63910-5070 | Tool Kit (All "Y" Items) | REF |
| 1 | 63444-1413 | 63444-1413 | Conductor Punch | 1 Y |
| 2 | 63445-1435 | 63445-1435 | Conductor Anvil | 1 Y |
| 3 | 63446-1906 | 63446-1906 | Insulation Punch | 1 Y |
| 4 | 63445-1906 | 63445-1906 | Insulation Anvil | 1 Y |
| 5 | 63443-0002 | 63443-0002 | Front Cut-Off Plunger | 1 Y |
| 6 | 63443-0012 | 63443-0012 | Front Plunger Retainer | 1 Y |
| Other Components (REF 105050) | | | | |
| 7 | 11-18-4083 | 60707-8 | Feed Guide | 1 |
| 8 | 11-24-1067 | 4996-4 | Cut-Off Plunger Spring | 1 |
| 9 | 11-40-4039 | 8302-5 | Plunger Striker | 1 |
| 10 | 63443-0009 | 63443-0009 | Front Scrap Chute | 1 |
| 11 | 63443-0024 | 63443-0024 | Key | 1 |
| 12 | 63443-0085 | 63443-0085 | Wire Stop L-Bracket | 1 |
| 13 | 63443-0090 | 63443-0090 | Wire Stop | 1 |
| 14 | 63443-1703 | 63443-1703 | 17.30mm Height Spacer | 1 |
| 15 | 63443-2216 | 63443-2216 | 16.00mm Coarse Spacer | 1 |
| 16 | 63443-2310 | 63443-2310 | 3.50mm Fine Spacer | 1 |
| 17 | 63443-6011 | 63443-6011 | Rear Cover | 1 |
| Frame | | | | |
| 18 | 63800-8500 | 63800-8500 | T2 Terminator | 1 |
| Hardware | | | | |
| 19 | N/A | N/A | M3 by 6 Long SHCS | 2** |
| 20 | N/A | N/A | M3 by 6 Long FHCS | 1** |
| 21 | N/A | N/A | M4 by 6 Long SHCS | 2** |
| 22 | N/A | N/A | M4 by 12 Long BHCS | 2** |
| 23 | N/A | N/A | M4 by 14 Long SHCS | 2** |
| 24 | N/A | N/A | M4 by 50 Long SHCS | 2** |
| 25 | N/A | N/A | M5 by 12 Long SHCS | 1** |
| 26 | N/A | N/A | #10-32 by 3/8" Long BHCS | 1** |
| ** Available from an industrial supply company such as MSC (1-800-645-7270). | | | | |

Assembly Drawing

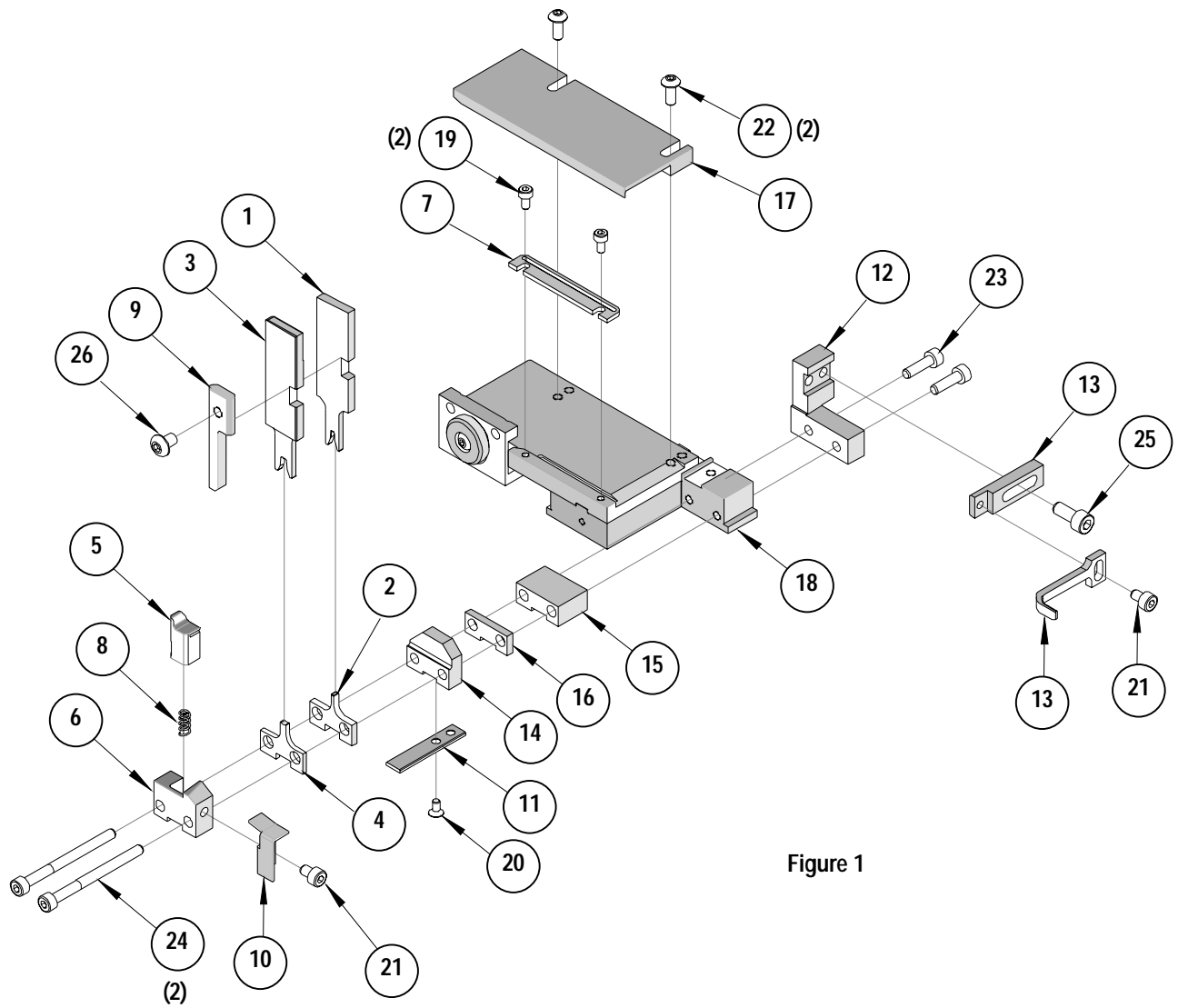


Figure 1

NOTES

Depending on the press vintage a feed finger assembly is supplied with the T2 Terminator.

1. To remove the existing feed finger assembly loosens the M4 x 10 mm set screw in the feed lever.
2. Select T2 Feed finger assembly from Terminator box.
3. Insert a screwdriver into the slot behind the feed lever and force the feed arm spring to the right.
4. Slide the T2 feed finger shaft for TM42 (11-40-5307) or (11-40-0123) for TM40 /Base Unit into the feed lever and to the left of the feed arm spring.
5. Release the feed arm spring.
6. Position feed finger for selected product. (Refer to Figure 5.1 in the T2 Manual).

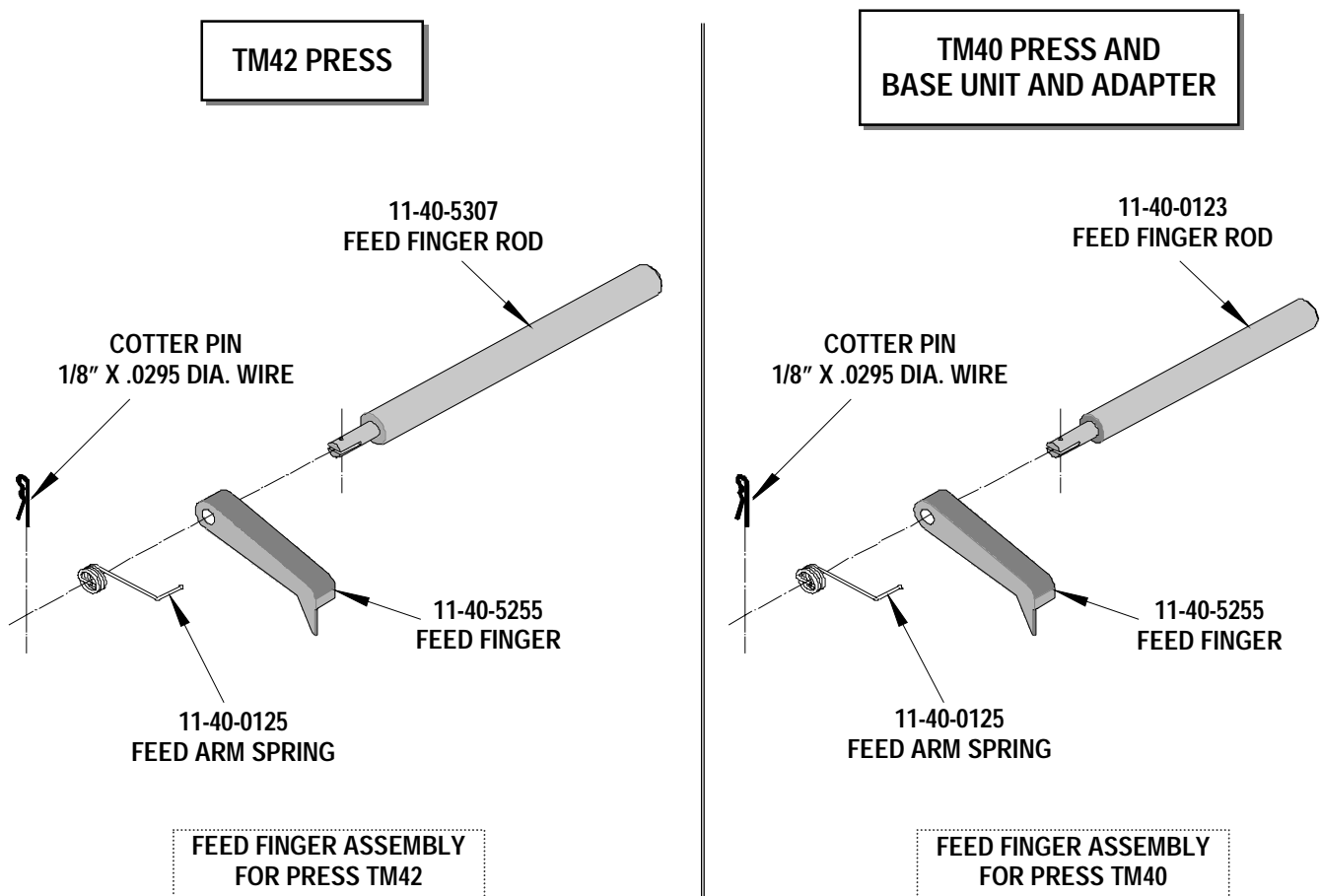


Figure 2

NOTES

1. Molex recommends an extra perishable tooling kit be maintained at your facility.
2. Verify tooling alignment by manually cycling the press before crimping under power. Check that all screws are tight.
3. Slugs, Terminals, Dirt and Oil should be kept clear of work area.
4. This Terminator should be only used in a Molex TM42, TM40, or 3BF Press with a Base Unit adaptor.
5. Wear safety glasses at all times.
6. For recommended maintenance refer to the TM40, TM42 Manual.

CAUTION: To prevent injury never operate this Terminator without the guards supplied with the press or in place. Reference the TM42 press manufacturer's instruction manual.

CAUTION: Molex crimp specifications are valid only when used with Molex terminals, applicators and tooling.

Americas Headquarters
Lisle, Illinois 60532 U.S.A.
1-800-78MOLEX
amerinfo@molex.com

Far East North Headquarters
Yamato, Kanagawa, Japan
81-462-65-2324
feninfo@molex.com

Far East South Headquarters
Jurong, Singapore
65-6-268-6868
fesinfo@molex.com

European Headquarters
Munich, Germany
49-89-413092-0
eurinfo@molex.com

Corporate Headquarters
2222 Wellington Ct.
Lisle, IL 60532 U.S.A.
630-969-4550
Fax: 630-969-1352

Visit our Web site at <http://www.molex.com>



Компания «ЭлектроПласт» предлагает заключение долгосрочных отношений при поставках импортных электронных компонентов на взаимовыгодных условиях!

Наши преимущества:

- Оперативные поставки широкого спектра электронных компонентов отечественного и импортного производства напрямую от производителей и с крупнейших мировых складов;
- Поставка более 17-ти миллионов наименований электронных компонентов;
- Поставка сложных, дефицитных, либо снятых с производства позиций;
- Оперативные сроки поставки под заказ (от 5 рабочих дней);
- Экспресс доставка в любую точку России;
- Техническая поддержка проекта, помощь в подборе аналогов, поставка прототипов;
- Система менеджмента качества сертифицирована по Международному стандарту ISO 9001;
- Лицензия ФСБ на осуществление работ с использованием сведений, составляющих государственную тайну;
- Поставка специализированных компонентов (Xilinx, Altera, Analog Devices, Intersil, Interpoint, Microsemi, Aeroflex, Peregrine, Syfer, Eurofarad, Texas Instrument, Miteq, Cobham, E2V, MA-COM, Hittite, Mini-Circuits, General Dynamics и др.);

Помимо этого, одним из направлений компании «ЭлектроПласт» является направление «Источники питания». Мы предлагаем Вам помощь Конструкторского отдела:

- Подбор оптимального решения, техническое обоснование при выборе компонента;
- Подбор аналогов;
- Консультации по применению компонента;
- Поставка образцов и прототипов;
- Техническая поддержка проекта;
- Защита от снятия компонента с производства.



Как с нами связаться

Телефон: 8 (812) 309 58 32 (многоканальный)

Факс: 8 (812) 320-02-42

Электронная почта: org@eplast1.ru

Адрес: 198099, г. Санкт-Петербург, ул. Калинина, дом 2, корпус 4, литера А.