

USC SERIES

85°C Standard

\*Load Life : 85°C 3000 hours.



◆SPECIFICATIONS

Items	Characteristics																									
Category Temperature Range	-40~+85°C	-25~+85°C																								
Rated Voltage Range	10~250Vdc	315~450Vdc																								
Capacitance Tolerance	±20% (20°C, 120Hz)																									
Leakage Current(MAX)	$I=3\sqrt{CV}$ (After 5 minutes application of rated voltage) I=Leakage Current(µA)      C=Capacitance(µF)      V=Rated Voltage(Vdc)																									
Dissipation Factor(MAX) (tanδ)	<table border="1"> <thead> <tr> <th>Rated Voltage (Vdc)</th> <th>10</th> <th>16</th> <th>25</th> <th>35</th> <th>50</th> <th>63</th> <th>80</th> <th>100</th> <th>160~400</th> <th>420~450</th> <th>(20°C, 120Hz)</th> </tr> </thead> <tbody> <tr> <td>tanδ</td> <td>0.55</td> <td>0.50</td> <td>0.45</td> <td>0.40</td> <td>0.35</td> <td>0.30</td> <td>0.25</td> <td>0.20</td> <td>0.15</td> <td>0.25</td> <td></td> </tr> </tbody> </table>		Rated Voltage (Vdc)	10	16	25	35	50	63	80	100	160~400	420~450	(20°C, 120Hz)	tanδ	0.55	0.50	0.45	0.40	0.35	0.30	0.25	0.20	0.15	0.25	
Rated Voltage (Vdc)	10	16	25	35	50	63	80	100	160~400	420~450	(20°C, 120Hz)															
tanδ	0.55	0.50	0.45	0.40	0.35	0.30	0.25	0.20	0.15	0.25																
Endurance	After applying rated voltage with rated ripple current for 3000 hours at 85°C, the capacitors shall meet the following requirements. <table border="1"> <tbody> <tr> <td>Capacitance Change</td> <td>Within ±20% of the initial value.</td> </tr> <tr> <td>Dissipation Factor</td> <td>Not more than 200% of the specified value.</td> </tr> <tr> <td>Leakage Current</td> <td>Not more than the specified value.</td> </tr> </tbody> </table>		Capacitance Change	Within ±20% of the initial value.	Dissipation Factor	Not more than 200% of the specified value.	Leakage Current	Not more than the specified value.																		
Capacitance Change	Within ±20% of the initial value.																									
Dissipation Factor	Not more than 200% of the specified value.																									
Leakage Current	Not more than the specified value.																									
Low Temperature Stability Impedance Ratio(MAX)	<table border="1"> <thead> <tr> <th>Rated Voltage (Vdc)</th> <th>10~250</th> <th>315~400</th> <th>420~450</th> <th>(120Hz)</th> </tr> </thead> <tbody> <tr> <td>Z(-25°C)/Z(20°C)</td> <td>3</td> <td>8</td> <td>12</td> <td></td> </tr> <tr> <td>Z(-40°C)/Z(20°C)</td> <td>12</td> <td>-</td> <td>-</td> <td></td> </tr> </tbody> </table>		Rated Voltage (Vdc)	10~250	315~400	420~450	(120Hz)	Z(-25°C)/Z(20°C)	3	8	12		Z(-40°C)/Z(20°C)	12	-	-										
Rated Voltage (Vdc)	10~250	315~400	420~450	(120Hz)																						
Z(-25°C)/Z(20°C)	3	8	12																							
Z(-40°C)/Z(20°C)	12	-	-																							

◆MULTIPLIER FOR RIPPLE CURRENT

Frequency (Hz)		60(50)	120(100)	300	500	1k	10k≦
Coefficient	10~100Vdc	0.90	1.00	1.03	1.05	1.10	1.15
	160~250Vdc	0.80	1.00	1.15	1.20	1.30	1.50
	315~450Vdc	0.80	1.00	1.15	1.20	1.25	1.40

◆OPTION

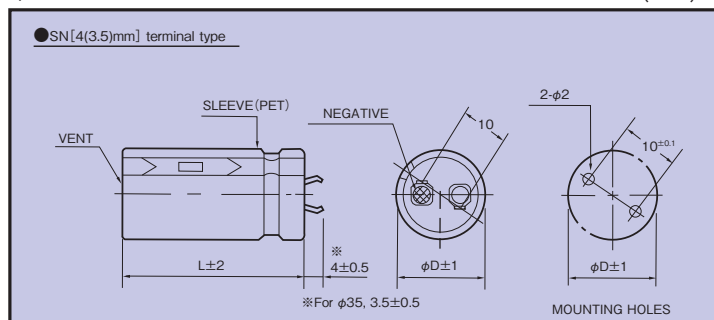
	Code
PET Sleeve without plate	EFC

◆PART NUMBER

□□□ USC □□□□□ M □□□ SN DXL  
 Rated Voltage      Series      Capacitance      Capacitance Tolerance      Option      Terminal Code      Case Size

◆DIMENSIONS

(mm)



**◆ STANDARD SIZE**

Cap ( $\mu$ F)	Vdc $\phi$ D	10					16				
		$\phi$ 20	$\phi$ 22	$\phi$ 25	$\phi$ 30	$\phi$ 35	$\phi$ 20	$\phi$ 22	$\phi$ 25	$\phi$ 30	$\phi$ 35
8200							20x25: 2.56				
10000		20x25: 2.22					20x30: 2.85	22x25: 2.85			
12000		20x30: 2.44	22x25: 2.41				20x35: 3.20	22x30: 3.20			
15000		20x35: 2.90	22x30: 2.88	25x25: 2.88			20x40: 3.70	22x35: 3.70	25x25: 3.70		
18000		20x40: 3.31	22x35: 3.22	25x30: 3.08				22x40: 3.98	25x30: 3.98		
22000			22x40: 3.79	25x30: 3.66	30x25: 3.58			22x45: 4.52	25x35: 4.52	30x25: 4.52	
27000			22x45: 4.04	25x35: 4.04	30x30: 3.99			22x50: 4.98	25x40: 4.98	30x30: 4.98	
33000			22x50: 4.58	25x40: 4.56	30x30: 4.58				25x45: 5.49	30x35: 5.49	35x30: 5.49
39000				25x45: 5.29	30x35: 5.21	35x30: 5.05			25x50: 6.11	30x40: 6.11	35x35: 6.11
47000				25x50: 5.78	30x40: 5.78	35x35: 5.55				30x45: 6.80	35x35: 6.80
56000					30x45: 6.59	35x35: 6.40				30x50: 7.62	35x40: 7.62
68000					30x50: 7.50	35x40: 7.48					35x45: 8.45
82000						35x50: 8.50					35x50: 9.14

Cap ( $\mu$ F)	Vdc $\phi$ D	25					35				
		$\phi$ 20	$\phi$ 22	$\phi$ 25	$\phi$ 30	$\phi$ 35	$\phi$ 20	$\phi$ 22	$\phi$ 25	$\phi$ 30	$\phi$ 35
3300							20x25: 2.14				
3900							20x30: 2.28				
4700							20x35: 2.46	22x25: 2.46			
5600		20x25: 2.33					20x40: 2.79	22x30: 2.79	25x25: 2.79		
6800		20x30: 2.56	22x25: 2.56					22x35: 2.89	25x30: 2.89		
8200		20x35: 2.91	22x30: 2.91					22x40: 3.47	25x30: 3.47	30x25: 3.47	
10000		20x40: 3.18	22x35: 3.18	25x25: 3.18				22x45: 3.59	25x35: 3.59	30x30: 3.59	
12000			22x40: 3.53	25x30: 3.53				22x50: 4.51	25x40: 4.51	30x30: 4.51	
15000			22x45: 4.08	25x35: 4.08	30x25: 4.08			25x45: 4.80	30x35: 4.80	35x30: 4.80	
18000			22x50: 4.68	25x40: 4.68	30x30: 4.68				30x40: 5.70	35x35: 5.70	
22000				25x45: 5.19	30x35: 5.19	35x30: 5.19				30x45: 6.38	35x40: 6.38
27000				25x50: 6.02	30x40: 6.02	35x35: 6.02					35x45: 6.90
33000					30x45: 6.75	35x40: 6.75					35x50: 7.49
39000					30x50: 7.56	35x45: 7.56					
47000						35x50: 8.30					

Cap ( $\mu$ F)	Vdc $\phi$ D	50					63				
		$\phi$ 20	$\phi$ 22	$\phi$ 25	$\phi$ 30	$\phi$ 35	$\phi$ 20	$\phi$ 22	$\phi$ 25	$\phi$ 30	$\phi$ 35
1500							20x25: 1.69				
1800							20x30: 2.04	22x25: 2.04			
2200		20x25: 2.07					20x35: 2.40	22x30: 2.40			
2700		20x30: 2.21	22x25: 2.21				20x40: 2.52	22x35: 2.52	25x25: 2.52		
3300		20x35: 2.41	22x30: 2.41					22x40: 2.69	25x30: 2.69		
3900		20x40: 2.72	22x30: 2.72	25x25: 2.72				22x45: 3.10	25x35: 3.10	30x25: 3.10	
4700			22x35: 3.01	25x30: 3.01				22x50: 3.49	25x40: 3.49	30x30: 3.49	
5600			22x40: 3.43	25x35: 3.43	30x25: 3.43				25x45: 3.81	30x35: 3.81	
6800			22x45: 3.94	25x35: 3.94	30x30: 3.94				25x50: 4.41	30x40: 4.41	35x30: 4.41
8200				25x40: 4.37	30x35: 4.37					30x45: 4.90	35x35: 4.90
10000				25x50: 5.02	30x40: 5.02	35x30: 5.02				30x50: 5.49	35x40: 5.49
12000					30x45: 5.60	35x35: 5.60					35x45: 6.30
15000					30x50: 6.44	35x40: 6.44					
18000						35x45: 6.71					

Cap ( $\mu$ F)	Vdc $\phi$ D	80					100				
		$\phi$ 20	$\phi$ 22	$\phi$ 25	$\phi$ 30	$\phi$ 35	$\phi$ 20	$\phi$ 22	$\phi$ 25	$\phi$ 30	$\phi$ 35
680							20x25: 1.66				
820							20x30: 1.86	22x25: 1.86			
1000		20x25: 1.56					20x30: 2.02	22x30: 2.02			
1200		20x30: 1.80	22x25: 1.80				20x35: 2.12	22x30: 2.12	25x25: 2.12		
1500		20x30: 2.10	22x30: 2.10				20x40: 2.45	22x35: 2.45	25x30: 2.45		
1800		20x35: 2.30	22x30: 2.30	25x25: 2.30				22x40: 2.77	25x30: 2.77	30x25: 2.77	
2200		20x40: 2.53	22x35: 2.53	25x30: 2.53				22x45: 3.12	25x35: 3.12	30x30: 3.12	
2700			22x40: 2.93	25x35: 2.93	30x25: 2.93				25x40: 3.61	30x30: 3.61	
3300			22x45: 3.25	25x35: 3.25	30x30: 3.25				25x50: 4.06	30x35: 4.06	35x30: 4.06
3900				25x40: 3.62	30x35: 3.62					30x40: 4.60	35x35: 4.60
4700				25x45: 4.28	30x40: 4.28	35x30: 4.28				30x45: 5.13	35x40: 5.13
5600					30x45: 4.55	35x35: 4.55					35x45: 5.75
6800					30x45: 5.83	35x40: 5.83					35x50: 6.01
8200						35x45: 6.40					
10000						35x50: 7.03					

↑ Ripple Current (A r.m.s./120Hz, 85°C)  
↑ Case Size  $\phi$ D×L(mm)

**◆ STANDARD SIZE**

Cap ( $\mu$ F)	Vdc $\phi$ D	160					180					
		$\phi$ 20	$\phi$ 22	$\phi$ 25	$\phi$ 30	$\phi$ 35	$\phi$ 20	$\phi$ 22	$\phi$ 25	$\phi$ 30	$\phi$ 35	
270		20x25: 1.28					20x25: 1.29					
330		20x25: 1.55					20x30: 1.77	22x25: 1.49				
390		20x30: 1.63	22x25: 1.63				20x30: 1.84	22x25: 1.84				
470		20x30: 1.90	22x30: 1.86	25x25: 1.86			20x35: 1.91	22x30: 1.91	25x25: 2.08			
560		20x35: 2.14	22x30: 2.15	25x25: 2.15			20x40: 2.15	22x35: 2.25	25x25: 2.25			
680		20x40: 2.35	22x35: 2.35	25x30: 2.33	30x25: 2.33			22x35: 2.48	25x30: 2.50	30x25: 2.46		
820			22x40: 2.68	25x30: 2.65	30x25: 2.64			22x40: 2.86	25x35: 2.75	30x25: 2.69		
1000			22x45: 3.02	25x35: 3.00	30x30: 2.96			22x50: 3.10	25x40: 3.06	30x30: 3.10		
1200				25x40: 3.43	30x30: 3.41	35x30: 3.40			25x45: 3.63	30x35: 3.55	35x30: 3.49	
1500				25x50: 3.96	30x35: 3.96	35x30: 3.94				30x40: 4.10	35x35: 4.02	
1800					30x40: 4.31	35x35: 4.28				30x45: 4.55	35x35: 4.54	
2200					30x50: 4.96	35x40: 4.96					35x40: 4.83	
2700						35x45: 5.57					35x50: 5.30	

Cap ( $\mu$ F)	Vdc $\phi$ D	200					220					
		$\phi$ 20	$\phi$ 22	$\phi$ 25	$\phi$ 30	$\phi$ 35	$\phi$ 20	$\phi$ 22	$\phi$ 25	$\phi$ 30	$\phi$ 35	
220		20x25: 1.19					20x25: 1.23					
270		20x25: 1.39	22x25: 1.37				20x30: 1.46	22x25: 1.42				
330		20x30: 1.56	22x25: 1.51				20x35: 1.64	22x30: 1.59				
390		20x35: 1.74	22x30: 1.73	25x25: 1.71			20x35: 1.79	22x30: 1.80	25x25: 1.75			
470		20x35: 2.03	22x30: 1.97	25x25: 1.95			20x40: 2.12	22x35: 2.06	25x30: 2.08			
560		20x40: 2.18	22x35: 2.18	25x30: 2.15	30x25: 2.15			22x40: 2.22	25x35: 2.38	30x25: 2.18		
680			22x40: 2.48	25x30: 2.48	30x25: 2.48			22x45: 2.62	25x35: 2.56	30x30: 2.52		
820			22x45: 2.81	25x35: 2.79	30x30: 2.75				25x45: 2.91	30x35: 2.84	35x30: 2.79	
1000			22x50: 3.28	25x40: 3.28	30x35: 3.15					30x35: 3.36	35x30: 3.29	
1200				25x45: 3.61	30x35: 3.61	35x30: 3.57				30x40: 3.72	35x35: 3.68	
1500					30x45: 4.13	35x35: 4.06				30x50: 4.18	35x40: 4.10	
1800					30x50: 4.60	35x40: 4.59					35x45: 4.52	
2200						35x45: 5.25						

Cap ( $\mu$ F)	Vdc $\phi$ D	250					315					
		$\phi$ 20	$\phi$ 22	$\phi$ 25	$\phi$ 30	$\phi$ 35	$\phi$ 20	$\phi$ 22	$\phi$ 25	$\phi$ 30	$\phi$ 35	
150							20x30: 1.00					
180		20x25: 1.20					20x35: 1.13	22x30: 1.29	25x25: 1.38			
220		20x25: 1.26	22x25: 1.24				20x35: 1.29	22x30: 1.41	25x25: 1.47			
270		20x30: 1.42	22x25: 1.50					22x35: 1.68	25x30: 1.70			
330		20x35: 1.68	22x30: 1.66	25x25: 1.61				22x40: 1.91	25x35: 1.94	30x25: 1.98		
390		20x40: 1.92	22x35: 1.88	25x30: 1.88				22x45: 2.07	25x40: 2.11	30x30: 2.15		
470			22x35: 2.15	25x35: 2.15	30x25: 2.04				25x50: 2.31	30x35: 2.38	35x30: 2.36	
560			22x40: 2.48	25x35: 2.35	30x25: 2.35					30x35: 2.63	35x30: 2.69	
680				25x40: 2.67	30x30: 2.71					30x45: 2.80	35x35: 3.05	
820				25x45: 3.01	30x35: 2.98	35x30: 2.96				30x50: 3.28	35x40: 3.45	
1000					30x40: 3.56	35x35: 3.48					35x45: 3.57	
1200					30x45: 3.99	35x35: 3.84						
1500						35x40: 4.33						
1800						35x50: 4.54						

Cap ( $\mu$ F)	Vdc $\phi$ D	350					385					
		$\phi$ 20	$\phi$ 22	$\phi$ 25	$\phi$ 30	$\phi$ 35	$\phi$ 20	$\phi$ 22	$\phi$ 25	$\phi$ 30	$\phi$ 35	
68							20x25: 0.68					
82							20x30: 0.74	22x25: 0.76				
100							20x30: 0.86	22x30: 0.89				
120		20x30: 0.96	22x25: 1.04					20x35: 0.96	22x30: 0.98	25x25: 1.02		
150		20x30: 1.10	22x30: 1.20	25x25: 1.22				20x35: 1.10	22x35: 1.12	25x30: 1.14		
180		20x35: 1.24	22x30: 1.34	25x25: 1.37				20x40: 1.27	22x35: 1.27	25x30: 1.30	30x25: 1.37	
220			22x35: 1.47	25x30: 1.53	30x25: 1.54				22x40: 1.42	25x35: 1.48	30x30: 1.49	
270			22x40: 1.70	25x35: 1.73	30x25: 1.80				22x50: 1.60	25x40: 1.61	30x30: 1.64	
330			22x45: 1.87	25x35: 1.97	30x30: 2.03					25x45: 1.80	30x35: 1.85	35x30: 1.87
390				25x40: 2.14	30x35: 2.23	35x30: 2.30				25x50: 2.04	30x40: 2.05	35x35: 2.07
470				25x50: 2.55	30x35: 2.53	35x30: 2.55					30x45: 2.26	35x35: 2.26
560					30x40: 2.73	35x35: 2.75					30x50: 2.57	35x40: 2.59
680					30x50: 3.15	35x40: 3.15						35x45: 2.80
820						35x45: 3.47						
1000						35x50: 3.60						

↑ Ripple Current (A r.m.s./120Hz, 85°C)  
 ↑ Case Size  $\phi$ D×L(mm)

**◆ STANDARD SIZE**

Cap ( $\mu$ F)	Vdc $\phi$ D	400					420					
		$\phi$ 20	$\phi$ 22	$\phi$ 25	$\phi$ 30	$\phi$ 35	$\phi$ 20	$\phi$ 22	$\phi$ 25	$\phi$ 30	$\phi$ 35	
68		20x25; 0.75					20x25; 0.70					
82		20x30; 0.82	22x25; 0.84				20x30; 0.80	22x25; 0.85				
100		20x30; 0.95	22x30; 0.99				20x35; 0.90	22x30; 0.97	25x25; 0.98			
120		20x35; 1.07	22x30; 1.09	25x25; 1.13			20x35; 1.04	22x30; 1.07	25x25; 1.08			
150		20x40; 1.22	22x35; 1.24	25x30; 1.27			20x40; 1.17	22x35; 1.21	25x30; 1.26	30x25; 1.30		
180			22x40; 1.41	25x30; 1.44	30x25; 1.52			22x40; 1.33	25x35; 1.42	30x25; 1.48		
220			22x45; 1.58	25x35; 1.64	30x30; 1.66			22x45; 1.55	25x35; 1.58	30x30; 1.65		
270				25x40; 1.79	30x30; 1.82				25x40; 1.74	30x35; 1.90	35x30; 1.94	
330				25x45; 2.00	30x35; 2.05	35x30; 2.05			25x50; 2.20	30x35; 1.98	35x35; 2.17	
390					30x40; 2.26	35x35; 2.28				30x40; 2.22	35x35; 2.27	
470					30x45; 2.51	35x40; 2.54				30x45; 2.50	35x40; 2.61	
560					30x50; 2.85	35x40; 2.85					35x45; 2.95	
680						35x50; 3.10						

Cap ( $\mu$ F)	Vdc $\phi$ D	450				
		$\phi$ 20	$\phi$ 22	$\phi$ 25	$\phi$ 30	$\phi$ 35
56		20x25; 0.61				
68		20x30; 0.70	22x25; 0.71			
82		20x35; 0.80	22x25; 0.86			
100		20x35; 0.88	22x30; 0.95	25x25; 0.97		
120		20x40; 0.99	22x35; 1.07	25x30; 1.09	30x25; 1.12	
150			22x40; 1.18	25x30; 1.25	30x25; 1.29	
180			22x45; 1.32	25x35; 1.40	30x30; 1.45	
220				25x40; 1.59	30x30; 1.64	35x30; 1.66
270				25x45; 1.73	30x35; 1.89	35x30; 1.90
330				25x50; 2.12	30x40; 2.12	35x35; 2.15
390					30x45; 2.35	35x40; 2.38
470					30x50; 2.65	35x45; 2.68
560						35x50; 2.88

↑ Ripple Current (A r.m.s./120Hz, 85°C)  
 ↑ Case Size  $\phi$ D×L(mm)

# Mouser Electronics

Authorized Distributor

Click to View Pricing, Inventory, Delivery & Lifecycle Information:

## Rubycon:

[180USC470MEFCSN22X30](#) [63USC5600MEFCSN25X45](#) [250USC180MEFCSN20X25](#) [16USC68000MEFCSN35X45](#)  
[25USC10000MEFCSN25X25](#) [100USC2200MEFCSN25X35](#) [80USC10000MEFCSN35X50](#)  
[315USC390MEFCSN30X30](#) [35USC22000MEFCSN30X45](#) [385USC560MEFCSN35X40](#) [315USC150MEFCSN20X30](#)  
[160USC1000MEFCSN22X45](#) [385USC120MEFCSN20X35](#) [10USC12000MEFCSN22X25](#) [385USC330MEFCSN30X35](#)  
[450USC180MEFCSN22X45](#) [250USC820MEFCSN30X35](#) [385USC120MEFCSN22X30](#) [450USC180MEFCSN25X35](#)  
[180USC820MEFCSN22X40](#) [100USC4700MEFCSN30X45](#) [80USC2700MEFCSN30X25](#) [10USC47000MEFCSN35X35](#)  
[80USC3300MEFCSN30X30](#) [315USC270MEFCSN25X30](#) [10USC39000MEFCSN35X30](#) [450USC560MEFCSN35X50](#)  
[385USC270MEFCSN30X30](#) [80USC5600MEFCSN35X35](#) [315USC220MEFCSN22X30](#) [250USC220MEFCSN22X25](#)  
[350USC220MEFCSN30X25](#) [400USC100MEFCSN20X30](#) [35USC8200MEFCSN30X25](#) [315USC220MEFCSN25X25](#)  
[160USC1200MEFCSN25X40](#) [35USC10000MEFCSN25X35](#) [350USC680MEFCSN30X50](#) [385USC390MEFCSN25X50](#)  
[100USC4700MEFCSN35X40](#) [385USC270MEFCSN22X50](#) [450USC68MEFCSN22X25](#) [250USC560MEFCSN25X35](#)  
[25USC33000MEFCSN30X45](#) [220USC470MEFCSN22X35](#) [10USC33000MEFCSN30X30](#) [315USC560MEFCSN35X30](#)  
[100USC820MEFCSN22X25](#) [80USC2200MEFCSN20X40](#) [25USC22000MEFCSN25X45](#) [250USC390MEFCSN22X35](#)  
[385USC470MEFCSN30X45](#) [160USC1800MEFCSN30X40](#) [25USC8200MEFCSN22X30](#) [250USC680MEFCSN30X30](#)  
[220USC680MEFCSN30X30](#) [160USC1000MEFCSN25X35](#) [350USC180MEFCSN25X25](#) [385USC180MEFCSN30X25](#)  
[250USC390MEFCSN25X30](#) [450USC100MEFCSN25X25](#) [350USC330MEFCSN25X35](#) [100USC1800MEFCSN30X25](#)  
[350USC150MEFCSN20X30](#) [10USC18000MEFCSN22X35](#) [420USC100MEFCSN25X25](#) [350USC470MEFCSN35X30](#)  
[160USC2700MEFCSN35X45](#) [160USC1200MEFCSN30X30](#) [35USC12000MEFCSN22X50](#)  
[10USC47000MEFCSN30X40](#) [220USC680MEFCSN25X35](#) [220USC330MEFCSN20X35](#) [315USC180MEFCSN22X30](#)  
[450USC68MEFCSN20X30](#) [180USC680MEFCSN22X35](#) [63USC3900MEFCSN22X45](#) [100USC1800MEFCSN22X40](#)  
[50USC4700MEFCSN25X30](#) [25USC15000MEFCSN30X25](#) [350USC390MEFCSN30X35](#) [10USC56000MEFCSN30X45](#)  
[220USC820MEFCSN25X45](#) [100USC1500MEFCSN20X40](#) [10USC47000MEFCSN25X50](#)  
[450USC150MEFCSN22X40](#) [63USC4700MEFCSN30X30](#) [385USC150MEFCSN25X30](#) [63USC1800MEFCSN22X25](#)  
[80USC2700MEFCSN22X40](#) [350USC220MEFCSN22X35](#) [250USC680MEFCSN25X40](#) [315USC330MEFCSN25X35](#)  
[10USC39000MEFCSN30X35](#) [10USC22000MEFCSN25X30](#) [50USC5600MEFCSN22X40](#) [350USC470MEFCSN30X35](#)  
[385USC560MEFCSN30X50](#) [63USC8200MEFCSN35X35](#) [220USC560MEFCSN25X35](#)



Компания «ЭлектроПласт» предлагает заключение долгосрочных отношений при поставках импортных электронных компонентов на взаимовыгодных условиях!

Наши преимущества:

- Оперативные поставки широкого спектра электронных компонентов отечественного и импортного производства напрямую от производителей и с крупнейших мировых складов;
- Поставка более 17-ти миллионов наименований электронных компонентов;
- Поставка сложных, дефицитных, либо снятых с производства позиций;
- Оперативные сроки поставки под заказ (от 5 рабочих дней);
- Экспресс доставка в любую точку России;
- Техническая поддержка проекта, помощь в подборе аналогов, поставка прототипов;
- Система менеджмента качества сертифицирована по Международному стандарту ISO 9001;
- Лицензия ФСБ на осуществление работ с использованием сведений, составляющих государственную тайну;
- Поставка специализированных компонентов (Xilinx, Altera, Analog Devices, Intersil, Interpoint, Microsemi, Aeroflex, Peregrine, Syfer, Eurofarad, Texas Instrument, Miteq, Cobham, E2V, MA-COM, Hittite, Mini-Circuits, General Dynamics и др.);

Помимо этого, одним из направлений компании «ЭлектроПласт» является направление «Источники питания». Мы предлагаем Вам помощь Конструкторского отдела:

- Подбор оптимального решения, техническое обоснование при выборе компонента;
- Подбор аналогов;
- Консультации по применению компонента;
- Поставка образцов и прототипов;
- Техническая поддержка проекта;
- Защита от снятия компонента с производства.



#### Как с нами связаться

**Телефон:** 8 (812) 309 58 32 (многоканальный)

**Факс:** 8 (812) 320-02-42

**Электронная почта:** [org@eplast1.ru](mailto:org@eplast1.ru)

**Адрес:** 198099, г. Санкт-Петербург, ул. Калинина, дом 2, корпус 4, литера А.