



Z-Type Markers

Z-Type markers are individual push-on markers used to identify wires and small cables permanently. The markers are manufactured using PVC and designed with an expanding profile, enabling each marker to accommodate a wide range of wire/cable sizes.

Z-Type markers are a simple, cost-effective solution for many commercial wire identification applications. The markers are supplied either straight cut or chevron cut. The chevron cut option ensures the markers remain aligned. Standard Z-Type markers are yellow or white with black legends and can be supplied as loose pieces packed in boxes, or on reels. Color coded markers are also available. Suitable for industrial applications.

KEY FEATURES

- Self-extinguishing.
- Resistant to key Industrial fluids, including those used in Mass transit, Aviation and Military (defined by RW-2535).
- Nine sizes covering wire diameters from 1.5mm to 12.7mm (0.06 inches to 0.5 inches).

APPLICATIONS

- Pre-termination cable identification.
- Identification of small wires and cables.
- Applicator wands available for easy marker installation.
- Electrical and Electronic Equipment, Industrial

PART DESCRIPTION



TEMPERATURE RATING

Operating Temperature Range -45°C to 70°C (-40°F to 158°F)

ENVIRONMENTAL

Information and a downloadable declaration covering RoHS and REACH compliance can be found at the 'TE Product Compliance Support Centre':

<http://www.te.com/en/resources/product-compliance.html>

SPECIFICATIONS / APPROVALS

TE Connectivity Standard

- RW-2535

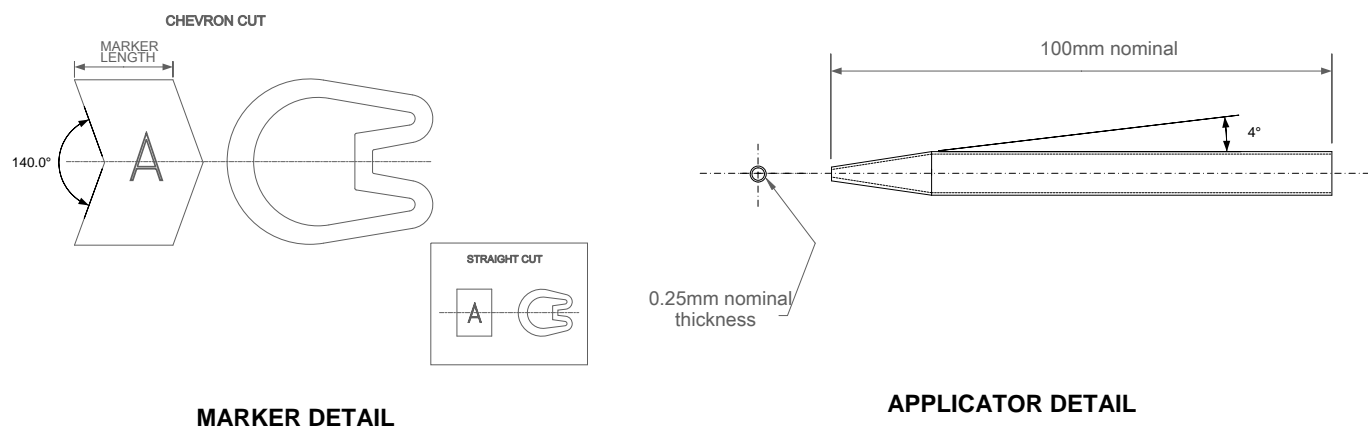
Industrial

- BS 6746C:1993 Colour chart for insulation and sheath of electric cables
- IEC 60304 Standard Colours for Insulation for Low Frequency Cables and Wires

Where possible, TE have tested product as a finished item, including the print. Operational tests are followed by an assessment of mark adherence to validate fit form and function. Further details can be found in TE standard RW-2535.

Z-Type Markers

AVAILABLE FORMATS



ORDERING INFORMATION

| Order Code Straight cut | Order Code Chevron cut | Marker size | Recommended cable diameter | | Marker length | | Applicator size code | Pack Quantity | Applicator order code |
|----------------------------|---------------------------|----------------|-------------------------------|-------------|---------------|--------|-------------------------|------------------|--------------------------|
| | | | mm | inches | mm | inches | | | |
| 0580 | 1151 | 5 | 1.5 – 2.0 | 0.06 – 0.08 | 4.5 | 0.177 | - | 1000 | - |
| 0581 | 1152 | 7 | 2.0 – 3.2 | 0.08 – 0.13 | 4.5 | 0.177 | 1 | 1000 | 12510000 |
| 0615 | 1153 | 9 | 2.5 – 4.0 | 0.10 – 0.16 | 4.5 | 0.177 | 2 | 1000 | 12520000 |
| 0616 | 1154 | 11 | 2.9 – 4.7 | 0.11 – 0.19 | 4.5 | 0.177 | 3 | 1000 | 12530000 |
| 0617 | 1155 | 13 | 3.4 – 5.7 | 0.13 – 0.22 | 4.5 | 0.177 | 4 | 1000 | 12540000 |
| 0618 | 1156 | 15 | 3.8 – 6.3 | 0.15 – 0.25 | 4.5 | 0.177 | 5 | 1000 | 12550000 |
| 0620 | 1157 | 18 | 4.3 – 6.9 | 0.17 – 0.27 | 4.5 | 0.177 | 6 | 500 | 12560000 |
| 0622 | 1158 | 23 | 5.5 – 8.9 | 0.22 – 0.35 | 6.0 | 0.236 | - | 500 | - |
| 0624 | 1159 | 35 | 7.9 – 12.7 | 0.31 – 0.50 | 6.0 | 0.236 | - | 250 | - |

PACKAGING CODE

| | | | |
|---|-----|---|------|
| 1 | Box | 3 | Reel |
|---|-----|---|------|

PACKAGING OPTIONS (CHEVRON AND STRAIGHT CUT)

| | |
|---------------------------------|--------------|
| White marker with black legend | Boxes, reels |
| Yellow marker with black legend | Reels |
| Color coded | Boxes |

COLOR CODE

| Code | Marker color | Ink color | Code | Marker color | Ink color | Code | Marker color | Ink color |
|------|--------------|-----------|------|--------------|-----------|------|--------------|-----------|
| 0 | Black | White | 4 | Yellow | Black | 8 | Grey | Black |
| 1 | Brown | White | 5 | Green | Black | 9 | White | Black |
| 2 | Red | Black | 6 | Blue | Black | | | |
| 3 | Orange | Black | 7 | Violet | Black | | | |

Z-Type Markers

LEGEND CODE

| Legend | Code | Legend | Code | Legend | Code |
|--------|------|--------|------|--------|------|
| 0 | 00 | J | 19 | / | 38 |
| 1 | 01 | K | 20 | ~ | 39 |
| 2 | 02 | L | 21 | Earth | 40 |
| 3 | 03 | M | 22 |) | 41 |
| 4 | 04 | N | 23 | Blank | 42 |
| 5 | 05 | O | 24 | : | 43 |
| 6 | 06 | P | 25 | , | 44 |
| 7 | 07 | Q | 26 | < | 45 |
| 8 | 08 | R | 27 | > | 46 |
| 9 | 09 | S | 28 | = | 47 |
| A | 10 | T | 29 | . | 48 |
| B | 11 | U | 30 | | |
| C | 12 | V | 31 | | |
| D | 13 | W | 32 | | |
| E | 14 | X | 33 | | |
| F | 15 | Y | 34 | | |
| G | 16 | Z | 35 | | |
| H | 17 | + | 36 | | |
| I | 18 | - | 37 | | |

Order example 06161400: Z-type marker, size 11, yellow, black mark, character O, boxed

While TE has made every reasonable effort to ensure the accuracy of the information in this document, TE does not guarantee that it is error-free, nor does TE make any other representation, warranty or guarantee that the information is accurate, correct, reliable or current. TE reserves the right to make any adjustments to the information contained herein at any time without notice. TE expressly disclaims all implied warranties regarding the information contained herein, including, but not limited to, any implied warranties of merchantability or fitness for a particular purpose. The dimensions in this document are for reference purposes only and are subject to change without notice. Specifications are subject to change without notice. Consult TE for the latest dimensions and design specifications.

*Trademark. TE Connectivity, TE connectivity (logo), and TE (logo) are trademarks. Other logos, product and/or company names may be trademarks of their respective owners.



Компания «ЭлектроПласт» предлагает заключение долгосрочных отношений при поставках импортных электронных компонентов на взаимовыгодных условиях!

Наши преимущества:

- Оперативные поставки широкого спектра электронных компонентов отечественного и импортного производства напрямую от производителей и с крупнейших мировых складов;
- Поставка более 17-ти миллионов наименований электронных компонентов;
- Поставка сложных, дефицитных, либо снятых с производства позиций;
- Оперативные сроки поставки под заказ (от 5 рабочих дней);
- Экспресс доставка в любую точку России;
- Техническая поддержка проекта, помощь в подборе аналогов, поставка прототипов;
- Система менеджмента качества сертифицирована по Международному стандарту ISO 9001;
- Лицензия ФСБ на осуществление работ с использованием сведений, составляющих государственную тайну;
- Поставка специализированных компонентов (Xilinx, Altera, Analog Devices, Intersil, Interpoint, Microsemi, Aeroflex, Peregrine, Syfer, Eurofarad, Texas Instrument, Miteq, Cobham, E2V, MA-COM, Hittite, Mini-Circuits, General Dynamics и др.);

Помимо этого, одним из направлений компании «ЭлектроПласт» является направление «Источники питания». Мы предлагаем Вам помощь Конструкторского отдела:

- Подбор оптимального решения, техническое обоснование при выборе компонента;
- Подбор аналогов;
- Консультации по применению компонента;
- Поставка образцов и прототипов;
- Техническая поддержка проекта;
- Защита от снятия компонента с производства.



Как с нами связаться

Телефон: 8 (812) 309 58 32 (многоканальный)

Факс: 8 (812) 320-02-42

Электронная почта: org@eplast1.ru

Адрес: 198099, г. Санкт-Петербург, ул. Калинина, дом 2, корпус 4, литера А.