



## Features

- Built-in automatic voltage regulation enables a wide input voltage window to deliver power while preventing unnecessary battery drain
- Internal bypass switch provides power if UPS fails and prevents unnecessary shutdown of connected equipment
- Listed to UL 60950-22 standard for outdoor equipment
- Connectorized internal circuit board assemblies for easy repairs
- LED indicators show status of load and batteries
- Heavy-duty surge protection and noise filtering protects load and UPS
- Wide temperature, pure lead, gel batteries and internal cooling fan extend battery life and protect electronic components

## U01 Compact Series Outdoor UPS (AC/AC)

The Bourns® U01 Compact Series Outdoor Uninterruptible Power Supply (UPS) is equipped with wide-temperature, pure lead, gel batteries and is housed in a weather-protected enclosure. It offers line-interactive automatic voltage regulation, over / under voltage protection, surge protection with heavy-duty noise filtering, communications capability and optional extended battery back-up.

The U01 Series Compact Outdoor UPS provides automatic voltage regulation with surge protection and noise filtering, as well as overvoltage protection with a threshold of 136 V and undervoltage protection with a threshold of 96 V. In the event of a brownout, overvoltage, or loss of power, the UPS will transfer to battery power quickly, enabling uninterrupted operation of the critical load.

This Compact Outdoor UPS is ideal for the protection of outdoor telecommunications infrastructures, DAS Systems, perimeter surveillance, security / gate control systems, LED traffic light and roadway display systems.

### Characteristics

Specification	Model U01120-050-120	Model U01120-084-120	Model U01120-105-120
<b>INPUT</b>			
Nominal Voltage & Frequency	116 V, 60 Hz		
Operating Voltage	96 - 136 V		
Current @ 96 V & Max. Charging	7.8 A	11.4 A	14.2 A
Circuit Breaker	10 A	15 A	15 A
Surge Withstand and Let-through Voltage	ANSI/IEEE: 6 kV, 1.2 x 50 $\mu$ s / 3 kA, 8 x 20 $\mu$ s; L-N: 450 V L-G: 300 V N-G: 300 V		
<b>OUTPUT</b>			
Voltage	115 V $\pm$ 8 %		
Output Power	500 W	840 W	1050 W
Crest Factor	3 : 1		
Waveform and THD	Sine wave, < 3 % THD with linear load		
Power Efficiency	Line: 97 %, Inverter: 92 % under full load conditions		
Power On / Off Switch	On / off rocker style power switch		
Transfer Time	0 to 8 milliseconds		
<b>BATTERY</b>			
Type	8GU1		NP 18-12
Dimensions: mm/(inches)	196 x 132 x 183 (7.71 x 5.18 x 7.22)		180 x 76 x 167 (7.1 x 3 x 6.57)
Weight	23 lbs. / 10.5 kg		13.7 lbs. / 6.2 kg
Ah @ 20 hr Rate and Bus Voltage	31.6 Ah, 24 VDC		17.2 Ah, 48 VDC
Number of Batteries	2		4
Battery Circuit Breaker	30 A	40 A	40 A
Battery Heater Pad BH 5	34 W, one required		34 W, two required
Battery Back-up Time vs. Load	32 min.	17 min.	27 min.
Recharge Time	Temperature compensated charger, charge to 90 % capacity after full discharge 7 hrs.		
<b>INDICATORS AND ALARMS</b>			
LED Status Indicators on Control Board	Inverter on: Amber: Low battery: Amber after inverter shut down following low battery after long outage; Fault: Red for overload / red blinks for high temperature; AC ok: Green when AC in buck, bypass or boost mode		
N/O or N/C Contacts	>44 V / <44 V / or >22 V / <22 V / On / Off, Six position terminal block on control board assembly		

Specifications are subject to change without notice.

The device characteristics and parameters in this data sheet can and do vary in different applications and actual device performance may vary over time. Users should verify actual device performance in their specific applications.

## Features (Continued)

- Compact design
- Quiet - ideal for use in locations with noise ordinances
- Pole or wall mounting options
- Precise output current limiting permits start-up of induction motors and other difficult loads

## Applications

- Perimeter surveillance cameras (CCTV)
- Wireless access points
- Industrial Remote Terminal Units (RTUs)

# U01 Compact Series Outdoor UPS (AC/AC)

# BOURNS®

## Characteristics (Continued)

Specification	Model U01120-050-120	Model U01120-084-120	Model U01120-105-120
<b>PHYSICAL</b>			
Dimensions	419 mm (16.5 ") wide x 521 mm (20.5 ") high x 241 mm (9.5 ") deep		
Aluminum Cabinet	Outdoor type, power coated		
Input / Output Connections	3-position terminal block provided for 3 x 12 AWG, 7/8 " holes for 1/2 " conduit connectors		
Weight with Batteries (lbs/kg)	100 / 45.4	103 / 46.8	110 / 49.8
Mounting Options	Wall mounting is standard; optional pole mounting bracket is available		
<b>ENVIRONMENTAL</b>			
Operating Temperature	+14 to +131 °F / -10 to +55 °C		
Maximum Operating Temperature	-40 to +131 °F / -40 to +55 °C with BH5 optional battery heater		
Cooling Method	+149 °F / +65 °C		
Moisture Protection	Thermostat controlled exhaust fan		
	Conformal coating of electronic boards for moisture resistance		
<b>SAFETY</b>			
cETLus 	UL 1778 Ed: 4, CSA C22.2 #107.3, UL 60950-1, UL 60950-22, CSA C22.2#60950-22		

## Product Images



Front View



Rear View

## Mounting Options



Wall Mount



Pole Mount

## Latching Options



Standard Slotted Latch



Key Lock



Bellcore 216

Specifications are subject to change without notice.

The device characteristics and parameters in this data sheet can and do vary in different applications and actual device performance may vary over time. Users should verify actual device performance in their specific applications.

# U01 Compact Series Outdoor UPS (AC/AC)

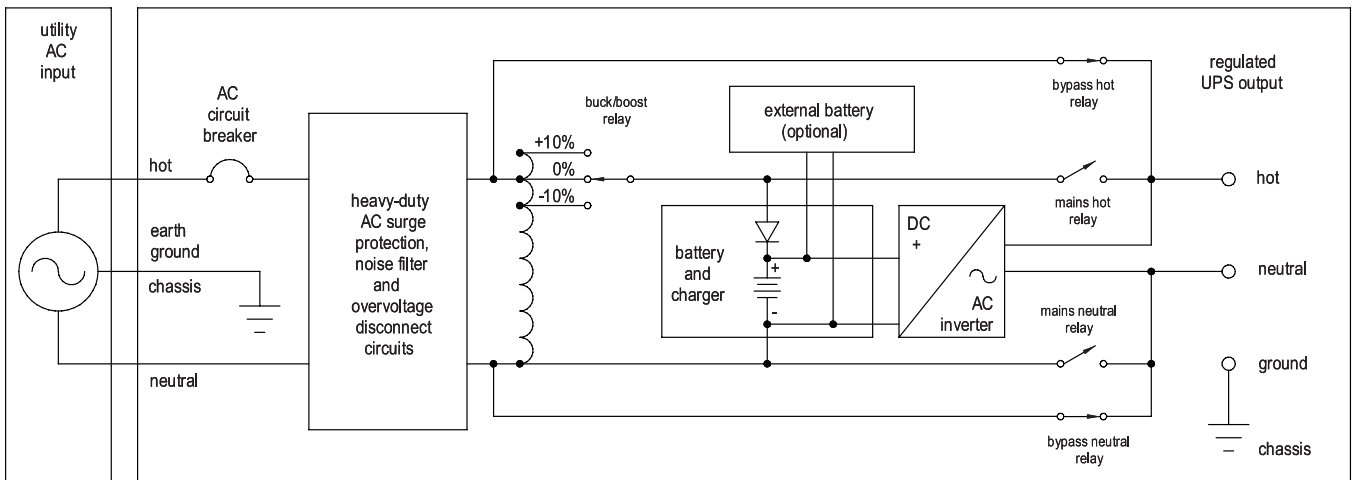
**BOURNS®**

## How to Order



*Standard Offering: Wall mount, Standard latch, 1 string, heated/unheated.*

## U01 Compact Series UPS (AC/AC) Schematic



**BOURNS®**

**Asia-Pacific:** Tel: +886-2 2562-4117 • Fax: +886-2 2562-4116

**EMEA:** Tel: +36 88 520 390 • Fax: +36 88 520 211

**The Americas:** Tel: +1-951 781-5500 • Fax: +1-951 781-5700

[www.bourns.com](http://www.bourns.com)

REV. B 03/16

Specifications are subject to change without notice.

The device characteristics and parameters in this data sheet can and do vary in different applications and actual device performance may vary over time. Users should verify actual device performance in their specific applications.



Компания «ЭлектроПласт» предлагает заключение долгосрочных отношений при поставках импортных электронных компонентов на взаимовыгодных условиях!

Наши преимущества:

- Оперативные поставки широкого спектра электронных компонентов отечественного и импортного производства напрямую от производителей и с крупнейших мировых складов;
- Поставка более 17-ти миллионов наименований электронных компонентов;
- Поставка сложных, дефицитных, либо снятых с производства позиций;
- Оперативные сроки поставки под заказ (от 5 рабочих дней);
- Экспресс доставка в любую точку России;
- Техническая поддержка проекта, помощь в подборе аналогов, поставка прототипов;
- Система менеджмента качества сертифицирована по Международному стандарту ISO 9001;
- Лицензия ФСБ на осуществление работ с использованием сведений, составляющих государственную тайну;
- Поставка специализированных компонентов (Xilinx, Altera, Analog Devices, Intersil, Interpoint, Microsemi, Aeroflex, Peregrine, Syfer, Eurofarad, Texas Instrument, Miteq, Cobham, E2V, MA-COM, Hittite, Mini-Circuits, General Dynamics и др.);

Помимо этого, одним из направлений компании «ЭлектроПласт» является направление «Источники питания». Мы предлагаем Вам помощь Конструкторского отдела:

- Подбор оптимального решения, техническое обоснование при выборе компонента;
- Подбор аналогов;
- Консультации по применению компонента;
- Поставка образцов и прототипов;
- Техническая поддержка проекта;
- Защита от снятия компонента с производства.



#### Как с нами связаться

**Телефон:** 8 (812) 309 58 32 (многоканальный)

**Факс:** 8 (812) 320-02-42

**Электронная почта:** [org@eplast1.ru](mailto:org@eplast1.ru)

**Адрес:** 198099, г. Санкт-Петербург, ул. Калинина, дом 2, корпус 4, литера А.