

NEW



Compact Angle SMT Type Connector for Automotive

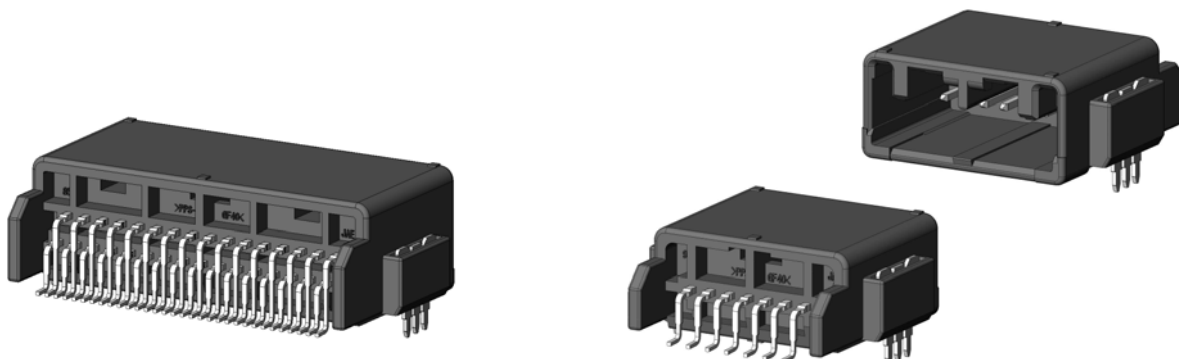
CONNECTOR

MX34R Series

MB-0240-1

November 2011

RoHS Compliant



Recently, the demand for SMT (Surface Mount Technology) type automotive connectors has been increasing. To meet this demand, an angle SMT connector version has been developed to add to the existing straight SMT connector version of the MX34 Series.

The MX34R Series is available in a variety of pin counts for both single and double row configurations to best meet the market needs. In addition, heat resistant PPS is used to accommodate reflow mounting temperatures, and “leg” hold-downs are featured for board retention, which saves mounting space.

Features

- Board mounting layout: single type has 1 row of 2.2mm pitch on board; double type has 1 row of 1.1mm pitch on board.
- Board retention strength is enhanced by space-saving metal “leg” hold-downs. Maintains high resistance strength against twisting after soldering.
- Mates with existing MX34 Series socket connector.
- Compatible with solder reflow mounting due to the heat resistant resin PPS.
- Vacuum surface on the connector enables automated mounting.

General Specifications

- | | |
|---|--|
| ■No. of Contacts: single (3, 4, 5 pos.) double (8, 12, 16, 20, 24, 32, 36 pos.) | ■Insulation Resistance: 100M Ω min. |
| ■Contact Resistance: 5m Ω max. (initial) 10m Ω max. (after test) | ■Mating Durability: 50 times |
| ■Rated Current: 3A | ■Dielectric Withstanding Voltage: AC 1,000Vr.m.s per minute |
| | ■Operating Temperature: -40 Deg. C to +85 Deg. C |

| |
|-----------------------------------|
| Pin Header Materials and Finishes |
|-----------------------------------|

| Component | Material / Finish |
|--------------|----------------------------------|
| Housing | PPS GF 40% |
| Pin Terminal | Copper Alloy/ Sn plating over Ni |
| Leg | Brass / Sn plating over Ni |

| |
|--------------------------|
| Part Number / SJ Drawing |
|--------------------------|

| No. of Contacts | Pin Header | Drawing | Mating Socket | Drawing |
|-----------------|-------------|----------|---------------|----------|
| 3 | MX34R03HF4T | SJ110327 | MX34003SF1 | SJ100823 |
| 5 | MX34R05HF4T | SJ110328 | MX34005SF1 | SJ100825 |
| 7 | MX34R07HF4T | SJ110662 | MX34007SF1 | SJ104416 |
| 8 | MX34R08HF4T | SJ110338 | MX34008SF4 | SJ109127 |
| 12 | MX34R12HF4T | SJ110663 | MX34012SF1 | SJ100717 |
| 16 | MX34R16HF4T | SJ110664 | MX34016SF1 | SJ038754 |
| 20 | MX34R20HF4T | SJ110665 | MX34020SF1 | SJ038752 |
| 24 | MX34R24HF4T | SJ110666 | MX34024SF1 | SJ100271 |
| 32 | MX34R32HF4T | SJ110668 | MX34032SF1 | SJ038756 |
| 36 | MX34R36HF4T | SJ110669 | MX34036SF1 | SJ100270 |

*** Mating Socket Contacts (for reference)**

| Contact P / N | Applicable Wire | SJ Drawing |
|---------------|--|------------|
| M34S75C4F1 | AVSS0.3mm ² , CHFUS0.22mm ² ~0.35mm ² | SJ038527 |
| M34S75C4F2 | AVSS0.5mm ² , CHFUS0.5mm ² ~0.75mm ² | SJ038528 |
| M34S75C4F3 | CAN SD 0.35mm ² (Note 1) | SJ038747 |
| M34S75C4F4 | AVSS 0.85mm ² (Note 1) | SJ038893 |
| M34S75C4F5 | CHFUS 0.13mm ² | SJ109336 |

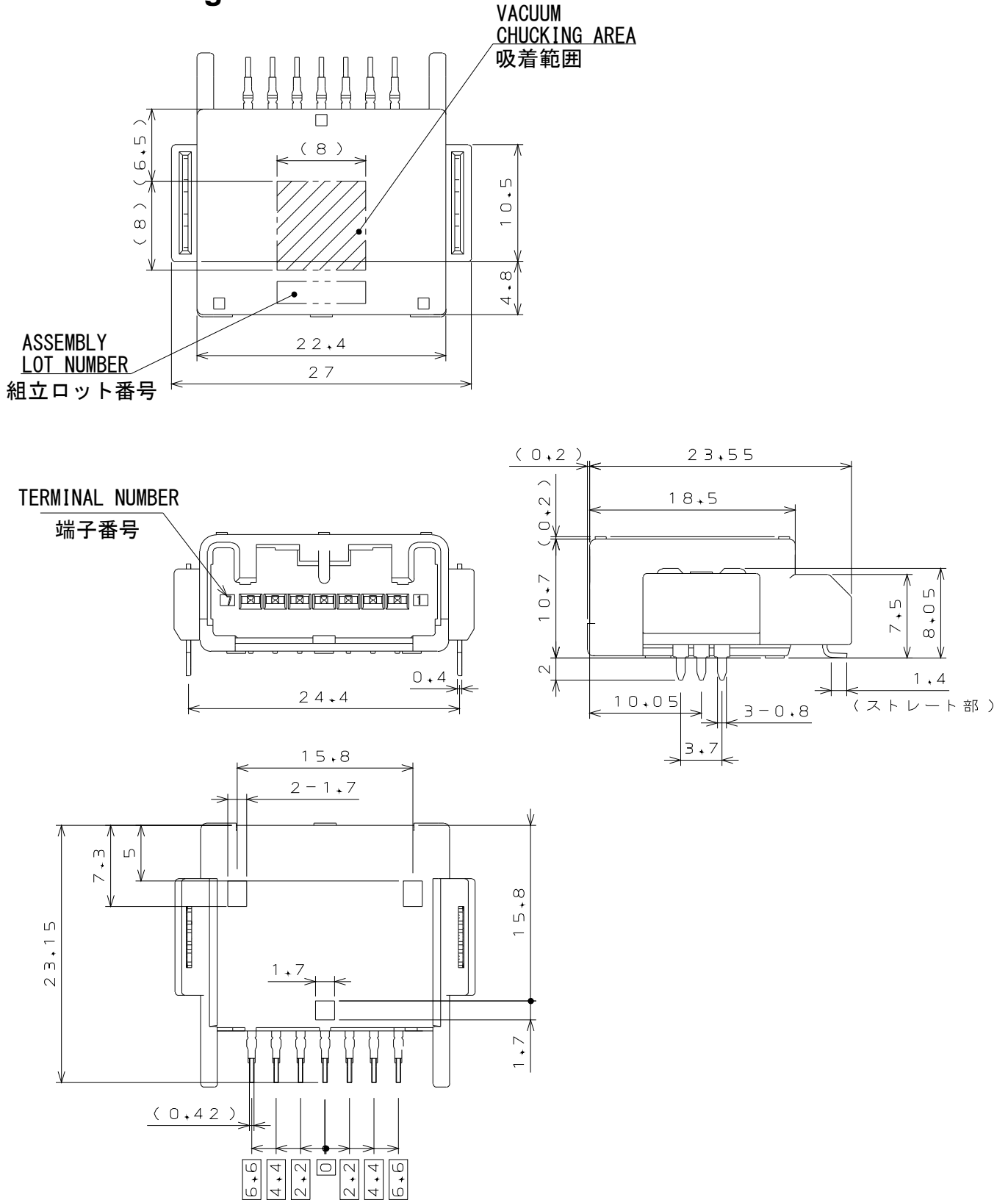
Note 1) M34S75C4F3 and F4 can only be inserted in double-row connector housings, at 4 places total.

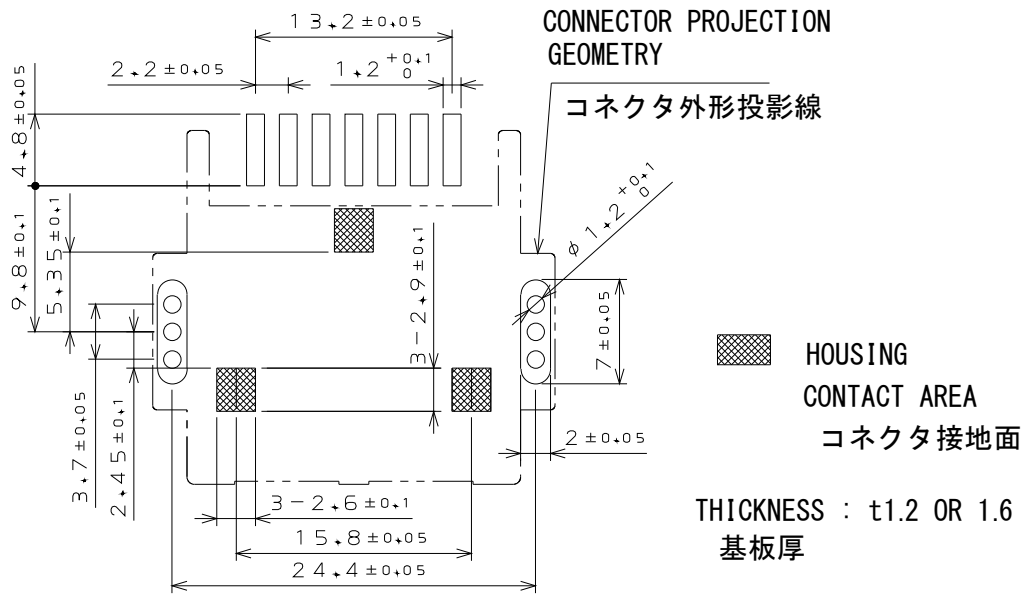
Product Drawing

■ Angle Pin Header (Single)

Part Number: MX34R07HF4T

Drawing: SJ110662





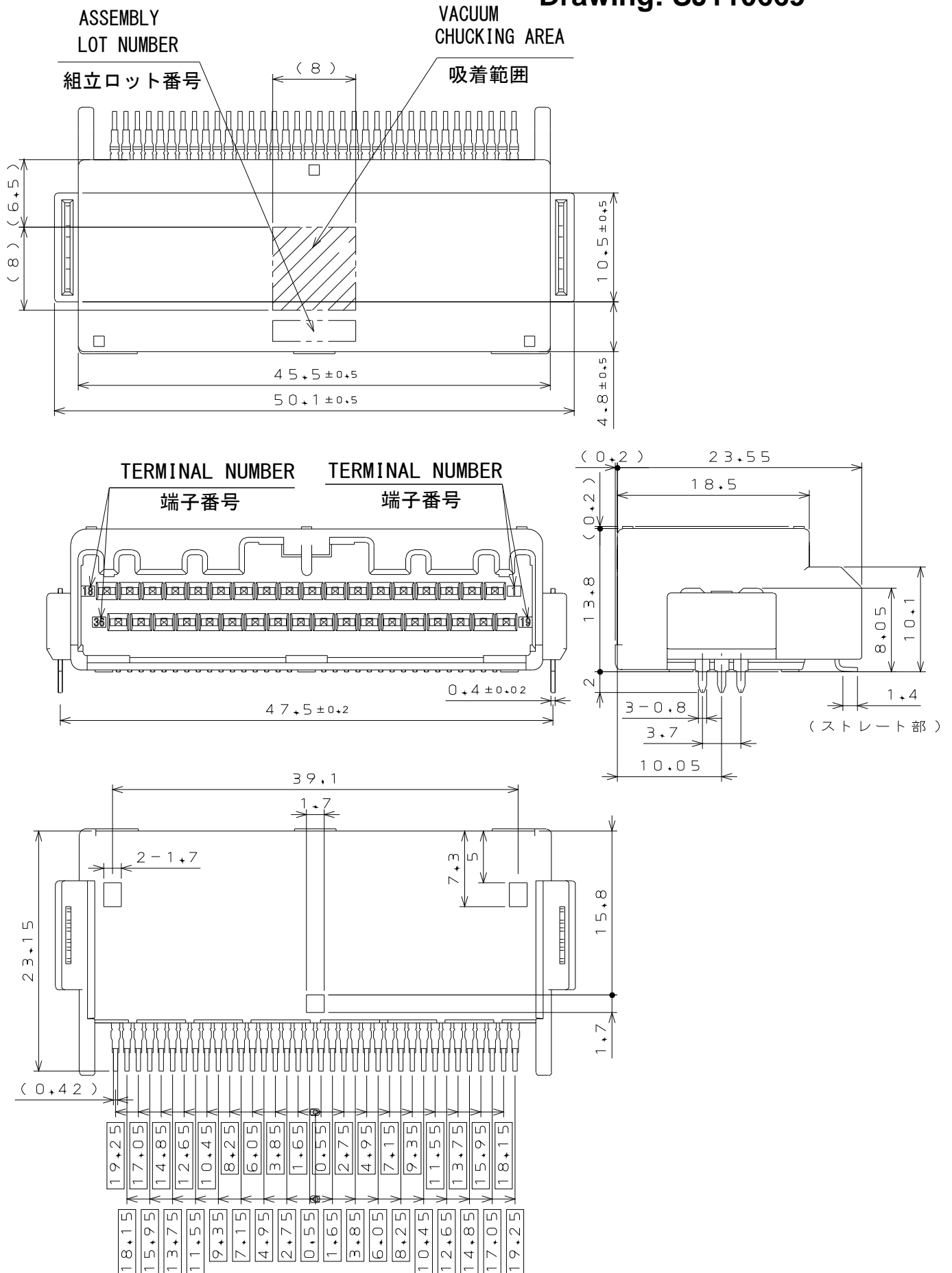
PCB LAYOUT (REF.)

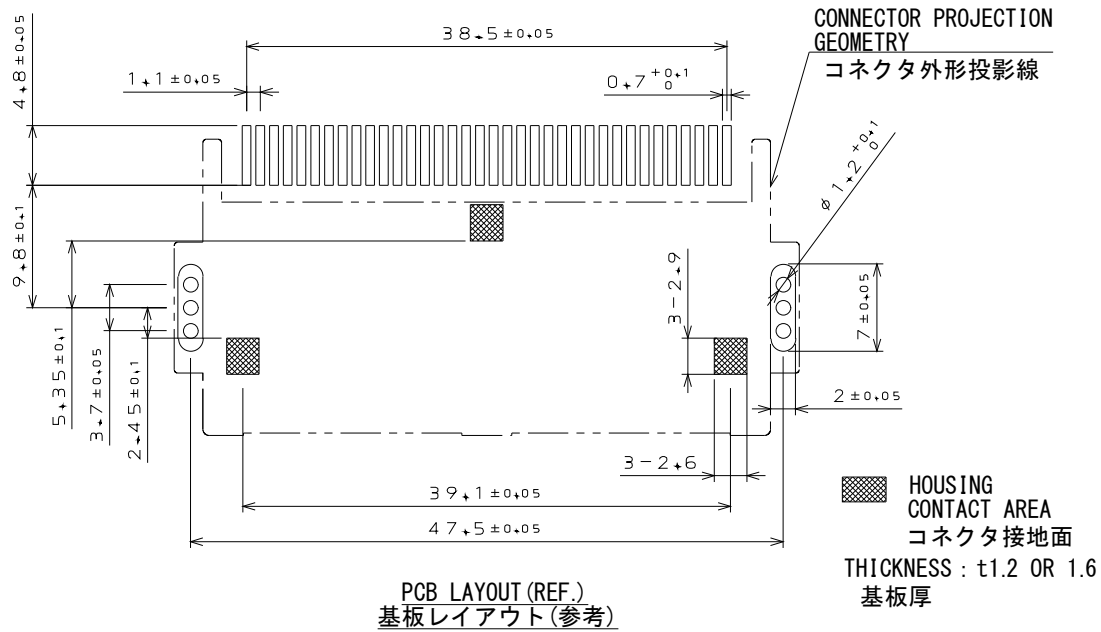
基板レイアウト(参考)

■ Angle Pin Header (Double)

Part Number: MX34R36HF4T

Drawing: SJ110669





Specifications

JACS-1754-10

Handling Instructions

J AHL-1754

Notice: Products shown in this brochure are made for the applications listed below. However, if the above-mentioned products are to be used in aerospace devices, marine cable-connection devices, atomic power control systems, medical equipment for life-support systems, or any other specific application requiring extremely high reliability, please contact JAE for further information.

Recommended applications: Computers, Office machines, Measuring devices, Telecommunication devices (Terminals, Mobile devices), AV devices, Household applications, FA devices, etc.

Japan Aviation Electronics Industry, Limited

Product Marketing Division
Aobadai Building, 3-1-19, Aobadai, Meguro-ku, Tokyo 153-8539
Phone: +81-3-3780-2787 FAX: +81-3-3780-2946

* The specifications in this brochure are subject to change without notice. Please contact JAE for information.

Mouser Electronics

Authorized Distributor

Click to View Pricing, Inventory, Delivery & Lifecycle Information:

[JAE Electronics:](#)

[MX34R16HF4T](#)



Компания «ЭлектроПласт» предлагает заключение долгосрочных отношений при поставках импортных электронных компонентов на взаимовыгодных условиях!

Наши преимущества:

- Оперативные поставки широкого спектра электронных компонентов отечественного и импортного производства напрямую от производителей и с крупнейших мировых складов;
- Поставка более 17-ти миллионов наименований электронных компонентов;
- Поставка сложных, дефицитных, либо снятых с производства позиций;
- Оперативные сроки поставки под заказ (от 5 рабочих дней);
- Экспресс доставка в любую точку России;
- Техническая поддержка проекта, помощь в подборе аналогов, поставка прототипов;
- Система менеджмента качества сертифицирована по Международному стандарту ISO 9001;
- Лицензия ФСБ на осуществление работ с использованием сведений, составляющих государственную тайну;
- Поставка специализированных компонентов (Xilinx, Altera, Analog Devices, Intersil, Interpoint, Microsemi, Aeroflex, Peregrine, Syfer, Eurofarad, Texas Instrument, Miteq, Cobham, E2V, MA-COM, Hittite, Mini-Circuits, General Dynamics и др.);

Помимо этого, одним из направлений компании «ЭлектроПласт» является направление «Источники питания». Мы предлагаем Вам помощь Конструкторского отдела:

- Подбор оптимального решения, техническое обоснование при выборе компонента;
- Подбор аналогов;
- Консультации по применению компонента;
- Поставка образцов и прототипов;
- Техническая поддержка проекта;
- Защита от снятия компонента с производства.



Как с нами связаться

Телефон: 8 (812) 309 58 32 (многоканальный)

Факс: 8 (812) 320-02-42

Электронная почта: org@eplast1.ru

Адрес: 198099, г. Санкт-Петербург, ул. Калинина, дом 2, корпус 4, литера А.