

PLEASE CHECK WWW.MOLEX.COM FOR LATEST PART INFORMATION

Part Number: [0850090115](#)
Status: **Active**
Overview: [din_41612](#)
Description: 2.54mm (.100") Pitch DIN 41612/EIC 603-2 Mixed Layout Connector, Male Style M, Right Angle, Through Hole, 0.6µm (24µ") Selective Gold (Au), 80 Circuits

Documents:

[3D Model](#) [Product Specification PS-85003-0001 \(PDF\)](#)
[Drawing \(PDF\)](#) [RoHS Certificate of Compliance \(PDF\)](#)

Agency Certification

CSA LR19980
 UL E29179

General

Product Family Backplane Connectors
 Series [85009](#)
 Application Backplane
 Comments Mixed Layout
 Component Type PCB Header
 Overview [din_41612](#)
 Product Name IEC 603-2/DIN 41612
 Style M

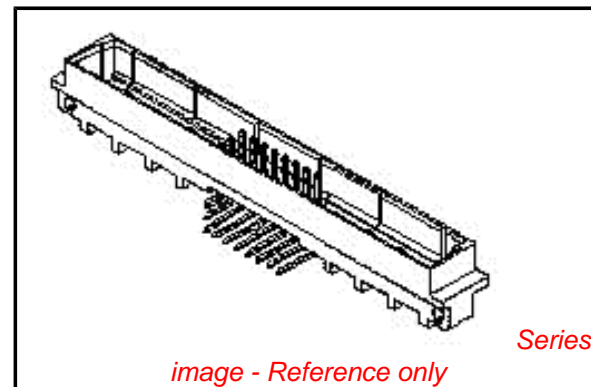
Physical

Circuits (Loaded) 80
 Circuits (maximum) 80
 Circuits Detail 78 + 2
 Durability (mating cycles max) 400
 First Mate / Last Break No
 Flammability 94V-0
 Guide to Mating Part No
 Keying to Mating Part Yes
 Number of Columns 26
 Number of Pairs Open Pin Field
 Number of Rows 3
 Orientation Right Angle
 PC Tail Length (in) 0.118 In
 PC Tail Length (mm) 3.00 mm
 PCB Locator No
 PCB Retention None
 PCB Thickness Recommended (in) 0.062 In
 PCB Thickness Recommended (mm) 1.60 mm
 Packaging Type Tray
 Pitch - Mating Interface (in) 0.100 In
 Pitch - Mating Interface (mm) 2.54 mm
 Pitch - Term. Interface (in) 0.100 In
 Pitch - Term. Interface (mm) 2.54 mm
 Temperature Range - Operating -55°C to +125°C

Electrical

Current - Maximum per Contact 1.5A
 Data Rate 622.0 Mbps
 Voltage - Maximum 250V AC (RMS)

Material Info



EU RoHS

ELV and RoHS Compliant
REACH SVHC
 Not Reviewed
Halogen-Free Status
 Not Reviewed

China RoHS



Need more information on product environmental compliance?

Email productcompliance@molex.com
 For a multiple part number RoHS Certificate of Compliance, [click here](#)

Please visit the [Contact Us](#) section for any non-product compliance questions.

Search Parts in this Series

[85009Series](#)

Mates With

DIN 41612/IEC 603-2 Mixed Layout Connector [85048](#) , [85056](#)

Use With

[85023](#) DIN 41612 Coaxial Contact

Reference - Drawing Numbers

Packaging Specification

Product Specification

Sales Drawing

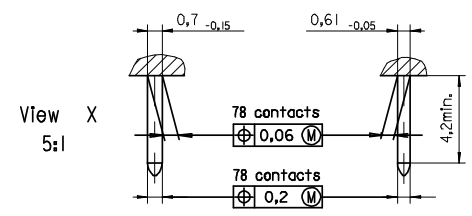
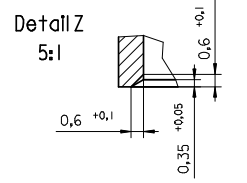
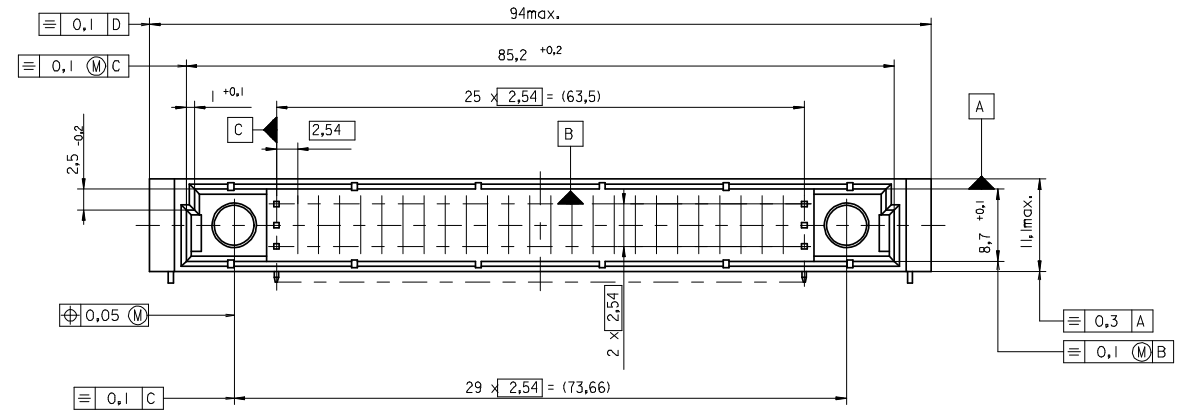
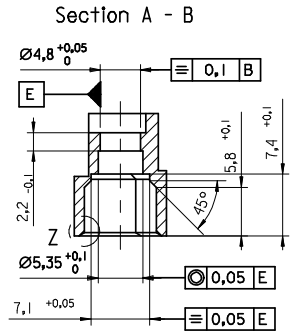
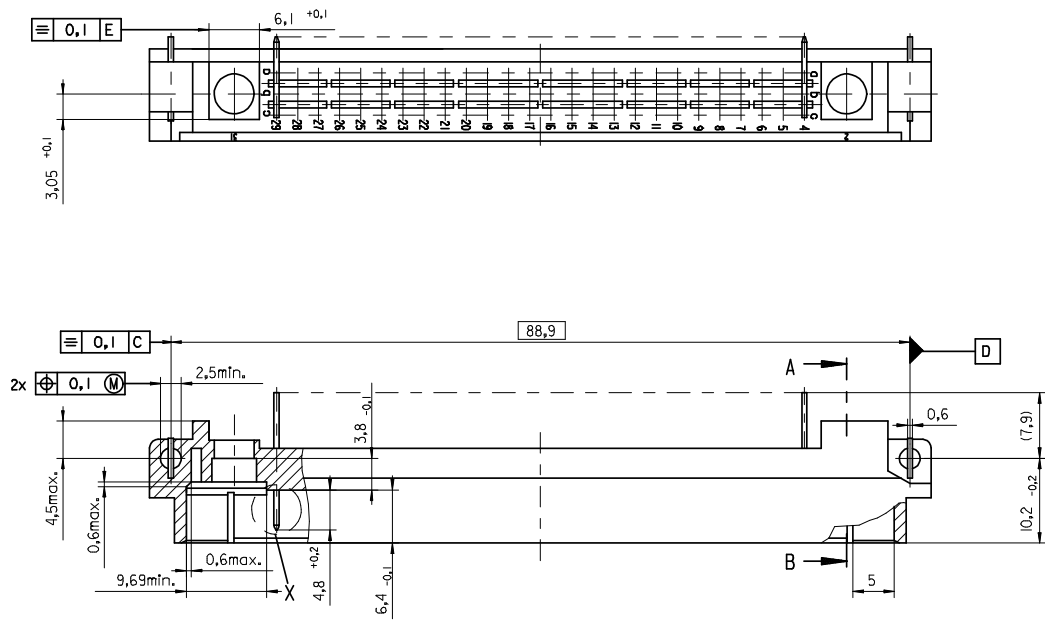
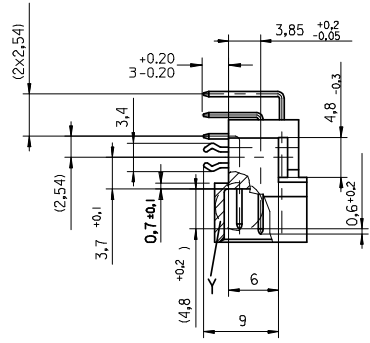
PK-85009-001

PS-85003-0001

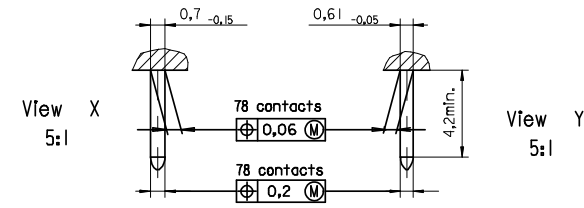
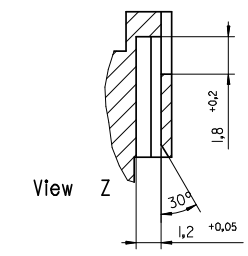
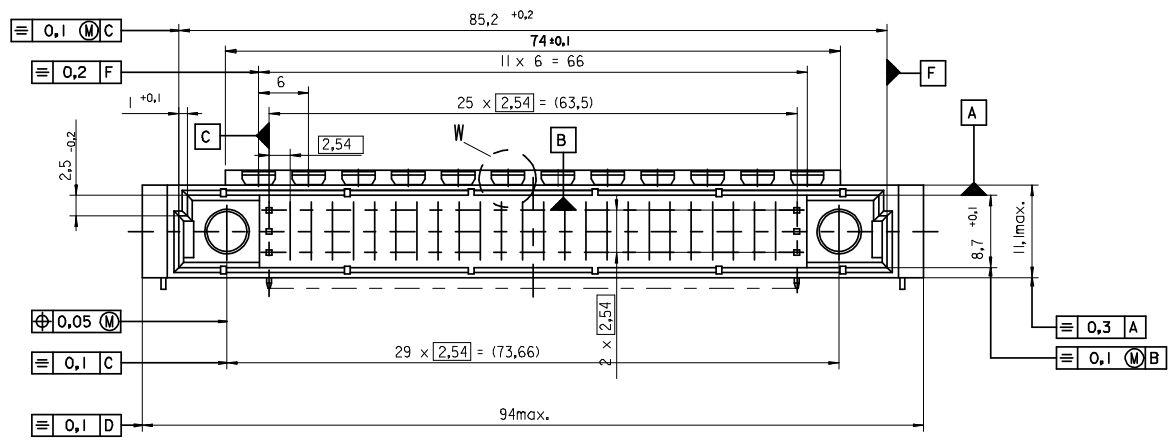
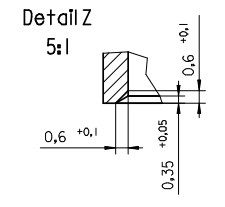
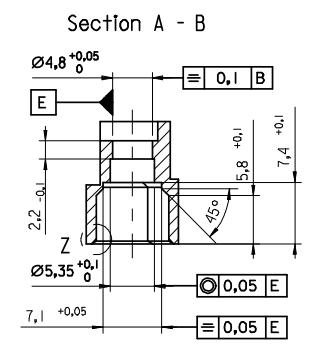
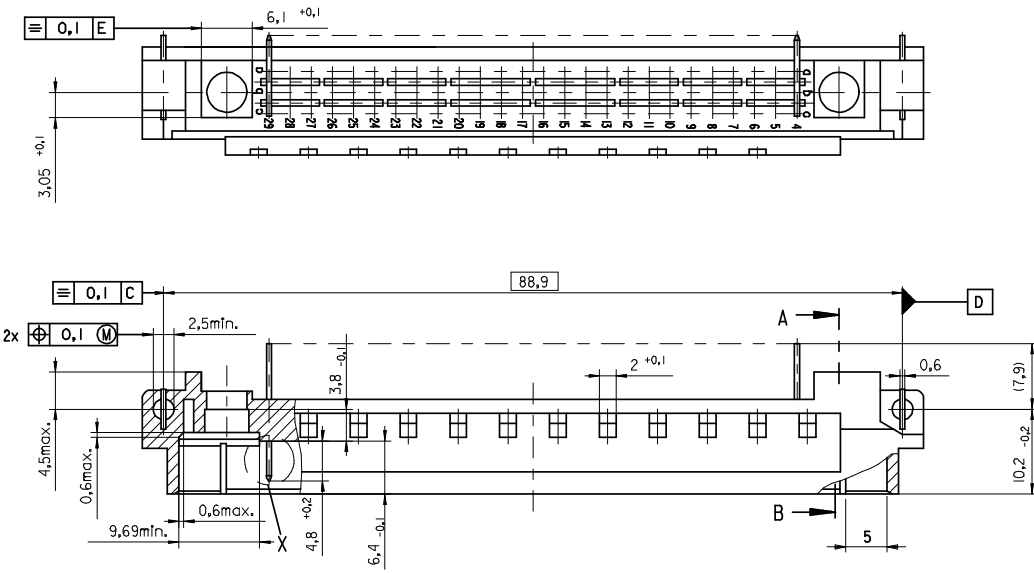
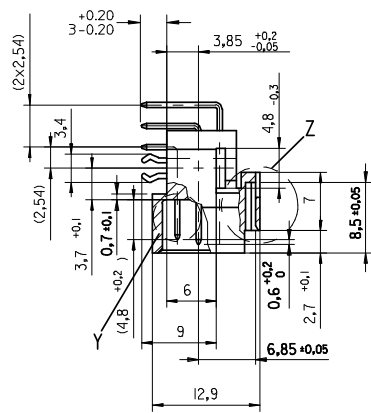
SDA-85009-0004, SDA-85009-0115

This document was generated on 05/17/2010

PLEASE CHECK WWW.MOLEX.COM FOR LATEST PART INFORMATION



ENTER DESCRIPTION EC NO: 12009-0039 DRAWNSJ 2008/07/28 CHYK-KPRASAD 2008/07/31 APPR:KPRASAD 2008/08/11 B	QUALITY SYMBOLS ▼=0 ▽=0	GENERAL TOLERANCES (UNLESS SPECIFIED)		DIMENSION STYLE MM ONLY	SCALE 2:1	DESIGN UNITS METRIC	THIRD ANGLE PROJECTION
				DRAWN BY CA DATE 1995/06/13	TITLE 78POS. MALE DIN CONNECTOR DIN 4162 STYLE M		
				CHECKED BY KN DATE 1995/06/13	MOLEX INCORPORATED		
				APPROVED BY KN DATE 1995/06/13			
				MATERIAL NO. -----		DOCUMENT NO. SDA-85009-0004	
		DRAFT WHERE APPLICABLE MUST REMAIN WITHIN DIMENSIONS					
		THIS DRAWING CONTAINS INFORMATION THAT IS PROPRIETARY TO MOLEX INCORPORATED AND SHOULD NOT BE USED WITHOUT WRITTEN PERMISSION					



ENTER DESCRIPTION EC NO: 12009-0039 DRAWNSJ CHYK:KPRASAD APPR:KPRASAD 2008/07/28 2008/07/31 2008/08/11	2008/07/28 2008/07/31 2008/08/11	2008/07/28 2008/07/31 2008/08/11	2008/07/28 2008/07/31 2008/08/11	
	2008/07/28 2008/07/31 2008/08/11	2008/07/28 2008/07/31 2008/08/11	2008/07/28 2008/07/31 2008/08/11	2008/07/28 2008/07/31 2008/08/11
	2008/07/28 2008/07/31 2008/08/11	2008/07/28 2008/07/31 2008/08/11	2008/07/28 2008/07/31 2008/08/11	2008/07/28 2008/07/31 2008/08/11
	2008/07/28 2008/07/31 2008/08/11	2008/07/28 2008/07/31 2008/08/11	2008/07/28 2008/07/31 2008/08/11	2008/07/28 2008/07/31 2008/08/11

QUALITY SYMBOLS =0 =0	GENERAL TOLERANCES (UNLESS SPECIFIED)	
	mm	INCH
	4 PLACES ±	±
	3 PLACES ±	±
2 PLACES ±	±	
1 PLACE ±	±	
ANGULAR ± 2 °		
DRAFT WHERE APPLICABLE MUST REMAIN WITHIN DIMENSIONS		

DIMENSION STYLE MM ONLY	
DRAWN BY	DATE
CA	1995/06/14
CHECKED BY	DATE
KN	1995/06/14
APPROVED BY	DATE
KN	1995/06/14
MATERIAL NO.	DOCUMENT NO.
	SDA-85009-0004

SCALE	DESIGN UNITS	THIRD ANGLE PROJECTION
2:1	METRIC	
TITLE 78POS. MALE DIN CONNECTOR DIN 41612 STYLE M		
MOLEX INCORPORATED		
SHEET NO.	SDA-85009-0004	
2 OF 2		

VIEW ON MATING SIDE

∩		C	C	C	C	C	C	C	C	C	C	C	C	C	C	C	C	C	C
∩		B	B	B	B	B	B	B	B	B	B	B	B	B	B	B	B	B	B
∩		A	A	A	A	A	A	A	A	A	A	A	A	A	A	A	A	A	A

∩
 ∩
 ∩

- A = 26 STANDARD CONTACTS L=3
- B = 26 STANDARD CONTACTS L=3
- C = 26 STANDARD CONTACTS L=3
- S = 78 TOTAL NUMBER OF CONTACTS

Marking	Standard
Performance level	G2/0 = Contact area level2 / Termination tin
Flux proof	no
Fixing clip	no
Dimensions	SDA-85009-0004 sht.1
Technical Data	PS-85003-0001

C	G2/0	c4-29
B	G2/0	b4-29
A	G2/0	a4-29

Contact symbol Perform. level
 Contact position number

see ECN No. 2204 96/07/18 Cd	REVISIONS			REVISIONS ONLY ON CAD SYSTEM		SH. REV.
	FOR PREVIOUS REVISIONS SEE MRI LIST			CAD/CAM PROJECT NAME s8500901 s11	THIS DRAWING CONTAINS INFORMATION THAT IS PROPRIETARY TO MOLEX INC. & SHOULD NOT BE USED WITHOUT WRITTEN PERMISSION	
LTR	REVISIONS			TITLE		SHEET NO. DATE 1 OF 1 95/06/09
				78 pos. Male connector acc. DIN 41612 style M contacts arrangement		
				PART NO. DWG NO.		SIZE
				MOLEX EUROPE		SDA-85009-0115 A
				85009-0115		

UNLESS OTHERWISE SPECIFIED TOLERANCES: ANGULAR ± 2°	DRWG BY Cc	SIGN	INCH	SCALE
			METRIC	
3 PLACE ± .	CHK'D BY	SIGN	±	MM
2 PLACE ± .	KN		±	
1 PLACE ± .	APP'D BY	SIGN	±	MM
DRAFT WHERE APPLICABLE MUST REMAIN WITHIN DIMENSIONS		DESIGN DIMENSION		
		EQUIVALENT DIMENSION		
		IF TWO DIMENSIONS ARE SHOWN, THE UPPER IS THE DESIGN DIMENSION, LOWER IS SECONDARY		



Компания «ЭлектроПласт» предлагает заключение долгосрочных отношений при поставках импортных электронных компонентов на взаимовыгодных условиях!

Наши преимущества:

- Оперативные поставки широкого спектра электронных компонентов отечественного и импортного производства напрямую от производителей и с крупнейших мировых складов;
- Поставка более 17-ти миллионов наименований электронных компонентов;
- Поставка сложных, дефицитных, либо снятых с производства позиций;
- Оперативные сроки поставки под заказ (от 5 рабочих дней);
- Экспресс доставка в любую точку России;
- Техническая поддержка проекта, помощь в подборе аналогов, поставка прототипов;
- Система менеджмента качества сертифицирована по Международному стандарту ISO 9001;
- Лицензия ФСБ на осуществление работ с использованием сведений, составляющих государственную тайну;
- Поставка специализированных компонентов (Xilinx, Altera, Analog Devices, Intersil, Interpoint, Microsemi, Aeroflex, Peregrine, Syfer, Eurofarad, Texas Instrument, Miteq, Cobham, E2V, MA-COM, Hittite, Mini-Circuits, General Dynamics и др.);

Помимо этого, одним из направлений компании «ЭлектроПласт» является направление «Источники питания». Мы предлагаем Вам помощь Конструкторского отдела:

- Подбор оптимального решения, техническое обоснование при выборе компонента;
- Подбор аналогов;
- Консультации по применению компонента;
- Поставка образцов и прототипов;
- Техническая поддержка проекта;
- Защита от снятия компонента с производства.



Как с нами связаться

Телефон: 8 (812) 309 58 32 (многоканальный)

Факс: 8 (812) 320-02-42

Электронная почта: org@eplast1.ru

Адрес: 198099, г. Санкт-Петербург, ул. Калинина, дом 2, корпус 4, литера А.