

FEATURES

- ESD Protection over $\pm 10\text{kV}$
($\pm 15\text{kV}$ IEC-1000-4-2 for LT1133A, LT1137A and LT1141A)
- Uses Small Capacitors: $0.1\mu\text{F}$, $0.2\mu\text{F}$
- $1\mu\text{A}$ Supply Current in SHUTDOWN
- 120kbaud Operation for $R_L = 3\text{k}$, $C_L = 2500\text{pF}$
- 250kbaud Operation for $R_L = 3\text{k}$, $C_L = 1000\text{pF}$
- CMOS Comparable Low Power
- Easy PC Layout: Flowthrough Architecture
- Rugged Bipolar Design: Absolutely No Latchup
- Outputs Assume a High Impedance State When Off or Powered Down
- Improved Protection: RS232 I/O Lines Can Be Forced to $\pm 30\text{V}$ Without Damage
- Output Overvoltage Does Not Force Current Back into Supplies
- Available in SO and SSOP Packages

DESCRIPTION

The LT[®]1130A/LT1140A series of RS232 drivers/receivers features special bipolar construction techniques which protect the drivers and receivers beyond the fault conditions stipulated for RS232. Driver outputs and receiver inputs can be shorted to $\pm 30\text{V}$ without damaging the device or the power supply generator. In addition, the RS232 I/O pins are resilient to multiple $\pm 10\text{kV}$ ESD strikes. An advanced driver output stage operates up to 250kbaud while driving heavy capacitive loads. Supply current is typically 12mA, competitive with CMOS devices.

Several members of the series include flexible operating mode controls. The DRIVER DISABLE pin disables the drivers and the charge pump, the ON/OFF pin shuts down all circuitry. While shut down, the drivers and receivers assume high impedance output states.

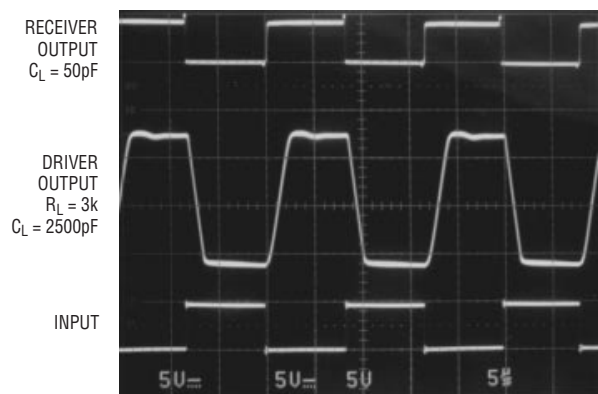
LT, LTC and LT are registered trademarks of Linear Technology Corporation.

TYPICAL APPLICATION

Basic Operation



Output Waveforms



- LT1130A 5-Driver/5-Receiver RS232 Transceiver
- LT1131A 5-Driver/4-Receiver RS232 Transceiver w/Shutdown
- LT1132A 5-Driver/3-Receiver RS232 Transceiver
- LT1133A 3-Driver/5-Receiver RS232 Transceiver
- LT1134A 4-Driver/4-Receiver RS232 Transceiver
- LT1135A 5-Driver/3-Receiver RS232 Transceiver w/o Charge Pump

- LT1136A 4-Driver/5-Receiver RS232 Transceiver w/Shutdown
- LT1137A 3-Driver/5-Receiver RS232 Transceiver w/Shutdown
- LT1138A 5-Driver/3-Receiver RS232 Transceiver w/Shutdown
- LT1139A 4-Driver/4-Receiver RS232 Transceiver w/Shutdown
- LT1140A 5-Driver/3-Receiver RS232 Transceiver w/o Charge Pump
- LT1141A 3-Driver/5-Receiver RS232 Transceiver w/o Charge Pump

LT1130A/LT1140A Series

ABSOLUTE MAXIMUM RATINGS (Note 1)

| | | | |
|-----------------------------------|------------------------------|--|----------------|
| Supply Voltage (V_{CC}) | 6V | Short-Circuit Duration | |
| V^+ | 13.2V | V^+ | 30 sec |
| V^- (Note 7) | -13.2V | V^- | 30 sec |
| Input Voltage | | Driver Output | Indefinite |
| Driver | V^- to V^+ | Receiver Output | Indefinite |
| Receiver | -30V to 30V | Operating Temperature Range | |
| On/Off Pin | -0.3V to 12V | LT113XAC/LT114XAC | 0°C to 70°C |
| Driver Disable Pin | -0.3V to ($V_{CC} + 0.3V$) | LT113XAI/LT114XAI | -40° to 85°C |
| Output Voltage | | Storage Temperature Range | -65°C to 150°C |
| Driver | -30V to 30V | Lead Temperature (Soldering, 10 sec) | 300°C |
| Receiver | -0.3V to ($V_{CC} + 0.3V$) | | |

PRODUCT SELECTION TABLE

| Part Number | Power Supply Voltages* | Shutdown | Driver Disable | Drivers | Receivers | External Components |
|-------------|------------------------|----------|----------------|---------|-----------|---------------------|
| LT1130A | 5 | No | No | 5 | 5 | 4 Capacitors |
| LT1131A | 5 | Yes | Yes | 5 | 4 | 4 Capacitors |
| LT1132A | 5 | No | No | 5 | 3 | 4 Capacitors |
| LT1133A** | 5 | No | No | 3 | 5 | 4 Capacitors |
| LT1134A | 5 | No | No | 4 | 4 | 4 Capacitors |
| LT1135A | 5, 12, -12 | No | No | 5 | 3 | None |
| LT1136A | 5 | Yes | Yes | 4 | 5 | 4 Capacitors |
| LT1137A** | 5 | Yes | Yes | 3 | 5 | 4 Capacitors |
| LT1138A | 5 | Yes | Yes | 5 | 3 | 4 Capacitors |
| LT1139A | 5, 12 | Yes | No | 4 | 4 | 2 Capacitors |
| LT1140A | 5, 12, -12 | Yes | Yes | 5 | 3 | None |
| LT1141A** | 5, 12, -12 | Yes | Yes | 3 | 5 | None |

*The LT1130A, LT1131A, LT1132A, LT1134A, LT1136A, LT1137A and LT1138A can operate with 5V and 12V supplies and two external capacitors.

**Meets $\pm 15kV$ ESD air gap discharge and $\pm 8kV$ contact methods per IEC-1000-4-2.

PACKAGE/ORDER INFORMATION

| 5-DRIVER/5-RECEIVER | ORDER PART NUMBER | 5-DRIVER/4-RECEIVER WITH SHUTDOWN | ORDER PART NUMBER |
|--|---|--|----------------------------------|
| <p>NW PACKAGE: 28-LEAD PDIP SW PACKAGE: 28-LEAD PLASTIC SO WIDE</p> <p>$T_{JMAX} = 150^{\circ}C, \theta_{JA} = 56^{\circ}C/W$ (NW) $T_{JMAX} = 150^{\circ}C, \theta_{JA} = 68^{\circ}C/W$ (SW)</p> | <p>LT1130ACNW LT1130ACSW LT1130AISW</p> | <p>NW PACKAGE: 28-LEAD PDIP SW PACKAGE: 28-LEAD PLASTIC SO WIDE</p> <p>$T_{JMAX} = 150^{\circ}C, \theta_{JA} = 56^{\circ}C/W$ (NW) $T_{JMAX} = 150^{\circ}C, \theta_{JA} = 68^{\circ}C/W$ (SW)</p> | <p>LT1131ACNW LT1131ACSW</p> |

PACKAGE/ORDER INFORMATION

| | | | |
|--|--|---|--|
| <p>5-DRIVER/3-RECEIVER</p> <p>TOP VIEW</p> <p>Pinout for LT1132A:</p> <ul style="list-style-type: none"> 1: V⁺ 2: 5V V_{CC} 3: C1⁺ 4: C1⁻ 5: DRIVER OUT 6: DRIVER OUT 7: RX IN 8: DRIVER OUT 9: DRIVER OUT 10: RX IN 11: DRIVER OUT 12: RX IN 13: GND 14: RX OUT 15: DRIVER IN 16: RX OUT 17: DRIVER IN 18: DRIVER IN 19: RX OUT 20: DRIVER IN 21: DRIVER IN 22: C2⁺ 23: C2⁻ 24: V⁻ <p>N PACKAGE: 24-LEAD PDIP SW PACKAGE: 24-LEAD PLASTIC SO WIDE</p> <p>T_{JMAX} = 150°C, θ_{JA} = 58°C/W (N) T_{JMAX} = 150°C, θ_{JA} = 80°C/W (SW)</p> | <p>ORDER PART NUMBER</p> <p>LT1132ACN LT1132ACSW LT1132AISW</p> | <p>3-DRIVER/5-RECEIVER</p> <p>TOP VIEW</p> <p>Pinout for LT1133A:</p> <ul style="list-style-type: none"> 1: V⁺ 2: 5V V_{CC} 3: C1⁺ 4: C1⁻ 5: DRIVER OUT 6: RX IN 7: DRIVER OUT 8: RX IN 9: RX IN 10: RX IN 11: DRIVER OUT 12: RX IN 13: GND 14: RX OUT 15: DRIVER IN 16: RX OUT 17: RX OUT 18: RX OUT 19: DRIVER IN 20: RX OUT 21: DRIVER IN 22: C2⁺ 23: C2⁻ 24: V⁻ <p>N PACKAGE: 24-LEAD PDIP SW PACKAGE: 24-LEAD PLASTIC SO WIDE</p> <p>T_{JMAX} = 150°C, θ_{JA} = 58°C/W (N) T_{JMAX} = 150°C, θ_{JA} = 80°C/W (SW)</p> | <p>ORDER PART NUMBER</p> <p>LT1133ACN LT1133ACSW LT1133AISW</p> |
| <p>4-DRIVER/4-RECEIVER</p> <p>TOP VIEW</p> <p>Pinout for LT1134A:</p> <ul style="list-style-type: none"> 1: V⁺ 2: 5V V_{CC} 3: C1⁺ 4: C1⁻ 5: DRIVER OUT 6: RX IN 7: DRIVER OUT 8: RX IN 9: DRIVER OUT 10: RX IN 11: DRIVER OUT 12: RX IN 13: GND 14: RX OUT 15: DRIVER IN 16: RX OUT 17: DRIVER IN 18: RX OUT 19: DRIVER IN 20: RX OUT 21: DRIVER IN 22: C2⁺ 23: C2⁻ 24: V⁻ <p>N PACKAGE: 24-LEAD PDIP SW PACKAGE: 24-LEAD PLASTIC SO WIDE</p> <p>T_{JMAX} = 150°C, θ_{JA} = 58°C/W (N) T_{JMAX} = 150°C, θ_{JA} = 80°C/W (SW)</p> | <p>ORDER PART NUMBER</p> <p>LT1134ACN LT1134ACSW LT1134AIN LT1134AISW</p> | <p>5-DRIVER/3-RECEIVER WITHOUT CHARGE PUMP</p> <p>TOP VIEW</p> <p>Pinout for LT1135A:</p> <ul style="list-style-type: none"> 1: 12V V⁺ 2: 5V V_{CC} 3: DRIVER OUT 4: DRIVER OUT 5: RX IN 6: DRIVER OUT 7: DRIVER OUT 8: RX IN 9: DRIVER OUT 10: RX IN 11: GND 12: RX OUT 13: DRIVER IN 14: RX OUT 15: DRIVER IN 16: DRIVER IN 17: RX OUT 18: DRIVER IN 19: DRIVER IN 20: -12V V⁻ <p>N PACKAGE: 20-LEAD PDIP SW PACKAGE: 20-LEAD PLASTIC SO WIDE</p> <p>T_{JMAX} = 150°C, θ_{JA} = 79°C/W (N) T_{JMAX} = 150°C, θ_{JA} = 85°C/W (SW)</p> | <p>ORDER PART NUMBER</p> <p>LT1135ACN LT1135ACSW</p> |
| <p>4-DRIVER/5-RECEIVER WITH SHUTDOWN</p> <p>TOP VIEW</p> <p>Pinout for LT1136A:</p> <ul style="list-style-type: none"> 1: V⁺ 2: 5V V_{CC} 3: C1⁺ 4: C1⁻ 5: DRIVER OUT 6: RX IN 7: DRIVER OUT 8: RX IN 9: DRIVER OUT 10: RX IN 11: DRIVER OUT 12: RX IN 13: RX IN 14: ON/OFF 15: DRIVER DISABLE 16: GND 17: RX OUT 18: RX OUT 19: DRIVER IN 20: RX OUT 21: DRIVER IN 22: RX OUT 23: DRIVER IN 24: RX OUT 25: DRIVER IN 26: C2⁺ 27: C2⁻ 28: V⁻ <p>NW PACKAGE: 28-LEAD PDIP SW PACKAGE: 28-LEAD PLASTIC SO WIDE</p> <p>T_{JMAX} = 150°C, θ_{JA} = 56°C/W (NW) T_{JMAX} = 150°C, θ_{JA} = 68°C/W (SW)</p> | <p>ORDER PART NUMBER</p> <p>LT1136ACNW LT1136ACSW</p> | <p>3-DRIVER/5-RECEIVER WITH SHUTDOWN</p> <p>TOP VIEW</p> <p>Pinout for LT1137A:</p> <ul style="list-style-type: none"> 1: V⁺ 2: 5V V_{CC} 3: C1⁺ 4: C1⁻ 5: DRIVER OUT 6: RX IN 7: DRIVER OUT 8: RX IN 9: RX IN 10: RX IN 11: DRIVER OUT 12: RX IN 13: ON/OFF 14: NC 15: NC 16: DRIVER DISABLE 17: GND 18: RX OUT 19: DRIVER IN 20: RX OUT 21: RX OUT 22: RX OUT 23: DRIVER IN 24: RX OUT 25: DRIVER IN 26: C2⁺ 27: C2⁻ 28: V⁻ <p>G PACKAGE: 28-LEAD PLASTIC SSOP NW PACKAGE: 28-LEAD PDIP SW PACKAGE: 28-LEAD PLASTIC SO WIDE</p> <p>T_{JMAX} = 150°C, θ_{JA} = 96°C/W (G) T_{JMAX} = 150°C, θ_{JA} = 56°C/W (NW) T_{JMAX} = 150°C, θ_{JA} = 68°C/W (SW)</p> | <p>ORDER PART NUMBER</p> <p>LT1137ACG LT1137ACNW LT1137ACSW LT1137AIG LT1137AINW LT1137AISW</p> |

LT1130A/LT1140A Series

PACKAGE/ORDER INFORMATION

| | | | |
|--|--|---|---|
| <p>5-DRIVER/3-RECEIVER WITH SHUTDOWN</p> <p>TOP VIEW</p> <p>G PACKAGE 28-LEAD PLASTIC SSOP NW PACKAGE 28-LEAD PDIP SW PACKAGE 28-LEAD PLASTIC SO WIDE</p> <p>$T_{JMAX} = 150^{\circ}\text{C}$, $\theta_{JA} = 96^{\circ}\text{C/W}$ (G) $T_{JMAX} = 150^{\circ}\text{C}$, $\theta_{JA} = 56^{\circ}\text{C/W}$ (NW) $T_{JMAX} = 150^{\circ}\text{C}$, $\theta_{JA} = 68^{\circ}\text{C/W}$ (SW)</p> | <p>ORDER PART NUMBER</p> <p>LT1138ACG LT1138ACNW LT1138ACSW LT1138AIG</p> | <p>4-DRIVER/4-RECEIVER WITH SHUTDOWN WITH 12V AND 5V SUPPLIES</p> <p>TOP VIEW</p> <p>N PACKAGE 24-LEAD PDIP SW PACKAGE 24-LEAD PLASTIC SO WIDE</p> <p>$T_{JMAX} = 150^{\circ}\text{C}$, $\theta_{JA} = 58^{\circ}\text{C/W}$ (N) $T_{JMAX} = 150^{\circ}\text{C}$, $\theta_{JA} = 80^{\circ}\text{C/W}$ (SW)</p> | <p>ORDER PART NUMBER</p> <p>LT1139ACN LT1139ACSW</p> |
| <p>5-DRIVER/3-RECEIVER WITH SHUTDOWN WITHOUT CHARGE PUMP</p> <p>TOP VIEW</p> <p>N PACKAGE 24-LEAD PDIP SW PACKAGE 24-LEAD PLASTIC SO WIDE</p> <p>$T_{JMAX} = 150^{\circ}\text{C}$, $\theta_{JA} = 58^{\circ}\text{C/W}$ (N) $T_{JMAX} = 150^{\circ}\text{C}$, $\theta_{JA} = 80^{\circ}\text{C/W}$ (SW)</p> | <p>ORDER PART NUMBER</p> <p>LT1140ACN LT1140ACSW</p> | <p>3-DRIVER/5-RECEIVER WITH SHUTDOWN WITHOUT CHARGE PUMP</p> <p>TOP VIEW</p> <p>N PACKAGE 24-LEAD PDIP SW PACKAGE 24-LEAD PLASTIC SO WIDE</p> <p>$T_{JMAX} = 150^{\circ}\text{C}$, $\theta_{JA} = 58^{\circ}\text{C/W}$ (N) $T_{JMAX} = 150^{\circ}\text{C}$, $\theta_{JA} = 80^{\circ}\text{C/W}$ (SW)</p> | <p>ORDER PART NUMBER</p> <p>LT1141ACN LT1141ACSW</p> |

Consult factory for Industrial and Military grade parts.

ELECTRICAL CHARACTERISTICS

The ● denotes the specifications which apply over the full operating temperature range, otherwise specifications are at $T_A = 25^{\circ}\text{C}$. (Note 2)

| PARAMETER | CONDITIONS | MIN | TYP | MAX | UNITS |
|---|--|-----|------|-----|-------|
| Power Supply Generator | | | | | |
| V^+ Output | | | 8.6 | | V |
| V^- Output | | | -7.8 | | V |
| 5V V_{CC} Supply Current: LT1130A, LT1131A, LT1132A, LT1133A, LT1134A, LT1136A, LT1138A | (Note 3) | ● | 15 | 25 | mA |
| 5V V_{CC} Supply Current: LT1135A, LT1140A, LT1141A | (Note 3), $V^+ = 12\text{V}$, $V^- = -12\text{V}$ | ● | 8 | 15 | mA |
| 5V V_{CC} Supply Current: LT1137A | (Note 3) | ● | 12 | 17 | mA |
| 5V V_{CC} Supply Current: LT1139A | (Note 3), $V^+ = 12\text{V}$ | ● | 8 | 15 | mA |
| 12V V^+ Supply Current: LT1135A, LT1140A, LT1141A | (Note 3), $V^- = -12\text{V}$ | ● | 1 | 4 | mA |
| 12V V^+ Supply Current: LT1139A | (Note 3) | ● | 6 | 10 | mA |
| -12V V^- Supply Current: LT1135A, LT1140A, LT1141A | (Note 3) $V^+ = 12\text{V}$ | ● | 2 | 6 | mA |

ELECTRICAL CHARACTERISTICS

The ● denotes the specifications which apply over the full operating temperature range, otherwise specifications are at $T_A = 25^\circ\text{C}$. (Note 2)

| PARAMETER | CONDITIONS | | MIN | TYP | MAX | UNITS |
|---|--|--------|------------|-------------|------------|--------------------------------------|
| Supply Current when OFF (V_{CC}) | Shutdown (Note 4) Driver Disable | ● | | 1 4 | 10 | μA mA |
| Supply Rise Time Shutdown to Turn-On | $C_1, C_2, C^+, C^- = 1.0\mu\text{F}$ $C^+, C^- = 0.1\mu\text{F}, C_1, C_2 = 0.2\mu\text{F}$ | | | 2.0 0.2 | | ms ms |
| ON/OFF Pin Thresholds | Input Low Level (Device Shut Down) Input High Level (Device Enabled) | ● ● | | 1.4 1.4 | 0.8 | V V |
| ON/OFF Pin Current | $0\text{V} \leq V_{\text{ON/OFF}} \leq 5\text{V}$ | ● | -15 | | 80 | μA |
| DRIVER DISABLE Pin Thresholds | Input Low Level (Drivers Enabled) Input High Level (Drivers Disabled) | ● ● | | 1.4 1.4 | 0.8 | V V |
| DRIVER DISABLE Pin Current | $0\text{V} \leq V_{\text{DRIVER DISABLE}} \leq 5\text{V}$ | ● | -10 | | 500 | μA |
| Oscillator Frequency | | | | 130 | | kHz |
| Any Driver | | | | | | |
| Output Voltage Swing | Load = 3k to GND Positive Negative | ● ● | 5 | 7.3 -6.5 | -5 | V V |
| Logic Input Voltage Level | Input Low Level ($V_{\text{OUT}} = \text{High}$) Input High Level ($V_{\text{OUT}} = \text{Low}$) | ● ● | | 1.4 1.4 | 0.8 | V V |
| Logic Input Current | $0.8\text{V} \leq V_{\text{IN}} \leq 2\text{V}$ | ● | | 5 | 20 | μA |
| Output Short-Circuit Current | $V_{\text{OUT}} = 0\text{V}$ | | ± 9 | ± 17 | | mA |
| Output Leakage Current | Shutdown $V_{\text{OUT}} = \pm 30\text{V}$ (Note 4) | ● | | 10 | 100 | μA |
| Data Rate | $R_L = 3\text{k}, C_L = 2500\text{pF}$ $R_L = 3\text{k}, C_L = 1000\text{pF}$ | | 120 250 | | | kbaud kbaud |
| Slew Rate | $R_L = 3\text{k}, C_L = 51\text{pF}$ $R_L = 3\text{k}, C_L = 2500\text{pF}$ (Note 8) | | | 15 6 | 30 | V/ μs V/ μs |
| Propagation Delay | Output Transition t_{HL} High to Low (Note 5) Output Transition t_{LH} Low to High | | | 0.6 0.5 | 1.3 1.3 | μs μs |
| Any Receiver | | | | | | |
| Input Voltage Thresholds | Input Low Threshold ($V_{\text{OUT}} = \text{High}$) Input High Threshold ($V_{\text{OUT}} = \text{Low}$) | ● ● | 0.8 | 1.3 1.7 | 2.4 | V V |
| Hysteresis | | ● | 0.1 | 0.4 | 1 | V |
| Input Resistance | $-10\text{V} < V_{\text{IN}} < 10\text{V}$ | | 3 | 5 | 7 | $\text{k}\Omega$ |
| Output Voltage | Output Low, $I_{\text{OUT}} = -1.6\text{mA}$ Output High, $I_{\text{OUT}} = 160\mu\text{A}$ ($V_{\text{CC}} = 5\text{V}$) | ● ● | 3.5 | 0.2 4.2 | 0.4 | V V |
| Output Leakage Current | Shutdown (Note 4) $0 \leq V_{\text{OUT}} \leq V_{\text{CC}}$ | ● | | 1 | 10 | μA |
| Output Short-Circuit Current | Sinking Current, $V_{\text{OUT}} = V_{\text{CC}}$ Sourcing Current, $V_{\text{OUT}} = 0\text{V}$ | | 10 | -20 20 | -10 | mA mA |
| Propagation Delay | Output Transition t_{HL} High to Low (Note 6) Output Transition t_{LH} Low to High | | | 250 350 | 600 600 | ns ns |

Note 1: Absolute Maximum Ratings are those values beyond which the life of the device may be impaired.

Note 2: Testing done at $V_{\text{CC}} = 5\text{V}$ and $V_{\text{ON/OFF}} = 3\text{V}$.

Note 3: Supply current is measured with driver and receiver outputs unloaded and the driver inputs tied high.

Note 4: Supply current and driver leakage current measurements in shutdown are performed with $V_{\text{ON/OFF}} = 0.1\text{V}$. Supply current measurements using DRIVER DISABLE are performed with $V_{\text{DRIVER DISABLE}} = 3\text{V}$. For LT1135, LT1139, LT1140 and LT1141 with 12V supplies, V_{OUT} leakage is $200\mu\text{A}$ for V_{OUT} forced to $\pm 25\text{V}$.

Note 5: For driver delay measurements, $R_L = 3\text{k}$ and $C_L = 51\text{pF}$. Trigger points are set between the driver's input logic threshold and the output transition to the zero crossing ($t_{\text{HL}} = 1.4\text{V}$ to 0V and $t_{\text{LH}} = 1.4\text{V}$ to 0V).

Note 6: For receiver delay measurements, $C_L = 51\text{pF}$. Trigger points are set between the receiver's input logic threshold and the output transition to standard TTL/CMOS logic threshold ($t_{\text{HL}} = 1.3\text{V}$ to 2.4V and $t_{\text{LH}} = 1.7\text{V}$ to 0.8V).

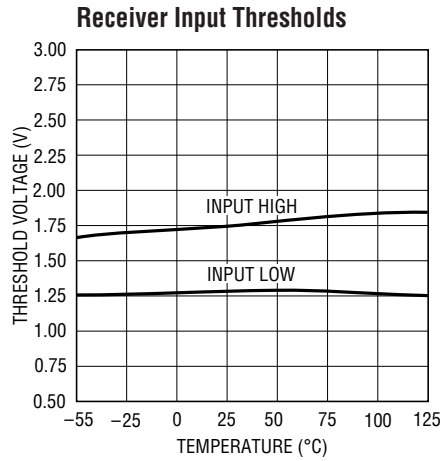
Note 7: For LT1133A/LT1137A, absolute maximum externally applied $V^- = -6.5\text{V}$. Internal charge pump will drive this pin to a higher negative voltage.

Note 8: For LT1137A, $4\text{V}/\mu\text{s}$ minimum.

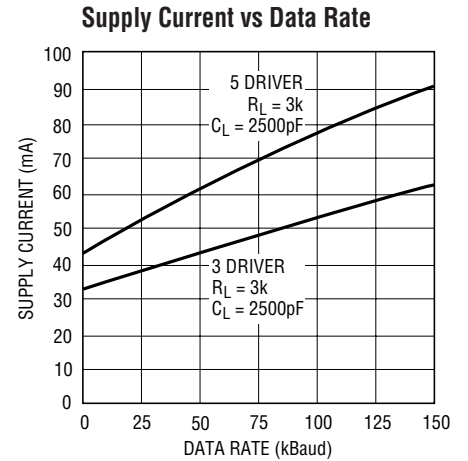
TYPICAL PERFORMANCE CHARACTERISTICS



LT1130A • TPC01



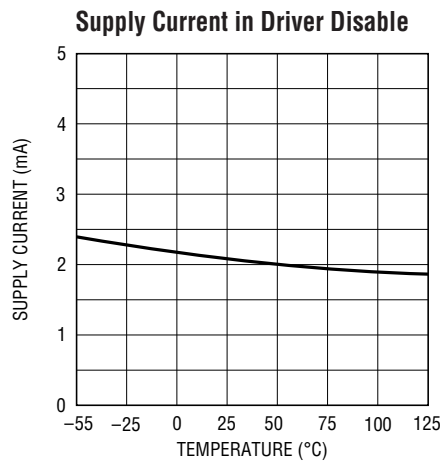
LT1137A • TPC02



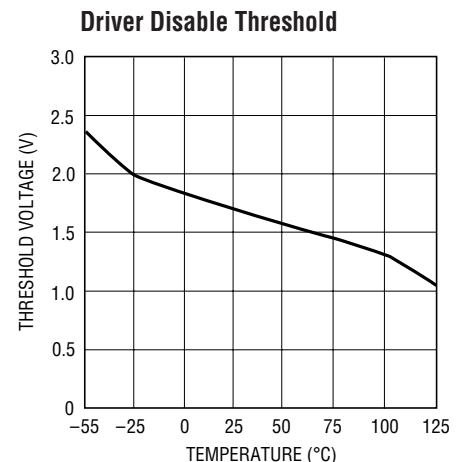
LT1130A • TPC03



LT1137A • TPC04



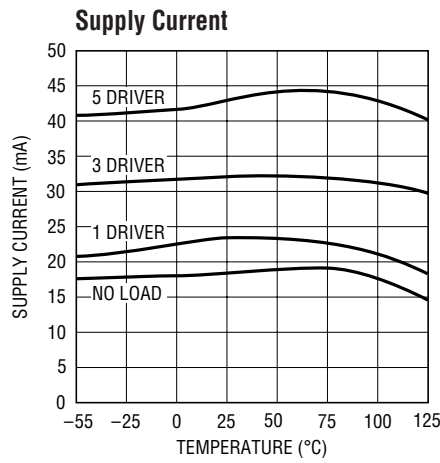
LT1137A • TPC05



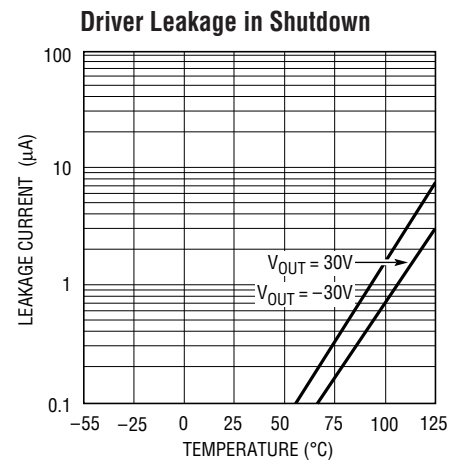
LT1137A • TPC06



LT1137A • TPC07

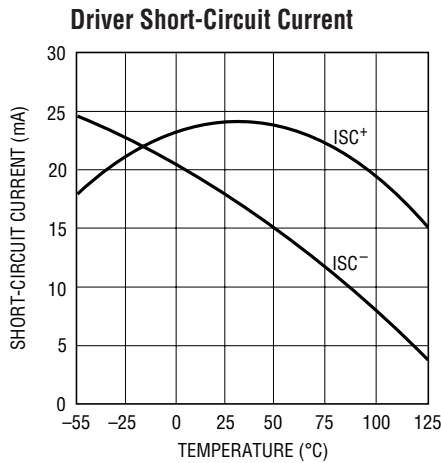


LT1130A • TPC08

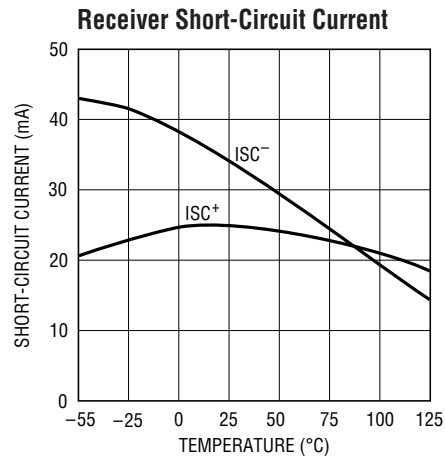


LT1137A • TPC09

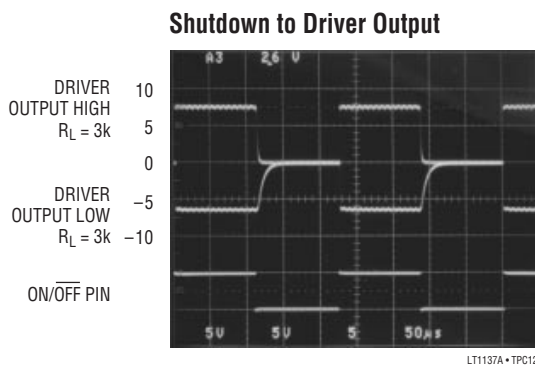
TYPICAL PERFORMANCE CHARACTERISTICS



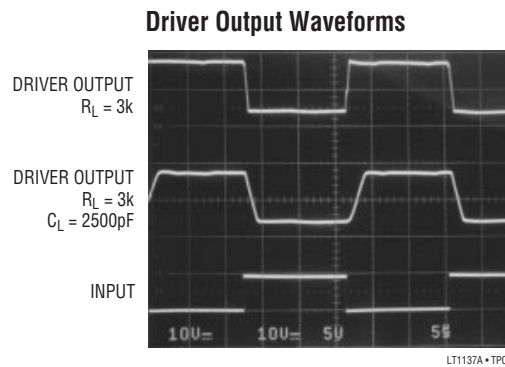
LT1137A • TPC10



LT1137A • TPC11



LT1137A • TPC12



LT1137A • TPC13

PIN FUNCTIONS

V_{CC}: 5V Input Supply Pin. Supply current drops to zero in the shutdown mode. This pin should be decoupled with a 0.1µF ceramic capacitor close to the package pin. Insufficient supply bypassing can result in low output drive levels and erratic charge pump operation.

GND: Ground Pin.

ON/OFF: Control the operation mode of the device and is TTL/CMOS compatible. A logic low puts the device in the shutdown mode which reduces input supply current to zero and places all of the drivers and receivers in high impedance state. A logic high fully enables the transceiver.

DRIVER DISABLE: This pin provides an alternate control for the charge pump and RS232 drivers. A logic high on this pin shuts down the charge pump and places all drivers

in a high impedance state. Receivers remain active under these conditions. Floating the DRIVER DISABLE pin or driving it to a logic low level fully enables the transceiver. A logic low on the ON/OFF pin supersedes the state of the DRIVER DISABLE pin. Supply current drops to 4mA when in driver disable mode.

V⁺: Positive Supply Output (RS232 Drivers). $V^+ \approx 2V_{CC} - 1.5V$. This pin requires an external charge storage capacitor $C \geq 1.0\mu F$, tied to ground or V_{CC} . Larger value capacitors may be used to reduce supply ripple. With multiple transceivers, the V^+ and V^- pins may be paralleled into common capacitors. For large numbers of transceivers, increasing the size of the shared common storage capacitors is recommended to reduce ripple.

LT1130A/LT1140A Series

PIN FUNCTIONS

V⁻: Negative Supply Output (RS232 Drivers). $V^- \approx -(2V_{CC} - 2.5V)$. This pin requires an external charge storage capacitor $C \geq 0.1\mu F$. V^- is short-circuit proof for 30 seconds.

C1⁺, C1⁻, C2⁺, C2⁻: Commutating Capacitor Inputs. These pins require two external capacitors $C \geq 0.2\mu F$: one from C1⁺ to C1⁻, and another from C2⁺ to C2⁻. To maintain charge pump efficiency, the capacitor's effective series resistance should be less than 2Ω . For $C \geq 1\mu F$, low ESR tantalum capacitors work well in this application, although small value ceramic capacitors may be used with a minimal reduction in charge pump compliance. In applications where larger positive voltages are available, such as 12V, C1 may be omitted and the positive voltage may be connected directly to the C1⁺ pin. In this mode of operation, the V⁺ pin should be decoupled with a $0.1\mu F$ ceramic capacitor.

DRIVER IN: RS232 Driver Input Pins. These inputs are TTL/CMOS compatible. Inputs should not be allowed to float. Tie unused inputs to V_{CC} .

DRIVER OUT: Driver Outputs at RS232 Voltage Levels. Driver output swing meets RS232 levels for loads up to 3k.

Slew rates are controlled for lightly loaded lines. Output current capability is sufficient for load conditions up to 2500pF. Outputs are in a high impedance state when in shutdown mode, $V_{CC} = 0V$, or when the DRIVER DISABLE pin is active. Outputs are fully short-circuit protected from $V^- + 30V$ to $V^+ - 30V$. Applying higher voltages will not damage the device if the overdrive is moderately current limited. Short circuits on one output can load the power supply generator and may disrupt the signal levels of the other outputs. The driver outputs are protected against ESD to $\pm 10kV$ for human body model discharges.

RX IN: Receiver Inputs. These pins accept RS232 level signals ($\pm 30V$) into a protected 5k terminating resistor. The receiver inputs are protected against ESD to $\pm 10kV$ for human body model discharges. Each receiver provides 0.4V of hysteresis for noise immunity. Open receiver inputs assume a logic low state.

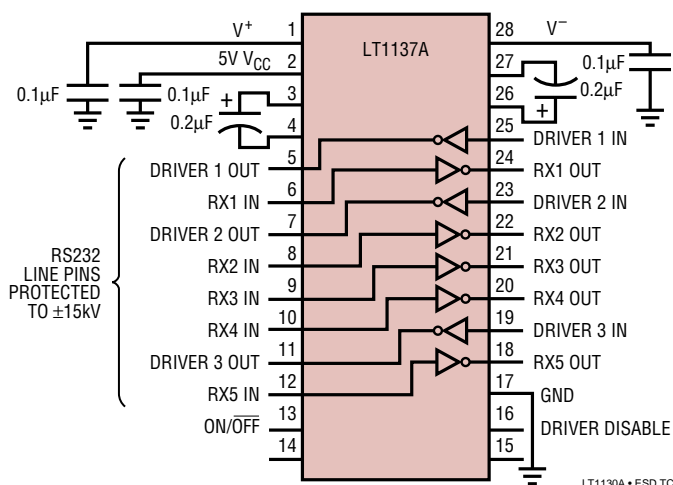
RX OUT: Receiver Outputs with TTL/CMOS Voltage Levels. Outputs are in a high impedance state when in shutdown mode to allow data line sharing. Outputs are fully short-circuit protected to ground or V_{CC} with the power on, off, or in shutdown mode.

ESD PROTECTION

The RS232 line inputs of the LT1130A/LT1140A series of RS232 Driver/Receivers have on-chip protection from ESD transients up to $\pm 10kV$. The protection structures act to divert the static discharge safely to system ground. In order for the ESD protection to function effectively, the power supply and ground pins of the LT1130A/LT1140A must be connected to ground through low impedances. The power supply decoupling capacitors and charge pump storage capacitors provide this low impedance in normal application of the circuit. The only constraint is that low ESR capacitors must be used for bypassing and charge storage. ESD testing must be done with pins V_{CC} , V^+ , V^- and GND shorted to ground or connected with low ESR capacitors.

The ESD protection on the LT1133A, LT1137A and LT1141A meets $\pm 15kV$ air gap discharge and $\pm 8kV$ contact methods per IEC-1000-4-2.

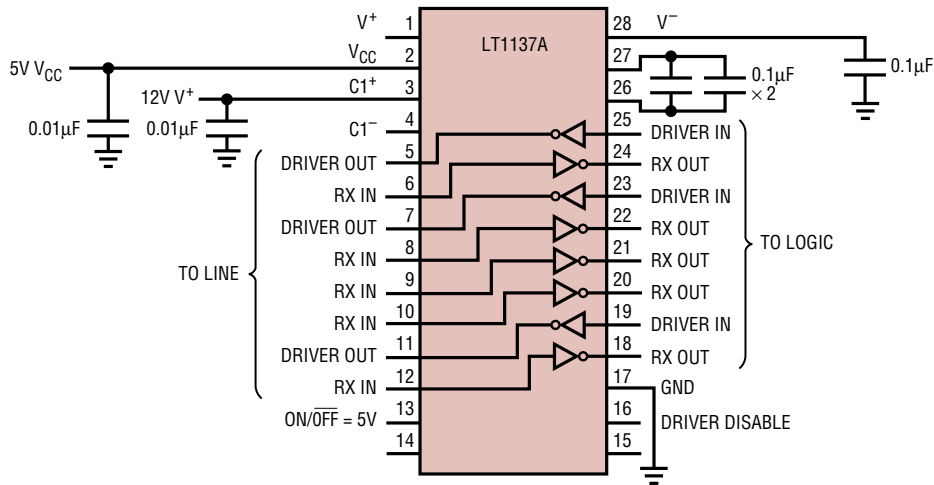
ESD Test Circuit



LT1130A • ESD TC

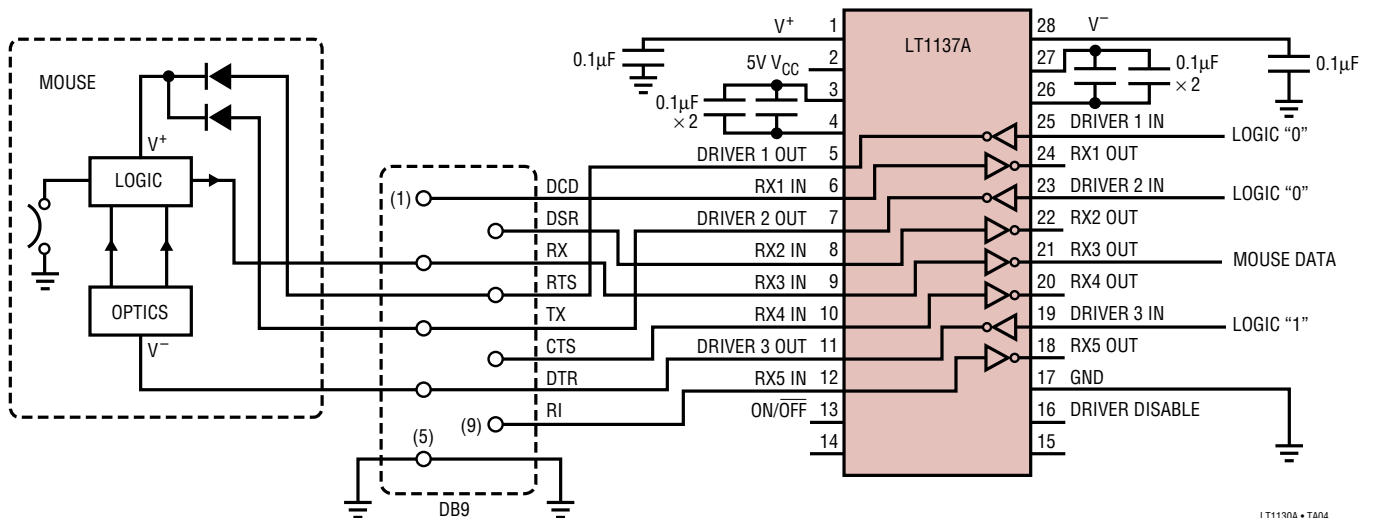
TYPICAL APPLICATIONS

Operation Using 5V and 12V Power Supplies



LT1130A • TA03

Typical Mouse Driving Application



LT1130A • TA04

PACKAGE DESCRIPTION Dimensions in inches (millimeters) unless otherwise noted.

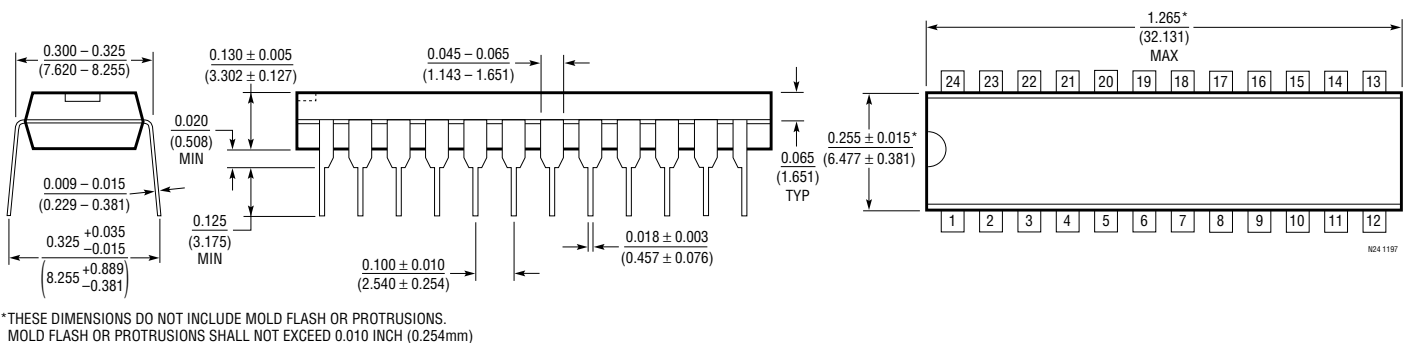
G Package 28-Lead Plastic SSOP (0.209) (LTC DWG # 05-08-1640)



N Package 20-Lead PDIP (Narrow 0.300) (LTC DWG # 05-08-1510)

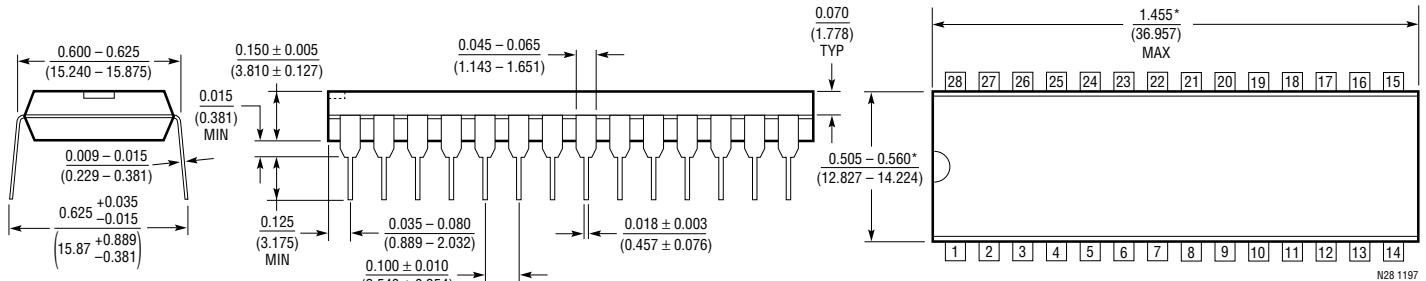


N Package 24-Lead PDIP (Narrow 0.300) (LTC DWG # 05-08-1510)



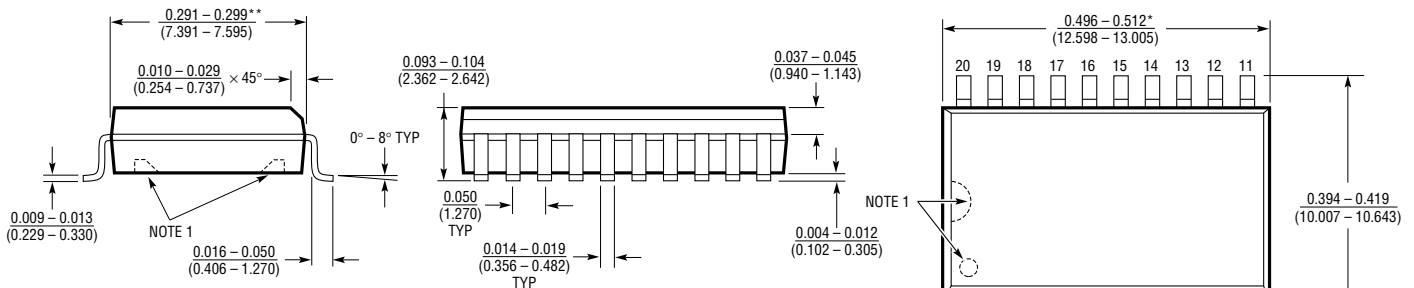
PACKAGE DESCRIPTION Dimensions in inches (millimeters) unless otherwise noted.

NW Package 28-Lead PDIP (Wide 0.600) (LTC DWG # 05-08-1520)



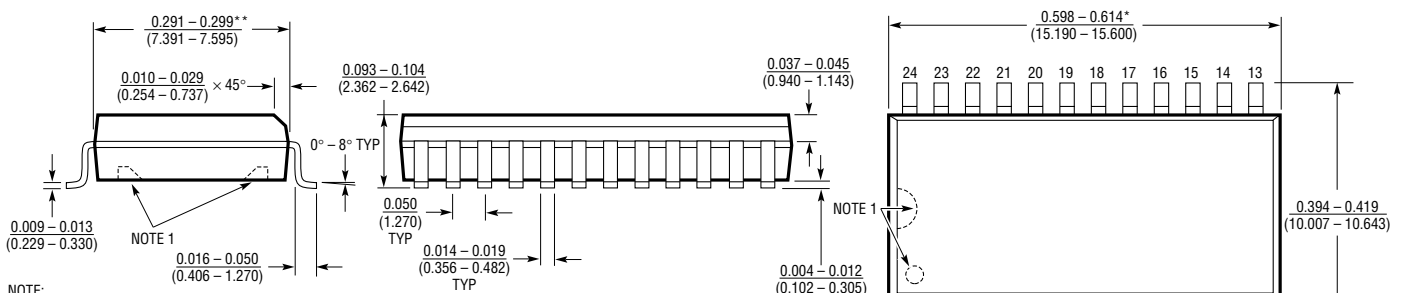
*THESE DIMENSIONS DO NOT INCLUDE MOLD FLASH OR PROTRUSIONS.
MOLD FLASH OR PROTRUSIONS SHALL NOT EXCEED 0.010 INCH (0.254mm)

SW Package 20-Lead Plastic Small Outline (Wide 0.300) (LTC DWG # 05-08-1620)



NOTE:
1. PIN 1 IDENT, NOTCH ON TOP AND CAVITIES ON THE BOTTOM OF PACKAGES ARE THE MANUFACTURING OPTIONS.
THE PART MAY BE SUPPLIED WITH OR WITHOUT ANY OF THE OPTIONS
*DIMENSION DOES NOT INCLUDE MOLD FLASH. MOLD FLASH SHALL NOT EXCEED 0.006" (0.152mm) PER SIDE
**DIMENSION DOES NOT INCLUDE INTERLEAD FLASH. INTERLEAD FLASH SHALL NOT EXCEED 0.010" (0.254mm) PER SIDE

SW Package 24-Lead Plastic Small Outline (Wide 0.300) (LTC DWG # 05-08-1620)

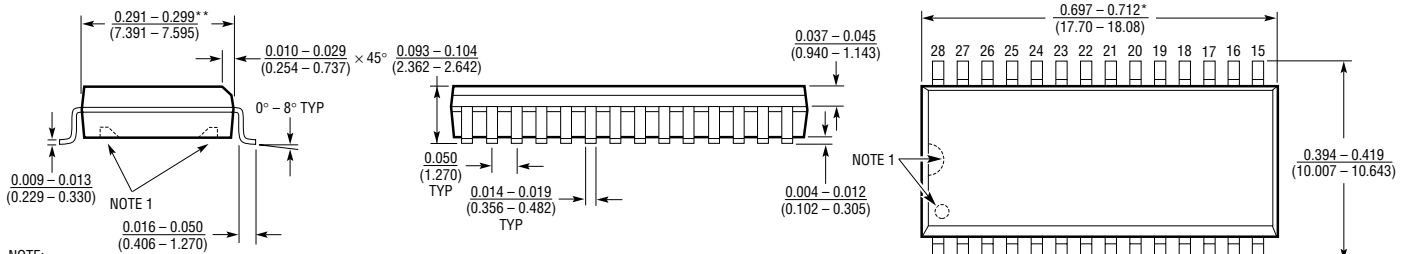


NOTE:
1. PIN 1 IDENT, NOTCH ON TOP AND CAVITIES ON THE BOTTOM OF PACKAGES ARE THE MANUFACTURING OPTIONS.
THE PART MAY BE SUPPLIED WITH OR WITHOUT ANY OF THE OPTIONS
*DIMENSION DOES NOT INCLUDE MOLD FLASH. MOLD FLASH SHALL NOT EXCEED 0.006" (0.152mm) PER SIDE
**DIMENSION DOES NOT INCLUDE INTERLEAD FLASH. INTERLEAD FLASH SHALL NOT EXCEED 0.010" (0.254mm) PER SIDE

LT1130A/LT1140A Series

PACKAGE DESCRIPTION Dimensions in inches (millimeters) unless otherwise noted.

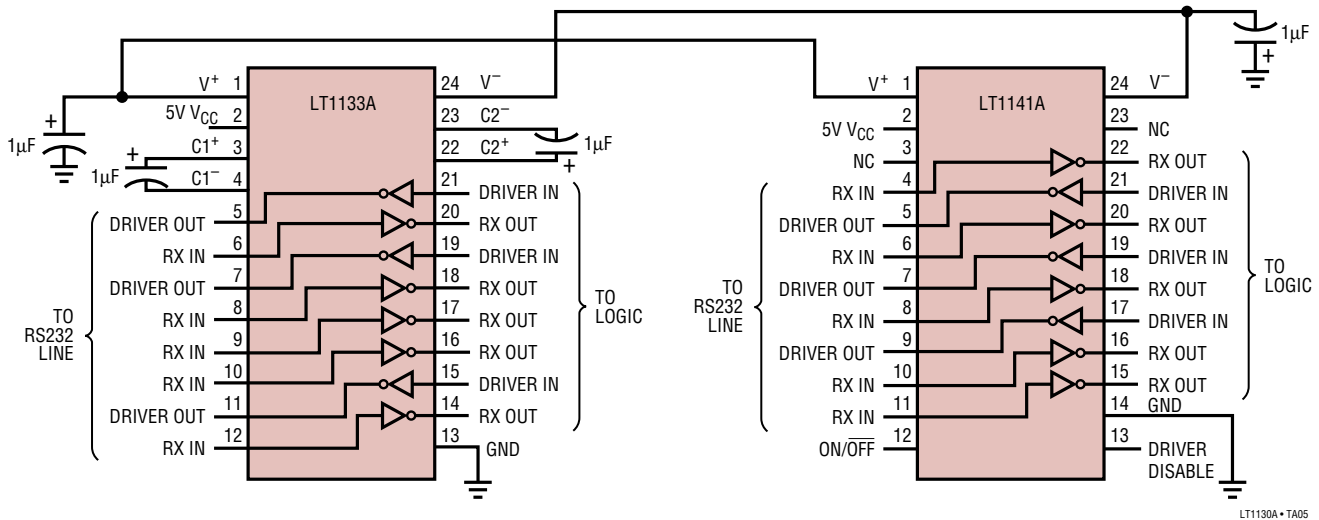
SW Package 28-Lead Plastic Small Outline (Wide 0.300) (LTC DWG # 05-08-1620)



NOTE:
1. PIN 1 IDENT, NOTCH ON TOP AND CAVITIES ON THE BOTTOM OF PACKAGES ARE THE MANUFACTURING OPTIONS. THE PART MAY BE SUPPLIED WITH OR WITHOUT ANY OF THE OPTIONS
*DIMENSION DOES NOT INCLUDE MOLD FLASH. MOLD FLASH SHALL NOT EXCEED 0.006" (0.152mm) PER SIDE
**DIMENSION DOES NOT INCLUDE INTERLEAD FLASH. INTERLEAD FLASH SHALL NOT EXCEED 0.010" (0.254mm) PER SIDE

TYPICAL APPLICATION

Sharing Power Supply Generator with a Second Transceiver



LT1130A • TA05

RELATED PARTS

| PART NUMBER | DESCRIPTION | COMMENTS |
|-----------------|--|--|
| LT1180A/LT1181A | 2-Driver/2-Receiver RS232 Transceivers | Single 5V Supply with 0.1µF Capacitors |
| LT1237 | 3-Driver/5-Receiver RS232 Transceiver | Lower Power Upgrade for LT1137A |
| LTC1327 | 3-Driver/5-Receiver RS562 Transceiver | 3.3V Operation |
| LTC1337 | 3-Driver/5-Receiver RS232 Transceiver | Ultralow Power for DTE Applications |
| LTC1338 | 5-Driver/3-Receiver RS232 Transceiver | Ultralow Power for DCE Applications |
| LTC1348 | 3-Driver/5-Receiver RS232 Transceiver | 3.3V to 5V Operation |



Компания «ЭлектроПласт» предлагает заключение долгосрочных отношений при поставках импортных электронных компонентов на взаимовыгодных условиях!

Наши преимущества:

- Оперативные поставки широкого спектра электронных компонентов отечественного и импортного производства напрямую от производителей и с крупнейших мировых складов;
- Поставка более 17-ти миллионов наименований электронных компонентов;
- Поставка сложных, дефицитных, либо снятых с производства позиций;
- Оперативные сроки поставки под заказ (от 5 рабочих дней);
- Экспресс доставка в любую точку России;
- Техническая поддержка проекта, помощь в подборе аналогов, поставка прототипов;
- Система менеджмента качества сертифицирована по Международному стандарту ISO 9001;
- Лицензия ФСБ на осуществление работ с использованием сведений, составляющих государственную тайну;
- Поставка специализированных компонентов (Xilinx, Altera, Analog Devices, Intersil, Interpoint, Microsemi, Aeroflex, Peregrine, Syfer, Eurofarad, Texas Instrument, Miteq, Cobham, E2V, MA-COM, Hittite, Mini-Circuits, General Dynamics и др.);

Помимо этого, одним из направлений компании «ЭлектроПласт» является направление «Источники питания». Мы предлагаем Вам помощь Конструкторского отдела:

- Подбор оптимального решения, техническое обоснование при выборе компонента;
- Подбор аналогов;
- Консультации по применению компонента;
- Поставка образцов и прототипов;
- Техническая поддержка проекта;
- Защита от снятия компонента с производства.



Как с нами связаться

Телефон: 8 (812) 309 58 32 (многоканальный)

Факс: 8 (812) 320-02-42

Электронная почта: org@eplast1.ru

Адрес: 198099, г. Санкт-Петербург, ул. Калинина, дом 2, корпус 4, литера А.