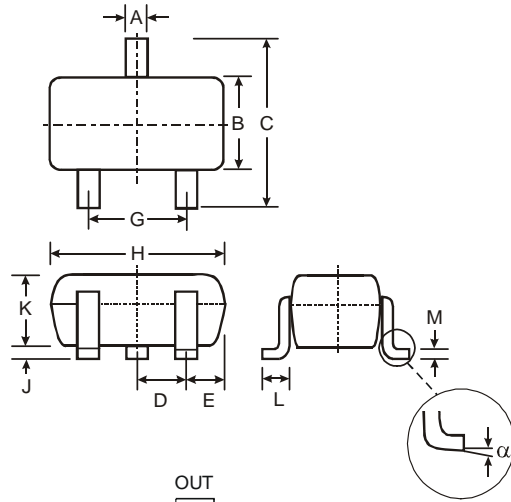


Features

- Epitaxial Planar Die Construction
- Complementary PNP Types Available (DDTB)
- Built-In Biasing Resistors, R1, R2
- **Lead Free/RoHS Compliant Version (Note 2)**
- "Green" Device, Note 3 and 4

Mechanical Data

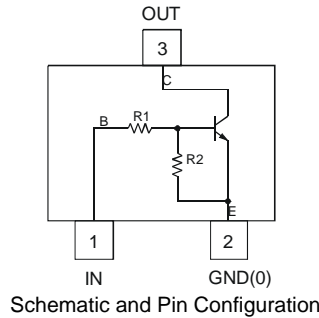
- Case: SOT-323
- Case Material: Molded Plastic, "Green" Molding Compound, Note 4. UL Flammability Classification Rating 94V-0
- Moisture Sensitivity: Level 1 per J-STD-020C
- Terminals: Solderable per MIL-STD-202, Method 208
- Terminal Connections: See Diagram
- Lead Free Plating (Matte Tin Finish annealed over Alloy 42 leadframe).
- Marking Information: See Table Below & Page 3
- Ordering Information: See Page 3
- Weight: 0.006 grams (approximate)



| SOT-323 | | |
|----------|--------------|------|
| Dim | Min | Max |
| A | 0.25 | 0.40 |
| B | 1.15 | 1.35 |
| C | 2.00 | 2.20 |
| D | 0.65 Nominal | |
| E | 0.30 | 0.40 |
| G | 1.20 | 1.40 |
| H | 1.80 | 2.20 |
| J | 0.0 | 0.10 |
| K | 0.90 | 1.00 |
| L | 0.25 | 0.40 |
| M | 0.10 | 0.18 |
| α | 0° | 8° |

All Dimensions in mm

| P/N | R1 (NOM) | R2 (NOM) | MARKING |
|-----------|----------|----------|---------|
| DDTD113EU | 1K | 1K | N60 |
| DDTD123EU | 2.2K | 2.2K | N61 |
| DDTD143EU | 4.7K | 4.7K | N62 |
| DDTD114EU | 10K | 10K | N63 |
| DDTD122JU | 0.22K | 4.7K | N64 |
| DDTD113ZU | 1K | 10K | N65 |
| DDTD123YU | 2.2K | 10K | N66 |
| DDTD133HU | 3.3K | 10K | N67 |
| DDTD123TU | 2.2K | OPEN | N69 |
| DDTD143TU | 4.7K | OPEN | N70 |
| DDTD114TU | 10K | OPEN | N71 |
| DDTD114GU | 0 | 10K | N72 |



Maximum Ratings @T_A = 25°C unless otherwise specified

| Characteristic | Symbol | Value | Unit |
|--|-----------------------------------|---|------|
| Supply Voltage, (3) to (2) | V _{CC} | 50 | V |
| Input Voltage, (1) to (2) | V _{IN} | -10 to +10 -10 to +12 -10 to +30 -10 to +40 -5 to +5 -5 to +10 -5 to +12 -6 to +20 | V |
| Input Voltage, (2) to (1) | V _{EBO (MAX)} | 5 | V |
| Output Current | I _C | 500 | mA |
| Power Dissipation | P _d | 200 | mW |
| Thermal Resistance, Junction to Ambient Air (Note 1) | R _{θJA} | 625 | °C/W |
| Operating and Storage Temperature Range | T _j , T _{STG} | -55 to +150 | °C |

- Notes:
1. Mounted on FR4 PC Board with recommended pad layout at <http://www.diodes.com/datasheets/ap02001.pdf>.
 2. No purposefully added lead.
 3. Diodes Inc.'s "Green" policy can be found on our website at http://www.diodes.com/products/lead_free/index.php.
 4. Product manufactured with Date Code 0627 (week 27, 2006) and newer are built with Green Molding Compound. Product manufactured prior to Date Code 0627 are built with Non-Green Molding Compound and may contain Halogens or Sb2O3 Fire Retardants.

Electrical Characteristics @T_A = 25°C unless otherwise specified

R1, R2 Types

| Characteristic | | Symbol | Min | Typ | Max | Unit | Test Condition |
|-------------------------|--|---------------------|--|-----|--|------|--|
| Input Voltage | DDTD113EU DDTD123EU DDTD143EU DDTD114EU DDTD122JU DDTD113ZU DDTD123YU DDTD133HU | V _{I(off)} | 0.5 0.5 0.5 0.5 0.5 0.3 0.3 0.3 | — | — | V | V _{CC} = 5V, I _O = 100μA |
| | DDTD113EU DDTD123EU DDTD143EU DDTD114EU DDTD122JU DDTD113ZU DDTD123YU DDTD133HU | V _{I(on)} | — | — | 3.0 3.0 3.0 3.0 3.0 2.0 2.0 2.0 | V | V _O = 0.3V, I _O = 20mA V _O = 0.3V, I _O = 20mA V _O = 0.3V, I _O = 20mA V _O = 0.3V, I _O = 10mA V _O = 0.3V, I _O = 30mA V _O = 0.3V, I _O = 20mA V _O = 0.3V, I _O = 20mA V _O = 0.3V, I _O = 20mA |
| Output Voltage | | V _{O(on)} | — | — | 0.3V | V | I _O /I _I = 50mA/2.5mA |
| Input Current | DDTD113EU DDTD123EU DDTD143EU DDTD114EU DDTD122JU DDTD113ZU DDTD123YU DDTD133HU | I _I | — | — | 7.2 3.8 1.8 0.88 28 7.2 3.6 2.4 | mA | V _I = 5V |
| Output Current | | I _{O(off)} | — | — | 0.5 | μA | V _{CC} = 50V, V _I = 0V |
| DC Current Gain | DDTD113EU DDTD123EU DDTD143EU DDTD114EU DDTD122JU DDTD113ZU DDTD123YU DDTD133HU | G _I | 33 39 47 56 47 56 56 56 | — | — | — | V _O = 5V, I _O = 50mA |
| Gain-Bandwidth Product* | | f _T | — | 200 | — | MHz | V _{CE} = 10V, I _E = 5mA, f = 100MHz |

* Transistor - For Reference Only

Electrical Characteristics @T_A = 25°C unless otherwise specified

R1-Only, R2-Only Types

| Characteristic | | Symbol | Min | Typ | Max | Unit | Test Condition |
|--------------------------------------|--|----------------------|-------------------------|------------------------|--------------------------|------|---|
| Collector-Base Breakdown Voltage | | BV _{CBO} | 50 | — | — | V | I _C = 50μA |
| Collector-Emitter Breakdown Voltage | | BV _{CEO} | 40 | — | — | V | I _C = 1mA |
| Emitter-Base Breakdown Voltage | DDTD123TU DDTD143TU DDTD114TU DDTD114GU | BV _{EBO} | 5 | — | — | V | I _E = 50μA I _E = 50μA I _E = 50μA I _E = 720μA |
| Collector Cutoff Current | | I _{CBO} | — | — | 0.5 | μA | V _{CB} = 50V |
| Emitter Cutoff Current | DDTD123TU DDTD143TU DDTD114TU DDTD114GU | I _{EBO} | — — — 300 | — | 0.5 0.5 0.5 580 | μA | V _{EB} = 4V |
| Collector-Emitter Saturation Voltage | | V _{CE(sat)} | — | — | 0.3 | V | I _C = 50mA, I _B = 2.5mA |
| DC Current Transfer Ratio | DDTD123TU DDTD143TU DDTD114TU DDTD114GU | h _{FE} | 100 100 100 56 | 250 250 250 — | 600 600 600 — | — | I _C = 5mA, V _{CE} = 5V |
| Gain-Bandwidth Product* | | f _T | — | 200 | — | MHz | V _{CE} = 10V, I _E = -5mA, f = 100MHz |

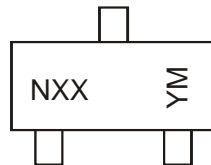
* Transistor - For Reference Only

Ordering Information (Note 4 & 5)

| Device | Packaging | Shipping |
|---------------|-----------|------------------|
| DDTD113EU-7-F | SOT-323 | 3000/Tape & Reel |
| DDTD123EU-7-F | SOT-323 | 3000/Tape & Reel |
| DDTD143EU-7-F | SOT-323 | 3000/Tape & Reel |
| DDTD114EU-7-F | SOT-323 | 3000/Tape & Reel |
| DDTD122JU-7-F | SOT-323 | 3000/Tape & Reel |
| DDTD113ZU-7-F | SOT-323 | 3000/Tape & Reel |
| DDTD123YU-7-F | SOT-323 | 3000/Tape & Reel |
| DDTD133HU-7-F | SOT-323 | 3000/Tape & Reel |
| DDTD123TU-7-F | SOT-323 | 3000/Tape & Reel |
| DDTD143TU-7-F | SOT-323 | 3000/Tape & Reel |
| DDTD114TU-7-F | SOT-323 | 3000/Tape & Reel |
| DDTD114GU-7-F | SOT-323 | 3000/Tape & Reel |

Notes: 5. For packaging details, go to our website at <http://www.diodes.com/datasheets/ap02007.pdf>.

Marking Information



NXX = Product Type Marking Code
 YM = Date Code Marking
 Y = Year ex: T = 2006
 M = Month ex: 9 = September

Date Code Key

| Year | 2002 | 2003 | 2004 | 2005 | 2006 | 2007 | 2008 | 2009 | 2010 | 2011 | 2012 |
|------|------|------|------|------|------|------|------|------|------|------|------|
| Code | N | P | R | S | T | U | V | W | X | Y | Z |

| Month | Jan | Feb | Mar | Apr | May | Jun | Jul | Aug | Sep | Oct | Nov | Dec |
|-------|-----|-----|-----|-----|-----|-----|-----|-----|-----|-----|-----|-----|
| Code | 1 | 2 | 3 | 4 | 5 | 6 | 7 | 8 | 9 | O | N | D |

IMPORTANT NOTICE

Diodes Incorporated and its subsidiaries reserve the right to make modifications, enhancements, improvements, corrections or other changes without further notice to any product herein. Diodes Incorporated does not assume any liability arising out of the application or use of any product described herein; neither does it convey any license under its patent rights, nor the rights of others. The user of products in such applications shall assume all risks of such use and will agree to hold Diodes Incorporated and all the companies whose products are represented on our website, harmless against all damages.

LIFE SUPPORT

Diodes Incorporated products are not authorized for use as critical components in life support devices or systems without the expressed written approval of the President of Diodes Incorporated.



Компания «ЭлектроПласт» предлагает заключение долгосрочных отношений при поставках импортных электронных компонентов на взаимовыгодных условиях!

Наши преимущества:

- Оперативные поставки широкого спектра электронных компонентов отечественного и импортного производства напрямую от производителей и с крупнейших мировых складов;
- Поставка более 17-ти миллионов наименований электронных компонентов;
- Поставка сложных, дефицитных, либо снятых с производства позиций;
- Оперативные сроки поставки под заказ (от 5 рабочих дней);
- Экспресс доставка в любую точку России;
- Техническая поддержка проекта, помощь в подборе аналогов, поставка прототипов;
- Система менеджмента качества сертифицирована по Международному стандарту ISO 9001;
- Лицензия ФСБ на осуществление работ с использованием сведений, составляющих государственную тайну;
- Поставка специализированных компонентов (Xilinx, Altera, Analog Devices, Intersil, Interpoint, Microsemi, Aeroflex, Peregrine, Syfer, Eurofarad, Texas Instrument, Miteq, Cobham, E2V, MA-COM, Hittite, Mini-Circuits, General Dynamics и др.);

Помимо этого, одним из направлений компании «ЭлектроПласт» является направление «Источники питания». Мы предлагаем Вам помощь Конструкторского отдела:

- Подбор оптимального решения, техническое обоснование при выборе компонента;
- Подбор аналогов;
- Консультации по применению компонента;
- Поставка образцов и прототипов;
- Техническая поддержка проекта;
- Защита от снятия компонента с производства.



Как с нами связаться

Телефон: 8 (812) 309 58 32 (многоканальный)

Факс: 8 (812) 320-02-42

Электронная почта: org@eplast1.ru

Адрес: 198099, г. Санкт-Петербург, ул. Калинина, дом 2, корпус 4, литера А.